

RANGE HOOD

OWNER'S MANUAL

PHILCO



Famous for Quality the World Over

PEI 729 TCD

PEI 619 TG

PEI 619 TCG

**Dear customer,
Thank you for buying a PHILCO brand product. So that your appliance serves you well, please read all the instructions in this user's manual.**

CONTENTS

PART 1: IMPORTANT SAFETY INSTRUCTIONS.....	2
Cautions.....	2
Lamp.....	4
PART 2: DESCRIPTION OF THE APPLIANCE	5
PART 3: INSTALLATION	8
Use.....	8
Electrical connection	9
Mounting	9
Installation Step.....	10
PART 4: OPERATION.....	13
4 speeds 5 keys Touch control.....	13
4 speeds Electronic switch.....	14
PART 5: MAINTENANCE AND CLEANING.....	15
PART 6: BEFORE YOU CALL THE SERVICE CENTRE	16

PART 1: IMPORTANT SAFETY INSTRUCTIONS

Closely follow the instructions set out in this manual. All responsibility, for any eventual inconveniences, damages or fires caused by not complying with the instructions in this manual, is declined. The hood is conceived for the suction of cooking fumes and steam and is destined only for domestic use.

- ! It is important to conserve this booklet for consultation at any moment. In the case of sale, cession or move, make sure it is together with the product.
- ! Read the instructions carefully: there is important information about installation, use and safety.
- ! Do not carry out electrical or mechanical variations on the product or on the discharge conduits.
- ! Before proceeding with the installation of the appliance verify that there are no damaged all components. Otherwise contact your dealer and do not proceed with the installation.

Note: the elements marked with the symbol "(*)" are optional accessories supplied only with some models or elements to purchase, not supplied.



Cautions

Before any cleaning or maintenance operation, disconnect hood from the mains by removing the plug or disconnecting the mains electrical supply.

Always wear work gloves for all installation and maintenance operations.

This appliance can be used by children aged from 8 years and above and persons with reduced physical, sensory or mental capabilities or lack of experience and knowledge if they have been given supervision or instruction concerning use of the appliance in a safe way and understand the hazards involved.

Children shall not be allowed to tamper with the controls or play with the appliance.

Cleaning and user maintenance shall not be made by children without supervision.

The premises where the appliance is installed must be sufficiently ventilated, when the kitchen hood is used together with other gas combustion devices or other fuels.

The hood must be regularly cleaned on both the inside and outside (at least once a month).

This must be completed in accordance with the maintenance instructions provided in this manual. Failure to follow the instructions provided in this user guide regarding the cleaning of the hood and filters will lead to the risk of fires. The flaming of foods beneath the hood itself is severely prohibited.

The use of exposed flames is detrimental to the filters and may cause a fire risk, and must therefore be avoided in all circumstances.

Any frying must be done with care in order to make sure that the oil does not overheat and ignite.

CAUTION: Accessible parts of the hood may become hot when used with cooking appliances.

For lamp replacement use only lamp type indicated in the Maintenance/Replacing lamps section of this manual.

WARNING! Do not connect the appliance to the mains until the installation is fully complete.

With regards to the technical and safety measures to be adopted for fume discharging it is important to closely follow the regulations provided by the local authorities.

The ducting system for this appliance must not be connected to any existing ventilation system which is being used for any other purpose such as discharging exhaust fumes from appliances burning gas or other fuels.

Do not use or leave the hood without the lamp correctly mounted due to the possible risk of electric shocks.

Never use the hood without effectively mounted grids.

The hood must NEVER be used as a support surface unless specifically indicated.


Use only the fixing screws supplied with the product for installation or, if not supplied, purchase the correct screws type.

Use the correct length for the screws which are identified in the Installation Guide.

In case of doubt, consult an authorised service assistance centre or similar qualified person.

This appliance is marked according to the European directive 2012/19/EC on Waste Electrical and Electronic Equipment (WEEE). By ensuring this product is disposed of correctly, you will help prevent potential negative consequences for the environment and human health, which could otherwise be caused by inappropriate waste handling of this product.



The symbol  on the product, or on the documents accompanying the product, indicates that this appliance may not be treated as household waste. Instead it should be taken to the appropriate collection point for the recycling of electrical and electronic equipment. Disposal must be carried out in accordance with local environmental regulations for waste disposal.

For further detailed information regarding the process, collection and recycling of this product, please contact the appropriate department of your local authorities or the local department for household waste or the shop where you purchased this product.

Appliance designed, tested and manufactured according to:

- Safety: EN 60335-1; EN 60335-2-31, EN 62233.
- Performance: EN 61591; EN 60704-1; EN 60704-2-13; EN 50564
- EMC: EN 55014-1; EN 55014-2; EN 61000-3-2; EN 61000-3-3.

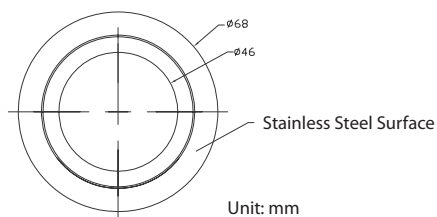
Suggestions for a correct use in order to reduce the environmental impact: Switch ON the hood at minimum speed when you start cooking and kept it running for few minutes after cooking is finished. Increase the speed only in case of large amount of smoke and vapour and use boost speed(s) only in extreme situations. Replace the charcoal filter(s) when necessary to maintain a good odour reduction efficiency. Clean the grease filter(s) when necessary to maintain a good grease filter efficiency. Use the maximum diameter of the ducting system indicated in this manual to optimize efficiency and minimize noise.

Lamp

The available lamps and the correspondence ILCOS D codes and lamp pictures:

Use type lamp (or use in alternative type lamp) DSR-1.5-S-68 (ILCOS D code in according to standard IEC61231).

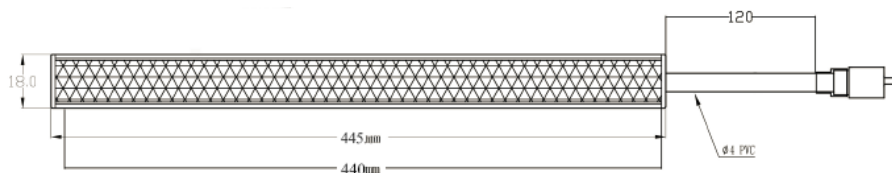
- Self-ballasted fluorescent reflector lamp – Integral induction type ballast
- Max wattage: 1.5 W
- Voltage range: 12 V
- Dimensions:



The available lamps and the correspondence ILCOS D codes and lamp pictures:

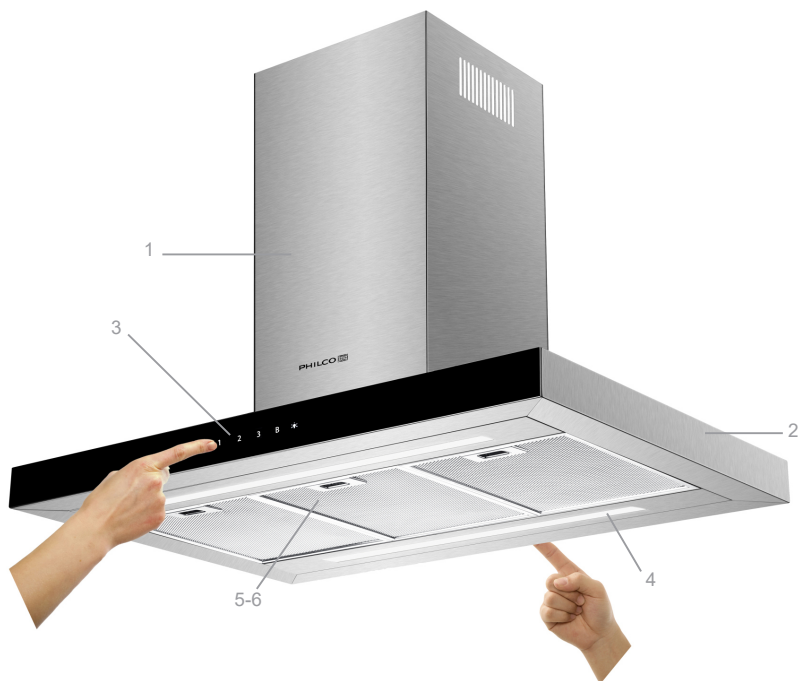
Use type lamp (or use in alternative type lamp) DBR-8-H-445 (ILCOS D code in according to standard IEC61231).

- Self-ballasted fluorescent reflector lamp –Integral induction type ballast
- Max wattage: 8W
- Voltage range: 220-240V~50Hz
- Dimensions:

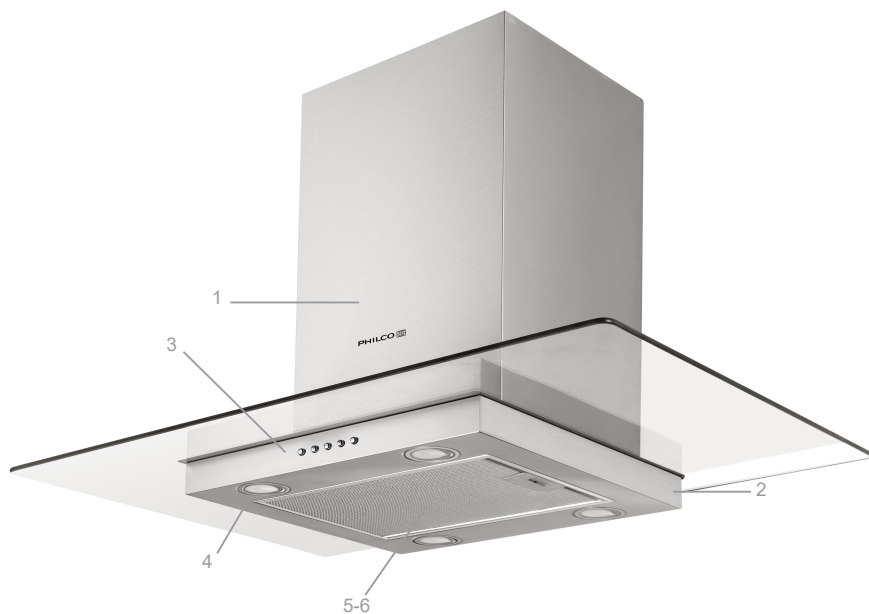


We recommend that you contact the authorized PHILCO service center to replace the LED lighting.

PART 2: DESCRIPTION OF THE APPLIANCE



1. Chimney
2. Casing
3. Touch Control Panel
4. LED Lamp
5. Grease filter
6. Motor



1. Chimney
2. Casing
3. Electronic Switch
4. LED Lamp
5. Grease filter
6. Motor

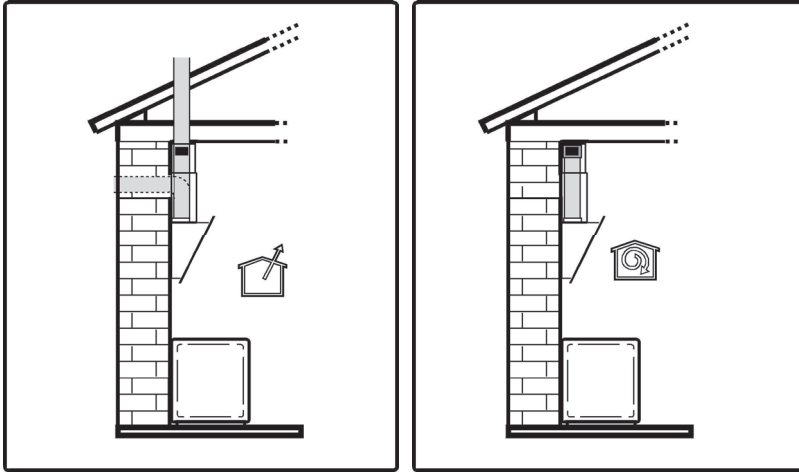


1. Chimney
2. Casing
3. Electronic Switch
4. LED Lamp
5. Grease filter
6. Motor

PART 3: INSTALLATION

Use

The hood is designed to be used either for exhausting or filter version.



Ducting version

In this case the fumes are conveyed outside of the building by means of a special pipe connected with the connection ring located on top of the hood.

Attention! The exhausting pipe is supplied.

Diameter of the exhausting pipe must be equal to that of the connection ring.

Attention! The charcoal filter is not supplied. If the hood is supplied with active charcoal filter, then it must be removed.

Connect the hood and discharge holes on the walls with a diameter equivalent to the air outlet (connection flange).

Using the tubes and discharge holes on walls with smaller dimensions will cause a diminution of the suction performance and a drastic increase in noise.

Any responsibility in the matter is therefore declined.

! Use a duct of the minimum indispensable length.

! Use a duct with as few elbows as possible (maximum elbow angle: 90°).

! Avoid drastic changes in the duct cross-section.



Filter version

The aspirated air will be degreased and deodorised before being fed back into the room.

In order to use the hood in this version, you have to install a system of additional filtering based on activated charcoal.

Attention! The charcoal filter is not supplied and must be purchased apart.

Electrical connection

The mains power supply must correspond to the rating indicated on the plate situated inside the hood. If provided with a plug connect the hood to a socket in compliance with current regulations and positioned in an accessible area, after installation. If it not fitted with a plug (direct mains connection) or if the plug is not located in an accessible area, after installation, apply a double pole switch in accordance with standards which assures the complete disconnection of the mains under conditions relating to over-current category III, in accordance with installation instructions.

Warning! Before re-connecting the hood circuit to the mains supply and checking the efficient function, always check that the mains cable is correctly assembled.

The hood is provided with a special power cable ; if the cable is damaged, request a new one from Technical Service.

Mounting

Before beginning installation:

- Check that the product purchased is of a suitable size for the chosen installation area.
- Remove the charcoal filter/s if supplied. This/these is/are to be mounted only if you want to use the hood in the filtering version.
- Check (for transport reasons) that there is no other supplied material inside the hood (e.g. packets with screws, owner's manual, etc.), eventually removing them and keeping them.
- Remove the tape on the vent.
- Turn the unit off and unplug it from the outlet.

In the case of the presence of panels and/or walls and/or lateral wall units check that there is sufficient space to install the hood and that access to the command panel is easy.

Expansion wall plugs are provided to secure the hood to most types of walls/ceilings. However, a qualified technician must verify suitability of the materials in accordance with the type of wall/ceiling. The wall/ceiling must be strong enough to take the weight of the hood. **Do not tile, grout or silicone this appliance to the wall. Surface mounting only.**

The minimum distance between the supporting surface for the cooking equipment on the hob and the lowest part of the range hood must be not less than 45cm from electric cookers and 55cm from gas or mixed cookers. If the instructions for installation for the gas hob specify a greater distance, this must be adhered to.

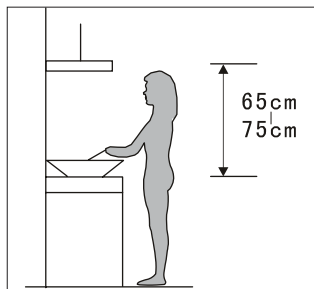
Only for some models

An aesthetic flue can be purchased as an optional accessory. Check with the authorized dealer whether the model in your possession envisages this possibility.

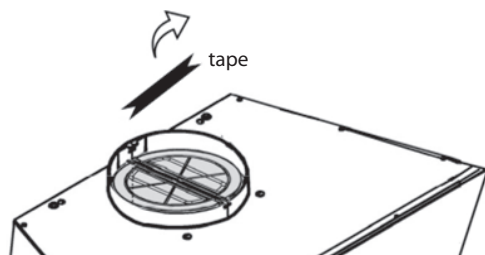
We advise installing the hood after having purchased the flue to check with certainty the most suitable installation.

Installation Step

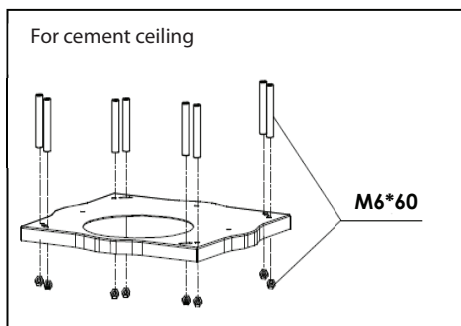
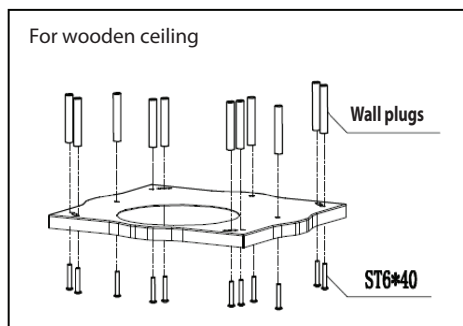
- The cooker hood should be installed so that there is a space of 650-750mm from the centre of the mesh grease filters to the hob. It is the manufacturer of the hob who determines the clearance required and the clearance quoted by the hob manufacturer must be followed. In the absence of any instructions supplied with a gas hob the minimum distance between the hob and the hood must be at least 760mm.



- Double check the tape on the vent has been removed.



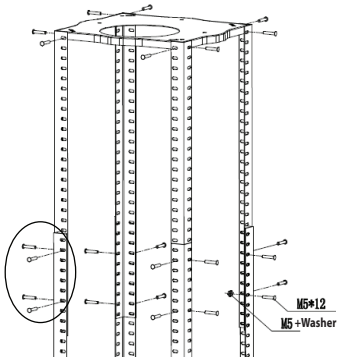
- Position the hanging plate on the ceiling and then mark the position of the screw holes. The hanging plate should be securely fixed to the ceiling, 11 x ST6 x 40 mm screws for wooden ceiling (11 x wall plugs is optional, fix or not fix are acceptable.) 8 x expansion bolts (M6*60) for cement ceiling



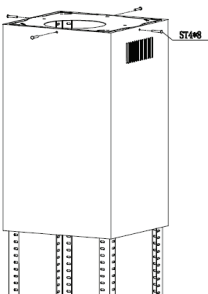
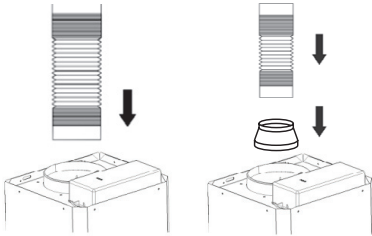
- Fix the angle bars to the hanging plate, using the 8 x M5 screws and nuts. Extend the angle bars to the required height and then fix them in position using the 16 x M5 screws and nuts with metal washers.

IMPORTANT: The angle bars must have an overlap of AT LEAST 100 mm.

IMPORTANT: The metal washers should be added in this step. (Washers 0.8*5.2*10, 16pcs.)



- When you choose the ducting version, place the exhausting pipe (Ø150-Ø153mm, supplied) on the hood. The head Ø153mm would connect to the hood. If you need to use the Ø120-Ø123mm pipe, you can place the adapter(not supplied) firstly. When you choose the filter version, no need the exhausting pipe.



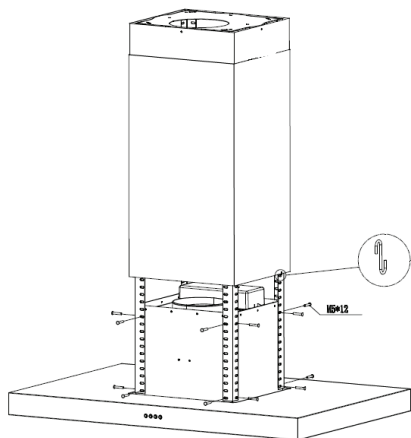
- Slide the lower chimney section onto the angle bars and raise it until it sits just below the upper chimney section. Then lift up the lower chimney and set it with the S hanging hook, in order to convenient for the following assemble.

Noted: make sure the extraction holes can be covered by the lower chimney.

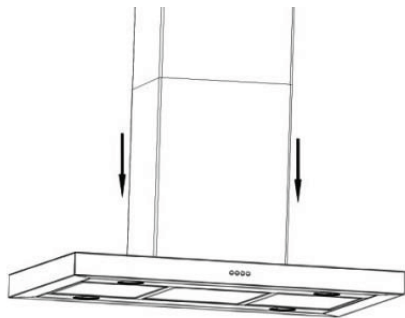
Lift the main body of the cooker hood onto the angle bar and then fix it into position using the 16 x M5 screws.

IMPORTANT: This stage of the installation process MUST be completed by two people.

IMPORTANT: The 16 x M5 screws MUST be securely tightened.



- Remove the hanging hook and then slide the lower chimney section downwards, until it rests against the main body of the cooker hood.




For safety reasons, use only the same size of fixing or mounting screws that are recommended in this instruction manual.

Failure to install the screws or fixing devices in accordance with these instructions may result in electrical hazards.


4 speeds Five Keys Touch control

1 2 3 B 

- 1** **Silent:** Use this intensity level for slow cooking and boiling with closed pans. This level is used for cooking with lower steam emissions.
- 2** **Medium:** This is the ideal standard intensity for a normal cooking environment.
- 3** **Maximum:** If you have much steam in your kitchen, use this level for a intensive ventilation.
- B** **Intensive level:** Extra high power for an intensive airflow. After 5 minutes working in this mode, the appliance would turn to the 3rd speed automatically.
-  **Light key:** Switches the light on and off.

4 speeds Electronic switch



- 1** **Silent:** Use this intensity level for slow cooking and boiling with closed pans. This level is used for cooking with lower steam emissions.
- 2** **Medium:** This is the ideal standard intensity for a normal cooking environment.
- 3** **Maximum:** If you have much steam in your kitchen, use this level for a intensive ventilation.
- B** **Intensive level:** Extra high power for an intensive airflow.
After 5 minutes working in this mode, the appliance would turn to the 3rd speed automatically.
-  **Light key:** Switches the light on and off.

PART 5: MAINTENANCE AND CLEANING

Regarding the replacement of the bulb, cleaning and maintenance of the appliance, please refer to below paragraphs of this manual.

Attention!

Before cleaning, switch the unit off and pull out the plug.

I. Regular Cleaning

Use a soft cloth moistened with hand-warm mild soap water or household cleaning detergent. Never use metal pads, chemical, abrasive material or a stiff brush to clean the unit.

II. Monthly Cleaning of the Grease Filter

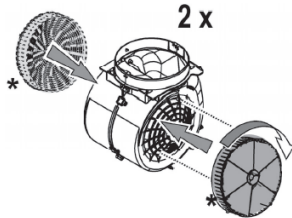
ESSENTIAL: Clean the filter every month to prevent any risk of fire.

The filter collects grease, smoke and dust, so the filter is directly affecting the efficiency of the cooker hood. If not cleaned, the grease residue (potentially flammable) will saturate on the filter. Clean it with household cleaning detergent.

III. Charcoal filter (fil er version only)

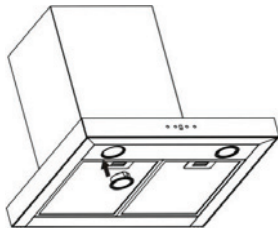
It absorbs unpleasant odours caused by cooking.

The saturation of the charcoal filter occurs after more or less prolonged use, depending on the type of cooking and the regularity of cleaning of the grease filter. In any case it is necessary to replace the cartridge at least every four months (or when the filter saturation indication system – if envisaged on the model in possession – indicates this necessity). The charcoal filter may NOT be washed or regenerated.



IV. Bulb Replacement

1. Switch the unit off and unplug the appliance.
2. Open the cooker hood and remove the filters.
3. Release the lamp connectors and push the lamp out from inside.
4. Replace with the same type of lamp.



PART 6: BEFORE YOU CALL THE SERVICE CENTRE

If the appliance is not working as it should check the following recommendations for resolving the most common problems.

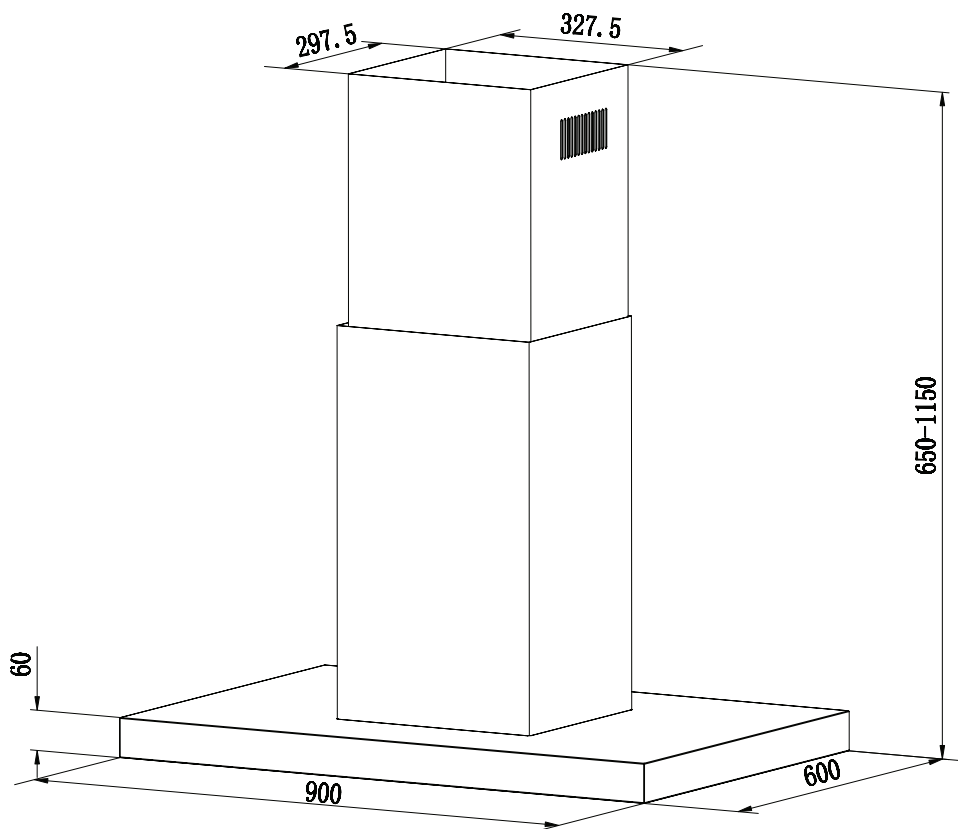
If the problem persists or it is not included in the table below, turn off the appliance and disconnect it from the power socket and contact an authorised service centre.

Problem	Solution
The range hood is not working.	Check that the power plug is properly inserted in a properly grounded power socket with the parameters 220 – 240 V ~ 50 Hz.
	Check that the motor power switch is in the "On" position.
The lights are not working.	Check that the power plug is properly inserted in a properly grounded power socket with the parameters 220 – 240 V ~ 50 Hz.
	Check that the motor power switch is in the "On" position.
	Check whether the light bulb or fluorescent tube is broken.
Exhaust power is weak.	Check whether the aluminium filters are dirty.
	Check the air outlet, it should be open.
	Check whether the carbon filter is not too dirty.
The range hood does not extract the air directly out (for models without an exhaust).	Check whether the aluminium filters are dirty.
	Check whether the carbon filter is not too dirty.

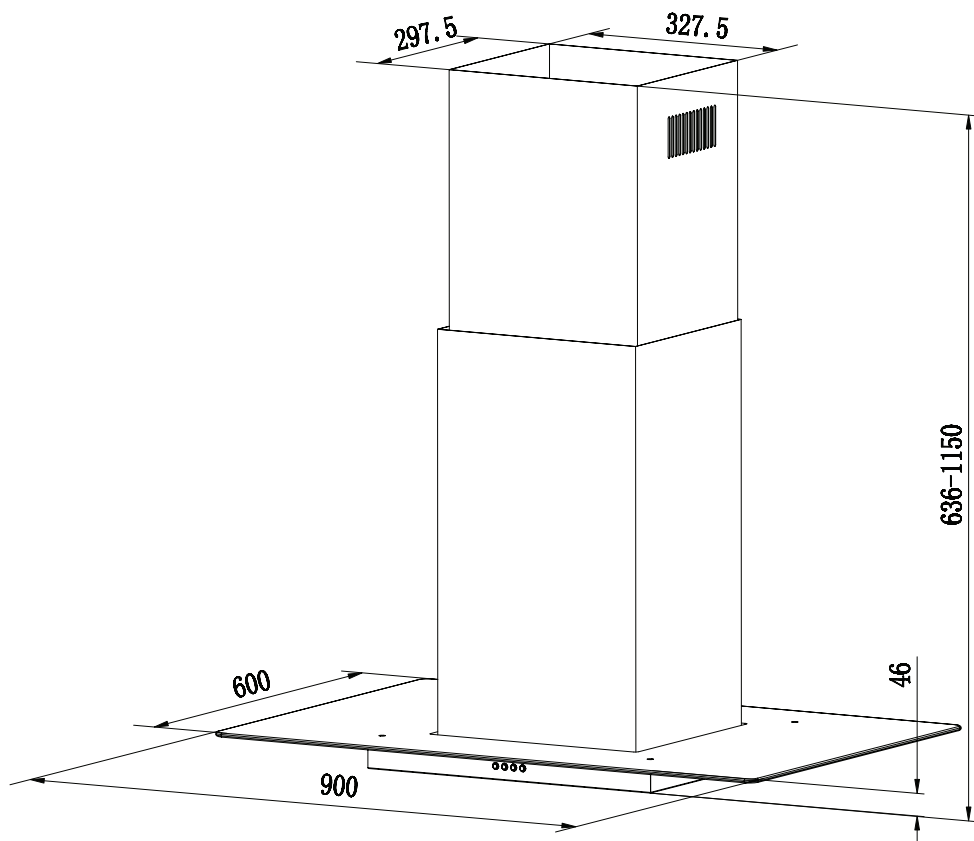
ATTENTION:

Use the range hood together with the stove. This will ensure the correct air exhaust. We recommend to leave the range hood running a few minutes longer than the stove to ensure that all odours are extracted.

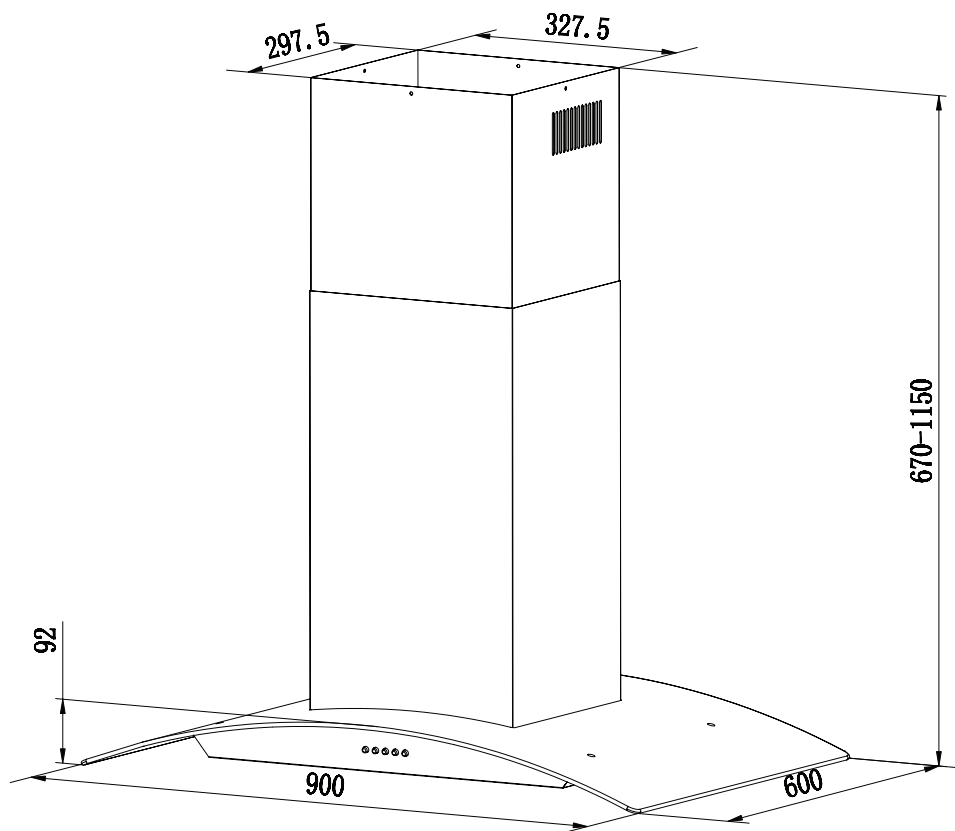
Technical drawings PEI 729 TCD



Technical drawings PEI 619 TG



Technical drawings PEI 619 TCG



INSTRUCTIONS AND INFORMATION REGARDING THE DISPOSAL OF USED PACKAGING MATERIALS

Dispose of packaging material at a public waste disposal site.

DISPOSAL OF USED ELECTRICAL AND ELECTRONIC APPLIANCES



The meaning of the symbol on the product, its accessory or packaging indicates that this product shall not be treated as household waste. Please, dispose of this product at your applicable collection point for the recycling of electrical & electronic equipment waste. Alternatively in some states of the European Union or other European states you may return your products to your local retailer when buying an equivalent new product. The correct disposal of this product will help save valuable natural resources and help in preventing the potential negative impact on the environment and human health, which could be caused as a result of improper liquidation of waste. Please ask your local authorities or the nearest waste collection centre for further details. The improper disposal of this type of waste may fall subject to national regulations for fines.

For business entities in the European Union

If you wish to dispose of an electrical or electronic device, request the necessary information from your seller or supplier.

Disposal in other countries outside the European Union

If you wish to dispose of this product, request the necessary information about the correct disposal method from local government departments or from your seller.



This product meets all the basic EU regulation requirements that relate to it.

Changes to the text, design and technical specifications may occur without prior notice and we reserve the right to make these changes.

Manufacturer/Importer:
Fast ČR, a.s.
Praha 10, Černokostecká 2111
CZ-10000; CZECH REPUBLIC

PHILCO[®] 

**is a registered trademark used under license from
Electrolux Home Products., Inc.**

ODSAVAČ PAR

Návod k obsluze

PHILCO



Famous for Quality the World Over

PEI 729 TCD

PEI 619 TG

PEI 619 TCG

Vážený zákazníku,

Děkujeme, že jste si koupili výrobek značky PHILCO. Aby mohl váš spotřebič sloužit dobře, přečtěte si všechny pokyny uvedené v tomto návodu k obsluze.

OBSAH

1. ČÁST: DŮLEŽITÉ BEZPEČNOSTNÍ POKYNY	2
Upozornění.....	2
Světlo.....	4
2. ČÁST: POPIS SPOTŘEBIČE.....	5
3. ČÁST: INSTALACE	8
Použití.....	8
Elektrické připojení.....	9
Montáž.....	9
Instalační postup.....	10
4. ČÁST: PROVOZ	13
Dotykový ovladač s pěti tlačítky o 4 rychlostech	13
4 rychlostní elektronický přepínač.....	14
5. ČÁST: ÚDRŽBA A ČIŠTĚNÍ.....	15
6. ČÁST: DŘÍVE NEŽ ZAVOLÁTE DO SERVISNÍHO STŘEDISKA.....	16

1. ČÁST: DŮLEŽITÉ BEZPEČNOSTNÍ POKYNY

Pečlivě dodržujte pokyny uvedené v tomto návodu. Odmítáme odpovědnost za jakékoli případné nepříjemnosti, škody nebo požár způsobené nedodržáním pokynů v tomto návodu. Odsavač je koncipován pro odsávání výparů a páry z vaření a je určen pouze pro domácí použití.

! Je důležité, abyste si uschovali tento návod pro jeho budoucí použití. V případě prodeje, postoupení nebo odnesení další osobě, nezapomeňte předat spolu s výrobkem i tento návod.

! Pozorně si přečtete pokyny: jde o důležité informace o instalaci, použití a bezpečnosti.

! Nevykonávejte žádné elektrické ani mechanické úpravy na výrobku nebo odsávacích potrubích.

! Před zahájením instalace spotřebiče se ujistěte, zda není poškozen žádný z jeho komponentů.

V opačném případě se obraťte na prodejce a neprovádějte instalaci.

Poznámka: prvky označené symbolem "(*)" jsou volitelné příslušenství dodávané pouze s některými modely nebo jsou to prvky na zakoupení, které nejsou dodávány.



Upozornění

Před jakýmkoli čištěním nebo údržbou, odpojte odsavač od elektrické sítě tak, že odpojíte zástrčku nebo odpojíte dodávku elektrické energie.

Při všech pracích spojených s instalací a údržbou mějte nasazeny pracovní rukavice.

Tento spotřebič mohou používat děti starší 8 let a osoby se sníženými fyzickými, smyslovými nebo duševními schopnostmi, či s nedostatkem zkušeností a znalostí, pokud jsou pod dohledem nebo byly poučeny ohledně bezpečného používání spotřebiče a pochopily z toho plynoucí rizika.

Děti nesmí manipulovat s ovládacími prvky ani si hrát se spotřebičem.

Čištění a uživatelská údržba nesmí být prováděna dětmi bez dozoru.

Prostory, ve kterých je spotřebič nainstalován, musí být dostatečně větrané, když je kuchyňský odsavač používán spolu s jinými spotřebiči spalujícími plyn nebo jiná paliva.

Odsavač par musí být pravidelně čištěn na vnitřní i vnější straně (nejméně jednou za měsíc).

Toto se musí provést v souladu s pokyny na údržbu uvedenými v tomto návodu. Nedodržáním pokynů uvedených v tomto návodu k obsluze, které se týkají čištění odsavače a filtrů, povede k nebezpečí vzniku požáru.

Opékání pokrmů pod samotným odsavačem je přísně zakázáno.

Používání otevřených plamenů poškozuje filtry a může způsobit riziko požáru a proto je třeba se tomu za všech okolností vyhnout.

Jakékoliv smažení musí být provedeno opatrně, aby se zajistilo, že nedojde k přehřátí a vznícení oleje.

UPOZORNĚNÍ: Při používání se spotřebiči na vaření, mohou být přístupné části odsavače horké.

Při výměně světla používejte pouze ten typ světla, který je uveden v části „Údržba/Výměna světla“ v tomto návodu k obsluze.

VAROVÁNÍ! Nepřipojujte spotřebič k elektrické síti, dokud není úplně dokončena instalace.

Pokud jde o technická a bezpečnostní opatření, která je třeba přijmout při vypouštění výparů, je důležité důsledně dodržovat předpisy vydávané místními úřady.

Systém potrubí pro tento spotřebič nesmí být připojen k žádnému existujícímu ventilačnímu systému, který je používán na jakýkoli jiný účel, než je vypouštění výparů ze spotřebičů, které spalují plyn nebo jiná paliva.

Nepoužívejte ani nenechávejte odsavač bez správně připevněného světla, kvůli možnému riziku úrazu elektrickým proudem.

Nikdy nepoužívejte odsavač bez účinně namontovaných mřížek.

Odsavač NIKDY nesmí být použit jako nosná plocha, pokud to není výslovně uvedeno.


Na instalaci používejte výhradně upevňovací šrouby dodávané s výrobkem, nebo pokud nejsou dodávány, zakupte správný typ šroubů.

Používejte šrouby správné délky, jak je uvedeno v instalačním návodu.

V případě pochybností se obraťte na autorizované servisní středisko nebo podobně kvalifikovanou osobu.

Tento spotřebič je označen podle evropské směrnice 2012/19/ES o likvidaci elektrických a elektronických zařízení (WEEE). Zajištěním správné likvidace tohoto výrobku pomůžete zabránit možným negativním dopadům na životní prostředí a lidské zdraví, které by jinak mohly být způsobeny nesprávnou likvidací tohoto výrobku.



Symbol  na výrobku nebo průvodní dokumentaci znamená, že s tímto spotřebičem nesmí být zacházeno jako s komunálním odpadem. Místo toho by měl být umístěn na příslušném sběrném místě pro recyklaci elektrických a elektronických zařízení. Likvidace musí být provedena v souladu s místními environmentálními předpisy pro likvidaci odpadu.

Podrobnější informace týkající se postupu, sběru a recyklace tohoto výrobku, získáte na příslušném oddělení místních úřadů nebo na místním oddělení pro domovní odpad nebo v prodejně, kde jste si tento výrobek zakoupili.

Spotřebič je vyvinut, testován a vyroben podle:

- Bezpečnost: EN 60335-1; EN 60335-2-31, EN 62233.
- Výkon: EN 61591; EN 60704-1; EN 60704-2-13; EN 50564
- EMC: EN 55014-1; EN 55014-2; EN 61000-3-2; EN 61000-3-3.

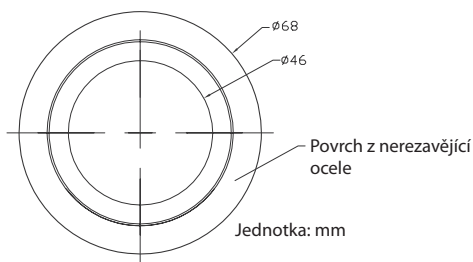
Návrhy na správné použití s cílem snížit dopad na životní prostředí: Když začnete vaření, zapněte odsavač na minimální rychlost a nechte ho běžet několik minut po dokončení vaření. Zvyšte rychlost pouze v případě velkého množství kouře a výparů a nejvyšší rychlost používejte pouze v mimořádných situacích. Pokud je to nutné, vyměňte filtr (y) s aktivním uhlím, abyste zajistili dobrou účinnost odstraňování zápachů. V případě potřeby vyčistěte tukový filtr (y), abyste zajistili dobrou účinnost tukového filtru. Použijte maximální průměr systému potrubí uvedený v tomto návodu, na optimalizaci účinnosti a minimalizaci hluku.

Světlo

Dostupná světla a korespondující kódy ILCOS D a obrázky světél:

Použijte typové světlo (nebo použijte světlo alternativního typu) DSR-1.5-S-68 (ILCOS D kód podle normy IEC61231).

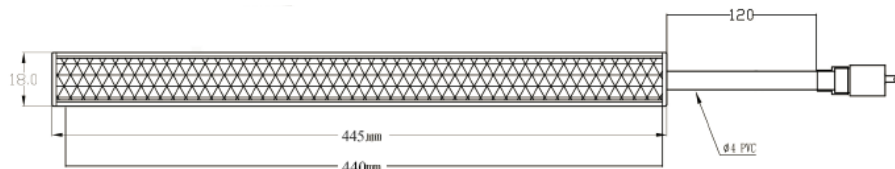
- Samo-vyrovnávací fluorescenční reflektorová žárovka – integrální indukční zátěž
- Maximální příkon: 1,5 W
- Rozsah napětí: 12 V
- Rozměry:



Dostupná světla a korespondující kódy ILCOS D a obrázky světél:

Použijte typové světlo (nebo použijte světlo alternativního typu) DBR-8-H-445 (ILCOS D kód podle normy IEC61231).

- Samo-vyrovnávací fluorescenční reflektorová žárovka – integrální indukční zátěž
- Maximální příkon: 8 W
- Rozsah napětí: 220 - 240 V ~50 Hz
- Rozměry:

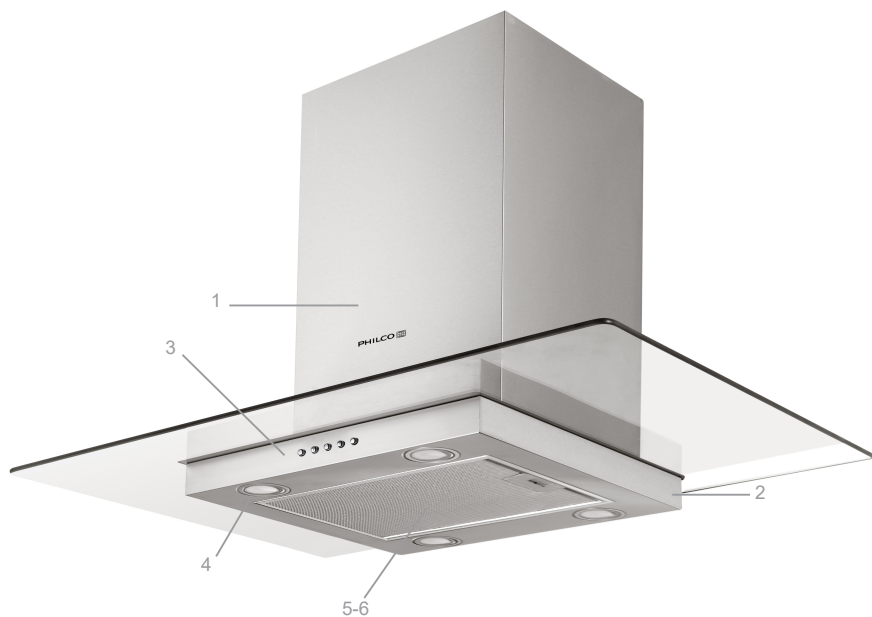


Pro výměnu LED osvětlení doporučujeme se obrátit přímo na autorizovaný servis PHILCO.

2. ČÁST: POPIS SPOTŘEBIČE



1. Komín
2. Kryt
3. Dotykový ovládací panel
4. LED světlo
5. Tukový filtr
6. Motor



1. Komín
2. Kryt
3. Elektronický přepínač
4. LED světlo
5. Tukový filtr
6. Motor

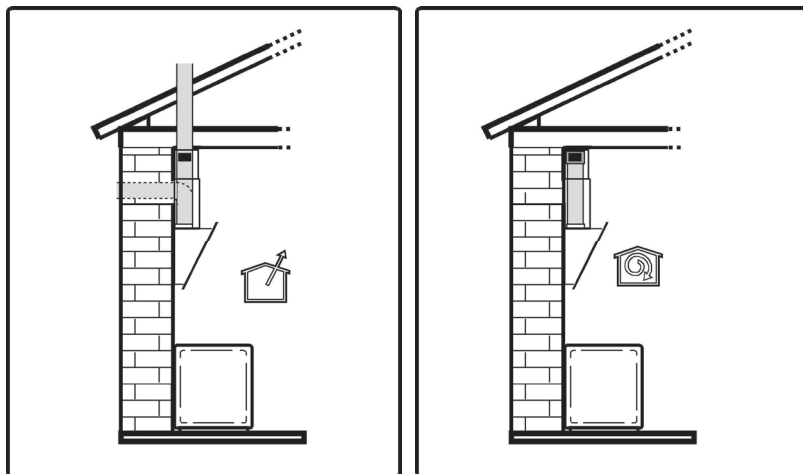


1. Komín
2. Kryt
3. Elektronický přepínač
4. LED světlo
5. Tukový filtr
6. Motor

3. ČÁST: INSTALACE

Použití

Odsavač je navržen tak, aby byl použit buď na odtah do komína nebo recirkulaci.



Odtah do komínu

V tomto případě jsou výpary odváděny mimo budovy pomocí speciálního potrubí připojeného se spojovacím kroužkem umístěným v horní části odsavače.

Pozor! Odsávací potrubí je součástí balení. (Ø150 - Ø153 mm)

Průměr odsávacího potrubí se musí shodovat s průměrem spojovacího kroužku.

Pozor! Filtr s aktivním uhlím není součástí balení. Pokud je odsavač dodáván s filtrem s aktivním uhlím, je třeba ho vyjmout.

Připojte odsavač a výpustní otvory na stěně s průměrem odpovídajícím výstupu vzduchu (připojovací příruba). Použití potrubí a výpustných otvorů na stěně s menším rozměrem způsobí snížení výkonu odsávání a výrazné zvýšení hluku.

V tomto případě proto odmítáme nést jakoukoliv odpovědnost.

! Použijte potrubí s minimální nezbytnou délkou.

! Použijte potrubí s nejmenším možným počtem kolen (maximální úhel kolena: 90°).

! Vyhněte se drastickým změnám v průřezu potrubí.



Recirkulace

Nasávaný vzduch bude zbaven tuku a zápachu předtím, než bude nasměrován zpět do místnosti.

Abyste mohli používat odsavač v tomto provedení, budete muset nainstalovat systém dodatečného filtrování na bázi aktivního uhlí.

Pozor! Filtr s aktivním uhlím není součástí balení a je nutno jej zakoupit.

Elektrické připojení

Zdroj napájení elektrickou energií musí odpovídat hodnotě uvedené na štítku umístěném uvnitř odsavače. Pokud je spotřebič vybaven zástrčkou, po instalaci připojte odsavač k elektrické zásuvce v souladu s platnými předpisy a umístěním na dostupném místě. Pokud není vybaven zástrčkou (pro síťové připojení) nebo se zástrčka nenachází na přístupném místě, po instalaci použijte dvoupólový spínač v souladu s normami, který zajistí úplné odpojení od elektrické sítě v podmínkách týkajících se proudového přetížení kategorie III, v souladu s instalačními pokyny.

Varování! Před opětovným připojením okruhu odsavače k elektrické síti a kontrolou funkce účinnosti, vždy zkontrolujte, zda je správně připojen napájecí kabel.

Odsavač je vybaven speciálním napájecím kabelem; pokud je kabel poškozen, vyžádejte si nový v servisním středisku.

Montáž

Před zahájením instalace:

- Zkontrolujte, zda je zakoupený výrobek vhodné velikosti pro zvolené místo instalace.
- Vyjměte filtr s aktivním uhlím, pokud je součástí dodávky. Tento/tyto je/Jsou namontovány jen tehdy, když chcete používat odsavač ve filtrační verzi.
- Zkontrolujte (z důvodu přepravy), zda se v odsavači nenachází žádný jiný dodávaný materiál (např. balíček se šrouby, návod, atd.), popřípadě ho vyndejte a odložte na bezpečné místo.
- Odstraňte pásku na průduchu.
- Spotřebič vypněte a odpojte od elektrické zásuvky.

V případě přítomnosti panelů a/nebo stěn a/nebo bočních stěnových jednotek zkontrolujte, zda je dostatečný prostor pro instalaci odsavače a zda je snadný přístup k ovládacímu panelu.

Rozpínací hmoždinky jsou určeny k zajištění odsavače ve většině typů stěn/stropů. Avšak kvalifikovaný technik musí ověřit vhodnost materiálů podle typu stěny/stropu. Stěna/strop musí být dostatečně silný na to, aby unesl váhu odsavače. **Neobkládejte, nespárujte ani nelepte tento spotřebič ke stěně silikonem. Používejte pouze povrchovou montáž.**

Minimální vzdálenost mezi nosnou plochou pro varný spotřebič a nejnižší částí odsavače par nesmí být menší než 45 cm u elektrických sporáků a 55 cm od plynových nebo kombinovaných sporáků. Pokud instalační pokyny pro plynové varné panely určují větší vzdálenost, musíte tyto pokyny dodržet.

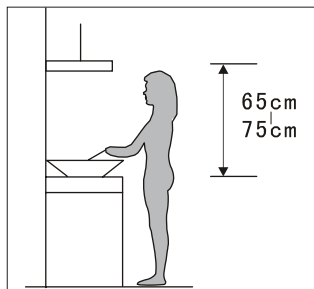
Jen u některých modelů

Estetický kouřovod si můžete zakoupit jako volitelné příslušenství. Ověřte si u autorizovaného prodejce možnost, zda je tato možnost předpokládána při konkrétním modelu.

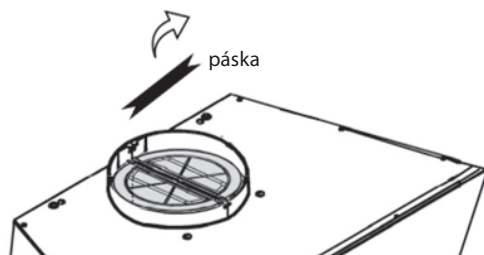
Digestoř doporučujeme nainstalovat po zakoupení kouřovodu, abyste si ověřili nevhodnější instalaci.

Instalační postup

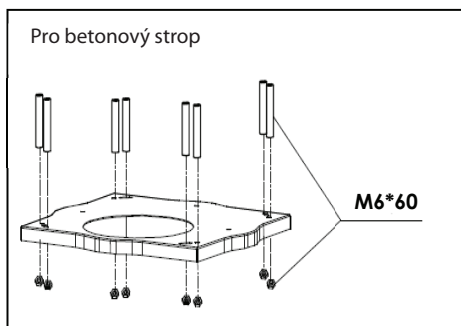
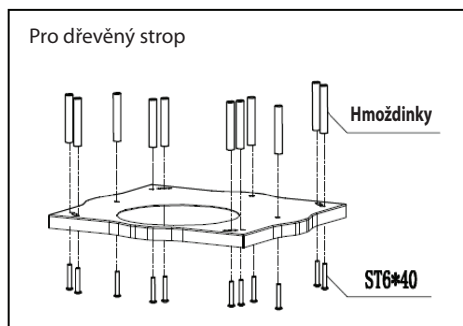
- Odsavač par by měl být nainstalován tak, aby byl prostor 650 - 750 cm od středu sítě tukových filtrů k varnému panelu. Výrobce varného panelu určuje požadovanou vzdálenost a musí být dodržena vzdálenost citovaná výrobcem varného panelu. V případě absence jakýchkoli pokynů dodávaných s plynovým varným panelem, musí být minimální vzdálenost mezi varnou deskou a odsavačem minimálně 760 mm.



- Dvakrát zkontrolujte, zda byla odstraněna páska na průduchu.



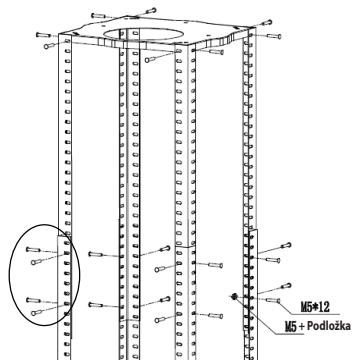
- Umístíte závěsnou desku na strop a pak označíte pozice otvorů pro šrouby. Závěsná deska musí být pevně zajištěna ke stropu, pomocí 11 x ST6 x 40 mm šroubů pro dřevěný strop (11 x hmoždinek je volitelné při příslušenství, přijatelné jsou fixní nebo nepřipevněné.) 8 x rozpěrných šroubů (M6 * 60) pro betonový strop



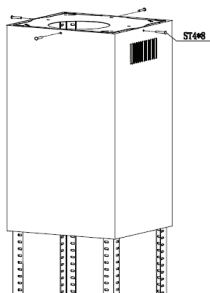
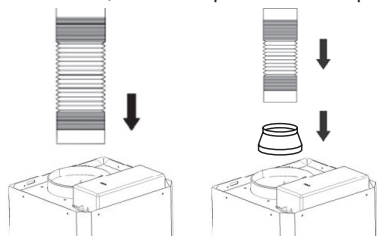
- Pomocí šroubů a matic 8 x M5 upevněte rohové držáky k závěsné desce. Umístěte rohové držáky do požadované výšky a následně je upevněte do dané polohy pomocí 16 x M5 šroubů a matic s kovovými podložkami.

DŮLEŽITÉ: Rohové držáky musí mít překrytí NEJMÉNĚ 100 mm.

DŮLEŽITÉ: Kovové podložky by měly být přidány v tomto kroku. (Podložky 0,8*5,2*10, 16 ks.)



- Součástí balení je odsávací potrubí s rozměrem $\text{Ø}150 - \text{Ø}153$ mm. Při volbě verze s odtahem do komína, umístěte na odsavač odsávací potrubí ($\text{Ø}150 - \text{Ø}153$ mm). Odsávací potrubí s koncem $\text{Ø}153$ mm by mělo být připojeno na odtaž k odsavači. Pokud potřebujete použít odsávací potrubí o rozměrech $\text{Ø}120 - \text{Ø}123$ mm (není součástí dodávky), nejprve použijte adaptér (též není součástí dodávky). V případě volby recirkulace, není třeba použít odsávací potrubí.



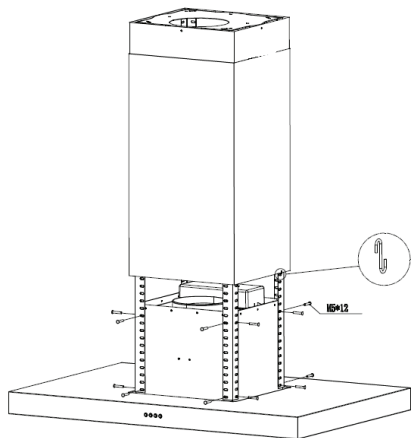
- Nasuňte spodní část komínu na rohové držáky a zvedněte jej tak, aby zapadl těsně pod horní část komína. Potom zvedněte spodní část komínu a zajistěte jej pomocí závěsného háčku ve tvaru písmene S, na zajištění pohodlné následující montáže.

Poznámka: ujistěte se, zda mohou být výpustné otvory zakryty spodní částí komína.

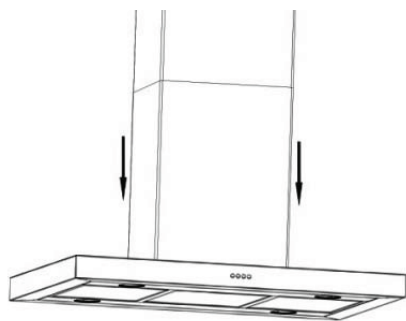
Zvedněte hlavní tělo odsavače par na rohový držák a zajistěte ho v dané poloze pomocí šroubů 16 x M5.

DŮLEŽITÉ: Tuto fázi instalačního procesu MUSÍ vykonávat dvě osoby.

DŮLEŽITÉ: Šrouby 16 x M5 MUSÍ být pevně dotaženy.



- Sundejte závěsný háček a pak nasuňte spodní část komínu směrem dolů, dokud nezapadne na hlavní tělo odsavače par.




Z bezpečnostních důvodů používejte vždy upevňovací a montážní šrouby stejné velikosti, jak je doporučeno v tomto návodu k obsluze.

Při nedodržení instalace šroubů nebo upevnění jednotky v souladu s těmito pokyny, může dojít k úrazu elektrickým proudem.

4. ČÁST: PROVOZ


Dotykový ovladač s pěti tlačítky o 4 rychlostech



- 1** **Pomalá intenzita:** Použijte tuto úroveň intenzity pro pomalé pečení a vaření se zavřenými varnými nádobami. Tato úroveň se používá na vaření s nižšími emisemi páry.
- 2** **Střední intenzita:** Jde o ideální standardní intenzitu pro normální prostředí vaření.
- 3** **Maximální intenzita:** Pokud máte v kuchyni hodně páry, použijte tuto úroveň na intenzivní odvětrání.
- B** **Intenzivní úroveň:** Extra vysoký výkon pro intenzivní proudění vzduchu. Po 5 minutách činnosti v tomto režimu, se spotřebič automaticky přepne na třetí rychlost.
-  **Tlačítko světla:** Slouží k zapnutí a vypnutí osvětlení.

4 rychlostní elektronický přepínač



- 1** **Pomalá intenzita:** Použijte tuto úroveň intenzity pro pomalé pečení a vaření se zavřenými varnými nádobami. Tato úroveň se používá na vaření s nižšími emisemi páry.
- 2** **Střední intenzita:** Jde o ideální standardní intenzitu pro normální prostředí vaření.
- 3** **Maximální intenzita:** Pokud máte v kuchyni hodně páry, použijte tuto úroveň na intenzivní odvětrání.
- B** **Intenzivní úroveň:** Extra vysoký výkon pro intenzivní proudění vzduchu.
Po 5 minutách činnosti v tomto režimu, se spotřebič automaticky přepne na třetí rychlost.
-  **Tlačítko světla:** Slouží k zapnutí a vypnutí osvětlení.

5. ČÁST: ÚDRŽBA A ČIŠTĚNÍ

Co se týče výměny žárovky, čištění a údržby spotřebiče, viz prosím níže uvedené odstavce tohoto návodu k obsluze.

Pozor!

Před čištěním spotřebič vypněte a odpojte síťovou zástrčku od elektrické zásuvky.

I. Pravidelné čištění

Použijte měkkou tkaninu navlhčenou ve vlažné mýdlové vodě nebo čisticím prostředku používaném v domácnosti. K čištění spotřebiče nikdy nepoužívejte kovové drátěnky, chemikálie, abrazivní materiály nebo tvrdý kartáč.

II. Čištění tukového filt u jedenkrát za měsíc

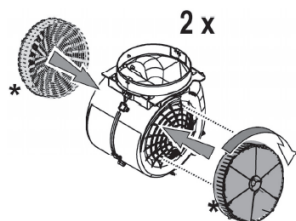
NEZBYTNÉ: Filt čistíte každý měsíc, aby se zabránilo nebezpečí vzniku požáru.

Filt shromažďuje tuk, kouř a prach, takže tento filt přímo ovlivňuje účinnost odsavače par. Pokud není filt vyčištěn, zbytky tuku (potenciálně hořlavé) se nahromadí na filtru. Filt vyčistíte pomocí domácího čisticího prostředku.

III. Filt s aktivním uhlím (jen u filt ačního provedení)

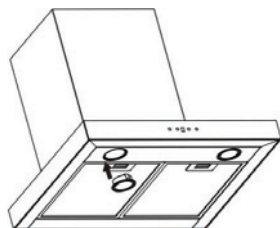
Tento filt absorbuje nepříjemné zápachy, které vznikají při vaření.

K nasycení filtru s aktivním uhlím dochází po vícenásobném nebo dlouhodobém používání, v závislosti na typu vaření a pravidelnosti čištění tukového filtru. V každém případě je třeba vyměnit náplň nejméně každé čtyři měsíce (nebo když systém indikace nasycení filtru – pokud předpokládáme, že je součástí daného modelu – upozorňuje na tuto nutnost). Filt s aktivním uhlím se NESMÍ mýt ani regenerovat.



IV. Výměna žárovky

1. Spotřebič vypněte a odpojte od elektrické sítě.
2. Otevřete odsavač par a vyjměte filtry.
3. Uvolněte svorky světla a vyndejte světlo ven.
4. Nahradte ho stejným typem světla.



6. ČÁST: DŘÍVE NEŽ ZAVOLÁTE DO SERVISNÍHO STŘEDISKA

Pokud spotřebič nefunguje podle očekávání, zkontrolujte následující doporučení k odstranění nejběžnějších problémů.

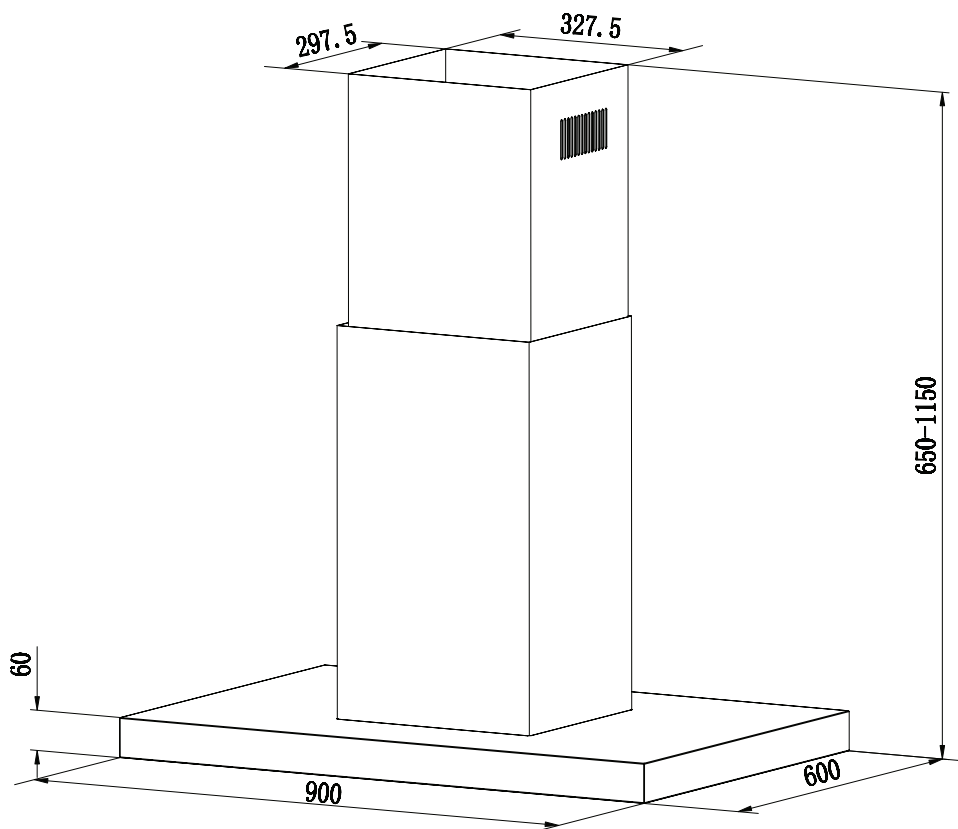
Pokud daný problém přetrvává nebo není uveden v tabulce níže, vypněte spotřebič a odpojte jej od elektrické zásuvky a obraťte se na autorizované servisní středisko.

Problém	Řešení
Odsavač par nefunguje.	Zkontrolujte, zda je síťová zástrčka správně zasunuta do vhodné uzemněné elektrické zásuvky s parametry 220 – 240 V ~ 50 Hz.
	Zkontrolujte, zda je přepínač napájení motoru v poloze „Zap.“.
Osvětlení nefunguje.	Zkontrolujte, zda je síťová zástrčka správně zasunuta do vhodné uzemněné elektrické zásuvky s parametry 220 – 240 V ~ 50 Hz.
	Zkontrolujte, zda je přepínač napájení motoru v poloze „Zap.“.
	Zkontrolujte, zda není žárovka nebo zářivka poškozena.
Výkon odsávání je slabý.	Zkontrolujte, zda nejsou znečištěny hliníkové filtry.
	Zkontrolujte, zda je otevřen výstup vzduchu.
	Zkontrolujte, zda není filtr s aktivním uhlím příliš znečištěn.
Odsavač pár neodsává vzduch přímo (u modelů bez odvodu vzduchu).	Zkontrolujte, zda nejsou znečištěny hliníkové filtry.
	Zkontrolujte, zda není filtr s aktivním uhlím příliš znečištěn.

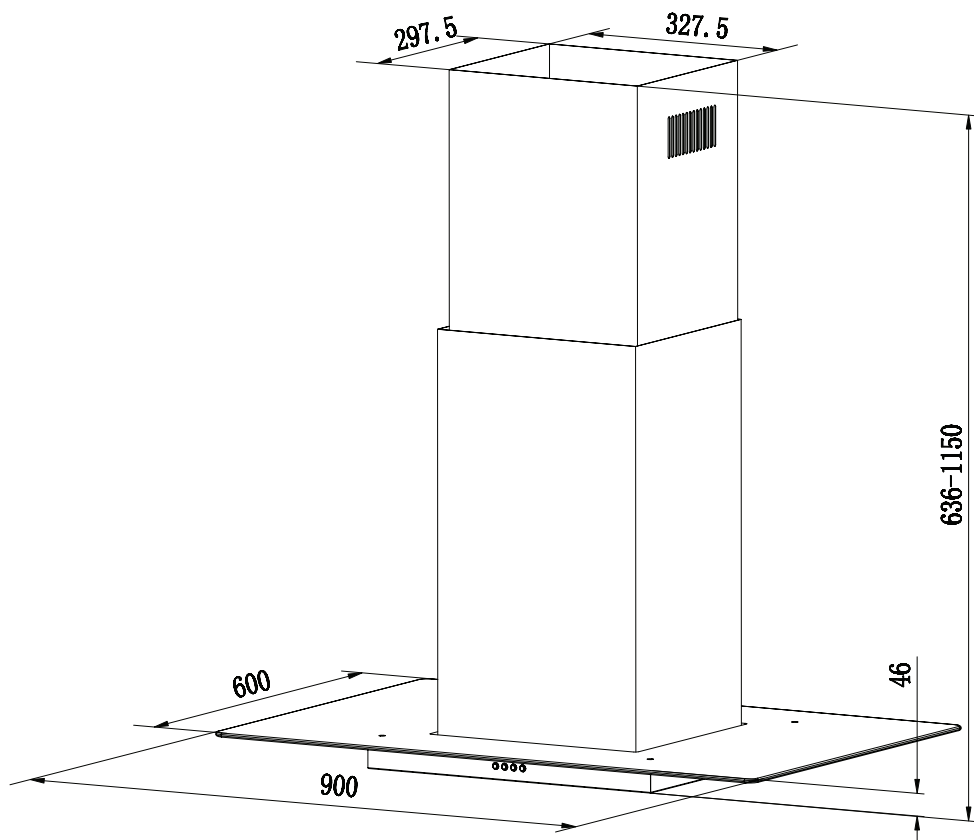
POZOR:

Odsavač par používejte spolu se sporákem. Tak se zajistí správné odsávání vzduchu. Doporučujeme ponechat odsavač par v provozu o několik minut déle než sporák, aby se zajistilo odsátí všech zápachů.

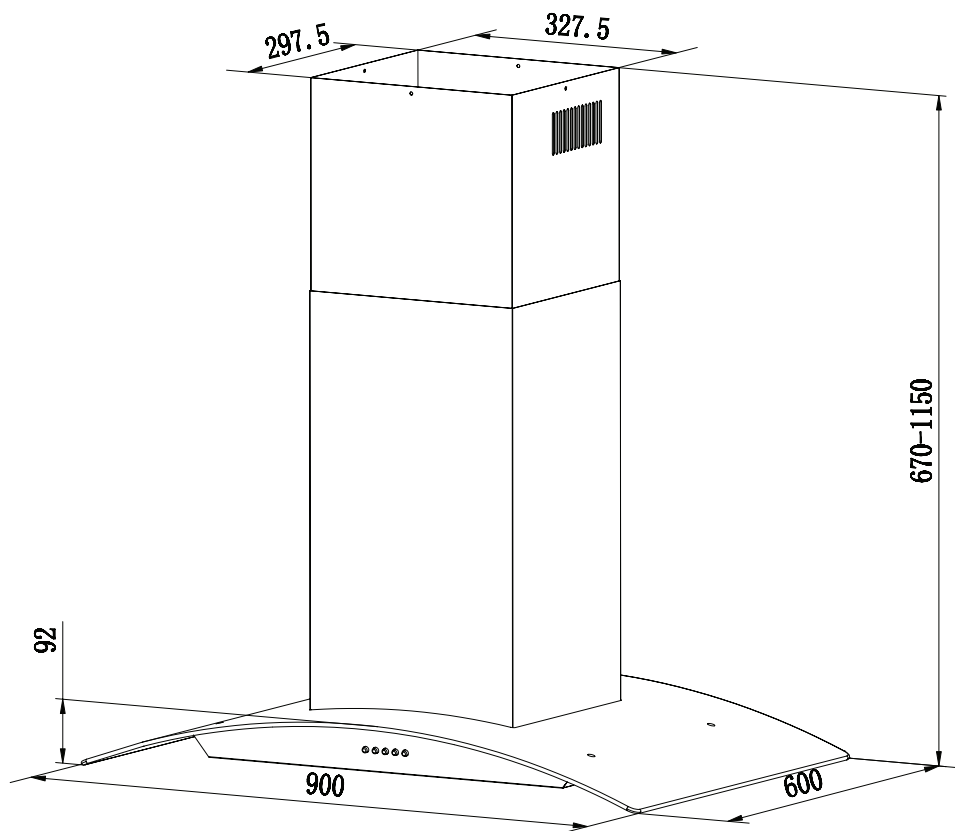
Technický náčrt PEI 729 TCD



Technický náčrt PEI 619 TG



Technický nákres PEI 619 TCG



POKYNY A INFORMACE TÝKAJÍCÍ SE LIKVIDACE POUŽITÝCH OBALOVÝCH MATERIÁLŮ

Obalové materiály zlikvidujte na veřejném místě pro likvidaci odpadu.

LIKVIDACE POUŽITÝCH ELEKTRICKÝCH A ELEKTRONICKÝCH SPOTŘEBIČŮ



Význam symbolu na výrobku, jeho příslušenství nebo obalu znamená, že s tímto výrobkem nesmí být zacházeno jako s komunálním odpadem. Tento výrobek zlikvidujte na příslušném sběrném místě pro recyklaci odpadu z elektrických a elektronických zařízení. Popřípadě je možné v některých státech Evropské unie nebo jiných evropských státech vrátit své výrobky místnímu prodejci, v případě koupě obdobného nového výrobku. Správná likvidace tohoto výrobku pomůže ušetřit cenné přírodní zdroje a pomoci při prevenci případného negativního vlivu na životní prostředí a lidské zdraví, ke kterému by mohlo dojít v důsledku nesprávné likvidace odpadu. Podrobnější informace získáte od místního úřadu nebo v nejbližším středisku pro sběr odpadu. Nesprávná likvidace tohoto typu odpadu může podléhat vnitrostátním předpisům o pokutách.

Pro podnikatelské subjekty v Evropské unii

Chcete-li zlikvidovat elektrické nebo elektronické zařízení, vyžádejte si potřebné informace od svého prodejce nebo dodavatele.

Likvidace v jiných státech mimo Evropské unie

Chcete-li zlikvidovat tento výrobek, vyžádejte si potřebné informace o správném způsobu likvidace od místních úřadů nebo svého prodejce.



Tento výrobek splňuje všechny základní požadavky nařízení EU, které se na něj vztahují.

Změny v textu, designu a technických údajích se mohou vyskytnout bez předchozího upozornění a vyhrazujeme si právo provést tyto změny.

Manufacturer/Importer:
Fast ČR, a.s.
Praha 10, Černokostecká 2111
CZ-10000; CZECH REPUBLIC

PHILCO[®] 

**is a registered trademark used under license from
Electrolux Home Products., Inc.**

ODSÁVAČ PÁR

Návod na obsluhu

PHILCO



Famous for Quality the World Over

PEI 729 TCD

PEI 619 TG

PEI 619 TCG

Vážený zákazník,

Ďakujeme, že ste si kúpili výrobok značky PHILCO. Aby mohol váš spotrebič slúžiť dobre, prečítajte si všetky pokyny uvedené v tomto návode na obsluhu.

OBSAH

1. ČASŤ: DÔLEŽITÉ BEZPEČNOSTNÉ POKYNY.....	2
Upozornenia	2
Svetlo.....	4
2. ČASŤ: POPIS SPOTREBIČA	5
3. ČASŤ: INŠTALÁCIA	8
Použitie	8
Elektrické pripojenie	9
Montáž.....	9
Inštalačný postup.....	10
4. ČASŤ: PREVÁDZKA	13
Dotykový ovládač s piatimi tlačidlami o 4 rýchlostiach	13
4 rýchlostný elektronický prepínač.....	14
5. ČASŤ: ÚDRŽBA A ČISTENIE.....	15
6. ČASŤ: SKÔR AKO ZAVOLÁTE DO SERVISNÉHO STREDISKA	16

1. ČASŤ: DÔLEŽITÉ BEZPEČNOSTNÉ POKYNY

Starostlivo dodržiavajte pokyny uvedené v tomto návode. Odmietame zodpovednosť za akékoľvek prípadné neprijemnosti, škody alebo požiar spôsobené nedodržaním pokynov v tomto návode. Odsávač je koncipovaný na odsávanie výparov a pary z varenia a je určený len na domáce použitie.

! Je dôležité, aby ste si odložili tento návod pre jeho použitie kedykoľvek. V prípade predaja, postúpenia alebo odnesenia ďalšej osobe, nezabudnite odovzdať spolu s výrobkom aj tento návod.

! Pozorne si prečítajte pokyny: ide o dôležité informácie o inštalácii, použití a bezpečnosti.

! Nevykonávajte žiadne elektrické ani mechanické úpravy na výrobku alebo na odsávacích potrubíach.

! Pred začatím inštalácie spotrebiča sa uistite, či nie je poškodený zariaden z jeho komponentov.

V opačnom prípade sa obráťte na predajcu a nevykonávajte inštaláciu.

Poznámka: prvky označené symbolom “(*)” sú voliteľné príslušenstvo dodávané len s niektorými modelmi alebo sú to prvky na zakúpenie, ktoré nie sú dodávané.



Upozornenia

Pred akýmkoľvek čistením alebo údržbou, odpojte odsávač od elektrickej siete tak, že odpojíte zástrčku alebo odpojíte dodávku elektrickej energie.

Pri všetkých prácach spojených s inštaláciou a údržbou majte nasadené pracovné rukavice.

Tento spotrebič môžu používať deti staršie ako 8 rokov a osoby sú zníženými fyzickými, zmyslovými alebo duševnými schopnosťami, či s nedostatkom skúseností a znalostí, ak sú pod dohľadom alebo boli poučení ohľadom bezpečného používania spotrebiča a pochopili z toho plynúce riziká.

Deti nesmú manipulovať s ovládacími prvkami ani sa hrať so spotrebičom.

Čistenie a používateľská údržba nesmie byť vykonávaná deťmi bez dozoru.

Priestory, v ktorých je spotrebič nainštalovaný, musia byť dostatočne vetrané, keď je kuchynský odsávač používaný spolu s inými spotrebičmi spaľujúcimi plyn alebo iné palivá.

Odsávač pár musí byť pravidelne čistený na vnútornej ako aj vonkajšej strane (najmenej jedenkrát za mesiac).

Toto sa musí vykonať v súlade s pokynmi na údržbu uvedenými v tomto návode. Nedodržaním pokynov uvedených v tomto návode na obsluhu, ktoré sa týkajú čistenia odsávača a filtrov, povedie k nebezpečenstvu vzniku požiaru.

Opekanie pokrmov pod samotným odsávačom je prísne zakázané.

Používanie otvorených plameňov poškodzuje filtre a môže spôsobiť riziko požiaru a preto je potrebné sa tomu za každých okolností vyhnúť.

Akékoľvek vyprážanie musí byť vykonané opatrne, aby sa zaistilo, že nedôjde k prehriatiu a vznieteniu oleja.

UPOZORNENIE: Pri používaní so spotrebičmi na varenie, môžu byť prístupné časti odsávača horúce.

Pri výmene svetla používajte len ten typ svetla, ktorý je uvedený v časti "Údržba/Výmena svetla" v tomto návode na obsluhu.

VAROVANIE! Nepripájajte spotrebič k elektrickej sieti dovtedy, pokiaľ nie je úplne dokončená inštalácia.

Pokiaľ ide o technické a bezpečnostné opatrenia, ktoré je potrebné prijať pri vypúšťaní výparov, je dôležité dôsledne dodržiavať predpisy vydávané miestnymi úradmi.

Systém potrubia pre tento spotrebič nesmie byť pripojený k žiadnemu existujúcemu ventilačnému systému, ktorý je používaný na akýkoľvek iný účel, ako je vypúšťanie výparov zo spotrebičov, ktoré spaľujú plyn alebo iné palivá.

Nepoužívajte ani nenechávajte odsávač bez správne pripevneného svetla, kvôli možnému riziku úrazu elektrickým prúdom.

Nikdy nepoužívajte odsávač bez účinne namontovaných mriežok.

Odsávač **NIKDY** nesmie byť použitý ako nosná plocha, pokiaľ to nie je výslovné uvedenie.


Na inštaláciu používajte výhradne upevňovacie skrutky dodávané s výrobkom alebo ak nie sú dodávané, zakúpte správny typ skrutiek.

Používajte skrutky správnej dĺžky, ako je to uvedené v inštaláčnom návode.

V prípade pochybností, sa obráťte na autorizované servisné stredisko alebo podobne kvalifikovanú osobu.

Tento spotrebič je označený podľa európskej smernice 2012/19/ES o likvidácii elektrických a elektronických zariadení (WEEE). Zabezpečením správnej likvidácie tohto výrobku, pomôžete zabrániť možným negatívnym vplyvom na životné prostredie a ľudské zdravie, ktoré by inak mohli byť spôsobené nesprávnou likvidáciou tohto výrobku.



Symbol  na výrobku alebo na sprievodnej dokumentácii znamená, že s týmto spotrebičom nesmie byť zaobchádzané ako s komunálnym odpadom. Namiesto toho, by mal byť umiestnený na príslušnom zbernom mieste pre recykláciu elektrických a elektronických zariadení. Likvidácia musí byť vykonaná v súlade s miestnymi environmentálnymi predpismi pre likvidáciu odpadu.

Podrobnejšie informácie týkajúce sa postupu, zberu a recyklácie tohto výrobku, získate na príslušnom oddelení miestnych úradov alebo na miestnom oddelení pre domový odpad alebo v predajni, kde ste si tento výrobok zakúpili.

Spotrebič je vyvinutý, testovaný a vyrobený podľa:

- Bezpečnosť: EN 60335-1; EN 60335-2-31, EN 62233.
- Výkon: EN 61591; EN 60704-1; EN 60704-2-13; EN 50564
- EMC: EN 55014-1; EN 55014-2; EN 61000-3-2; EN 61000-3-3.

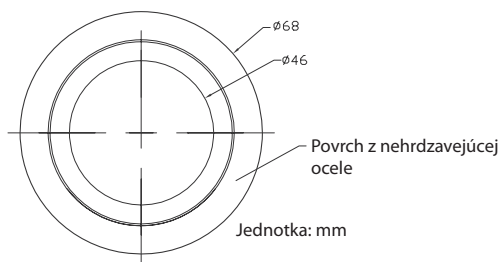
Návrhy na správne použitie s cieľom znížiť vplyv na životné prostredie: Keď začnete varenie, zapnite odsávač na minimálnu rýchlosť a nechajte ho bežať niekoľko minút po dokončení varenia. Zvýšte rýchlosť len v prípade veľkého množstva dymu a výparov a najvyššiu rýchlosť používajte len mimoriadnych situáciách. Ak je to potrebné, vymeňte filter(e) s aktívnym uhlím, aby ste zaistili dobrú účinnosť odstraňovania zápachov. V prípade potreby vyčistite tukový filter(e), aby ste zaistili dobrú účinnosť tukového filtra. Použite maximálny priemer systému potrubia uvedený v tomto návode, na optimalizáciu účinnosti a minimalizovanie hluku.

Svetlo

Dostupné svetlá a korešpondujúce kódy ILCOS D a obrázky svetiel:

Použite typové svetlo (alebo použite svetlo alternatívneho typu) DSR-1.5-S-68 (ILCOS D kód podľa normy IEC61231).

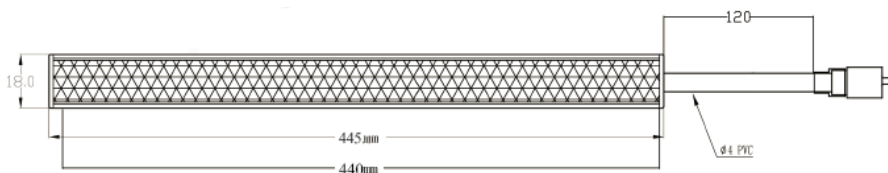
- Samo-vyrovnávací fluorescenčná reflektorová žiarovka – integrálna indukčná záťaž
- Maximálny príkon: 1,5 W
- Rozsah napätia: 12 V
- Rozmery:



Dostupné svetlá a korešpondujúce kódy ILCOS D a obrázky svetiel:

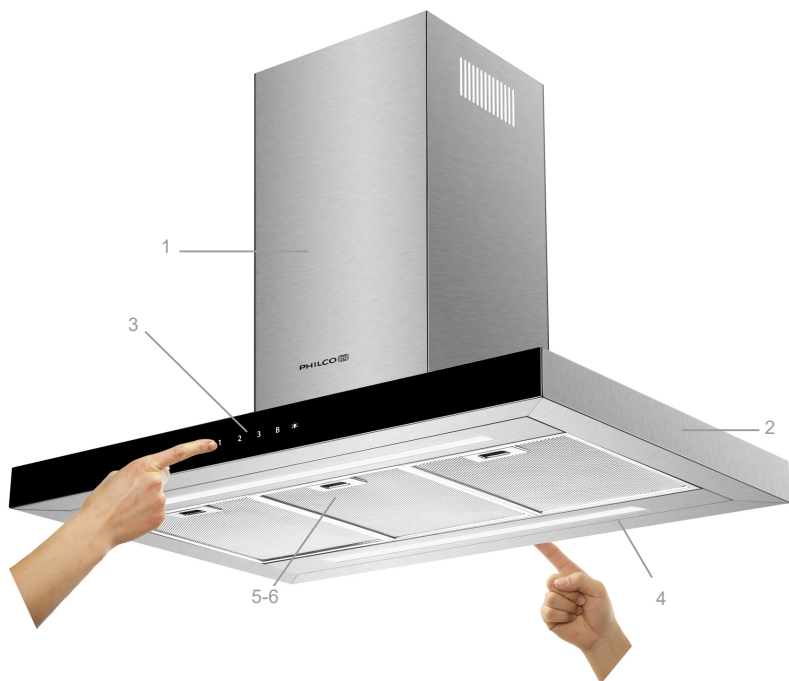
Použite typové svetlo (alebo použite svetlo alternatívneho typu) DBR-8-H-445 (ILCOS D kód podľa normy IEC61231).

- Samo-vyrovnávací fluorescenčná reflektorová žiarovka – integrálna indukčná záťaž
- Maximálny príkon: 8 W
- Rozsah napätia: 220 - 240 V ~50 Hz
- Rozmery:

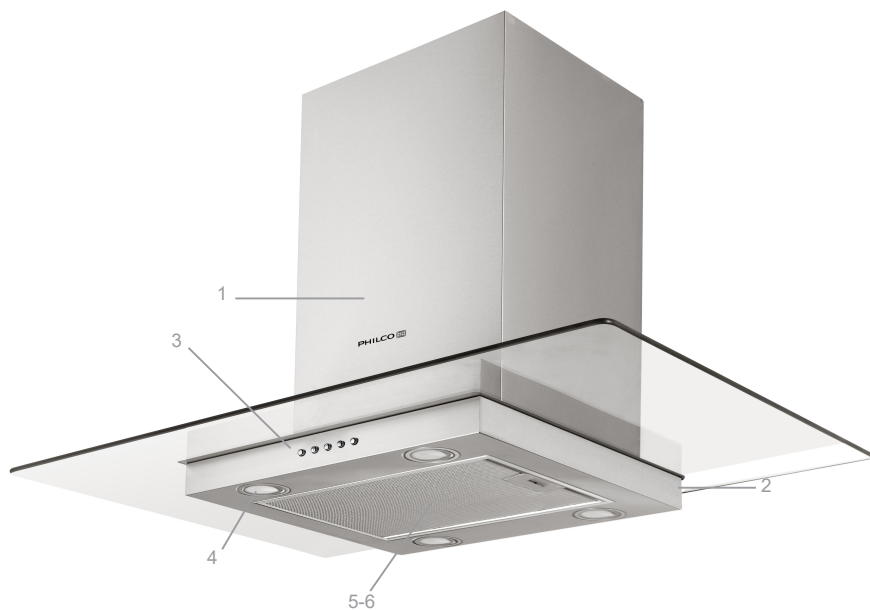


Na výmenu LED osvetlenia sa odporúčame obrátiť priamo na autorizovaný servis PHILCO.

2. ČASŤ: POPIS SPOTREBIČA



1. Komín
2. Kryt
3. Dotykový ovládací panel
4. LED svetlo
5. Tukový filter
6. Motor



1. Komín
2. Kryt
3. Elektronický prepínač
4. LED svetlo
5. Tukový filter
6. Motor

SK-6

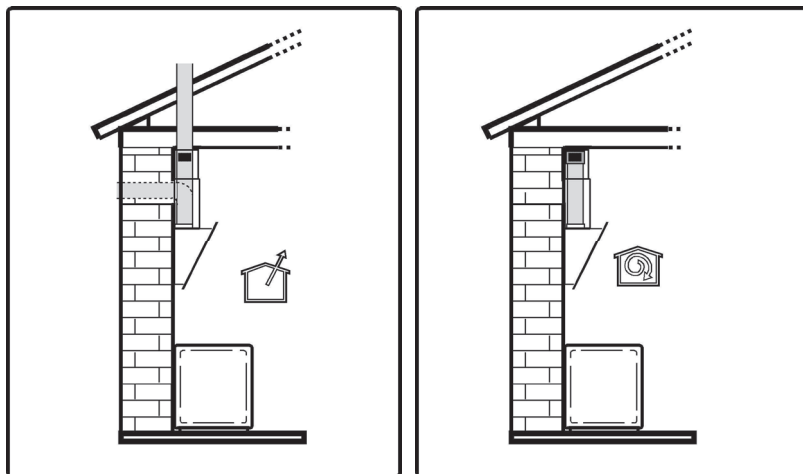


1. Komín
2. Kryt
3. Elektronický prepínač
4. LED svetlo
5. Tukový filter
6. Motor

3. ČASŤ: INŠTALÁCIA

Použitie

Odsávač je navrhnutý tak, aby bol použitý buď na odťah do komína alebo recirkuláciu.



Odťah do komína

V tomto prípade sú výpary odvádzané mimo budovy pomocou špeciálneho potrubia pripojeného so spájacím krúžkom umiestneným v hornej časti odsávača.

Pozor! Odsávacie potrubie je súčasťou balenia. (Ø150 - Ø153 mm)

Priemer odsávacieho potrubia sa musí zhodovať s priemerom spájacieho krúžku.

Pozor! Filter s aktívnym uhlím nie je súčasťou balenia. Ak je odsávač dodávaný s filtrom s aktívnym uhlím, je potrebné ho vybrať.

Pripojte odsávač a výpustné otvory na stene s priemerom zodpovedajúcim výstupu vzduchu (pripojovacia príruka).

Použitie potrubia a výpustných otvorov na stene s menším rozmerom spôsobí zníženie výkonu odsávania a výrazné zvýšenie hluku.

V tomto prípade preto odmietame niešť akúkoľvek zodpovednosť.

! Použite potrubie s minimálnou nevyhnutnou dĺžkou.

! Použite potrubie s najmenším možným počtom kolien (maximálny uhol kolena: 90°).

! Vyhýbajte sa drastickým zmenám v priereze potrubia.



Recirkulácia

Nasávaný vzduch bude zbavený tuku a zápachu predtým, ako bude nasmerovaný späť do miestnosti.

Aby ste mohli používať odsávač v tomto prevedení, budete musieť nainštalovať systém dodatočného filtrovania na báze aktívneho uhlia.

Pozor! Filter s aktívnym uhlím nie je súčasťou balenia a je potrebné ho zakúpiť.

Elektrické pripojenie

Zdroj napájania elektrickou energiou musí zodpovedať hodnote uvedenej na štítku umiestnenom vo vnútri odsávača. Ak je spotrebič vybavený zástrčkou, po inštalácii pripojte odsávač k elektrickej zásuvke v súlade s platnými predpismi a umiestnením na dostupnom mieste. Ak nie je vybavený zástrčkou (priem sieťové pripojenie) alebo ak sa zástrčka nenachádza na prístupnom mieste, po inštalácii použite dvoj pólový spínač v súlade s normami, ktorý zabezpečí úplné odpojenie od elektrickej siete v podmienkach týkajúcich sa prúdového preťaženia kategórie III, v súlade s inštalacími pokynmi.

Varovanie! Pred opätovným pripojením okruhu odsávača k elektrickej sieti a kontrolou funkcie účinnosti, vždy skontrolujte či je správne pripojený napájací kábel.

Odsávač je vybavený špeciálnym napájacím káblom; ak je kábel poškodený, vyžiadajte si nový v servisnom stredisku.

Montáž

Pred začatím inštalácie:

- Skontrolujte, či je zakúpený výrobok vhodnej veľkosti pre zvolené miesto inštalácie.
- vyberte filter s aktívnym uhlím, ak je súčasťou dodávky. Tento/tieto je/sú namontované len vtedy, ak chcete používať odsávač vo filtračnej verzii.
- Skontrolujte (z dôvodu prepravy), či sa v odsávači nenachádza žiaden iný dodávaný materiál (napr. balíček so skrutkami, návod, atď.), poprípade ho vyberte a odložte na bezpečné miesto.
- Odstráňte pásku na prieduchu.
- Spotrebič vypnite a odpojte od elektrickej zásuvky.

V prípade prítomnosti panelov a/alebo stien a/alebo bočných stenových jednotiek skontrolujte, či je dostatočný priestor na inštaláciu odsávača a či je jednoduchý prístup k ovládacímu panelu.

Rozpínacie hmoždinky sú určené na zaistenie odsávača vo väčšine typov stien/stropov. Avšak kvalifikovaný technik musí overiť vhodnosť materiálov podľa typu steny/stropu. Stena/strop musí byť dostatočne silný na to, aby uniesol váhu odsávača. **Neobkladajte, nešpárujte ani nelepte tento spotrebič k stene silikónom.**

Používajte len povrchovú montáž.

Minimálna vzdialenosť medzi nosnou plochou pre varný spotrebič a najnižšou časťou odsávača pár nesmie byť menej ako 45 cm pri elektrických sporákoch a 55 cm od plynových alebo kombinovaných sporákov. Ak inštaláčne pokyny pre plynové varné panely určujú väčšiu vzdialenosť, musíte tieto pokyny dodržať.

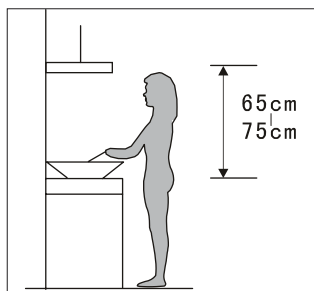
Len pri niektorých modeloch

Estetický dymovod si môžete zakúpiť ako voliteľné príslušenstvo. Overte si u autorizovaného predajcu možnosť, či je táto možnosť predpokladaná pri konkrétnom modeli.

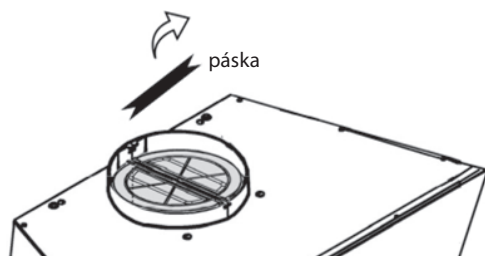
Odsávač pár odporúčame nainštalovať po zakúpení dymovodu, aby ste si overili najvhodnejšiu inštaláciu.

Inštalčný postup

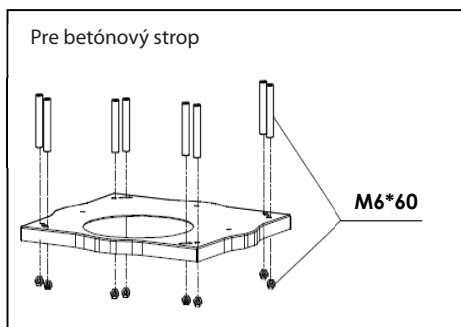
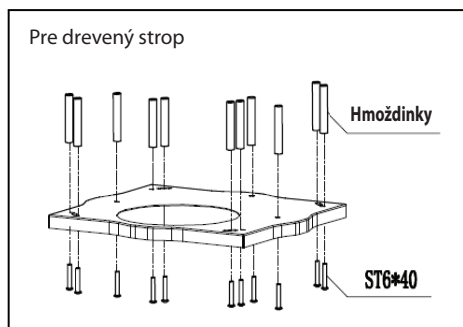
- Odsávač pár by mal byť nainštalovaný tak, aby bol priestor 650 - 750 cm od stredu sieťky tukových filtrov k varnému panelu. Výrobca varného panela určuje požadovanú vzdialenosť a musí byť dodržaná vzdialenosť citovaná výrobcom varného panela. V prípade absencie akýchkoľvek pokynov dodávaných s plynovým varným panelom, musí byť minimálna vzdialenosť medzi varným panelom a odsávačom minimálne 760 mm.



- Dvakrát skontrolujte, či bola odstránená páska na prieduchu.



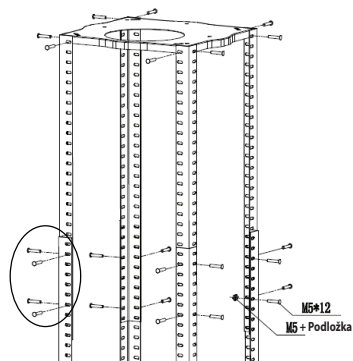
- Umiestnite závesnú platňu na strop a potom označte pozície otvorov pre skrutky. Závesná platňa musí byť pevne zaistená k stropu, pomocou 11 x ST6 x 40 mm skrutiek pre drevený strop (11 x hmoždiniek je voliteľné príslušenstvo, prijateľné sú fixné alebo nefixované.) 8 x rozperných skrutiek (M6*60) pre betónový strop



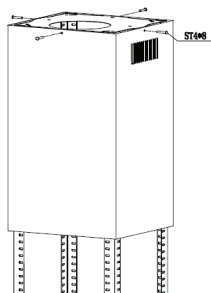
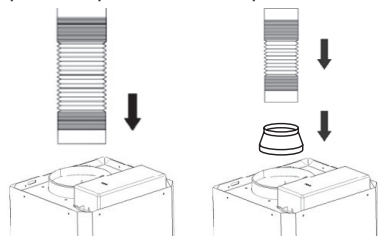
- Pomocou skrutiek a matíc 8 x M5 upevnite rohové držiaky k závesnej platni. Umiestnite rohové držiaky do požadovanej výšky a následne ich upevnite do danej polohy pomocou 16 x M5 skrutiek a matíc s kovovými podložkami.

DÔLEŽITÉ: Rohové držiaky musia byť prekrytie NAJMENEJ 100 mm.

DÔLEŽITÉ: Kovové podložky by mali byť pridané v tomto kroku. (Podložky 0,8*5,2*10, 16 ks.)



- Súčasťou balenia je odsávacie potrubie s rozmerom $\text{Ø}150 - \text{Ø}153$ mm. Pri voľbe verzie s odťahom do komína, umiestnite na odsávač odsávacie potrubie ($\text{Ø}150 - \text{Ø}153$ mm). Odsávacie potrubia s koncom $\text{Ø}153$ mm by mala byť pripojená k odsávaču. Ak potrebujete použiť potrubie s rozmermi $\text{Ø}120 - \text{Ø}123$ mm (nie je súčasťou dodávky), najskôr použite adaptér (nie je súčasťou dodávky). V prípade voľby recirkulácie, nie je potrebné použiť odsávacie potrubie.



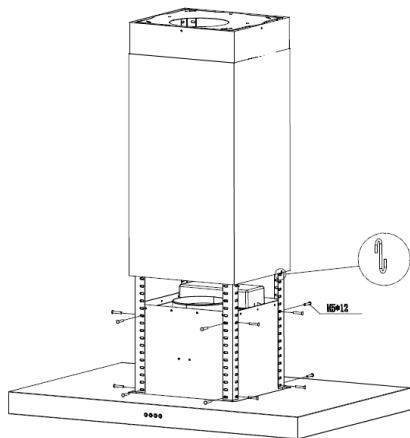
- Nasuňte spodnú časť komína na rohové držiaky a zdvihnite ho tak, aby zapadol tesne pod hornú časť komína. Potom zdvihnite spodnú časť komína a zaistíte ho pomocou závesného háčika v tvare písmena S, na zaistenie pohodlnej nasledujúcej montáže.

Poznámka: uistite sa, či môžu byť výpustné otvory zakryté spodnou časťou komína.

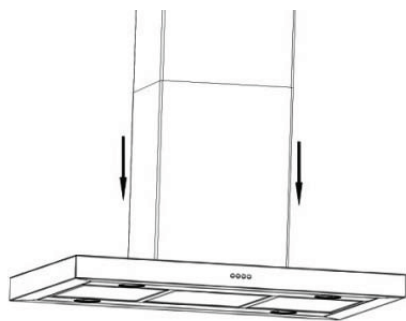
Zdvihnite hlavné telo odsávača pár na rohový držiak a zaistíte ho v danej polohe pomocou skrutiek 16 x M5.

DÔLEŽITÉ: Túto fázu inštalačného procesu MUSIA vykonávať dve osoby.

DÔLEŽITÉ: Skrutky 16 x M5 MUSIA byť pevne dotiahnuté.



- Zložte závesný háčik a potom nasuňte spodnú časť komína smerom dole, pokiaľ nezapadne na hlavné telo odsávača pár.




Z bezpečnostných dôvodov používajte vždy upevňovacie a montážne skrutky rovnakej veľkosti, ako je odporúčané v tomto návode na obsluhu.

Pri nedodržaní inštalácie skrutiek alebo upevnení jednotky v súlade s týmito pokynmi, môže dôjsť k úrazu elektrickým prúdom.

4. ČASŤ: PREVÁDZKA


4 rýchlostný Päť dotykových ovládacích tlačidiel



- 1** **Pomalá intenzita:** Použité túto úroveň intenzity pre pomalé pečenie a varenie so zatvorenými varnými nádobami. Táto úroveň sa používa na varenie s nižšími emisiami pary.
- 2** **Stredná intenzita:** Ide o ideálnu štandardnú intenzitu pre normálne prostredie varenia.
- 3** **Maximálna intenzita:** Ak máte v kuchyni veľa pary, použite túto úroveň na intenzívne odvetranie.
- B** **Intenzívna úroveň:** Extra vysoký výkon pre intenzívne prúdenie vzduchu. Po 5 minútach činnosti v tomto režime, sa spotrebič automaticky prepne na tretiu rýchlosť.
-  **Tlačidlo svetla:** Slúži na zapnutie a vypnutie osvetlenia.

4 rýchlostný elektronický prepínač



- 1** **Pomalá intenzita:** Použite túto úroveň intenzity pre pomalé pečenie a varenie so zatvorenými varnými nádobami. Táto úroveň sa používa na varenie s nižšími emisiami pary.
- 2** **Stredná intenzita:** Ide o ideálnu štandardnú intenzitu pre normálne prostredie varenia.
- 3** **Maximálna intenzita:** Ak máte v kuchyni veľa pary, použite túto úroveň na intenzívne odvetranie.
- B** **Intenzívna úroveň:** Extra vysoký výkon pre intenzívne prúdenie vzduchu.
Po 5 minútach činnosti v tomto režime, sa spotrebič automaticky prepne na tretiu rýchlosť.
-  **Tlačidlo svetla:** Slúži na zapnutie a vypnutie osvetlenia.

5. ČASŤ: ÚDRŽBA A ČISTENIE

Čo sa týka výmeny žiarovky, čistenia a údržby spotrebiča, pozrite si prosím nižšie uvedené odseky tohto návodu na obsluhu.

Pozor!

Pred čistením spotrebič vypnite a odpojte sieťovú zástrčku od elektrickej zásuvky.

I. Pravidelné čistenie

Použite mäkkú tkaninu navlhčenú vo vlažnej mydlovej vode alebo čistiacom prostriedku používanom v domácnosti. Na čistenie spotrebiča nikdy nepoužívajte kovové drôtenky, chemikálie, abrazívne materiály alebo tvrdú kefu.

II. Čistenie tukového filt a jedenkrát za mesiac

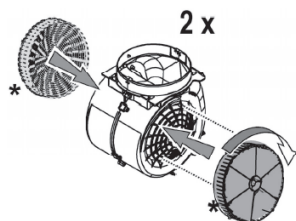
NEVYHNUTNÉ: Filter čistite každý mesiac, aby sa zabránilo nebezpečenstvu vzniku požiaru.

Filter zhromažďuje tuk, dym a prach, takže tento filter priamo ovplyvňuje účinnosť odsávača pár. Ak nie je filter vyčistený, zvyšky tuku (potenciálne horľavé) sa nahromadia na filtri. Filter vyčistite pomocou domáceho čistiaceho prostriedku.

III. Filter s aktívnym uhlím (len pri filt ačnom prevedení)

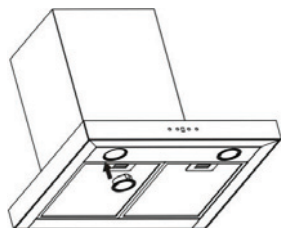
Tento filter absorbuje nepríjemné zápachy, ktoré vznikajú pri varení.

K nasýteniu filtra s aktívnym uhlím dochádza po viacnásobnom alebo dlhodobom používaní, v závislosti od typu varenia a pravidelnosti čistenia tukového filtra. V každom prípade je potrebné vymeniť náplň najmenej každé štyri mesiace (alebo keď systém indikácie nasýtenia filtra – ak predpokladáme, že je súčasťou daného modelu – upozorňuje na túto nevyhnutnosť). Filter s aktívnym uhlím sa NEMIE umývať ani regenerovať.



IV. Výmena žiarovky

1. Spotrebič vypnite a odpojte od elektrickej siete.
2. Otvorte odsávač pár a vyberte filtre.
3. Uvoľnite svorky svetla a vyberte svetlo vonku.
4. Nahradte ho rovnakým typom svetla.



6. ČASŤ: SKÔR AKO ZAVOLÁTE DO SERVISNÉHO STREDISKA

Ak spotrebič nefunguje podľa očakávania, skontrolujte nasledujúce odporúčania na odstránenie najbežnejších problémov.

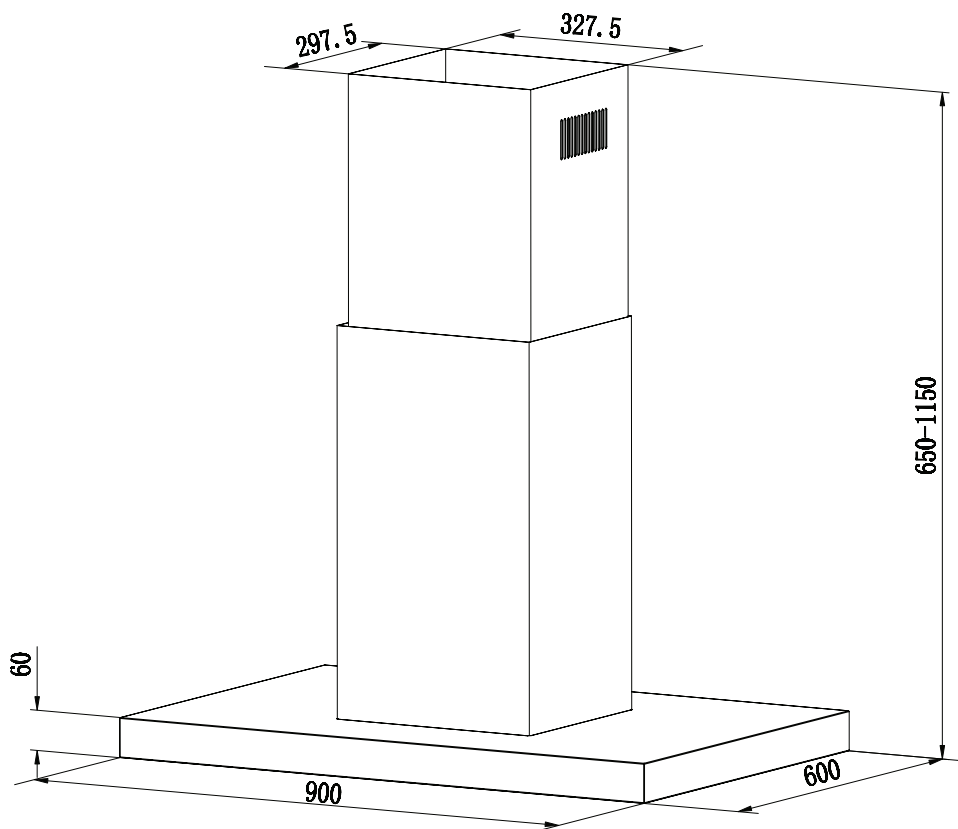
Ak daný problém pretrváva, alebo nie je uvedený v tabuľke nižšie, vypnite spotrebič a odpojte ho od elektrickej zásuvky a obráťte sa na autorizované servisné stredisko.

Problém	Riešenie
Odsávač pár nefunguje.	Skontrolujte, či je sieťová zástrčka správne zasunutá do vhodne uzemnenej elektrickej zásuvky s parametrami 220 – 240 V ~ 50 Hz.
	Skontrolujte, či je prepínač napájania motora v polohe „Zap.“.
Osvetlenie nefunguje.	Skontrolujte, či je sieťová zástrčka správne zasunutá do vhodne uzemnenej elektrickej zásuvky s parametrami 220 – 240 V ~ 50 Hz.
	Skontrolujte, či je prepínač napájania motora v polohe „Zap.“.
	Skontrolujte, či nie je žiarovka alebo žiarivka poškodená.
Výkon odsávania je slabý.	Skontrolujte, či nie sú znečistené hliníkové filtre.
	Skontrolujte, či je otvorený výstup vzduchu.
	Skontrolujte, či nie je filter s aktívnym uhlím veľmi znečistený.
Odsávač pár neodsáva vzduch priamo (pri modeloch bez odvodu vzduchu).	Skontrolujte, či nie sú znečistené hliníkové filtre.
	Skontrolujte, či nie je filter s aktívnym uhlím veľmi znečistený.

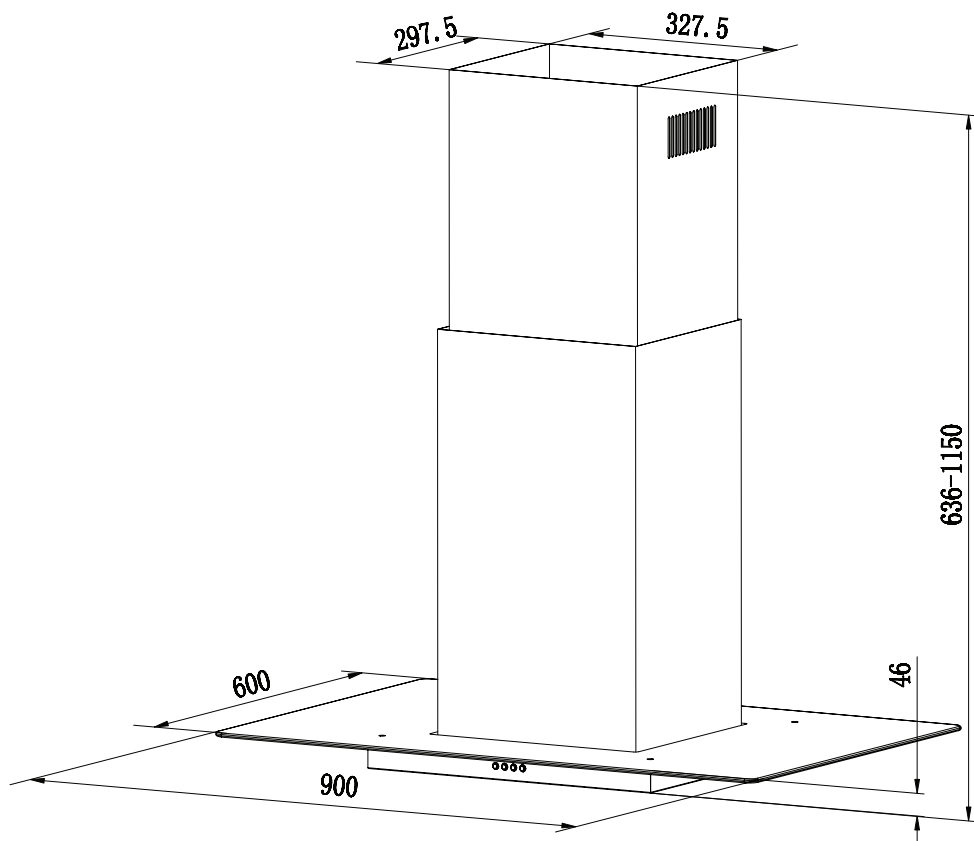
POZOR:

Odsávač párs používajte spolu so sporákom. Tak sa zaistí správne odsávanie vzduchu. Odporúčame ponechať odsávač párs v prevádzke o niekoľko minút dlhšie ako sporák, aby sa zabezpečilo odsatie všetkých zápachov.

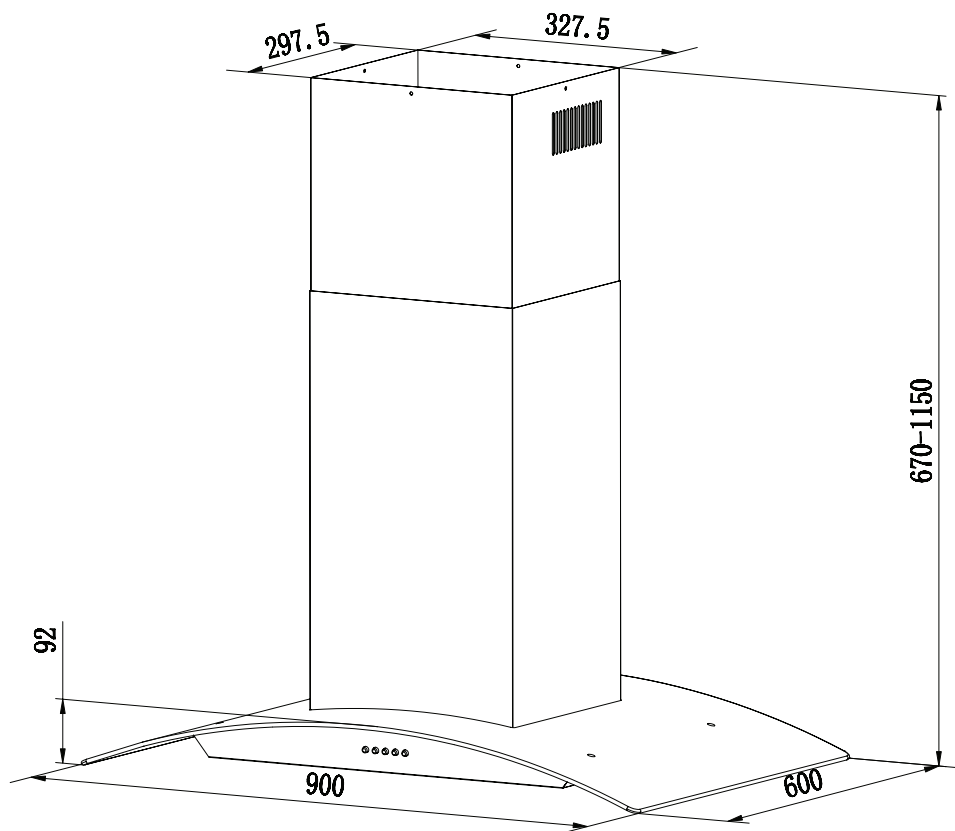
Technický nákres PEI 729 TCD



Technický nákres PEI 619 TG



Technický nákres PEI 619 TCG



POKYNY A INFORMÁCIE TÝKAJÚCE SA LIKVIDÁCIE POUŽITÝCH OBALOVÝCH MATERIÁLOV

Obalové materiály zlikvidujte na verejnom mieste pre likvidáciu odpadu.

LIKVIDÁCIA POUŽITÝCH ELEKTRICKÝCH A ELEKTRONICKÝCH SPOTREBIČOV



Význam symbolu na výrobku, jeho príslušenstve alebo obale znamená, že s týmto výrobkom nesmie byť zaobchádzané ako s komunálnym odpadom. Tento výrobok zlikviduje na príslušnom zbernom mieste pre recykláciu odpadu z elektrických a elektronických zariadení. Popríklad je možné v niektorých štátoch Európskej únie alebo iných európskych štátoch vrátiť svoje výrobky miestnemu predajcovi, v prípade kúpy podobného nového výrobku. Správna likvidácia tohto výrobku pomôže ušetriť cenné prírodné zdroje a pomôcť pri prevencii prípadného negatívneho vplyvu na životné prostredie a ľudské zdravie, ku ktorému by mohlo dôjsť v dôsledku nesprávnej likvidácie odpadu. Podrobnejšie informácie získate od miestneho úradu alebo v najbližšom stredisku pre zber odpadu. Nesprávna likvidácia tohto typu odpadu môže podliehať vnútroštátnym predpisom o pokutách.

Pre podnikateľské subjekty v Európskej únii

Ak chcete zlikvidovať elektrické alebo elektronické zariadenie, vyžiadajte si potrebné informácie od svojho predajcu alebo dodávateľa.

Likvidácia v iných štátoch mimo Európskej únie

Ak chcete zlikvidovať tento výrobok, vyžiadajte si nevyhnutné informácie o správnom spôsobe likvidácie od miestnych úradov alebo svojho predajcu.



Tento výrobok spĺňa všetky základné požiadavky nariadenia EÚ, ktoré sa naň vzťahujú.

Zmeny v texte, dizajne a technických údajoch sa môžu vyskytnúť bez predchádzajúceho upozornenia a vyhradzuje si právo vykonať tieto zmeny.

Manufacturer/Importer:
Fast ČR, a.s.
Praha 10, Černokostecká 2111
CZ-10000; CZECH REPUBLIC

PHILCO[®] 

**is a registered trademark used under license from
Electrolux Home Products., Inc.**