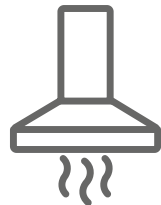


Amica

OPERATING INSTRUCTIONS
GEBRAUCHSANWEISUNG
INSTRUKCJA OBSŁUGI
NÁVOD K OBSLUZE
NÁVOD NA OBSLUHU
INSTRUCȚIUNE DE DESERVIRE
HASZNÁLATI UTASÍTÁS
ИНСТРУКЦИЯ ЗА ОБСЛУЖВАНЕ
MANUAL DE INSTRUCCIONES
MANUAL DE INSTRUÇÕES

EN
DE
PL
CS
SK
RO
HU
BG
ES
PT

Kitchen extractor hood / kaminhaube / okap
nadkuchenny / kuchyňského odsavače /
kuchynského odsávača / Hotă de bucătărie /
tűzhely feletti páraelszívó / кухненски аспиратор /
Campana extractora de cocina / Exaustor de cozinha



OKP6547S / OKP6547SW / SKZ 65 BW / SKZ 65 BB



IO-HOO-0628/5
(11.2018)

EN- Table of contents

NOTES ON SAFETY	7
UNPACKING	10
DISPOSAL OF OLD APPLIANCE	10
OPERATION	11
KITCHEN HOOD CONTROLS	11
OFF-TIMER	11
OTHER IMPORTANT INFORMATION CONCERNING THE OPERATION OF THE HOOD	12
CLEANING AND MAINTENANCE	13
MAINTENANCE	13
GREASE FILTER	13
ACTIVATED CHARCOAL FILTER	13
LIGHT	13
WARRANTY AND AFTER SALES SERVICE	14
WARRANTY	14

DE- Inhaltsverzeichnis

SICHERHEITSHINWEISE	16
AUSPACKEN	20
ENTSORGUNG VON ALTGERÄTEN	20
BEDIENUNG	21
STEUERUNG DER DUNSTABZUGSHAUBE	21
TIMER (AUSSCHALTVERZÖGERUNG DER DUNSTABZUGSHAUBE)	21
ANDERE WICHTIGE INFORMATIONEN ZUR BEDIENUNG DER DUNSTABZUGSHAUBE	22
REINIGUNG UND WARTUNG	22
WARTUNG	22
FETTFILTER	23
AKTIVKOHLEFILTER	23
BELEUCHTUNG	23
GARANTIE, NACHVERKAUF-SERVICE	24
GARANTIE	24

PL- Spis treści

WSKAZÓWKI DOTYCZĄCE BEZPIECZEŃSTWA	26
ROZPAKOWANIE	30
USUWANIE ZUŻYTYCH URZĄDZEŃ	30
OBSŁUGA	31
STEROWANIE OKAPEM	31
TIMER (OPÓŹNIONE WYŁĄCZENIE OKAPU)	31
INNE WAŻNE INFORMACJE DOTYCZĄCE OBSŁUGI OKAPU	32
CZYSZCZENIE I KONSERWACJA	33
KONSERWACJA	33
FILTR PRZECIWTŁUSZCZOWY	33
FILTR WĘGLOWY	33
OŚWIETLENIE	33
GWARANCJA, OBSŁUGA POSPRZEDAŻOWA	34
GWARANCJA	34

CS- Obsah

BEZPEČNOSTNÍ POKYNY	36
VYBALENÍ	39
LIKVIDACE OPOTŘEBOVANÝCH ZAŘÍZENÍ	39
OBSLUHA	40
OVLÁDÁNÍ ODSAVAČE	40
ČASOVAČ (OPOŽDĚNÉ VYPNUTÍ ODSAVAČE)	40
JINÉ DŮLEŽITÉ INFORMACE O OBSLUZE ODSAVAČE	41
ČISTĚNÍ A UDRŽBA	42
ÚDRŽBA	42
PROTITUKOVÝ FILTR	42
UHLÍKOVÝ FILTR	42
OSVĚTLENÍ	42
ZÁRUKA, POPRODEJNÍ SERVIS	43
ZÁRUKA	43

SK- Obsah

BEZPEČNOSTNÉ POKYNY POUŽÍVANIA	45
ROZBALENIE	49
LIKVIDÁCIA ZARIADENÍ	49
OBSLUHA	50
OVLÁDANIE ODSÁVAČA	50
ČASOVAČ (ONESKORENÉ VYPNUTIE ODSÁVANIA)	50
INÉ DŮLEŽITÉ INFORMÁCIE TÝKAJÚCE SA POUŽÍVANIA ODSÁVAČA	51
ČISTENIE A UDRŽBA	52
KONZERVÁCIA	52
PROTITUKOVÝ FILTER	52
UHLÍKOVÝ FILTER	52
OSVETLENIE	52
ZÁRUKA, POPREDAJNÝ SERVIS	53
ZÁRUKA	53

RO - Cuprins

INDICAȚII PRIVIND SIGURANȚA	55
DESPACHETARE	59
ÎNDEPĂRTAREA DISPOZITIVELOR UZATE	59
OPERARE	60
CONTROL HOTĂ	60
TIMER (ÎNȚĂRZIE OPRIREA HOTEI)	60
ALTE INFORMAȚII IMPORTANTE PENTRU OPERAREA HOTEI	61
CURĂȚAREA ȘI ÎNTREȚINEREA	62
ÎNȚEȚINERE	62
FILTRUL ÎMPOTRIVA GRĂSIMILOR	62
FILTRUL DE CARBON	62
SISTEM DE ILUMINARE	62
GARANȚIE, SERVICII POSTVÂNZARE	63
GARANȚIA	63

HU - Tartalomjegyzék

BIZTONSÁGI UTASÍTÁSOK	65
KICSOMAGOLÁS	69
A HASZNÁLT KÉSZÜLÉKEK ELTÁVOLÍTÁSA	69
HASZNALAT	70
A PÁRAELSZÍVÓ VEZÉRLÉSE	70
TIMER (A PÁRAELSZÍVÓ KÉSLELTETETT KIKAPCSOLÁSA)	70
A PÁRAELSZÍVÓ MŰKÖDÉSÉVEL KAPCSOLATOS EGYÉB FONTOS INFORMÁCIÓK	71
TISZTÍTÁS ÉS KARBANTARTÁS	72
KARBANTARTÁS	72
ZSÍRSZŰRŐ	72
SZÉNSZŰRŐ	72
VILÁGÍTÁS	72
GARANCIA ÉS VÁSÁRLÁS UTÁNI SZERVIZ	73
GARANCIA	73

BG - Съдържание

ПРЕПОРЪКИ ОТНОСНО БЕЗОПАСНОСТТА	75
РАЗОПАКОВАНЕ	79
ОБЕЗВРЕЖДАНЕ НА ИЗНОСЕНИ УРЕДИ	79
ОБСЛУЖВАНЕ	80
УПРАВЛЕНИЕ НА АБСОРБАТОРА	80
ТАЙМЕР (ИЗКЛЮЧВАНЕ НА АБСОРБАТОРА СЪС ЗАКЪСНЕНИЕ)	80
ДРУГИ ВАЖНИ ИНФОРМАЦИИ ЗА ОБСЛУЖВАНЕТО НА АБСОРБАТОРА	81
ПОЧИСТВАНЕ И ПОДДРЪЖКА	82
ПОДДРЪЖКА	82
ФИЛТЪР ЗА МАЗНИНИ	82
ВЪГЛЕН ФИЛТЪР	82
ОСВЕТЛЕНИЕ	82
ГАРАНЦИЯ, СЛЕД ПРОДАЖБЕНО ОБСЛУЖВАНЕ	83
ГАРАНЦИЯ	83

ES - Tabla de contenidos

INDICACIONES RELACIONADAS CON SEGURIDAD	85
DESEMBALAJE	89
ELIMINACIÓN DE APARATOS USADOS	89
USO	90
CONTROL DE CAMPANA	90
TEMPORIZADOR (RETRASO DE LA DESACTIVACIÓN DE LA CAMPANA)	90
OTRA INFORMACIÓN IMPORTANTE RELATIVA AL USO DE LA CAMPANA	91
LIMPIEZA Y CONSERVACIÓN	92
MANTENIMIENTO	92
FILTRO DE GRASA	92
FILTRO DE CARBÓN	92
ILUMINACIÓN	92
GARANTÍA, ATENCIÓN DE POST VENTA	93
GARANTÍA	93

PT - Índice

CONSELHOS DE SEGURANÇA	95
DESEMPACOTAMENTO	99
ELIMINAÇÃO DE APARELHOS GASTOS	99
UTILIZAÇÃO	100
CONTROLO DO EXAUSTOR	100
TIMER (DESLIGAMENTO ATRASADO DO EXAUSTOR)	100
OUTRAS INFORMAÇÕES IMPORTANTES SOBRE A UTILIZAÇÃO DO EXAUSTOR	101
LIMPEZA E MANUTENÇÃO	102
MANUTENÇÃO	102
FILTRO DE GORDURA	102
FILTRO DE CARVÃO	102
ILUMINAÇÃO	102
GARANTIA, SERVIÇO PÓS-VENDA	103
GARANTIA	103

Dear customer,

From now on, your daily housework will be easier than ever before. Your appliance **Amica** is exceptionally easy to use and extremely efficient. After reading these Operating Instructions, operating the appliance will be easy.

Before being packaged and leaving the manufacturer, the appliance was thoroughly checked with regard to safety and functionality.

Before using the appliance, please carefully read these Operating Instructions. By following these instructions carefully you will be able to avoid any problems in using the appliance. It is important to keep these Operating Instructions and store them in a safe place so that they can be consulted at any time.

Follow these instructions carefully in order to avoid possible accidents.

Sincerely,

Amica

NOTES ON SAFETY

- Before using the appliance, please carefully read this manual!
- The appliance is designed for household use only.
- The manufacturer reserves the right to introduce changes, which do not affect operation of the appliance.
- The manufacturer shall not be liable for any damage or fire caused by the appliance resulting from failure to follow instructions in this manual.
- Cooker hood is designed to remove cooking odours. Do not use cooker hood for other purposes.
- Connect the cooker hood operating in extraction mode to a suitable ventilation duct (do NOT connect the cooker to smoke or flue gas ducts, which are in use). It requires installation of the air extraction duct to the outside. The length of the duct (usually a pipe of Ø 120 or 150 mm) should not be longer than 4-5 m. An air extraction duct is also required for telescopic and furniture hoods in absorption mode.
- Cooker hood operating in air recirculation mode requires the installation of an activated charcoal filter. In this case, installing an extractor duct is not required, however it is recommended to install an air guide vane (Mainly in chimney cooker hoods).
- The cooker hood features independent lighting and exhaust fan that can be operated at one of several speeds.
- Depending on the type, the hood is designed to be permanently attached to a vertical wall over a gas or electric stove (chimney and universal hoods); on the ceiling over a gas or electric stove (island hoods); on the vertical built in furniture over a gas or electric stove (telescopic and built-in hoods). Before installing, make sure that the

wall/ceiling structure is strong enough to suspend the hood. Some hoods are very heavy.

- For details of the installation distance above an electric hob please refer to product technical sheet. If the installation instructions of the gas cooker specify a greater distance, this must be taken into account (Fig. 1).
- Do not leave an open flame under the hood. When the pots are removed from the burner, set the minimum flame. Always make sure that the flame does not extend outside the pot, because it causes unwanted loss of energy and a dangerous concentration of heat.
- When cooking on fat, supervise the pans constantly, because overheated fat can ignite.
- Unplug the appliance before any cleaning, replacing the filter or repair work.
- Cooker hood grease filter should be cleaned at least once a month, because the filter saturated with fat is flammable.
- Ensure adequate ventilation (air flow) if other equipment such as liquid fuel stoves or heaters are operated in the room in addition to the cooker hood. When the cooker hood is simultaneously operated with burning appliances requiring adequate fresh air from the room to work properly, their safe operation is possible if under pressure around these appliances is a maximum of 0.004 mbar (this does not apply when the cooker hood is used as an odour filter)
- Do not lean on the hood.
- The hood should be cleaned regularly both inside and out (AT LEAST ONCE A MONTH, following the indications concerning maintenance provided in this manual).. Failure to adhere to the rules concerning cleaning the hood and replacing filters results in a fire risk.
- If the power cord is damaged it should be replaced by a specialised service centre.
- Ensure that it is possible to disconnect the ap-

pliance from the mains by removing the plug or switching off the bi-polar switch.

- This appliance is not intended for use by persons (including children) with physical, mental or sensory handicaps, or by persons inexperienced or unfamiliar with the appliance, unless under supervision or in accordance with the instructions as communicated to them by persons responsible for their safety.
- Particular attention should be paid not to allow unaccompanied children to use the appliance.
- Make sure voltage indicated on the nameplate corresponds to the local mains supply voltage.
- Before use, extend and straighten the power cord.
- Packaging materials (bags, polyethylene, polystyrene, etc.) should be kept away from children during unpacking.
- Before connecting the hood to the mains power supply always check that the power cord is properly installed and is not trapped by the appliance. Do not connect the appliance to the mains until assembly is complete.
- Do not operate your kitchen hood without the aluminium grease filters.
- It is strictly forbidden to cook dishes under on an open flame (flambé) under your kitchen hood.
- Always strictly adhere to regulations issued by the competent local authorities regarding the technical and safety requirements for fume extraction.
- Failing to tighten bolts and fasteners in accordance with these instructions may endanger life and health.
- Hanging kitchen hoods operate only in air circulation / odour absorber mode
- **WARNING!** Failure to install the screws or fixing device in accordance with these instructions may result in electrical hazards.

UNPACKING

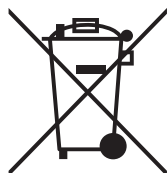


During transportation, protective packaging was used to protect the appliance against any damage. After unpacking, please dispose of all elements of packaging in a way that will not cause damage to the environment.

All materials used for packaging the appliance are environmentally friendly; they are 100% recyclable and are marked with the appropriate symbol.

Important! Packaging materials (bags, polyethylene, polystyrene, etc.) should be kept away from children during unpacking.

DISPOSAL OF OLD APPLIANCE



In accordance with European Directive 2012/19/EU and Polish legislation regarding used electrical and electronic goods, this appliance is marked with the symbol of the crossed-out waste container. This marking indicates that the appliance must not be disposed of together with other household waste

after it has been used.

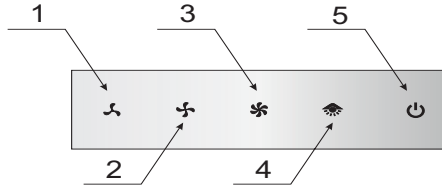
The user is obliged to hand it over to waste collection centre collecting used electrical and electronic goods. The collectors, including local collection points, shops and local authority departments provide recycling schemes.

Proper handling of used electrical and electronic goods helps avoid environmental and health hazards resulting from the presence of dangerous components and the inappropriate storage and processing of such goods.

OPERATION

Kitchen hood controls

Control Panel is shown in Figure 4, for reference it is also shown below:



The control panel is equipped with touch controls:

To turn on the kitchen hood, touch one of the sensors to select the desired speed:

- 1- Low speed. Use this speed when cooking a little food with hardly any fumes.
- 2- Medium speed. Use this speed when cooking multiple dishes at the same time with moderate amount of fumes.
- 3- High speed. Use this speed when frying or grilling, with large amount of fumes.
- 4- Turn Standby mode on/off
- 5- Turn light on/off

Note:

- To use one of the three speeds, first touch the ⏻ to turn on the Standby mode and then select the desired speed. To turn off the active speed, touch the backlit sensor again.
- To turn on the light, first activate the Standby mode.
- When you turn off the Standby mode, the appliance fan and light will turn off.
- Touch ⏻ twice to turn off the hood when fan is operating.

Off-Timer

Use Off-Timer to turn off the hood after a specified time. Use Off-Timer to filter the fumes out of the air after cooking. The delay time is about 15 minutes. Touch ⏻ to activate the Off-Timer at any time. Sensor flashes. Flashing indicates that Off-Timer has been enabled. Touch ⏻ again to cancel the Off-Timer. The appliance will turn off. To turn on the appliance, touch the sensor corresponding to the desired fan speed.

Other important information concerning the operation of the hood

Operation in air circulation / odour filter mode. In this mode, the filtered air returns to the room through the outlets. Install activated charcoal filter in this setting. It is recommended to install the air guide (available depending on the model, mainly in chimney cooker hoods).

Air extraction operation: When cooker hood operates in extraction mode, air is discharged outside through an extraction duct. Remove activated charcoal filter in this setting. The cooker hood is connected to the air outlet opening using a rigid or flexible extraction duct with a diameter of 150 or 120 mm, and the appropriate clamps, which must be purchased at a hardware store. The appliance should be installed by a qualified installer.

Fan speed: Lowest and medium fan speed is used in normal conditions and less intense odours, while the highest speed is used only when cooking odours are very intense, such as during frying or grilling.

Note (applies to universal hoods only): Due to the design of universal hoods you need to manually change the mode of operation. See Figure 8 for instructions on how to change the mode.

Note (only applies to telescopic and in-built kitchen hoods): Furniture and telescopic cooker hoods operating in air recirculation mode require installation of the exhaust duct. The other end of the duct should be directed to the room as it will discharge filtered air.

Note: Hanging kitchen hoods operate only in air circulation / odour absorber mode

CLEANING AND MAINTENANCE

Maintenance

Regular maintenance and cleaning of the appliance will ensure trouble-free operation of the cooker hood and extend its life. Especially make sure that the grease filter and activated charcoal filter are replaced according to manufacturer's recommendations.

- Do not use a soaked cloth, sponge, or water jet.
- Do not use solvents or alcohol, as they may tarnish lacquered surfaces.
- Do not use caustic substances, especially for cleaning stainless steel.
- Do not use a rough or abrasive cloth.
- It is recommend to use a damp cloth and a neutral detergent.

Note: After several washes in the dishwasher, the colour of the aluminium filter may change. The change of colour does not indicate improprieties or the necessity to change it.

Grease filter

For normal hood operation, aluminium grease filter should be cleaned every month in the dishwasher or by hand using a mild detergent or liquid soap.

Dismantling of aluminium grease filter is shown on Figure 5.

Acrylic filter is used in some models. This filter should be replaced at least once every two months or more frequently if the appliance is used intensively.

Activated charcoal filter

Charcoal filter is used only when the cooker hood is not connected to the ventilation duct. Activated charcoal filter can absorb odours until saturated. Charcoal filter is not suitable for washing or regeneration and should be replaced at least once every two months or more frequently if the appliance is used intensively.

Dismantling of charcoal filter is shown on Figure 6.

Light

Use incandescent / halogen / LED modules of the same specification as those factory-installed in the appliance. See Figure 7 for details how to replace lights. If there is no such figure in this manual, please contact authorised service to replace the lighting module.

WARRANTY AND AFTER SALES SERVICE

Warranty

Warranty service as stated on the warranty card. The manufacturer shall not be held liable for any damage caused by improper use of the product.



The manufacturer recommends that all repairs and adjustments be carried out by the Factory Service Technician or the Manufacturer's Authorized Service Point. Repairs should be carried out by a qualified technician only.

Manufacturer's Declaration

The manufacturer hereby declares that this product meets the requirements of the following European directives:

- **Low Voltage Directive 2014/35/EC**
- **Electromagnetic Compatibility (EMC) Directive 2014/30/EC**
- **ErP Directive 2009/125/EC**
- **Directive RoHS 2011/65/EC**

and has thus been marked with the  symbol and been issued with a declaration of compliance made available to market regulators.

Sehr geehrter Kunde,

Von heute an werden Ihre alltäglichen Pflichten einfacher denn je. Dieses Gerät **Amica** ist eine Verbindung einer außergewöhnlich leichten Bedienung und einer perfekten Effizienz. Nachdem Sie diese Bedienungsanleitung gelesen haben, ist die Bedienung des Gerätes kein Problem mehr.

Bevor das Gerät das Herstellerwerk verlassen konnte, wurde er vor dem Verpacken gründlich auf deren Sicherheit und Funktionalitäten an Prüfständen überprüft.

Bevor das Gerät in Betrieb genommen wird, lesen Sie bitte die Bedienungsanleitung aufmerksam durch. Befolgen Sie die darin stehenden Hinweise, vermeiden Sie verschiedene Bedienfehler. Diese Bedienungsanleitung ist zu erhalten und so aufzubewahren, dass sie jederzeit bei der Hand ist.

Zur Vermeidung möglicher Unfälle befolgen Sie die in der Bedienungsanleitung stehenden Hinweise genau.

Mit freundlichen Grüßen

Amica

SICHERHEITSHINWEISE

- Bitte lesen Sie diese Anleitung vor der Installation des Kaminhaube durch!
- Das Gerät ist ausschließlich für den Einsatz im Haushalt bestimmt.
- Der Hersteller behält sich das Recht vor, Änderungen vorzunehmen, die die Gerätefunktion nicht beeinträchtigen.
- Der Hersteller übernimmt keine Haftung für eventuelle Schäden oder Brände, die durch das Gerät verursacht wurden und sich aus der Nichtbeachtung der in dieser Gebrauchsanweisung angegebenen Hinweise ergeben.
- Die Dunstabzugshaube dient zur Abführung von Gerüchen und Dämpfen. Verwenden Sie die Dunstabzugshaube nicht zu anderen Zwecken.
- Beim Abluftbetrieb muss die Dunstabzugshaube an einen entsprechenden Lüftungskanal angeschlossen werden (nicht an betriebsaktive Kamin-, Rauch- oder Abgaskanäle anschließen!). Es ist dabei erforderlich, eine Leitung zur Abführung der Abluft nach außen zu installieren. Diese Abluftleitung (meistens ein Rohr mit einem Durchmesser von Ø 120 oder 150 mm) sollte maximal 4-5 m lang sein. Die Abluftleitung ist auch bei Teleskop- und Möbeldunstabzugshauben bei Umluftbetrieb erforderlich.
- Beim Umluftbetrieb muss der Aktivkohlefilter installiert werden. In diesem Fall ist es nicht mehr erforderlich, die Leitung zur Abführung der Abluft zu installieren. Zu empfehlen ist dagegen die Montage des Umlenkblechs für die Abluft (nur bei Kaminabzugshauben).
- Die Dunstabzugshaube verfügt über eine unabhängige Beleuchtung sowie einen Abluftventila-

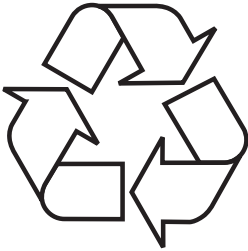
tor mit der Möglichkeit der Einstellung einer der mehreren Leistungsstufen.

- Je nach der Version des Gerätes ist die Dunstabzugshaube für eine dauerhafte Anbringung an einer vertikalen Wand über einem Gas- oder Elektroherd (Kaminabzugshauben und Universalabzugshauben); unter der Decke über einem Gas- oder Elektroherd (Inselabzugshauben); an einer vertikalen Wand in einem Möbelstück über einem Gas- oder Elektroherd (Teleskop- und Möbelabzugshauben) bestimmt. Vergewissern Sie sich vor der Montage, ob die Wand- oder Deckenkonstruktion für die Montage der Dunstabzugshaube geeignet ist und standhalten kann. Manche Modelle der Dunstabzugshauben sind sehr schwer.
- Die Montagehöhe über dem Elektroherd ist im Produktdatenblatt (in der technischen Spezifikation des Gerätes) angegeben. Sollte in der Montageanleitung für Gasherde ein größerer Abstand angegeben sein, so muss dies berücksichtigt werden (Abb. 1).
- Vermeiden Sie offene Flammen unter der Dunstabzugshaube. Wenn Sie das Kochgeschirr von der Gaskochstelle nehmen, stellen Sie die Flamme zuvor auf Minimum. Sorgen Sie immer dafür, dass die Flamme keinesfalls über das Kochgeschirr hinausragt, sonst kommt es zu unerwünschten Energieverlusten und zur gefährlichen Konzentration von Wärme.
- Die Zubereitung der Gerichte mit Fetten muss stets unter Aufsicht erfolgen, da das überhitzte Fett sich schnell selbst entzünden kann.
- Vor jeder Reinigung, Filterwechsel oder vor Durchführung von Reparaturen trennen Sie das Gerät von der Stromversorgung, indem Sie den Stecker aus der Steckdose ziehen.
- Der Fettfilter der Dunstabzugshaube ist mindestens einmal monatlich zu reinigen, denn er ist

- leicht entzündlich, wenn er überfettet ist.
- Sollten im Raum gleichzeitig sowohl die Abzugshaube als andere nicht mit Strom gespeiste Geräte (z.B. Öfen für flüssige Brennstoffe, Durchlauferhitzer, Thermen) betrieben werden, muss für eine ausreichende Belüftung des Raumes (Luftzufuhr) gesorgt werden. Ein sicherer Betrieb der Abzugshaube ist nur dann möglich, wenn bei gleichzeitigem Betrieb der Dunstabzugshaube und anderer, luftverbrauchender Geräte, der Unterdruck in ihrer direkten Nähe den Wert von max. 0,004 mB erreicht (dieser Wert gilt nicht bei Umluftbetrieb der Dunstabzugshaube).
 - Die Dunstabzugshaube darf nicht als Stützfläche für Personen, die sich gerade in der Küche befinden, genutzt werden.
 - Die Dunstabzugshaube sollte sowohl von außen als auch von innen oft (MINDESTENS EINMAL PRO MONAT, unter Beachtung der in dieser Gebrauchsanweisung angegebenen Hinweise zur Wartung des Gerätes) gereinigt werden. Bei Nichtbeachtung der Grundsätze, die die Reinigung der Dunstabzugshaube und den Filterwechsel betreffen, entsteht Brandgefahr.
 - Wird das Netzkabel beschädigt, muss es in einer Fachwerkstatt neu besorgt werden.
 - Die Möglichkeit der Trennung des Gerätes vom Stromnetz durch Ziehen des Steckers aus der Steckdose oder durch Ausschalten des bipolaren Schalters muss gewährleistet werden.
 - Dieses Gerät darf nicht von Personen (einschließlich Kindern) bedient werden, die unter geistigen oder körperlichen Behinderungen leiden oder die nicht über ausreichende Erfahrungen in der Bedienung solcher Geräte verfügen. Eine Ausnahme kann gemacht werden, wenn solche Personen unter Aufsicht eines Verantwortlichen mit dem Gerät arbeiten und/oder gründlich in die Bedienung eingewiesen wurden.

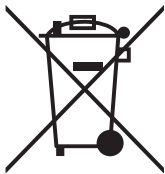
- Es ist besonders darauf zu achten, dass die Kinder ohne Aufsicht das Gerät nicht nutzen.
- Prüfen Sie, ob die auf Typenschild gemachten Angaben zur Spannung den örtlichen Parametern der Stromversorgung entsprechen.
- Das Netzkabel vor der Montage ausrollen und begradigen.
- Die Verpackungsmaterialien (Polyethylenbeutel, Styroporstücke usw.) sind beim Auspacken außer Kinderreichweite zu halten.
- Vor Anschluss der Dunstabzugshaube ans Stromnetz muss immer kontrolliert werden, ob das Netzkabel ordnungsmäßig installiert und während der Montagearbeiten durch die Dunstabzugshaube NICHT eingeklemmt wurde. Vor der Beendigung der Montage darf das Gerät ans Stromnetz nicht angeschlossen werden.
- Es ist verboten, die Dunstabzugshauben ohne installierte Aluminiumfettfilter zu nutzen.
- Es ist streng verboten, Gerichte unter Einsatz offenen Feuers (Flambieren) unter der Dunstabzugshaube zuzubereiten.
- Hinsichtlich der erforderlichen technischen und Sicherheitsmittel im Bereich der Ableitung von Abgasen sind die von den zuständigen Behörden erlassenen Vorschriften streng einzuhalten.
- Wenn die Schrauben und Befestigungselemente entsprechend den vorliegenden Hinweisen und Anleitungen nicht nachgezogen werden, kann dies eine Gefahr für Gesundheit und Leben darstellen.
- Die hängenden Dunstabzugshauben arbeiten nur im Umluftbetrieb.
- **ACHTUNG!** Schrauben und Befestigungselemente, die nicht in Übereinstimmung mit diesen Hinweisen sind, können zur elektrischen Gefährdung führen.

AUSPACKEN



Das Gerät wird gegen Transportschäden geschützt. Nach dem Auspacken sind die Verpackungsmaterialien so zu entsorgen, dass dadurch kein Risiko für die Umwelt entsteht. Alle Materialien, die zur Verpackung verwendet werden, sind umweltverträglich, können hundertprozentig wiederverwertet werden und sind mit entsprechendem Symbol gekennzeichnet. Hinweis! Die Verpackungsmaterialien (Polyethylenbeutel, Styroporstücke usw.) sind beim Auspacken außer Kinderreichweite zu halten.

ENTSORGUNG VON ALTGERÄTEN

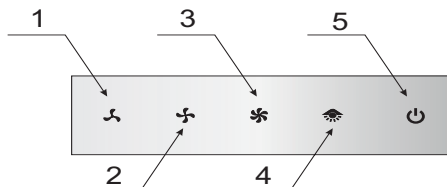


Dieses Gerät wurde gemäß der Europäischen Richtlinie 2012/19/EG sowie dem polnischen Gesetz über verbrauchte elektrische und elektronische Geräte mit dem Symbol eines durchgestrichenen Abfallcontainers gekennzeichnet. Eine solche Kennzeichnung informiert darüber, dass dieses Gerät nach dem Ablauf des Nutzungszeitraumes nicht zusammen mit anderen Hausabfällen gelagert werden darf. Der Benutzer ist verpflichtet, das Gerät an einem Sammelpunkt für verschlissene elektrische und elektronische Geräte abzugeben. Die die Sammlung durchführenden Einheiten, darunter lokale Sammelpunkte, Geschäfte und gemeindeeigene Einheiten, bilden ein entsprechendes System, welches die Abgabe dieses Gerätes ermöglicht. Die richtige Vorgehensweise mit Elektro- und Elektronikschrott trägt zur Verhinderung schädlicher Folgen für die menschliche Gesundheit und die natürliche Umwelt bei, die aus der Anwesenheit von Schadstoffen sowie einer falschen Lagerung und Weiterverarbeitung solcher Materialien folgen.

BEDIENUNG

Steuerung der Dunstabzugshaube

Das Bedienfeld der Dunstabzugshaube wurde auf der Abbildung Nr. 4 dargestellt und zur Erinnerung gibt es dieses auch nachstehend:



Das Bedienfeld ist mit Sensoren ausgestattet.

Um die Dunstabzugshaube auszuschalten, wählen Sie eine der nachfolgend geschilderten Stufen durch Berühren des entsprechenden Sensors aus:

- 1- Niedrigste Stufe. Wählen Sie diese Stufe, wenn nur wenig Dämpfe entstehen.
- 2- Mittlere Stufe. Wählen Sie diese Stufe bei mittlerer Dampfbildung, zum Beispiel, wenn Sie mehrere Gerichte gleichzeitig kochen.
- 3- Höchste Stufe. Wählen Sie diese Stufe bei starker Dampfbildung, zum Beispiel beim Braten oder Grillen.
- 4- Der Sensor dient zum Ein- und Ausschalten des StandBy-Modus der Dunstabzugshaube.
- 5- Der Sensor dient zum Ein- und Ausschalten der Beleuchtung.

Achtung:

- Um eine von drei Stufen zu verwenden, wählen Sie zuerst den StandBy-Modus mit dem Sensor (5) ein und anschließend wählen Sie die gewünschte Stufe. Um eine aktive Stufe auszuschalten, berühren Sie erneut den hinterleuchteten Sensor.
- Um die Beleuchtung zu verwenden, schalten Sie zuerst den StandBy-Modus ein.
- Durch Ausschalten des StandBy-Modus werden der Motor der Dunstabzugshaube und die Beleuchtung ausgeschaltet.
- Um die Dunstabzugshaube auszuschalten, berühren Sie zweimal den Sensor (4), wenn der Motor läuft.

Timer (Ausschaltverzögerung der Dunstabzugshaube)

Diese Funktion dient zur Ausschaltverzögerung des Motors der Dunstabzugshaube. Verwenden Sie diese Funktion nach dem Kochende, um die Luft im Raum von den Dämpfen zu reinigen. Die Ausschaltverzögerung dauert circa 15 Minuten. Um die Funktion der Ausschaltverzögerung einzuschalten, berühren Sie einmal den Sensor (4) während des Betriebs der Dunstabzugshaube auf einer beliebigen Leistungsstufe. Der Sensor beginnt zu blinken. Das Blinken deutet auf eine ordnungsgemäße Einstellung des Zeitpunktes für die Ausschaltverzögerung hin. Um die Funktion der Ausschaltverzögerung früher auszuschalten, berühren Sie den Sensor (4) erneut. Dies steht dem Ausschalten des Gerätes gleich. Wenn Sie den Betrieb fortführen wollen, stellen Sie erneut die entsprechende Stufe ein.

Andere wichtige Informationen zur Bedienung der Dunstabzugshaube

Umluftbetrieb: In dieser Betriebsoption kehrt die gefilterte Luft über die daran angepassten Sonderöffnungen in den Raum zurück. Bei dieser Einstellung ist ein Aktivkohlefilter zu installieren und es ist empfehlenswert, das Umlenklech für die Abluft zu montieren (verfügbar je nach dem Modell, vor allem in den Kamindunstabzugshauben vorhanden).

Abluftbetrieb: Bei Abluftbetrieb der Dunstabzugshaube wird die Luft über eine spezielle Leitung hinausgeleitet. Vor der Inbetriebnahme dieses Modus muss der eventuelle Aktivkohlefilter aus dem Gerät entfernt werden. Die Dunstabzugshaube ist an die Lüftungsöffnung mit Hilfe einer steifen oder elastischen Leitung mit einem Durchmesser von 150 mm oder 120 mm und mittels entsprechender Klemmen angeschlossen, die in den Fachgeschäften mit Installationszubehör erhältlich sind. Mit den Anschlussarbeiten ist ein qualifizierter Installateur zu beauftragen.

Geschwindigkeit der Lüfters: Unter normalen Bedingungen und bei geringer Konzentration der Dämpfe wird geringe und mittlere Geschwindigkeit empfohlen. Die höchste Geschwindigkeit sollte dagegen nur bei hoher Konzentration der Dämpfe, z.B. beim Braten oder Grillen, genutzt werden.

Hinweis (dies gilt nur für Universal-Dunstabzugshauben): die Konstruktion der Universal-Dunstabzugshauben erfordert einen manuellen Wechsel der Betriebsart der Dunstabzugshaube. Die Art, wie die Betriebsart gewechselt wird, ist der Abbildung Nr. 8 zu entnehmen.

Hinweis (dies gilt nur für Möbel- und Teleskopabzugshauben): Beim Umluftbetrieb muss im Falle der Möbel- und Teleskopabzugshauben ein Rohr zur Abführung der Abluft montiert werden. Das andere Rohrende ist in den Raum zu richten, dadurch erfolgt die Abführung der gefilterten Luft.

Hinweis: Die hängenden Dunstabzugshauben arbeiten nur im Umluftbetrieb.

REINIGUNG UND WARTUNG

Wartung

Durch eine regelmäßige Wartung und Reinigung wird ein guter und störungsfreier Betrieb sowie eine optimale Lebensdauer des Gerätes gewährleistet. Bei der Reinigung und beim Wechsel der Fett- und Kohleaktivfilter sind insbesondere die Hinweise der jeweiligen Hersteller zu beachten.

- Verwenden Sie weder nasse Reinigungstücher noch Schwämme noch Wasserstrahl.

- Verwenden Sie weder Lösemittel noch Alkohol, weil die lackierten Oberflächen dadurch matt werden können.
- Verwenden Sie keine ätzenden Stoffe, insbesondere bei der Reinigung von Oberflächen aus nichtrostendem Stahl.
- Verwenden Sie keine harten, rauen Reinigungstücher
- Zur Reinigung wird feuchtes Tuch sowie neutrale Reinigungsmittel empfohlen.

Hinweis: Nachdem der Aluminiumfilter mehrmals im Geschirrspüler gespült worden ist, kann sich der Farbton des Filters ändern. Die Änderung des Farbtons ist kein Hinweis darauf, dass es unrichtig ist und der Filter gewechselt werden muss.

Fettfilter

Der Aluminiumfettfilter sollte bei einem üblichen Betrieb der Dunstabzugshaube jeden Monat im Geschirrspüler oder per Hand mit einem feinen Reinigungsmittel oder flüssiger Seife gereinigt werden.

Die Demontage des Aluminiumfettfilters wurde in der Abbildung 5 gezeigt.

In manchen Modellen wurde ein Akrylfilter eingesetzt. Dieser ist mindestens alle zwei Monate oder häufiger bei einem durchaus intensiven Gebrauch zu wechseln.

Aktivkohlefilter

Der Kohlefilter wird nur dann eingesetzt, wenn die Dunstabzugshaube an die Lüftungsleitung nicht angeschlossen ist. Der Aktivkohlefilter kann die Gerüche bis zur vollen Sättigung des Filters aufnehmen. Der Aktivkohlefilter ist weder fürs Waschen noch für die Regeneration geeignet und sollte mindestens einmal pro 5 Monate oder im Falle einer intensiven Beanspruchung öfter gewechselt werden.

Die Demontage des Aktivkohlefilters wurde in der Abb. 6 gezeigt.

Beleuchtung

Setzen Sie Leuchten / Halogenleuchten / Diodenmodule mit denselben Parametern, wie sie im Gerät werkseitig montiert wurden, ein. Der Wechsel der Beleuchtung wurde in der Abbildung 7 gezeigt. Wenn die Abbildung in dieser Anleitung nicht vorhanden ist, darf das Beleuchtungsmodul nur durch eine autorisierte Servicestelle durchgeführt werden.

GARANTIE, NACHVERKAUF-SERVICE

Garantie

Garantieleistungen laut Garantieschein. Der Hersteller übernimmt keine Haftung für Schäden, die durch einen unsachgemäßen Betrieb des Produktes entstehen.




Der Hersteller empfiehlt, dass alle Reparaturen und alle Einstellmaßnahmen durch den Werkskundendienst oder durch Autorisierten Servicedienst des Herstellers. Die Reparaturen sollen ausschließlich durch Personen mit entsprechenden Qualifikationen durchgeführt werden.

CE-Konformitätserklärung

Der Hersteller dieses Produktes erklärt hiermit in alleiniger Verantwortung, dass dieses Produkt den einschlägigen, grundlegenden Anforderungen der nachfolgenden EU-Richtlinien entspricht:

- **Niederspannungsrichtlinie 2014/35/EG**
- **Elektromagnetische Verträglichkeit 2014/30/EG**
- **ErP – Richtlinie 2009/125/EG**
- **Richtlinie RoHS 2011/65/EG**

Das Gerät ist mit dem  Zeichen gekennzeichnet und verfügt über eine Konformitätserklärung zur Einsichtnahme durch die zuständigen Marktüberwachungsbehörden.

Szanowny Kliencie

Od dziś codzienne obowiązki staną się prostsze niż kiedykolwiek. Urządzenie **Amica** to połączenie wyjątkowej łatwości obsługi i doskonałej efektywności. Po przeczytaniu instrukcji, obsługa nie będzie problemem.

Sprzęt, który opuścił fabrykę był dokładnie sprawdzony przed zapakowaniem pod względem bezpieczeństwa i funkcjonalności na stanowiskach kontrolnych.

Prosimy Państwa o uważną lekturę instrukcji obsługi przed uruchomieniem urządzenia. Przestrzeganie zawartych w niej wskazówek uchroni Państwa przed niewłaściwym użytkowaniem. Instrukcję należy zachować i przechowywać tak, aby mieć ją zawsze pod ręką.

Należy dokładnie przestrzegać instrukcji obsługi w celu uniknięcia nieszczęśliwych wypadków.

Z poważaniem

Amica

WSKAZÓWKI DOTYCZĄCE BEZPIECZEŃSTWA

- Okap należy używać dopiero po przeczytaniu tej instrukcji
- Urządzenie przeznaczone jest wyłącznie do użytku domowego.
- Producent zastrzega sobie możliwość dokonywania zmian niewpływających na działanie urządzenia.
- Producent nie ponosi żadnej odpowiedzialności za ewentualne szkody lub pożary spowodowane przez urządzenie wynikające z nieprzestrzegania zaleceń podanych w niniejszej instrukcji.
- Okap nadkuchenny służy do usuwania oparów kuchennych. Nie należy go używać do innych celów.
- Okap pracujący w trybie wyciągu należy podłączyć do odpowiedniego kanału wentylacyjnego (nie podłączać do kanałów kominowych, dymowych lub spalinowych, będących w eksploatacji). Okap wymaga zainstalowania przewodu odprowadzającego powietrze na zewnątrz. Długość przewodu (najczęściej rura \varnothing 120 mm lub 150 mm) nie powinna być dłuższa niż 4-5 m. Przewód odprowadzający powietrze jest również wymagany przy okapach teleskopowych i meblowych w trybie pochłaniacza.
- Okap pracujący w trybie pochłaniacza wymaga zainstalowania filtra z węglem aktywnym. W tym przypadku nie wymaga się instalowania przewodu odprowadzającego powietrze na zewnątrz, zaleca się natomiast montaż kierownicy wydmuchu powietrza (występuje głównie w okapach kominowych).
- Okap posiada niezależne oświetlenie oraz wenty-

lator wyciągowy z możliwością ustawienia jednej z kilku prędkości obrotowych.

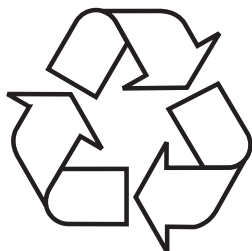
- W zależności od wersji urządzenia, okap jest przeznaczony do trwałego zamocowania na pionowej ścianie ponad kuchenką gazową lub elektryczną (okapy kominowe i uniwersalne); na suficie ponad kuchenką gazową lub elektryczną (okapy wyspowe); na pionowej ścianie w zabudowie meblowej ponad kuchenką gazową lub elektryczną (okapy teleskopowe i do zabudowy). Przed montażem należy się upewnić czy konstrukcja ściany / sufitu jest odpowiednia do utrzymania okapu. Niektóre modele okapów są bardzo ciężkie.
- Wysokość montażu urządzenia nad płytą elektryczną podana jest w karcie produktu (specyfikacji technicznej urządzenia). Jeżeli w instrukcjach instalowania urządzeń gazowych podano większą odległość, należy to uwzględnić (Rys. 1).
- Pod okapem kuchennym nie wolno pozostawiać odkrytego płomienia, podczas zdejmowania naczyń znad palnika, należy ustawić minimalny płomień. Zawsze należy sprawdzać czy płomień nie wykracza poza naczynie, gdyż powoduje to niepożądane straty energii i niebezpieczną koncentrację ciepła.
- Potrawy przygotowywane na tłuszczach powinny być stale nadzorowane, gdyż przegrzany tłuszcz może się łatwo zapalić.
- Przed każdą operacją czyszczenia, wymianą filtra lub przed podjęciem prac naprawczych, należy wyjąć wtyczkę urządzenia z gniazdka.
- Filtr przeciw tłuszczowy do okapu kuchennego należy czyścić, co najmniej, raz na 1 miesiąc, gdyż nasycony tłuszczem jest łatwopalny.
- Jeżeli w pomieszczeniu, oprócz okapu, eksploatuje się inne urządzenia o zasilaniu nieelektrycznym (np. piece na paliwa ciekłe, grzejniki przepływowe, termy), należy zadbać o wystarczającą

wentylację (dopływ powietrza). Bezpieczna eksploatacja jest możliwa, gdy przy jednoczesnej pracy okapu i urządzeń spalających, zależnych od powietrza w pomieszczeniu, w miejscu ustawienia tych urządzeń panuje podciśnienie najwyżej 0,004 milibara (ten punkt nie obowiązuje, gdy okap nadkuchenny jest użytkowany jako pochłaniacz zapachów).

- Okap nie powinien służyć jako płaszczyzna podparcia dla osób znajdujących się w kuchni.
- Okap powinien być często czyszczony zarówno na zewnątrz jak i od wewnątrz (PRZYNAJMNIEJ RAZ W MIESIĄCU, z zachowaniem wskazówek dotyczących konserwacji podanych w niniejszej instrukcji). Nieprzestrzeganie zasad dotyczących czyszczenia okapu oraz wymiany filtrów powoduje powstanie zagrożenia pożarem.
- Jeżeli przewód zasilający ulegnie uszkodzeniu, to powinien być wymieniony w specjalistycznym zakładzie naprawczym.
- Należy zapewnić możliwość odłączenia urządzenia od sieci elektrycznej, poprzez wyjęcie wtyczki lub wyłączenie wyłącznika dwubiegunowego.
- Niniejszy sprzęt nie jest przeznaczony do użytkowania przez osoby (w tym dzieci) o ograniczonej zdolności fizycznej, czuciowej lub psychicznej, lub osoby o braku doświadczenia lub znajomości sprzętu, chyba że odbywa się to pod nadzorem lub zgodnie z instrukcją użytkowania sprzętu, przekazaną przez osoby odpowiadające za ich bezpieczeństwo.
- Należy zwrócić szczególną uwagę, aby z urządzenia nie korzystały pozostawione bez opieki dzieci.
- Sprawdzić, czy napięcie podane na tabliczce znamionowej odpowiada miejscowym parametrom zasilania.
- Przed montażem rozwinąć i wyprostować przewód sieciowy.

- Materiały opakowaniowe (woreczki polietylenowe, kawałki styropianu itp.) należy w trakcie rozpakowywania trzymać z dala od dzieci.
- Przed podłączeniem okapu do zasilania sieciowego należy zawsze skontrolować czy kabel zasilania został prawidłowo zainstalowany i NIE został przygnieciony przez okap w trakcie czynności montażowych. Nie podłączać urządzenia do sieci elektrycznej przed ukończeniem montażu.
- Zabrania się użytkować okap bez zamontowanych aluminiowych filtrów przeciwtłuszczowych.
- Surowo zabrania się przygotowywania pod okapem potraw z użyciem otwartego ognia (flambrowanie).
- W zakresie koniecznych do zastosowania środków technicznych i bezpieczeństwa dotyczących odprowadzania spalin należy ściśle przestrzegać przepisów wydanych przez kompetentne władze lokalne.
- Niedokręcenie śrub oraz elementów mocujących zgodnie z niniejszymi instrukcjami może spowodować zagrożenia zdrowia i życia.
- Okapy wiszące działają tylko w trybie pochłaniania zapachów
- UWAGA! Instalacja śrub i elementów mocujących niezgodnie z instrukcją może spowodować zagrożenia elektryczne.

ROZPAKOWANIE



Urządzenie na czas transportu zostało zabezpieczone przed uszkodzeniem. Po rozpakowaniu urządzenia prosimy Państwa o usunięcie elementów opakowania w sposób niezagrażający środowisku.

Wszystkie materiały zastosowane do opakowania są nieszkodliwe dla środowiska naturalnego, w 100% nadają się do odzysku i oznakowano je odpowiednim symbolem.

Uwaga! Materiały opakowaniowe (woreczki polietylenowe, kawałki styropianu itp.) należy w trakcie rozpakowywania trzymać z dala od dzieci.

USUWANIE ZUŻYTYCH URZĄDZEŃ



To urządzenie jest oznaczone zgodnie z Dyrektywą Europejską 2012/19/UE oraz polską Ustawą o zużyтым sprzęcie elektrycznym i elektronicznym symbolem przekreślonego kontenera na odpady. Takie oznakowanie informuje, że sprzęt ten, po okresie jego użytkowania, nie może być umieszczany łącznie z innymi odpadami pochodzącymi z gospodarstwa domowego.

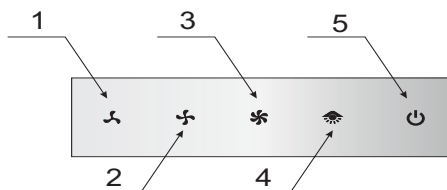
Użytkownik jest zobowiązany do oddania go prowadzącym zbieranie zużytego sprzętu elektrycznego i elektronicznego. Prowadzący zbieranie, w tym lokalne punkty zbiórki, sklepy oraz gminne jednostki, tworzą odpowiedni system umożliwiający oddanie tego sprzętu.

Właściwe postępowanie ze zużyтым sprzętem elektrycznym i elektronicznym przyczynia się do uniknięcia szkodliwych dla zdrowia ludzi i środowiska naturalnego konsekwencji, wynikających z obecności składników niebezpiecznych oraz niewłaściwego składowania i przetwarzania takiego sprzętu.

OBSŁUGA

Sterowanie okapem

Panel sterowania okapu jest przedstawiony na rysunku 4, dla przypomnienia znajduje się on również poniżej:



Panel sterowania wyposażony jest w sensory.

Aby włączyć okap wybierz jeden z poniżej opisanych biegów poprzez dotknięcie odpowiedniego sensora:

- 1- Bieg najniższy. Stosuj ten bieg przy niezbyt dużej ilości oparów.
- 2- Bieg średni. Stosuj ten bieg przy średniej ilości oparów, przykładowo podczas gotowania wielu potraw jednocześnie.
- 3- Bieg najwyższy. Stosuj ten bieg przy największej ilości oparów, przykładowo podczas smażenia czy grillowania.
- 4- Sensor służy do włączenia lub wyłączenia trybu StandBy w okapie
- 5- Sensor służy do włączenia lub wyłączenia oświetlenia.

Uwaga:

- Aby użyć jednego z trzech biegów, w pierwszej kolejności włącz tryb StandBy sensorem 5, następnie wybierz odpowiedni bieg. Aby wyłączyć aktywny bieg, dotknij powtórnie podświetlonego sensora.
- Aby użyć oświetlenia, w pierwszej kolejności włącz tryb StandBy.
- Wyłączenie trybu StandBy powoduje wyłączenie się silnika okapu oraz oświetlenia.
- Aby wyłączyć okap, przy aktywnym biegu silnika dotknij sensor 5 dwukrotnie.

Timer (opóźnione wyłączenie okapu)

Funkcja ta służy do opóźnionego wyłączenia silnika okapu. Użyj tej funkcji po zakończonym gotowaniu, by oczyścić powietrze z oparów w pomieszczeniu. Czas opóźnienia to około 15 minut. Aby włączyć funkcję opóźnienia, podczas pracy okapu na dowolnym biegu dotknij sensora 5 jednokrotnie. Sensor zacznie migać. Miganie sygnalizuje poprawne ustawienie czasu opóźnienia wyłączenia. Aby wyłączyć funkcję opóźnienia wcześniej, dotknij sensor 5 kolejny raz. Jest to równoznaczne z wyłączeniem urządzenia. Jeżeli chcesz kontynuować jego pracę, ustaw ponownie odpowiedni bieg.

Inne ważne informacje dotyczące obsługi okapu

Praca jako pochłaniacz: W tej opcji pracy przefiltrowane powietrze wraca z powrotem do pomieszczenia poprzez otwory do tego przystosowane. Przy tym ustawieniu należy zamontować filtr węglowy oraz zaleca się zamontować kierownicę wydmuchu powietrza (dostępność w zależności od modelu, występuje głównie w okapach kominowych).

Praca jako wyciąg: W trakcie wyciągowego trybu pracy okapu powietrze odprowadzane jest na zewnątrz specjalnym przewodem. Przy tym ustawieniu należy usunąć ewentualny filtr węglowy. Okap jest podłączony do otworu odprowadzającego powietrze na zewnątrz za pomocą sztywnego lub elastycznego przewodu o średnicy 150 mm lub 120 mm i odpowiednich zacisków do przewodów, które należy nabyć w placówkach z materiałami instalacyjnymi. Podłączenie należy zlecić wykwalifikowanemu instalatorowi.

Prędkość wentylatora: Prędkości najniższą i średnią stosuje się przy normalnych warunkach oraz małym natężeniu oparów, natomiast prędkość najwyższą stosować tylko przy dużym stężeniu oparów kuchennych, np. podczas smażenia, czy grillowania.

Uwaga (dotyczy tylko okapów uniwersalnych): Konstrukcja okapów uniwersalnych wymaga ręcznej zmiany trybu pracy okapu. Sposób zmiany tego trybu zobrazowany jest na rysunku 8.

Uwaga (dotyczy tylko okapów meblowych i teleskopowych): Okapy meblowe i teleskopowe pracujące w trybie pochłaniacza wymagają montażu rury odprowadzającej powietrze. Drugi koniec rury należy skierować na pomieszczenie, przez nią będzie odprowadzane przefiltrowane powietrze.

Uwaga: Okapy wiszące pracują tylko w trybie pochłaniacza.

CZYSZCZENIE I KONSERWACJA

Konserwacja

Regularna konserwacja i czyszczenie urządzenia zapewni dobrą i bezawaryjną pracę okapu oraz przedłuży jego żywotność. Należy zwracać szczególną uwagę, aby filtr przeciwłuszczowy i filtr z węglem aktywnym były czyszczone i wymieniane zgodnie z zaleceniami producenta.

- Nie używać namoczonych szmatek lub gąbek ani strumienia wody.
- Nie stosować rozpuszczalników ani alkoholu, ponieważ mogą one zmatowić lakierowane powierzchnie.
- Nie stosować substancji żrących, zwłaszcza do czyszczenia powierzchni wykonanych ze stali nierdzewnej.
- Nie używać twardej, szorstkiej szmatki
- Zaleca się stosowanie wilgotnej szmatki oraz obojętnych środków myjących.

Uwaga: Po kilku myciach w zmywarce, kolor filtra aluminiowego może ulec zmianie. Zmiana koloru nie oznacza nieprawidłowości oraz konieczności jego wymiany.

Filtr przeciwłuszczowy

Aluminiowy filtr przeciwłuszczowy powinien być czyszczony co jeden miesiąc podczas normalnej pracy okapu, w zmywarce lub ręcznie przy użyciu delikatnego detergentu lub mydła w płynie.

Demontaż aluminiowego filtra przeciwłuszczowego pokazany jest na rysunku 5.

W niektórych modelach zastosowany jest filtr akrylowy. Należy go wymieniać co najmniej raz na 2 miesiące lub częściej w wypadku wyjątkowo intensywnego użycia.

Filtr węglowy

Filtr węglowy stosuje się wyłącznie wtedy, kiedy okap nie jest podłączony do przewodu wentylacyjnego. Filtr z węglem aktywnym posiada zdolność pochłaniania zapachów aż do swego nasycenia. Nie nadaje się także do mycia ani do regeneracji i powinien być wymieniany, co najmniej raz na 2 miesiące lub częściej w wypadku wyjątkowo intensywnego użycia.

Demontaż filtra węglowego pokazany jest na rysunku 6.

Oświetlenie

Należy stosować żarówki / halogeny / moduły diodowe o takich samych parametrach jak fabrycznie zamontowane w urządzeniu. Wymiana oświetlenia jest pokazana na rysunku 7. Jeżeli rysunek nie występuje w niniejszej instrukcji, wymiany modułu oświetlenia może dokonać jedynie autoryzowany serwis.

GWARANCJA, OBSŁUGA POSPRZEDAŻOWA

Gwarancja

Świadczenia gwarancyjne wg karty gwarancyjnej. Producent nie odpowiada za jakiegokolwiek szkody spowodowane nieprawidłowym postępowaniem z wyrobem.



Producent sprzętu sugeruje, by wszelkie naprawy i czynności regulacyjne były wykonywane przez Serwis Fabryczny lub Serwis Autoryzowany producenta. Napraw powinna dokonywać jedynie osoba posiadająca stosowne kwalifikacje.

Oświadczenie producenta

Producent deklaruje niniejszym, że wyrób ten spełnia zasadnicze wymagania wymienionych poniżej dyrektyw europejskich:

- **dyrektywy niskonapięciowej 2014/35/UE**
- **dyrektywy kompatybilności elektromagnetycznej 2014/30/UE**
- **dyrektywy ekoprojektowania 2009/125/UE**
- **dyrektywy RoHS 2011/65/UE**

i dlatego wyrób został oznakowany  oraz została wystawiona dla niego deklaracja zgodności udostępniana organom nadzorującym rynek.

Vážený kliente,

počínaje dnešním dnem jsou každodenní povinnosti jednodušší než kdykoli jindy. Zařízení **Amica** je spojením výjimečně snadné obsluhy a vynikající efektivity. Po přečtení návodu nebudete mít problém s obsluhou.

Zařízení, které opustilo továrnu, bylo důkladně zkontrolováno před zabalením z hlediska bezpečnosti a funkčnosti na kontrolních stanovištích.

Před uvedením zařízení do provozu si pozorně přečtěte návod k obsluze. Dodržováním pokynů uvedených v návodu předejdete nesprávnému používání. Návod si ponechte a uschovejte tak, abyste jej měli vždy při ruce.

Dodržujte přesně návod k obsluze, abyste zabránili nešťastným událostem.

S úctou

Amica

BEZPEČNOSTNÍ POKYNY

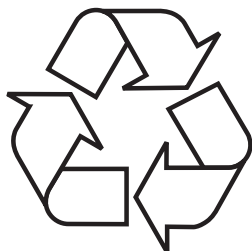
- Odsavač používejte teprve po přečtení tohoto návodu!
- Zařízení je určeno výlučně pro domácí použití.
- Výrobce si vyhrazuje možnost provádění změn, které nemají vliv na funkčnost zařízení.
- Výrobce nenesе žádnou odpovědnost za eventuální škody nebo požár způsobené zařízením, vyplývající z nedodržování pokynů uvedených v tomto návodu.
- Kuchyňský odsavač slouží k odstraňování kuchyňských výparů. Nepoužívejte jej pro jiné účely.
- Odsavač pracující v odtahovém režimu napojte na příslušný ventilační kanál (nenapojujte na komínové, kouřové nebo spalinové kanály, které jsou v provozu). Odsavač musí mít namontované potrubí odvádějící vzduch ven. Délka potrubí (nejčastěji roura \varnothing 120 nebo 150 mm) nesmí být delší než 4–5 m. Potrubí odvádějící vzduch se rovněž vyžaduje u teleskopických a nábytkových odsavačů v režimu pohlčovače.
- Odsavač pracující jako pohlčovač vyžaduje filtr s aktivním uhlím. V tomto případě není nutná montáž potrubí odvádějícího vzduch ven, zato se doporučuje namontovat zpětnou klapku vzduchu (pouze komínové odsavače).
- Odsavač má nezávislé osvětlení a odtahový ventilátor s možností nastavení jedné z několika rychlostí otáček.
- V závislosti na verzi zařízení je odsavač určen pro trvalé připevnění na svislou stěnu nad plynový nebo elektrický sporák (komínové a univerzální odsavače); na strop nad plynový nebo elektrický sporák (ostrůvkové odsavače); na svislou stěnu v kuchyňské lince nad plynový nebo elektrický sporák (teleskopické a vestavné odsavače). Před montáží se ujistěte, že konstrukce stěny/stropu

udrží hmotnost odsavače. Některé modely odsavačů jsou velmi těžké.

- Montážní výška zařízení nad elektrickou deskou je uvedena v technickém listu (technické specifikaci zařízení). Pokud v montážních návodech plynových zařízení je uvedena větší vzdálenost, zohledněte to (Obr. 1).
- Pod kuchyňským odsavačem nenechávejte otevřený plamen při sundávání nádobí z hořáku, nastavte minimální plamen. Vždy zkontrolujte, zda plamen nepřesahuje přes okraj nádoby, protože to způsobuje nežádoucí ztráty energie a nebezpečnou koncentraci tepla.
- Na pokrmy připravované na tuku neustále dohlížejte, protože rozehřátý tuk se může snadno vznítit.
- Před každým čištěním, výměnou filtru nebo před zahájením opravy vyjměte zástrčku zařízení ze zásuvky.
- Protitukový filtr do kuchyňského odsavače čistěte alespoň jednou za měsíc, protože nasáknutý tukem je lehce hořlavý.
- Pokud jsou v místnosti v provozu kromě odsavače jiná zařízení s neelektrickým napájením (např. kamna na kapalné palivo, průtokové ohřivače, termy), zajistěte dostatečné větrání (přívod vzduchu). Bezpečné používání je možné, když při současném provozu odsavače a spalovacích zařízení, závislých na vzduchu v místnosti, je v místě postavení těchto zařízení podtlak nanejvýš 0,004 milibarů (tento bod neplatí, pokud kuchyňský odsavač používáte jako pohlcovač pachů).
- Odsavač nemá sloužit jako plocha pro opření se osob nacházejících se v kuchyni.
- Okap často čistěte jak z vnějšku, tak i uvnitř (ALESPON JEDNOU ZA MĚSÍC, s dodržением pokynů ohledně údržby uvedených v tomto návodu). Nedodržování zásad týkajících se čištění odsavače a výměny filtrů způsobuje nebezpečí požáru.
- Pokud se napájecí kabel poškodí, musí být vyměněn ve specializovaném servisu.

- Zajistěte možnost odpojení zařízení od elektrického napájení vytažením zástrčky nebo vypnutím dvoupólového vypínače.
- Toto zařízení není přizpůsobeno používání osobami (včetně dětí) s omezenou fyzickou, smyslovou nebo psychickou schopností nebo osobami s nedostatečnými zkušenostmi a znalostí zařízení, ledaže jej používají pod dohledem nebo v souladu s návodem k používání zařízení, předaným osobami zodpovídajícími za jejich bezpečnost.
- Všimněte si pozorně, aby zařízení nepoužívaly děti ponechané bez dozoru.
- Zkontrolujte, zda napětí uvedené na výrobním štítku odpovídá místním parametrům napájení.
- Před montáží roztáhněte a vyrovnejte síťový kabel.
- Obalové materiály (polyetylenové sáčky, pěnový polystyren apod.) nenechávejte při vybalování v dosahu dětí.
- Před připojením odsavače k elektrickému napájení vždy zkontrolujte, zda je síťový kabel správně nainstalován a zda NEBYL přimáčknutý odsavačem při montáži. NEPRIPOJUJTE zařízení k elektrické síti před ukončením montáže.
- Je zakázáno používat odsavač bez namontovaných hliníkových protitukových filtrů.
- Přísně je zakázáno připravovat pod odsavačem pokrmy na otevřeném ohni (flambování).
- V rámci nutnosti použití technických a bezpečnostních opatření týkajících se odvádění spalin dodržujte přesně předpisy vydané kompetentními místními orgány.
- Neutažení šroubů a upevňovacích prvků podle těchto pokynů může vést k ohrožení zdraví a života.
- Závěsné odsavače fungují pouze v režimu pohlcovače pachů.
- **POZOR!** V případě chybějící instalace šroubů a úchytných prvků dle pokynů uvedených v tomto návodu může dojít k vzniku nebezpečí elektrické povahy.

VYBALENÍ



Zařízení bylo po dobu přepravy zabezpečeno proti poškození. Po vybalení zařízení odstraňte části obalu způsobem, který neohrožuje životní prostředí.

Všechny materiály použité na obal jsou stoprocentně neškodné pro životní prostředí a jsou vhodné pro zpětné získání a byly označeny příslušným symbolem. Upozornění! Obalové materiály (polyetylenové sáčky, pěnový polystyren apod.) nenechávejte při vybalování v dosahu dětí.

LIKVIDACE OPOTŘEBOVANÝCH ZAŘÍZENÍ



Toto zařízení je označeno v souladu s evropskou směrnicí 2012/19/ES a také s polským zákonem o použitých elektrických a elektronických zařízeních symbolem přeškrtnutého kontejneru na odpad. Takové označení znamená, že toto zařízení se po ukončení životnosti nesmí vyhazovat společně

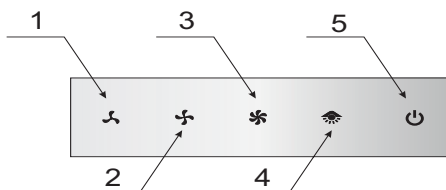
s jiným domácím odpadem. Uživatel je povinen odevzdat jej do sběrný použitých elektrických a elektronických zařízení. Provádějící sběr, včetně místních sběrů, obchodů a obecních úřadů, tvoří systém umožňující odevzdávání těchto zařízení.

Příslušné nakládání s použitými elektrickými a elektronickými zařízeními zabranuje negativním následkům pro lidské zdraví a životní prostředí, vznikajícím z přítomnosti nebezpečných složek a nesprávného skladování a zužitkování takových zařízení.

OBSLUHA

Ovládání odsavače

Ovládací panel odsavače je znázorněn na obrázku 4, pro připomenutí je umístěn také níže:



Ovládací panel je vybaven senzory.

Chcete-li odsavač zapnout, vyberte jednu z níže popsaných rychlostí klepnutím na příslušný senzor:

- 1- Nejnižší rychlost. Tuto rychlost používejte při malém množství páry.
- 2- Střední rychlost. Tuto rychlost používejte při středním množství páry, například při vaření více pokrmů najednou.
- 3- Nejvyšší rychlost. Tuto rychlost používejte při největším množství páry, například při smažení nebo grilování.
- 4- Senzor slouží pro zapnutí nebo vypnutí režimu StandBy v odsavači
- 5- Senzor slouží pro zapnutí nebo vypnutí osvětlení.

Upozornění:

- Chcete-li použít jednu ze tří rychlostí, jako první zapněte režim StandBy senzorem 4, pak vyberte vhodnou rychlost. Chcete-li vypnout aktivní rychlost, klepněte opět na podsvícený senzor.
- Chcete-li použít osvětlení, jako první zapněte režim StandBy.
- Vypnutí režimu StandBy vypne motor a osvětlení odsavače.
- Chcete-li vypnout odsavač, při aktivní rychlosti motoru klepněte na senzor 5 dvakrát.

Časovač (opožděné vypnutí odsavače)

Tato funkce slouží k opožděnému vypnutí motoru odsavače. Tuto funkci použijte po ukončení vaření, abyste očistili vzduch v místnosti od páry. Čas opoždění činí asi 15 minut. Chcete-li vypnout funkci opoždění, během provozu odsavače při libovolné rychlosti klepněte jednou na senzor 4. Senzor začne blikat. Blikání indikuje správné nastavení času opožděného vypnutí. Chcete-li vypnout funkci opoždění dříve, opět klepněte na senzor 4. Je to stejné jako vypnutí zařízení. Chcete-li zachovat jeho provoz, opět nastavte příslušnou rychlost.

Jiné důležité informace o obsluze odsavače

Provoz jako pohlčovač: V tomto provozním režimu se přefiltrovaný vzduch vrací zpět do místnosti k tomu přizpůsobenými otvory. Při tomto nastavení nainstalujte uhlíkový filtr a doporučuje se montáž zpětné vzduchové klapky (dostupnost v závislosti na modelu, vyskytuje se hlavně v komínových odsavačích).

Provoz jako odtah: Během odtahového provozního režimu odsavače je vzduch odváděn vně speciálním potrubím. Při tomto nastavení odstraňte eventuální uhlíkový filtr. Odsavač je připojen k otvoru odvádějícímu vzduch ven pomocí tuhého nebo pružného potrubí o průměru 150 mm nebo 120 mm a vhodných svorek k potrubím, které je třeba zakoupit v prodejnách s instalačním materiálem. Připojení svěřte kvalifikovanému pracovníkovi.

Rychlost ventilátoru: Nejnižší a střední rychlost používejte za normálních podmínek a při nízké koncentraci výparů, zatímco nejvyšší rychlost používejte pouze při vysoké koncentraci kuchyňských výparů, např. při smažení nebo grilování.

Poznámka (týká se pouze univerzálních odsavačů): Konstrukce univerzálních odsavačů vyžaduje manuální změnu provozního režimu odsavače. Způsob změny tohoto režimu je znázorněn na obrázku 8.

Poznámka (týká se pouze nábytkových a teleskopických odsavačů): Nábytkové a teleskopické odsavače pracující jako pohlčovač vyžadují montáž roury odvádějící vzduch. Druhý konec roury nasměrujte do místnosti, rourou bude odváděn filtrovaný vzduch.

Upozornění: Závěsné odsavače pracují pouze jako pohlčovač.

ČIŠTĚNÍ A ÚDRŽBA

Údržba

Pravidelná údržba a pravidelné čištění zařízení zajistí správný a bezporuchový provoz odsavače a prodlouží jeho životnost. Věnujte zvláštní pozornost tomu, aby se protitukový filtr a filtr s aktivním uhlím čistily a měnily podle pokynů výrobce.

- Nepoužívejte navlhčené hadříky nebo houby a také proud vody.
- Nepoužívejte rozpouštědla a alkohol, protože by mohly zmatnit lakované povrchy.
- Nepoužívejte leptavé látky, zejména na čištění povrchů z nerezové oceli.
- Nepoužívejte tvrdý, drsný hadřík.
- Doporučuje se používat vlhký hadřík a neutrální čisticí přípravky.

Upozornění: Po několika mytích v myčce se může změnit barva hliníkového filtru. Změna barvy neznamená odchylku a nutnost jeho výměny.

Protitukový filtr

Hliníkový protitukový filtr čistěte jednou za měsíc během normálního provozu odsavače, v myčce nebo ručně jemným čisticím přípravkem nebo tekutým mýdlem.

Demontáž hliníkového protitukového filtru je znázorněna na obrázku 5.

U některých modelů se používá akrylový filtr. Měňte jej alespoň jednou za dva měsíce nebo častěji v případě výjimečně intenzivního používání.

Uhlíkový filtr

Uhlíkový filtr používejte pouze v případě, když odsavač není připojen k ventilačnímu kanálu. Filtr s aktivním uhlím má schopnost pohlcovat pachy až do svého nasycení. Není vhodný také k mytí a regeneraci a musí se měnit alespoň jednou za dva měsíce nebo častěji v případě výjimečně intenzivního používání.

Demontáž uhlíkového filtru je znázorněna na obrázku 6.

Osvětlení

Používejte žárovky / halogeny / diodové moduly se stejnými parametry jako u původních namontovaných v zařízení. Výměna žárovek je znázorněna na obrázku 7. Pokud obrázek není v tomto návodu, výměnu osvětlovacího modulu může provést pouze autorizovaný servis.

ZÁRUKA, POPRODEJNÍ SERVIS

Záruka

Záruční plnění podle záručního listu. Výrobce neodpovídá za žádné škody způsobené nesprávným zacházením s výrobkem.



Výrobce zařízení doporučuje, aby všechny opravy a seřizovací činnosti prováděl tovární servis nebo autorizovaný servis výrobce. Opravy musí provádět pouze osoba s příslušnou kvalifikací.

Prohlášení výrobce

Producent tímto prohlašuje, že tento výrobek splňuje základní požadavky níže uvedených evropských směrnic:

- směrnice pro nízkonapěťová zařízení 2014/35/EC
- směrnice o elektromagnetické kompatibilitě 2014/30/EC
- směrnice ErP - 2009/125/EC
- směrnice RoHS 2011/65/EC

a proto byl spotřebič označen **CE** a také bylo pro něho vystaveno prohlášení o shodě poskytované orgánům pro dohled nad trhem.

Vážený zákazník

Od dnešného dňa každodenné povinnosti budú jednoduchšie ako kedykoľvek predtým. Zariadenie značky **Amica** spája výnimočne jednoduché používanie a dokonalú efektívnosť. Keď sa oboznámite s užívateľskou príručkou, s používaním zariadenia nebudete mať žiadne problémy.

Zariadenie, ktoré opúšťa továreň, bolo pred konečným zabalením na kontrolných staniciach dôkladne skontrolované, čo sa týka bezpečnosti a funkčnosti zariadenia.

Pred spustením zariadenia sa podrobne a dôkladne oboznámte s užívateľskou príručkou. Dodržiavaním pokynov a odporúčaní, ktoré sú v príručke uvedené, predídete nesprávnemu používaniu zariadenia. Príručku uchovajte a uložte ju na takom mieste, aby bola v prípade potreby ľahko dostupná.

Dôkladne dodržiavajte pokyny a odporúčania uvedené v príručke, vyhnete sa tak nešťastným nehodám či úrazom.

S úctou

Amica

BEZPEČNOSTNÉ POKYNY POUŽÍVANIA

- Odsávač používajte iba po prečítaní tohto návodu!
- Zariadenie je určené iba na domáce, neprofesionálne použitie.
- Výrobca si vyhradzuje právo na vykonávanie zmien, ktoré neovplyvňujú fungovanie zariadenia.
- Výrobca nezodpovedá za prípadné škody alebo požiare spôsobené zariadením následkom nedodržiavania pokynov a odporúčaní, ktoré sú uvedené v tejto príručke.
- Kuchynský odsávač sa používa na odstraňovanie (odsávanie) kuchynských pár. Nepoužívajte ho na iné účely.
- Odsávač, ktorý funguje v režime odsávania, pripojte k príslušnému ventilačnému potrubiu (nepripájajte ku komínovým, dymovým alebo spalinovým potrubiam, ktoré sú v prevádzke). Odsávač vyžaduje inštaláciu potrubia, ktoré odvádza vzduch smerom von z miestnosti. Dĺžka potrubia (najčastejšie rúra Ø 120 alebo 150 mm) nesmie byť dlhšia ako 4-5 m. Potrubie odvádzajúce vzduch sa musí používať aj v prípade teleskopických a vstavaných odsávačov používaných v režime pohlčovania
- Odsávač, ktorý je nastavený režime pohlčovania, vyžaduje inštaláciu filtra s aktívnym uhlím. V tomto prípade sa nevyžaduje inštalácia potrubia odvádzajúceho vzduch von, odporúča sa však montáž usmerňovača prúdu vzduchu (iba komínové odsávače).
- Odsávač má nezávislé osvetlenie a tiež odťahový ventilátor s možnosťou nastaviť jednu z niekoľkých rýchlostí otáčania.

- V závislosti na verzii zariadenia je odsávač určený na trvale pripevnenie na zvislú stenu nad plynovým alebo elektrickým sporákom (komínové a univerzálne odsávače); na strop nad plynovým alebo elektrickým sporákom (ostrovne odsávače); na zvislú stenu v zabudovanom nábytku nad plynovým alebo elektrickým sporákom (teleskopické a vstavané odsávače). Pred inštaláciou sa uistite, či konštrukcia steny / stropu je dostatočná na udržanie odsávača. Niektoré modely odsávačov sú veľmi ťažké.
- Výška inštalácie zariadenia nad elektrickou varnou doskou je uvedená v liste výrobku (technickej špecifikácii zariadenia). Ak je v montážnej príručke plynových zariadení uvedená väčšia vzdialenosť, musí to byť pri montáži zohľadnené (obr. 1).
- Pod kuchynským odsávačom nenechávajte otvorený oheň, pri vyberaní riadu z horáku nastavte minimálny plameň. Vždy skontrolujte, či plameň nepresahuje poza riad, pretože to spôsobuje nežiaduce straty energie a nebezpečnú koncentráciu tepla.
- Jedlá pripravované na tuku/oleji musia byť pod stálym dohľadom, pretože nahriaty olej/tuk sa môže ľahko zapáliť.
- Pred každou manipuláciou, napr. čistenie, výmena filtra alebo pred začatím servisných prác, odsávač pár sa musí odpojiť od elektrického napätia.
- Protitukový filter do kuchynského odsávača sa musí čistiť minimálne raz mesačne, keďže zachytený tuk je ľahko horľavý.
- Ak sa v miestnosti, okrem odsávača, využívajú iné zariadenia s neelektickým spaľovaním (napr. pece na tekuté palivo, prietokové ohrievače), musí sa zabezpečiť dostatočné vetranie (prísun vzduchu). Bezpečné používanie je možné vtedy, ak pri súčasnom používaní odsávača a iných zariadení,

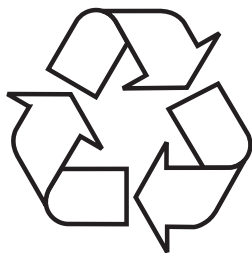
ktoré spotrebúvajú vzduch v danej miestnosti, na mieste používania týchto zariadení je podtlak maximálne 0,004 milibaru (tieto požiadavky sa nemusia splniť v prípade, ak sa odsávač používa v režime pohlcovača pár).

- Odsávač sa nesmie používať ako plocha na opieranie osôb, ktoré sú v kuchyni.
- Odsávač často čistite, tak z vonku ako aj z vnútra (MINIMALNE RAZ MESACNE), pričom dodržiavajte pokyny uvedené v tejto príručke. V prípade nedodržiavania zásad týkajúcich sa čistenia odsávača, ako aj výmeny filtrov, hrozí riziko vzniku požiaru.
- Ak bude napájací kábel bude poškodený, musí byť vymenený v špecializovanom servise.
- Zabezpečte možnosť odpojenia zariadenia od el. napätia vytiahnutím zástrčky z el. zásuvky, alebo vypnutím dvojpólového vypínača.
- Toto zariadenie nie je prispôbené k používaniu osobami (v tom deťmi) s obmedzenou fyzickou, zmyslovou alebo psychickou schopnosťou alebo osobami s nedostatočnými skúsenosťami a znalosťami zariadenia, iba ak je uskutočňované pod dohľadom alebo v súlade s návodom používania zariadenia, odovzdanom osobami odpovedajúcimi za ich bezpečnosť.
- Venujte mimoriadnu pozornosť tomu, aby spotrebič nepoužívali deti ponechané bez dozoru.
- Skontrolujte, či el. napätie uvedené na výrobnom štítku zariadenia sa zhoduje s parametrami el. napätia siete.
- Pred montážou napájací kábel rozviňte a vyrovnajte.
- Dávajte pozor, aby sa obalové materiály (polyetylénové vrecká, kúsky polystyrénu atď.) nedostali do rúk deťom.
- Pred pripojením odsávača k sieťovému napájaniu vždy skontrolujte, či bol napájací kábel správne

nainštalovaný a či NEBOL pritlačený odsávačom počas montážnych prác. Zariadenie nepripájajte k el. napätiu predtým, než úplne skončíte montáž zariadenia.

- Odsávač sa nesmie používať bez namontovaných hliníkových protitukových filtrov.
- Pod odsávačom sa v žiadnom prípade nesmú pripravovať jedlá s použitím otvoreného ohňa (flambovanie). Je to prísne zakázané.
- Čo sa týka dodržiavania požadovaných technických a bezpečnostných prostriedkov a pokynov týkajúcich sa odvádzania spalín, bezpodmienečne dodržujte platné miestne predpisy a normy.
- V prípade, ak skrutky, ako aj montážne a upevňujúce prvky nebudú správne (v súlade s touto príručkou) dotiahnuté (upevnené), hrozí riziko úrazu, či dokonca smrti.
- Visiace odsávače fungujú iba v režime pohlcovania pachov.
- **POZOR!** Chýbajúca inštalácia upevňovacích skrutiek alebo prostriedkov v súlade s týmito pokynmi môže spôsobiť úraz elektrickým prúdom.

ROZBALENIE



Zariadenie je chránené pred poškodením počas prepravy. Prosíme Vás, aby ste po vybalení zariadenia zlikvidovali obalové materiály spôsobom neohrozujúcim životné prostredie.

Všetky materiály použité na zabalenie sú neškodné pre životné prostredie, sú 100% recyklovateľné a sú označe-

né príslušným symbolom.

Pozor! Dávajte pozor, aby sa obalové materiály (polyetylenové vrecká, kusky polystyrenu atď.) nedostali do rúk deťom.

LIKVIDÁCIA ZARIADENÍ



Toto zariadenie je označené v súlade s Európskou smernicou 2012/19/ES a poľským Zákonom o opotrebovaných elektrických a elektronických zariadení príslušným symbolom prečiarknutého kontajneru na odpady. Tento symbol informuje, že toto zariadenie sa po opotrebovaní (skončení používania) nesmie vyhodit' do komunálneho odpadu.

Užívateľ je povinný zariadenie odovzdať v zbernom mieste opotrebovaných elektrických a elektronických zariadení. Subjekty, ktoré sa zaoberajú spracovaním opotrebovaných zariadení, tzn. miestne zberné miesta, obchody alebo jednotky štátnej správy, vytvárajú príslušný systém, ktorý každému umožňuje odovzdať takéto zariadenia.

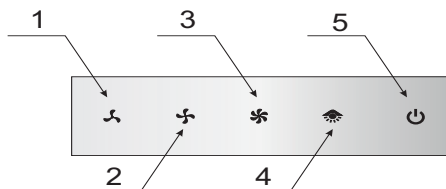
Správny postup pri likvidácii elektrického a elektronického zariadenia predchádza negatívnemu vplyvu škodlivých pre ľudské zdravie a životné prostredie konzekvencií, ktoré vyplývajú z prítomnosti nebezpečných častí ako aj nesprávneho skladovania a recyklácie takýchto zariadení.

Správny postup pri likvidácii elektrického a elektronického zariadenia predchádza negatívnemu vplyvu škodlivých pre ľudské zdravie a životné prostredie konzekvencií, ktoré vyplývajú z prítomnosti nebezpečných častí ako aj nesprávneho skladovania a recyklácie takýchto zariadení.

OBSLUHA

Ovládanie odsávača

Ovládací panel odsávača je zobrazený na obr. 4, na pripomenutie je uvedený aj nižšie:





Ovládací panel má niekoľko snímačov.



Keď chcete odsávač pár spustiť, stlačením príslušného snímača vyberte jednu z nižšie opísaných rýchlostí:

- 1- Najnižšia rýchlosť. Túto rýchlosť používajte, keď sa nevytvára príliš veľa pary.
- 2- Stredná rýchlosť. Túto rýchlosť používajte, keď sa vytvára stredne veľké množstvo pary, napr. pri varení niekoľkých jedál súčasne.
- 3- Najvyššia rýchlosť. Túto rýchlosť používajte, keď sa vytvára veľké množstvo pary, napr. pri vyprášaní či grilovaní.
- 4- Snímačom sa zapína alebo vypína pohotovostný (StandBy) režim odsávača.
- 5- Snímačom sa zapína alebo vypína osvetlenie.

Pozor:

- Keď chcete použiť jednu z troch rýchlostí, v prvom rade zapnite pohotovostný (StandBy) režim dotknutím snímača , a následne vyberte požadovanú rýchlosť. Keď chcete práve spustenú rýchlosť vypnúť, opätovne sa dotknite podsvieteného snímača.
- Keď chcete použiť osvetlenie, v prvom rade zapnite pohotovostný (StandBy) režim.
- Keď vypnete pohotovostný (StandBy) režim, vypne sa odsávanie aj osvetlenie.
- Keď chcete odsávač pár vypnúť, keď je práve spustené odsávanie, dvakrát sa dotknite snímača .

Časovač (oneskorené vypnutie odsávania)

Táto funkcia je určená na nastavenie oneskoreného vypnutia odsávania. Funkcia je vhodná napr. vtedy, keď chcete po skončení varenia odsáť všetky pary (zápach) z miestnosti. Čas oneskorenia je cca 15 minút. Keď chcete spustiť funkciu oneskorenia, keď je spustené odsávanie, na ľubovoľnej rýchlosti, jednokrát sa dotknite snímača . Snímač začne blikať. Blikanie signalizuje, že je nastavené oneskorené vypnutie odsávania. Keď chcete funkciu oneskoreného vypnutia vypnúť skôr ako uplynie nastavený čas, opätovne sa dotknite snímača . Funguje to tak isto, ako vypnutie zariadenia. Keď chcete odsávanie opäť spustiť, musíte opäť nastaviť požadovanú rýchlosť.

Iné dôležité informácie týkajúce sa používania odsávača

Režim pohlčovania: V tomto režime sa prefiltrovaný vzduch cez otvory, ktoré sú na to určené, vracia späť do miestnosti (recirkulácia). Pri tomto nastavení sa musí namontovať uhlíkový filter, a tiež odporúčame namontovať smerovač (difúzor) vychádzajúceho vzduchu (dostupný pre každý model, používa sa predovšetkým v komínových odsávačoch).

Režim odsávania: V tomto režime odsávač odvádza vzduch vonku špeciálnym potrubím. V tomto režime nepoužívajte uhlíkový filter (ak je vložený, vyberte ho). Odsávač pár sa pripája k ventilačnému komínu pomocou pevných alebo elastický rúr s priemerom 150 mm alebo 120 mm a príslušných spojok, ktoré si môžete zaobstaráť v obchodoch s inštaláčnymi materiálmi. Pripojenie je potrebné zadať kvalifikovanému technikovi.

Rýchlosť ventilátora: Najnižšia a stredná rýchlosť ventilátora sa používa v normálnych podmienkach a pri malej koncentrácii pár. Najvyššia rýchlosť sa používa iba v prípade vysokej koncentrácie kuchynských pár, napr. počas smaženia, grilovania.

Pozor (týka sa iba univerzálnych odsávačov): Univerzálne odsávače sú skonštruované tak, že zmena režimu práce odsávača sa musí vykonať ručne. Spôsob zmeny režimu je znázornený na obrázku 8.

Pozor (týka sa iba vstavaných a teleskopických odsávačov): Vstavané a teleskopické odsávače používané v režime pohlčovania, musia mať namontované potrubie odvádzajúce vzduch. Druhý koniec potrubia je potrebné nasmerovať do miestnosti, tadiaľ bude odvádzaný prefiltrovaný vzduch.

Pozor: Visiace odsávače fungujú iba v režime pohlčovania.

ČISTENIE A ÚDRŽBA

Konzervácia

Pravidelné čistenie a údržba zariadenia zaručujú dobré fungovanie odsávača a zároveň predlžujú jeho životnosť. Dôležité je pravidelné čistenie protitukových filtrov a výmena uhlíkových filtrov v súlade s odporúčaniami výrobcu.

- Nepoužívajte vlhké handričky alebo špongie ani prúd vody.
- Nepoužívajte riedidlá ani alkohol, pretože by mohli zmatnieť lakované povrchy.
- Nepoužívajte leptavé látky, najmä na čistenie povrchov z nerezovej oceli.
- Nepoužívajte tvrdé, drsné handričky
- Odporúčame používať vlhkú a jemnú handričku s použitím jemných saponátov.

Pozor: Po niekoľkých umytiach v umývačke riadu sa farba hliníkového filtra (mriežky) môže zmeniť. Taká zmena farby neznamena, že filter nefunguje správne, a že sa musí vymeniť.

Protitukový filter

Hliníkový protitukový filter je potrebné čistiť každý mesiac počas normálnej prevádzky odsávača, v umývačke riadu alebo ručne s použitím jemného čistiaceho prostriedku alebo tekutého mydla.

Demontáž hliníkového protitukového filtra je znázornená na obrázku č. 5.

Pri niektorých modeloch je použitý akrylový filter. Musí byť vymenený aspoň raz za 2 mesiace, alebo častejšie v prípade veľmi intenzívneho používania.

Uhlíkový filter

Uhlíkový filter sa používajú iba vtedy, ak odsávač pár nie je pripojený na ventilačný komín. Uhlíkový filter je schopný absorbovať pachy až určitú absorpčnú hladinu – nasýtenie. Uhlíkové filtre sa nesmú umývať, nie sú vhodné na regeneráciu a musia sa vymieňať, a to aspoň raz na 2 mesiace alebo častejšie, ak sa odsávač pár využíva intenzívne.

Demontáž uhlíkového filtra je znázornená na obrázku 6.

Osvetlenie

Je potrebné používať žiarovky / halogény / diódové moduly s rovnakými parametrami ako sú nainštalované výrobcom v zariadení. Výmena osvetlenia je znázornená na obrázku č. 7. Ak obrázok nie je v tejto príručke uvedený, modul osvetlenia môže vymeniť iba autorizovaný servis.

ZÁRUKA, POPREDAJNÝ SERVIS

Záruka

Záruka sa poskytuje podľa podmienok uvedených v záručnom liste. Výrobca neodpovedá za akékoľvek škody spôsobené nesprávnym zaobchádzaním a používaním výrobku.



Výrobca zariadenia odporúča, aby všetky opravy a nastavenia výrobku vždy vykonával továrenský servis alebo autorizovaný servis výrobcu. Zariadenie môže opravovať iba certifikovaný technik, ktorý má potrebné kvalifikácie

Vyhlásenie výrobcu

Výrobca týmto vyhlasuje, že výrobok spĺňa dôležité požiadavky nasledujúcich európskych smerníc:

- smernica pre nízke napätie 2014/35/EC
- smernica elektromagnetickej kompatibility 2014/30/EC
- smernica ErP - 2009/125/EC
- smernica RoHS 2011/65/EC

a preto výrobok získal označenie  a bolo preň vydané Vyhlásenie o zhode, a toto vyhlásenie bolo sprístupnené orgánom obchodnej inšpekcie.

Stimate Client

De astăzi activitățile zilnice vor deveni mult mai simple decât oricând. Aparatul **Amica** este o combinație excepțională în utilizarea ușoară și eficiența excepțională. După citirea acestor instrucțiuni, utilizarea nu va fi o problemă.

Electrocasnicul a fost verificat minuțios pe linia de fabricație la posturile de control din punct de vedere al parametrilor de siguranță și funcționalitate înainte de a fi ambalat.

Vă rugăm să citiți cu atenție aceste instrucțiuni înainte de a utiliza aparatul. Respectarea indicațiilor cuprinse în aceste instrucțiuni vă vor permite să evitați utilizarea incorectă a electrocasnicului. Instrucțiunile trebuie păstrate și depozitate în așa fel încât să le aveți mereu la îndemână.

Instrucțiunile de utilizare trebuie respectată cu exactitate pentru a evita accidentele.

Cu deosebită stimă

Amica

INDICAȚII PRIVIND SIGURANȚA

- Hota poate fi folosită numai după citirea prezentelor instrucțiuni
- Hota este destinată numai pentru uz casnic
- Producătorul își rezervă dreptul de a efectua modificări care nu vor afecta funcționarea.
- Producătorul nu își asumă nici un fel de responsabilitate pentru eventualele daune sau incendii care vor fi cauzate de acest dispozitiv care vor rezulta din nerespectarea prevederilor cuprinse în prezentul manual.
- Hota de deasupra aragazului este destinat pentru îndepărtarea vaporilor din bucătărie. Nu trebuie folosit în alte scopuri.
- Hota care funcționează în varianta cu evacuare trebuie conectată la o conductă de evacuare corespunzătoare (nu conectați la hornuri, coșuri de fum sau de evacuare a gazelor, care se află deja în exploatare). Hota necesită instalarea unei conducte care va evacua aerul în exterior. Lungimea conductei (de obicei tub Ø 120 mm sau 150 mm) nu ar trebui să fie mai lungă decât 4-5 m. Tubul de evacuarea aerului este de asemenea necesar la hotele telescopice și incorporabile utilizate în varianta filtrare- recirculare.
- Hota care funcționează în varianta filtrare-recirculare necesită instalarea filtrului cu carbon activ. În acest caz nu este nevoie să montați conductă de evacuare a aerului în exterior, în schimb se recomandă montajul unui deflector, în special la hotele tip horn).
- Hota posedă iluminare independentă și ventilator de evacuare a vaporilor cu posibilitatea de setare a uneia din cele câteva viteze de rotație.

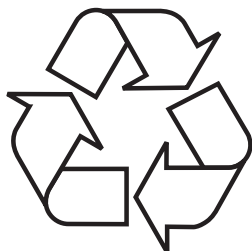
- În funcție de versiunea dispozitivului, hota este destinată pentru montajul permanent pe peretele vertical deasupra aragazului pe gaz sau a celui electric (hotele cu horn și cele universale); pe tavan deasupra aragazului pe gaz sau a celui electric (hote tip insulă); pe peretele vertical în cadrul mobilierului incorporat deasupra aragazului pe gaz sau a celui electric (hotele telescopice și cele incorporabile). Înainte de începerea montajului trebuie să vă asigurați că structura peretelui / tavanului este corespunzătoare pentru susținerea hotei. Unele modele de hote sunt foarte grele.
- Înălțimea de montare a hotei deasupra plitei electrice este menționată în instrucțiunile produsului (specificația tehnică a hotei). În cazul în care în manualul pentru instalarea dispozitivelor cu gaz este precizată o distanță mai mare, se va respecta aceasta distanță (Fig.1).
- Sub hota de bucătărie nu se permite lăsarea flăcării deschise, în timpul dării la o parte a vaselor de pe zona de gătit, trebuie setată flacăra cea mai mică.. Întotdeauna trebuie să verificați dacă flacăra iese în afara vasului, deoarece aceasta poate conduce la pierderea nedorită a energiei și la o concentrare periculoasă a căldurii.
- Mâncărurile care sunt pregătite cu folosirea uleiului trebuie în permanență supravegheate, deoarece uleiul încins se poate aprinde foarte repede.
- Înainte de fiecare operațiune de curățare, înlocuire a filtrului sau înainte de a începe lucrările de reparare, trebuie să scoateți ștecherul din priză.
- Filtrul împotriva grăsimilor pentru hota de bucătărie trebuie curățat cel puțin 1 dată pe lună, deoarece plin de grăsime este ușor inflamabil.
- În cazul în care în încăpere, în afara hotei, sunt exploatate și alte dispozitive cu alimentare ne-electrică (de ex. sobe cu combustibil lichid, încălzitoare apă, boilere), trebuie să aveți grijă ca

sistemul de aerisire să fie corespunzător (fluxul de aer). Exploatarea în siguranță este posibilă în cazul în care în timpul funcționării concomitente a hotei și a dispozitivelor de ardere, în funcție de aerul din încăpere, pe locul de amplasare a acestor dispozitive există subpresiune nu mai mare de 0,004 milibari (acest punct nu este obligatoriu, atunci când hota de deasupra aragazului este folosită ca sistem de absorbție a mirosurilor).

- Hota de bucătărie nu trebuie să fie folosită ca suprafață de sprijin pentru persoanele care se află în bucătărie.
- Hota trebuie să fie curățată frecvent atât în exterior cât și în interior (CEL PUȚIN ODATA PE LUNA, respectând indicațiile privind întreținerea prezentate în manual). Nerespectarea acestor reguli privind curățarea hotei și schimbul de filtre poate duce la apariția de incendii.
- În cazul în care cablul de alimentare va fi deteriorat, atunci acesta trebuie înlocuit cu unul nou de către un centru de reparații autorizat.
- Trebuie să fie posibilă deconectarea dispozitivului de la rețeaua de alimentare cu curent electric, prin deconectarea ștecherului sau oprirea întrerupătorului bipolar
- Aparatul acesta nu poate fi folosit de către persoane (inclusiv copii) cu capacități fizice, senzoriale sau psihice limitate, ori de către persoane care nu au experiență sau nu cunosc aparatul, cu excepția cazului în care acest lucru are loc sub supravegherea sau conform instrucțiunii de utilizare a aparatului, indicate de către persoanele responsabile de siguranța acestora.
- Trebuie să fiți foarte atenți ca acest dispozitiv să nu fie folosit de copii lăsați fără supraveghere.
- Verificați dacă tensiunea care este trecută pe eticheta de fabricație corespunde parametrilor de alimentare de la locul unde va fi aceasta folosită.

- Înainte de montaj trebuie să desfaceți și să întin-deți cablul de alimentare cu curent electric.
- Materialele ambalajului (sacii din polietilena, bu-cățile de polistiren etc.) nu trebuie lăsate la înde-mâna copiilor pe durata despachetării.
- Înainte de a conecta hota la sursa de alimentare trebuie de fiecare dată să verificați dacă cablul de alimentare este în mod corect instalat și NU a fost strivit de către hotă în timpul operațiilor de montare. Nu conectați dispozitivul la rețeaua de alimentare cu curent electric înainte de sfârșitul montajului.
- Este interzisă folosirea hotei fără filtrele de alu-miniu instalate împotriva depunerii grăsimilor.
- Este strict interzisă pregătirea sub hotă a mân-cărilor care necesită folosirea flăcării deschise (flambare).
- În măsura în care este necesară punerea în apli-care a cerințelor tehnice și de siguranță în ceea ce privește gazele de evacuare trebuie să fie reș-pectate cu strictețe reglementările emise de că-tre autoritățile locale competente.
- Neînșurubarea șuruburilor sau a elementelor de fixare în conformitate cu prezentele instrucțiuni poate conduce la apariția pericolelor pentru viață și sănătate.
- Hotele suspendate funcționează numai în varian-ta filtrare- recirculare.
- ATENȚIE! Neinstalarea șuruburilor sau a dispozi-tivului de fixare în conformitate cu aceste instrucți-uni poate duce la pericolelor de natură electrică.

DESPACHETARE



Dispozitivul este protejat împotriva deteriorării pe toată perioada transportului. Vă rugăm ca după ce despachetați aparatul să disponibilizați elementele ambalajului astfel încât acest lucru să nu dăuneze mediului înconjurător.

Toate materialele folosite pentru ambalaj nu dăunează mediului sunt 100% reciclabile și au fost marcate cu simbolul corespunzător.

Atenție! Materialele ambalajului (sacii din polietilenă, bucățile de polistiren etc.) nu trebuie lăsate la îndemână copiilor pe durata despachetării.

ÎNDEPĂRTAREA

DISPOZITIVELOR UZATE



Acest aparat este marcat conform Directivei Europene 2012/19/CE și Legii poloneze cu privire la echipamentele electrice și electronice folosite cu simbolul containerului pentru deșeuri. Acest marcaj informează că echipamentul acesta după perioada în care a fost utilizat nu poate fi aruncat împreună cu gunoiul menajer.

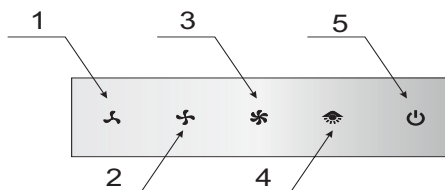
Beneficiarul are obligația de a preda dispozitivul uzat celor care se ocupă cu reciclarea echipamentelor electrice și electronice. Instituțiile care le primesc, inclusiv punctele de ridicare, magazinele și autoritățile locale vor organiza un sistem corespunzător de predare a acestor echipamente.

Procedarea corespunzătoare cu echipamentele electrice și electronice asigură eliminarea consecințelor dăunătoare pentru sănătatea oamenilor și a mediului înconjurător, care reies din prezența unor substanțe periculoase și din depozitarea și prelucrarea necorespunzătoare a acestui tip de echipament.

OPERARE

Control hotă

Panoul de control al hotei este prezentat pe diagrama 4 ca reamintire este menționat de asemenea mai jos:





Panoul de control este echipat în senzori.



Pentru a porni hota trebuie să selectați unul dintre vitezele descrise mai jos prin apăsarea senzorului corespunzător:

- 1- Viteza mică. Utilizați această viteză la o cantitate nu prea mare de vapori
- 2- Viteza medie. Utilizați această viteză la o cantitate medie de vapori, de exemplu atunci când gătiți mai multe mâncăruri în același timp.
- 3- Viteza mare. Utilizați această viteză la o cantitate foarte mare de vapori, de exemplu la prăjire sau la grill.
- 4- Senzorul este folosit pentru pornirea sau oprirea modului StandBy la hotă.
- 5- Senzorul este folosit pentru pornirea sau oprirea iluminatului.

Atenție:

- Pentru a utiliza unul dintre cele trei viteze, în primul rând porniți modul StandBY prin senzor , urmând ca să selectați viteza dorită. Pentru a opri viteza activă, apăsați încă odată iluminatul senzorului.
- Pentru a utiliza iluminatul, în primul rând porniți modul StandBy.
- Oprirea modului StandBy provoacă oprirea motorului în hotă și a iluminatului.
- Pentru a opri hota, la viteza activă a motorului apăsați senzorul  de două ori.

Timer (întârzie oprirea hotei)

Funcția aceasta este utilizată pentru oprirea întârziată a hotei. Utilizarea acestei funcții după gătire, pentru a curăța aerul din aburi în cameră. Timpul de întârziere este în jur de 15 minute. Pentru a activa funcția de întârziere, în timp de funcționarea hotei pe orice viteză apăsați senzorul  odată. Senzorul va începe să clipească. Clipirea semnalizează setarea corectă a timpului de întârziere pentru oprire. Pentru a opri funcția de întârziere, apăsați senzorul  încă odată. Este echivalent cu oprirea aparatului. Dacă doriți să continuați funcționarea lui, setați din nou viteza corespunzătoare.

Alte informatii importante pentru operarea hotei

Variante de utilizare

Utilizare in varianta filtrare-recirculare

La functionarea in aceasta varianta aerul incarcat cu fum si vapori este aspirat si returnat apoi filtrat in incapere prin orificiile proiectate in acest scop. Pentru aceasta varianta este obligatorie montarea unui filtru carbon conform Fig 6., iar la unele modele de hota –de exemplu la cele tip horn- un deflector, daca acesta se regaseste in echiparea hotei. Filtrele carbon se achizitioneaza contra cost de la Centrele de reparatii autorizate.

Utilizare in varianta evacuare in exterior

In aceasta varianta aerul este evacuat catre exterior printr-un orificiu de evacuare aflat in partea superioara a hotei; nu se va monta filtrul carbon. La orificiul de evacuare al hotei se va conecta o conducta rigida ori flexibila (preferabil) cu diametrul de 150 mm sau 120 mm cu capatul in exteriorul cladirii, cu ajutorul unor accesorii (dispozitive de prindere, jaluza exteriora etc) care trebuie achizitionate de la magazinele de instalatii. Montajul trebuie realizat de catre o persoana calificata.

Viteza ventilatorului

Vitezele mica si medie sunt folosite in cazul conditiilor normale, atunci cand exista o cantitate mica de fum si vapori; viteza maxima trebuie folosita in cazul unei cantitati mai mari de fum si vapori, de exemplu in timpul prajirii sau pregatirii gratarului.

Atentie: la hotele universale este necesara setarea manuala a variantei de utilizare, filtrare ori evacuare) prin actionarea unui levier; a se vedea Fig 8, acolo unde exista.

Atentie: la hotele incorporabile in mobilier si cele telescopice utilizate in varianta filtranta trebuie montata o conducta de evacuare a aerului, dar al carui capat se va directiona tot in incapere, prin care se va returna aerul filtrat.

Atentie: hotele suspendate functioneaza numai in varianta filtranta.

CURĂȚAREA ȘI ÎNTREȚINEREA

Întreținere

Întreținerea și curățarea regulată a dispozitivului vor asigura o funcționare bună și fără avarii a hotei și va prelungi durata de funcționare a acestora. Trebuie să acordați o deosebită atenție ca filtrele împotriva grăsimilor și filtrul cu carbon activ să fie curățate respectiv schimbate în conformitate cu recomandările producătorului.

- Nu folosiți cârpe și bureți imbibati cu apa și nici jetul de apă.
- Nu folosiți solvenți și nici alcool, deoarece acestea pot deteriora suprafețele lăcuite.
- Nu folosiți substanțe corozive, în special pentru curățarea suprafețelor din oțel inoxidabil.
- Nu utilizați o cârpă tare, aspră
- Se recomandă folosirea unei cârpe umede și a unui detergent neutru.

Atenție: După ce filtrul de aluminiu va fi spălat de câteva ori în mașina de spălat vase culoarea acestuia se poate schimba. Culoarea schimbată nu înseamnă că, filtrul este deteriorat și nici nu trebuie schimbat.

Filtrul împotriva grăsimilor

Filtrul din aluminiu împotriva grăsimilor trebuie să fie curățat o dată pe lună atunci când hota funcționează normal, în mașina de spălat vase sau manual folosind un detergent delicat sau săpun lichid.

Demontarea filtrului din aluminiu împotriva grăsimilor este prezentată în Fig. 5.

În unele modele este folosit filtrul acrilic. Trebuie înlocuit cel puțin o dată la 2 luni sau mai des în cazul în care hota este folosită foarte intens.

Filtrul de carbon

Filtrul activ este folosit numai atunci când hota nu este conectată la conducta de evacuare în exterior. Filtrul cu carbon activ posedă capacitatea de absorbție a mirosurilor până în momentul de saturare totală. Nu poate fi spălat și nici regenerat și trebuie să fie înlocuit cel puțin o dată la 2 luni, sau mai des în cazul în care este folosit mai intens.

Demontajul filtrului carbon este prezentat în Fig. 6.

Sistem de iluminare

Trebuie folosite becuri / halogene / module cu diode cu aceiași parametri ca cei montați din fabricație pe dispozitiv. Înlocuirea sistemului de iluminare este prezentată pe figura 7. În cazul în care figura nu apare în acest manual, înlocuirea modulului de iluminare poate fi efectuată numai de către un centru de reparatii autorizat.

GARANȚIE, SERVICII POSTVÂNZARE

Garanția

Condițiile de garanție sunt cele prezentate în Certificatul de garanție care însoțește produsul. Producătorul nu este răspunzător de eventualele prejudicii cauzate de utilizarea incorectă a produsului.




Producătorul echipamentului recomandă ca și în perioada post-garanție toate reparațiile să fie efectuate de către Centrele de service autorizate de către producător.

Declarația producătorului

Prin prezenta, producătorul declară că, acest produs îndeplinește cerințele de bază ale directivelor europene menționate în continuare:

- **directiva cu privire la joasa tensiune 2014/35/CE**
- **directiva cu privire la compatibilitatea electromagnetică 2014/30/CE**
- **directiva 2009/125/EC**
- **directiva cu privire RoHS 2011/65/EC**

și de aceea produsul a fost marcat cu simbolul  și a fost emisă declarație de conformitate care este pusă la dispoziția organelor de supraveghere a pieței.

Tisztelt Ügyfelünk

A mai naptól kezdve az Ön mindennapi teendői egyszerűbbek lettek mint valaha. A készülék **Amica** a könnyű használat és kiváló hatékonyság rendkívüli kombinációja. A használati utasítás elolvasását követően Önnek nem okoz gondot a kezelése.

A készülék, mely elhagyta a gyárat, gondosan ellenőrizve lett a csomagolás előtt a biztonságot és funkcionalitást illetően.

Kérjük Önöket, hogy a készülék üzembe helyezése előtt figyelmesen olvassák el a használati utasítást. A használati utasításban foglaltak betartása segít megelőzni a helytelen üzemeltetést. A használati utasítást meg kell tartani és el kell rakni úgy, hogy szükség esetén kéz alatt legyen.

A balesetek elkerülése érdekében gondosan követni kell a használati utasításban foglaltakat.

Tisztelettel,

Amica

BIZTONSÁGI UTASÍTÁSOK

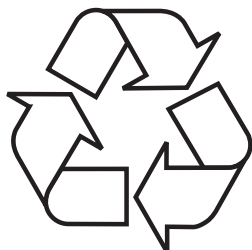
- A páraelszívót csak a jelen használati utasítás elolvasását követően lehet használni.
- A készüléket csakis háztartásbeli használatra tervezték.
- A gyártó fenntartja magának a jogot olyan újítások bevezetésére, melyek nem lesznek hatással a készülék használatára.
- A gyártó nem vállal felelősséget a készülék által okozott károkért illetve tüzesetekért, melyeket a jelen használati utasításban foglaltak be nem tartása okozott.
- A tűzhely feletti páraelszívó a konyhai gőzök elszívására használatos. Nem szabad más célra használni.
- Az elszívó üzemmódban dolgozó páraelszívót a megfelelő szellőző csatornához kell csatlakoztatni (nem szabad kéményhez, füstelvezető vagy égéstermék elvezető csatornákhöz csatlakoztatni, amelyek használatban vannak). A páraelszívóhoz csatlakoztatni kell tömlőt, mely elvezeti a levegőt kívülre. A tömlő hossza (általában 120 mm illetve 150 mm Ø cső) nem haladhatja meg a 4-5 m-t. A légelvezető tömlő szintén szükséges a teleszkópos és a bútorba beépített, keringtető üzemmódban üzemelő páraelszívónál.
- A keringtető üzemmódban üzemelő páraelszívóknál aktív széntartalmú szűrő felszerelése szükséges. Ebben az esetben nincs szükség levegő elvezető cső felszerelésére, viszont ajánlott a levegő kivezető kémény felszerelése (csak a kéményes páraelszívóknál).

- A páraelszívó független világítással és elszívó ventilátorral rendelkezik, mely különböző sebességfokozatokra állítható.
- A készülék verziójától függően, a páraelszívót egy függőleges falra kell szerelni a gáz- illetve elektromos tűzhely fölé (kéményes és univerzális páraelszívók); a gáz- illetve elektromos tűzhely fölött lévő mennyezetre (sziget páraelszívók); egy függőleges falra a gáz- illetve elektromos tűzhely fölött, beépítve egy konyhabútorba (teleszkópos és bútorokba beépített páraelszívók). Mielőtt elkezdené a felszerelést, győződjön meg arról, hogy a fal / mennyezet szerkezete elbírja a páraelszívó súlyát. A páraelszívó néhány modellje igen nehéz.
- Az elektromos tűzhely fölötti telepítési magasság a készülék termék adatlapján található (a készülék műszaki specifikációja). Ha a gáztűzhely használati utasításában nagyobb távolságok lettek előírva, akkor ezeket kell figyelembe venni (1 rajz)
- A páraelszívó alatt tilos a nyílt láng használata. Amikor levesszük az edényt a tűzhelyről, állítsuk a lángot minimumra. Mindig ellenőrizzük, hogy a lángok nem csapnak-e a ki az edény alól, mivel ez energiaveszteséget illetve veszélyes hő koncentrációt okozhat.
- Ha olajat használunk a sütéshez a páraelszívó alatt, az üzemeltetés teljes időtartama alatt tartsa szemmel az ételt, ugyanis a túlmelegedett olaj tüzet okozhat.
- Mielőtt kicserélnénk a zsírszűrő betéteket illetve minden javítás, karbantartás előtt áramtalanítsuk a készüléket kihúzva a dugót a konnektorból.
- A zsírszűrő betéteket legalább havonta meg kell tisztítani. A zsírral szennyezett zsírszűrő betétek könnyen lángra lobbanhatnak.

- Ha a helyiségben, ahol a páraelszívó üzemel, más nem elektromos készüléket is használunk (mint pl. a olajkemence, átfolyós vízmelegítő, bojler) biztosítani kell a jó szellőzést (levegőátfolyás). A biztonságos használat akkor lehetséges, ha a páraelszívó és a többi készülék egyszerre való használatánál, ott, ahol a készülékek el vannak helyezve, a légnyomás nem haladja meg 0,004 milibart (ez a pont érvényét veszti amikor a keringtető üzemmódban használjuk a páraelszívót)
- Nem szabad a páraelszívóra támaszkodni.
- A páraelszívót gyakran meg kell tisztítani, mind kívülről, mind pedig belülről (LEGALÁBB HAVONTA EGYSZER, a jelen használati utasításban foglalt karbantartási útmutatók betartásával). A páraelszívó tisztítására és a szűrők cseréjére irányuló utasítások be nem tartása tűzveszélyt okozhat.
- Ha a csatlakozó kábel megsérül, ki kell cserélni egy erre hivatott szakszervizben.
- Biztosítani kell a készülék kikapcsolhatóságát az áramforrásból, a csatlakozó dugó kihúzása illetve a kétpólusú megszakító gomb megnyomása által.
- Ezt a készüléket nem használhatják olyan személyek (többek között gyerekek) akik csökkent fizikai, érzékszervi vagy értelmi képességűek, vagy hiányzik a megfelelő tapasztalatuk vagy a tudásuk, hacsak nem felügyeli őket egy a biztonságukért felelős személy, aki a használati utasítás alapján útmutatókkal látja el őket.
- Különösen arra kell ügyelni, hogy a felügyelet nélkül maradt gyerekek ne játszhassanak a készülékkel.
- Győződjünk meg arról, hogy a készülék belsejében található típuscímkén feltüntetett hálózati feszültség és csatlakozó értékek megegyeznek-e a lakásban található értékekkel.
- A szerelési munkálatok megkezdése előtt tekerjük ki és egyenesítsük ki a csatlakozókábelt.

- A csomagolóanyagokat (polietilén zacskók, polisztirol stb.) a kicsomagolás közben tartsuk távol a gyerekektől.
- Mielőtt a készüléket a hálózatra csatlakoztatná, mindig ellenőrizze, hogy a tápkábel megfelelően van-e telepítve, és hogy NEM szorult-e be a páraelszívó alá az összeszerelési műveleteket során. Ne csatlakoztassa a készüléket az elektromos hálózatra a telepítés befejezése előtt.
- Tilos a páraelszívó használata ha nincs rá felszerelve az alumínium zsírszűrő.
- Szigorúan tilos a páraelszívó alatt a nyílt láng használata (flambrózás).
- Az égéstermék elvezetésével kapcsolatos biztonsági és műszaki követelmények alkalmazásánál szigorúan be kell tartani az illetékes helyi hatóságok rendelkezéseit.
- A csavarok illetve egyéb rögzítő elemek nem megfelelő – vagyis a jelen használati utasítással nem egyező - meghúzása és telepítése veszélyt jelenthet az emberi egészségre és életre.
- A lelógó páraelszívók csakis keringtető üzemmódban üzemelnek.
- FIGYELEM! A csavarok és rögzítő elemeknek nem az útmutató szerinti felhelyezése áramütés-veszélyt okozhat.

KICSOMAGOLÁS



A készülék a szállítás idejére megfelelő módon be lett csomagolva a biztonság érdekében. Miután kicsomagoltuk a készüléket, a csomagolást környezetkímélő módon kell eltakarítani.

Az összes csomagolóanyag a környezet számára ártalmatlan, 100% újrahasználatos és megfelelő jelekkel van

ellátva.

Figyelem! A csomagolóanyagokat (polietilén zacskók, polisztirol stb.) a kicsomagolás közben tartsuk távol a gyerekektől.

A HASZNÁLT KÉSZÜLÉKEK ELTÁVOLÍTÁSA



Ez a készülék el lett látva az 2012/19/EU direktíva valamint a lengyel, használt elektronikai cikkekről szóló törvény szerinti jellel – egy keresztülhúzott hulladéktartállyal. Ez a jelzés arról tájékoztat, hogy a készülék, miután használata befejeződött, nem kerülhet a szemétkosárba az összes többi

házi hulladékkal együtt.

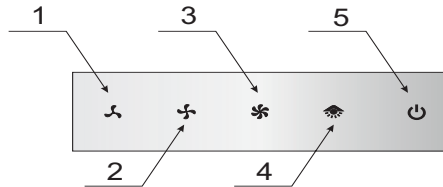
A felhasználó köteles az elhasznált készüléket egy elektronikus és elektromos hulladékgyűjtő pontban leadni. A hulladékgyűjtő pontok, többek között a lokális pontok, a boltok, az önkormányzati szervezetek egy rendszert alkotnak, mely lehetővé teszi a hulladék leadását.

Az elektronikus és elektromos hulladékkal való megfelelő bánásmód segít megelőzni az emberi egészségre és környezetre káros mellékhatásokat, melyeket a hulladékkal való nem megfelelő bánásmód és a hulladékban található veszélyes anyagok okozhatnak.

HASZNÁLAT

A páraelszívó vezérlése



A páraelszívó vezérlőpanelje a 4-es rajzon látható, emlékeztetőül lent is megtalálható:





A vezérlőpanel szenzorokkal van felszerelve. Hogy be tudja kapcsolni a páraelszívót, válassza ki az egyik lent leírt sebességfokozatot a megfelelő szenzor megérintésével:

- 1- Legalacsonyabb sebességfokozat. Ezt a sebességfokozatot kismennyiségű gőznél használja.
- 2- Közepes sebességfokozat. Ezt a sebességfokozatot nagyobb mennyiségű gőznél használja, például amikor egyszerre többféle ételt főz.
- 3- Legmagasabb sebességfokozat. Ezt a sebességfokozatot nagymennyiségű gőznél használja, például sütésnél illetve grillezésnél.
- 4- A szenzor a StandBy üzemmód be- illetve kikapcsolására szolgál a páraelszívóban.
- 5- A szenzor a világítás be- illetve kikapcsolására szolgál.

Figyelem:

- Hogy az egyik fent említett sebességfokozatot használhassa, először is kapcsolja be a StandBy üzemmódot a  szenzorral, majd pedig válassza ki a megfelelő sebességfokozatot. Egy aktív sebességfokozat kikapcsolása céljából ismételten érintse meg a megvilágított szenzort.
- A világítás aktiválása céljából először is kapcsolja be a StandBy üzemmódot.
- A StandBy üzemmód bekapcsolása a páraelszívó motorjának és világításának bekapcsolását eredményezi.
- A páraelszívó kikapcsolásának céljából egy aktív sebességfokozatnál érintse még kétszeri alkalommal a  szenzort.

Timer (a páraelszívó késleltetett kikapcsolása)

Ez a funkció a páraelszívó késleltetett kikapcsolására szolgál. Ezt a funkciót a főzés befejezését követően használja, hogy eltávolítsa a helyiségből a főzés közben keletkezett gőzöket. A késleltetési időszak kb. 15 perces. A késleltetés funkció bekapcsolásának céljából, egy aktív sebességfokozatnál érintse még kétszeri alkalommal a  szenzort. A szenzor elkezd pulzálni. A szenzor pulzálása azt jelzi, hogy a késleltetett kikapcsolás funkció megfelelően lett beállítva. A késleltetés funkció kikapcsolásának céljából, ismételten érintse meg a  szenzort. Ez a készülék kikapcsolását eredményezi. Ha folytatni szeretné a működését, állítson be egy sebességfokozatot.

A páraelszívó működésével kapcsolatos egyéb fontos információk

Keringtető üzemmódban való működés: Ebben az üzemmódban a szűrt levegő az erre a célra kialakított nyílásokon keresztül visszatér a helyiségbe. Ebben a beállításban egy szenszűrőt kell felszerelni, és javasoljuk a légfűvő felszerelését (a rendelkezésre állás függ a modelltől, főként kéményes páraelszívóknál kapható).

Elszívó üzemmódban való működés: Az elszívó üzemmódban történő használatnál a levegő a kültérbe van elvezetve egy speciális cső segítségével. Ennél az üzemmódnál el kell távolítani a szenszűrőt. A páraelszívó a levegő elvezető nyíláshoz egy speciális, merev vagy flexibilis 150 mm, illetve 120 mm átmérőjű cső és megfelelő rögzítő elemek segítségével van csatlakoztatva, melyeket az efféle áruk forgalmazásával foglalkozó üzletekben lehet megvásárolni. A telepítést szakképzett szakemberre kell bízni.

A ventilátor sebessége: A legalacsonyabb és a középső sebességfokozatot normális körülmények között és kisméretű gőz kibocsátásnál kell használni, míg a legnagyobb sebességfokozatot a gőzök nagy koncentrációjánál kell használni, mint pl. sütés közben, illetve grillezésnél.

Figyelem (csakis az univerzális páraelszívókra vonatkozik): Az univerzális páraelszívók szerkezete manuális üzemmód átállítást igényel. Az üzemmód megváltoztatásának módját a 8. ábra szemlélteti.

Figyelem (csak a beépíthető és teleszkópos páraelszívókra vonatkozik): A bútorba beépített és a teleszkópos páraelszívóknál keringtető üzemmódban levegő elvezető cső felszerelése szükséges. A cső másik végét a helyiségre kell irányítani, ezen keresztül áramlik majd a megszűrt levegő.

Figyelem: A felfüggesztett páraelszívók csakis elszívó üzemmódban üzemelnek.

TISZTÍTÁS ÉS KARBANTARTÁS

Karbantartás

A rendszeres karbantartás és tisztítás megfelelő és hibamentes működést, valamint hosszabb élettartamot biztosít a páraelszívónak. Különös figyelmet kell fordítani arra, hogy a zsírszűrő és az aktív széniszűrő a gyártó utasításainak megfelelően legyen tisztítva és kerüljön kicserélésre.

- Ne használjon nedves rongyot, illetve szivacsot vagy pedig folyóvizet.
- Ne használjon oldószert, illetve alkoholt, ugyanis ezek károsíthatják a festett felületeket.
- Ne használjon maró hatású anyagokat, különösen a rozsdamentes felületek tisztítására.
- Ne használjon kemény, durva rongyot
- Tisztításnál nem invazív hatású szereket és enyhén vizes törlőkendőt ajánlatos használni.

Figyelem: Többszöri, a mosogatógépben történő tisztítást követően az alumínium szűrő színe megváltozhat. A színváltozás nem jelent meghibásodást illetve nincs szükség a szűrő kicserélésére.

Zsírszűrő

Az alumínium zsírszűrőt a páraelszívó normális módon történő használatánál havonta kell tisztítani, mosogatógépben illetve kézi mosogatás által, enyhe hatású mosogatószer illetve folyékony szappan segítségével. Az alumínium zsírszűrő leszerelésének módja az 5. rajzon látható.

Néhány modellnél akril szűrő van alapfelszereltségen. Ezt legalább kéthavonta egyszer kell cserélni, illetve gyakrabban, ha a páraelszívót intenzíven használja.

Széniszűrő

A széniszűrőket csak akkor használjuk, amikor a páraelszívót nem csatlakoztattuk a szellőző rendszerhez. Az aktív szén tartalmazó szűrő magába szívja a főzés közben keletkező szagokat, egészen amíg meg nem telik. Nem lehet a szűrőt megtisztítani illetve újrahasználni, ezért legalább kéthavonta ki kell cserélni, ha intenzíven használjuk a páraelszívót, akkor gyakrabban.

A széniszűrő kicserélésének módját a 6. rajz mutatja.

Világítás

Csak olyan paraméterű izzókat / halogén lámpákat / diódos modulokat szabad használni, mint amilyenek a gyárilag felszereltek voltak. A világítás kicserélésének módját a 7. rajz mutatja. Ha a használati utasításban nem található az ezt bemutató rajz, akkor a világító modul cseréjét csak is a szakszervizben lehet elvégezni.

GARANCIA ÉS VÁSÁRLÁS UTÁNI SZERVIZ

Garancia

Garanciális szolgáltatás a garanciajegy alapján. A gyártó nem felelős a készülék helytelen használat okozta károkért.




A készülék gyártója azt javasolja, hogy az összes javítási, illetve karbantartási tevékenységet a Gyári Szakszerviz illetve a Gyártó Márkaszervize végezze el. A javítási munkákat csakis szakképzett személy végezheti el.

A gyártó nyilatkozata

A gyártó ezennel kijelenti, hogy a termék megfelel a következő EU direktíváknak:

- 2014/35/EC Alacsony feszültségű direktíva
- 2014/30/EC Elektromágneses kompatibilitás direktíva
- 2009/125/EC
- RoHS 2011/65/EC

Ezért is a terméket  jellel látta el és egy megfelelőségi nyilatkozatot adott ki hozzá, amelyet a tagországok piacfelügyelő hatóságai rendelkezésére bocsátott.

Уважаеми потребителю,

От днес ежедневните задължения ще бъдат по-лесни от всякога. Уредът **Amica** съчетава изключително лесно обслужване и отлична ефективност. След като прочетете инструкцията, обслужването му няма да бъде трудно.

Още в завода, преди да бъде опакован, уредът е старателно тестван за безопасност и функционалност в контролните стендове.

Моля, прочетете внимателно тази инструкция, преди да включите уреда. Спазването на посочените в нея препоръки ще Ви предпази от неправилно използване на уреда. Запазете тази инструкция и я съхранявайте така, че винаги да имате достъп до нея.

Спазвайте стриктно правилата на инструкцията за употреба, за да избегнете нещастни случаи.

С уважение

Amica

ПРЕПОРЪКИ ОТНОСНО БЕЗОПАСНОСТТА

- Преди да използвате аспиратора, трябва да се запознаете с настоящата инструкция
- Уредът е предназначен за използване само в домакинството.
- Производителят запазва правото си да въвежда промени нямащи влияние на действието на уреда.
- Производителят не носи никаква отговорност за евентуални щети или пожари, причинени от уреда, възникнали в резултат на неспазване на указанията от настоящата инструкция.
- Кухненският аспиратор е предназначен за отвеждане на парата от помещението. Не бива да се използва за други цели.
- Аспиратор, работещ в режим на отвеждане на парата, трябва да бъде присъединен към съответен вентилационен канал (не бива да се присъединява към комини и канали за отвеждане на дим или изгорели газове, които се използват). За правилната работа на аспиратора е необходим монтаж на канал, отвеждащ въздуха навън. Дължината на канала (обикновено тръба Ø 120 mm или 150 mm) не трябва да бъде по-голяма от 4-5 метра. При телескопичните и мебелните аспиратори, работещи в режим абсорбатор, също се изисква канал за отвеждане на въздуха.
- За правилната работа на аспиратор, работещ в режим абсорбиране, е необходимо инсталирането на филтър с активен въглен. В този случай не е необходимо инсталирането на отвеждащ въздуха навън канал, но се препоръчва монтаж на направляваща клапа на въздушния поток (само за коминни аспиратори).
- Аспираторът е оборудван с независимо осветление и смукателен вентилатор с възможност

за настройка на една от няколко достъпни скорости на работа.

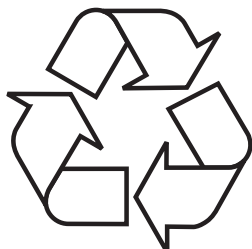
- В зависимост от версията на уреда аспираторът е предназначен за стационарен монтаж върху вертикална стена над газова или електрическа печка (коминни и универсални аспиратори); върху тавана над газова или електрическа печка (аспиратори за кухненски остров); върху вертикална стена с вграждане в кухненски шкаф над газова или електрическа печка (телескопични аспиратори и аспиратори за вграждане). Преди монтажа трябва да се уверите, дали конструкцията на стената / тавана е подходяща да издържи теглото на аспиратора. Някои от моделите аспиратори са много тежки.
- Височината на монтаж на уреда над електрически кухненски плот е посочена в картата на продукта (техническа спецификация на уреда). Ако в инструкциите за инсталиране на газовите устройства е посочено по-голямо разстояние, това условие трябва да се спази (Фиг. 1).
- Под кухненския аспиратор не бива да се оставя открит пламък. По време на снемане на съдовете от газовата горелка пламъкът трябва да е настроен на минимум. Винаги трябва да се провери, дали пламъкът не излиза извън дъното на съда, тъй като това причинява сериозни загуби на енергия и опасно кумулиране на топлина.
- Ястията, приготвяни върху мазнини трябва да бъдат под непрекъснат надзор, тъй като нагорещената мазнина може лесно да се запали.
- Преди всяко почистване, смяна на филтъра или провеждане на ремонтни дейности трябва да изключите щепсела на уреда от контакта.
- Филтърът срещу мазнини на кухненския аспиратор трябва да се почиства най-малко веднъж месечно, тъй като напоен с мазнина е лесноза-

палим.

- Ако в помещението, освен аспиратора, се използват други уреди, които не се хранват от електричество (например печки за течни горива, радиатори, водни нагреватели), трябва да осигурите съответна вентилация на помещението (приток на въздух). Безопасната експлоатация е възможна, ако при едновременната работа на аспиратора и изгарящите уреди, зависими от въздуха в помещението, в мястото на инсталирането на тези уреди стойността на подналягането не надвишава 0,004 милибара (това условие не важи, когато кухненският аспиратор се използва като абсорбатор на мизирими).
- Аспираторът не бива да се използва като подпорна повърхност от лицата, намиращи се в кухнята.
- Аспираторът трябва да се почиства често както отвън, така и отвътре (ПОНЕ ВЕДНЪЖ МЕСЕЧНО със спазване на указанията, посочени в настоящата инструкция). Неспазването на правилата за почистване на аспиратора и подмяна на филтрите може да доведе до опасност от пожар.
- В случай на увреждане на хранващия кабел трябва да го подмените в специализиран сервиз.
- Трябва да бъде осигурена възможност за изключване на уреда от хранващата мрежа чрез изваждане на щепсела или изключване на двуполюсния прекъсвач.
- Това оборудване не е предназначено за използване от лица (включително деца) с намалени физически, сетивни или умствени способности или лица без опит или познания, освен ако те са под наблюдение или са инструктирани относно използването на оборудването от лицата, отговорни за тяхната безопасност.

- Трябва да обърнете особено внимание, уредът да не се ползва от деца без надзор.
- Проверете, дали посоченото върху информационната табела на уреда напрежение е в съответствие с параметрите на местната хранваща мрежа.
- Преди монтажа развийте и изправете хранващия кабел.
- По време на разопаковане опаковъчните материали (торби от полиетилен, стиропор и т.н.) трябва да се държат далеч от деца.
- Преди включване на аспиратора към хранващата мрежа винаги трябва да проверите, дали хранващият кабел е инсталиран правилно и НЕ е смачкан от аспиратора по време на монтажните дейности. Не включвайте уреда към електрическата мрежа преди завършване на монтажа.
- Ползването на аспиратора без монтирани алуминиеви филтри срещу мазнини е забранено.
- Строго е забранено приготвянето на ястия под аспиратора с използване на открит пламък (фламбиране).
- Следва стриктно да се спазват издадените от местните власти разпоредби, отнасящи се за необходимите за прилагане технически средства и средства за безопасност в областта на отвеждането на изгорели газове.
- Недостатъчното затягане на винтовете и закрепващите елементи в съответствие с настоящата инструкция може да доведе до опасност за здравето и живота.
- Висящите аспиратори работят само в режим за абсорбиране на миризми
- **ВНИМАНИЕ!** Неинсталирането на болтовете и механизмите за фиксиране в съответствие с настоящите инструкции може да доведе до рискове от електрическо естество.

РАЗОПАКОВАНЕ

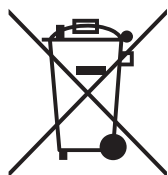


Устройството е защитено от повреди по време на транспорт. След разопаковане на устройството, моля, не забравяйте да премахнете опаковъчните материали по екологично съобразен начин.

Всички материали, използвани за опаковане, са безопасни за околната среда, 100% рециклируеми и затова са отбелязани със съответния символ.

Внимание! По време на разопаковане опаковъчните материали (торби от полиетилен, стиропор и т.н.) трябва да се държат далеч от деца.

ОБЕЗВРЕЖДАНЕ НА ИЗНОСЕНИ УРЕДИ



Това устройство е маркирано в съответствие с Европейската директива 2012/19/ЕС и на полския закон за електрически и електронни отпадъци със задраскан контейнер за отпадъци. Тази маркировка показва, че това оборудване, след определен период на ползване,

не може да се изхвърля заедно с другите битови отпадъци.

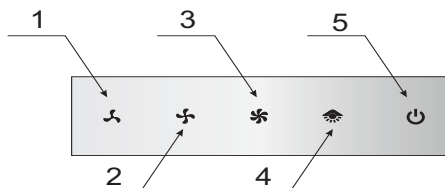
Потребителят е длъжен да го предаде там, където се събират отпадъци от електрическо и електронно оборудване. Събирателните пунктове, в това число местни пунктове за събиране, магазини или общински структури създават система, която позволява предаване на оборудването.

Подходящото третиране на отпадъците от електрическо и електронно оборудване помага за избягване на вредни за човешкото здраве и околната среда последици, произтичащи от наличието на опасни вещества, както и неправилно съхранение и обработка на такова оборудване.

ОБСЛУЖВАНЕ

Управление на абсорбатора



Панелът за управление на абсорбатора е представен върху фиг. 4, намира се също така и по-долу:





Панелът за управление е оборудван със сензори. За да включите абсорбатора, трябва да изберете една от описаните по-долу скорости чрез докосване на съответния сензор:

- 1- Най-ниска скорост. Тази скорост се използва при малко количество пара.
- 2- Средна скорост. Тази скорост се използва при средна интензивност на парата, например по време на готвене на много ястия наведнъж.
- 3- Най-висока скорост. Тази скорост е предназначена за използване при най-висока интензивност на парата - например по време на пържене или печене на грил.
- 4- Този сензор е предназначен за включване или изключване на режим StandBy в абсорбатора
- 5 - Този сензор е предназначен за включване или изключване на осветлението.

Забележка:

- За да включите една от трите скорости, първо трябва да включите режим StandBy със сензора , а след това да изберете съответната скорост. За да изключите активната скорост, трябва отново да докоснете подсветения сензор.
- За да включите осветлението, първо трябва да включите режим StandBy.
- Изключването на режим StandBy ще изключи осветлението и двигателя на абсорбатора.
- За да изключите абсорбатора при активна скорост на двигателя, натиснете двукратно сензор .

Таймер (изключване на абсорбатора със закъснение)

Тази функция е предназначена за изключване на двигателя на абсорбатора със закъснение. Използвайте тази функция след завършване на готвенето, за да почистите въздуха в помещението от изпаренията. Времето на закъснение е около 15 минути. За да включите функцията закъснение на изключването, трябва по време на работа с произволна скорост на абсорбатора да натиснете еднократно сензор . Сензорът ще започне да мига. Мигането сигнализира правилна настройка на времето на закъснение на изключването. За да изключите предварително функцията за закъснение, трябва за пореден път да натиснете сензор . Това е равнозначно с изключването на уреда. Ако искате да продължите работата на уреда, изберете отново съответната скорост.

Други важни информации за обслужването на абсорбатора

Работа като абсорбатор: При тази опция филтрираният въздух се връща обратно в помещението посредством предвидените за това отвори. При този режим на работа трябва да монтирате въглен филтър и се препоръчва монтиране на направляващ потока на въздуха елемент (достъпен в зависимост от модела, среща се главно в абсорбаторите от коминен тип).

Работа като аспиратор: В режим за отвеждане на въздуха аспираторът отвежда въздуха навън през специален канал. При този режим на работа трябва да отстраните евентуалния въглен филтър. Аспираторът е присъединен към отвеждащия въздуха отвор с помощта на твърда или еластична тръба с диаметър 150мм или 120мм и съответни скоби за тези тръби, които трябва да се закупят в магазините за инсталационни материали. Свързването на аспиратора към отвора трябва да бъде извършено от квалифициран инсталатор.

Скорост на вентилатора Най-ниската и средната скорост се използват при нормални условия и малка интензивност на парата. Най-високата скорост да се използва само при висока интензивност на парата в кухнята, например при пържене или печене на скара.

Забележка (отнася се само за универсалните абсорбатори): Конструкцията на универсалните абсорбатори изисква ръчна смяна на режима на работа на уреда. Начинът на смяна на режима е показан върху фигура 8.

Забележка (отнася се само за вградени в мебели и телескопични аспиратори): В случай на аспираторите за вграждане в кухненски шкаф и телескопичните аспиратори, които работят в режим абсорбатор, трябва да се инсталира тръба, отвеждаща въздуха. Вторият край на тръбата трябва да насочите към помещението, през нея ще бъде отвеждан филтрирания въздух.

Забележка: Висящите аспиратори работят само в режим абсорбатор.

ПОЧИСТВАНЕ И ПОДДРЪЖКА

Поддръжка

Редовната поддръжка и почистване на уреда ще осигурят добра и безаварийна работа на аспиратора и ще удължат неговия експлоатационен живот. Трябва да се обърне особено внимание почистването и смяната на филтъра за мазнини и въгления филтър да се изпълнява съгласно препоръките на производителя.

- Да не се използват овлажнени кърпи или гъби, нито водна струя.
- Да не се използват разтворители, нито алкохол, тъй като могат да причинят матиране на лакираните повърхности.
- Да не се използват разяждащи вещества, особено за почистване на повърхности, изработени от неръждаема стомана.
- Да не се използва твърда, драскаща кърпа
- Препоръчва се използването на влажна кърпа и неутрални миещи препарати.

Забележка: След няколкократно миене в съдомиялна машина цветът на алуминиевия филтър може да се промени. Промияната на цвета не означава несъответствие и не е необходима смяна на филтъра.

Филтър за мазнини

Алуминиевият филтър за мазнини трябва да се почиства ежемесечно при нормална работа на аспиратора. Да се мие в съдомиялна машина или ръчно с използване на неагресивен миещ препарат или течен сапун.

Демонтажът на алуминиевия филтър за мазнини е показан върху фигура 5.

В някои от моделите е използван акрилен филтър. Трябва да се сменява поне веднъж на 2 месеца или по-често в случай на изключително интензивно използване.

Въглен филтър

Въгленият филтър се използва само тогава, когато аспираторът не е присъединен към вентилационен канал. Филтърът с активен въглен има способност да поглъща миризмите, докато се насити. Не е подходящ за миене, нито за регенериране и трябва да се сменява поне веднъж на 2 месеца или по-често в случай на изключително интензивно използване.

Демонтажът на въгления филтър е показан върху фигура 6.

Осветление

Трябва да използвате крушки / халогенни лампи / диодни модули със същите параметри, както фабрично монтираните в уреда. Начинът на смяна на осветителните тела е показан върху фигура 7. Ако в настоящата инструкция тази фигура не е показана, това означава, че осветлението може да бъде подменено само от оторизиран сервиз.

ГАРАНЦИЯ, СЛЕД ПРОДАЖБЕНО ОБСЛУЖВАНЕ

Гаранция

Гаранционна поддръжка според гаранционната карта. Производителят не отговаря за повреди и каквито и да било щети настъпили в резултат от неправилното използване на уреда.



Производителят на оборудването препоръчва всички ремонти и дейности по настройка да се извършват от Фабричния Сервиз или от Оторизиран Сервиз на Производителя. Ремонтите трябва да се извършват само от лице, притежаващо съответните квалификации.

Декларация на производителя

Производителят декларира, че продуктът отговаря на съществените изисквания на европейските директиви, изброени по-долу:

- Директива 2014/35/ЕО за ниско напрежение
- Директива 2014/30/ЕО за електромагнетична компатибилност
- Директива 2009/125/ЕО
- Директива RoHS 2011/65/ЕО

и поради това продуктът е маркиран с **CE** и му е издадена декларация за съответствие на разположение на надзорните органи на пазара.

Estimado Cliente

A partir de hoy tus deberes serán más fáciles que nunca. El aparato **Amica** de la marca Amica es excepcionalmente fácil de usar y perfectamente eficaz. Después de leer el manual, el uso no será ningún problema.

El equipo, antes de abandonar la fábrica y ser embalado, fue minuciosamente comprobado que funciona seguramente en los puestos de control de calidad.

Les rogamos lean con atención este manual de la primera puesta en marcha de este aparato. Seguir las instrucciones incluidas en el presente manual les protegerá del uso inadecuado. Guardar este manual para tenerlo siempre accesible.

Seguir estrictamente las instrucciones de uso para evitar siniestros.

Atentamente

Amica

INDICACIONES RELACIONADAS CON SEGURIDAD

- ¡Lea detenidamente este manual antes de usar el aparato!
- El aparato está destinado solamente para usar en casa.
- El fabricante se reserva el derecho a realizar cambios que no influyan en la forma de funcionamiento del aparato.
- El fabricante no se responsabiliza de eventuales daños o incendios ocasionados por el equipo que resulten de la falta de observancia de recomendaciones del presente manual.
- La campana de cocina sirve para evacuar los vahos de cocina. No se debe usarla para otros objetivos.
- La campana que funciona en modo de extractor debe estar conectada a respectivo canal de ventilación (no conectar a canales de chimenea, de humo o de gases de escape que se encuentren en uso). La campana requiere instalación de conducto de evacuación de aire hacia fuera. El largo de conducto (muchas veces es tubo de \varnothing 120 mm ó 150 mm) no debe ser más largo que 4-5 m. El conducto de evacuación de aire también es requerido en las campanas telescópicas y de muebles en modo de absorbedor.
- La campana que funciona en modo de absorbedor requiere instalación de filtro con carbón activo. En este caso no se requiere instalación de conducto de evacuación de aire hacia fuera, pero se recomienda el montaje de volante de soplado de aire (solamente campanas de chimenea).
- La campana tiene iluminación independiente y ventilador de extracción dotado de posibilidad de

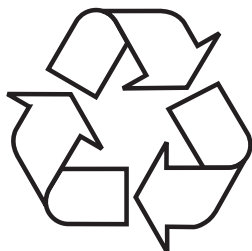
- fijar una de las velocidades de giro.
- En función de la versión de equipo la campana está destinada para fijar de manera permanente en una pared vertical por encima de la cocina de gas o eléctrica (campanas de chimenea y universales); en el techo por encima de la cocina de gas y eléctrica (campanas de isla); en la pared de los muebles que se encuentran por encima de la cocina de gas o eléctrica (campanas telescópicas y para empotrar). Antes del montaje se debe asegurar que la estructura de la pared / techo es adecuada para soportar la campana. Algunos modelos de campanas pesan mucho.
 - La altura de montaje de aparato por encima de la placa eléctrica se encuentra en la tarjeta de producto (especificación técnica de aparato). Si en el manual de instalación de aparatos a gas se da una distancia mayor, se debe tenerlo en cuenta (Fig 1).
 - Por debajo de la campana de cocina no se puede dejar fuego abierto a la hora de quitar los vasos del quemador, se debe dejar fuego mínimo. Siempre se debe comprobar que la llama no sale fuera del vaso ya que esto hace pérdida indeseada de energía y concentración peligrosa de calor.
 - Los platos preparados en grasa debe estar vigilados permanentemente ya que la grasa puede encenderse.
 - Antes de cada operación de limpieza, cambio de filtro o antes de empezar la reparación se debe sacar el enchufe de aparato de contacto.
 - El filtro de grasa para la campana se debe limpiar al menos una vez al mes, ya que si saturado de grasa es peligroso.
 - Si en el cuarto, además de la campana, se usan otros aparatos de alimentación no eléctrica (por ejemplo, hornos a combustibles líquidos, calentadores de flujo, escalfadores), se debe cuidar de

ventilación suficiente (admisión de aire). Una explotación segura es posible con el trabajo simultáneo de campana y aparatos quemadores, dependientes del aire que existe en el cuarto, en el lugar donde se encuentran estos aparatos existe hipertensión por encima de 0,004 milibar (este punto no se debe tener en cuenta cuando la campana es usada como absorbedor de olores).

- La campana no debe servir como superficie de soporte para las personas que se encuentran en la cocina.
- La campana debe limpiarse muy frecuentemente tanto fuera como pro dentro (AL MENOS UNA VEZ AL MES, manteniendo las indicaciones relativas al mantenimiento del presente manual). En caso de no seguir los principios relativos a la limpieza de la campana y cambio de filtros puede surgir amenaza de incendio.
- Cuando el cable de alimentación esté dañado, deberá ser reemplazado en un taller especializado de reparación.
- Hay que garantizar la posibilidad de desconectar el aparato de la red eléctrica, por medio de la desconexión del interruptor bipolar.
- El presente aparato no debe ser usado por personas (incluyendo niños) con capacidad física, sensual y psíquica limitada y por las personas que no tengan experiencia o conocimientos del empleo del aparato con tal de que se encuentren bajo vigilancia o sigan las instrucciones de uso del aparato por la persona responsable de su seguridad.
- Hay que fijarse en que los niños sin tutela no usen ni jueguen con el aparato.
- Comprobar que el voltaje de la tabla nominal equivale a los parámetros locales de alimentación.
- Antes montar desarrollar y enderezar el cable eléctrico.

- Los materiales de embalaje (saquitos de polietileno, trozos de poliuretano, etc.) deben ser guardados lejos del alcance de niños a la hora de desembalar.
- Antes de conectar la campana a la red eléctrica siempre se debe controlar que el cable eléctrico fue instalado correctamente y NO fue aplastado por la campana durante el montaje. No conectar el aparato a la red eléctrica antes de terminar el montaje.
- Está prohibido usar la campana sin montar los filtros de grasa de aluminio.
- Está absolutamente prohibido preparar platos a fuego abierto (flambeado).
- En cuanto a los medios de seguridad y técnicos relativos a la evacuación de gases de combustión se debe seguir absolutamente las leyes emitidas por las autoridades locales.
- No enroscar tornillos o elementos de fijación de conformidad con el presente manual puede amenazar la salud y la vida.
- Las campanas colgantes funcionan solamente en el modo de absorbedor de olores
- ¡ATENCIÓN! Si no se instalan los tornillos y elementos de fijación de acuerdo con estas instrucciones se puede incurrir en riesgos de naturaleza eléctricos.

DESEMBALAJE

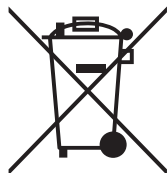


El aparato ha sido asegurado contra daños antes del transporte. Después de desembalar el dispositivo les rogamos eliminen los elementos del embalaje de forma que no sea nociva para el medio ambiente.

Todos los materiales empleados para embalar no son nocivos para el medio ambiente, en un 100% sirven para ser reciclados y llevan símbolos respectivos.

¡Advertencia! Los materiales de embalaje (saquitos de polietileno, trozos de poliuretano, etc.) deben ser guardados lejos del alcance de niños a la hora de desembalar.

ELIMINACIÓN DE APARATOS USADOS



Este aparato está marcado con el símbolo de contenedor para desechos tachado, según la Directiva Europea 2012/19/CE y la ley polaca sobre aparatos eléctricos y electrónicos gastados. Dicho símbolo informa que este aparato, pasado el periodo de su uso, no debe ser eliminado junto con los

demás desechos procedentes de hogares.

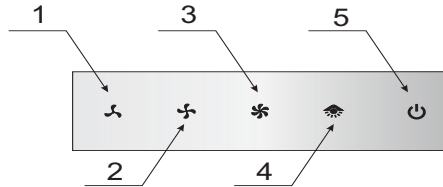
El usuario está obligado a devolverlo a un lugar destinado para recoger el equipo eléctrico y electrónico gastado. Las entidades que realizan la recogida, incluyendo los puntos locales de recogida, tiendas, y entidades municipales, crean un sistema adecuado que permite la devolución de estos aparatos.

El adecuado uso del equipo eléctrico y electrónico gastado ayuda a evitar las consecuencias que son nocivas para humanos y para el medio ambiente procedentes de la presencia de componentes peligrosos e inadecuado almacenamiento y procesamiento de estos dispositivos.

USO

Control de campana

El panel de control de la campana está presentado en el dibujo 4, para recordar también lo ponemos a continuación:





El panel de control está dotado de sensores.



Para activar la campana seleccionar una de las marchas descritas por medio de tocar el sensor adecuado:

- 1- Marcha inferior. Usar esta marcha con pocos vahos.
- 2- Marcha media. Usar esta marcha con media cantidad de vahos, por ejemplo, a la hora de cocinar muchos platos al mismo tiempo.
- 3- Marcha superior. Usar esta marcha con mayor cantidad de vahos, por ejemplo, a la hora de freír o asar a la parilla.
- 4- El sensor sirve únicamente para activar o desactivar el modo de Espera de la campana
- 5- El sensor sirve para activar o desactivar la iluminación.

Advertencia:

- Para usar una de las tres marchas, en primer orden activar el modo de Espera con el sensor , luego seleccionar la marcha adecuada. Para desactivar la marcha activa, tocar el sensor iluminado.
- Para usar la iluminación, en primer lugar activar el modo de Espera.
- La desactivación del modo de Espera hará la desactivación del motor de la campana y de la iluminación.
- Para desactivar la campana con la marcha activada del motor, apretar el sensor  dos veces.

Temporizador (retraso de la desactivación de la campana)

Esta función sirve para desactivar con demora del motor de la campana. Usar esta función después de terminar de cocinar, para limpiar el aire de vahos que se encuentren en la cocina. El tiempo de retraso son unos 15 minutos. Para activar la función de demora, durante el trabajo de la campana en cualquier marcha tocar el sensor  tres veces. El sensor empezará a parpadear. EL parpadeo señalará el ajuste correcto del tiempo de demora de desactivación. Para desactivar la función de demora antes, tocar el sensor  una vez más. Esto equivale a desactivar el equipo. En caso de querer continuar el trabajo, volver a poner la marcha adecuada.

Otra información importante relativa al uso de la campana

Trabajo como absorbedor: En esta opción el aire filtrado vuelve al cuarto por medio de los agujeros preparados para ello. En esta configuración se debe montar el filtro de carbón y se recomienda montar el volante de soplado de aire (disponible en función del modelo, existe sobre todo en campanas de chimenea).

Trabajo como extractor: Durante el modo de trabajo de extractor de la campana, el aire es evacuado hacia fuera con un conducto especial. Con esta configuración se debe eliminar el eventual filtro de carbón. La campana está conectada al agujero que evacúa el aire hacia fuera por medio de un conducto rígido o elástico de diámetro de 150 mm ó 120 mm y bornes adecuados para conductos que se deben comprar en lugares con materiales de instalación. La conexión debe ser realizada por un instalador calificado.

Velocidad de ventilador: La velocidad inferior y media se usa en condiciones normales y con pocos vahos, mientras que la velocidad superior se debe usar solamente con concentración alta de vahos de cocina, por ejemplo, a la hora de freír o preparar con parilla.

Atención (se refiere solamente a campanas universales): La estructura de campanas universales requiere cambio manual de modo de trabajo de la campana. La forma de cambio de este modo está presentada en la figura 8.

Atención (se refiere solamente a las campanas de muebles y telescópicas): Las campanas de muebles y telescópicas que trabajan en el modo de absorbedor requieren montaje de tubo que evacúa el aire. El segundo extremo del tubo debe ir dirigido al cuarto, por este tubo se evacuará el aire filtrado.

Advertencia: Las campanas colgantes funcionan solamente en el modo de absorbedor.

LIMPIEZA Y CONSERVACIÓN

Mantenimiento

El mantenimiento y limpieza regulares garantizarán un trabajo bueno y sin avería de la campana y alargarán su vida útil. Se debe prestarse mucha atención que el filtro de grasa y el filtro con carbón activo estén limpios y se reemplacen de conformidad con las recomendaciones de fabricante.

- No usar trapos mojados ni esponjas ni chorro de agua.
- No usar disolventes ni alcohol ya que pueden hacer mates las superficies barnizadas.
- No usar sustancias cáusticas, sobre todo para limpiar superficies hechas de acero inoxidable.
- No usar trapo duro, ásperos
- Se recomienda usar trapo húmedo y detergentes neutros.

Advertencia: Después de unos lavados en el lavavajías, el color de filtro de aluminio puede cambiar. El cambio de color no significa irregularidades y necesidad de su reemplazo.

Filtro de grasa

El filtro de aluminio debe ser limpiado cada mes durante el trabajo normal de la campana, en el lavavajías o manualmente con uso de un detergente delicado o jabón líquido.

El desmontaje de filtro de grasa aluminio se encuentra en la figura 5.

En algunos modelos se usa filtro acrílico. Se debe reemplazarlo al menos cada dos meses o con más frecuencia en caso de uso intenso.

Filtro de carbón

El filtro de carbón se usa solamente cuando la campana no está conectada al conducto de ventilación. El filtro con carbón activo tiene la capacidad de absorber olores hasta su saturación. No sirve para lavar ni para recuperación y debe ser reemplazado, al menos una vez cada dos meses o con más frecuencia en caso de uso excepcionalmente intenso. El desmontaje de filtro de carbón se encuentra en la figura 6.

Iluminación

Se deben usar bombillas / halógenos / módulos de diodos de los mismos parámetros como los montados en el aparato en la fábrica. El cambio de iluminación se encuentra en la figura 7. Si la figura no aparece en el presente manual, el cambio de módulo de iluminación puede ser realizado solamente por servicio autorizado.

GARANTÍA, ATENCIÓN DE POST VENTA

Garantía

Las prestaciones de garantía según la tarjeta de garantía. El fabricante no se responsabilizará por cualquier daño que resulte del uso inadecuado del producto.



El fabricante de equipo sugiere que todas las reparaciones y ajustes se realicen por el Servicio de Fábrica o Servicio Autorizado de fabricante. Las reparaciones deben ser realizadas solamente por la persona que tiene formación adecuada.

Declaración del fabricante

El fabricante declara con la presente que el producto cumple los requisitos esenciales de las siguientes directivas europeas:

- **directiva de baja tensión 2014/35/EC**
- **directiva de compatibilidad electromagnética 2014/30/EC**
- **directiva de diseño ecológico 2009/125/EC**
- **directiva RoHS 2011/65/EC**

y por lo tanto el producto fue marcado **CE** y tiene declaración de conformidad compartida a las entidades que supervisan el mercado.

Prezado Cliente

A partir de hoje as tarefas cotidianas tornar-se-ão mais simples do que nunca. O aparelho **Amica** é uma combinação de extrema facilidade de utilização e excelente eficiência. Após uma análise do manual de instruções, a sua utilização não apresentará qualquer problema.

O equipamento, antes de abandonar a fábrica e ser embalado, foi controlado minuciosamente nos postos de controlo tendo em conta a sua segurança e funcionalidade.

Por favor, leia atentamente o manual de instruções antes de activar o aparelho. O cumprimento dos conselhos que nele se encontram protegê-lo-ão contra uma utilização incorrecta. O manual deve ser guardado e armazenado de forma a encontrar-se sempre à mão.

Deve respeitar convenientemente as instruções do manual, para evitar acidentes infelizes.

Atenciosamente

Amica

CONSELHOS DE SEGURANÇA

- O aparelho apenas deve ser iniciado após tomar conhecimento do manual!
- O aparelho destina-se a apenas à utilização doméstica.
- Ao fabricante reserva-se o direito de introduzir alterações, que não influenciem o funcionamento do aparelho.
- O fabricante não se responsabiliza de qualquer forma pelos eventuais danos ou incêndios provocados pelo aparelho e resultantes do incumprimento das recomendações incluídas no presente manual.
- O exaustor de cozinha serve para remover os vapores de cozinha. Não utilizar para fins não conformes.
- Conectar o exaustor que opera em modo de extracção a uma conduta de exaustão apropriada (não conectar a chaminés, condutas de exaustão de fumo ou gás utilizadas). O exaustor requer a instalação de um ventilador de ar para o exterior. O comprimento do ventilador (na maioria dos casos um tubo Ø 120 mm ou 150 mm) não deve exceder os 4-5 m. O ventilador de aspiração de ar também é obrigatório no caso de exaustores telescópicos e encastráveis em modo de recirculação.
- O exaustor em modo de recirculação requer a instalação de um filtro de carvão activo. Neste caso não é exigida a instalação de uma conduta de ar para o exterior, no entanto recomenda-se a montagem do sistema de devolução de ar (ape-

nas nos exaustores tipo chaminé).

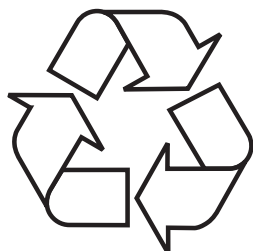
- O exaustor inclui um sistema de iluminação independente e um ventilador de extracção com possibilidade de ajuste entre os vários níveis de velocidade de rotação.
- Dependendo da versão do aparelho, o exaustor destina-se à instalação permanente sobre uma parede vertical por cima do fogão a gás ou eléctrico (exaustores tipo chaminé e universais); sobre o tecto por cima do fogão a gás ou eléctrico (exaustores de ilha); sobre uma parede vertical no caso de encastramento por cima do fogão a gás ou eléctrico (exaustores telescópicos e encastráveis). Antes de proceder com a montagem, certifique-se que a construção da parede / tecto tem capacidade suficiente para manter o exaustor. Alguns modelos de exaustores são muito pesados.
- A altura de montagem do aparelho por cima de uma placa eléctrica encontra-se indicada na carta do produto (especificação técnica do aparelho). Se nas instruções de instalação dos aparelhos a gás for recomendada uma distância maior, deve respeitá-las (Ilustr. 1).
- Quando retirar os utensílios do queimador, não deixe uma chama aberta por baixo do exaustor de cozinha, ajuste uma chama mínima. Verifique sempre se o diâmetro da chama não ultrapassa os limites do utensílio, para evitar uma desnecessária perda de energia e uma concentração perigosa de calor.
- Os alimentos preparados com gordura devem ser permanentemente supervisionados, pois a gordura sobreaquecida pode ser facilmente incendiada.
- Antes de qualquer limpeza, substituição de filtro ou antes de proceder com reparos, retire a ficha do aparelho da tomada.

- Limpe o filtro de gordura do exaustor de cozinha pelo menos 1 vez por mês, pois se ficar embebido em gordura torna-se inflamável.
- Se no respectivo espaço interior, além do exaustor, também forem utilizados outros aparelhos não eléctricos (p.ex. fogões alimentados a combustível líquido, esquentadores, aquecedores de água), deve garantir uma ventilação adequada (conduta de ar). A utilização segura é possível, se no caso de funcionamento em simultâneo do exaustor e de aparelhos de combustão que dependem da presença de ar no espaço interior, no ambiente de instalação destes dispositivos houver uma depressão máxima de 0,004 mbar (o presente ponto não diz respeito se o exaustor de cozinha for utilizado em modo de recirculação).
- O exaustor não deve servir como superfície de apoio para as pessoas que se encontram na cozinha.
- A superfície do exaustor deve ser limpa com frequência tanto na sua parte exterior como interior (PELO MENOS UMA VEZ POR MÊS, de acordo com os conselhos de manutenção incluídos no presente manual). O incumprimento das regras de limpeza do exaustor e de substituição dos filtros pode resultar no risco de incêndio.
- Se o cabo de alimentação for danificado, deve ser trocado num ponto de reparo especializado.
- Assegurar a possibilidade de desconexão do aparelho da corrente eléctrica, removendo a ficha ou desligando o interruptor bipolar.
- O presente equipamento não deve ser usado por pessoas (incluindo crianças) com capacidades físicas, sensoriais ou mentais reduzidas ou por pessoas sem experiência ou conhecimento do aparelho, excluindo situações em que estiverem sob supervisão ou procederem de acordo com a

instrução de utilização do aparelho, transmitida pela pessoa responsável pela sua segurança.

- Tomar especial atenção, para que o aparelho não seja utilizado por crianças sem supervisão.
- Verificar se a tensão indicada na chapa de identificação corresponde aos parâmetros de alimentação locais.
- Desdobrar e endireitar o cabo de alimentação antes da montagem.
- Os componentes de embalagem (os saquinhos de polietileno, pedaços de esferovite, etc.) devem ser mantidos fora do alcance de crianças durante o desempacotamento.
- Antes de conectar o exaustor à electricidade verificar se o cabo de alimentação foi devidamente instalado e NÃO ficou preso por baixo do exaustor durante as tarefas de instalação. Não conectar o aparelho à electricidade antes de terminar a sua instalação.
- É proibida a utilização do exaustor sem montar os filtros de gordura em alumínio.
- É extremamente proibida a preparação de alimentos com chama aberta por baixo do exaustor (flambagem).
- Respeitar rigorosamente os regulamentos emitidos pelas competentes autoridades locais no âmbito de requisitos técnicos e de segurança relativos ao escape.
- Os parafusos mal apertados e os elementos fixos sem seguir os conselhos do presente manual podem resultar em riscos para a saúde e a vida.
- Os exaustores suspensos apenas funcionam em modo de recirculação
- **ATENÇÃO!** A falta de instalação de parafusos ou dispositivos de fixação em conformidade com estas instruções, pode resultar em riscos elétricos.

DESEMPACOTAMENTO



O aparelho foi protegido durante o seu transporte contra uma danificação. Após desembalar o aparelho, por favor remova os elementos de embalagem de forma que não ameace o meio ambiente.

Todos os materiais utilizados para a produção da embalagem são inofensivos ao ambiente natural, são 100 % recicláveis e foram identificados com o respectivo símbolo.

Atenção! Os materiais de embalagem (os saquinhos de polietileno, pedaços de esferovite, etc.) devem ser mantidos fora do alcance de crianças durante o desempacotamento.

ELIMINAÇÃO DE APARELHOS GASTOS



O presente aparelho está identificado com o símbolo de contentor de lixo barrado de acordo com a Directiva da União Europeia 2012/19/UE e a Lei polaca sobre a gestão de equipamento eléctrico e electrónico gasto. Esta identificação informa de que o equipamento em questão não pode ser colocado juntamente com

os restantes resíduos domésticos, após terminar a sua utilização.

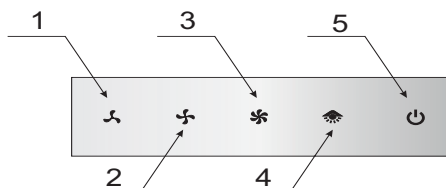
O utilizador é obrigado a entregá-lo num ponto de recolha de aparelhagem eléctrica e electrónica gasta. Os pontos de recolha, incluindo os pontos de recolha locais, as lojas e as unidades municipais, criam um sistema apropriado, que possibilita a entrega de tal equipamento.

O tratamento correcto dos resíduos de equipamento eléctrico e electrónico permite evitar consequências nocivas para a saúde de pessoas e para o meio ambiente, resultantes da presença de substâncias perigosas e da sua eliminação e tratamento incorrectos.

UTILIZAÇÃO

Controlo do exaustor

O painel de comando do exaustor foi apresentado na ilustração 4, a fim de memorizá-lo, também foi apresentado abaixo:



O painel de controlo está equipado com sensores.

Seleccionar uma das velocidades descritas abaixo ligando o respectivo sensor para activar o exaustor:

- 1- Velocidade mais baixa. Usar esta velocidade com uma pequena quantidade de vapores.
- 2- Velocidade média. Usar esta velocidade com uma quantidade média de vapores, por exemplo quando simultaneamente forem preparados diferentes alimentos.
- 3- Velocidade máxima. Usar esta velocidade com uma quantidade máxima de vapores, por exemplo durante a fritura ou grelha.
- 4- O sensor serve para ligar ou desligar o modo StandBy no exaustor
- 5- O sensor serve para ligar o desligar a iluminação.

Atenção:

- Para utilizar uma das velocidades, primeiro ligar o modo StandBy com o sensor logo escolher a velocidade adequada. Para desligar a velocidade ativa, tocar de novo o sensor iluminado.
- Para utilizar a iluminação, primeiro precisa de ligar o modo StandBy.
- Se desligar o modo StandBy desligamos o motor do exaustor ou da iluminação.
- Para desligar o exaustor com o motor ativo tocar o sensor duas vezes.

Timer (desligamento atrasado do exaustor)

Esta função serve para o desligamento atrasado do motor do exaustor. Usar esta função após terminar a cozedura, para remover os vapores do ar no espaço interior. O tempo de desligamento atrasado são cerca de 15 minutos. Para accionar a função de atraso, tocar uma vez no sensor durante o funcionamento do exaustor. O sensor emite um sinal intermitente. A intermitência indica o ajuste correcto do tempo de desligamento atrasado. Para desligar a função de atraso antes, toque o sensor uma vez mais. Desta forma desliga o aparelho. Se quiser continuar o seu funcionamento, ajustar novamente a respectiva velocidade.

Outras informações importantes sobre a utilização do exaustor

Modo de recirculação: Nesta opção o ar filtrado retorna ao espaço interior através dos respectivos orifícios. Nesta opção, deve ser instalado um filtro de carvão e é recomendada a instalação de um sistema de devolução de ar (a sua disponibilidade depende do modelo , disponível maioritariamente nos exaustores de chaminé).

Modo de extracção: Com o modo de extracção de ar, o exaustor envia o ar filtrado para o exterior através de um ventilador. Nesta opção deve remover o eventual filtro de carvão. O exaustor está conectado ao orifício de extracção de ar para o exterior através de um ventilador rígido ou flexível com diâmetro de 150 mm ou 120 mm e de braçadeiras apropriadas para ventiladores que devem ser adquiridas em pontos com materiais de instalação. A conexão deve ser feita por um instalador qualificado.

Velocidades do ventilador: A velocidade mais baixa e média são usadas em condições normais e com baixa concentração de vapores e a velocidade mais alta apenas deve ser usada no caso de uma grande concentração de vapores de cozinha, p.ex. durante a fritura ou grelha.

Atenção (apenas diz respeito aos exaustores universais): A estrutura dos exaustores universais requer uma modificação manual do modo de funcionamento do exaustor. A forma de modificação do respectivo modo foi apresentada na ilustração 8.

Atenção (apenas diz respeito aos exaustores de encastre e telescópicos): Os exaustores de encastre e telescópicos em modo de recirculação requerem a montagem de um tubo de extracção do ar. A outra ponta do tubo deve ser direccionada no sentido do espaço interior, é através dela que o ar filtrado será redireccionado.

Atenção: Os exaustores suspensos apenas funcionam em modo de recirculação.

LIMPEZA E MANUTENÇÃO

Manutenção

A manutenção e limpeza regulares do aparelho garantem um funcionamento fiável e a falta de falhas do exaustor bem como prolongam a sua longevidade. Deve prestar especial atenção aos filtros de gordura e de carvão pois estes devem ser limpos e substituídos de acordo com as recomendações do fabricante.

- Não usar panos ou esponjas embebidos em água nem um caudal de água.
- Não utilizar diluentes nem álcool, pois estes podem retirar o brilho às superfícies envernizadas.
- Não usar produtos abrasivos, particularmente quando forem limpas as superfícies em aço inoxidável.
- Não usar panos rígidos e ásperos
- Recomenda-se a utilização de um pano húmido e de detergentes neutros.

Atenção: Após alguns ciclos de lavagem na máquina a cor do filtro em alumínio pode alterar. A alteração da cor não é sinal de nenhum defeito nem requer a sua troca.

Filtro de gordura

O filtro de gordura em alumínio deve ser limpo pelo menos uma vez por mês na máquina ou à mão com um detergente delicado ou sabão líquido no caso de um funcionamento normal do exaustor.

A desmontagem do filtro de gordura em alumínio foi apresentada na ilustração 5.

Nalguns modelos foi aplicado um filtro acrílico. Este deve ser substituído pelo menos cada 2 meses ou com maior frequência em caso de uma utilização particularmente intensa.

Filtro de carvão

O filtro de carvão apenas é utilizado quando o exaustor não estiver ligado ao ventilador. O filtro de carvão activo tem a capacidade de absorver odores até ficar completamente embebido. Não deve ser lavado nem reutilizado e deve ser substituído pelo menos cada 2 meses ou com maior frequência em caso de uma utilização particularmente intensa.

A desmontagem do filtro de carvão foi apresentada na ilustração 6.

Iluminação

Usar lâmpadas / halogéneos/ módulos de díodos com parâmetros iguais àqueles que foram pré-instalados no aparelho. A substituição de iluminação foi apresentada na ilustração 7. Se a ilustração não se encontrar incluída no presente manual, a substituição do módulo de iluminação apenas poderá ser efectuada por um serviço autorizado.

GARANTIA, SERVIÇO PÓS-VENDA

Garantia

Atestado de garantia conforme a carta de garantia. O fabricante não se responsabiliza por quaisquer danos provocados pela utilização incorrecta do produto.



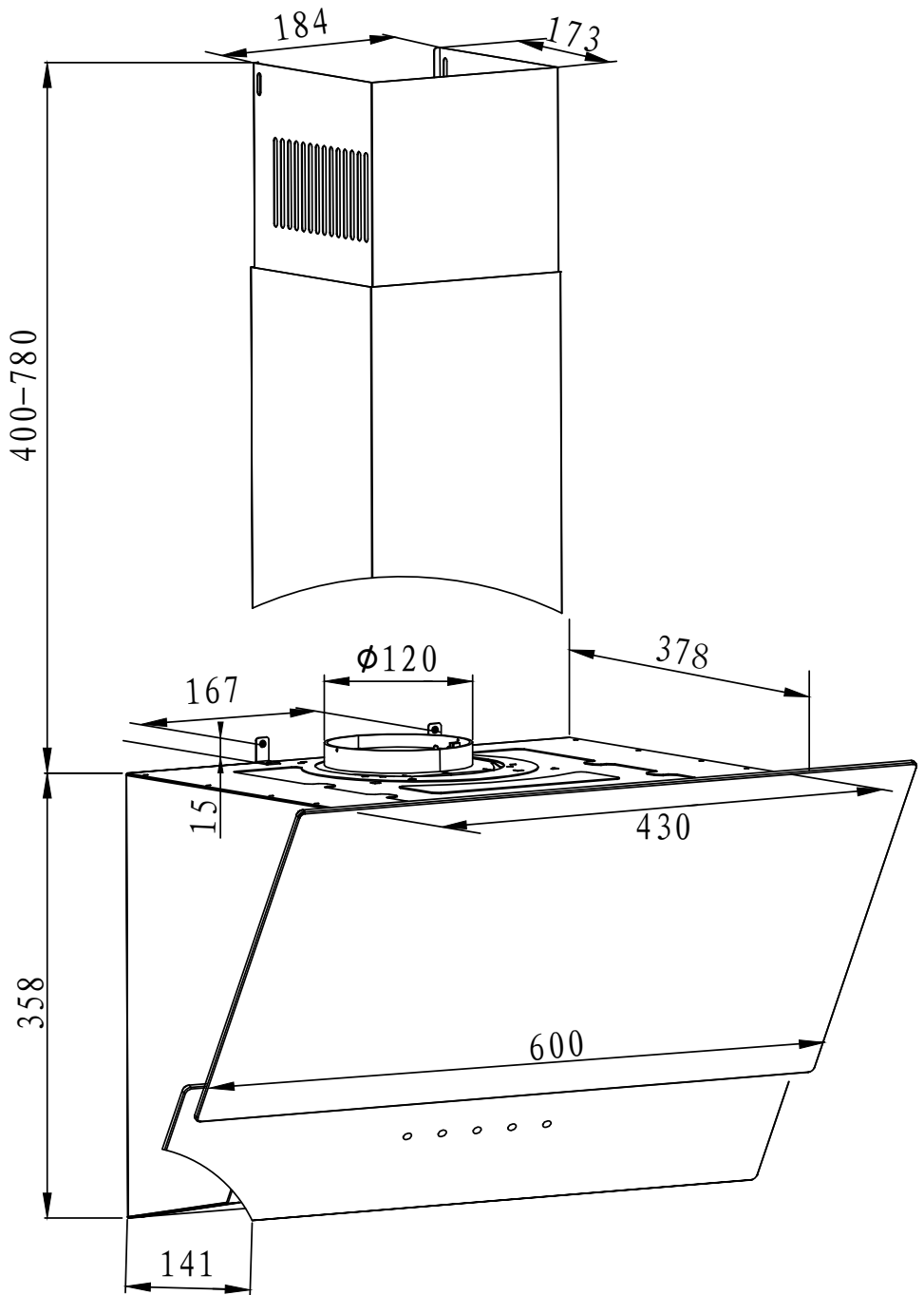
O fabricante do produto recomenda que todos os reparos e as actividades regulatórias sejam efectuadas pelo Serviço do Fabricante ou pelo Serviço Autorizado pelo fabricante. Os reparos devem ser efectuados exclusivamente por pessoas com as respectivas qualificações.

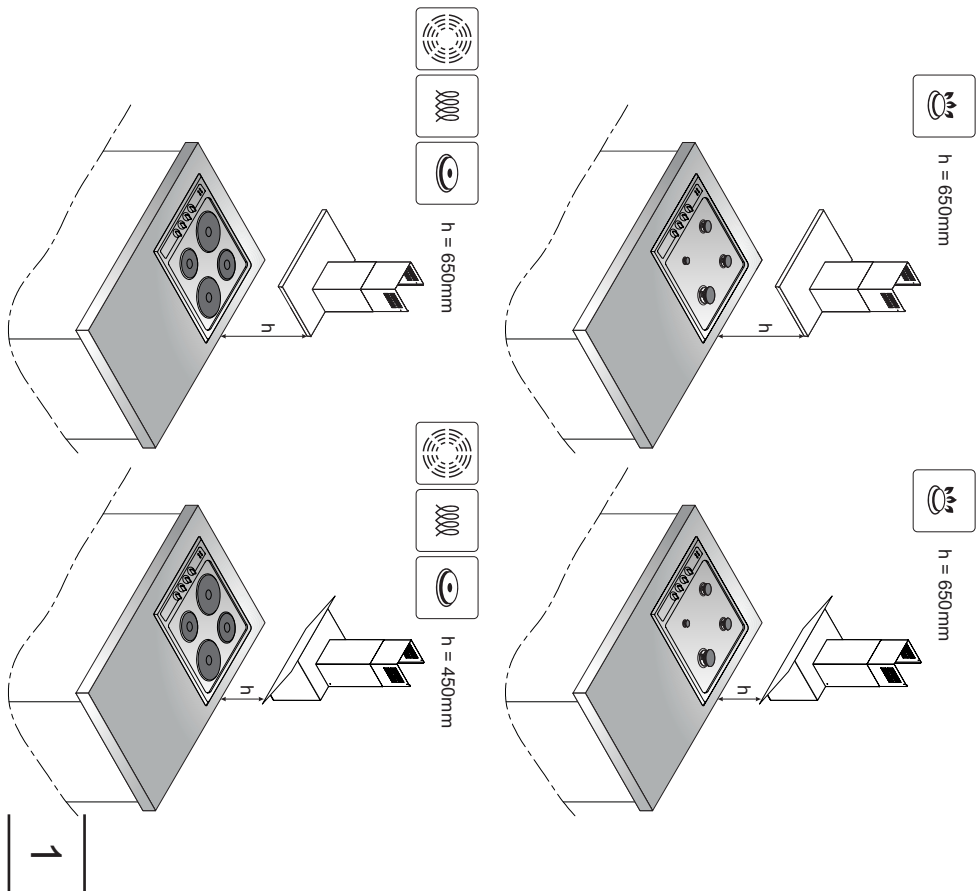
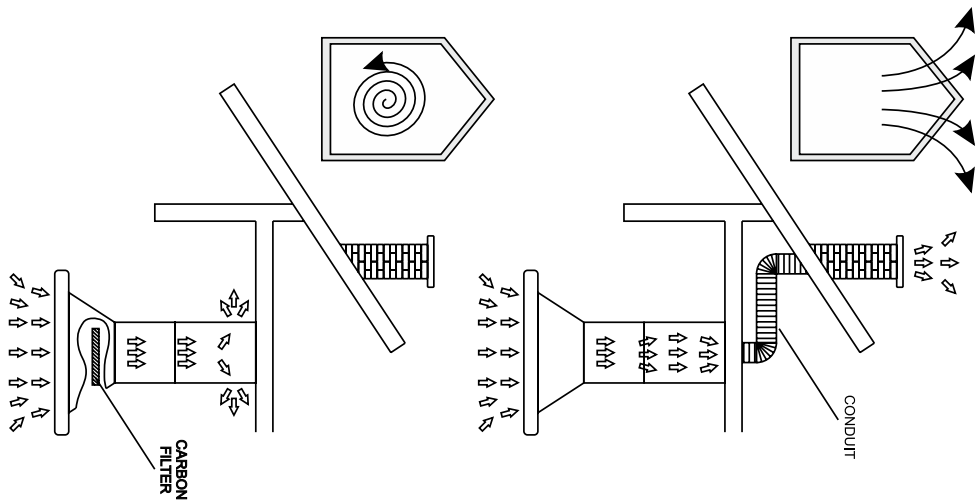
Declaração do fabricante

O fabricante declara pelo seguinte, de que o presente produto preenche os requisitos essenciais das seguintes directivas europeias:

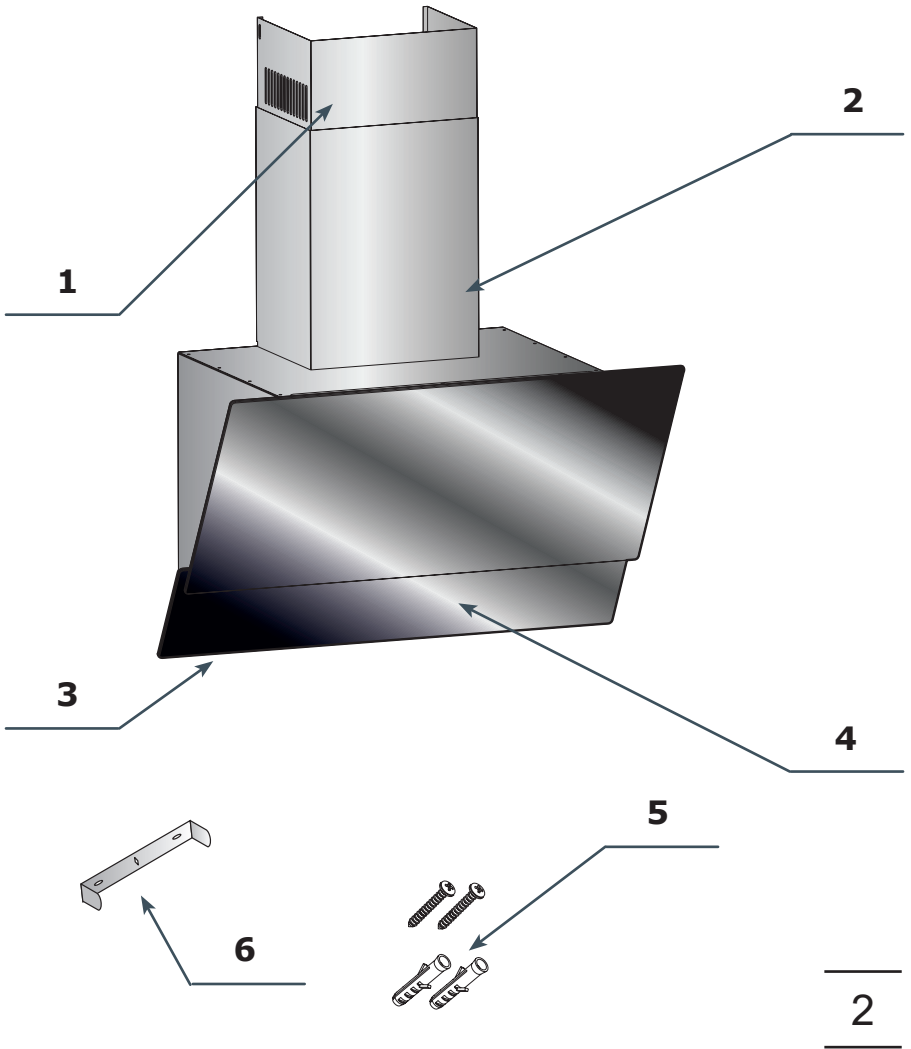
- **directiva de baixa tensão 2014/35/EU**
- **directiva de compatibilidade electromagnética 2014/30/EU**
- **directiva ecodesign 2009/125/UE**
- **directiva RoHS 2011/65/UE**

e por isso o produto foi identificado **CE** bem como foi lhe emitida uma declaração de conformidade partilhada com os órgão de controlo do mercado.

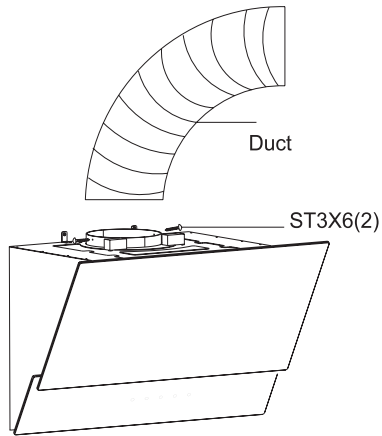




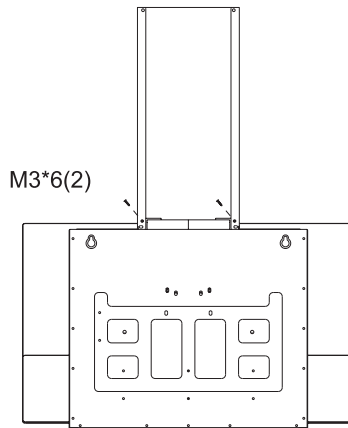
1



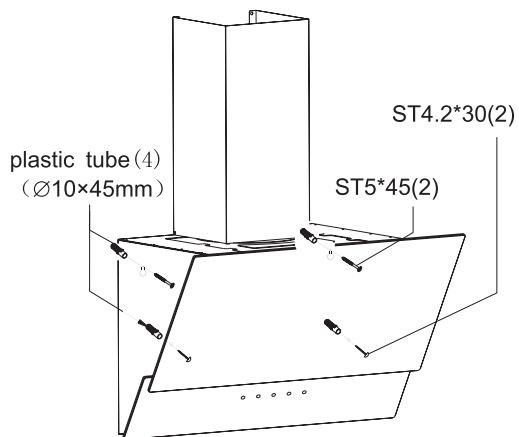
EN	DE	PL	CS	SK	RO	HU	BG	ES	PT
1	Upper chimney cover	Maskownica gorna	Horní krycí lista	Horná krycia lista	Element de mascara superior	Felső díszítő-elem	Горен маскиращ елемент	Panel superior	Chaminé superior
2	Lower chimney cover	Maskownica dolna	Spodní krycí lista	Dolná krycia lista	Element de mascara inferior	Alsó díszítő-elem	Долен маскиращ елемент	Panel inferior	Chaminé inferior
3	Lighting	Beleuchtung	Osvětlení	Osvetlenie	Sistem de iluminare	Világítás	Осветление	Iluminación	Iluminação
4	Control Panel	Panel sterowania	Ovládací panel	Ovládací panel	Panou de comandă	Irányítópanel	Панел за управление	Panel de control	Panel de comando
5	Screws and wall plugs	Wkręty i kołki rozporowe	Vrutky a hmoždinky	Skrutky a kořepne kolky	Sruburi și dibluri	Csavarok és tiplik	Дюбели и винтове	Tomillos y tacos	Parafusos e fixaços de fixação
6	Upper chimney holder	Halterung der oberen Abdeckung	Úchyt horní krycí listy	Držiak hornej krycej listy	Suportul capacului superior	Felső fedél fogantyúja	Държач на горния маскиращ елемент	Mango de panel superior	Fixação da chaminé superior



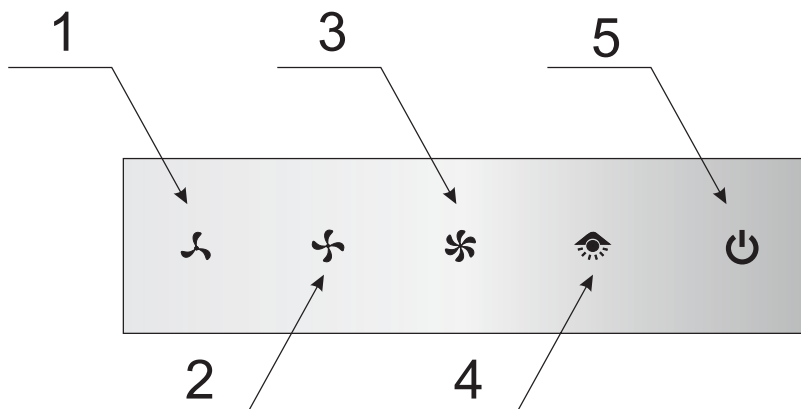
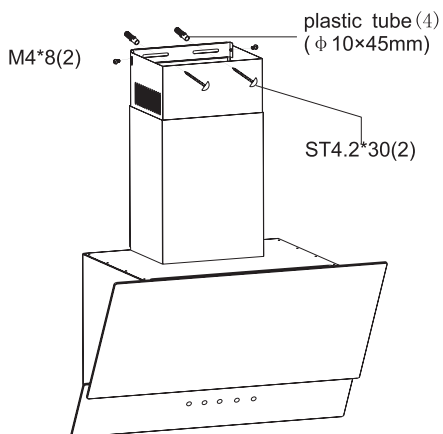
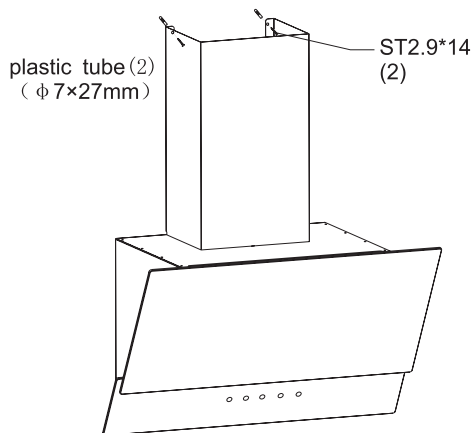
3a

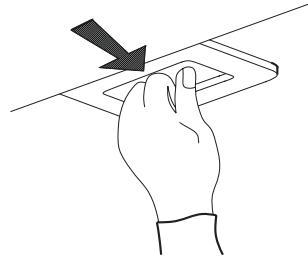
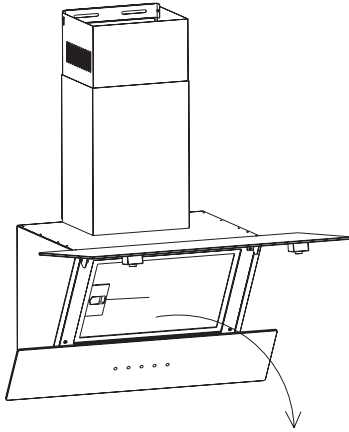


3b

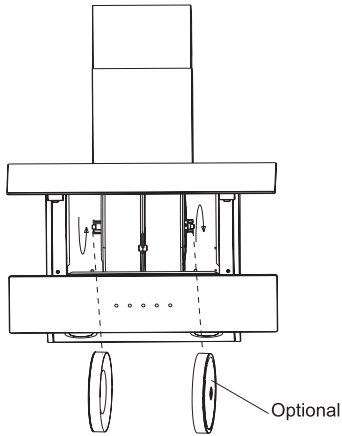


3c





5



6

Amica S.A.
ul . Mickiewicza 52 / 64-510 Wronki
tel. 67 25 46 100 / fax 67 25 40 320
www.amica.pl

Amica International GmbH
Lüdinghauser Str. 52
D-59387 Ascheberg
Tel: 0 25 93 - 95 67-0
www.amica-group.de