

9-10S-00X0

重要度

[B]

A

A

技术要求

- 1. 颜色要求：封面：黑白印刷
内页：黑白印刷；
批量时要求统一，不能有明显色差，
- 2. 版面内容：封二保留空白，
图案与文字应印刷清晰、规范，不能有印刷缺陷；
- 3. 页面印刷：双面印刷；
- 4. 成型方式：胶装；
- 5. 成品尺寸：A5 (140X210)，
尺寸公差按GB/T 1804-c；
- 6. 批量生产前须送样确认。

B

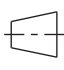

B

C

C

D

D

						封面：105g双铜 内页：70g双胶	广东奥马电器股份有限公司	
借(通)用件登记							说明书	
	标志	处数	更改文件号	签名	日期	重量	比例	
出图审查	设计			会签				
	制图	林宇铄	标准化	刘金利		共 1 张	第 1 张	
日期	审核	何思琴	批准	李梅方		视角符号		CKCD-S01-G
	工艺		日期	2018-08-04		 		

1

2

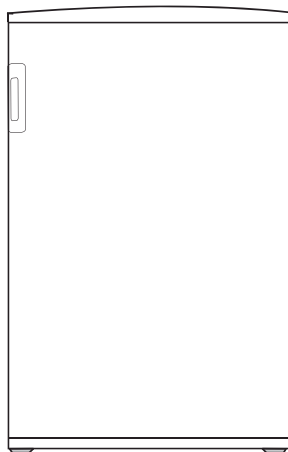
3

4

CANDY

- Ⓜ GB REFRIGERATOR
- Ⓜ PL LODÓWKA
- Ⓜ FR REFRIGERATEUR
- Ⓜ HU Hűtőgép
- Ⓜ CZ Lednička
- Ⓜ UA **холодильник**
- Ⓜ RO FRIGIDER
- Ⓜ SI HLADILNIK
- Ⓜ BG ХЛАДИЛНИК
- Ⓜ SK **Chladnička**
- Ⓜ RU ХОЛОДИЛЬНИК-МОРОЗИЛЬНИК
- Ⓜ KAZ ТОҒАЗЫТҚЫШ

USER'S MANUAL



INSTRUCTION MANUAL

Please read this instruction booklet carefully before using your Candy fridge

Thank you for purchasing this product.

Before using your refrigerator, please carefully read this instruction manual in order to maximize its performance. Store all documentation for subsequent usage or other owners. This product is intended solely for household use or similar applications such as:

- the kitchen area for personnel in shops, offices and other working environments
- on farms, by clientele of hotels, motels and other environments of a residential type
- at bed and breakfasts (B & B)
- For catering services and similar applications not for retail sale.

This appliance must be used only for purposes of storage of food, any other use is considered dangerous and the manufacturer will not be responsible for any omissions. Also, it is recommended that you take note of the warranty conditions.

SAFETY INFORMATION

The refrigerator contains a refrigerant gas (R600a: isobutene) and insulating gas (cyclopentane), with high compatibility with the environment, that are, however, inflammable.

We recommend that you follow the following regulations so as to avoid situations dangerous to you:

Before performing any operation, unplug the power cord from the power socket.

- The refrigeration system positioned behind and inside the appliance contains refrigerant. Therefore, avoid damaging the tubes.**
- If in the refrigeration system a leak is noted, do not touch the wall outlet and do not use open flames. Open the window and let air into the room. Then call a service center to ask for repair.**
- Do not scrape with a knife or sharp object to remove frost or ice that occurs. With these, the refrigerant circuit can be damaged, the spill from which can cause a fire or damage your eyes.**
- Do not install the appliance in humid, oily or dusty places, nor expose it to direct sunlight and to water.**
- Do not install the appliance near heaters or inflammable materials.**
- Do not use extension cords or adapters.**
- Do not excessively pull or fold the power cord or touch the plug with wet hands.**
- Do not damage the plug and/or the power cord; this could cause electrical shocks or fires.**
- It is recommended to keep the plug clean, any excessive dust**

- residues on the plug can be the cause fire.
- Do not use mechanical devices or other equipment to hasten the defrosting process.
 - Absolutely avoid the use of open flame or electrical equipment, such as heaters, steam cleaners, candles, oil lamps and the like in order to speed up the defrosting phase.
 - Do not use or store inflammable sprays, such as spray paint, near the appliance, it could cause an explosion or fire.
 - Do not use electrical appliances inside the food storage compartments, unless they are of the type recommended by the manufacturer.
 - Do not place or store inflammable and highly volatile materials such as ether, petrol, LPG, propane gas, aerosol spray cans, adhesives, pure alcohol, etc. These materials may cause an explosion.
 - Do not store medicine or research materials in the appliance. When the material that requires a strict control of storage temperatures is to be stored, it is possible that it will deteriorate or an uncontrolled reaction may occur that can cause risks.
 - Maintain the ventilation openings in the appliance enclosure or in the built-in structure, free of obstruction.
 - Do not place objects and/or containers filled with water on the top of the appliance.
 - Do not perform repairs on this appliance. All interventions must be performed solely by qualified personnel.
 - This appliance can be used by children aged from 8 years and above and by persons with reduced physical, sensory or mental capabilities or with a lack of experience and knowledge; provided that they have been given adequate supervision or instruction concerning how to use the appliance in a safe way and understand the hazards involved.
 - Children should not play with the appliance. Cleaning and user maintenance should not be made by children without supervision

SCRAPPING OLD APPLIANCE



This appliance is marked according to the European directive 2012/19/EU on Waste Electrical and Electronic Equipment (WEEE).


WEEE contains both polluting substances (which can cause negative consequences for the environment) and basic components (which can be re-used). It is important to have

WEEE subjected to specific treatments, in order to remove and dispose properly all pollutants, and recover and recycle all materials. Individuals can play an important role in ensuring that WEEE does not become an environmental issue; it is essential to follow some basic rules:

- WEEE should not be treated as household waste;
- WEEE should be handed over to the relevant collection points managed by the municipality or by registered companies. In many countries, for large WEEE, home collection could be present.

In many countries, when you buy a new appliance, the old one may be returned to the retailer who has to collect it free of charge on a one-to-one basis, as long as the equipment is of equivalent type and has the same functions as the supplied equipment.

CE Conformity

By placing the  mark on this product, we are confirming compliance to all relevant European safety, health and environmental requirements which are applicable in legislation for this product.

ENERGY SAVINGS

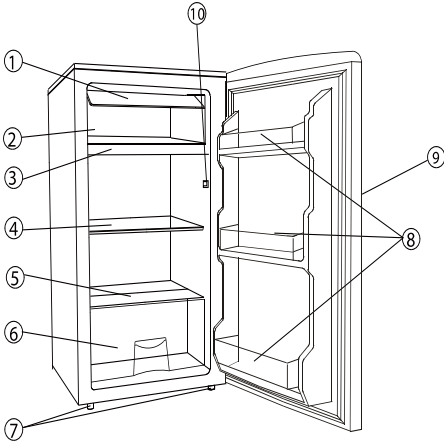
For better energy savings, we suggest:

- **Installing the appliance away from heat sources and not exposed to direct sunlight and in a well ventilated room.**
- **Avoid putting hot food into the refrigerator to avoid increasing the internal temperature and therefore causing continuous functioning of the compressor.**
- **Do not excessively stuff foods so as to ensure proper air circulation.**
- **Defrost the appliance in case there is ice (see DEFROSTING) to facilitate the transfer of cold.**
- **In case of absence of electrical energy, it is advisable to keep the refrigerator door closed.**
- **Open or keep the doors of the appliance open as little as possible**
- **Avoid adjusting the thermostat to temperatures too cold.**
- **Remove dust present on the rear of the appliance (see CLEANING).**

- **Total no frost Audy (with display on door): remove all the baskets in freezer compartment;**
- **Total no frost (with internal user interface for fridge and knob for freezer): remove other baskets in freezer compartment but keep bottom drawer in its position .**
- **Frost free model: remove other baskets in freezer compartment but keep bottom drawer in its position.**
- **All normal static models: remove all drawers in freezer compartment .**

1.Name of parts

PARTS AND FEATURES



- ① Negative temperature compartment door
- ② Negative temperature compartment
- ③ Drip Tray
- ④ Shelves of refrigerator chamber
- ⑤ Glass cover
- ⑥ Crisper box
- ⑦ Leveling Legs
- ⑧ Door Balconies
- ⑨ Handle
- ⑩ Door switch

2. Correctly positioning

Well Ventilating

There is need of good ventilation around the refrigerator for easy dissipation of heat, high efficiency of refrigeration and low power consumption. For this purpose, sufficient clear space should be need around the refrigerator. Its back is at least 100mm away from the wall, its sides at least have a space of 100mm separately and the height from over its top is not less than 200mm. A clear space should be left to open its doors to 160°

Power Supply

The refrigerator is only applied with power supply of single phase alternating current of (220-240)V~/50Hz;230V~/60Hz.If fluctuation of voltage in the district user is of so large that the voltage exceeds the above scope, for safety sake, be sure to apply a.c. automatic voltage regulator to the refrigerator. The refrigerator must employ a special power socket instead of common one with other electric appliances. Its plug must match the socket with ground wire.

Power Line Cord

The cord should be neither lengthened nor folded into coil during operation. Moreover, it is forbidden that cord is kept close onto the compressor at the back of the refrigerator, the surface temperature of which is quite high when operating. Touching with it would deactivate the insulation or cause leakage for electricity.

Protection from Moisture

Avoiding placing the refrigerator in a place where heavy moisture is present so as to minimize possibility of rusty for its metal parts. Still more, the refrigerator is forbidden to be directly sprayed by water, otherwise, poor insulation and current leakage would occur.

Protection from Heat

The refrigerator should be far away from any heat source or direct sunshine.

Fixing Stable

Floor on which refrigerator will be placed must be flat and solid. It should not be laid on any soft material such as foam plastic, etc. If the refrigerator is not on the same level, adjust the screws suitably. The refrigerator should not be placed near anything which may echo.

Keep Away from Danger

It is inadvisable that the refrigerator is placed near any volatilizable or combustible such as gas, petrol, alcohol, lacquer and banana oil, etc. The above-mentioned objects can not be stored in the refrigerator.

Moving

When fixed or moved, the refrigerator can not be set horizontally or declined to more than 45° or upside-down

3.Cautions

- ★ Water contained in food or getting into air inside the refrigerator by opening doors may form a layer of frost inside, It will weaken the refrigerator when the frost is thick, while it is more than 2mm thick, you should defrost.
- ★ Defrosting in freezer chamber is operated manually. Before defrosting, take the food, the ice tray and the shelf out into the cold storing chamber temporarily then set the knob of the temperature regulator to position "0"(where the compressor will stop working) and leave the door open until ice and frost dissolve thoroughly deposited at the bottom of the freezer chamber, wipe off the water with soft cloth.,In the case of speeding up the defrosting, you may put a bowl of warm water (about 50°C)into the freezer chamber, and be sure to set the knob of the temperature regulator to original position after defrosting.

- ★ It's inadvisable to heat the freezer chamber directly with hot water or hair dryer while defrosting to prevent deformation of the inner case.
- ★ It's also inadvisable to scrape of ice and frost or separate food from the containers which have been congealed together with the food with sharp tool or wooden bars, so as not to damage the inner casing or the surface of the evaporator.
- ★ If the supply cord of this appliance is damaged, it must only be replaced by a repair shop appointed by the manufacturer, because special purpose tools are required.

4.Changing the reversible door

This refrigerator has been built with the door hinges on the right. If you wish to change the opening direction, follow the instructions below:

1. Remove the small plastic cover (7) and the screws (6) which fix the worktop to disassembly the worktop.
2. Remove the two screws (1) that hold the upper hinge (5) (right side) to the frame. Take away the upper hinge (5).
- 3.Lift the door and place it on a padded surface to prevent scratching it.
4. Remove the two screws(8) that hold the lower hinge(2) and Make sure to Remove the lower hinge(2).
5. Remove the left front leg (4) and transfer it to the right side.
6. Before placing this lower hinge(2), remove the bolt-pin (9) and reverse the direction of the lower hinge(2). Then install the lower hinge (2) onto the left side of the lower frame with two screws (8).
7. Insert the bolt-pin(9) to the lower hinge (2).
8. Set the door to its place making sure the door seat at the lower hinge(2)
- 9..While holding the door in the closed position secure the upper hinge (5) in the top frame of left side with two screws (1). Please remember that do not tighten the two screws(1) until the top of the door is levelled with the counter top.
10. Install the worktop onto the top of the cabinet with screws(6) and cover the small plastic cover(7)
11. Remove the door handle (10) from the left side to the right side.

4. Changing the reversible door

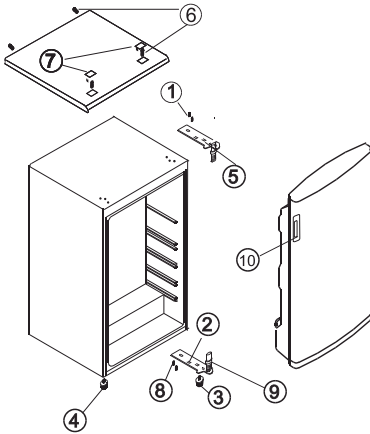


FIGURE 1

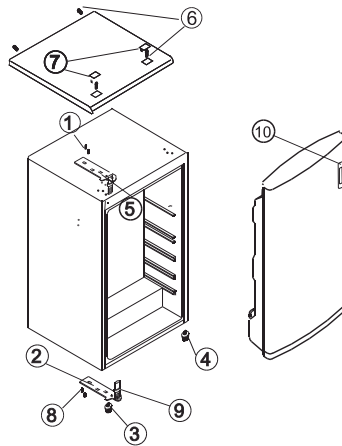


FIGURE 2

FIGURE 1 - REPRESENTS POSITION OF COMPONENTS PRIOR TO DOOR REVERSAL.

FIGURE 2 - REPRESENTS POSITION OF COMPONENTS AFTER DOOR REVERSAL.

5. Troubleshooting

1. When the refrigerator does not work
 - Check if there is a power failure.
 - Check if the power plug is plugged into the power outlet.
 - Check that the fuse has not blown.
2. When the refrigerator is cooling excessively
 - The temperature control dial may be set too high.
 - If you place foodstuffs containing a lot of moisture directly under the cool air outlets, they will freeze easily. This does not indicate a malfunction.
3. When the refrigerator is not cooling sufficiently
 - The food may be packed too tightly together which will block the flow of cool air. You may have put something hot or a lot of foodstuffs into the refrigerator .
 - The door may not have been closed properly.
 - The door gaskets may be damaged.
 - The refrigerator may not be ventilated.
 - There may be insufficient clearance between the refrigerator and the surfaces immediately both sides and above.
 - The temperature control dial may not be set properly.
4. When the defrosting water overflows inside the refrigerator and onto the floor.
 - Check that the drain pipe and the drain hose are not clogged.
 - Check that the drain pan is housed properly.
5. When condensation form on the outside of the refrigerator.
 - Condensation may form on the outside when the humidity is high such as during a wet season. This is the same result as the condensation formed when chilled water is poured into a glass. It does not, therefore, indicate a failure, wipe dry with a dry cloth.
6. When you hear a sound like water flowing .
 - A sound like water flowing is the refrigerant flowing. It does not Indicate a malfunction.
7. When the cabinet's side panel heats up
 - The side panel of the cabinet will heat up when the door is opened or closed frequently, when starting the unit and when the unit operates in summer with high ambient outside temperature, In such case, do not touch the panel, it results from the dissipation of the heat from inside the cabinet, and it does not mean that something is wrong with the refrigerator.

6. Technical specifications

*For the detailed technical specifications, please refer to the nameplate at the back of the refrigerator..

*Specifications are subject to change without prior notice.

Dziękujemy za zakup tego produktu.

Przed użyciem swojej lodówki zapoznaj się uważnie z niniejszą instrukcją obsługi, aby zapewnić jej jak najlepsze działanie. Zachowaj całą dokumentację w razie potrzeby użycia jej w przyszłości lub dla kolejnych właścicieli. Produkt ten przeznaczony jest wyłącznie do użytku domowego lub podobnych zastosowań, na przykład:

- w strefie kuchennej dla personelu w sklepach, biurach oraz innych środowiskach roboczych;
- w gospodarstwach rolnych, hotelach, motelach oraz innych środowiskach typu mieszkalnego;
- w pensjonatach typu B&B;
- w ramach usług cateringowych i podobnych zastosowań niezwiązanych ze sprzedażą detaliczną.

Urządzenia tego należy używać wyłącznie do przechowywania żywności. Wszelkie inne zastosowania uważane są za niebezpieczne i producent nie będzie ponosił odpowiedzialności za jakiegokolwiek zaniedbania. Należy również mieć na uwadze warunki gwarancji.

INFORMACJE DOTYCZĄCE BEZPIECZEŃSTWA

Lodówka zawiera czynnik chłodniczy (R600a: izobutylen) i gaz izolacyjny (cyklopentan) o wysokiej kompatybilności ze środowiskiem, które jednak są łatwopalne.

Zalecamy przestrzeganie poniższych zaleceń, aby uniknąć sytuacji niebezpiecznych:

Przed wykonaniem jakiegokolwiek czynności odłącz kabel zasilający od gniazdka zasilającego.

- Układ chłodniczy, znajdujący się za i wewnątrz urządzenia, zawiera czynnik chłodniczy. Należy więc uważać, aby nie uszkodzić przewodów.
- W razie zauważenia wycieku z układu chłodniczego nie należy dotykać gniazdka ściennego ani używać otwartych płomieni. Otwórz okno i poczekaj aż powietrze wydostanie się z pomieszczenia. Następnie wezwij serwisanta w celu naprawienia urządzenia.
- Nie próbuj usuwać nożem ani żadnym ostrym przedmiotem powstałego w urządzeniu szronu lub lodu. W taki sposób można uszkodzić obwód czynnika chłodniczego, a wyciek może doprowadzić do pożaru lub uszkodzenia oczu.
- Nie instaluj urządzenia w wilgotnych, oleistych lub zakurzonych pomieszczeniach ani nie narażaj go na bezpośrednie promienie słoneczne lub wodę.
- Nie instaluj urządzenia w pobliżu grzejników lub materiałów łatwopalnych.
- Nie używaj przedłużaczy lub adapterów.
- Nie dociskaj nadmiernie ani nie zginaj przewodu zasilającego i nie dotykaj wtyczki mokrymi dłońmi.
- Nie dopuść do uszkodzenia wtyczki i/lub przewodu zasilającego; może to doprowadzić do porażenia prądem lub pożaru.
- Zaleca się utrzymywać wtyczkę w czystości. Wszelkie nadmierne pozostałości kurzu na wtyczce mogą spowodować pożar.

- Nie używaj urządzeń mechanicznych ani innego sprzętu do przyspieszania procesu rozmrażania.
- Absolutnie unikaj stosowania otwartego ognia lub sprzętu elektrycznego, na przykład grzejników, czyszczarek parowych, świec, lamp olejowych i tym podobnych w celu przyspieszenia etapu rozmrażania.
- Nie używaj ani nie przechowuj łatwopalnych sprejów, jak farba w aerozolu, w pobliżu urządzenia. Może to doprowadzić do eksplozji lub pożaru.
- Nie używaj urządzeń elektrycznych wewnątrz komór do przechowywania żywności, o ile nie są to urządzenia zalecane przez producenta.
- Nie umieszczaj w urządzeniu ani nie przechowuj w nim łatwopalnych i wysoce lotnych materiałów, jak eter, benzyna, LPG, gaz propanowy, puszki aerozolowe, kleje, czysty alkohol itp. Materiały takie mogą doprowadzić do eksplozji.
- Nie przechowuj w urządzeniu materiałów medycznych lub badawczych. Gdy wymagane jest przechowanie materiału wymagającego ścisłej kontroli temperatur przechowywania, możliwe jest pogorszenie się jego stanu lub może mieć miejsce niekontrolowana reakcja, która powoduje zagrożenia.
- Nie zasłaniaj otworów wentylacyjnych w obudowie urządzenia lub w szafce, w której je zabudowano.
- Nie umieszczaj na górnej części urządzenia przedmiotów i/lub pojemników wypełnionych wodą.
- Nie wykonuj napraw w tym urządzeniu. Wszelkie czynności powinny być wykonywane wyłącznie przez wykwalifikowany personel.
- Urządzenie to może być obsługiwane przez dzieci powyżej 8 roku życia oraz osoby o ograniczonej zdolności fizycznej, czuciowej lub psychicznej bądź nieposiadające doświadczenia i wiedzy, jeśli są one pod odpowiednim nadzorem lub poinstruowano je w zakresie bezpiecznej obsługi urządzenia i zrozumiąły one ewentualne zagrożenia.
- Nie należy zezwalać dzieciom na zabawę z urządzeniem. Czyszczenie i konserwacja urządzenia nie powinny być przeprowadzane przez dzieci bez nadzoru.

USUWANIE STAREGO URZĄDZENIA




Urządzenie to posiada oznaczenie zgodne z dyrektywą europejską 2012/19/UE w sprawie zużytego sprzętu elektrycznego i elektronicznego (WEEE). WEEE zawiera zarówno substancje zanieczyszczające (które mogą powodować negatywne skutki dla środowiska), jak i podstawowe komponenty (które mogą zostać ponownie użyte). Ważne jest poddawanie WEEE specyficznej obróbce, aby usunąć i prawidłowo utylizować wszelkie elementy zanieczyszczające, a także odzyskiwać i poddawać recyklingowi wszelkie możliwe materiały. Osoby fizyczne mogą odgrywać ważną rolę w zapewnianiu, że WEEE nie stanie się problemem dla środowiska; ważne jest przestrzeganie kilku podstawowych zasad:

- WEEE nie powinien być traktowany tak samo jak inne odpady domowe;
- WEEE powinien być przekazywany do właściwych punktów zbiórki odpadów obsługiwanych przez gminę lub zarejestrowane przedsiębiorstwa. W wielu krajach w przypadku dużych WEEE może być przewidziany odbiór bezpośrednio z posesji.

W wielu krajach, kiedy kupuje się nowe urządzenie, stare urządzenie można zwrócić sprzedawcy, który odbierze je za darmo na zasadzie „urządzenie za urządzenie”, pod warunkiem, że urządzenie jest odpowiedniego typu i posiada te same funkcje co nowy dostarczony sprzęt.

Zgodność CE

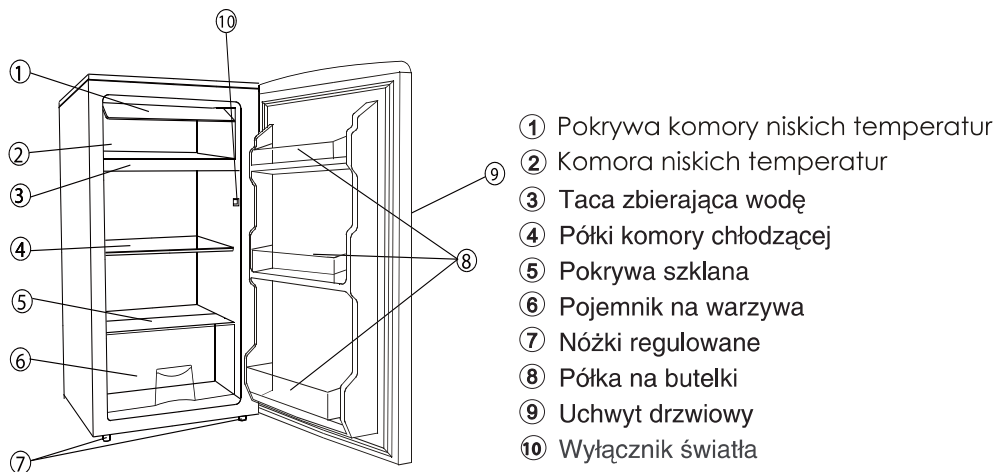


Poprzez umieszczenie oznaczenia  na tym produkcie potwierdzamy, że urządzenie to jest zgodne z wszelkimi dotyczącymi tego produktu obowiązującymi prawnie wymogami europejskimi w zakresie bezpieczeństwa, zdrowia i środowiska.

OSZCZĘDNOŚĆ ENERGII

- Aby zapewnić wyższą oszczędność energii, sugerujemy:
- zainstalować urządzenie z dala od źródeł ciepła i nie wystawiać go na bezpośrednie działanie promieni słonecznych, w dobrze wentylowanym pomieszczeniu;
- unikać umieszczania w chłodzarnie gorącej żywności, aby zapobiec wzrostowi temperatury zewnętrznej, a tym samym powodowaniu ciągłego działania sprężarki;
- nie wkładać nadmiernej ilości żywności, aby zapewnić prawidłową cyrkulację;
- rozmrozić urządzenie w razie pojawienia się w niej lodu (patrz ROZMRAŻANIE) w celu ułatwienia przenikania zimna;
- w razie braku energii elektrycznej zaleca się pozostawić drzwi lodówki zamknięte;
- jak najrzadziej otwierać drzwi urządzenia i jak najkrócej pozostawiać je otwarte;
- unikać ustawiania termostatu na zbyt niskie temperatury;
- usuwać kurz z tylnej części urządzenia (patrz CZYSZCZENIE).
- Urządzenie typu Total no frost Audy (z wyświetlaczem na drzwiczkach): wyjmij wszystkie kosze znajdujące się w komorze zamrażarki;
- Urządzenie typu Total no frost (z wewnętrznym interfejsem użytkownika dla chłodziarki i pokrętelem dla zamrażarki): wyjmij pozostałe kosze znajdujące się w komorze zamrażarki, ale dołną szufladę pozostaw na miejscu.
- Model w wersji Frost free: wyjmij pozostałe kosze znajdujące się w komorze zamrażarki, ale dołną szufladę pozostaw na miejscu.
- Wszystkie modele standardowe: wyjmij wszystkie szuflady znajdujące się w komorze zamrażarki.

CZĘŚCI I WŁAŚCIWOŚĆ



2. Poprawne umieszczenie urządzenia

Właściwa wentylacja

Konieczna jest dobra wentylacja wokół lodówki, aby zwiększyć wydajność chłodzenia i obniżyć zużycie energii. Lodówka powinna zostać umieszczona w taki sposób, aby jej tylna część znajdowała się przynajmniej w odległości 100mm od ściany, po bokach zapewnić przestrzeń około 100mm, natomiast w górnej części należy zapewnić przestrzeń nie mniejszą niż 200mm. Należy również zapewnić swobodne otwieranie się drzwi na szerokość 160 stopni.

Źródło zasilania

Lodówka została przystosowana do zasilania jednofazowym prądem zmiennym o napięciu (220-240)V~/50Hz;230V~/60Hz. Jeśli wahania napięcia będą tak duże, że napięcie przekroczy ustalony powyżej zakres, należy zainstalować automatyczny regulator napięcia. Lodówka musi być podłączona do osobnego gniazdka, nie razem z innymi urządzeniami elektrycznymi. Wtyczka lodówki powinna pasować do gniazdka w ścianie i posiadać uziemienie.

Przewód zasilający

Podczas pracy urządzenia, przewód zasilający nie powinien być zwijany ani przedłużany. Ponadto niedozwolone jest, by przewód był umieszczany zbyt blisko tylnej części lodówki, gdyż temperatura umieszczonego tam kompresora jest duża i może być przyczyną zniszczenia przewodu. Zniszczeniu może ulec izolacja przewodu, co z kolei może być przyczyną przebiegów elektrycznych.

Ochrona przed wilgocią

Należy unikać umieszczania lodówki w miejscach występowania dużej wilgoci, aby zminimalizować możliwość zardzewienia metalowych części lodówki. Ponadto, należy unikać bezpośredniego kontaktu lodówki z wodą, gdyż może to być przyczyną osłabienia izolacji i wystąpienia przebiegów elektrycznych.

Ochrona przed przegrzewaniem się

Lodówka powinna znajdować się z dala od źródeł ciepła i nie powinna być wystawiana na bezpośrednie działanie promieni słonecznych.

Zapewnienie stabilności

Podłoże, na którym jest umieszczana lodówka, powinno być płaskie i stabilne. Nie należy umieszczać urządzenia na miękkim podłożu, takim jak gąbka plastikowa, i tym podobne. Lodówka nie powinna być umieszczana w pobliżu materiałów i przedmiotów odbijających dźwięk.

Unikać niebezpiecznych materiałów

Nie należy umieszczać lodówki w pobliżu materiałów łatwopalnych, takich jak gaz, benzyna, alkohol, lakier, octan amylu, etc. Wymienione powyżej materiały nie mogą być również przechowywane w lodówce.

Przesuwanie

Podczas przesuwania lub naprawiania lodówki, nie wolno ustawiać jej w pozycji poziomej, lub przechylać o więcej niż 45 stopni od pozycji pionowej.

3. Uwagi

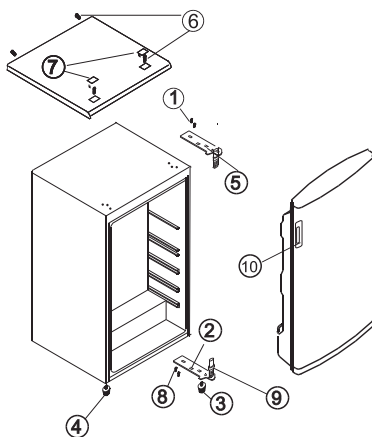
- ★ Woda zawarta w żywności lub przedostająca się do powietrza wewnątrz lodówki, może być przyczyną powstawania warstwy lodu i szronu. Gdy warstwa lodu stanie się gruba, może być przyczyną zmniejszenia sprawności działania urządzenia. Gdy warstwa lodu osiągnie grubość 2mm lub więcej, należy lodówkę rozmrozić.
- ★ Rozmrażanie komory zamrażalnika lodówki przeprowadza się ręcznie. Przed rozpoczęciem rozmrażania, należy wyjąć z lodówki żywność, tace na lód oraz półki i umieścić je w chłodnym miejscu. Pokrętko regulatora temperatury ustawić na wartość „0” (kompresor przestanie pracować). Drzwi lodówki pozostawić otwarte, dopóki lód i szron osadzony na ścianach lodówki rozmrozi się. Wodę powstałą podczas rozmrażania w dolnej części lodówki, należy wytrzeć miękką szmatką. Aby przyspieszyć proces rozmrażania, można w dolnej części lodówki umieścić miskę z ciepłą wodą (temp. około 50°C). Po zakończeniu rozmrażania należy ustawić temperaturę na poprzednią wartość.
- ★ Podczas rozmrażania nie należy podgrzewać zamrażalnika bezpośrednio gorącą wodą lub suszarką do włosów. Może to spowodować deformację wewnętrznej obudowy lodówki pod wpływem ciepła.
- ★ Nie należy zeskrobywać lodu ani szronu ze ścianek zamrażalnika, ani nie próbować oddzielać żywności od pojemników, w których jest przechowywana za pomocą ostrych lub drewnianych narzędzi, aby nie zniszczyć wewnętrznej powierzchni obudowy parownika.
- ★ W przypadku, gdy uszkodzeniu ulegnie przewód zasilający, należy go wymienić. Wymianę przewodu należy powierzyć warsztatowi wyznaczonemu przez sprzedawcę, ponieważ czynność ta wymaga użycia specjalistycznych narzędzi.

4. Zmiana kierunku otwierania drzwi

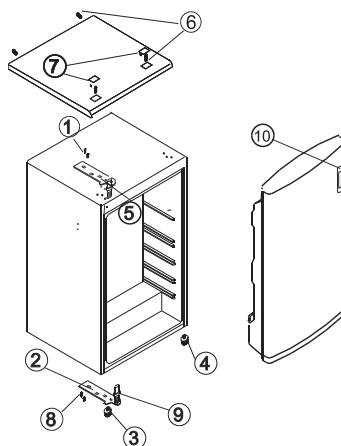
Lodówka została zaopatrzona w zawiasy drzwiowe znajdujące się po prawej stronie. Jeśli istnieje potrzeba zmiany kierunku otwierania drzwi, należy postępować zgodnie z poniższymi wskazówkami:

1. Zdjąć osłonę zawiasu (6).
2. Odkręcić dwie śruby (1) przytrzymujące górny zawias (5) (prawa strona) do framugi drzwi. Zdjąć górny zawias (5).
3. Podnieść drzwi i umieścić je na miękkim podłożu, zabezpieczającym przed przypadkowym zarysowaniem.
4. Odkręcić dwie śruby (8) przytrzymujące dolny zawias (2), a następnie zdjąć dolny zawias (2).
5. Wyjąć przednią lewą nóżkę (4) i zamontować ją po prawej stronie.
6. Zamontować osłonę otworu (7) na stronę prawą lodówki.
7. Przed instalacją dolnego zawiasu (2), wyjąć sworzeń (9) i zmienić kierunek montowania dolnego zawiasu (2). Zamontować dolny zawias (2) po lewej stronie dolnej części framugi za pomocą dwóch śrub (8).
8. Włożyć sworzeń (9) do dolnego zawiasu (2).
9. Umieścić drzwi we właściwym położeniu, upewnić się, czy drzwi wiszą na dolnym zawiasie (2).
10. Przytrzymując drzwi w pozycji zamkniętej, umocować górny zawias (5) w górnej części framugi po lewej stronie za pomocą dwóch śrub (1). Nie dociskać śrub mocujących (1), dopóki górna część drzwi nie zostanie wyrównana z górną częścią obudowy lodówki.
11. Zainstalować osłonę górnego zawiasu (6).

4. Zmiana kierunku otwierania drzwi



RYSUNEK 1



RYSUNEK 2

RYSUNEK 1 – SCHEMAT UMIESZCZENIA POSZCZEGÓLNYCH CZĘŚCI PRZED ZMIANĄ KIERUNKU OTWIERANIA DRZWI

RYSUNEK 2 – SCHEMAT UMIESZCZENIA POSZCZEGÓLNYCH CZĘŚCI PO ZMIANIE KIERUNKU OTWIERANIA DRZWI

5. Konserwacja

- ★ Lodówka powinna być myta i konserwowana raz na miesiąc.
- ★ Przed rozpoczęciem konserwacji, należy wyłączyć zasilanie wyciągając wtyczkę z gniazdka zasilającego.
- ★ Wytrzeć wewnętrzne i zewnętrzne powierzchnie lodówki oraz jej poszczególne części za pomocą wilgotnej szmatki. Jeśli są zbyt brudne, należy użyć neutralnego środka chemicznego, a następnie umyć wodą i wytrzeć do sucha. Następnie zaleca się wytrzeć do połysku powierzchnię lodówki fanelową szmatką.
- ★ W przypadku mycia lodówki nie używać gorącej wody, rozcieńczaczy, benzyny, alkoholu, nafty, proszku do prania, płynów do czyszczenia, środków alkaicznych, kwasów, itp. Wszystkie wymienione powyżej substancje mogą zniszczyć warstwę lakieru oraz części plastikowe lodówki. Nie wolno narażać lodówki na bezpośredni kontakt z wodą. Może to być przyczyną rdzewienia lub niszczenia izolacji lodówki.
- ★ Należy szczególnie dbać o gumowe uszczelki zamontowane na drzwiach lodówki. Powinny być zawsze czyszczone.
- ★ Jeśli części plastikowe lodówki zostaną zanieczyszczone przez dłuższy okres czasu olejem (pochodzenia zwierzęcego lub roślinnego), mogą szybciej ulec zniszczeniu. Wewnętrzne pojemniki lodówki łatwo ulegają zabrudzeniu, jeśli nie są często myte, ponadto może to być przyczyna powstawania nieprzyjemnego zapachu we wnętrzu urządzenia. Należy dopilnować częstego ich mycia.

6. Rozwiązywanie problemów

1. Jeśli lodówka nie działa:
 - Sprawdzić, czy nie ma przerwy w dostawie energii.
 - Sprawdzić, czy przewód zasilający jest podłączony do gniazdka.
 - Sprawdzić, czy bezpieczniki są sprawne.
2. Jeśli lodówka nadmiernie mrozi:
 - Pokrętko regulatora temperatury może być ustawione na zbyt dużą wartość.
 - Jeśli produkty żywnościowe zawierające dużo wilgoci zostaną umieszczone bezpośrednio pod wylotami zimnego powietrza, ulegną szybkiemu zamrożeniu. Nie jest to wynikiem złego funkcjonowanie urządzenia.

3. Jeśli lodówka nie chłodzi w sposób wystarczający:
Żywność umieszczona w lodówce może być ułożona zbyt blisko siebie, co z kolei może być przyczyną złego przepływu chłodzącego powietrza we wnętrzu urządzenia.
W lodówce zostało umieszczona gorąca żywność lub lodówka jest przeładowana.
Drzwi lodówki są niedomknięte.
Uszczelki drzwiowe są zniszczone.
Lodówka nie jest wentylowana.
Nie został zapewniony odpowiedni prześwit pomiędzy powierzchniami lodówki a sąsiadującymi z nią powierzchniami.
Pokrętko regulatora temperatury nie jest we właściwej pozycji.
4. Jeśli woda powstała w wyniku rozmrażania przelewa się z lodówki na podłogę:
Sprawdzić, czy rurka odprowadzająca wodę oraz wąż odprowadzający wodę nie są zatkane
Sprawdzić, czy zbiornik odprowadzający wodę jest właściwie zamontowany.
5. Jeśli para wodna skrapla się na zewnątrz lodówki:
Para wodna może skraplać się na zewnątrz lodówki, jeśli wilgotność powietrza jest bardzo duża, np. w porze deszczowej (podczas deszczu). Jest to ten sam efekt, gdy podczas wlewania zimnej wody do szklanki woda skrapla się na zewnętrznych ściankach szklanki. Nie jest to wynikiem niepoprawnego funkcjonowania urządzenia. Należy te miejsca wycierać do sucha szmatką.
6. Gdy słyszalny jest odgłos przypominający przepływającą wodę:
Odgłos ten towarzyszy przepływowi środka chłodzącego systemie chłodzenia. Nie jest to oznaką awarii urządzenia.
7. Jeśli obudowa lodówki nagrzeje się zbyttnio:
Boczna obudowa lodówki nagrzewa się, gdy drzwi lodówki są otwierane i zamykane zbyt często, podczas uruchamiania urządzenia oraz, gdy lodówka pracuje w wysokiej temperaturze otoczenia (na przykład w lecie). Jest to wynikiem przekazywania ciepła do wnętrza obudowy i nie oznacza, że lodówka pracuje niepoprawnie.

7. Specyfikacje techniczne

*Szczegółowe specyfikacje techniczne umieszczone są na tabliczce znamionowej w tylnej części lodówki.

*Specyfikacja techniczne mogą być przedmiotem zmian bez uprzedniego powiadomienia.

Nous vous remercions d'avoir acheté ce produit.

Avant d'utiliser votre réfrigérateur, veuillez lire attentivement ces instructions d'utilisation afin de maximiser ses performances. Conservez cette documentation pour pouvoir vous y référer ultérieurement et pour les éventuels futurs propriétaires. Ce produit est destiné uniquement à un usage domestique ou autres usages similaires tels que :

- l'espace cuisine réservé au personnel dans un magasin, des bureaux ou autres lieux de travail,
- dans les fermes-auberges, pour la clientèle des hôtels, motels et autres lieux de type résidentiel,
- dans les chambres d'hôtes.
- Chez les traiteurs et autres services similaires, ce produit ne convient pas à la vente au détail.

Cet appareil doit être utilisé uniquement pour conserver de la nourriture ; tout autre usage est considéré comme dangereux et le fabricant ne sera pas tenu responsable en cas de mauvaise utilisation. Il est donc recommandé de prendre connaissance des conditions de garantie.

INFORMATIONS DE SÉCURITÉ

Le réfrigérateur contient des gaz réfrigérants (R600a : isobutène) et des gaz isolants (cyclopentane), respectueux de l'environnement mais qui sont toutefois inflammables.

Nous vous recommandons de suivre les instructions ci-dessous de manière à éviter toute situation dangereuse :

Avant toute intervention, débranchez le cordon d'alimentation de la prise murale.

- **Le système de réfrigération positionné derrière et dans l'appareil contient le réfrigérant. De ce fait, il est conseillé d'éviter d'endommager les tuyaux.**
- **Si une fuite est détectée dans le système de réfrigération, ne touchez pas la prise murale et n'utilisez pas de flammes nues. Ouvrez la fenêtre et aérez la pièce. Appelez ensuite le Centre de service pour demander une réparation.**
- **Ne grattez pas avec un couteau ou un autre objet pointu pour enlever le givre ou la glace qui se forme. Vous pourriez endommager le circuit réfrigérant. Toute fuite de liquide réfrigérant pourrait provoquer un incendie ou vous blesser au niveau des yeux.**
- **N'installez pas l'appareil dans un endroit humide, gras ou poussiéreux et ne l'exposez pas à la lumière directe du soleil ni à l'eau.**
- **N'installez pas l'appareil à proximité de sources de chaleur ou de matériaux inflammables.**
- **N'utilisez pas de rallonges ou d'adaptateurs.**
- **Ne tirez pas et ne pliez pas excessivement le cordon d'alimentation et ne touchez pas la prise avec les mains mouillées.**
- **N'endommagez pas la prise et/ou le cordon d'alimentation ; cela pourrait provoquer des chocs électriques ou des incendies.**
- **Il est recommandé de maintenir la prise propre ; les résidus excessifs de poussière sur la prise peuvent provoquer un incendie.**

- **N'utilisez pas d'outils mécaniques ou autres équipements pour accélérer le processus de dégivrage.**
- **N'utilisez jamais de flamme nue ou d'équipements électriques, par exemple des appareils de chauffage, des nettoyeurs à vapeur, des bougies, des lampes à huile et autres objets similaires pour accélérer le dégivrage.**
- **N'utilisez pas et ne stockez pas d'aérosols inflammables, tels que des pulvérisateurs de peinture, à proximité de l'appareil, car cela pourrait provoquer une explosion ou un incendie.**
- **N'utilisez pas d'appareils électriques dans les compartiments de conservation de la nourriture, excepté s'ils sont du type recommandé par le fabricant.**
- **Ne déposez pas et ne stockez pas de matériaux inflammables ou hautement volatils tels que de l'éther, de l'essence, du GPL, du gaz propane, des aérosols, des colles, de l'alcool pur, etc. Ces matériaux peuvent provoquer une explosion.**
- **Ne stockez pas de médicaments ou de matériels de recherche dans l'appareil. Lorsqu'un matériel nécessitant un contrôle strict des températures de conservation doit être conservé, il est possible qu'il se détériore ou qu'une réaction non contrôlée survienne pouvant entraîner des risques.**
- **N'obstruez pas les orifices d'aération dans l'appareil ou dans la structure dans laquelle il est intégré.**
- **Ne placez pas d'objets et/ou de récipients remplis d'eau au-dessus de l'appareil.**
- **N'effectuez pas de réparations sur cet appareil. Toutes les interventions doivent être réalisées par un personnel qualifié uniquement.**
- **Cet appareil peut être utilisé par des enfants âgés de 8 ans et plus et des personnes dont les capacités physiques, sensorielles ou mentales sont réduites, ou des personnes dénuées d'expérience et de connaissances, à condition qu'ils aient été informés de la manière d'utiliser l'appareil en toute sécurité et qu'ils comprennent les risques impliqués.**
- **Les enfants ne doivent pas jouer avec l'appareil. La maintenance et le nettoyage ne doivent pas être effectués par des enfants sans surveillance.**

MISE AU REBUT DE L'ANCIEN APPAREIL



Cet appareil est marqué conformément à la directive européenne 2012/19/EU sur les déchets des équipements électriques et électroniques (DEEE). Les DEEE couvrent à la fois les substances polluantes (pouvant avoir des retombées négatives sur l'environnement) et les composants de base (pouvant être réutilisés). Il est important de soumettre les DEEE à des traitements spécifiques, afin d'enlever et éliminer tous les polluants de manière adéquate et de récupérer et recycler tous les matériaux. Chacun peut jouer un rôle important afin de garantir que les DEEE ne deviennent pas un problème pour l'environnement ; il est essentiel de respecter quelques règles de base :

- Les DEEE ne doivent pas être traités comme des déchets ménagers ;
- Les DEEE doivent être remis aux points de collecte appropriés gérés par la municipalité ou par des sociétés reconnues. Dans de nombreux pays, pour des DEEE encombrants, la collecte à domicile peut être organisée.

Dans de nombreux pays, lorsque vous achetez un nouvel appareil, l'ancien peut être retourné au détaillant qui est en devoir de le récupérer sans frais de manière individualisée, tant que l'équipement est de type équivalent et a les mêmes fonctions que l'équipement fourni.

Conformité CE



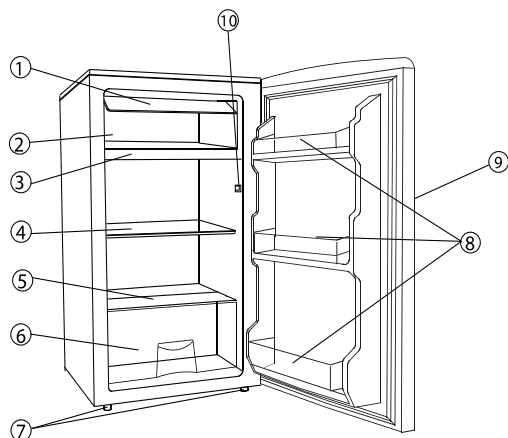
En apposant la marque CE sur ce produit, nous confirmons la conformité à toutes les exigences européennes concernant la protection de l'environnement et de la santé et de la sécurité, applicables selon la loi à ce produit.

ÉCONOMIES D'ÉNERGIE

- Pour faire davantage d'économies d'énergie, nous suggérons :
- **Installez l'appareil dans un endroit aéré, loin de sources de chaleur et ne l'exposez pas à la lumière directe du soleil.**
- Évitez de mettre de la nourriture chaude dans le réfrigérateur pour éviter d'accroître la température intérieure et, par conséquent, de faire fonctionner le compresseur en permanence.
- Ne tassez pas trop les denrées conservées de manière à garantir une circulation de l'air correcte.
- Si de la glace s'est formée, dégivrez l'appareil (voir le paragraphe DÉGIVRAGE) pour faciliter le transfert du froid.
- En cas de coupure de l'alimentation électrique, il est conseillé de garder la porte du réfrigérateur fermée.
- Ouvrez ou laissez la porte du réfrigérateur ouverte le moins possible.
- Évitez de régler le thermostat à des températures trop basses.
- Retirez la poussière accumulée à l'arrière de l'appareil (voir le paragraphe NETTOYAGE)
- Total No Frost Audy (affichage sur la porte) : retirer tous les paniers du congélateur ;
- Total No Frost (avec interface utilisateur interne pour le réfrigérateur et bouton de réglage pour le congélateur) : retirer les autres paniers du congélateur mais garder le tiroir inférieur en place.
- Modèle Frost Free : retirer les autres paniers du congélateur mais garder le tiroir inférieur en place.
- Tous les modèles statiques normaux : retirer tous les tiroirs du congélateur.

1. Nom des pièces

PIECES ET CARACTERISTIQUES



- 1 Porte du compartiment à température négative
- 2 Compartiment à température négative
- 3 Plateau de dégivrage
- 4 Grilles du compartiment réfrigérateur
- 5 Plaque-couverture en verre
- 6 Bac à légumes et fruits
- 7 Pieds de mise à niveau
- 8 Balconnets
- 9 Poignée encastrée
- 10 Interrupteur de porte

2. MISE EN SERVICE DES APPAREILS

Cet appareil est uniquement destiné à une utilisation domestique et intérieure.
Le produit doit être installé en respectant les règles nationales d'installation.

Alimentation en électricité

Il faut une alimentation en courant alternatif 230V~ de fréquence 50Hz . Si les variations de tension sont importantes au point qu'on soit hors des limites, il faut alors, pour plus de sécurité, un régulateur de tension automatique de courant alternatif. Il faut une fiche d'alimentation spéciale pour ce réfrigérateur au lieu de la fiche habituelle utilisée avec d'autres appareils électriques. La prise, y compris le fil de mise à la terre, doit se raccorder à la fiche. La prise de l'installation doit toujours être munie d'un raccordement à la terre. Si l'approvisionnement en courant n'est pas connecté à la terre, vous ne devez pas connecter l'appareil.

Cordon d'alimentation

La prise de courant doit rester accessible après l'installation de l'appareil.
Le cordon ne doit pas être allongé et ne doit pas être plié en spirale lorsqu'il est utilisé. De plus, il est interdit de garder le cordon près du compresseur à l'arrière du réfrigérateur, car la température à la surface de celui-ci est très élevée lorsqu'il fonctionne. Le toucher désactiverait l'isolation ou provoquerait des fuites de courant.

Protection contre l'Humidité

Eviter de placer le réfrigérateur dans un endroit très humide pour que les pièces métalliques ne rouillent pas (ou tout au moins pour minimiser un tel risque). En outre, il est interdit de pulvériser de l'eau directement sur le réfrigérateur pour qu'il n'y ait pas de fuite de courant ou que l'isolation soit moins bonne.

Comment bien Ventiler

Une bonne ventilation autour du réfrigérateur est nécessaire pour que la chaleur se dissipe facilement, que la réfrigération soit plus efficace et pour réduire la consommation d'électricité. C'est pourquoi, il faut suffisamment d'espace libre autour du réfrigérateur. Il faut au moins 100 mm d'espace libre entre le mur et l'arrière et de chaque côté, ainsi que 200 mm au-dessus de l'appareil. Il faut également suffisamment d'espace pour ouvrir la porte à 160°.

Protection contre la Chaleur

Le réfrigérateur doit être loin de toute source de chaleur ou de la lumière directe du soleil.

Mise en Place

Le sol sur lequel le réfrigérateur sera placé doit être plat et solide. Il ne doit pas être posé sur un matériau mou, comme de la mousse plastique, etc. Si le réfrigérateur penche, réglez les vis pour qu'il soit à niveau. Le réfrigérateur ne doit pas être placé près que quelque chose qui peut faire des échos.

A Placer loin de Dangers Potentiels

Il n'est pas recommandé de placer le réfrigérateur près de produits combustibles ou qui se volatilisent, comme du gaz, de l'essence, de l'alcool, du vernis ou de l'huile de banane, etc. Les produits susmentionnés ne peuvent pas être stockés dans le réfrigérateur.

Comment déplacer le réfrigérateur

Qu'il soit fixe ou bougé, le réfrigérateur ne peut pas être mis à l'horizontal ou penché de plus de 45° ou mis à l'envers.

3.Précautions – Mises en garde

L'eau contenue dans la nourriture ou se trouvant dans l'air et introduite à l'intérieur du réfrigérateur en ouvrant les portes peut former une couche de givre. Le réfrigérateur est moins efficace lorsque l'épaisseur de givre est épaisse. Lorsqu'elle est supérieure à 2 mm, il vous faut dégivrer.

Le dégivrage du compartiment congélateur se fait manuellement. Avant de dégivrer, mettez la nourriture, le bac à glaçons et la clayette temporairement dans le compartiment réfrigérateur, puis placez le bouton du régulateur de température sur « 0 » (le compresseur s'arrêtera alors de fonctionner) et laissez la porte ouverte jusqu'à ce que la glace et le givre se dissolvent complètement et se trouvent en bas du compartiment. Nettoyez alors l'eau avec un chiffon doux. Pour aller plus vite, vous pouvez mettre un récipient d'eau tiède (environ 50° C) dans le compartiment congélateur. Assurez-vous que le bouton du régulateur de température est remis à sa position d'origine après dégivrage.

Il n'est pas recommandé de chauffer le compartiment congélateur directement avec de l'eau chaude ou un séchoir à cheveux pendant le dégivrage pour ne pas déformer les parois intérieures.

Il n'est pas recommandé non plus de racler la glace et le givre ou de séparer des aliments congelés de leurs containers (lorsqu'ils ont été congelés ensemble) avec des outils coupants ou des barres en bois, pour ne pas endommager les parois intérieures ou la surface de l'évaporateur.

Si le cordon d'alimentation est endommagé, il doit être remplacé par le fabricant, son service après vente ou des personnes de qualification similaire afin d'éviter un danger.

Mise en garde- Maintenir dégagées les ouvertures de ventilation dans l'enceinte de l'appareil ou dans la structure d'encastrement.

Mise en garde- Ne pas utiliser de dispositifs mécaniques ou autres moyens pour accélérer le processus de dégivrage, autres que ceux recommandés par le fabricant.

Mise en garde- Ne pas endommager le circuit de réfrigération.

Mise en garde- Ne pas utiliser d'appareils électriques à l'intérieur du compartiment destinés à la conservation des denrées, à moins qu'ils ne soient du type recommandé par le fabricant.

4.Comment changer la porte réversible

Ce réfrigérateur a été construit avec des charnières de porte sur la droite. Si vous voulez changer le sens d'ouverture, voici comment le faire :

1. Enlevez les petits cache-vis en plastique (7) et les vis (6) qui fixent le plan de travail pour démonter le plan en question.
2. Enlevez les deux vis (1) qui maintiennent la charnière supérieure (côté droit) à la structure. Enlevez la charnière supérieure (5).

3. Soulevez la porte et placez-la sur une surface rembourrée pour qu'elle ne se raye pas.
4. Enlevez les deux vis (8) qui maintiennent la charnière inférieure (2) et enlevez la charnière inférieure (2).
5. Enlevez le pied avant gauche (4) et transférez-le à droite.
6. Avant de placer la charnière inférieure (2), enlevez la tige-boulon (9) et changez le sens de la charnière inférieure (2). Installez alors la charnière inférieure (2) sur le côté gauche de la structure du bas avec deux vis (8).
7. Insérez la tige-boulon (9) dans la charnière inférieure (2).
8. Mettez la porte en place en vous assurant que la porte est bien placée dans la charnière inférieure (2).
9. En maintenant la porte fermée, placez la charnière supérieure (5) dans la structure du haut côté gauche avec deux vis (1). Souvenez-vous de ne pas serrer les deux vis (1) avant que le haut de la porte soit à niveau par rapport au plan de travail.
10. Installez le plan de travail par dessus l'appareil avec des vis (6) et couvrez les vis avec les cache-vis.

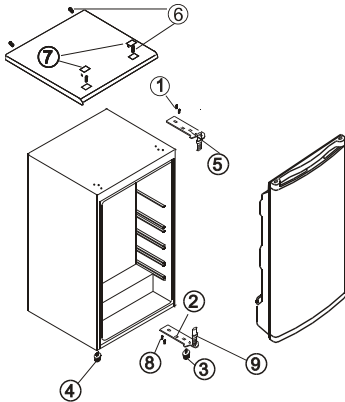


FIGURE 1

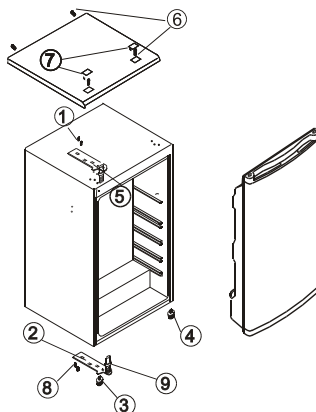


FIGURE 2

FIGURE 1 : REPRESENTE LA POSITION DES COMPOSANTS AVANT DE RENVERSER LA PORTE

FIGURE 2 : REPRESENTE LA POSITION DES COMPOSANTS APRES QUE LA PORTE AIT ETE RENVERSEE

5.Maintenance

Le réfrigérateur doit être nettoyé et entretenu une fois par mois.

Lorsque vous effectuez un nettoyage/entretien, il faut absolument vous assurer tout d'abord que la fiche d'alimentation est bien déconnectée de la prise.

Nettoyez la surface intérieure et la surface extérieure du réfrigérateur et ses accessoires avec un chiffon sec. Si elles sont trop sales, lavez-les avec un détergent neutre, puis nettoyez-les avec de l'eau et séchez-les avec un chiffon sec. Ensuite, il est recommandé de polir la surface du réfrigérateur avec une petite quantité de cire pour verre avec de la flanelle de coton.

Pour nettoyer, n'utilisez pas d'eau chaude, de diluant, de l'essence, de l'alcool, du kérosène, de la poudre de lavage, du détergent, un détergent alcalin, de l'acide, un chiffon chimique, etc., pour ne pas endommager le revêtement verni et les plastiques. Il est interdit de pulvériser de l'eau directement sur le réfrigérateur pour ne pas réduire sa capacité d'isolation ou pour qu'il ne rouille pas.

Prenez bien soin des joints en caoutchouc des portes. Ils doivent toujours être propres.

Si les pièces en plastique dans le réfrigérateur restent souillées pendant longtemps par de l'huile (animale ou végétale), elles vieilliront plus vite et des fissures apparaîtront éventuellement. Le plateau de dégivrage se salit facilement s'il n'est pas nettoyé régulièrement, de plus il y aura des mauvaises odeurs. Prenez l'habitude de nettoyer ce plateau régulièrement.

6. Diagnostic des Pannes

1. Quand le réfrigérateur ne fonctionne pas :

Vérifiez s'il y a une panne de courant.

Vérifiez si la fiche d'alimentation est bien mise dans la prise de courant.

Vérifiez que le fusible n'a pas grillé.

2. Lorsque le réfrigérateur refroidit de façon excessive :

Le réglage de la température peut être sur une position trop élevée.

Si vous mettez des aliments contenant beaucoup d'humidité directement sous les sorties d'air frais, ils gèleront facilement. Cela ne signifie pas qu'il y a un défaut de fonctionnement.

3. Lorsque le réfrigérateur ne refroidit pas suffisamment :

Si les aliments sont trop ensemble (les uns sur les autres), il se peut que le flux d'air frais ne puisse pas passer.

Il se peut que vous ayez mis quelque chose de chaud ou trop d'aliments dans le réfrigérateur.

Il est possible que la porte n'ait pas été fermée correctement.

Les joints de porte peuvent être endommagés.

Le réfrigérateur peut ne pas être ventilé.

Il n'y a peut-être pas assez d'espace libre au-dessus ou sur les côtés du réfrigérateur.

La température peut ne pas être réglée correctement.

4. Lorsque l'eau de dégivrage se répand à l'intérieur du réfrigérateur et sur le sol.

Vérifiez que les tuyaux de vidange et d'évacuation ne sont pas bouchés.

Vérifiez que le plateau de vidange est dans la bonne position.

5. Lorsque de la condensation se forme sur l'extérieur du réfrigérateur.

La condensation peut se former sur l'extérieur quand il y a beaucoup d'humidité, comme pendant une saison humide.

C'est le même type de condensation que celle qui se forme quand on verse de l'eau froide dans un verre. Il ne s'agit donc pas d'un défaut, essayez simplement avec un chiffon sec.

6. Lorsque vous entendez un son semblable à de l'eau qui coule.

En coulant, le réfrigérant émet un son semblable à de l'eau qui coule. Ce n'est donc pas un dysfonctionnement.

7. Lorsque le panneau de côté de l'appareil chauffe :

Le panneau de côté de l'appareil chauffe lorsque la porte est ouverte ou fermée fréquemment, lors du démarrage de l'appareil et quand il marche en été dans des conditions de températures ambiantes extérieures élevées. Dans ce cas, ne touchez pas le panneau, c'est dû à la dissipation de la chaleur de l'intérieur de l'appareil et ça ne veut pas dire que le réfrigérateur ne fonctionne pas correctement.

7. Spécifications techniques

*Les spécifications peuvent être modifiées sans avertissement préalable.

*Pour le détail des spécifications techniques, veuillez consulter la plaque signalétique à l'intérieur du réfrigérateur.

Cher client, en plus des instructions du mode d'emploi, nous vous remercions de lire attentivement ce document qui comporte des conseils utiles.

ZONE LA PLUS FROIDE DU REFRIGERATEUR



Le symbole ci-contre indique l'emplacement de la zone la plus froide de votre réfrigérateur. Cette zone est délimitée en bas par la vitre du bac à légumes, et en haut par le symbole ou bien la clayette positionnée à la même hauteur.

Afin de garantir les températures dans cette zone, veuillez à ne pas modifier le positionnement de cette clayette.

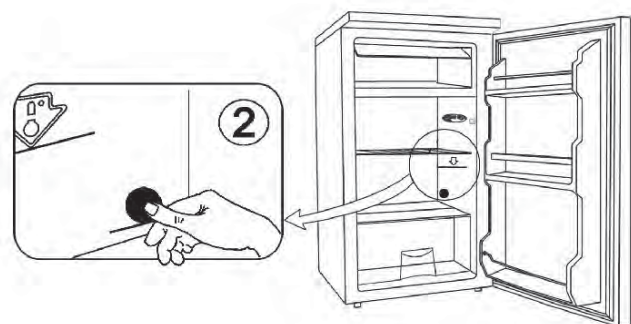
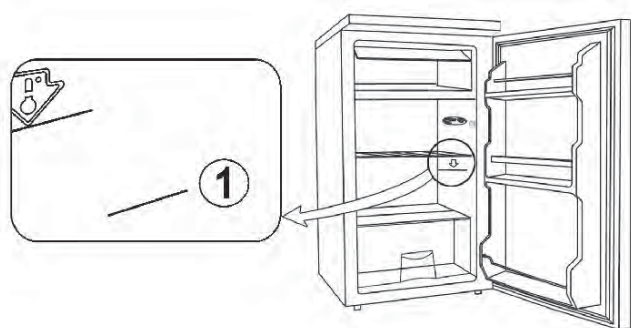
Dans les réfrigérateurs à air pulsé (équipés d'un ventilateur ou modèles No Frost), le symbole de la zone la plus froide n'est pas représenté car la température à l'intérieur de ceux-ci est homogène.

INSTALLATION DE L'INDICATEUR DE TEMPERATURE

Pour vous aider à bien régler votre réfrigérateur, celui-ci est équipé d'un indicateur de température qui permettra de contrôler la température moyenne dans la zone la plus froide.

ATTENTION: Cet indicateur est prévu pour fonctionner uniquement avec votre réfrigérateur, veuillez à ne pas l'utiliser dans un autre réfrigérateur (en effet, la zone la plus froide n'est pas identique), ou pour toute autre utilisation.

INDICATEUR DE TEMPERATURE: ZONE LA PLUS FROIDE DE VOTRE REFRIGERATEUR.



VERIFICATION DE LA TEMPERATURE DANS LA ZONE LA PLUS FROIDE

• Grâce à l'indicateur de température, vous pourrez vérifier régulièrement que la température de la zone la plus froide est correcte. En effet, la température à l'intérieur du réfrigérateur est fonction de plusieurs facteurs tels que la température ambiante du local, la quantité de denrées stockées, la fréquence d'ouverture de la porte. Prenez ces facteurs en considération lors du réglage de l'appareil.

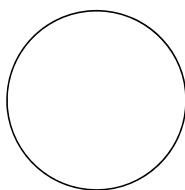
Lorsque l'indicateur indique « OK », cela signifie que votre thermostat est bien réglé, et que la température intérieure est correcte.

Si la couleur de l'indicateur est blanche, cela signifie que la température est trop élevée, il faut dans ce cas augmenter le réglage du thermostat et attendre 12 heures pour effectuer un nouveau contrôle visuel de l'indicateur.

Après chargement ou ouverture de la porte, il est possible que l'indicateur devienne blanc au bout de quelques instants.



Réglage correct



Température trop élevée, réglez le thermostat

RESPECT DES REGLES D'HYGIENE ALIMENTAIRE

Nettoyer fréquemment l'intérieur du réfrigérateur en utilisant un produit d'entretien doux, sans effet oxydant sur les parties métalliques, puis rincer avec de l'eau additionnée de jus de citron, de vinaigre blanc ou avec tout produit désinfectant adapté au réfrigérateur.

Retirer les emballages du commerce avant de placer les aliments dans le réfrigérateur (par exemple, emballages des packs de yaourts).

L'observation des conseils suivants est de nature à éviter la contamination croisée et à éviter une mauvaise conservation des aliments:

Emballer systématiquement les produits pour éviter que les denrées ne se contaminent mutuellement. Se laver les mains avant de toucher les aliments et plusieurs fois pendant la préparation du repas si celle-ci implique des manipulations successives de produits différents, et après, bien sûr, au moment de passer à table comme les règles d'hygiène l'imposent.

Ne pas réutiliser des ustensiles ayant déjà servi (cuillère en bois, planche à découper) sans les avoir bien nettoyés au préalable.

Attendre le refroidissement complet des préparations avant de les stocker (exemple: soupe).

Limiter le nombre d'ouvertures de la porte et, en tout état de cause, ne pas la laisser ouverte trop longtemps pour éviter une remontée en température du réfrigérateur.

Disposer les aliments de telle sorte que l'air puisse circuler librement tout autour.

CONSERVATION DES ALIMENTS DANS LE REFRIGERATEUR EN FONCTION DE LEUR NATURE

- Stocker les aliments selon leur nature dans la zone appropriée:

Zone la plus froide: Viandes, volailles, poissons, charcuteries, plats préparés, salades composées, préparations et pâtisseries à base d'oeufs ou de crème, pâtes fraîches, pâte à tarte, pizza/quiches, produits frais et fromages au lait cru, légumes prêts à l'emploi vendus sous sachet plastique et plus généralement, tout produit frais dont la date limite de consommation (DLC) est associée à une température de conservation inférieure ou égale à +4°C.

Köszönjük, hogy megvásárolta a terméket.

Az optimális teljesítmény érdekében hűtőszekrény használatát előtt alaposan olvassa el a használati útmutatót. Őrizze meg a dokumentációt későbbi használat céljából, illetve más tulajdonosok részre. A termék kizárólag háztartási használatra és más hasonló alkalmazási módokra alkalmas, például:

- üzletek, irodák és egyéb munkakörnyezetek személyzeti konyhahelyisége
- gazdaságok, hotelek, motelek és egyéb lakókönyezetek konyhahelyisége
- panziók konyhahelyisége
- Vendéglátási és egyéb nem kereskedelmi célú szolgáltatások alkalmazási módjai.

A készülék kizárólag élelmiszerek tárolására szolgál, minden más alkalmazási mód veszélyesnek minősül, így a gyártó nem vállalja a felelősséget ezekért. Emellett azt javasoljuk, hogy figyeljen a jótállás feltételeire.

BIZTONSÁGI INFORMÁCIÓK

A hűtőszekrény hűtőközeggázt (R600a: izobutént) és szigetelőgázt (ciklopentánt) tartalmaz, amelyek összeegyeztethetők a környezettel, viszont gyúlékonyak.

A veszélyes helyzetek elkerülése érdekében tartsa be az alábbi szabályozásokat:

A műveletek elvégzése előtt húzza ki a hálózati kábelt a hálózati aljzatból.

- **A készülék hátánál és belsejében található hűtőrendszer hűtőközeget tartalmaz. Ezért ügyeljen rá, hogy a csövek ne sérülhessenek meg.**
- **Ha a hűtőrendszer szivárog, akkor ne érintse meg a fali kivezető nyílást, és ne használjon nyílt lángot. Nyissa ki az ablakot, és hagyja szellőzni a helyiséget. Ezután hívja fel a szervizközpontot, és kérjen javítást.**
- **A jeges vagy fagyos részeket ne próbálja meg késsel és más éles tárgyakkal lekaparni. Ezek az eszközök felsérthetik a hűtőközeg vezetékét, a kiömlött folyadék pedig tüzet vagy szemsérülést okozhat.**
- **Ne helyezze a készüléket nyirkos, olajos vagy poros helyre, és ne tegye ki azt közvetlen napfénynek vagy víznek.**
- **Ne helyezze a készüléket hőforrások vagy gyúlékony anyagok közelébe.**
- **Ne használjon hosszabbító vezetékeket és adaptereket.**
- **Ne húzza meg túlságosan, illetve ne hajtsa össze a hálózati vezetékét, ne érintse meg a csatlakozódugót nedves kézzel.**
- **Ne sértse fel a csatlakozódugót és/vagy a hálózati kábelt, mert ez áramütést vagy tüzet okozhat.**
- **Javasoljuk, hogy tartsa tisztán a csatlakozódugót, mert a túlzott mértékű porlerakódás is tűzhez vezethet.**
- **Ne siettesse a leolvasztást mechanikai eszközökkel és más berendezésekkel.**
- **Semmilyen körülmények között ne próbálja meg felgyorsítani a leolvasztási folyamatot nyílt lánggal, elektromos berendezésekkel, például fűtőtestekkel, gőztisztítókkal, gyertyákkal, olajlámpákkal vagy más hasonló eszközökkel.**

- Ne használjon és ne tároljon gyúlékony spréket, például szórófejes festéket a készülék közelében, mert azok robbanást vagy tüzet okozhatnak.
- Kizárólag a gyártó által javasolt típusú elektromos készülékeket használhatja az élelmiszertároló rekeszekben.
- Ne helyezzen gyúlékony, erősen illó anyagokat, például étert, benzint, PB-gázt, propán-gázt, aeroszol spray-tartályokat, ragasztókat, tiszta alkoholt stb. a készülékbe, illetve ne tároljon benne ilyen eszközöket. Ezek az anyagok robbanást okozhatnak.
- Ne tároljon a készülékben gyógyszereket és vizsgálati anyagokat. Ha a tárolási hőmérsékletek szigorú szabályozását igénylő anyagot tárol, akkor az megromolhat, vagy olyan irányíthatatlan reakciót indít el, amely veszélyt jelenthet.
- Ne helyezzen akadályokat a készülék szellőzőnyílásai és a beépített szerkezet elé.
- Ne helyezzen tárgyakat és/vagy vízzel töltött tartályokat a készülék tetejére.
- Ne végezzen javításokat a készüléken. Kizárólag szakképzett személyzet végezheti a beavatkozásokat.
- A készüléket 8 év fölötti gyermekek, csökkent fizikai, érzékszervi és mentális képességekkel rendelkező, illetve kellő tapasztalattal nem rendelkező személyek, csak megfelelő felügyelet mellett, illetve akkor használhatják, ha már rendelkeznek a készülék biztonságos használatára és a kockázatokra vonatkozó tudással.
- Gyermekek ne játsszanak a készülékkel. A tisztítást és a karbantartást gyermekek nem végezhetik felügyelet nélkül

AZ ELAVULT KÉSZÜLÉK LESELEJTÉSE



Jelen eszköz az Európai Parlament és Tanács 2012/19/EU Az elektromos és elektronikus berendezések hulladékairól szóló irányelvnek (WEEE) való megfelelés alapján lett megjelölve. A WEEE magában foglalja a szennyező anyagokat (melyek negatív hatással lehetnek a környezetre) alapvető rekeszek (ezek újra felhasználhatók). Fontos, hogy a WEEE anyagok egyedi kezelésen essenek át, a szennyező anyagok megfelelő eltávolítása és ártalmatlanítása, valamint az anyagok visszanyerése és újrahasznosítása érdekében. Az egyes személyeknek fontos szerepük van abban, hogy a

WEE anyagok ne válhassanak környezetvédelmi problémává; ehhez kell tartaniuk néhány fontos szabályt:

- A WEEE anyagok nem kezelhetők háztartási hulladékként;
- A WEEE anyagokat a megfelelő, az önkormányzat vagy a regisztrált vállalatok által kezelt begyűjtési pontokon kell leadni. Számos országban, nagy mennyiségű WEEE anyagok esetében otthoni gyűjtés is kialakulhat.

Több országban új berendezés vásárlásakor az ilyen hulladékot ingyen vissza lehet vinni a kereskedőhöz, mennyiben a régi berendezés ugyanolyan típusú, mint az új és azzal megegyező funkciójú.

CE-megfelelőség



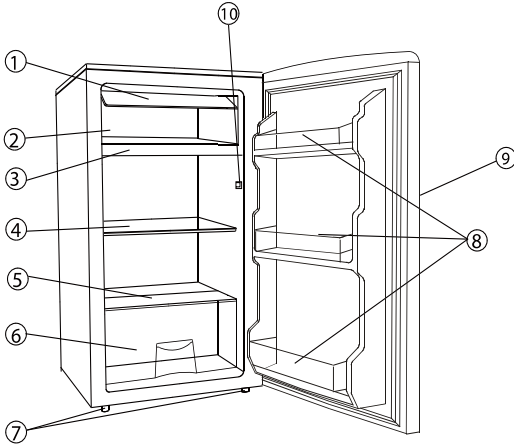
A CE jelzés terméken történő elhelyezésével megerősítjük, hogy jelen termék megfelel valamennyi Európai biztonsági, egészségügyi és környezeti követelménynek, amely jelen termékre vonatkozó törvénykezésben megtalálható.

ENERGIATAKARÉKOSSÁG

- A nagyobb energia-takarékosság jegyében a következőket javasoljuk:
- A készüléket hőforrásoktól távol, jól szellőző helyiségben szerelje fel és ne tegye ki közvetlen napfénynek.
- Ne tegyen forró ételt a hűtőgépbe, elkerülve ezzel a belső hőmérséklet növekedését, ezáltal pedig a kompresszor folyamatos működését.
- Ne halmozza egymásra az élelmiszereket, biztosítva ezzel a megfelelő légáramlást.
- Jegesedés esetén jégtelenítse a készüléket (lásd a JÉGTELENÍTÉS című fejezetet) a hideg átvitelének biztosítása érdekében.
- Áramszünet esetén tanácsos a hűtőgép ajtaját zárva tartani.
- A lehető legtrikábban nyissa ki a készülék ajtaját, és a lehető legkevesebb ideig tartsa nyitva azt
- Ne állítsa túl alacsony hőmérsékletre a termosztátot
- Távolítsa el a készülék hátoldalán lévő port (lásd a TISZTÍTÁS című fejezetet).
- Total no frost (fagyasztás nélküli típus esetén – az ajtóra szerelt kijelzőn): vegye ki az összes kosarat a fagyasztószekrényből;
- Total no frost (fagyasztás nélküli típus esetén - a hűtő belső felhasználói felületén, a fagyasztó beállító gombjával): az alsó fiók kivételével vegye ki a fagyasztó összes többi rekeszét.
- Fagymentes típus: az alsó fiók kivételével vegye ki a fagyasztó összes többi rekeszét.
- Minden hagyományos, statikus típus esetén: vegye ki a fagyasztószekrény összes rekeszét

1. A készülék alkatrészeinek megnevezése

ALKATRÉSZEK ÉS TULAJDONSÁGOK



- (1) Negatív hőmérsékletű rekesz ajtó
- (2) Negatív hőmérsékletű rekesz
- (3) Csepegtetőtálca
- (4) A hűtőrekesz polcai
- (5) Üvegborítás
- (6) Tárolófiók
- (7) Szintbeállító lábak
- (8) Ajtórekeszek
- (9) Fogantyú
- (10) Ajtókapcsoló

2. Helyes beállítás

Megfelelő szellőzés

A megfelelő hőterjedéshez, a hűtőszekrény hatékony működésének eléréséhez és a kis energiafogyasztáshoz jó szellőzésnek kell lennie a hűtőszekrény körül. Ezért megfelelő szabad helynek kell lennie a hűtőszekrény körül. Hátlapja legalább 100 mm-re, oldallapjai legalább 100-100 mm-re legyenek a faltól, a készülék teteje fölött pedig legalább 200 mm szabad helyet kell hagyni. Szabad helyet kell hagyni az ajtó 160°-os nyitásához.

Áramellátás

A hűtőszekrény egyfázisú váltakozó árammal működik (220-240 V~/50 Hz; 230 V~/60 Hz). Ha a felhasználó lakóhelyén a feszültségingadozás olyan nagy, hogy a feszültség meghaladja a fenti értéket, akkor automatikus feszültségszabályozóval kell ellátni a hűtőszekrényt. A hűtőszekrényhez külön csatlakozóaljzatot kell biztosítani, nem szabad más elektromos készülékekkel közös csatlakozóaljzatot használni. A csatlakozódugót földelt csatlakozóaljzatba kell csatlakoztatni.

Hálózati csatlakozózsínór

A készülék működése közben nem szabad a csatlakozózsínórát meghosszabbítani vagy feltekercselni. Tilos továbbá a csatlakozózsínórát a hűtőszekrény hátoldalánál lévő kompresszor közelében tartani, amelynek hőmérséklete működés közben meglehetősen nagy. A kompresszorral való érintkezés tönkreteszi a szigetelést vagy elektromos veszteséget okozhat.

Nedvesség elleni védelem

A fémrészek rozsdásodásának elkerülése érdekében ne tegye a hűtőszekrényt nagyon nedves helyre. Ezen kívül tilos a hűtőszekrényt közvetlenül vízzel permetezni, mert meggyengül a szigetelés és elektromos veszteség keletkezik.

Hővédelem

A hűtőszekrényt hőforrástól vagy a közvetlen napsugárzástól távol kell elhelyezni.

Stabil rögzítés

A hűtőszekrény elhelyezésére szolgáló padló legyen sima és szilárd. A hűtőszekrényt nem szabad puha anyagra, például műanyagbokra stb. helyezni. Ha a hűtőszekrény nincs szintben, akkor állítsa be a csavarokkal. A hűtőszekrényt nem szabad visszhangzó tárgyak mellé helyezni.

A veszélyek elkerülése

Nem tanácsos a hűtőszekrényt illékony vagy éghető anyagok, például gáz, benzin, alkohol, lakk és amil-acetát stb. közelében elhelyezni. A fent említett anyagok nem tárolhatók a hűtőszekrényben.

A készülék mozgatása

Rögzítéskor vagy mozgatáskor nem szabad a hűtőszekrényt lefektetni, 45 fokok szögénél nagyobb mértékben megdönteni vagy felfordítani.

3. Óvintézkedések

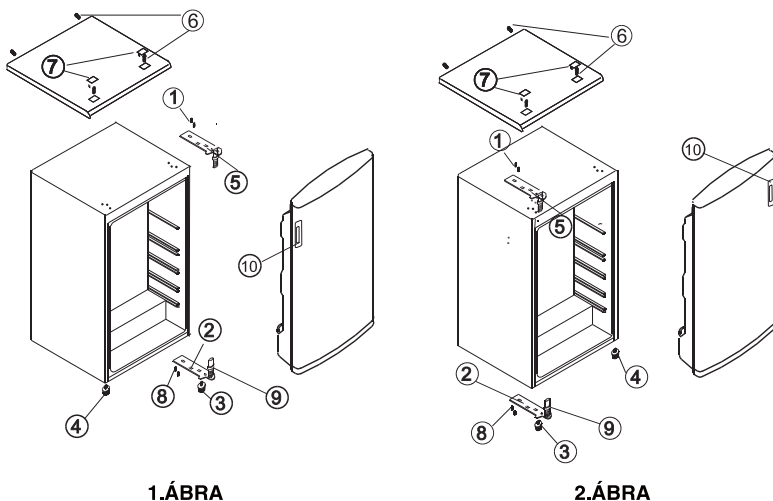
- * Az élelmiszerekben lévő víz, vagy az ajtónyitáskor a hűtőszekrénybe kerülő levegő a készülék belsejében zúzmamaréteget képezhet. Gyengíti a hűtőszekrényt, ha a zúzmamaréteg vastag, így ha az eléri a 2 mm-es vastagságot, akkor leolvasztást kell végezni.
- * A fagyasztórekesz leolvasztása manuálisan történik. A leolvasztás megkezdése előtt tegye át ideiglenesen az ételeket, a jégtálcát és a polcot a hideg tárolókamrába, majd pedig állítsa a hőmérsékletszabályozó gombot a „0” állásba (ekkor nem működik a kompresszor), és hagyja az ajtót nyitva, amíg a jég és a zúzmara leolvad a fagyasztórekesz aljáról. Puha ruhával itassa fel a vizet. A leolvasztás felgyorsítása érdekében egy edényben meleg vizet (kb. 50°C) tehet a fagyasztórekeszbe. A leolvasztás után ne felejtse el eredeti állásába visszaállítani a hőmérsékletszabályozó gombot.
- * A belső burkolat alakváltozásának megelőzése érdekében nem tanácsos a fagyasztórekeszt forró vízzel vagy hajszárítóval közvetlenül melegíteni.
- * Ugyancsak nem tanácsos éles eszközzel vagy farúddal lekaparni a jeget és a zúzmarrát, vagy az edényhez fagyott ételt az edénytől elválasztani azért, hogy ne sérüljön meg a belső burkolat vagy a párologtató felülete.
- * Ha megsérült a készülék hálózati kábele, akkor azt csak a gyártó által kijelölt javítóműhely cserélheti ki, mert a cseréhez speciális célszerszámokra van szükség.

4. Az átállítható ajtó kicserélése

A hűtőszekrény csuklópántjai gyárilag a jobb oldalon vannak. Ha meg szeretné változtatni a nyitás irányát, akkor kövesse az alábbi utasítást:

1. A munkalap szétszereléséhez vegye le a kis műanyag takarót (7) és a munkalapot rögzítő csavarokat (6).
2. Vegye le a felső csuklópántot (5) (jobb oldal) a kerethez rögzítő két csavart (1). Vegye ki a felső csuklópántot (5).
3. Emelje le az ajtót, és a karcolódás megelőzése érdekében helyezze párnázott felületre.
4. Vegye le az alsó csuklópántot (2) tartó két csavart (8), majd vegye ki az alsó csuklópántot (2).
5. Vegye ki a bal első lábat (4) és tegye át a jobb oldalra.
6. Az alsó csuklópánt (2) elhelyezése előtt vegye ki a csapszeget (9) és fordítsa meg az alsó csuklópánt (2) irányát. Ezután szerelje fel az alsó csuklópántot (2) a két csavarral (8) az alsó keret bal oldalára.
7. Helyezze be a csapszeget (9) az alsó csuklópántba (2).
8. Az ajtót az alsó csuklópánthoz (2) illesztve tegye a helyére az ajtót.
9. Az ajtót csukott helyzetben tartva rögzítse a felső csuklópántot (5) a két csavarral (1) a bal oldali felső kerethez. Ne húzza meg teljesen a két csavart (1), amíg az ajtó teteje nincs egy szintbe állítva a pult tetejével.
10. Szerelje a munkalapot a szekrény tetejére a csavarokkal (6), és illessze be a kis műanyag takarót (7).
11. Tegye át az ajtófogantyút (10) a bal oldalról a jobb oldalra.

4. Az átállítható ajtó kicserélése



1. ÁBRA - AZ ALKATRÉSZEK ELHELYEZKEDÉSE AZ AJTÓ ÁTHELVEZÉSE ELŐTT.

2. ÁBRA - AZ ALKATRÉSZEK ELHELYEZKEDÉSE AZ AJTÓ ÁTHELVEZÉSE UTÁN.

5. Hibaelhárítás

1. Ha a hűtőszekrény nem működik
Ellenőrizze, hogy nincs-e áramszünet.

Ellenőrizze, hogy a csatlakozódugó be van-e dugva a csatlakozóaljzatba. Ellenőrizze, hogy nem égett-e ki a biztosíték.

2. Ha a hűtőszekrény túl erősen hűt

Lehet, hogy a hőmérsékletszabályozó tárcsa túl magas értékre van állítva.

Ha nagy nedvességtartalmú ételt helyez a hideglevegő-nyílások alá, akkor az étel könnyen megfagyhat. Ez nem minősül hibás működésnek.

3. Ha a hűtőszekrény nem hűt megfelelően

Az élelmiszerek túl szorosan vannak egymás mellett, ami akadályozza a hideg levegő áramlását. Meleg vagy túl sok élelmiszert helyezett a hűtőszekrénybe. Az ajtó nincs rendesen becsukva. Megsérült az ajtó tömítés. A hűtőszekrény nem szellőzik. Nincs elegendő távolság a hűtőszekrény és a falak között vagy a hűtőszekrény fölött.

Lehet, hogy a hőmérsékletszabályozó tárcsa nincs megfelelően beállítva.

4. Ha a leolvadt víz túlsordul a hűtőszekrény belsejében vagy a padlóra folyik

Ellenőrizze, hogy az elvezetőcső és az elvezetőtömlő nem tömődött-e el.

Ellenőrizze, hogy az elvezetőtálca megfelelően van-e elhelyezve.

5. Ha lecsapódás észlelhető a hűtőszekrény külső oldalán

Ha magas a páratartalom, például nedves időben, lecsapódás keletkezhet a hűtőszekrény külső oldalán. Ez ugyanolyan jelenség, mint amikor lehűtött vizet töltünk egy üvegpohárba. Ezért ez nem jelent hibát. Száraz ruhával törölje szárazra a felületet.

6. Ha vízáramláshoz hasonló hang hallható

A vízáramláshoz hasonló hang a hűtőközeg áramlásából keletkezik. Ez nem minősül hibának.

7. Ha a szekrény oldallapja felmelegszik

A szekrény oldallapja akkor melegszik fel, ha az ajtót gyakran nyitják vagy csukják, amikor bekapcsolódik a készülék, illetve amikor a készülék nyáron magas környezeti hőmérsékleten működik. Ebben az esetben ne érintse meg a lapot. A felmelegedés abból adódik, hogy a hő szétoszóródik a szekrény belsejében, és nem azt jelenti, hogy valami baj van a hűtőszekrényvel.

6. Műszaki adatok

*A részletes műszaki adatokat lásd a hűtőszekrény hátoldalán elhelyezett adattáblán.

*A műszaki adatok előzetes értesítés nélkül változhatnak.

Děkujeme vám za zakoupení tohoto výrobku.

Před použitím chladničky si pozorně přečtěte tento návod k použití, abyste mohli maximálně využít jejich možností. Uchovejte veškerou dokumentaci pro budoucí použití nebo další vlastníky. Tento výrobek je určen výhradně pro použití v domácnosti nebo podobně použití, jako jsou:

- v kuchyňské kouty pro zaměstnance v obchodech, kancelářích nebo na jiných pracovištích
- statky, hotely, motely a další ubytovací zařízení
- v ubytovacích zařízeních typu B&B (ubytování se snídaní)
- Pro stravovací služby a podobné účely, nikoliv však pro maloobchodní prodej.

Tento spotřebič se může používat pouze pro účely skladování potravin, přičemž jakékoliv jiné použití je považováno za nebezpečné a výrobce nenese odpovědnost za případné nedodržení pokynů. Doporučujeme vám také, aby ste se seznámili se záručními podmínkami.

BEZPEČNOSTNÍ INFORMACE

Chladnička obsahuje chladicí plyn (R600a: isobutan) a izolační plyn (cyklopentan), které jsou šetrné k životnímu prostředí, nicméně jsou hořlavé.

Doporučujeme vám, abyste dodržovali následující pokyny, čímž se vyhnete nebezpečným situacím:

Před provedením jakéhokoli úkonu, odpojte napájecí kabel ze zásuvky.

- **Chladicí systém, který se nachází za zadní stěnou a uvnitř spotřebiče, obsahuje chladivo. Proto dávejte pozor, aby nedošlo k poškození trubek.**
- **Pokud zjistíte únik z chladicího systému, nedotýkejte se zásuvky a nepoužívejte otevřený oheň. Otevřete okno a místnost vyvětrejte. Pak kontaktujte servisní středisko a požádejte o provedení opravy.**
- **Nepoužívejte nůž ani jiné ostré předměty k odstranění námrazy nebo ledu, který se nahromadí. Mohlo by dojít k poškození chladicího okruhu a následný únik, který může způsobit požár nebo poškození zraku.**
- **Neumist'ujte spotřebič ve vlhkém, mastném nebo prašném prostředí, ani jej nevystavujte přímému slunečnímu záření a působení vody.**
- **Neumist'ujte spotřebič do blízkosti topných těles nebo hořlavých materiálů.**
- **Nepoužívejte prodlužovací kabely nebo adaptéry.**
- **Netahejte silou za přívodní kabel ani jej neskládejte a nedotýkejte se zástrčky mokryma rukama.**
- **Dávejte pozor, abyste nepoškodili zástrčku nebo napájecí kabel, což by mohlo způsobit úraz elektrickým proudem nebo požár.**
- **Doporučuje se udržovat zástrčku v čistotě, neboť nadměrný nános prachu na zástrčce může být příčinou požáru.**
- **Nepoužívejte mechanické nástroje ani jiné prostředky k urychlení rozmrazování.**

- V žádném případě nepoužívejte otevřený oheň nebo elektrická zařízení, jako jsou topná tělesa, parní čističe, svíčky, olejové lampy a podobně, abyste urychlili rozmrazování.
- Nepoužívejte ani neukládejte v blízkosti spotřebiče hořlavé spreje, jako je například lak ve spreji, protože by mohlo dojít k výbuchu nebo vzniku požáru.
- Nepoužívejte elektrické spotřebiče uvnitř úložných oddělení pro potraviny, pokud nejsou přímo doporučeny výrobcem.
- Nevkládejte ani neskladujte hořlavé a vysoce těkavé materiály, jako je éter, benzín, LPG, propan, aerosolové spreje, lepidla, čistý alkohol atd. Tyto materiály mohou způsobit výbuch.
- Neuchovávejte ve spotřebiči lékařské nebo výzkumné látky. V případě uložení materiálu, který vyžaduje přesné dodržení skladovací teploty, může dojít ke zhoršení jeho kvality nebo nekontrolované reakci, což může představovat riziko.
- Větrací otvory ve skříni spotřebiče nebo ve vestavné konstrukci musí zůstat volné.
- Nepokládejte předměty nebo nádoby naplněné vodou na horní plochu spotřebiče.
- Neprovádějte žádné opravy na tomto spotřebiči. Veškeré zásahy mohou provádět pouze kvalifikovaní pracovníci.
- Tento spotřebič nesmějí používat děti do 8 let a osoby se sníženými fyzickými, smyslovými nebo duševními schopnostmi, nebo bez patřičných zkušeností a znalostí, pokud je nesledují osoby odpovědné za jejich bezpečnost, nebo jim nedávají příslušné pokyny k bezpečnému použití spotřebiče, a pokud si tyto osoby a děti neuvědomují možná nebezpečí.
- Děti si se spotřebičem nesmějí hrát. Děti nesmějí bez dozoru dospělých spotřebič čistit ani provádět činnosti údržby.

LIKVIDACE VYŘAZENÉHO SPOTŘEBIČE



Tento spotřebič je označen v souladu s evropskou směsí 2012/19/EU o likvidaci elektrického a elektronického zařízení (WEEE). WEEE obsahuje znečišťující látky (které mohou mít negativní dopad na životní prostředí) a základní díly (které mohou být znovu použity). Je nutné provést speciální zpracování WEEE, aby se odstranily a správně zlikvidovaly všechny znečišťující látky a získaly a zrecyklovaly všechny materiály. Každý jednotlivec může hrát důležitou roli při zajištění toho, aby WEEE nepředstavoval nebezpečí pro životní prostředí; je bezpodmínečně nutné dodržovat několik základních pravidel:

- WEEE se nesmí likvidovat jako domovní odpad;
- WEEE se musí předat na příslušné sběrné místo pod správou obce nebo autorizovaných společností. V mnoha zemích je zaveden odběr WEEE v domácnostech.

V mnoha zemích lze při zakoupení nového spotřebiče vrátit starý spotřebič prodejci, který je povinen jej odebrat bezplatně kus za kus, pokud je zařízení obdobného typu a má stejnou funkci jako dodané zařízení.

Prohlášení o shodě CE



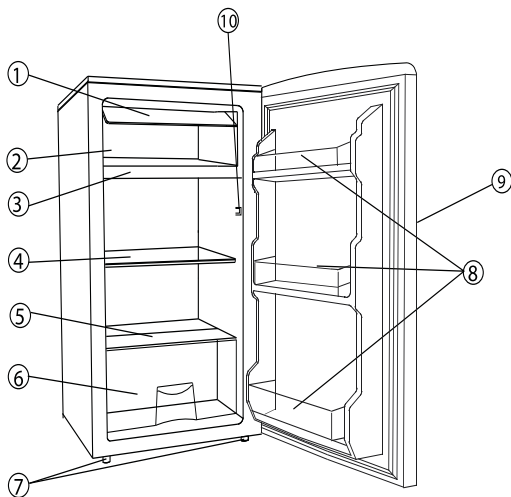
Umístěním značky **CE** na tento produkt jsme potvrdili shodu se všemi příslušnými požadavky evropské bezpečnosti, ochrany zdraví a životního prostředí, které jsou v právních předpisech platné pro tento produkt.

ÚSPORA ENERGIE

- Pro úsporu energie doporučujeme:
- Umístit spotřebič v době větrané místnosti mimo dosah zdrojů tepla a chránit jej před přímým slunečním zářením.
- Nevkládat do chladničky teplé jídlo, aby se zabránilo zvýšení vnitřní teploty a následně nepřetržité činnosti kompresoru.
- Neukládejte nadměrné množství potravin, aby bylo zajištěno dostatečné proudění vzduchu.
- Proveďte odmrazení spotřebiče v případě vzniku vrstvy ledu (viz ROZMRAZOVÁNÍ), aby byl zajištěn dostatečný přenos chladu.
- V případě výpadku elektrické energie se doporučuje nechat dvířka chladničky zavřená.
- Otevírejte nebo ponechávejte dvířka spotřebiče otevřená v co nejmenším možném rozsahu.
- Nenastavujte termostat na příliš nízkou teplotu.
- Odstraňte prach ze zadní strany spotřebiče (viz ČIŠTĚNÍ).
- Bez odmrazování (Total No Frost Audy) (s displejem na dvířkách): vyjměte v všechny koše z mrazničky;
- Bez odmrazování (Total No Frost) (s vnitřním uživatelským rozhraním pro chladničku a knoflíkovým ovladačem pro mrazničku): vyjměte koše z mrazničky, ale ponechte tam dolní zásuvku.
- Beznámrazový model: vyjměte koše z mrazničky, ale ponechte tam dolní zásuvku.
- Všechny normální statické modely: vyjměte všechny koše z mrazničky.

1. Popis spotřebiče

Části a funkce



- ① Dviřka mrazícího prostoru
- ② Prostor s minusovou teplotou
- ③ Odkapávací zásobník
- ④ Příhrádky chladničky
- ⑤ Skleněný kryt
- ⑥ Zásuvka
- ⑦ Nastavitelné nožičky
- ⑧ Příhrádky dvířek
- ⑨ Rukojeť
- ⑩ Spínač osvětlení

POZOR!



VYSOKÉ NAPĚTÍ

Nesnímejte kryty!

Uvnitř je vysoké napětí

2. Správné umístění

Dobré větrání

Pro odvod tepla, vysokou účinnost a nízkou spotřebu energie je potřebné dobré větrání. Proto nechejte kolem chladničky dodatečný volný prostor. Ze zadní strany nejméně 100 mm od stěny, po stranách spotřebiče nejméně 100 mm a z horní strany spotřebiče nejméně 200 mm. Volný prostor potřebný pro otevření dveří by měl být 160°.

Napájení

Chladnička je vhodná na jednofázový střídavý proud (220-240)V~/50Hz;230V~/60Hz. Pokud je kolísání proudu v různých zemích mimo uvedený rozsah, z důvodu bezpečnosti aplikuje automatický napěťový regulátor. Chladnička musí obsahovat speciální vidlici přívodního kabelu namísto standardního. Její konektor musí odpovídat zásuvce s uzemňovacím vodičem.

Přívodní kabel

Kabel nesmí být prodlužován ani smotán do cívky během provozu. Dbejte na to, aby se přívodní kabel nedotýkal kompresorů na zadní stěně spotřebiče, protože povrch může být horký během provozu a kontakt s kabelem může poškodit izolaci a způsobit zkrat.

Ochrana proti vlhkosti

Neumísťujte chladničku na místa, kde je vysoký obsah vlhkosti, zabráníte tím možné korozi kovových částí. Spotřebič nesmí být vystaven vodě, protože to způsobí nesprávnou izolaci a zkrat.

Ochrana před teplem

Spotřebič by měl být umístěn mimo zdroje tepla a přímého slunečního záření.

Vyvážení

Povrch, na kterém bude stát spotřebič musí být pevný a rovný. Nedoporučujeme žádný měkký povrch. Pokud není spotřebič vyvážen, přizpůsobte jej pomocí nastavitelných nožiček.

Zabraňte nebezpečí

Neumísťujte spotřebič do blízkosti hořlavých látek jako je plyn, benzín, alkohol, lak, amylacetát, atd. Tyto předměty nekládejte do spotřebiče.

Přemísťování

Při přemísťování spotřebiče jej nenaklánějte horizontálně ani do úhlu pod 45°.

3. Upozornění

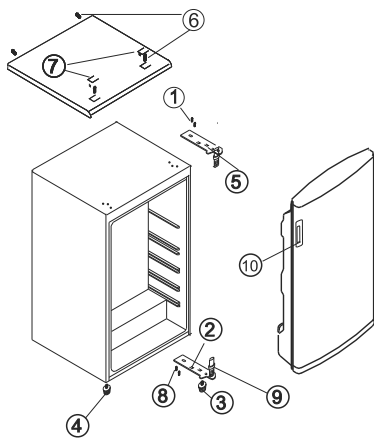
- Voda obsažená v potravinách nebo ve vzduchu se dostává do chladničky při otevření dveří a způsobuje formování námrazy, ovlivňuje správný chod chladničky v případě silné vrstvy. Když je silnější než 2 mm, musíte chladničku odmrazit.
- Odmrazování chladničky se provádí manuálně. Před odmrazováním vyjměte potraviny, zásobník ledu a dočasně uložte na chladné místo, poté nastavte ovladač teploty do pozice „0“ (kompresor přestane pracovat) a nechejte otevřené dvířka, dokud se led a námraza nerozpustí na dno chladničky. Vodu utřete jemným hadrem. V případě urychlení odmrazování můžete umístit nádobu s horkou vodou (přibližně 50°C) do vnitřního prostoru chladničky. Po odmrazení nezapomeňte nastavit ovladač teploty do původní pozice.

- Není vhodné odmrázovat chladničku přímo horkou vodou nebo fenem na vlasy, protože můžete poškodit vnitřní prostor.
- Neodstraňujte led a námrazu ani neoddělujte potraviny, které jsou zmrazené dohromady, ostrými předměty nebo dřevěnými hůlkami, protože můžete poškodit vnitřní prostor chladničky nebo výparníku.
- Pokud je poškozen přírodní kabel spotřebiče, musí jej vyměnit servisní technik.

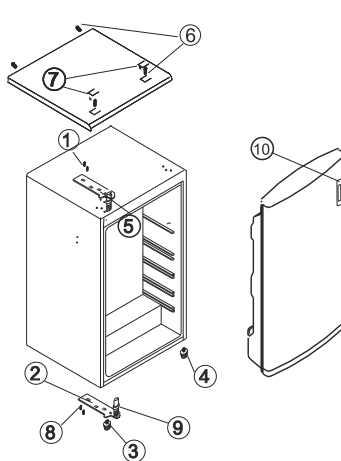
4. Pokyny ke změně směru otevírání dveří

Chladnička je dodávána se závěsy dveří na pravé straně. Pokud chcete změnit směr otvírání, postupujte podle následujících pokynů:

1. Sundejte malý plastový kryt (7) a šrouby (6) upevňující pracovní desku.
2. Vyjměte dva šrouby (1), které drží horní závěs (5) (pravá strana) na chladničce. Sejměte horní závěs (5).
3. Nadzvedněte dveře a uložte je na měkký podklad, aby se nepoškrábaly.
4. Vyjměte dva šrouby (8), které drží spodní závěs (2) a sejměte spodní závěs (2).
5. Vyjměte přední levou nožičku (4) a přeložte ji na pravou stranu.
6. Před nasazením spodního závěsu (2) vyjměte kolík (9) a otočte směr spodního závěsu (2). Instalujte spodní závěs (2) na levou spodní stranu chladničky pomocí dvou šroubů (8).
7. Vsuňte kolík (9) do spodního závěsu (2).
8. Nasadte dveře na spodní závěs (2)
9. V uzavřené pozici dveří upevněte horní závěs (5) v horní levé části chladničky dvěma šrouby (1). Neutahujte dva šrouby (1), dokud nejsou dveře srovnány s horním panelem spotřebiče.
10. Instalujte pracovní desku na skříňku spotřebiče pomocí šroubů (6) a nasadte malý plastový kryt (7).
11. Přemontujte rukojeť (10) z levé na pravou stranu.



OBRÁZEK 1



OBRÁZEK 2

Obrázek 1: představuje pozici komponentů před výměnou závěsu dveří.
Obrázek 2: představuje pozici komponentů po změně závěsu dveří.

5. Odstranění případných problémů

1. Pokud chladnička nepracuje:
Zkontrolujte, zda není výpadek proudu.
Zkontrolujte, za je vidlice přívodního kabelu připojena k elektrické zásuvce.
Zkontrolujte, zda není vypálena pojistka.
2. Pokud chladnička příliš chladí:
Ovladač nastavení teploty je nastaven na vysokou hodnotu.
Pokud umístíte potraviny s velkým množstvím vlhkosti přímo pod výstup chladného vzduchu, rychle namrznou. Toto neznamená poruchu.
3. Pokud chladnička dostatečně nechladí:
Potraviny jsou baleny příliš těsně při sobě, což brání proudění chladného vzduchu.
Vložili jste něco horkého nebo velké množství do chladničky.
Dveře nejsou zavřené správně.
Těsnění dveří je poškozené.
Chladnička není větraná.
Je nedostatečný prostor mezi chladničkou a stěnami kolem spotřebiče a nad spotřebičem.
Nastavení teploty je nesprávné.
4. Při rozmrazování voda teče po vnitřku chladničky a na podlahu:
Zkontrolujte, zda není odtoková hadička ucpaná.
Zkontrolujte, zda je odkapávací zásobník umístěn správně.
5. Když se tvoří kondenzace na vnějších stěnách chladničky:
Kondenzace se může tvořit na vnějších stranách, když je vysoká vlhkost, například během vlhkého ročního období. Toto je stejný výsledek, jako když nalijete studenou vodu do sklenice. Nejedná se o závadu, proto vlhkost pouze otřete suchým hadrem.
6. Když slyšíte zvuk, jako když teče voda:
Zvuk tekoucí vody představuje tok chladicí náplně. Nejedná se o závadu.
7. Když se hřejí stěny chladničky:
Boční panel spotřebiče se ohřívá, pokud se dveře otevírají příliš často, při spuštění spotřebiče a když spotřebič pracuje v létě při vysoké okolní vlhkosti. V takovém případě se nedotýkejte panelu, je to výsledkem odvodu tepla zevnitř spotřebiče a nejedná se o poruchu chladničky.

6. Technické údaje

*Pro podrobnější technické informace viz výrobní štítek na zadním panelu chladničky.

*Právo na změnu technických údajů vyhrazené.

Дякуємо за те, що придбали цей прилад.

Перед використанням холодильника уважно прочитайте цю інструкцію з експлуатації, щоб максимально підвищити його продуктивність. Збережіть усю документацію для подальшого використання або для майбутніх власників. Цей прилад призначений лише для домашнього використання або для аналогічного застосування, наприклад:

- в кухонній зоні для персоналу в магазинах, офісах та інших робочих приміщеннях
- на фермах, для клієнтів готелів, мотелів та інших установ житлового типу
- в готелях типу "ліжко і сніданок"
- для закладів громадського харчування та аналогічних установ, що не призначені для роздрібної торгівлі.

Цей прилад слід використовувати лише для зберігання продуктів харчування, будь-яке інше застосування вважається небезпечним і виробник не несе відповідальності за будь-яку недбалість. Ми також рекомендуємо взяти до уваги гарантійні умови.

ІНФОРМАЦІЯ ЩОДО БЕЗПЕКИ

Холодильник містить газоподібний холодоагент (R600a: ізобутан) та ізоляційний газ (циклопентан), які не мають шкідливого впливу на навколишнє середовище, проте є легкозаймистими.

Ми рекомендуємо вам дотримуватись наступних правил, щоб уникнути небезпечних ситуацій:

Перед виконанням будь-яких дій витягніть шнур живлення з розетки.

- Холодильна система, що розташована позаду та всередині приладу, містить холодоагент. Тому, будьте обережними, щоб не пошкодити трубки.
- Якщо в холодильній системі виявлено витік, не торкайтесь розетки та не використовуйте відкрите полум'я. Відчиніть вікно та провітріть кімнату. Після цього зателефонуйте в сервісний центр та подайте запит на ремонт.
- Не використовуйте ніж або гострі предмети для того, щоб позбутися інею чи льоду. Таким чином можна пошкодити контур холодоагенту, розлив якого може спричинити пожежу або пошкодити очі.
- Не встановлюйте прилад у вологих, жирних або забруднених місцях, а також не піддавайте його впливу прямих сонячних променів і води.
- Не встановлюйте прилад поблизу обігрівачів або легкозаймистих матеріалів.
- Не використовуйте подовжувачі чи адаптери.
- Не застосовуйте надмірну силу при витягуванні чи складанні шнура живлення, а також не торкайтесь вилки мокрими руками.
- Не пошкодьте вилку та/або шнур живлення, оскільки це може призвести до ураження електричним струмом або спричинити пожежу.

- Рекомендується тримати вилку в чистоті, оскільки надмірний бруд на ній може спричинити пожежу.
- Не використовуйте механічні пристрої чи інше обладнання, щоб пришвидшити процес розморожування.
- У жодному разі не використовуйте відкритого полум'я або електрообладнання, такого як обігрівачі, парові очисники, свічки, масляні лампи тощо, щоб пришвидшити процес розморожування.
- Не використовуйте та не зберігайте легкозаймисті аерозолі, такі як аерозольна фарба, біла прилада, оскільки це може спричинити вибух чи пожежу.
- Не використовуйте електрообладнання всередині відсіків для зберігання їжі, якщо воно не відповідає типу, рекомендованому виробником.
- Не розмішуйте та не зберігайте легкозаймисті та надзвичайно леткі речовини, такі як ефір, бензин, ЗНГ, пропан, аерозольні баночки, клеї, чистий спирт тощо. Ці матеріали можуть спричинити вибух.
- Не зберігайте ліки чи матеріали для досліджень у цьому приладі. У разі зберігання матеріалу, який вимагає жорсткого контролю температури зберігання, він може зіпсуватися або призвести до неконтрольованої реакції, яка може спричинити певні ризики.
- Не прикривайте вентиляційні отвори в корпусі приладу або у вбудованій конструкції.
- Не розмішуйте предмети та/або контейнери, наповнені водою, зверху приладу.
- Не намагайтеся самостійно полагодити прилад. Усі дії повинні виконуватися лише кваліфікованим персоналом.
- Даний пристрій може використовуватися дітьми віком від 8 років та особами з обмеженими фізичними, сенсорними або розумовими здібностями, а також особами без необхідного досвіду та знань, якщо вони перебувають під наглядом або отримали інструкції щодо безпечного використання пристрою і розуміють можливу небезпеку.
- Не дозволяйте дітям гратися з приладом. Дітям забороняється виконувати очищення та обслуговування приладу без нагляду дорослих.

УТИЛІЗАЦІЯ СТАРИХ ПРИЛАДІВ



Даний прилад має маркування відповідно до Директиви ЄС 2012/19/EU щодо відходів електричного та електронного обладнання (ВЕЕО).

ВЕЕО містять як забруднюючі речовини (які можуть викликати негативні наслідки для навколишнього середовища), так і основні компоненти (які можуть бути повторно використані).

Важливо піддати ВЕЕО певним процедурам, щоб усунути та утилізувати належним чином усі забруднюючі речовини, а також дістати та переробити всі матеріали. Фізичні особи можуть відігравати важливу роль у забезпеченні того, щоб ВЕЕО не стали проблемою для навколишнього середовища; необхідно дотримуватися певних основних правил:

- ВЕЕО не слід поміщати разом з побутовими відходами.
- ВЕЕО повинні бути передані у відповідні пункти збору під управлінням міської влади або зареєстрованих компаній. У багатьох країнах, для великих ВЕЕО, можливий збір вдома.

У багатьох країнах, коли ви купуєте новий прилад, старий може бути повернений у точку роздрібної торгівлі, яка повинна безкоштовно забрати його за принципом один до одного, за умови якщо це аналогічне обладнання, яке має ті ж функції, що й новий прилад.

Європейська відповідність (CE)

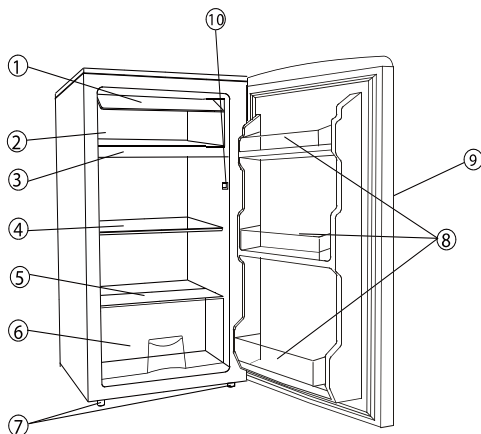
Розміщуючи позначку **CE** на цьому продукті, ми підтверджуємо відповідність усім європейським нормам безпеки, охорони здоров'я та екологічним вимогам, які передбачені законодавством для цього продукту.

ЕНЕРГОЗБЕРЕЖЕННЯ

Для ефективного енергозбереження ми рекомендуємо:

- Встановити прилад подалі від джерел тепла, в добре провітрюваному приміщенні, яке не піддається впливу прямих сонячних променів.
- Не ставте гарячу їжу в холодильник, оскільки це може призвести до підвищення внутрішньої температури, а отже, спричинити безперервне функціонування компресора.
- Не поміщайте надмірну кількість їжі, щоб забезпечити належну циркуляцію повітря.
- Розморозуйте прилад при наявності льоду (див. РОЗМОРОЖЕННЯ), щоб полегшити поширення холоду.
- За відсутності електроенергії рекомендується не відчиняти двері холодильника.
- Відчиняйте двері холодильника якомога рідше та не залишайте їх відчиненими впродовж тривалого часу.
- Не задавайте надто низьких температур на термостаті.
- Витріть пил із задньої частини приладу (див. ОЧИЩЕННЯ).
- Total no frost Audy (із дисплеєм на дверцятах): витягніть усі ящики з морозильної камери.
- Total no frost (із внутрішнім інтерфейсом користувача для холодильника та регулятором для морозильної камери): витягніть інші ящики з морозильної камери, але залиште нижній ящик на своєму місці.
- Модель Frost free: витягніть інші ящики з морозильної камери, але залиште нижній ящик на своєму місці.
- Усі звичайні статичні моделі: витягніть усі ящики з морозильної камери.

1. ОПИС ПРОДУКТУ



1. Дверцята морозильної камери.
2. Морозильна камера
3. Резервуар для стоку води
4. Полиці холодильного відділення
5. Скляна полиця над ящиком для овочів
6. Ящик для овочів
7. Ніжки, що регулюються
8. Дверні полиці
9. Ручка
10. Дверний вимикач

2. ПРАВИЛЬНЕ ВСТАНОВЛЕННЯ

Належна вентиляція

При встановленні приладу слід забезпечити хорошу вентиляцію повітря, це забезпечить вищу продуктивність роботи та знизить споживання електроенергії. Відстань між стіною та холодильником має бути не менша ніж 100 мм, бокова відстань між іншими предметами також має перевищувати 100мм, зверху відстань має бути не менше ніж 200 мм. Також слід залишити простір для відкриття дверцят 160°.

Електричне під'єднання

Під'єднайте прилад до мережі з напругою 220-240Вт і частотою 50Гц. або 230Вт і частотою 60Гц.

Перш ніж під'єднати прилад до мережі електроживлення слід упевнитися, що значення напруги на щитку відповідає напрузі електричної мережі у Вашому помешканні.

Шнур живлення

Не використовуйте адаптери та подовжувачі, які можуть зумовити перегрівання і навіть займання приладу. Прослідкуйте, щоб шнур не торкався до компресора, температура якого є досить високою. Це може спричинити пошкодження ізоляції .

Захист від вологи

Задля запобігання появи корозії, не ставте прилад в приміщенні з високим рівнем вологи. Забороняється виливати воду на прилад, щоб не було короткого замикання.

Захист від перегрівання

Слід уникати високої температури та прямого сонячного світла. Рекомендуємо встановлення пристрою в холодному, сухому, добре провітрюваному приміщенні. Установка близько до джерела тепла (обігрівачів, плит і т.д.) є категорично неправильною (оскільки це призведе до перенавантаження компресора, а відповідно до значного підвищення споживання електроенергії).

Належна фіксація

Встановіть прилад на горизонтальній поверхні у стабільне та рівне положення. З цією метою слід використати дві передні ніжки, які допомагають знівелювати нерівності підлоги.

Подальше від небезпеки

Не рекомендовано встановлювати прилад біля таких легкозаймистих речовин, як газовий балон, канистра з бензином, резервуар з пальмовою олією і т.д.

Транспортування

При транспортуванні холодильник не можна нести в горизонтальному положенні або під нахилом більше ніж 45°, або догори низом.

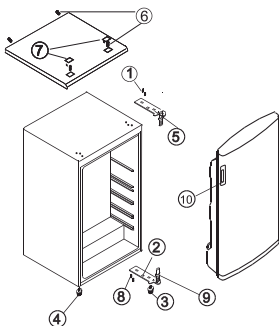
3. УВАГА!

- ❖ Волога, яка міститься всередині продуктів чи яка потрапляє в середину при відкриванні дверцят, може утворювати іній на стінках холодильника. Товстий шар льоду може зменшити ефективність роботи приладу. Коли наліт буде більше 2 мм, холодильник слід розморозити.
- ❖ Рекомендується розморозувати холодильник кожен раз, коли утворюється товстий шар інею. Для прискорення процесу розморозування залиште дверцята холодильника відкритими, а саму техніку вимкніть. Для видалення льоду з внутрішньої частини не використовуйте гострі або механічні предмети (ножі, ножиці або будь-які інші предмети, крім рекомендованих заводом-виробником). Це допоможе запобігти пошкодженню контуру циркуляції хладагенту.
ПРИМІТКА: невелика кількість льоду на задній панелі холодильника є нормальним явищем.
- ❖ Не рекомендовано при розмороженні морозильної камери використовувати гарячу воду чи фен, це може призвести до деформації внутрішніх частин камери.
- ❖ Завжди витягуйте мережевий штепсель з розетки, перед тим як почати чистити/розморозувати холодильник, або перед тим як змінити лампочку і т.д.
- ❖ У разі пошкодження мережевого шнуру, його необхідно замінити, звернувшись до виробника, сервісного агента або персоналу аналогічної кваліфікації. Це забезпечить уникнення негативних наслідків.

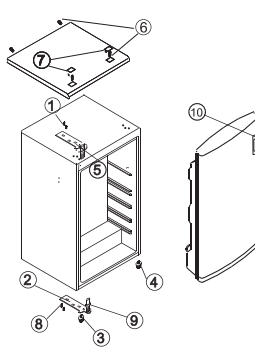
4. ПЕРЕНАВІШУВАННЯ ДВЕРЦЯТ

На заводі дверні петлі встановлюються з правої сторони, для того що змінити напрямок відкривання дверцят виконайте наступні дії:

1. Вийміть пластикові заглушки (7) та гвинти (6), які фіксують верхню кришку.
2. Відгвинтіть два гвинта (1), що фіксують верхню петлю (5). Зніміть петлю.
1. Припідніміть дверцята та підтримуйте, щоб вони не подрпалися.
2. Відгвинтіть два гвинта (8), які тримають нижню петлю (2). Зніміть петлю.
3. Зніміть ліву передню ніжку (4) і перемістіть її на праву сторону.
4. Перед встановленням нижньої петлі (2) зніміть фіксуючий гвинт (9) і змініть напрямок петлі. Потім встановіть нижню петлю (2) з іншої сторони на пригвинтіть гвинтом (8).
5. Вставте фіксуючий гвинт (9) в нижню петлю (2).
6. Встановіть дверцята, переконавшись, що вони зафіксовані ні нижній петлі.
7. Підтримуючи дверцята та встановіть верхню петлю (5), зафіксуйте петлю гвинтами (1).
8. Встановіть верхню кришку за допомогою гвинтів (6). Та вставте заглушки (7).
9. Перевісьте дверну ручку (10).



Мал. 1



Мал. 2

На малюнку 1 зображено початковий етап.

На малюнку 2 зображено завершальний етап.

5. Усунення несправностей

Якщо у Вас виникли будь-які труднощі, будь ласка, зв'яжіться з нашою сервісною службою. Проте невеликі або очевидні несправності часто можна вирішити самостійно. Насправді, несправності можуть бути викликані неправильним використанням або установкою або непридатними зовнішніми умовами, і в цих випадках відповідальність за усунення несправностей залишається за Вами.

ХОЛОДИЛЬНИК НЕ ПРАЦЮЄ

- Переконайтеся, що мережевий штепсель вставлений в розетку до кінця.
- Переконайтеся, що терморегулятор не встановлений в положенні «0» або Стоп.
- Переконайтеся, що є електроживлення.

ТЕМПЕРАТУРА В ХОЛОДИЛЬНИКУ НЕДОСТАТНЬО НИЗЬКА

- Переконайтеся, що терморегулятор встановлений правильно. Встановіть більш низьку температуру.
- Переконайтеся, що двері холодильника не були залишені відкритими надто довго.
- Переконайтеся, що Ви не зберігаєте занадто багато продуктів у холодильнику.
- Переконайтеся, що Ви не поклали гарячі продукти в холодильник.

ЗАНАДТО БАГАТО ІНЕУ

- Переконайтеся, що двері холодильника не були залишені відкритими надто довго. Вимкніть холодильник, розморозьте, а потім увімкніть його знову.
- Переконайтеся, що терморегулятор не встановлений на занадто низькій температурі. Встановіть більш високу температуру.

ЗАНАДТО БАГАТО КОНДЕНСАЦІЇ

- Переконайтеся, що двері холодильника не були залишені відкритими надто довго.
- Переконайтеся, що Ви не зберігаєте занадто багато продуктів у холодильнику.
- Переконайтеся, що Ви не поклали гарячі продукти в холодильник.

ВОДА В МОРОЗИЛЬНІЙ КАМЕРІ

- Кілька крапель води на стінках холодильника є нормальним явищем, особливо якщо в кімнаті підвищена вологість.
- Переконайтеся, що відливний отвір не заблоковано.

ОСВІТЛЕННЯ НЕ ПРАЦЮЄ

- Переконайтеся, що мережевий штепсель вставлений в розетку до кінця.
- Переконайтеся, що є електроживлення.
- Щоб зняти лампочку, дотримуйтесь інструкцій, що містяться в технічному описі приладу або в даному керівництві.

Якщо проблема не була усунена, зверніться в нашу сервісну службу, вказавши номер приладу і серійний номер з таблички технічних даних.

6. ТЕХНІЧНІ ДАНІ

*Деталі щодо технічних особливостей приладу, можна знайти на табличці на задній стінці холодильника.

* Виробник має право вдосконалювати технічні особливості не попереджаючи про це .

Шановні клієнти, разом з інструкцією по експлуатації, ми рекомендуємо прочитати вказівки зазначені в цьому інформаційному листі. Тут вказана інформація з техніки безпеки та користування шкалою температури повітря. Якщо в Вашому приладі бракує шкали температури повітря зверніться до продавця.

1. Найхолодніша зона в холодильному відділенні

Даний символ позначає найхолоднішу зону в холодильному відділенні

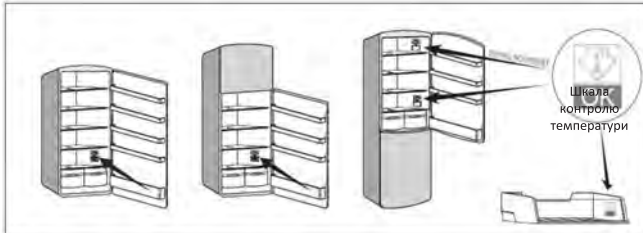


2. Індикатор температури повітря

Щоб допомогти Вам правильно налаштувати Ваш холодильник, ми додаємо шкалу регулювання температури, яка буде визначати температуру в зоні, яка має бути найхолоднішою.

УВАГА: Індикатор був розроблений для застосування тільки в даній моделі. Його не можливо використовувати в інших холодильниках, чи для якихось інших цілей.

ЗОНА КОНТРОЛЮ ТЕМПЕРАТУРИ



КОНТРОЛЬ ТЕМПЕРАТУРИ

Використовуючи регулятор температури повітря у Вас буде можливість постійно контролювати, щоб температура самої холодної була на належному рівні. Якщо шкала нічого не показує, то необхідно змінити положення термостата.

Температура в кімнаті та частота відкривання холодильного відділення впливають на температуру в середині холодильника.

Щоб підтримувати потрібну температуру, слідкуйте за тим, щоб шкала була зеленого кольору. (мал.1)

Якщо шкала контролю температури стала білого кольору (мал.2), це означає, що температура надто висока. Потрібно переналаштувати термостат і через 12 годин перевірити шкалу ще раз.

Після вимкнення приладу з мережі або при відкритих дверцятках шкала почне біліти.



Мал. 1



Мал. 2

3. ПРАВИЛА ЗБЕРІГАННЯ ПРОДУКТІВ ТА ПРАВИЛА КОРИСТУВАННЯ ХОЛОДИЛЬНИКОМ

Правильне користування холодильником, збільшить термін зберігання ваших продуктів.

Для уникнення появи бактерій регулярно протирайте в середині холодильного відділення м'якою тканиною та водою з додаванням антибактеріальних речовин.

Перш ніж покласти продукти до холодильника, завжди знімайте зовнішню упаковку (наприклад картонну упаковку з йогуртів). Щоб уникнути взаємного забруднення завжди обгортайте кожен продукт окремо плівкою.

Ніколи не кладіть до холодильника кухонне приладдя, яким вже користувалися і не помили (наприклад ножі, виделки на яких є шматочки їжі).

Покладіть продукти так, щоб забезпечити належну циркуляцію повітря.

Продукти розміщайте відповідно від їх природного походження та особливостей. В зону найбільшого охолодження слід класти наступні продукти: м'ясо, птиця, сосиски, приготовані страви, салати, яйця, молочні продукти, тісто, піца, сир, овочі та всі ті продукти, які мають зберігатися при температурі +4° або нижче.





Безпека дітей та людей з обмеженими можливостями

Українська:

Даний пристрій не призначений для використання особами (дітьми) з обмеженими фізичними, чуттєвими або психічними можливостями, або особами, які не мають досвіду або не ознайомлені з пристроєм, експлуатація може відбуватися під наглядом або згідно з інструкцією експлуатації пристрою, переданої особами, які відповідають за їхню безпеку.

Слід звертати увагу на дітей, щоб вони не гралися з пристроєм.



Обережно: ризик займання

Якщо у Вашій моделі використано холодоагент ізобутан R600a (інформація знаходиться на щитку всередині приладу), який є природним та нешкідливим для навколишнього середовища, проте легкозаймистим газом, потрібно дотримуватися заходів безпеки під час транспортування та монтажу приладу таким чином, щоб не пошкодити жодний з елементів охолоджувального контуру. Якщо, незважаючи на запобіжні заходи, трапиться пошкодження, то необхідно уникати відкритого полум'я та джерел займання, а також провітрити приміщення на декілька хвилин.

УВАГА – не зберігайте в холодильнику вибухонебезпечні предмети, такі як аерозолі.

Vă mulțumim că ați cumpărat acest produs.

Înainte de a utiliza frigiderul, citiți cu atenție acest manual de instrucțiuni pentru a obține o performanță maximă. Păstrați toate documentele pentru o utilizare ulterioară sau pentru alți proprietari ai produsului. Acest produs este destinat exclusiv uzului casnic sau unor aplicații similare, cum ar fi:

- zona de bucătărie pentru angajații unui magazin, birou sau altor medii de lucru;
- în ferme, de către clienții hotelurilor, motelurilor sau altor medii de tip rezidențial;
- la unități de cazare cu mic dejun inclus (bed and breakfast -B&B)
- Pentru servicii de catering și aplicații similare și nu pentru vânzarea cu amănuntul.

Aparatul trebuie utilizat doar pentru a depozita alimente și orice altă utilizare este considerată periculoasă, iar producătorul nu va fi răspunzător pentru nicio omisiune. De asemenea se recomandă să citiți condițiile privind garanția.

Frigiderul conține un gaz de răcire (R600a: izobutan) și un gaz izolant (ciclopentan), care nu afectează în niciun fel mediul dar care sunt inflamabile.

Vă recomandăm să respectați următoarele reguli pentru a evita situațiile care vă pot pune în pericol:

Înainte de a efectua orice operație, scoateți cablul de alimentare din priza de curent.

- **Sistemul de răcire amplasat în spatele și în interiorul aparatului conține un agent de răcire. Prin urmare, evitați deteriorarea țevelor.**
- **Dacă se observă o scurgere în sistemul de răcire, nu atingeți priza de perete și nu folosiți flacăra deschisă. Deschideți fereastra și lăsați aerul curat să pătrundă în încăpere. Apoi apelați un centru de service pentru a solicita repararea aparatului.**
- **Nu folosiți cuțite sau alte obiecte ascuțite pentru a îndepărta gheața formată. Acestea pot deteriora circuitul de răcire, iar scurgerea acestuia poate duce la apariția unui incendiu sau vă poate afecta ochii.**
- **Nu instalați aparatul în locuri cu umezeală, grăsime sau praf și nu îl expuneți la razele directe ale soarelui sau la apă.**
- **Nu instalați aparatul în apropierea radiatoarelor sau materialelor inflamabile.**
- **Nu folosiți prelungitoare sau adaptoare.**
- **Nu trageți excesiv de cablul de alimentare, nu îl îndoiiți și nu atingeți ștecherul cu mâinile ude.**
- **Nu deteriorați ștecherul și/sau cablul de alimentare, deoarece astfel se pot produce electrocutări sau incendii.**
- **Se recomandă să mențineți ștecherul curat; orice reziduuri excesive de praf de pe acesta pot conduce la apariția unui incendiu.**
- **Nu utilizați dispozitive mecanice sau alte echipamente pentru a grăbi procesul de dezghețare.**

- Evitați sub orice formă utilizarea flăcării deschise sau a echipamentelor electrice, cum ar fi radiatoare, aparate de curățat cu aburi, lumânări, lămpi cu petrol și altele pentru a grăbi etapa de dezghețare.
- Nu utilizați și nu depozitați sprayuri inflamabile, cum ar fi sprayurile cu vopsea, în apropierea aparatului, deoarece ar putea produce o explozie sau un incendiu.
- Nu utilizați aparatură electrocasnică în interiorul compartimentelor de depozitare a alimentelor, cu excepția cazului când aparțin categoriei recomandate de către producător.
- Nu așezați și nu depozitați materiale inflamabile sau foarte volatile, ca de exemplu eter, benzină, GPL, gaz propan, recipiente pentru pulverizare cu aerosoli, adezivi, alcool pur etc. Aceste materiale pot produce o explozie.
- Nu depozitați medicamente sau materiale de cercetare în aparatul electrocasnic. Atunci când trebuie depozitat un material care necesită un control strict al temperaturii de depozitare, este posibil ca acesta să se deterioreze sau să aibă loc o reacție necontrolată care să implice riscuri.
- Nu obstrucționați orificiile de ventilație din carcasa aparatului sau din structura incorporabilă.
- Nu așezați obiecte și/sau recipiente umplute cu apă pe partea superioară a aparatului.
- Nu efectuați reparații asupra acestui aparat electrocasnic. Toate intervențiile trebuie efectuate doar de către personal calificat.
- Acest aparat poate fi folosit de copii cu vârste de peste 8 ani și de persoane cu abilități fizice, senzoriale sau mentale sau lipsite de experiență și cunoștințe doar dacă sunt supravegheate sau instruite corespunzător cu privire la utilizarea în siguranță a aparatului și dacă înțeleg pericolele aferente.
- Este interzis copiilor să se joace cu acest aparat. Curățarea și întreținerea efectuate de către utilizator nu se vor face de către copii fără a fi supravegheați

CASAREA APARATULUI VECHI



Prezentul aparat este marcat în conformitate cu Directiva europeană 2012/19/UE privind Deșeurile de echipamente electrice și electronice (DEEE). DEEE conțin atât substanțe poluante (care au consecințe negative asupra mediului), cât și componente de bază (care pot fi refolosite). Este important ca DEEE să fie supuse unor tratamente specifice, pentru a elimina corect toate elementele poluante și pentru a recupera și recicla toate materialele. Persoanele joacă un rol important, asigurându-se că DEEE nu devin o problemă de mediu; este foarte important să respectați anumite reguli de bază:

- DEEE nu trebuie tratate ca deșeuri menajere;
- DEEE trebuie trimise la punctele de colectare corespunzătoare, gestionate de primării sau de companiile autorizate. În numeroase țări, pentru DEEE mari este posibilă colectarea de la domiciliu.

În multe țări, atunci când cumpărați un aparat electrocasnic nou, cel vechi poate fi returnat distribuitorului, care trebuie să îl colecteze gratuit la schimb, în măsura în care echipamentul este de tip similar și are aceleași funcții cu echipamentul livrat.

Conformitatea cu CE

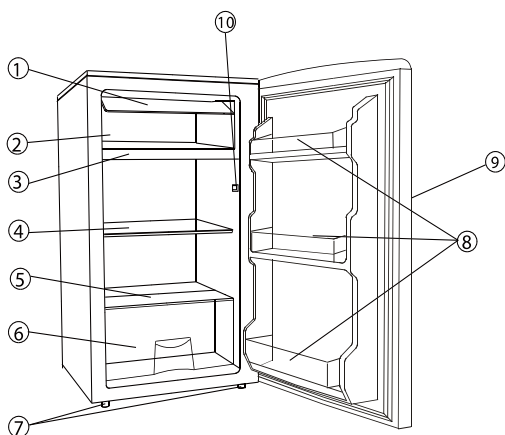


Prin amplasarea marcatului **CE** pe acest produs, confirmăm faptul că îndeplinim toate cerințele europene relevante privind siguranța, sănătatea și mediul, aplicabile în legislația referitoare la acest produs.

ECONOMIA DE ENERGIE

- Pentru o mai bună economisire a energiei, vă recomandăm:
- Să instalați aparatul departe de sursele de căldură, să nu fie expus la razele directe ale soarelui și să fie amplasat într-un spațiu bine ventilat.
- Să evitați să puneți alimente fierbinți în frigider pentru a evita creșterea temperaturii din interior și, prin urmare, să determinați funcționarea continuă a compresorului.
- Să nu introduceți cantități excesive de alimente, pentru a permite o bună circulație a aerului.
- Să dezghețați aparatul dacă se formează gheață (a se vedea DECONGELAREA), pentru a facilita transferul aerului rece.
- Dacă apare o pană de curent, se recomandă să mențineți închisă ușa frigiderului.
- Să deschideți sau lăsați deschise ușile aparatului cât mai puțin timp posibil.
- Să evitați să reglați setările pentru temperatură pe valori prea mici.
- Să îndepărtați praful din partea posterioară a aparatului (a se vedea CURĂȚAREA).
- Total no frost Audy (cu afișaj pe ușă): îndepărtați toate coșurile din compartimentul congelator;
- Total no frost (cu interfață internă cu utilizatorii pentru frigider și buton pentru congelator): îndepărtați toate coșurile din compartimentul congelator, însă mențineți poziția sertarului inferior.
- Model fără gheață: îndepărtați restul coșurilor din compartimentul congelator, însă mențineți poziția sertarului inferior.
- Toate modelele statice normale: îndepărtați toate sertarele din compartimentul congelator.

PĂRȚI COMPONENTE ȘI CARACTERISTICI



1. Ușă compartiment temperatura negativa
2. Compartiment temperatura negativa de 1 *
3. Tavă colectoare
4. Rafturi frigider
5. Capac de sticlă
6. Cutie pentru fructe și legume
7. Picioare reglabile
8. Rafturi pe ușă
9. Mâner
10. Sistem inchidere ușă

2. Amplasare corectă

Ventilație corespunzătoare

Trebuie asigurată o ventilație corespunzătoare în jurul aparatului astfel încât căldura să se disipeze ușor și să se asigure o refrigerare eficientă și un consum redus de energie. În acest scop, trebuie lăsat un spațiu suficient în jurul frigiderului. Spațiul dintre spatele aparatului și perete trebuie să fie de cel puțin 100mm și distanța de deasupra să fie de cel puțin 200mm. Spațiul din fața aparatului trebuie să permită deschiderea ușii la 160°.

Sursa de alimentare

Aparatul trebuie conectat numai la o priză de curent alternativ monofazic (220-240V ~/50Hz; 230V~/60Hz). În cazul în care fluctuațiile de curent din zona în care locuiți nu se încadrează în limitele menționate mai sus, pentru mai multă siguranță, se recomandă instalarea unui dispozitiv de reglare automată a voltajului. Acest aparat trebuie alimentat de la o priză separată. Priza trebuie să fie prevăzută cu împământare.

Cablul de alimentare

Cablul de alimentare nu trebuie răsucit sau întins prea puternic. Se interzice menținerea cablului de alimentare pe compresorul amplasat în partea din spate a aparatului, deoarece suprafața acestuia este destul de ridicată în timpul funcționării aparatului. Atingerea cablului de alimentare poate duce la dezactivarea izolației sau există pericolul scurgerii de electricitate.

Protecție împotriva umezelii

Evitați amplasarea frigiderului în locuri cu multă umezeală pentru a minimiza posibilitatea ca părțile din metal să ruginescă. În plus, se interzice stropirea cu apă a aparatului pentru a se evita dezactivarea izolației sau pericolul scurgerii de electricitate.

Protecție împotriva căldurii

Frigiderul trebuie amplasat la distanță de orice sursă de căldură și trebuie evitată lumina directă a soarelui.

Amplasare

Suprafața pe care va fi așezat frigiderul trebuie să fie uniformă și stabilă. Aparatul nu trebuie așezat pe materiale moi cum ar fi burete etc. În cazul în care frigiderul nu este așezat la nivel, reglați înălțimea picioarelor frigiderului. Aparatul nu trebuie așezat lângă obiecte care pot produce ecou.

Eliminarea riscurilor

Se interzice amplasarea lângă frigider a unor substanțe volatile sau combustibile cum ar fi gaz, petrol, alcool, lacuri și diluanți etc. Se interzice depozitarea substanțelor mai sus menționate în frigider.

Deplasare

Când este fix sau deplasat, frigiderul nu poate fi așezat pe orizontală sau înclinat la mai mult de 45°.

3. Avertizări

- Apa din alimente sau aerul care pătrunde în interiorul frigiderului prin deschiderea ușii duc la formarea unui strat de gheață în interiorul aparatului. Când grosimea stratului de gheață este mai mare de 2mm, trebuie să decongelezi aparatul.
- Decongelarea compartimentului de temperatura negativă se realizează manual. Înainte de a realiza decongelarea, scoateți alimentele, tava pentru cuburi de gheață și raftul și setați butonul pentru reglarea temperaturii la poziția 0 (compersorul se va opri din funcționare). Lăsați ușa deschisă pentru ca gheața să se topească. Ștergeți apa acumulată în partea de jos a compartimentului cu o lavetă uscată. În cazul în care doriți să accelerați procesul de decongelare, puneți un bol cu apă caldă (circa 50°) în compartiment. După terminarea procesului de decongelare, readuceți butonul pentru setarea temperaturii la poziția originală.
- Nu se recomandă utilizarea de apă fierbinte sau a unui uscător de păr în timpul realizării decongelării pentru a se preveni deformarea părților din interiorul aparatului.
- Se interzice utilizarea unor instrumente ascuțite pentru îndepărtarea stratului de gheață de pe alimente sau de pe pereții frigiderului, pentru a se preveni deteriorarea pereților din interiorul aparatului sau a suprafeței evaporatorului.
- În cazul în care cablul de alimentare este deteriorat, acesta trebuie înlocuit sau reparat numai de către un tehnician de la un centru de service autorizat.

4. Schimbarea sensului de deschidere a ușii

Acest frigider este livrat din fabricație cu balamalele ușii pe partea dreaptă. În cazul în care doriți să modificați sensul de deschidere a ușii, procedați astfel:

1. Scoateți capacele mici de plastic (7) și șuruburile (6) care fixează blatul superior pentru a demonta blatul.
2. Deșurubați ele două șuruburi (1) care mențin balamaua superioară (5) (din partea dreaptă) pe cadru. Scoateți balamaua superioară (5).
3. Ridicați ușa și așezați-o pe o suprafață moale, pentru a preveni zgârierea acesteia.
4. Scoateți cele două șuruburi (8) care mențin balamaua inferioară (2) și scoateți balamaua inferioară (2).
5. Scoateți piciorul din stânga față (4) și transferați-l pe partea dreaptă.
6. Înainte de a fixa balamaua inferioară (2), scoateți bolțul de prindere (9) și inversați direcția balamalei inferioare (2). Apoi, instalați balamaua inferioară (2) pe partea stângă a cadrului inferior cu ajutorul a două șuruburi (8).
7. Introduceți bolțul de prindere (9) în balamaua inferioară (2).
8. Așezați ușa pe poziție, verificând ca ușa să fie fixată pe balamaua inferioară (2).
9. În timp ce ușa se află în poziția închis, fixați balamaua superioară (5) pe cardul superior, în stânga, cu două șuruburi (1). Dorim să vă atragem atenția să nu străbgeți cele două șuruburi (1) decât după ce ușa s-a aliniat cu blatul.
10. Fixați blatul superior cu ajutorul șuruburilor (6) și acoperiți șuruburile cu căpăcelele de plastic (7).
11. Scoateți mânerul ușii (10) și fixați-l din stânga în dreapta.

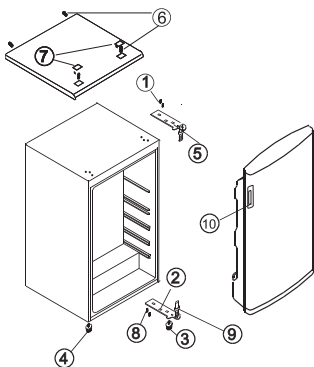


FIGURA 1

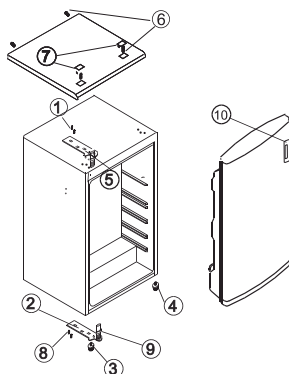


FIGURA 2

FIGURA 1 – POZIȚIA PĂRȚILOR COMPONENTE ÎNAINTE DE SCHIMBAREA SENSULUI DE DESCHIDERE A UȘII

FIGURA 2 – POZIȚIA PĂRȚILOR COMPONENTE DUPĂ SCHIMBAREA SENSULUI DE DESCHIDERE A UȘII

5. Probleme în funcționare

1. Dacă frigiderul nu funcționează
Verificați dacă este o întrerupere a alimentării cu energie.
Verificați dacă ștecherul cablului de alimentare este introdus în priză.
Verificați siguranța.
2. Dacă frigiderul răcește prea puternic.
Este posibil ca butonul pentru setarea temperaturii să fie reglat la o temperatură prea ridicată.
Dacă așezați direct sub orificiile de aer rece alimente care au un conținut mare de apă, acestea se vor congela mai rapid. Aceasta nu este o problemă de funcționare a aparatului.
3. Dacă frigiderul nu răcește suficient.
Pachetele cu alimente sunt prea înghesuite și se blochează fluxul de aer.
Ați introdus alimente calde sau prea multe alimente în frigider.
Este posibil ca ușa să nu fie bine închisă.
Garnitura de etanșare a ușii este deteriorată.
Nu este asigurată o ventilație optimă a aparatului.
Nu este spațiu suficient între frigider și celelalte obiecte din jurul acestuia.
4. Dacă în interiorul frigiderului și pe podea se scurge apă.
Verificați dacă orificiul de evacuare și conducta de evacuare sunt blocate.
Verificați dacă tava colectoare este corect așezată.
5. Dacă se formează condens pe exteriorul frigiderului.
Este posibil ca pe exteriorul frigiderului să se formeze condens atunci când nivelul de umiditate este ridicat, în special în timpul sezonului uscat. La fel se întâmplă și când turnați apă rece într-un pahar. Aceasta nu indică o problemă în funcționarea aparatului. Ștergeți umezeala cu un material textil uscat.
6. Dacă se aude un zgomot ca și cum se scurge apă.
Un astfel de sunet este produs de circulația agentului de refrigerare. Nu este o problemă în funcționarea aparatului.
7. Dacă părțile laterale ale carcasi se încălzesc.
Părțile laterale ale carcasi aparatului de încălzesc atunci când deschiderile sau închiderile ușii sunt frecvente, când puneți aparatul în funcțiune sau în timpul verii, când temperatura ambientală este foarte ridicată. În astfel de situații, nu atingeți părțile laterale. Acest fenomen se produce ca urmare a disipării căldurii din interiorul aparatului și nu reprezintă o problemă în funcționare.

6. Specificații tehnice

* Pentru detalii referitoare la specificațiile tehnice, vă rugăm să verificați plăcuța cu date tehnice fixată în partea din spate a frigiderului.

* Specificațiile pot fi modificate fără o notificare prealabilă.

Zahvaljujemo se vam za nakup tega izdelka.

Preden boste hladilnik začeli uporabljati, prosimo, da pazljivo preberete ta uporabniška navodila in tako zagotovite, da boste izdelek najbolj učinkovito uporabljali. Dokumentacijo shranite, ker je koristna tudi za kasnejšo uporabo. Ta izdelek je namenjen izključno za domačo uporabo ter za naslednje namene:

- čajne kuhinje za osebje v trgovinah, pisarnah in podobnih poslovnih objektih
- na kmetijah, hotelskih sobah, motelih in ostalih nastanitvenih objektih, ki nudijo
- nočitev zajtrkom (B & B)
- za namene nudenja hrane izven obratov ter podobne namene, kjer ne gre za običajno prodajo.

Napravo morate uporabljati le za shranjevanje živil, kajti vsaka drugačna uporaba je lahko nevarna, zato proizvajalec ne prevzema odgovornosti za morebitne neželene posledice. Priporočamo tudi, da se seznanite z garancijskimi pogoji.

VARNOSTNE INFORMACIJE

Hladilnik vsebuje hladilni (R600a: izobuten) ter izolacijski plin (ciklopentan), ki sta možno združljiva z zrakom, zato pa tudi izjemno vnetljiva.

Zaradi preprečevanja nevarnih situacij, priporočamo, da natančno sledite naslednjim določilom:

Pred vsakim posegom na napravi, odklopite napajalni kabel iz vtičnice.

- **V napeljavi hladilnega sistema, ki je na zadnji strani naprave in v njeni notranjosti, je hladilno sredstvo. Zato pazite, da ne boste poškodovali napeljave.**
- **Če opazite puščanje hladilnega sredstva, se nikakor ne dotikajte tega mesta in v nobenem primeru ne uporabljajte odprtega ognja. Odprite okno in prezračite prostor. Nato se s serviserjem posvetujte glede popravila.**
- **Ledu ali ivja, ki se nakopiči nikoli ne odstranjujte z nožem. Pri tem bi namreč lahko poškodovali napeljavo in uhajajoče hladilno sredstvo bi se lahko vnelo ali poškodovalo vaše oči.**
- **Naprave ne nameščajte v vlažne, zamaščene ali prašne predele, niti j ene izpostavljajte neposredni sončni svetlobi ali tekoči vodi.**
- **Naprave ne nameščajte blizu grelnikov ali vnetljivih snovi.**
- **Za priklop naprave ne uporabljajte podaljškov ali adapterjev.**
- **Napajalnega kabla ne raztegujte prekomerno, niti ga pretirano ne upogibajte, vtička pa s ene dotikajte z mokrimi rokami.**
- **Pazite, da vtička ali napajalnega kabla ne boste poškodovali; to bi lahko privedlo do električnega udara ali požara.**
- **Poskrbite, da bo vtičak vedno čist, kajti preveč prahu na njem lahko povzroči požar.**
- **Za pospešitev odmrzovanja nikoli ne uporabljajte mehanskih naprav ali ostale opreme.**
- **V nobenem primeru pa za pospešitev odmrzovanja ne uporabljajte odprtega ognja, električne opreme kot so grelniki, parni čistilniki, sveče, oljne svetilke in podobni pripomočki.**

- V bližini naprave ne uporabljajte ali shranjujte vnetljivih razpršil kot so barve v razpršilu, kajti obstaja nevarnost eksplozije ali požara.
- V predelih za shranjevanje živil ne uporabljajte električnih naprav, razen tistih, ki jih priporoča proizvajalec.
- Na napravo ne postavljajte, niti v njej ne shranjujte vnetljivih in možno hlapljivih snovi kot je eter, bencin, LPG plin, propan, aerosoli v razpršilu, adhezivi, čisti alkohol itd. Te snovi lahko povzročijo eksplozijo.
- V napravi ne shranjujte medicinskih ali raziskovalnih snovi. Snov, ki zahteva natančen nadzor temperature shranjevanja bi se pri shranjevanju v tej napravi lahko začela kvariti ali nekontrolirano reagirati kar bi privedlo do nevarne situacije.
- Prezračevalne odprtine, v ohišju naprave ali vgrajene v napravo, naj bodo vedno čiste in pretočne.
- Na napravo ne postavljajte predmetov in posod napolnjenih z vodo.
- Naprave, ki je v okvari, ne popravljajte sami. Vsak poseg v napravo lahko opravi le ustrezno usposobljeni serviser.
- Otroci, ki so starejši od 8 let in osebe z zmanjšanimi telesnimi, s čutnimi ali z razumskimi sposobnostmi oziroma osebe s pomanjkanjem izkušenj ter znanja, lahko uporabljajo to napravo le pod nadzorom ali če so bili ustrezno podučeni glede varne uporabe naprave in se tudi zavedajo nevarnosti, ki jih njena uporaba prinaša.
- Otroci se z napravo ne smejo igrati. Čiščenja in vzdrževanja otroci ne smejo izvajati brez nadzora

ODLAGANJE STARE NAPRAVE



Ta naprava je označena skladno z določili Evropske direktive 2012/19/EU o odpadni električni in elektronski opremi (WEEE). Ta oprema vsebuje tako strupene snovi (ki imajo lahko negativne vplive na okolje) kot tudi osnovne komponente (ki jih je možno ponovno uporabiti). Tovrstno odpadno opremo je obvezno potrebno specifično obravnavati in ustrezno odstraniti strupene, hkrati pa obnoviti in ponovno uporabiti določene še uporabne materiale. Posamezniki lahko pri tem odigrajo pomembno vlogo, kajti tovrstna odpadna oprema ne postane breme okolja; zato je pomembno upoštevati določena osnovna pravila:

- Odpadne električne in elektronske opreme ne smemo obravnavati kot gospodinjinske odpadke;
- Odpadno električno in elektronsko opremo je obvezno dostaviti na predpisana mesta za zbiranje tovrstnih odpadkov. V veliko državah je organizirano prevzemanje odpadne električne in elektronske opreme na domu.

V veliko državah lahko ob nakupu nove naprave staro lahko brezplačno dostavite trgovcu, če je le ta oprema iste vrste, kot tista, ki ste jo kupili.

Skladnost CE

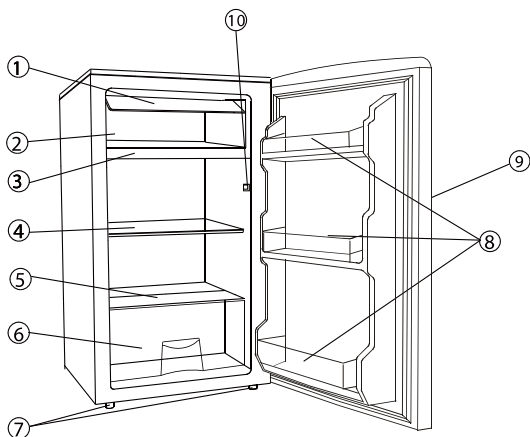


Oznaka na izdelku potrjuje, da je oprema skladna z Evropskimi predpisi o varnosti, zdravju in okoljskimi določili, ki se nanašajo na uporabo tovrstnih izdelkov.

VARČEVANJE Z ENERGIJO

- Za boljše varčevanje z energijo priporočamo:
- Napravo montirajte proč od virov toplote v sobi z dobrim prežračevanjem, tako da ni izpostavljena neposredni sončni svetlobi.
- V hladilnik ne dajte vroče hrane, da preprečite porast notranje temperature in, zaradi tega, nenehno delovanje kompresorja.
- V hladilnik ne zložite prevelike količine hrane, da zagotovite dobro prežračevanje.
- Če opazite, da se kopiči led, napravo odmrznite (glejte ODMRZOVANJE) in omogočite prenos hlajenja.
- V primeru izpada električnega napajanja priporočamo, da vrata hladilnika pustite zaprta.
- Vrata odpirajte le toliko kot je potrebno in takrat, ko je to nujno
- Termostata ne nastavljajte na prenizko temperaturo.
- Z zadnje strani naprave odstranite prah.
- Tehnologija Total no frost Audy (s prikazovalnikom na vratih): odstranite vse košare iz zamrzovalnika;
- Tehnologija Total no frost (z notranjim uporabniškim vmesnikom za hladilnik in gumbom za zamrzovalnik): odstranite druge košare iz zamrzovalnika, vendar pustite spodnji predal.
- Model Frost free: odstranite druge košare iz zamrzovalnika, vendar pustite spodnji predal.
- Vsi običajni statični modeli: odstranite vse predale iz zamrzovalnika.

1. DELI HLADILNIKA



1. Pokrov predelka z nizko temperaturo
2. Predelek z nizko temperaturo
3. Pladenj za odcejanje
4. Police v hladilniku
5. Steklena polica
6. Predal za zelenjavo
7. Nastavljive noge
8. Police na vratih
9. Ročaj
10. Stikalo za luč na vratih

2. PRAVILNA POSTAVITEV

Ustrezno zračenje

Za brezhibno delovanje hladilnega aparata, njegovo učinkovitost in nizko porabo energije je ključnega pomena neovirano zračenje. Zato mora biti okoli hladilnega aparata dovolj prostora. Na hrbtni strani mora biti od zida odmaknjen vsaj 100 mm, ob straneh prav tako 100 mm, nad njim pa vsaj 200 mm. Tudi za odpiranje vrat (za 160 stopinj) mora biti na voljo dovolj prostora.

Napajanje

Hladilnik je namenjen priključitvi na enofazni izmenični tok (220-240)V~/50Hz;230V~/60Hz. Če vrednosti v omrežju zaradi velikih nihanj odstopajo od navedenih, zaradi varnosti uporabite regulator napetosti. Hladilnik mora biti priključen na samostojno vtičnico. Ne uporabljajte razdelilcev. Vtičak se mora prilegati vtičnici z ozemljitvenim vodom.

Priključni kabel

Priključnega kabla ne smete podaljševati ali zvijati. Pazite, da kabel ni napeljan tik ob kompresorju na hrbtni strani aparata, ki se med delovanjem zelo segreje. Vročina bi lahko poškodovala izolacijo ali povzročila uhajanje toka.

Zaščita pred vlago

Hladilnika ne postavljajte v zelo vlažen prostor, da se izognete nevarnosti za rjavenje kovinskih delov. Hladilnika ne smete polivati z vodo, saj bi to lahko pokvarilo izolacijo in povzročilo uhajanje elektrinega toka.

Zaščita pred vročino

Hladilnik ne sme stati v bližini virov toplote ali biti izpostavljen neposredni sončni svetlobi.

Stabilnost

Hladilnik postavite na trdna, ravna tla.

Ne postavljajte ga na mehko talon oblogo ipd. Če hladilnik ne stoji ravno, ga uravnajte s pomočjo nožic. Hladilnik ne postavljajte ob predmet, ki bi lahko povzročil odmev.

Upošteвайте navodila o varnosti

Odsvetujemo postavljanje hladilnika v prostor, v katerem so prisotni vnetljivi plini, bencin, alkohol, lak, vnetljiva olja ipd. Takih snovi ne smete hraniti v hladilniku.

Selitev

Hladilnik prenašajte v pokončnem položaju. Ne polagajte ga v vodoravni položaj oziroma ne nagibajte za več kot 45°, ali celo z zgornjim delom navzdol.

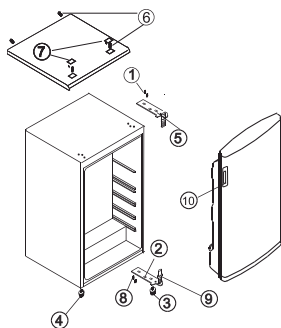
3. Opozorila

- Voda, ki jo vsebujejo živila, ali ki je prisotna v zraku in vstopa v hladilnik medtem, ko so vrata odprta, se v notranjosti nabira v obliki plasti sreža in ledu. Debelejša ledena obloga zmanjša učinkovitost hladilnika. Ko preseže debelino 2 mm morate hladilnik odtaliti.
- Odtaljevanje zamrzovalnega dela morate opraviti ročno. Najprej odstranite zamrznjena živila, modelček za ledene kocke in polico ter obrnite gumb termostata na "0" (kompresor preneha delovati). Vrata pustite odprta, dokler se led na stali. Vodo, ki se nabere na dnu zamrzovalnika, obrišite z gobo ali mehko krpo. Odtaljevanje lahko pospešite tako, da v zamrzovalnik postavite posodo s toplo vodo (približno 50°C). Na koncu očistite zamrzovalnik. Ne pozabite obrniti gumba termostata nazaj na srednjo vrednost!
- Nikoli ne pospešujte odtaljevanja z vročo vodo ali npr. sušilnikom za lase, saj bi lahko na ta način deformirali stranice!
- Odsvetujemo uporabo ostrih ali koničastih predmetov, saj bi lahko poškodovali aparat.
- Če je priključni električni kabel poškodovan, ga mora zamenjati strokovnjak pooblaščenega servisa, saj so za to potrebna posebna orodja.

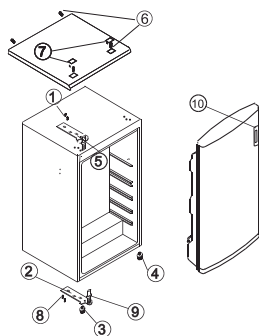
4. Spreminjanje strani odpiranja vrat

Hladilnik je tovarniško izdelan s tečaji za vrata na desni. Če želite spremeniti smer odpiranja vrat, upoštevajte spodnja navodila:

1. Odstranite plastični pokrovček (7) in vijake (6), s katerimi je zgornji pokrov pritrjen na ohišje, ter snemite pokrov.
2. Odvijte vijaka (1), s katerima je zgornji tečaj (5) na desni pritrjen na ohišje. Odstranite zgornji tečaj (5).
3. Dvignite vrata in jih položite na mehko površino, da se ne bi opraskala.
4. Odvijte vijaka (8), s katerima je pritrjen spodnji tečaj (2). Odstranite spodnji tečaj (2).
5. Odstranite nogo spredaj levo (4) in jo premestite na drugo stran.
6. Preden ponovno pritrdite spodnji tečaj (2), odstranite zatič (9) in obrnite spodnji tečaj (2). Nato spodnji tečaj (2) z vijakoma (8) pritrdite na levo stran ohišja spodaj.
7. Vstavite zatič (9) v spodnji tečaj (2).
8. Namestite vrata trdno na spodnji tečaj (2).
9. Pridržite vrata v zaprtem položaju in z vijakoma (1) pritrdite tudi zgornji tečaj (5) na levo stran ohišja. Vijakov (1) ne zategnite preveč, dokler vrat ne poravnate z robom ohišja.
10. Pritrdite zgornjo ploščo na ohišje z vijaki (6) in namestite tudi plastične čepke (7).
11. Premestite ročaj (10) z leve na desno stran.



SLIKA 1



SLIKA 2

Na sliki 1 so prikazani sestavni deli pred spreminjanjem strani odpiranja vrat.

Na sliki 2 so prikazani sestavni deli po spreminjanju strani odpiranja vrat.

5. Odpravljanje nepravilnosti v delovanju

1. ČE HLADILNI APARAT NE DELUJE

Prepričajte se, da morda ni prišlo do izpada električnega toka.

Preverite, da je vtičak v vtičnici.

Preverite, da ni pregorela varovalka.

2. HLADILNI APARAT PREVEČ HLADI

Morda ni nastavljena ustrezna stopnja.

Če postavite živilo z visoko vsebnostjo vlage tik pod odprtino za pritekanje hladnega zraka, lahko zamrzne.

To ne kaže na okvaro.

3. HLADILNIK NE HLADI DOVOLJ

Morda ste zavojčke zložili preblizu skupaj in onemogočajo kroženje hladnega zraka.

Morda ste v hladilnik postavili večjo količino svežih živil, ali vroče živilo.

Morda vrata niso bila dobro zaprta.

Morda je poškodovano tesnilo na vratih.

Morda je ovirano kroženje zraka okoli hladilnika.

Morda okoli hladilnika (ob straneh in nad njim) ni dovolj prostega prostora.

Morda gumb termostata ni v pravilnem položaju.

4. VODA PRI ODTALJEVANJU TEČE V HLADILNIK IN NA TLA.

Preverite, da ni zamašena cevka za odtakanje vode pri odtaljevanju.

Preverite, da je posoda za odcejanje vode pravilno nameščena.

5. NA ZUNANJIH POVRŠINAH HLADILNIKA SE NABIRA KONDENZ

To se lahko zgodi v vlažnem vremenu, ko je v zraku visoka vsebnost vlage – podobno kot se na kozarcu naberejo kapljice vode, ko vanj vlijete hladno vodo. To ne kaže na okvaro. Obrišite površine s suho krpo.

6. SLIŠI SE, KOT BI SE PRETAKALA VODA.

Ta zvok je posledica pretakanja hladiva. Ne kaže na okvaro.

7. STRANICA HLADILNIKA SE SEGREVA

Če pogosto odprete in zaprete vrata, se stranica segreje, segreje pa se tudi, ko zaženete aparat ali ko hladilnik deluje poleti pri visoki temperaturi v prostoru. Ne dotikajte se stranice, ki se segreva zaradi razprševanja toplote iz notranjosti aparata. To ni okvara!

6. Tehnični podatki

*Tehnični podatki so navedeni na tablici s podatki na hrbtni strani hladilnika.

*Pridržujemo si pravico do spreminjanja tehničnih specifikacij brez predhodnega obvestila.

Благодарим Вас за приобретение данного товара.

Перед началом эксплуатации Вашего холодильника, пожалуйста, внимательно прочитайте данную инструкцию по эксплуатации, чтобы полностью воспользоваться преимуществами холодильника. Сохраняйте всю документацию для использования в будущем или для передачи последующим пользователям. Данное изделие предназначено исключительно для пользования в бытовых и аналогичных условиях, а именно:

- на кухнях для персонала магазинов, офисов и в других рабочих обстановках;
- в агроусадьбах, постояльцами отелей, мотелей и других комплексов гостиничного типа;
- в отелях типа «bed & breakfasts» (B & B).
- службами организации банкетов или аналогичными фирмами, но не для розничной торговли.

Данный прибор должен использоваться только для хранения продуктов питания, любое другое использование считается опасным и освобождает производителя от ответственности в случае любых инцидентов. Также рекомендуется ознакомиться с гарантийными условиями.

ИНФОРМАЦИЯ ПО ТЕХНИКЕ БЕЗОПАСНОСТИ

В системе холодильника содержится охлаждающий газ, он же хладагент (R600a: изобутен), и изолирующий газ (циклопентан), которые обладают высокой совместимостью с окружающей средой, но, несмотря на это, они легко воспламеняются. Рекомендуется соблюдать следующие меры предосторожности, чтобы предотвратить возникновение опасных для Вас ситуаций:

Перед началом проведения любых работ, извлеките шнур питания из сетевой розетки.

- Система охлаждения, расположенная сзади и внутри прибора, содержит хладагент. Поэтому, избегайте повреждений труб системы.
- В случае обнаружения утечки в системе охлаждения, не прикасайтесь к настенной розетке и не пользуйтесь источниками открытого пламени. Откройте окно и проветрите комнату. Затем позвоните в сервисный центр с запросом о ремонте.
- Не соскабливайте ножом или острыми предметами наледь или лед, которые могут образовываться на стенках. Таким образом можно повредить контур хладагента, утечка из которого может стать причиной возникновения пожара или повреждения глаз.
- Не устанавливайте прибор в помещениях с высокой влажностью, значительным пылевым или масляным загрязнением; избегайте непосредственного попадания на прибор воды и прямых солнечных лучей.
- Не устанавливайте прибор вблизи нагревателей или легко воспламеняемых материалов.
- Не пользуйтесь удлинителями и адаптерами.
- Не тяните и не сворачивайте чрезмерно шнур питания; не касайтесь вилки мокрыми руками.
- Не повреждайте вилку и/или шнур питания; это может стать причиной поражения электрическим током или пожара.
- Рекомендуется сохранять вилку чистой, чрезмерные пылевые наслоения на вилке могут стать причиной пожара.

- Не используйте механические инструменты или оборудование для ускорения процесса размораживания.
- Категорически запрещается использовать открытое пламя или электрическое оборудование, например, нагреватели, паровые очистители, свечи, масляные лампы и т.п., для ускорения процесса размораживания.
- Не используйте и не храните воспламеняемые аэрозоли вблизи прибора, они могут стать причиной взрыва или пожара.
- Не используйте электрические приборы внутри отсеков для хранения продуктов, если только речь не идет о приборах, рекомендованных производителем холодильника.
- Не ставьте и не храните в холодильнике воспламеняемые и легколетучие материалы, например, эфир, бензин, СНГ, пропан, аэрозольные баллончик, клеящие материалы, чистый спирт и т.п. Эти материалы могут стать причиной взрыва.
- Не храните медицинские препараты или исследовательские материалы в приборе. Хранение в холодильнике материалов, требующих строгого контроля за температурой хранения, может привести к их порче или спровоцировать неконтролируемую реакцию, которая может стать источником рисков.
- Следите, чтобы вентиляционные отверстия на корпусе прибора или в структуре, в которую осуществляется встраивание, были свободными и не загроможденными.
- Не ставьте предметы и/или емкости, наполненные водой, верху на прибор.
- Не предпринимайте попыток самостоятельного ремонта прибора. Все ремонтные работы должны выполняться только квалифицированным персоналом.
- Данным прибором могут пользоваться дети в возрасте 8 лет и старше, лица с ограниченными физическими, сенсорными и умственными способностями, а также с недостаточным опытом и знаниями, если они находятся под внимательным присмотром, получили надлежащий инструктаж по безопасному пользованию прибором и осознают связанные с ним риски.
- Детям запрещено играть с прибором. Детям без надлежащего присмотра запрещается выполнять отведенные пользователю операции очистки и обслуживания.

УТИЛИЗАЦИЯ СТАРЫХ ПРИБОРОВ



На данный прибор нанесена маркировка в соответствии с Директивой ЕС 2012/19/ЕС об отходах электрического и электронного оборудования (WEEE). Отходы электрического и электронного оборудования содержат как загрязняющие вещества (которые могут стать причиной негативных последствий для окружающей среды), так и основные компоненты (которые могут быть использованы повторно). Важно, чтобы отходы электрического и электронного оборудования подвергались специальным способам обработки, нацеленным на извлечение и правильную утилизацию всех загрязняющих веществ, а также извлечение всех материалов, пригодных для повторного использования. Каждый из нас может сделать свой вклад в защиту окружающей среды от загрязнения отходами электрического и электронного оборудования; для этого необходимо следовать некоторым общим правилам:

- отходы электрического и электронного оборудования не должны утилизироваться, как бытовые отходы;
- отходы электрического и электронного оборудования должны передаваться в соответствующие пункты сбора, находящиеся под управлением муниципальных властей или официально зарегистрированных компаний. В некоторых странах практикуется сбор габаритных отходов электрического и электронного оборудования на дому.

Во многих странах при покупке нового прибора старый можно вернуть розничному продавцу на условиях один к одному, если возвращаемое оборудование эквивалентного типа и обладает таким же функционалом, как и поставляемое оборудование.

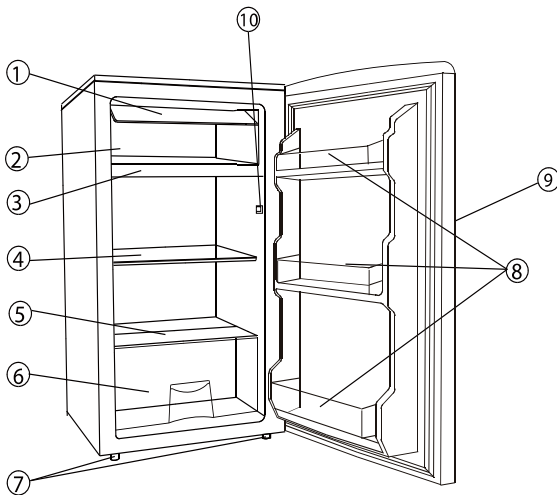
Соответствие стандартам ЕС

Маркировка CE  нанесенная на данное изделие, удостоверяет соответствие всем требованиям стандартов ЕС к безопасности, охране человеческого здоровья и окружающей среды, применяемых законодательством к данному изделию.

ЭНЕРГОСБЕРЕЖЕНИЕ

- Для более эффективного энергосбережения рекомендуется придерживаться некоторых приведенных далее правил.
- Устанавливать прибор в помещении с хорошей вентиляцией, вдали от источников тепла и прямых солнечных лучей.
- Не ставить горячую еду в холодильник во избежание повышения внутренней температуры, которое влечет за собой непрерывную работу компрессора.
- Не загромождать чрезмерно холодильник продуктами, чтобы обеспечивать надлежащую циркуляцию воздуха.
- Провести размораживание прибора в случае образования льда (см. РАЗМОРАЖИВАНИЕ), чтобы облегчить передачу холода.
- В случае отсутствия электроэнергии, рекомендуется держать дверцу холодильника закрытой.
- Как можно меньше открывать или держать открытой дверцу холодильника.
- Не регулировать термостат, устанавливая его на очень низкие температуры.
- Удалять пыль, имеющуюся за прибором (см. ОЧИСТКА).
- Total no frost Aduy (с дисплеем на дверце): достаньте все корзины из морозильной камеры;
- Total no frost (с внутренним интерфейсом пользователя и ручкой для морозильной камеры): достаньте другие корзины из морозильной камеры, оставив на месте нижний ящик.
- Модель не образующая наледь: достаньте другие корзины из морозильной камеры, оставив на месте нижний ящик.
- Все обычные статические модели: достаньте все ящики из морозильной камеры.

1. Общо устройство



- ① Врата на фризерната част
- ② Фризерна част
- ③ Тава за отцеждане
- ④ Рафтове
- ⑤ Стъклен капак
- ⑥ Кутия за съхранение на свежи хране
- ⑦ Нивелиращи крачета
- ⑧ Рафтове на вратата
- ⑨ Дръжка на вратата
- ⑩ Ключе на вратата

2. Правилно позициониране

Вентилация

Необходимо е достатъчно пространство за вентилиране около хладилника и лесно разсейване на топлината, висока ефективност на хладилника и ниска консумация на енергия. За тази цел е необходимо да се остави определено свободно пространство около хладилника. Задната част трябва да е на 100 мм от стената, страниците също на 100 мм, а над горната част трябва да се предвидят поне 200 мм. пространство. Хладилника трябва да се монтира така, че вратата да се отваря поне на 160°.

Захранване

Хладилникът работи само с еднофазно променливотоково захранване (220~240) V / 50 Hz, ~230V / 60Hz. Ако в района на потребителя, има колебания на напрежението надхвърлящи горния обхват, за безопасност се прилага автоматичен регулатор на напрежението.

Хладилникът не трябва да бъде включван заедно с други електро уреди, а да бъде на самостоятелен контакт.

Захранващ кабел

Кабелът трябва да не е удължаван или прегънат в намотка по време на работа. Нещо повече, забранено е съхранение на кабела в близост до компресора на хладилника, защото температурата му е висока по време на работа. Докосването му ще доведе до повреда на изолацията или доведе до утечка на електроенергия.

Защита от влага

Трябва да се избягва използването на хладилника във влажни помещения, за да се предотврати ръждясването на металните детайли. Забранено е пръскането на хладилника с вода, поради опасност от късо съединение.

Защита от топлина

Хладилникът трябва да е далеч от пряк източник на топлина и от пряка слънчева светлина.

Стабилно фиксиране

Подът върху който ще се поставя хладилника трябва да бъде равен и твърд. Не бива да го поставяте върху меки настилки, като дунапрен и др. Нивото може да се регулира чрез крачетата. Трябва също така да се избягва поставянето му до елементи създаващи ехо.

Да се пази от опасности

Не е желателно хладилника да се намира до изпаряващи се и запалими течности и газове, като газ, бензин, спирт, лак и др. Те не бива да бъдат съхранявани и във вътрешността му.

Преместване

При преместване, хладилника не трябва да бъде наклонян на повече от 45°

3. Предупреждения

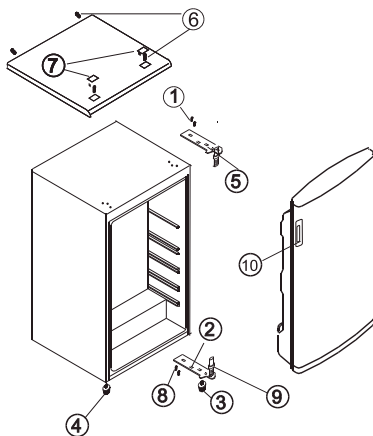
- ★ Съдържанието на вода в продуктите и навлизания въздух при отварянето на вратата на хладилника, могат да доведат до образуването на слой лед. Ако този слой е повече от 2 мм, хладилника трябва да се размрази,
- ★ Размразяването на камерата трябва да се прави ръчно. Преди размразяването, извадете всички продукти и ги поставете върху охлаждащата табла и задайте регулатора на позиция „0" (компресора ще спре работа). Оставете вратата отворена за да се разтопи леда и след това подсушете с кърпа. За да ускорите размразяването, може да поставите купа с топла вода (около 50°C). След размразяването, настройте регулатора на желаната позиция.

- ★ Никога не нагрявайте фризерното отделение с гореща вода или сешоар, защото може да деформирате вътрешните части.
- ★ Не е препоръчително да стържете леда или да отделяте замръзналата храна с остри предмети или дървени стъргалки, защото може да нараните вътрешността и изпарителя.
- ★ Ако захранващия кабел е повреден и е необходимо да бъде сменен, то е желателно да се извика оторизиран техник

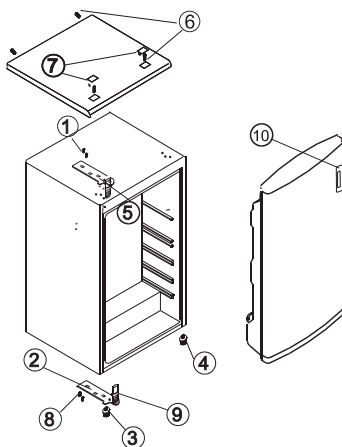
4. Смяна на посоката на отваряне на вратата

Хладилника е сглобен с поставени панти за вратата от дясно. Ако искате да смените посоката на отваряне на вратата, изпълнете следното:

1. Свалете малката пластмасова капачка (7) и развийте винта (6) който фиксира плота за да го разглобите.
2. Развийте двата винта (1), които закрепват горната панта (5) (дясната страна) към рамката. Свалете горната пантата (5).
3. Вдигнете вратата и я поставете на гладка повърхност за да избегнете надраскването и.
4. Развийте двата винта (8), които закрепват долната панта (2) и внимателно свалете долната панта (2).
5. Свалете предния ляв крак (4) и го преместете от дясната страна.
6. Преди да монтирате долната панта (2) отстранете щифта (9) и обърнете отварянето на долната панта (2). Тогава монтирайте долната панта (2) върху лява страна на долната рамка с два винта (8).
7. Поставете щифта (9) в долната панта (2).
8. Поставете вратата на мястото и като се обедите че ляга правилно върху долната панта (2).
9. Докато придържате врата в затворено положение захванете горната пантата (5) в горната рамка от лявата страна с двата винта (1). Моля запомнете, че не трябва да затягате двата винта (1) докато не нивелирате горната част на вратата.
10. Монтирайте обратно плота върху хладилника и го закрепете с винтове (6) и ги покрийте с малките пластмасови капачки (7).
11. Преместете дръжката (10) от лявата на дясната страна на вратата.



ФИГУРА 1



ФИГУРА 2

ФИГУРА 1 - показва компонентите на хладилника преди смяна на посоката на отваряне на вратата.

ФИГУРА 2 - показва компонентите на хладилника след смяна на посоката на отваряне на вратата.

5. Разрешаване на проблеми

1. Хладилника не работи

Проверете дали има прекъсване на ел.захранването

Проверете дали щепсела е включен в контакта

Проверете дали бушона не е повреден

2. Когато хладилника се охлажда прекомерно

Повреден е циферблатът за температура

Ако поставите храна, съдържаща влага, директно под студен въздух, тя веднага ще замръзне. Това не показва неизправност

3. Когато хладилника не охлажда

Когато храната е опакована много плътно, студения въздух не може да проникне правилно.

Може да сте поставили нещо горещо или много хранителни продукти

Вратата може да не е затворена добре

Уплътнителят на вратата може да е увреден

Хладилникът не може да се вентилира

Може да няма достатъчно пространство от горната страна и от двете страни.

Регулаторът на температурата не работи правилно

4. Когато размразената вода попада в хладилника или се разлива на пода:

Проверете дали изходящата тръба или маркуча не са запушени

Проверете дали съдът в който се събира размразената вода е поставен правилно.

5. Когато има конденз върху хладилника

Когато влажността е висока, може да се образува конденз от външната страна на уреда. Това не е причина за притеснение. избършете със суха кърпа.

6. Чува се звук като от падаща вода

Това не е повреда. Звъкът се получава при движението на хладилния агент

7. Когато външната страна на уреда се нагрива

Страничния панел на хладилника се загрева когато често се отваря и затваря врата, когато работи през горещи летни дни и т.н.т. В този случай не пипайте страничния панел, затоплянето е в резултат на стремежа за поддържане на постоянна температура в хладилника, това не е повреда.

6. Технически спецификации

Не инсталирайте уреда навън.

Уредът работи правилно в рамките на отбелязаните температури на околната среда :

+10 +32°C за климатичен клас SN

+16 +32°C за климатичен клас N

+16 +38°C за климатичен клас ST

+16 +43°C за климатичен клас T

(Виж табелката на продукта)

*за подробна техническа информация прочетете табелата на гърба на хладилника

*Спецификациите могат да бъдат променени без допълнително известяване

Ďakujeme vám, že ste si kúpili náš výrobok.

Pred používaním svojej chladničky si pozorne prečítajte návod na použitie, aby ste maximálne využili všetky jej vlastnosti. Všetky dokumenty si odložte pre ďalšie použitie alebo pre ďalších používateľov. Tento spotrebič je určený iba na použitie v domácnosti alebo na podobné využitie, napríklad:

- v kuchynkách pre pracovníkov v obchodoch, v kanceláriách alebo na iných pracoviskách
- v podnikoch, pre hosťov v hoteloch, motelloch a v iných prostrediach rezidenčialneho typu
- v ubytovniach a v prenajímaných izbách (B & B)

- Pre kateringové služby a podobné použitie mimo maloobchodného predaja.

Tento spotrebič sa smie používať iba na skladovanie potravín, každé iné použitie sa považuje za nebezpečné a výrobca v prípade porušenia pokynov nepreberá žiadnu zodpovednosť. Okrem toho sa odporúča nezabúdať na podmienky záruky.

BEZPEČNOSTÉ PREDPISY

Chladnička obsahuje chladiaci plyn (R600a: izobutén) a izolačný plyn (cyklopentán), ktorý nie je škodlivý pre životné prostredie, ale je horľavý. Odporúčame vám dodržiavať nasledujúce predpisy, čím zabránite nebezpečným situáciám:

Pred vykonaním akéhokoľvek úkonu vytiahnite elektrickú zástrčku z elektrickej zásuvky.

- Chladiaci systém na zadnej stene spotrebiča a v jeho vnútri obsahuje chladiivo. Preto nedovoľte, aby sa poškodili rúrky.
- Ak by ste spozorovali úniky z chladiaceho systému, nedotýkajte sa výstupu na stene a nepoužívajte otvorené plamene. Otvorte okno a miestnosť vyvetrajte. Potom zavolajte servisné stredisko a objednajte opravu.
- Námrazu ani ľad nezoškrabujte nožom ani žiadnym iným ostrým predmetom. Mohli by ste nimi poškodiť chladiaci okruh, úniky z ktorého by mohli spôsobiť požiar alebo by vám mohli poškodiť zrak.
- Spotrebič neinštalujte vo vlhkom, masťnom ani prašnom prostredí a nevystavujte ho priamemu slnečnému svetlu ani vode.
- Spotrebič neinštalujte v blízkosti ohrievačov ani horľavých materiálov.
- Nepoužívajte predlžovacie káble ani adaptéry.
- Elektrický napájací kábel príliš neťahajte a neohýbajte, ani sa ho nedotýkajte mokrymi rukami.
- Nepoškodzujte zástrčku elektrického napájacieho kábla ani samotný kábel, mohlo by to spôsobiť zásah elektrickým prúdom alebo požiar.
- Odporúča sa udržiavať zástrčku kábla čistú. Zvyšky prachu na zástrčke by mohli spôsobiť požiar.
- Na urýchlenie odmrazovania spotrebiča nepoužívajte mechanické nástroje ani iné metódy.
- Na urýchlenie odmrazovania je absolútne zakázané používať otvorený plameň alebo elektrické zariadenia ako ohrievače, napařovače, sviečky, olejové lampy a podobne.

- V blízkosti spotrebiča nepoužívajte ani neskladujte horľavé spreje, ako sú sprejové farby, pretože by mohli spôsobiť výbuch alebo požiar.
- Vnútri oddelenia na skladovanie potravín nepoužívajte elektrické spotrebiče, s výnimkou typov spotrebičov povolených zo strany výrobcu.
- Do spotrebiča nevkladajte ani v ňom neskladujte horľavé ani prchavé látky, ako éter, benzín, LPG, propán, aerosólové tlakové nádoby, lepidlá, čistý alkohol a pod. Tieto materiály môžu spôsobiť výbuch.
- Vnútri spotrebiča neskladujte lieky ani výskumný materiál. Pri skladovaní materiálu, ktorý si vyžaduje prísnu kontrolu teplôt skladovania sa môže stať, že sa materiál znehodnotí alebo môže dôjsť k nekontrolovanej reakcii, ktorá spôsobí ohrozenie.
- Vetracie otvory na kryte spotrebiča alebo na štruktúre zabudovania udržiavajte nezakryté, bez prekážok.
- Na vrchnú stranu spotrebiča nekladte žiadne predmety a/alebo nádoby s vodou.
- Spotrebič neopravujte sami. Akýkoľvek zásah smie urobiť iba vyškolený personál.
- Toto zariadenie smú používať deti staršie než 8 rokov a osoby so zníženými telesnými, zmyslovými alebo duševnými schopnosťami alebo s nedostatkom skúseností a znalostí, len ak sú pod dozorom alebo dostali pokyny o používaní zariadenia bezpečným spôsobom a ak chápu nebezpečenstvá s ním súvisiace.
- Deti sa nesmú hrať so spotrebičom. Čistenie a údržbu nesmú vykonávať deti bez dozoru.

LIKVIDÁCIA STARÉHO SPOTREBIČA



Toto zariadenie je označené podľa európskej smernice 2012/19/EÚ o odpade z elektrických a elektronických zariadení (OEEZ). OEEZ obsahuje znečisťujúce látky (ktoré môžu mať negatívny dopad na životné prostredie) a základné komponenty (ktoré sa dajú zhodnotiť). Je dôležité, aby sa s OEEZ manipulovalo ako so špeciálnym odpadom, aby sa odstránili a správne zlikvidovali všetky znečisťujúce látky a aby sa zhodnotili a recyklovali všetky materiály. Pri zabezpečovaní, že sa OEEZ nedostane voľne do prostredia, zohrávajú dôležitú úlohu jednotlivci.

Preto je nevyhnutné dodržiavať niekoľko základných pravidiel:

- S OEEZ sa nesmie manipulovať ako s domovým odpadom;
- OEEZ je potrebné odovzdať v príslušných zberných strediskách spravovaných obcou alebo registrovanými spoločnosťami. V mnohých krajinách sa vykonáva vyzdvihnutie veľkého OEEZ v domácnostiach.

V mnohých krajinách môžete pri kúpe nového spotrebiča vrátiť starý predajcovi, ktorý je povinný vyzdvihnúť ho bezplatne systémom jedného starého zariadenia za jedno nové zariadenie ekvivalentného typu a s rovnakými funkciami ako má odovzďavané zariadenie.

ES zhoda



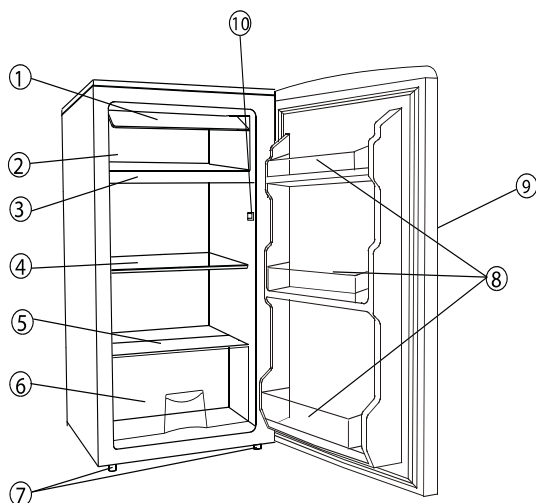
Označením tohto výrobku značkou **CE** potvrdzujeme zhodu so všetkými relevantnými európskymi bezpečnostnými, zdravotnými a environmentálnymi požiadavkami v predpisoch platných pre tento spotrebič.

ÚSPORA ENERGIE

- Ak chcete zvýšiť úsporu energie, odporúčame vám:
- Spotrebič nainštalujte ďaleko od zdrojov tepla a nevystavujte ho priamemu slnečnému žiareniu. Umiestnite ho v dobre vetranej miestnosti.
- Do spotrebiča nekladajte teplé jedlá, aby ste zabránili zvýšeniu teploty vnútri, čo by zase spôsobilo nepretržitú činnosť kompresora.
- Potraviny nekladte tesne blízko seba a okolo stien, aby sa zaisťila cirkulácia vzduchu.
- Ak je vnútri spotrebiča ľad a námraza, odmrázte ho (pozrite časť ODMRAZOVANIE), uľahčí sa tým prestup tepla.
- V prípade výpadku elektrického napájania sa odporúča nechávať dvere chladničky zatvorené.
- Dvere otvárajte a nechávajte ich otvorené čo najkratšie.
- Nenastavujte termostat na príliš nízke teploty.
- Odstráňte prach zo zadnej mriežky spotrebiča (pozrite ČISTENIE).
- Model s automatickým odmrazovaním Audy (s displejom na dverách): vyberte všetky koše z oddelenia mrazničky;
- Model s automatickým odmrazovaním (s interným rozhraním pre používateľa pre chladničku a s gombíkom pre mrazničku): vyberte ostatné koše z oddelenia mrazničky, ale spodnú zásuvku nechajte na mieste.
- Model bez tvorenia námrazy: vyberte ostatné koše z oddelenia mrazničky, ale nechajte spodnú zásuvku na mieste.
- Všetky normálne statické modely: vyberte všetky zásuvky z oddelenia mrazničky.

1. Popis spotrebiča

Názvy a funkcie



- ① Dvierka mraziaceho priestoru
- ② Mraziaci priestor
- ③ Odkvapkávaci zásobník
- ④ Priehradky chladničky
- ⑤ Sklenený kryt
- ⑥ Box čerstvých potravín
- ⑦ Vyvažovacie nožičky
- ⑧ Priehradky dvierok
- ⑨ Rukoväť
- ⑩ Spínač osvetlenia

2. SPRÁVNE UMIESTNENIE

Dobré vetranie

Pre odvod tepla, vysokú účinnosť a nízku spotrebu energie je potrebné dobré vetranie. Preto nechajte okolo chladničky dostatočný voľný priestor. Zo zadnej strany najmenej 100 mm od steny, po stranách spotrebiča najmenej 100 mm a z hornej strany spotrebiča najmenej 200 mm. Voľný priestor potrebný na otvorenie dvierok by mal byť 160°.

Napájanie

Chladnička je vhodná na striedavý prúd (220-240)V~/50Hz; 230V~/60Hz. Ak je kolísanie prúdu v rôznych krajinách mimo uvedený rozsah, z dôvodu bezpečnosti aplikujte automatický napätový regulátor. Chladnička musí obsahovať špeciálnu vidlicu prívodného kábla namiesto štandardného. Jej konektor musí zodpovedať zásuvke s uzemňovacím vodičom.

Prívodný kábel

Kábel nesmie byť počas prevádzky predĺžovaný ani zmotaný do cievky. Dbajte na to, aby sa prívodný kábel nedotýkal kompresora na zadnej stene spotrebiča, pretože povrch môže byť počas prevádzky horúci a kontakt s káblom môže poškodiť izoláciu a spôsobiť skrat.

Ochrana voči vlhkosti

Neumiestňujte chladničku na miesta, kde je vysoký obsah vlhkosti, zabránite tým novej korózii kovových častí. Spotrebič nesmie byť vystavený vode, pretože to spôsobí nesprávnu izoláciu a skrat.

Ochrana pred teplom

Spotrebič by mal byť umiestnený mimo zdrojov tepla a priameho slnečného žiarenia.

Vyváženie

Povrch, na ktorom bude spotrebič stáť, musí byť pevný a rovný. Neodporúčame žiadny mäkký povrch. Ak nie je spotrebič vyvážený, prispôbte ho pomocou nastaviteľných nožičiek.

Zabráňte nebezpečenstvu

Neumiestňujte spotrebič do blízkosti horľavých látok ako je plyn, benzín, alkohol, lak, amylacetát, atď. Tieto predmety nekladajte do spotrebiča.

Premiestňovanie

Pri premiestňovaní spotrebiča ho nenakláňajte horizontálne ani do uhla pod 45°.

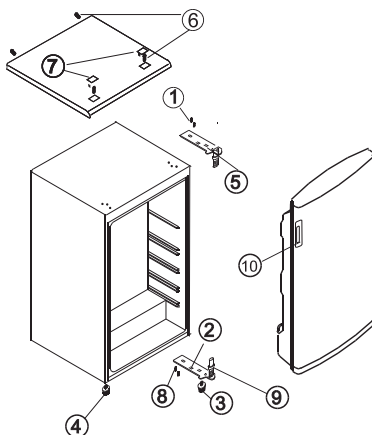
3. UPOZORNENIA

- ▶ Voda obsiahnutá v potravinách alebo vo vzduchu sa dostáva do chladničky pri otvorení dvierok a spôsobuje formovanie námrazy, ovplyvňuje správny chod chladničky v prípade hrubej vrstvy. Keď je hrubšia ako 2 mm, musíte chladničku odmraziť.
- ▶ Odmrazovanie chladničky sa vykonáva manuálne. Pred odmrazovaním vyberte potraviny, zásobník ľadu a dočasne uložte na chladné miesto, potom nastavte ovládač teploty do pozície „0“ a nechajte otvorené dvierka, pokiaľ sa ľad a námraza nerozpustia na dno chladničky. Vodu utrite jemnou utierkou. V prípade urýchlenia odmrazovania môžete umiestniť nádobu s horúcou vodou (približne 50°C) do vnútorného priestoru chladničky. Po odmrazení nezabudnite nastaviť ovládač teploty do pôvodnej pozície.
- ▶ Nie je vhodné odmrazovať chladničku priamo horúcou vodou alebo fénom na vlasy, pretože môžete poškodiť vnútorný priestor.
- ▶ Neodstraňujte ľad a námrazu ani neoddeľujte potraviny, ktoré sú zmrazené spolu, ostrými predmetmi alebo drevenými paličkami, pretože môžete poškodiť vnútorný priestor chladničky alebo výparníka.
- ▶ Ak je poškodený prívodný kábel spotrebiča, musí ho vymeniť servisný technik.

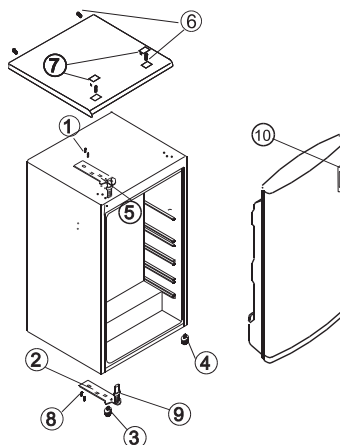
4. Zmena smeru otvárania dvierok

Tento spotrebič bol vo výrobe zostavený so závesmi dvierok na pravej strane. Ak chcete zmeniť smer otvárania dvierok, postupujte podľa pokynov uvedených nižšie:

1. Zložte malý plastový kryt (7) a skrutky (6) upevňujúce pracovnú dosku pre jej demontovanie.
2. Uvoľnite dve skrutky (1) upevňujúce horný záves (5) (pravá strana) k rámu. Zložte horný záves (5).
3. Zdvihnite dvierka a postavte ich na mäkký podklad, aby ste ich nepoškriabali.
4. Uvoľnite dve skrutky (8) upevňujúce dolný záves (2) a zložte dolný záves (2).
5. Zložte ľavú prednú nožičku (4) a preneste ju na pravú stranu.
6. Pred naložením dolného závesu (2) vyberte kolík (9) a otočte smer dolného závesu (2). Potom inštalujte dolný záves (2) na ľavú stranu rámu pomocou dvoch skrutiek (8).
7. Vložte kolík (9) do dolného závesu (2).
8. Naložte dvierka na miesto a uistite sa, že sedia na dolnom závese (2).
9. So zatvorenými dvierkami v správnej pozícii pripevnite horný záves (5) na ľavú stranu horného rámu dvomi skrutkami (1). Neutahujte skrutky (1), pokiaľ nie sú dvierka správne zarovnané s hornou stranou spotrebiča.
10. Inštalujte hornú dosku spotrebiča pomocou skrutiek (6) a naložte malý plastový kryt (7).
11. Zložte rukoväť dvierok (10) z ľavej strany a pripevnite na pravú stranu.



OBRÁZOK 1



OBRÁZOK 2

OBRÁZOK 1 - PREDSTAVUJE POZÍCIU KOMPONENTOV PRED VÝMENOU.

OBRÁZOK 2 - PREDSTAVUJE POZÍCIU KOMPONENTOV PO VÝMENE DVIEROK.

5. Odstránenie možných problémov

1. AK CHLADNIČKA NEPRACUJE.
 - Skontrolujte, či nie je výpadok prúdu.
 - Skontrolujte, či je vidlice prívodného kábla pripojená k elektrickej zásuvke.
 - Skontrolujte, či nie je vypálená poistka.
2. AK CHLADNIČKA VEĽMI CHLADÍ.
 - Ovládač nastavenia teploty je nastavený na vysokú hodnotu.
 - Ak umiestnite potraviny s veľkým množstvom vlhkosti priamo pod výstup chladného vzduchu, rýchlo namrznú. Toto neznamená poruchu.
3. AK CHLADNIČKA DOSTATOČNE NECHLADÍ.
 - Potraviny sú balené veľmi tesne pri sebe, čo bráni prúdeniu chladného vzduchu.
 - Vložili ste niečo horúce alebo veľké množstvo do chladničky.
 - Dvere nie sú zatvorené správne.
 - Tesnenie dverí je poškodené.
 - Chladnička nie je vetraná.
 - Je nedostatočný priestor medzi chladničkou a stenami okolo spotrebiča a nad spotrebičom.
 - Nastavenie teploty je nesprávne.
4. PRI ROZMRAZOVANÍ VODA TEČIE PO VNÚTRI CHLADNIČKY A NA PODLAHU.
 - Skontrolujte, či nie je odtokový otvor upchatý.
 - Skontrolujte, či je odkvapkávaci zásobník umiestnený správne.
5. KEĎ SA TVORÍ KONDENZÁCIA NA VONKAJŠÍCH STENÁCH CHLADNIČKY.
 - Kondenzácia sa môže tvoriť na vonkajších stranách, keď je vysoká vlhkosť, napríklad počas vlhkého ročného obdobia. Toto je rovnaký výsledok, ako keď nalejete studenú vodu do pohára. Nejedná sa o poruchu, preto vlhkosť len utrite suchou utierkou.

6. KEĎ POČUJETE, AKO KEĎ TEČIE VODA.
 - Zvuk tečúcej vody predstavuje tok chladiacej náplne. Nejedná sa o poruchu.
7. KEĎ SA HREJÚ STENY CHLADNIČKY.
 - Bočný panel spotrebiča sa ohrieva, ak sa dvere otvárajú veľmi často, pri spustení spotrebiča a keď spotrebič pracuje v lete pri vysokej okolitej vlhkosti. V takom prípade sa nedotýkajte panela, je to výsledkom odvodu tepla zo spotrebiča a nejedná sa o poruchu chladničky.

6. Technické údaje

* Pre podrobnejšie technické informácie viď výrobný štítok na zadnom paneli chladničky.

* Právo na zmenu technických údajov vyhradené.

Благодарим Вас за приобретение данного товара.

Перед началом эксплуатации Вашего холодильника, пожалуйста, внимательно прочитайте данную инструкцию по эксплуатации, чтобы полностью воспользоваться преимуществами холодильника. Сохраняйте всю документацию для использования в будущем или для передачи последующим пользователям. Данное изделие предназначено исключительно для пользования в бытовых и аналогичных условиях, а именно:

- на кухнях для персонала магазинов, офисов и в других рабочих обстановках;
- в агроусадьбах, постояльцами отелей, мотелей и других комплексов гостиничного типа;
- в отелях типа «bed & breakfasts» (B & B).
- службами организации банкетов или аналогичными фирмами, но не для розничной торговли.

Данный прибор должен использоваться только для хранения продуктов питания, любое другое использование считается опасным и освобождает производителя от ответственности в случае любых инцидентов. Также рекомендуется ознакомиться с гарантийными условиями.

ИНФОРМАЦИЯ ПО ТЕХНИКЕ БЕЗОПАСНОСТИ

В системе холодильника содержится охлаждающий газ, он же хладагент (R600a: изобутен), и изолирующий газ (циклопентан), которые обладают высокой совместимостью с окружающей средой, но, несмотря на это, они легко воспламеняются. Рекомендуется соблюдать следующие меры предосторожности, чтобы предотвратить возникновение опасных для Вас ситуаций:

Перед началом проведения любых работ, извлеките шнур питания из сетевой розетки.

- Система охлаждения, расположенная сзади и внутри прибора, содержит хладагент. Поэтому, избегайте повреждений труб системы.
- В случае обнаружения утечки в системе охлаждения, не прикасайтесь к настенной розетке и не пользуйтесь источниками открытого пламени. Откройте окно и проветрите комнату. Затем позвоните в сервисный центр с запросом о ремонте.
- Не соскабливайте ножом или острыми предметами наледь или лед, которые могут образовываться на стенках. Таким образом можно повредить контур хладагента, утечка из которого может стать причиной возникновения пожара или повреждения глаз.
- Не устанавливайте прибор в помещениях с высокой влажностью, значительным пылевым или масляным загрязнением; избегайте непосредственного попадания на прибор воды и прямых солнечных лучей.
- Не устанавливайте прибор вблизи нагревателей или легко воспламеняемых материалов.
- Не пользуйтесь удлинителями и адаптерами.
- Не тяните и не сворачивайте чрезмерно шнур питания; не касайтесь вилки мокрыми руками.
- Не повреждайте вилку и/или шнур питания; это может стать причиной поражения электрическим током или пожара.
- Рекомендуется сохранять вилку чистой, чрезмерные пылевые наслоения на вилке могут стать причиной пожара.

- Не используйте механические инструменты или оборудование для ускорения процесса размораживания.
- Категорически запрещается использовать открытое пламя или электрическое оборудование, например, нагреватели, паровые очистители, свечи, масляные лампы и т.п., для ускорения процесса размораживания.
- Не используйте и не храните воспламеняемые аэрозоли вблизи прибора, они могут стать причиной взрыва или пожара.
- Не используйте электрические приборы внутри отсеков для хранения продуктов, если только речь не идет о приборах, рекомендованных производителем холодильника.
- Не ставьте и не храните в холодильнике воспламеняемые и легколетучие материалы, например, эфир, бензин, СНГ, пропан, аэрозольные баллончик, клеящие материалы, чистый спирт и т.п. Эти материалы могут стать причиной взрыва.
- Не храните медицинские препараты или исследовательские материалы в приборе. Хранение в холодильнике материалов, требующих строгого контроля за температурой хранения, может привести к их порче или спровоцировать неконтролируемую реакцию, которая может стать источником рисков.
- Следите, чтобы вентиляционные отверстия на корпусе прибора или в структуре, в которую осуществляется встраивание, были свободными и не загроможденными.
- Не ставьте предметы и/или емкости, наполненные водой, верху на прибор.
- Не предпринимайте попыток самостоятельного ремонта прибора. Все ремонтные работы должны выполняться только квалифицированным персоналом.
- Данным прибором могут пользоваться дети в возрасте 8 лет и старше, лица с ограниченными физическими, сенсорными и умственными способностями, а также с недостаточным опытом и знаниями, если они находятся под внимательным присмотром, получили надлежащий инструктаж по безопасному пользованию прибором и осознают связанные с ним риски.
- Детям запрещено играть с прибором. Детям без надлежащего присмотра запрещается выполнять отведенные пользователю операции очистки и обслуживания.

УТИЛИЗАЦИЯ СТАРЫХ ПРИБОРОВ



На данный прибор нанесена маркировка в соответствии с Директивой ЕС 2012/19/ЕС об отходах электрического и электронного оборудования (WEEE). Отходы электрического и электронного оборудования содержат как загрязняющие вещества (которые могут стать причиной негативных последствий для окружающей среды), так и основные компоненты (которые могут быть использованы повторно). Важно, чтобы отходы электрического и электронного оборудования подвергались специальным способам обработки, нацеленным на извлечение и правильную утилизацию всех загрязняющих веществ, а также извлечение всех материалов, пригодных для повторного использования. Каждый из нас может сделать свой вклад в защиту окружающей среды от загрязнения отходами электрического и электронного оборудования; для этого необходимо следовать некоторым общим правилам:

- отходы электрического и электронного оборудования не должны утилизироваться, как бытовые отходы;
- отходы электрического и электронного оборудования должны передаваться в соответствующие пункты сбора, находящиеся под управлением муниципальных властей или официально зарегистрированных компаний. В некоторых странах практикуется сбор габаритных отходов электрического и электронного оборудования на дому.

Во многих странах при покупке нового прибора старый можно вернуть розничному продавцу на условиях один к одному, если возвращаемое оборудование эквивалентного типа и обладает таким же функционалом, как и поставляемое оборудование.

Соответствие стандартам ЕС

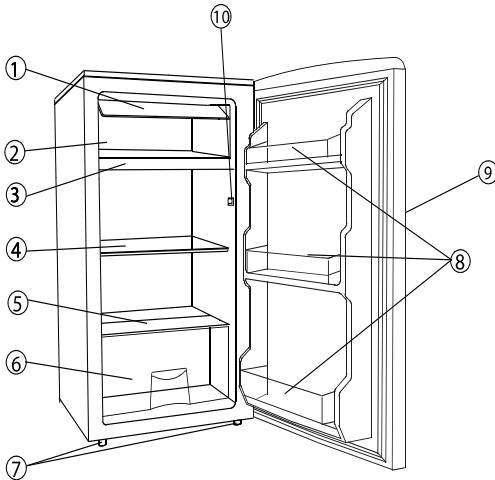


Маркировка CE, нанесенная на данное изделие, удостоверяет соответствие всем требованиям стандартов ЕС к безопасности, охране человеческого здоровья и окружающей среды, применяемых законодательством к данному изделию.

ЭНЕРГОСБЕРЕЖЕНИЕ

- Для более эффективного энергосбережения рекомендуется придерживаться некоторых приведенных далее правил.
- Устанавливать прибор в помещении с хорошей вентиляцией, вдали от источников тепла и прямых солнечных лучей.
- Не ставить горячую еду в холодильник во избежание повышения внутренней температуры, которое влечет за собой непрерывную работу компрессора.
- Не загромождать чрезмерно холодильник продуктами, чтобы обеспечивать надлежащую циркуляцию воздуха.
- Провести размораживание прибора в случае образования льда (см. РАЗМОРАЖИВАНИЕ), чтобы облегчить передачу холода.
- В случае отсутствия электроэнергии, рекомендуется держать дверцу холодильника закрытой.
- Как можно меньше открывать или держать открытой дверцу холодильника.
- Не регулировать термостат, устанавливая его на очень низкие температуры.
- Удалять пыль, имеющуюся за прибором (см. ОЧИСТКА).
- Total no frost Aduy (с дисплеем на дверце): достаньте все корзины из морозильной камеры;
- Total no frost (с внутренним интерфейсом пользователя и ручкой для морозильной камеры): достаньте другие корзины из морозильной камеры, оставив на месте нижний ящик.
- Модель не образующая наледь: достаньте другие корзины из морозильной камеры, оставив на месте нижний ящик.
- Все обычные статические модели: достаньте все ящики из морозильной камеры.

ДЕТАЛИ И КОМПОНЕНТЫ



- ① Дверца морозильной камеры
- ② Отделение морозильной камеры
- ③ Поддон для талой воды
- ④ Полки холодильной камеры
- ⑤ Стеклая полка
- ⑥ Контейнер для овощей и фруктов
- ⑦ Ножки для выравнивания холодильника
- ⑧ Дверные полки
- ⑨ Ручка
- ⑩ Дверной выключатель

2. Правильное размещение

Хорошая вентиляция

Для обеспечения хорошего рассеивания тепла, высокой эффективности охлаждения и низкого потребления электроэнергии вокруг холодильника должна быть обеспечена хорошая вентиляция. Поэтому вокруг холодильника должно быть обеспечено достаточное свободное пространство. Задняя стенка холодильника должна располагаться на расстоянии не менее 100 мм от стены, вокруг его боковых стенок должны быть свободные промежутки не менее 100 мм, а над холодильником должно быть свободное пространство не менее 200 мм. Необходимо также обеспечить свободное пространство для того, чтобы двери холодильника могли открываться на 160°.

Электропитание

Холодильник должен подключаться только к однофазной электросети переменного тока (220-240) В/50 Гц; 230 В/60 Гц. Если скачки напряжения в электросети превышают указанные пределы, то в целях безопасности подключите электроприбор через автоматический регулятор напряжения. Для холодильника должна быть использована специальная розетка питания вместо обычной розетки, используемой для других электрических приборов. На вилке и розетке, предназначенных для подключения холодильника, должен иметься заземляющий контакт.

Шнур питания

Во время эксплуатации холодильника шнур питания не должен удлиниться или сворачиваться кольцами. Кроме этого, шнур питания не должен проходить рядом с компрессором, расположенным на задней стенке электроприбора, температура которого во время работы холодильника является достаточно высокой. Касание шнуром компрессора нарушит изоляцию шнура или приведет к утечке электрического тока.

Защита от влаги

Не устанавливайте холодильник в местах с повышенной влажностью, чтобы минимизировать вероятность образования ржавчины на металлических частях электроприбора. Более того, запрещается разбрызгивать на холодильник воду, так как это может привести к ухудшению изоляции и к утечке тока.

Защита от тепла

Холодильник должен располагаться на большом расстоянии от любого источника тепла и быть защищен от воздействия прямых солнечных лучей.

Устойчивое положение

Пол, на котором устанавливается холодильник, должен быть ровным и жестким. Холодильник не должен устанавливаться на мягком материале, таком как пенопласт. Если холодильник не установлен строго горизонтально, отрегулируйте его положение с помощью ножек для выравнивания. Холодильник не должен располагаться рядом с предметами, создающими эхо.

Размещение вдали от опасных веществ

Нежелательно, чтобы рядом с холодильником находились летучие или горючие вещества, такие как газ, бензин, спирт, лак, банановая эссенция и т.п. Все вышеперечисленные материалы не могут храниться в холодильнике.

Перемещение

Запрещается располагать или перемещать холодильник в горизонтальном положении или под уклоном более чем 45° от вертикали.

3.Предостережения

- ★ Вода, содержащаяся в продуктах или в воздухе, который попадает внутрь холодильника при открытии его двери, может привести к образованию слоя инея внутри холодильника. Это приводит к снижению эффективности работы холодильника. Если толщина слоя инея превышает 2 мм, его следует разморозить.
- ★ Размораживание морозильной камеры производится вручную. Перед выполнением размораживания временно поместите пищу, лоток для приготовления льда и полку в холодильную камеру, а затем установите ручку регулятора температуры в положение "0" (после этого компрессор отключается) и оставьте дверь камеры открытой до тех пор, пока лед или иней полностью не растают и образовавшаяся при этом вода не соберется на дне морозильной камеры. После этого удалите воду с помощью мягкой ткани. Для ускорения размораживания вы можете установить в морозильную камеру миску с теплой водой (около 50°C). После размораживания не забудьте установить ручку регулятора температуры в исходное положение.

- ★ При размораживании не рекомендуется отогревать морозильную камеру непосредственно горячей водой или феном для волос во избежание деформации внутреннего корпуса.
- ★ Также не рекомендуется соскребать лед и иней с контейнеров, заполненных замороженной пищей, с помощью острых предметов или деревянных лопаточек во избежание повреждения внутренней части корпуса или поверхности испарителя.
- ★ В случае повреждения сетевого шнура его замена должна выполняться сотрудником сервисного центра, назначенного производителем, так как для выполнения этой работы необходимы специальные инструменты.

4.Изменение направления открывания двери

Данный холодильник поставляется с дверными петлями, расположенными справа. Если вы хотите перевесить дверь на другую сторону, следуйте инструкциям приведенным ниже:

1. Удалите небольшие пластиковые заглушки (7) и винты (6), которые закрепляют верхнюю крышку, чтобы снять ее.
2. Выверните два винта (1), которые крепят верхнюю петлю (5) (правая сторона) к корпусу. Снимите верхнюю петлю (5).
3. Снимите дверь, приподняв ее, и положите ее на мягкую поверхность, чтобы не поцарапать.
4. Выверните два винта (8), которые крепят нижнюю петлю (2), и снимите ее.
5. Снимите левую переднюю ножку (4) и переместите ее в правую сторону.
6. Перед установкой этой нижней петли (2) снимите болт-фиксатор (9) и переверните нижнюю петлю (2). Затем установите нижнюю петлю (2) с левой стороны нижней части корпуса, используя 2 винта (8).
7. Вставьте болт-фиксатор (9) в нижнюю петлю (2).
8. Установите дверь на место, убедившись, что она фиксируется нижней петлей (2).
9. Удерживая дверь в закрытом положении, закрепите верхнюю петлю (5) на верхней части корпуса с левой стороны с помощью двух винтов (1). Пожалуйста, не затягивайте винты (1), пока дверь не будет выравнена относительно верхней крышки.
10. Закрепите верхнюю крышку на верхней части холодильника, используя винты (6), и установите небольшие пластиковые заглушки (7).
11. Переустановите дверную ручку (10) с левой стороны на правую.

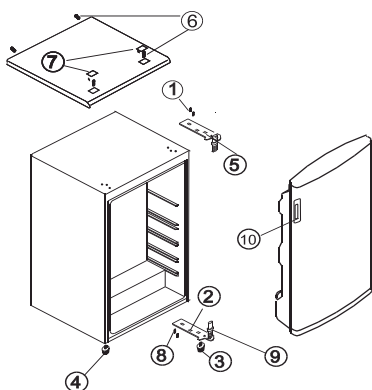


РИСУНОК 1

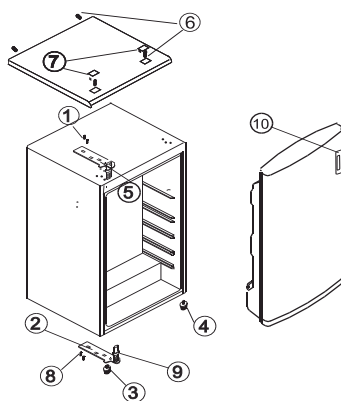


РИСУНОК 2

РИСУНОК 1 - ПОКАЗЫВАЕТ ПОЛОЖЕНИЕ ДЕТАЛЕЙ ДО ПЕРЕНАВЕШИВАНИЯ ДВЕРИ.

РИСУНОК 2 - ПОКАЗЫВАЕТ ПОЛОЖЕНИЕ ДЕТАЛЕЙ ПОСЛЕ ПЕРЕНАВЕШИВАНИЯ ДВЕРИ.

5. Поиск и устранение неисправностей

1. Если холодильник не работает
Проверьте наличие электропитания.
Проверьте, правильно ли вставлена вилка в розетку. Убедитесь, что предохранитель не перегорел.
2. Если холодильник слишком сильно охлаждает
Возможно, на терморегуляторе установлен высокий уровень охлаждения.
Если вы помещаете продукты питания с большим содержанием влаги под поток холодного воздуха, они могут очень быстро заморозиться. Это не свидетельствует о неисправности.
3. Если холодильник охлаждает не достаточно
Продукты могут лежать слишком близко друг другу, что мешает свободному прохождению холодного воздуха.
В холодильник поместили горячие продукты или слишком большое их количество.
Возможно, дверь холодильника не была плотно закрыта.
Проверьте уплотнитель двери.
Проверьте, обеспечен ли достаточный уровень вентиляции холодильника.
Возможно, вокруг холодильника слишком мало свободного пространства.
Проверьте воздушный зазор по бокам холодильника и над ним.
Возможно, на терморегуляторе выставлен неправильный температурный режим.


4. Если талая вода течет внутри холодильника или выливается на пол
Убедитесь, что дренажный трубопровод и дренажный шланг не забиты.
Убедитесь, что поддон расположен правильно.
5. Если конденсат образуется на внешней поверхности холодильника
Конденсат может образоваться на внешней поверхности при высокой влажности, например, во время сезона дождей. Этот же эффект образования конденсата возникает, когда охлажденная вода наливается в стакан. Следовательно, это не свидетельствует о неисправности. Протрите поверхность сухой тряпкой.
6. Если слышно, как в холодильнике течет вода
Звук текущей воды - это шум от текущего хладагента. Это не свидетельствует о неисправности.
7. Если нагреваются боковые панели холодильника
Боковые панели нагреваются, если дверь холодильника слишком часто открывается и закрывается, при запуске компрессора и при работе в летнее время при высокой температуре окружающей среды. Это происходит в связи с выводом наружу тепла из холодильника. В этом случае не касайтесь панели руками. Это не свидетельствует о неисправности холодильника.

6. Технические характеристики

Модели	CCTOS482WHRU
Общий объем, литры	92
Объем холодильной камеры (полезный), литры	77
Объем морозильной камеры (полезный), литры	10
Рабочее напряжение, 50 Гц	~220-240 В
Максимальная потребляемая мощность	90 Вт
Номинальный ток, А	0,5
Климатический класс	ST
Класс энергопотребления	A+
Хладагент	R600a
Габариты изделия (ВxШxГ), см	840x480x500
Масса изделия, кг	21
Серийный номер

*Технические характеристики могут быть изменены без предварительного уведомления.
Технические характеристики указаны также на паспортной табличке на задней стенке прибора.

Дополнительная информация

Торговая марка	Candy
Тип продукции	Холодильник - морозильник компрессионный
Модели	ССТOS482WHRU
Производитель	"Канди Гувер Груп С.р.л. ", Виа Комолли 16, 20861 Бругерио (Монца-э-Брианца), Италия
Фабрика	"Хома Апплаинсес Ко., Лтд.", Промышленная зона Северный Шенгуй, Наньтоу, Чжуншань, провинция Гуандун, Китай
Поставщик на территории РФ	ООО«Канди СНГ»; 115419; Москва, 2-й Рощинский пр-д, д.8; Tel: +7 (499) 110-22-11; candymow@candy.ru; www.candy.ru
Импортер	ОАО «Веста» 610035, Россия, г. Киров, ул. Производственная 24
Сертификат соответствия	 <p>Это изделие соответствует техническим регламентам Таможенного Союза: - ТР ТС 004/2011 «О соответствии низковольтного оборудования» - ТР ТС 020/2011 «Электромагнитная совместимость технических средств» Изделие сертифицировано в органе по сертификации продукции и услуг «РОСТЕСТ-МОСКВА», г. Москва. Получить копию сертификата соответствия Вы можете в магазине, где приобретался товар или, написав запрос на электронную почту candymow@candy.ru</p>
Срок службы	7 лет
Срок гарантии	12 месяцев
Серийный номер (S/N)	Серийный номер продукта состоит из 16 цифр (пример 34002267XXXXXXX), где: 1. Первые 8 цифр составляют заводской код продукта. 2. Следующие 4 цифры обозначают дату производства. Например, 1249, где: 12 – год производства (2012 год), 49 – 49-ая неделя года 3. Последние четыре цифры – номер продукта в партии.
Серийный номер указан на этикетке, расположенной на корпусе вашего прибора за дверцей с правой стороны (необходимо приоткрыть дверцу).	

Утилизация!

- Упаковочные материалы: соблюдайте местные нормы по утилизации упаковочных материалов.
- Ваш прибор не должен выбрасываться вместе с бытовым мусором. Выведенный из строя прибор должен утилизироваться в соответствии с местными нормами
- Для уточнения правил утилизации просим Вас обратиться в специализированную государственную организацию или магазин.

Сервисное обслуживание

Обслуживанием бытовой техники занимаются авторизованные сервисные центры. Список сервисных центров можно найти на сайте www.candy.ru в разделе «поддержка» или уточнить по телефону +7 (499) 110-22-11

Жалпы мағлұматтар

Аталған бұйымды сатып алғаныңыз үшін, Сізге алғыс айтамыз.

Тоңазытқыш-мұздатқышты пайдаланудан алдын **(әрі мәтін бойынша тоңазытқыш деп аталатын болады)** пайдалану бойынша аталған нұсқаулықты мұқият оқып шығыңыз. Бұл Сізге оның оңтайлы жұмыс істеуіне қол жеткізуге мүмкіндік береді. Оны бұдан кейінгі пайдалану үшін немесе басқа бір иеленушіге берген жағдайда, барлық құжаттарды сақтап қойыңыз.

Аталған бұйым тек тұрмыстық және төмендегідей осыған ұқсас қолданыстарға арналған:

- дүкендегі, кеңседегі және басқа да асханалық ғимараттарда орнату;
- мейманхана, қонақ үй және басқа да тұрғындық ғимараттардың нөмірлеріне орнату;
- «жатақ, түнейтін жер және таңертенгі ас» түріндегі қонақ үйлерде орнату
- тамақтандыру қызметін көрсету, азық-түліктерді бөлшек сауда жасауға арналмаған.

Аталған бұйым, осы нұсқаулықтың талаптарына сәйкес, тек тұрмыстық жағдайда азық-түліктерді сақтау үшін пайдаланылуы тиіс. Аталған бұйымды кез келген басқа қолданыстар, қауіпті деп қарастырылады және болуы мүмкін ысырап үшін өндіруші жауапты бола алмайды.

Сонымен бірге кепілдік шарттарына назар аударыңыз.

Тоңазытқыш қоршаған ортаның температураның төменде көрсетілген өрісінде қалыпты істейді:

SN климаттық класы үшін +10 ден +32 ° C дейін (салыстырмалы түрде суық);

N климаттық класы үшін +16 ден +32 ° C дейін (қалыпты);

ST климаттық класы үшін +10 ден +38 ° C дейін (субтропикалық);

T климаттық класы үшін +10 ден +43 ° C дейін (тропикалық);

Тоңазытқыштың класы тоңазытқыштың зауыт кестесінде көрсетілген.

Басқа жағдайларда пайдаланған кезде тоңазытқыштың энергетикалық сипаттамалары өндірушінің көрсетілген нұсқауларына сәйкес келмеуі мүмкін.

Тоңазытқышты жатын бөлмелерде пайдалануға болмайды. Тоңазытқыш жұмыс істеп тұрған кезде, атқарымдық шулар мен дыбыстардың болатынын ескеру қажет.

НАЗАР АУДАРЫҢЫЗ! Оны сақтау немесе дүлей күш әрекеттердің (өрт, дүлей апаттар) кесірінен болған, оны пайдалану шарттарын бұзудың салдарынан пайда болған, бұйымның бүлінуі және ақау үшін (соның ішінде, кепілдік кезеңінде) өндіруші жауапты емес.

Тасымалдау кезінде тоңазытқыштың бүлінген жерлерінің болмауын тексеріңіз. Оларды тапқан кезде жақын маңдағы Өкілетті Қызмет көрсету Орталығына телефон шалыңыз.

ҚАУІПСІЗДІК ТЕХНИКАСЫ БОЙЫНША ТАЛАПТАР

Тоңазытқыш қоршаған ортамен жоғары сыйымдылықты газ тәрізді хладагенттен (R600a: изобутан) және жылу айырғыш көбіктендіргіштен (HCFC141b) тұрады, алайда олар жанғыш заттар болып табылады. Қауіпті жағдайлардың алдын алу үшін келесі ережелерді сақтауға кеңес беріледі:

- **Ақау белгілері бар тоңазытқышты ешқашан қоспаңыз;** егер бұйымның ақауы бар екендігіне сізде күмән пайда болса, қызмет көрсету орталығына жүгініңіз.
- Кез келген операцияларды орындаудың алдында желілік шнурды электр розеткасынан суырып тастау қажет.
- Тоңазытқыштың ішкі жағында және артқы қабырғасында орналасқан тоңазытқыш жүйесінде, хладагент бар. Олай болса, тоңазытқыштың тоңазыту жүйесінің трубаларына зиян келтірмеу үшін, абай болу қажет.
- Егер тоңазытқыштың тоңазыту жүйесінде ағып жатқан нәрсені байқасаңыз, электр розеткасына қолыңызды тигізбеңіз және жақын жерде ашық жалынды пайдаланбаңыз. Терезені ашып,

бөлменің ішін желдетіп алыңыз. Содан кейін қызмет көрсету орталығына көмек сұрап, жүгінііз.

- Тоңазытқышта қатып қалған қалың мұзды пышақпен немесе басқа да үшкір затпен алмаңыз. Мұндай жағдайда хладагенттың сұлбасына залал келуі мүмкін, оның жүйеден шығып кетуі өрттің пайда болуына әкелуі немесе сіздің көзіңізге зиян келтіруі мүмкін.
- Ылғалды, маймен ластанған және қоқыс тасталған жерлерде электр құралдары мен аспаптарын орнатпаңыз, сонымен бірге оған су мен күн сәулесінің тікелей түсуіне жол бермейді.
- Оны жылытқыш электр құралдары мен аспаптарына жақын жерге немесе жанғыш материалдардың қасына орнатпаңыз.
- Ұзартқыш шнурлар мен жалғастырғыш тегіктерді қолданбаңыз.
- Жүйелік шнурды тым қатты тартпаңыз және майыстырмаңыз және желілік шнурдың вилкасын дымқыл, сулы қолмен ұстамаңыз.
- Ақауы бар желілік шнурды және вилкасының ақауы бар желілік шнурды пайдаланбаңыз; бұл электр тогынан немесе өрттен зардап шегуге әкелуі мүмкін.
- Желілік шнурды вилкасы таза болуы қажет, вилкада шаң-тозаңның болуы өртке әкелуі мүмкін.
- Тоңазытқыштың еріту үдерісін үдету үшін механикалық құрылғылар мен басқа да жабдықтарды пайдаланбаңыз.
- Тоңазытқыштың еріткен кезде, ашық отты және электр жылытқыш, бу тазартқыш, балауыз шам, майлы жалын және осыған ұқсас құрылғылар сияқты, электр жабдықтарын пайдалануға тыйым салынады.
- Тоңазытқышқа жақын жерде жанғыш спрейлерді, мысалы, аэрозолды қорабы бар бояуды пайдаланбаңыз. Бұл өрттің шығуына немесе жарылысқа әкелуі мүмкін.
- Егер өндіруші мұндай пайдалануға кеңес бермеген болса, азық-түліктер мен тамақ өнімдерін сақтауға арналған бөлімшелерінде электр аспаптарын пайдаланбаңыз.
- Эфир, жанармай, сұйытылған мұнай газы, газ тәріздес пропан, аэрозолды спрейдің ыдысын, желім, таза ішімдік сияқты, жанғыш және оңай ұшатын заттарды тоңазытқышта сақтамаңыз. Бұл жарылысқа әкелуі мүмкін.

- Дәрі-дәрмектер мен ғылыми зерттеуге арналған материалдарды тоңазытқышта сақтамаңыз.
- Олардың температурасын қатаң сақтау талап етілетін, материалдарды сақтаған жағдайда, мұндай материалдардың химиялық ыдырау қауіпі бар және бақылау мүмкін емес химиялық реакция болуы мүмкін, бұл қауіп-қатер туғызуы мүмкін.
- Тоңазытқыштың корпусындағы және оның ішкі жағындағы желдеткіш саңылаулар қалқаланбауы тиіс.
- Тоңазытқыштың төбесіне контейнерлер мен суы бар ыдыстарды қоймаңыз.
- Өз бетіңізше аталған тоңазытқыштың жөндеу жұмыстарын орындауға тырыспаңыз. Барлық жөндеу жұмыстары қызмет көрсету қызметінің білікті қызметкерлері арқылы орындалуы тиіс.
- Аталған тұрмыстық электр аспаптары, ақыл-ой қабілет немесе тәндік кемістігі бар тұлғалардың (соның ішіне балалар да кіреді), сонымен бірге жеткілікті тәжірибе мен білімге ие емес тұлғалардың пайдалануына арналмаған. Тек электр аспаптарын пайдалану бойынша нұсқаулықты оқып-үйренген және олардың қауіпсіздігі үшін жауапкершілікті өз мойнына алатын, тұлғалардың бақылауымен ғана, мұндай тұлғалардың электр аспаптарын пайдалануына рұқсат етіледі.
- Олардың қауіпсіздігін қамтамасыз ету үшін, балалардың электр аспаптарына жақын жерде ойнуына рұқсат етпеңіз.
- Газ плитасын қосу үшін пайдаланатын, икемді газды металл қолғаппен тоңазытқыштың артқы қабырғасына (конденсатордың торлары) жанасуға тыйым салынады.
- Тоңазытқыш орнатылған ғимараттағы желдету жүйесі, жарамды болуы қажет.
- Тоңазытқыштың құрылымын өзгертуге тыйым салынады. Барлық жөндеу жұмыстары кепілдікті жөндеу жұмыстарына өкілетті өндіруші, білікті қызметкер арқылы орындалады.

ЭНЕРГИЯНЫ ҮНЕМДЕУ

Тоңазытқыш жұмыс істеп тұрған кезде, энергияны үнемеуді арттыру үшін келесі кеңестер беріледі:

- Электр аспаптарын жылу көздерінен алыстау орнатыңыз, оған тікелей күн сәулесінің түсуіне жол бермеңіз, сонымен бірге оны жақсы желдетілген, ауасы тазартылған бөлмеге орнату қажет.
- Тоңазытқыштың ішіндегі температураның артып кетуінің алдын алу үшін және компрессордың ұзақ уақыт жұмыс істеуі үшін, тоңазытқышқа ыстық тамақты салмаңыз.
- Тоңазытқыштың ішінде ауаның қалыпты алмасуын қамтамасыз ету үшін, оған тым көп азық-түліктерді салмаңыз.
- Егер оның ішінде қалың мұз қабаты пайда болса, тоңазытқышты ерітіңіз (Ерітуді қараңыз). Бұл салқын ауаның оңай алмасуы үшін қажет.
- Электрмен қамтамасыз ету бұзылған жағдайда, мүмкіндігінше, тоңазытқыштың есігін жабық ұстау қажет.
- Тоңазытқыштың есігін барынша азырақ ашу немесе ашық ұстау қажет.
- Термостатта тым төмен температураны белгілеуден аулақ болу.
- Тоңазытқыштың сыртқы жағындағы қабырғада жиналған шаң-тозаңды тазалау (Тазалау бөлімін қараңыз).
- Тоңазытқыштың есіктеріне қойылған резеңкенің таза болуын және есікті жапқан кезде корпусқа нығыздалып жабылуын қадағалаңыз, бұл суық ауаның шығып кетуінің алдын алуға мүмкіндік береді.
- Тоңазытылған азық-түліктерді тоңазытқыш камераларында еріту қажет, өйткені олардың салқындығы тоңазытқыштың электр қуатын тұтынуын төмендетеді.

КӘДЕГЕ ЖАРАТУ

Оның қызмет ету мерзімі аяқталған соң, аталған бұйымды дұрыс кәдеге жарату, қоршаған ортаға және адамдардың денсаулығына жағымсыз және теріс әсердің алдын алуға көмектеседі.

Аталған электр аспаптарын дұрыс кәдеге жаратқан жағдайда құнды шикізаттық материалдарды қайтадан қалпына келтіруге болады! Аталған бұйым қарапайым тұрмыстық қоқыс ретінде тасталынбауы қажет. Оның орнына ол материалдарды екінші қайтара пайдалану және кейінгі кәдеге жаратуды орындау үшін электр және электрондық жабдықтардың өзінің қызмет мерзімін өтеп болған соң, жинақтау бекетіне жіберілуі қажет.

Аталған бұйымды кәдеге жарату, қоршаған ортаны қорғау бойынша жергілікті заңның талаптарына сай орындалуы тиіс.

Аталған бұйымды кәдеге жаратуға қатысты егжей-тегжейлі ақпарат жинау және оның құрамындағы материалдарды екінші қайтара пайдалану үшін, жергілікті басқару органдарына, тұрмыстық қалдықтарды кәдеге жаратудың жергілікті қызметіне немесе аталған бұйымды сатып алған дүкенге жүгіну қажет болады.

Желілік шнурды кесіп, одан электр вилкасын кесіп тастаңыз.

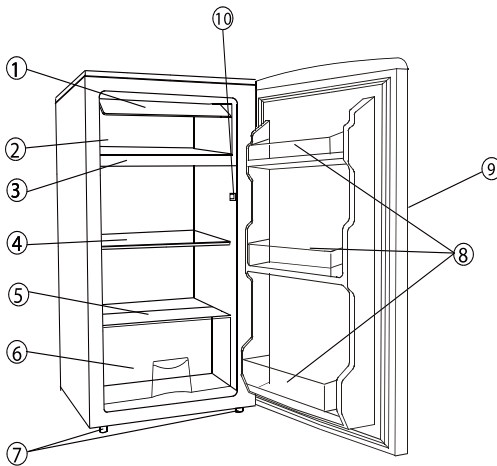
Бұйымды кәдеге жаратуды орындау үшін трубаларға зиян келтірмеңіз, өйткені оларда газ тәріздес хладагент бар.

Орауыш материалдарын кәдеге жаратуда жергілікті ережелерді орындаңыз.

Сәйкестік

Осы өнімге **CE** белгі қойып, біз осы өнім үшін заңнамаға қолданылатын барлық еуропалық қауіпсіздік, денсаулық сақтау және экологиялық талаптарға сәйкестігін растаймыз.

ДЕТАЛЬДЕР ЖӘНЕ КОМПОНЕНТТЕР



- ① Мұздатқыш камераның есікшесі
- ② Мұздатқыш камераның бөлімшесі
- ③ Еріген суға арналған табандық
- ④ Тоңазытқыш камераның сөресі
- ⑤ Шыны сөре
- ⑥ Көкөністер мен жемістерге арналған контейнер
- ⑦ Тоңазытқышты түзулеуге арналған аяқтар
- ⑧ Есік сөрелері
- ⑨ Тұтқа
- ⑩ Есік ажыратқышы

2. Дұрыс орналастыру

Жақсы желдету

Жылудың жақсы сейілуін, салқындатудың жоғары тиімділігі мен электр энергиясын төмен тұтынысын қамтамасыз ету үшін, тоңазытқыштың айналасында жақсы желдету қамтамасыз етілуге тиіс. Сондықтан, тоңазытқыштың айналасында жеткілікті бос кеңістік қамтамасыз етілген болуға тиіс. Тоңазытқыштың артқы қабырғасы қабырғадан кем дегенде 100 мм қашықтықта орналастырылуға тиіс, оның қапталдағы қабырғаларының айналасында кем дегенде 100 мм бос аралықтар болуға, ал тоңазытқыштың үстінде кем дегенде 200 мм бос кеңістік болуға тиіс. Сондай-ақ тоңазытқыштың есікшелері 160° ашыла алуы үшін бос кеңістікті қамтамасыз ету қажет.

Электр қоректендіру

Тоңазытқыш тек (220-240) В/50 Гц; 230 В/60 Гц айнымалы токтың бір фазалық электр желісіне қосылуға тиіс. Егер электр желісіндегі кернеудің ауытқуы көрсетілген шектерден асатын болса, онда қауіпсіздік мақсаттарында электр аспапты автоматты кернеуді реттеуші арқылы қосыңыз. Тоңазытқыш үшін басқа электр аспаптар үшін пайдаланылатын әдеттегі розетканың орнына арнайы қоректендіру розеткасы пайдаланылуға тиіс. Тоңазытқышты қосуға арналған аша мен розеткада жерге тұйықтағыш контакт болуға тиіс.

Қоректендіру бауы

Тоңазытқышты іске пайдалану уақытында қоректендіру бауы ұзартылмауға немесе орамдар бүктелмеуге тиіс. Сонымен қатар, қоректендіру бауы электр аспаптың артқы қабырғасында орналасқан, оның температурасы тоңазытқыш жұмыс істеп тұрған уақытта жетерліктей жоғары болып табылатын компрессордың қасынан өтпейтін болуға тиіс. Баудың компрессорға тиюі баудың оқшауламасын бұзады немесе электр тогының жылыстауына алып келеді.

Ылғалдан қорғау

Электр аспаптың металл бөліктерінде таттың түзілу мүмкіндігін барынша азайту үшін, тоңазытқышты ылғалдығы жоғары жерлерге орнатыңыз. Сондай-ақ, тоңазытқышқа су шашуға тыйым салынады, өйткені бұл оқшауламаның нашарлауына және токтың жылыстауына әкеліп соғуы мүмкін.

Жылудан қорғау

Тоңазытқыш кез келген жылу көзінен үлкен қашықтықта орналастырылуға және тура күн сәулесінің әсерінен қорғалған болуға тиіс.

Орнықты қалпы

Тоңазытқыш оның үстіне орнатылатын еден тегіс және қатты болуға тиіс. Тоңазытқыш пенопласт секілді жұмсақ материалдың үстіне орнатылмауға тиіс. Егер тоңазытқыш қатаң горизонталды түрде орнатылмаған болса, оның қалпын түзеуге арналған аяқтардың көмегімен реттеңіз. Тоңазытқыш жаңғырық тұғызатын заттардың қасында орнатылмауға тиіс.

Қауіпті заттектерден алыс орналастыру

Тоңазытқыштың қасында газ, бензин, спирт, лак, банан эссенциясы және т.т. секілді ұшқыр немесе жанғыш заттардың болмағаны дұрыс. Жоғарыда аталған материалдар тоңазытқышта сақтала алмайды.

Орын ауыстыру

Тоңазытқышты горизонталды қалпында жылжытуға немесе вертикалдан 45° астам бұрыш астында орнатуға тыйым салынады.

3.Ескертулер

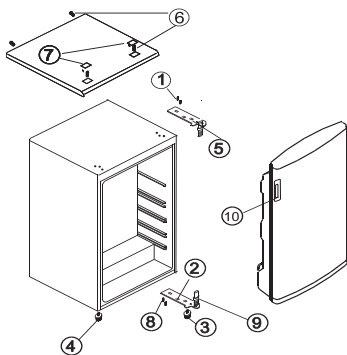
- ★ Өнімдерде немесе тоңазытқыштың есікшесін ашқан кезде оның ішіне кіретін ауада бар су тоңазытқыштың ішінде қырау қабатының түзілуіне әкеліп соғуы мүмкін. Бұл тоңазытқыштың жұмысының тиімділігінің төмендеуіне алып келеді. Егер қырау қабатының қалыңдығы 2 мм-ден асса, оны жібіту керек.
- ★ Мұздатқыш камераны жібіту қолдан жүргізіледі. Жібітуді орындаудың алдында тамақты, мұз дайындауға арналған астауша мен сөрелі тоңазытқыш камераға көшіріңіз, ал содан кейін температураны реттеуіштің тұтқасын "0" қалпына орнатыңыз (содан кейін компрессор ажыратылады) және мұз немесе қырау толық ерігенге және бұл орайда түзілген су мұздатқыш камераның түбінде жиналғанға дейін камераның есікшесін ашық қалдырыңыз. Содан кейін жиналған суды жұмсақ шүберектің көмегімен жинап тастаңыз. Жібітуді тездету үшін, сізге мұздатқыш камераның ішіне жылы су (шамамен 50°C) құйылған тостағанды қоюыңызға болады. Жібіткеннен кейін температураны реттеуіштің тұтқасын бастапқы қалпына орнатуды ұмытпаңыз.
- ★ Жібіту кезінде, ішкі корпусың деформациясынан сақтану үшін, мұздатқыш камераны тікелей ыстық сумен немесе шашқа арналған феномен жылытпауға кеңес беріледі.
- ★ Сондай-ақ, корпусың ішкі бетін немесе буландырғыштың бетін зақымдаудан сақтану үшін мұздатылған тамақ толтырылған контейнерлерден мұз бен қырауды үшкір заттардың немесе ағаш қалақшалардың көмегімен қырмауға кеңес беріледі.

- ★ Желілік бау зақымдалған жағдайда, оны ауыстыруды өндіруші тағайындаған сервистік орталықтың қызметкері орындауға тиіс, өйткені бұл жұмысты орындау үшін арнайы құрал-сайман қажет.

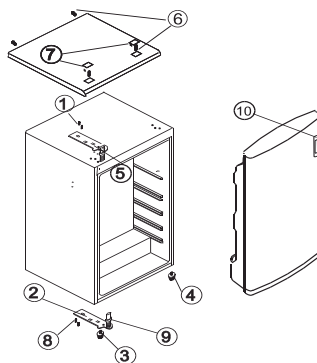
4. Есікшенің ашылу бағытын өзгерту

Бұл тоңазытқыш оң жақта орналасқан есік топсаларымен бірге жеткізіледі. Егер сіз есікшені басқа жаққа қайта ілгіңіз келсе, төменде келтірілген нұсқаулықтарды ұстаныңыз:

1. Үстіңгі қақпақты шешу үшін, оны бекітетін шағын пластик бұқтырмаларды (7) және винттерді (6) алып тастаңыз.
2. Үстіңгі топсаны (оң жақ) (5) корпусқа бекітетін екі винтті (1), бұрап алыңыз. Үстіңгі топсаны (5) шешіңіз.
3. Есікшені сәл көтеріп, шешіп алыңыз да, оған сызат түспеуі үшін жұмсақ бетке жатқызыңыз.
4. Астыңғы топсаны (2) бекітетін екі винтті (8), бұрап алыңыз да, оны шешіңіз.
5. Оң жақ алдыңғы аяқты у (4) шешіп алыңыз да, оны оң жаққа ауыстырыңыз.
6. Бұл астыңғы топсаны (2) орнатудың алдында орнықтырғыш бұранданы (9) шешіп алып, астыңғы топсаны (2) аударыңыз. Содан кейін 2 винтті (8) пайдалана отырып, астыңғы топсаны (2) корпусстың төменгі бөлігінің сол жағынан орнатыңыз.
7. Орнықтырғыш бұранданы (9) астыңғы топсаға (2) орнатыңыз.
8. Есікшенің астыңғы топсамен (2) орнықтырылатынына көз жеткізіп, оны орнына орнатыңыз.
9. Есікшені жабық қалпында ұстап тұрып, екі винттің (1) көмегімен үстіңгі топсаны (5) корпусстың үстіңгі бөлігінде оң жағынан бекітіңіз. Есікше үстіңгі қақпаққа қатысты түзетілгенге дейін винттерді (1) қатайтып тартпаңыз.
10. Винттерді (6) пайдаланып, үстіңгі қақпақты тоңазытқыштың үстіңгі бөлігінде бекітіңіз және шағын пластик бұқтырмаларды (7) орнатыңыз.
11. Есікшенің тұтқасын (10) сол жақтан оң жаққа қайта орнатыңыз.



1-ші СУРЕТ



2-ші СУРЕТ

1-ші СУРЕТ
ЕСІКШЕ ҚАЙТА ІЛІНГЕНГЕ ДЕЙІНГІ ДЕТАЛЬДЕРДІҢ ҚАЛПЫН КӨРСЕТЕДІ.

2-ші СУРЕТ
ЕСІКШЕ ҚАЙТА ІЛІНГЕННЕН КЕЙІНГІ ДЕТАЛЬДЕРДІҢ ҚАЛПЫН КӨРСЕТЕДІ

5. Ақаулықтарды іздеу және жою

1. Егер тоңазытқыш жұмыс істемесе
Электр қуатының бар екенін тексеріңіз.
Ашаның розеткаға дұрыс сұғылғанын тексеріңіз.
Сактандырғыштың жанып кетпегеніне көз жеткізіңіз.
2. Егер тоңазытқыш тым қатты салқындататын болса
Бәлкім, термореттеуіше салқындатудың жоғары деңгейі орнатылға болар.
Егер сіз ылғал құрамы жоғары тағам өнімдерін салқын ауа ағынының астына салсаңыз, олар жылдам мұздауы мүмкін. Бұл ақаулық бар екенін білдірмейді.
3. Егер тоңазытқыш жеткіліксіз салқындататын болса
Өнімдер бір біріне тым жақын жатуы, оның салқын ауаның еркін аралауын бөгет болуы мүмкін.
Тоңазытқышқа ыстық өнімдер салынған немесе олардың саны тым көп.
Бәлкім, тоңазытқыштың есікшесі тығыз жабылмаған болар.
Есікшенің тығыздағышын тексеріңіз.
Тоңазытқыштың жеткілікті желдету деңгейінің қамтамасыз етілуін тексеріңіз.
Бәлкім, тоңазытқыштың айналасында бос кеңістік тым аз болар.
Тоңазытқыштың қапталдарындағы және оның үстіндегі ауа саңылауын тексеріңіз.
Бәлкім, термореттеуіште температуралық режим дұрыс қойылмаған болар.
4. Егер еріген су тоңазытқыштың ішіне ақса немесе еденге төгілсе
Дренаждық құбыржол мен дренаждық шлангінің бітеліп қалмағанына көз жеткізіңіз.
Табандықтың дұрыс орнатылғанына көз жеткізіңіз.
5. Егер тоңазытқыштың сыртқы бетінде конденсат түзілсе
Тоңазытқыштың сыртқы бетінде конденсат жоғары ылғалдылық жағдайында, мысалы, жаңбырлы маусым уақытында түзілуі мүмкін. Конденсат түзілетін мұндай әсер салқындатылған су стакаға құйылған уақытта да туындайды. Демек, бұл ақаулық бар дегенді білдірмейді. Бетті құрғақ шүберекпен сүртіп алыңыз.
6. Егер тоңазытқышта су аққаны естілетін болса
Аққан судың дыбысы – бұл аққан тоңазытқыш агенттің дыбысы. Бұл ақаулық бар дегенді білдірмейді.
7. Егер тоңазытқыштың қапталдық панельдері қызатын болса
Қапталдық панельдер, егер тоңазытқыштың есікшесі тым жиі ашылып-жабылатын болса, компрессорды іске қосқан кезде және жаз мезгілінде қоршаған ортаның температурасы тым жоғары болған кезде қызатады. Бұл тоңазытқыштан жылудың сыртқа шығуына байланысты. Ондай жағдайда панельдерді қолмен ұстамаңыз. Бұл тоңазытқыштың ақаулығы бар дегенді білдірмейді.

8. Техникалық сипаттамалары

*Толық техникалық сипаттамаларды алу үшін, тоңазытқыштың артық қабырғасындағы төлқұжаттық табличканы қараңыз.

*Техникалық сипаттамалар алдын ала құлақтандырусыз өзгертілуі мүмкін.



Caution: risk of fire!

If the model contains R600a-(see name plate under refrigerant) the coolant isobutene is natural gas that, is very environmentally friendly but also combustible.

When transporting and installing the unit care must be taken to ensure that none of the refrigeration circuit components become damaged.



Attenzione: rischio di incendio!

Se il prodotto contiene R600a (vedere dati di targa) è un gas naturale con elevata compatibilità ambientale ma è infiammabile.

Durante il trasporto e l'installazione accertarsi che nessuno dei componenti del circuito refrigerante venga danneggiato

WARNING - Do not store explosive substances such as aerosol cans with a flammable propellant in this appliance

ATTENZIONE: N Non conservare sostanze esplosive, come bombolette spray con propellente infiammabile in questo apparecchio

Test information for refrigerator freezer or upright freezer

In order to freeze more food stuff and reach best performance, the drawers (if have) in the freezer compartment can be removed for use.

The rated data in rating label and energy label of this appliance shall be validated by testing the samples which drawers have been removed.

ENGLISH:

RECCOMENDATIONS

The fridge makes some noises when working. This is entirely normal and you might hear HUMMING, GURLING, RUSTLING AND WHISTLING, as well as slight CLICKING OR JUMPING noises.

FRENCH:

CONSEILS PRATIQUES

Durant son fonctionnement, le réfrigérateur émet quelques bruits **absolument normaux**, dont: légers BOURDONNEMENTS, GARGOUILLEMENTS, BRUISSEMENTS, CHUINTEMENTS, CLAQUEMENTS ou CLIQUETIS.

ITALIAN:

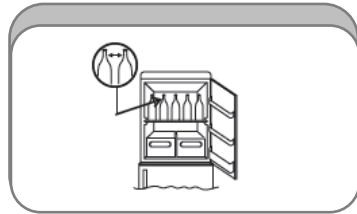
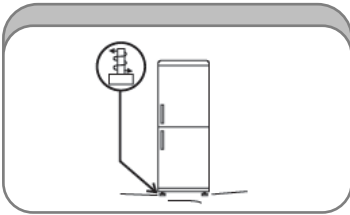
ATTENZIONE

Durante il suo funzionamento, il frigorifero emette alcuni rumori assolutamente normali, potrà capitarvi di avvertire quali: leggeri RONZII, GORGOGLI, FRUSCII e SIBILI, lievi rumori come SCHIOCCHI o SCATTI.

GERMAN:

PRAKTISCHE HINWEISE

Während des Betriebs verursacht der Kühlschrank einige absolut normale Geräusche, die Sie möglicherweise vernehmen werden. Dazu gehören: eichtes BRUMMEN, GURGELN, RAUSCHEN und RASSELN ODER ZISCHEN sowie leise Geräusche wie SCHNALZEN oder KNACKEN.



EN: Adjust the feet to level the appliance.

FR: Réglez les pieds pour aligner l'appareil.

IT: Regolare i piedini per allineare il mobile.

DE: Stellen Sie die Füßchen so ein, dass das Gerät richtig Gefasen gerade steht.

EN: Make sure glass containers do not touch in the appliances.

FR: Évitez le contact entre contenueurs et récipients en verre.

IT: Evitare il contatto tra contenitori e recipienti di vetro.

DE: Vermeiden Sie den Kontakt zwischen Behältnissen und aus Glas.

CORRECT PLACING

IT:

PRECAUZIONI E SUGGERIMENTI GENERALI

Non posizionate l'apparecchio in luoghi esterni.
L'apparecchio funziona correttamente tra queste temperature ambiente:

- +10 +32°C per la classe climatica SN
- +16 +32°C per la classe climatica N
- +18 +38°C per la classe climatica ST
- +18 +43°C per la classe climatica T
- +16 +38°C per la classe climatica N/ST

(Vedi targa dati del prodotto)



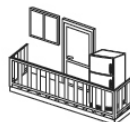
GB:

GENERAL RECOMMENDATIONS

Do not install the appliance outside.
The appliance works properly at the following temperature ranges:

- Climatic class: SN +10 +32°C
- Climatic class: N +16 +32°C
- Climatic class: ST +18 +38°C
- Climatic class: T +18 +43°C
- Climatic class: N/ST +16 +38°C

(See appliance's rating plate)



FR:

PRECAUTIONS ET SUGGESTIONS GENERALES

N'installez pas l'appareil à l'extérieur.
L'appareil fonctionne correctement aux températures ambiantes suivantes :

- +10 +32 °C pour la classe climatique SN ;
- +16 +32 °C pour la classe climatique N ;
- +18 +38 °C pour la classe climatique ST ;
- +18 +43 °C pour la classe climatique T ;
- +16 +38°C pour la classe climatique N/ST ;

(Consultez la plaque de données de l'appareil)



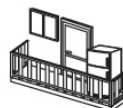
DE :

ALLGEMEINE VORSICHTSMAßNAHMEN UND EMPFEHLUNGEN

Stellen Sie das Gerät nicht in Außenbereichen auf.
Das Gerät eignet sich zum Gebrauch in folgenden Umgebungstemperaturbereichen:

- +10 +32°C bei der Klimaklasse SN
- +16 +32°C bei der Klimaklasse N
- +18 +38°C bei der Klimaklasse ST
- +18 +43°C bei der Klimaklasse T
- +16 +38°C bei der Klimaklasse N/ST

(Siehe Typenschild des Produkts)



ES :

PRECAUCIONES Y RECOMENDACIONES GENERALES

No coloque el aparato en un lugares situados al aire libre. El aparato funciona correctamente en los intervalos siguientes de temperatura ambiente:

de +10 a +32 °C para la clase climática SN
de +16 a +32 °C para la clase climática N
de +18 a +38 °C para la clase climática ST
de +18 a +43 °C para la clase climática T
de +16 a +38 °C para la clase climática N/ST
(Véase la tarjeta del producto)

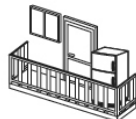


PT:

PRECAUCOES E SUGESTOES GERAIS

O aparelho funcionará correctamente entre estas temperaturas ambiente:

+10 +32°C para a classe climática SN
+16 +32°C para a classe climática N
+18 +38°C para a classe climática ST
+18 +43°C para a classe climática T
+16 +38°C para a classe climática N/ST
(Veja a placa das características do produto)



EL:

ΠΡΟΦΥΛΑΞΕΙΣ ΚΑΙ ΓΕΝΙΚΕΣ ΥΠΟΔΕΞΕΙΣ

Μην τοποθετείτε τη συσκευή σε εξωτερικό χώρο.
Η συσκευή λειτουργεί σωστά στις παρακάτω θερμοκρασίες περιβάλλοντος:

+10 +32°C στην κλιματική κλάση SN
+16 +32°C στην κλιματική κλάση N
+18 +38°C στην κλιματική κλάση ST
+18 +43°C στην κλιματική κλάση T
+16 +38°C στην κλιματική κλάση N/ST
(Βλ. πινακίδα στοιχείων του προϊόντος)

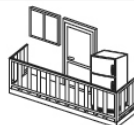


PL:

ŚRODKI OSTROŻNOŚCI I PODSTAWOWE WSKAZÓWKI

Nie umieszczać urządzenia na zewnątrz.
Urządzenie pracuje poprawnie w zakresie niżej wymienionych temperatur otoczenia:

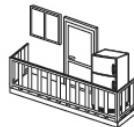
+10 +32°C dla klasy klimatycznej SN
+16 +32°C dla klasy klimatycznej N
+18 +38°C dla klasy klimatycznej ST
+18 +43°C dla klasy klimatycznej T
+16 +38°C dla klasy klimatycznej N/ST
(Patrz tabliczka znamionowa produktu)



CZ:

VŠEOBECNÁ OPATŘENÍ A DOPORUČENÍ

Spotřebič neumísťujte vo vonkajších priestoroch.
Spotřebič funguje správne pri následujících okolních teplotách:
+10 +32°C pro klimatickou třídu SN
+16 +32°C pro klimatickou třídu N
+18 +38°C pro klimatickou třídu ST
+18 +43°C pro klimatickou třídu T
+16 +38°C pro klimatickou třídu N/ST
(Viz typový štítek)



NL:

ALGEMENE VOORZORGSMAATREGELEN

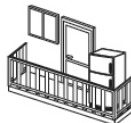
Plaats de koelkast nooit in een buitenomgeving.
Het apparaat werkt correct binnen de onderstaande omgevingstemperaturen:
+10 +32°C voor klimaatklasse SN
+16 +32°C voor klimaatklasse N
+18 +38°C voor klimaatklasse ST
+18 +43°C voor klimaatklasse T
+16 +38°C voor klimaatklasse N/ST
(Zie gegevensplaatje van het product)



FI:

TARKEAA TIETOA TURVALLISUUDESTA JA KAYTANNON NEUVOJA

Älä sijoita laitetta ulkoisiin tiloihin.
Jäähäkki toimii oikein seuraavissa ympäristön lämpötiloissa:
+10 – +32 °C ilmastoluokassa SN
+16 – +32 °C ilmastoluokassa N
+18 – +38 °C ilmastoluokassa ST
+18 – +43 °C ilmastoluokassa T
+16 – +38 °C ilmastoluokassa N/ST
(Katso kilpää)



NO:

GENERELLE FORHOLDSREGLER OG RAD

Plasser ikke apparatet utendørs.
Apparatet fungerer korrekt ved følgende romtemperaturer:
+10 +32°C for klimaklasse SN
+16 +32°C for klimaklasse N
+18 +38°C for klimaklasse ST
+18 +43°C for klimaklasse T
+16 +38°C for klimaklasse N/ST
(Se produktets merkeplate)

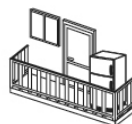


SW:

FORSIKTIGHETSÅTGÄRDER OCH ALLMÄNNA RÅD

Placera inte apparaten utomhus.
Apparaten fungerar på ett korrekt sätt på nedanstående
rumstemperaturer:

- +10 +32°C för klimatklass SN
 - +16 +32°C för klimatklass N
 - +18 +38°C för klimatklass ST
 - +18 +43°C för klimatklass T
 - +16 +38°C för klimatklass N/ST
- (Se produktens märkplåt)



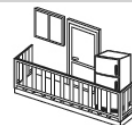
DA:

FORHOLDSREGLER OG ALMENE PÅBUD

Undlad at placere apparatet udendørs.

Apparatet fungerer rigtigt ved følgende omgivende lufttemperatur:

- +10 +32°C for klimaklasse SN
 - +16 +32°C for klimaklasse N
 - +18 +38°C for klimaklasse ST
 - +18 +43°C for klimaklasse T
 - +16 +38°C for klimaklasse N/ST
- (Jævnfør produktets mærkedata)



SL:

PRED UPORABO APARATA

Hladilni aparat bo pravilno deloval na temperaturah,
ustreznih za klimatski razred, v katerega je razvrščen (gl
tablico s podatki):

Klimatski razred Temperatura v prostoru mora biti od

- +10° do + 32°C SN
- +16° do + 32°C N
- +18° do + 38°C ST
- +18° do + 43°C T
- +16° do + 38°C N/ST



Cher client, en plus du livret de mode d'emploi, nous vous conseillons de lire les instructions contenues dans ce feuillet avec soin. Ce feuillet contient des consignes de sécurité importantes ainsi que des instructions concernant l'installation et le fonctionnement de l'indicateur de contrôle de température. Au cas où l'indicateur de contrôle de température manquerait, merci de le réclamer à votre distributeur.

1. ZONE LA PLUS FROIDE DU REFRIGERATEUR

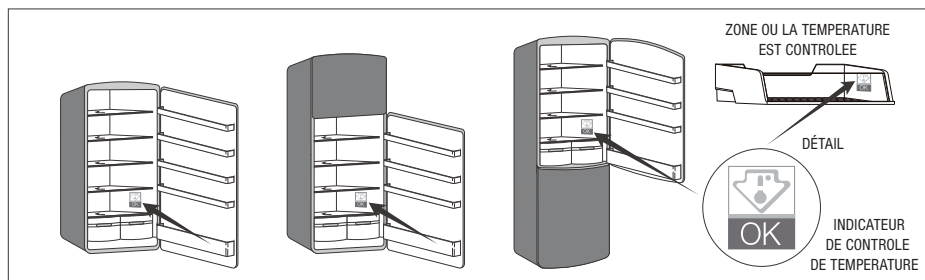
Ce symbole indique la zone la plus froide de votre réfrigérateur. Cette zone est généralement délimitée par le(s) compartiment(s) fruits et légumes en bas et le symbole ci-contre en haut.



2. INDICATEUR DE TEMPERATURE

Afin de vous aider à régler votre réfrigérateur correctement, nous avons ajouté un indicateur de contrôle de température qui surveille la température dans la zone définie comme étant la plus froide.

ATTENTION: Cet indicateur est prévu pour fonctionner uniquement avec votre réfrigérateur. Veillez à ne pas l'utiliser dans un autre réfrigérateur (la zone la plus froide n'étant à ce jour pas identique dans tous les réfrigérateurs), ou pour toute autre utilisation



VERIFICATION DE LA TEMPERATURE

En utilisant l'indicateur de contrôle de température, vous pouvez régulièrement vérifier que la température de la zone la plus froide reste correcte. Si ce n'est pas le cas, vous devrez modifier le réglage du thermostat.

La température de la pièce ainsi que la fréquence d'ouverture de la porte ont un impact sur la température intérieure. Afin de conserver une température correcte à l'intérieur du réfrigérateur, vérifiez que l'indicateur de contrôle soit vert (voir Image 1). Si l'indicateur de contrôle devient blanc (voir Image 2), cela signifie que la température est trop élevée. Dans ce cas, modifiez le réglage du thermostat et patientez 12 heures avant de contrôler à nouveau. Après avoir rempli le réfrigérateur ou après avoir ouvert la porte, il est normal que l'indicateur de contrôle devienne blanc après quelques secondes.



Image 1

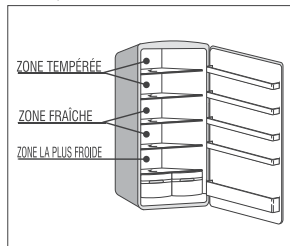


Image 2

3. REGLES D'HYGIENE ALIMENTAIRE ET GESTION DU REFRIGERATEUR

Une bonne utilisation du réfrigérateur et le respect des règles d'hygiène alimentaire contribuent de façon significative à une meilleure conservation des aliments. Nettoyer fréquemment l'intérieur du réfrigérateur avec des produits d'entretien doux, puis rincer avec de l'eau et des désinfectants ayant un pouvoir bactéricide. Retirer les emballages du commerce avant de placer les aliments dans le réfrigérateur (par exemple, emballages des pack de yaourts). Emballer systématiquement les produits pour éviter que les denrées ne se contaminent mutuellement. Ne pas réutiliser des ustensiles ayant déjà servi (cuillère en bois, planche à découper sans les avoir bien nettoyés au préalable). Attendre le refroidissement complet des préparations avant de les stocker (exemple: soupe). Limiter le nombre d'ouvertures de la porte et, en tout état de cause, ne pas la laisser ouverte trop longtemps pour éviter une remontée en température du réfrigérateur. Disposer les aliments de telle sorte que l'air puisse circuler librement à l'intérieur du réfrigérateur.

Stocker les aliments selon leur nature dans la zone appropriée et, en particulier dans la zone la plus froide: viandes, volailles, poissons, charcuteries, plats préparés, salades composées, préparations et pâtisseries à base d'œufs ou de crème, pâtes fraîches, pâte à tarte, pizza/quiches, produits frais et fromages au lait cru, légumes prêts à l'emploi vendus sous sachet plastique et plus généralement tout produit frais dont la date limite de consommation (DLC) est associée à une température de conservation inférieure ou égale à + 4°C.



Sehr geehrter Kunde, wir empfehlen Ihnen, neben dem Handbuch auch die Anweisungen auf diesem Informationsblatt zu lesen. Dieses erläutert wichtige Sicherheitsrichtlinien sowie Anweisungen zur Installation und dem Betrieb der Temperaturplakette. Sollte die Temperaturplakette fehlen, fragen Sie bitte Ihren Händler.

1. KÄLTESTER BEREICH DES KÜHLSCHRANKS

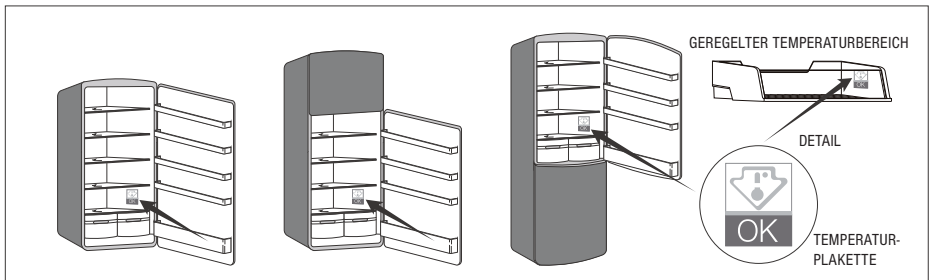
Dieses Symbol kennzeichnet den kältesten Bereich des Kühlabteils. Dieser Bereich wird normalerweise vom Obst- und Gemüsefach auf der Unterseite und dem Symbol auf der Oberseite definiert.



2. TEMPERATURANZEIGE

Um Ihren Kühlschrank richtig einzustellen, haben wir eine Temperaturplakette integriert, die die Temperatur im kältesten Bereich überwacht.

ACHTUNG: Die Temperaturanzeige ist für eine korrekte Funktion nur in Ihrem Kühlschrank ausgelegt. Verwenden Sie diese bitte nicht in anderen Kühlgeräten (der kälteste Bereich kann nämlich an einer unterschiedlichen Stelle sein) oder zu anderen Zwecken.



TEMPERATUR ÜBERWACHEN

Mit der Temperaturplakette können Sie regelmäßig prüfen, ob die Temperatur im kältesten Bereich richtig ist. Ist das nicht der Fall, muss die Position des Thermostats geändert werden.

Die Innentemperatur des Kühlschranks wird durch die Raumtemperatur und häufiges Öffnen der Kühlschranktür beeinflusst.

Um die richtige Temperatur im Kühlschrank zu bewahren, prüfen Sie, dass die Plakette grün ist (siehe Abbildung 1).

Wenn die Plakette weiß wird (siehe Abbildung 2), ist die Temperatur zu hoch. Stellen Sie das Thermostat in diesem Fall ein und warten Sie 12 Stunden, bevor Sie erneut prüfen.

Nach dem Beladen des Produkts oder dem Öffnen der Tür ist es normal, dass die Plakette für einige Sekunden weiß wird.



Abbildung 1



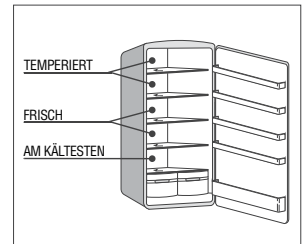
Abbildung 2

3. EINIGE HYGIENISCHE REGELN ZUR LEBENSMITTELAUFBEWAHRUNG

Die richtige Benutzung des Kühlschranks sowie die Einhaltung einiger hygienischen Regeln tragen maßgeblich zur besseren Aufbewahrung von Lebensmitteln bei. Reinigen Sie deshalb das Innere des Gerätes sorgfältig und regelmäßig mit einem milden Reinigungsmittel, spülen Sie anschließend mit Wasser und einem milden Desinfektionsmittel ab, damit eventuelle Keime und Bakterien sich erst gar nicht verbreiten können. Verpacken Sie die Lebensmittel, um zu vermeiden, dass sich die Speisen gegenseitig verunreinigen und verderben.

Verwenden Sie nicht noch einmal Küchenutensilien, die schon einmal benutzt wurden (z.B. Holzkochlöffel oder Scheidbretter), ohne sie vorher sorgfältig gereinigt zu haben. Warten Sie, bis warme Speisen (z.B. Suppen) sich vollständig abgekühlt haben, bevor Sie sie in den Kühlschrank stellen. Vermeiden Sie es nach Möglichkeit, die Tür unnötigerweise zu öffnen oder zu lange geöffnet zu halten, damit die Temperatur im Kühlschrank nicht übermäßig steigt. Verteilen Sie die Speisen so im Gerät, dass die Luftzirkulation gewährleistet ist.

Lagern Sie die Speisen im für sie geeigneten Bereich: In den kältesten Kühlbereich gehören Fleisch, Geflügel, Fisch, Wurstwaren, Süßspeisen und Zubereitungen auf Eierbasis, frische Teigwaren, Pizza bzw. Quiche, frische Milchprodukte, frisches Gemüse und generell alle frischen Produkte, deren Mindesthaltbarkeitsdatum von einer Aufbewahrungstemperatur vom maximal +4°C abhängt.



Caro cliente, oltre al libretto di istruzioni consigliamo di leggere attentamente le istruzioni contenute in questo foglio che daranno importanti indicazioni sulla sicurezza ed in particolare sull'installazione e l'utilizzo dell'indicatore della temperatura. Nel caso in cui l'indicatore fosse assente, vi preghiamo di richiederlo al vostro distributore.

1. LA ZONA PIU' FREDDA DEL FRIGORIFERO

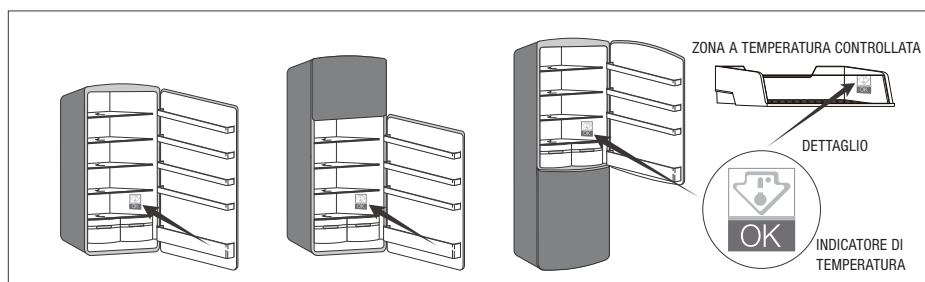
Questo simbolo indica la posizione della zona più fredda del vostro frigorifero. Normalmente questa zona è delimitata in basso dal cassetto/i dedicati alla conservazione delle frutta e verdura ed in alto dal simbolo



2. INDICATORE DELLA TEMPERATURA

Per aiutarvi a regolare correttamente il vostro frigorifero, abbiamo inserito l'indicatore di temperatura che permetterà di tenere sotto controllo la temperatura nella zona definita come la più fredda.

ATTENZIONE: L'indicatore è stato previsto per funzionare unicamente nel vostro frigorifero, non è possibile utilizzarlo all'interno di un altro frigorifero (infatti, la zona più fredda non è identica) o per un uso di altro tipo.



CONTROLLO DELLA TEMPERATURA

Utilizzando l'indicatore potrete verificare con regolarità che la temperatura della zona più fredda sia corretta, e nel caso contrario, sarà necessario modificare la posizione del termostato.

La temperatura ambiente, la frequenza nell'apertura della porta dell'apparecchio influiscono sulla temperatura interna.

Per mantenere costante la corretta temperatura all'interno dell'apparecchio, controllare che l'indicatore sia di colore verde (figura 1).

Se il colore dell'indicatore vira sul bianco (figura 2), questo significa che la temperatura è troppo elevata, in questo caso regolate il termostato e attendete 12 ore prima di effettuare nuovamente il controllo.

Dopo aver caricato il prodotto o aperto la porta, è normale che l'indicatore viri al bianco dopo qualche istante.



figura 1



figura 2

3. REGOLE D'IGIENE ALIMENTARE E GESTIONE DEL FRIGORIFERO

Un buon utilizzo del frigorifero e il rispetto delle regole d'igiene alimentare contribuiscono ad un miglioramento nella conservazione dei cibi.

Pulire frequentemente la parte interna del frigorifero con prodotti non aggressivi, o con dell'acqua e del disinfettante per combattere efficacemente i batteri. Togliere gli imballi degli alimenti prima di inserirli nel frigorifero (per esempio, imballaggi delle confezioni di yogurt).

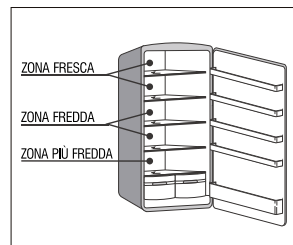
Imballare sistematicamente i prodotti per evitare la contaminazione reciproca.

Non posizionare all'interno del frigorifero stoviglie o altri contenitori dopo averli già utilizzati previo lavaggio (ad esempio, cucchiaini o coltelli contaminati da cibo).

Attendere il raffreddamento completo dei piatti cucinati prima di stocarli (es. la zuppa). Limitare il numero di aperture delle porte, e comunque non lasciare aperte le porte per lungo tempo, onde evitare che la temperatura del frigorifero salga.

Disporre gli alimenti in modo che l'aria passi liberamente all'interno di tutto il frigorifero.

Conservare gli alimenti a seconda della loro natura all'interno delle zone appropriate, ed in particolare posizionate in quella che viene definita la zona più fredda: carne, pollame, pesce, salumi o insaccati, piatti pronti, insalate miste, preparati di pasticceria a base di uova e di creme, pasta fresca, pasta della torta, pizza, prodotti freschi e formaggi di latte crudo o non pastorizzato, legumi pronti venduti senza sacchetto di plastica e più generalmente tutti i prodotti freschi la cui data di scadenza è associata a una temperatura di conservazione inferiore o uguale a + 4°C.



Dear client, apart from the instruction booklet, we recommend you read carefully the instructions contained in this information sheet. This will provide you with some important safety guidelines, as well as instructions on how to install and operate the temperature control dial. Should the temperature control dial be missing, please ask your distributor for it.

1. THE COLDEST AREA OF THE FRIDGE

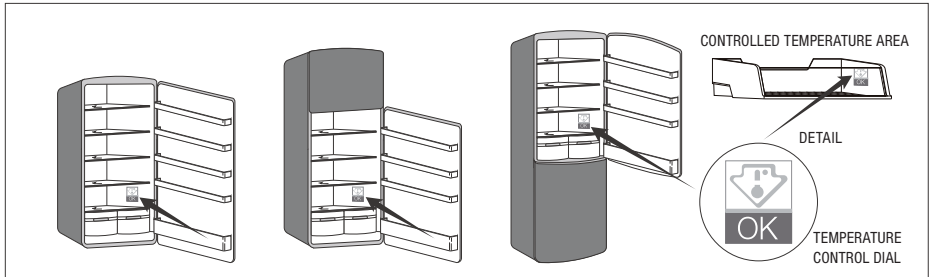
This symbol indicates the coldest area of your fridge. This area is usually defined by the fruit and vegetable compartment(s) at the bottom and the symbol shown here at the top.



2. TEMPERATURE INDICATOR

In order to help you set your fridge properly, we have included a temperature control dial which will monitor the temperature in the area defined as the coldest.

CAUTION: The indicator was designed to function exclusively in your fridge. It is not possible to use it in another fridge or for any other purposes.



TEMPERATURE CONTROL

By using the temperature control dial you will be able to check on a regular basis that the temperature of the coldest area is correct. If this is not the case, it will be necessary to change the position of the thermostat.

The room temperature and the frequency with which the fridge door is opened have an impact on the internal temperature.

In order to maintain the correct temperature inside the fridge, check that the control dial is green (see Figure 1).

If the control dial turns white (see Figure 2), it means that the temperature is too high. In that case, set the thermostat and wait 12 hours before re-checking.

After charging the product or opening the door, it is normal for the control dial to turn white after a few seconds.



figure 1



figure 2

3. FOOD HYGIENE AND FRIDGE MANAGEMENT RULES

A good use of the fridge and the compliance with food hygiene rules contribute to improving food storage.

Clean the internal part of the fridge regularly with delicate products or with water and disinfectant in order to combat bacteria effectively.

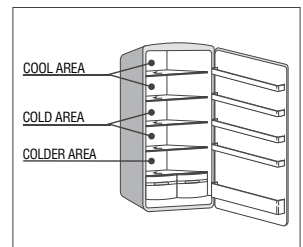
Remove all food packaging before placing it in the fridge (for instance yoghurt carton packages).

Wrap the products systematically in order to avoid mutual contamination.

Do not place any kitchenware or other containers inside the fridge after having already used them prior to washing up (for instance, spoons or knives contaminated by food).

Wait for foodstuffs to have completely cooled down prior to storage (e.g. soups). Limit the number of door openings and in any case do not leave the doors open for a long time, in order to prevent the fridge temperature from rising.

Place the foodstuffs so that the air may flow freely throughout the entire fridge. Store the foodstuffs according to their nature inside the appropriate compartments and in particular, place the following items in the coldest area: meat, poultry, cold meats or sausages, ready-made dishes, mixed salads, egg or cream based pastry products, fresh pasta, dough, pizza, fresh products and cheeses made of whole or pasteurised milk, ready-made legumes sold without plastic bag and more generally all fresh products with use-by date and associated with storage temperatures lower or equal to + 4°C.



1. Самая холодная зона в холодильнике

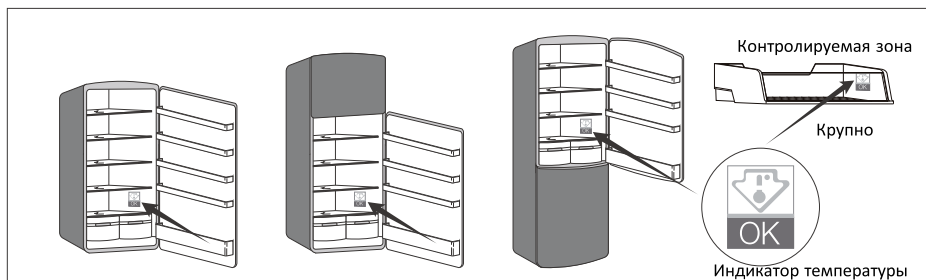
Этот символ обозначает самую холодную зону в холодильнике. Обычно она находится около Отделения для хранения овощей и фруктов и обозначается указанным символом.



2. Индикатор температуры

Для правильного выбора режима холодильника используйте прилагаемый индикатор температуры.

Индикатор сконструирован для данной конкретной модели холодильника, его нельзя использовать в другой модели.



Контроль температуры

Используя индикатор Вы сможете определить, что температура в самой холодной зоне правильная, если это не так, то нужно будет отрегулировать термостат.

Температура в комнате и частота открывания двери холодильника влияют на температуру внутри холодильника.

Для поддержания оптимальной температуры внутри холодильника следите за тем, чтобы цвет индикатора был зелёным. (см рис 1)

Если индикатор становится белым (Рис 2), это значит, что температура слишком высокая, изменяете температуру термостатом и повторите проверку через 12 часов.

Если при открывании двери индикатор становится белым на несколько секунд, это нормальное явление.



Рис1



Рис 2

3. Правила гигиены

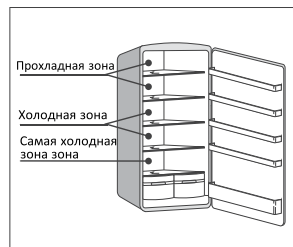
Вынимайте продукты из картонной упаковки.

Систематически заворачивайте продукты.

Не ставьте в холодильник никакие немытые столовые приборы (например, вилки ложки с остатками еды).

Не ставьте в холодильник неостывшие продукты (например, горячий суп), не держите дверь холодильника долго открытой.

Размещайте продукты так, чтобы не препятствовать движению воздуха внутри холодильника. Правильно размещайте продукты. Следующие продукты размещайте в самой холодной зоне: мясо, сосиски, готовые блюда, салаты, яйца, выпечку, пиццу, свежие продукты и сыры и, вообще, все свежие продукты с ограниченной сроком хранения и температурой хранения ниже или равной +4°C



Rear spacer

