

# **BLAUPUNKT**

HR10BT

**Owner's Manual**  
**Instrukcja obsługi**  
**Návod k obsluze**  
**Návod na použitie**  
**Használati útmutató**



*Enjoy it.*

Bluetooth home radio with clock and USB/microSD playback

Radiodtwarzacz Bluetooth/USB/microSD z zegarem

Domáci rozhlasový prijímač s hodinami, technológií Bluetooth a prehrávaním z USB/microSD

Domáce rádio s funkciou Bluetooth, hodinami a možnosťou prehrávania zo zariadení USB a kariet microSD

Otthoni rádió Bluetooth és óra funkcióval, illetve USB-/microSD-lejátszással



## IMPORTANT SAFETY INSTRUCTIONS



The marking plate is located at the bottom of the apparatus.

### Important Safety Instructions

#### Caution:

To reduce the risk of electric shock, do not remove cover (or back). No user serviceable parts inside. Refer servicing to qualified service personnel.

#### Explanation of Graphical Symbols:



The lightning flash within an equilateral triangle is intended to alert you to the presence of uninsulated dangerous voltage within the product's enclosure that may be of sufficient magnitude to constitute an electric shock to a person or persons.



The exclamation point within an equilateral triangle is intended to alert you to the presence of important operating and

To achieve the utmost in enjoyment and performance, and in order to become familiar with its features, please read this manual carefully before attempting to operate this product. This will assure you years of trouble free performance and listening pleasure.

#### Important Notes

- This safety and operating instruction should be retained for future reference.
- The apparatus should not be exposed to dripping or splashing or placed in a humid atmosphere such as a bathroom.
- Do not install the product in the following areas:
- Places exposed to direct sunlight or close to radiators.
- On top of other stereo equipment that radiate too much heat.
- Blocking ventilation or in a dusty area.
- Areas where there is constant vibration.
- Humid or moist places.
- Do not place near candles or other naked flames.
- Operate the product only as instructed in this manual.
- Before turning on the power for the first time, make sure the power adaptor is properly connected.
- Plug-in the USB stick directly or use an USB-extension cable which is not longer than 25 cm.

For safety reasons, do not remove any covers or attempt to gain access to the inside of the product. Refer any servicing to qualified personnel.

Do not attempt to remove any screws, or open the casing of the unit; there are no user serviceable parts inside. Refer all servicing to qualified service personnel.

## SAFETY INSTRUCTIONS

1. **Read Instructions** - All the safety and operating instructions must be read before

- the product is operated.
2. **Retain Instructions** - The safety and operating instructions should be kept with the product for future reference.
  3. **Heed warnings** - All warnings on the product and in the operating instructions should be adhered to.
  4. **Follow instructions** - All operating and users' instructions should be followed.
  5. **Installation** - Install in accordance with the manufacturer's instructions.
  6. **Power sources** - This product should be operated only from the type of power source indicated by the marking adjacent to the power cord entry. If you are not sure of the type of power supply to your home, consult your product dealer or local power company.
  7. **Grounding or polarization** - the product is not required to be grounded. Ensure that the plug is fully inserted into the wall outlet or extension cord receptacle to prevent blade or pin exposure. Some versions of the product are equipped with a power cord fitted with a polarized alternating line plug (a plug having one blade wider than the other). This plug will fit onto the power outlet only one way. This is a safety feature. If you are unable to insert the plug fully into the outlet, try reversing the plug. If the plug should still fail to fit, contact your electrician to replace your obsolete outlet. Do not defeat the safety purpose of the polarized plug. When using an extension power-supply cord or a power-supply cord other than that supplied with the appliance, it should be fitted with the appropriate molded plugs and carry safety approval appropriate to the country of use.
  8. **Power cord protection** - Power-supply cords should be routed so that they are not likely to be walked on, kinked or pinched by items placed on or against them, paying particular attention to cords from plugs, receptacles and the point where they exit from the product.
  9. **Overloading** - Do not overload wall outlets, extension cords, or multiple sockets, as this can result in a risk of fire or electric shock.
  10. **Ventilation** - The product must be properly ventilated. Do not place the product on a bed, sofa, or other similar surface. Do not cover the product with any items such as tablecloths, newspapers, etc.
  11. **Heat** - The product should be situated away from heat sources such as radiators, heat registers, stoves, or other products, including amplifiers that produce heat. No naked flame sources, such as lighted candles, should be placed on the apparatus.
  12. **Water and moisture** - To reduce the risk of fire or electric shock, do not expose the product to rain, dripping, splashing or excessive moisture such as in a sauna or bathroom. Do not use this product near water, for example, near a bathtub, washbowl, kitchen sink, laundry tub, in a wet basement or near a swimming pool (or similar).
  13. **Object and Liquid Entry** - Never push objects of any kind into this product through openings, as they may touch dangerous voltage points or short-circuit parts that could result in a fire or electric shock. Never spill liquid of any kind on the product. Do not place any object containing liquid on top of the product.
  14. **Cleaning** - Unplug the product from the wall outlet before cleaning. Dust in the woofer may be cleaned with a dry cloth. If you wish to use an aerosol cleaning spray, do not spray directly on the cabinet; spray onto the cloth. Be careful not to damage the drive units.
  15. **Attachments** - Do not use attachments not recommended by the product manufacturer, as they may cause hazards.
  16. **Accessories** - Do not place this product on an unstable cart, stand, tripod, bracket or table. The product may fall, causing serious injury to a child or adult, and serious



damage to the product. Use only with a cart, stand, tripod, bracket or table recommended by the manufacturer or sold with the product. Any mounting of the product should follow the manufacturer's instructions and should use a mounting accessory recommended by the manufacturer.

17. **Moving the product** - A product and cart combination should be moved with care. Quick stops, excessive force and uneven surfaces may cause the product and cart combination to overturn.
18. **Unused periods** - The power cord of the appliance should be unplugged from the outlet during lightning storms or when the apparatus is left unused for a long period of time.
19. **Servicing** - Do not attempt to service this product yourself, as opening or removing covers may expose you to dangerous voltage or other hazards. Refer all servicing to qualified service personnel.
20. Please remove the power plug from the main power source or wall power source when not in use. When plugged in to a power source, the system is in standby mode, so the power is not entirely cut off.
21. **Replacement parts** - When replacement parts are required, ensure that the service technician has used replacement parts specified by the manufacturer or have the same characteristics as the original part. Unauthorized substitutions may result in fire, electric shock or other hazards.
22. **Mains fuses** - For continued protection against fire hazard, use fuses only of the correct type and rating.
23. Do not turn up the volume while listening to a section with very low level inputs or no audio signals. If you do, the speaker may be damaged when a peak level section is suddenly played.
24. The only means of completely disconnecting the product from the power supply is by removing the power cord from the wall outlet or the product. The wall outlet or the power cord entry to the product must remain freely accessible at all times while the product is in use.
25. Try to install the product near a wall socket or extension cord and shall be easily accessible.
26. The highest environmental temperature suitable for this product is 35°C.
27. **ESD hints** - If the product maybe reset or not reset to operation of control due to electrostatic discharge, just switch off and reconnect again, or move the product to another location.
28. **Battery**
  1. The batteries must not be exposed to excessive heat such as sunshine, fire or the like.
  2. The batteries should be drawn to the environmental aspects of battery disposal.
  3. Battery usage **CAUTION**-to prevent battery leakage which may result in body injuries, property damage, or damage to the apparatus:
    - Install all batteries correctly, + and - as marked on the apparatus.
    - Do not mix batteries (old and new or carbon and alkaline, etc.)
    - Remove batteries when the unit is not used for a long time.

**WARNING**

This appliance is not intended for use by persons (including children) with reduced physical sensory or mental capabilities, or lack of experience and knowledge, unless they have been given supervision or instruction concerning use of the appliance by a person responsible for their safety. Children should be supervised to ensure that they do not play with the appliance.

1. Never use the device unsupervised! Switch off the device whenever you are not using it, even if this only for a short while.
2. The appliance is not intended to be operated by means of an external timer or separate remote control system.
3. If the supply cord is damaged, it must be replaced by the manufacturer, its service agent or similarly qualified persons in order to avoid a hazard.
4. Before operating this system, check the voltage of this system to see if it is identical to the voltage of your local power supply.
5. The unit should not be impeded by covering the ventilation opening with items such as newspaper, table-cloths, curtains etc. Make sure that there are at least 20 cm of space above and at least 5 cm of space on each side of the unit.
6. The apparatus must not be exposed to dripping or splashing and that objects filled with liquids, such as vases, must not be placed on the apparatus.
7. To prevent fire or shock hazard, do not expose this equipment to hot places, rain, moisture or dust.
8. Do not locate this unit near any water sources e.g. taps, bathtubs, washing machines or swimming pools. Ensure that you place the unit on a dry, stable surface.
9. Do not place this unit close to a strong magnetic field.
10. Do not place the unit on a amplifier or receiver.
11. Do not place this unit in a damp area as the moisture will affect the life of electric components.
12. If the system is brought directly from a cold to a warm location, or is placed in a very damp room, moisture may condense on the lens inside the player. If this occurs, the system will not operate properly. Please leave the system turned on for about an hour until the moisture evaporates.
13. Do not attempt to clean the unit with chemical solvents as this might damage the finish. Wipe with a clean, dry or slightly damp cloth.
14. When removing the power plug from the wall outlet, always pull directly on the plug, never pull on the cord.
15. Depending on the electromagnetic waves used by a television broadcast, if a TV is turned on near this unit while it is also on, lines might appear on the TV screen.

16. Neither this unit nor the TV is malfunctioning. If you see such lines, keep this unit well away from the TV set.
17. The mains plug is used as the disconnect device, the disconnect device must remain readily operable.
18. To prevent possible hearing damage, do not listen at high volume levels for long periods.



## NOTICE



This product complies with the radio interference requirements of the European community.



Your products is designed an manufactured with high quality materials and components, which can be recycled and reused.



When this crossed-out wheeled bin symbol is attached to a product it means that the product is covered by the European Directive 2002/96/EC. Please inform yourself about the local separate collection system for electrical and electronic products. Please act according to your local rules and do not dispose of your old products with your normal household waste. Correct disposal of your old product helps to prevent potential negative consequences for the environment and human health.



Your product contains batteries covered by the European Directive 2006/66/EC, which cannot be disposed with normal household waste. Please inform yourself about the local rules on separate collection of batteries because correct disposal helps to prevent negative consequences for the environmental and human health.

### **Environmental information**

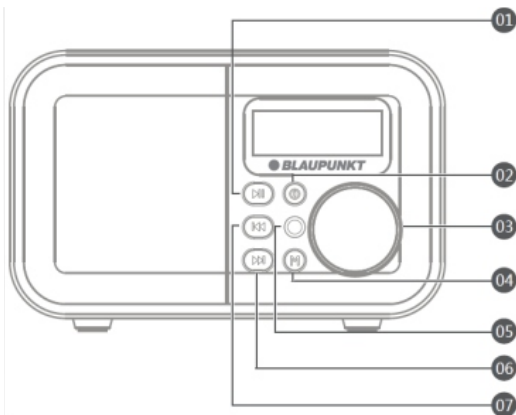
All unnecessary packaging has been omitted. We have tried to make the packaging easy to separate into three materials: cardboard(box), polystyrene foam(buffer) and poly ethylene (bags, protective foam sheet). Your system consists of material which can be recycled and reused if disassembled by a specialized company. Please observe the local regulations regarding the disposal of packaging materials, exhausted batteries and old equipment.

Recording and playback of material might require consent. See Copyright Act 1956 and The Performer's Protection Acts 1958 to 1972.

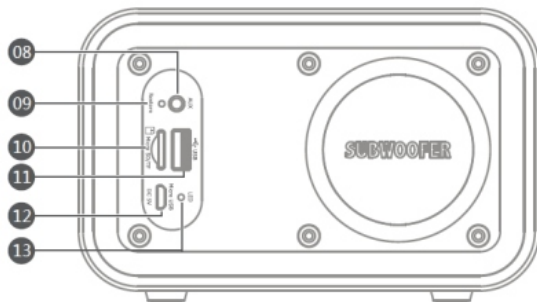


The Bluetooth® word mark and logos are registered trademarks owned by Bluetooth SIG, Inc. and any use of such marks by us is under license. Other trademarks and trade names are those of their respective owners.

## Control locations

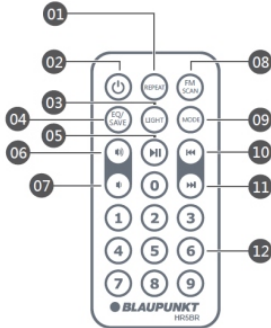


- 01— Play/Pause key for play/pause and mute function operation.
- 02— ON/OFF key for unit turn on or off.
- 03— Volume knob for volume adjustment.
- 04— Mode key to switch the play mode between clock/USB/microSD/FM/AUX IN mode.
- 05— Remote control sensor window.
- 06— Next key.
- 07— Previous key.



- 08— AUX IN jack.
- 09— Reset
- 10— MicroSD card slot.
- 11— USB port.
- 12— DC 5V power jack.
- 13— Power LED indicator.

## Remote control



- 01— Repeat button (Repeat all, random and repeat one).
- 02— Power ON/OFF button.
- 03— Light button for display backlight brightness adjustment.
- 04— EQ selection button(only for USB/microSD card playback mode)
- 05— Play/Pause button.
- 06— Volume +.
- 07— Volume -.
- 08— FM auto scan button.
- 09— Mode button for play source selection.
- 10— Previous button.
- 11— Next button.
- 12— Digits button (0~9).

### Notes:

- a. Before you use the remote control, please make sure the CR2025 battery has installed inside properly according to the polarity indication.
- b. Please remove the power insulation sheet before use the remote control.
- c. Please disposal the exhaust battery in environmental method friendly. Please reference your local government's requirement for the detail.
- d. The best operation distance for remote control is within 5 meters without any block. Please aim to the remote control sensor on unit front panel for operation.

### Unit installment and power setting

Using the supplied USB power cable connect with DC adapter; and connect another terminal of USB cable to the micro USB DC power jack on the back panel of the unit. Then plug on the DC adapter to your household power source. The red LED power indication will light up after the power connection successful. Press the power button in 2 seconds on the front panel of unit to power on/off the unit. Press the power button from remote control can standby on/off the unit. The display will light up after power on, and then you can start other operation.

**Notes:**

- a. The supplied USB power cable includes universal USB connector and micro USB connector. The universal USB connector is for DC adapter connection, and the micro USB connector is for DC power USB jack connection.
- b. Only the supplied power adapter or same rating spec adapter is allow to use for power operation.
- c. When you press off power by the power button on front panel, then the unit cannot power on by remote control due to the power is cut off completely. Please press the power button on front panel to power on the unit again.

**Display back-light adjustment (dimmer)**

Press the " LIGHT" button on remote control can adjust the display back-light brightness between high/middle and low level.

**Calendar and Time/sleep setting**

The unit include calendar and time function. Please follow up below for the operation.

1. Power on the unit, and press the " MODE" button on remote control, or press the " M" button on front panel of unit switch the play mode till the calendar and time interface show on display. In the first time using this unit, the unit will enter to calendar and time interface directly when you power on it.
2. Press the " M" button in 3 seconds on the front panel of unit till the year digits( default is " 2015") is flare on display.
3. Then turn the volume knob to adjust the desired year, and short press the " M" button to confirm year setting, meanwhile the digit for month is flare on display.
4. Turn the volume knob to adjust the month setting, and short press the " M" button to confirm the setting.
5. Please refer to the above step 3~4 to complete the following date/hour/minute and sleep time (off, 15,30,60,90,120) setting. And short press the "M" button can confirm all settings and quit the operation mode.

**Notes:**

- a. During USB/SD/AUX /FM/BLUETOOTH playing model, press and hold the " 0" digit button from remote control can check the current time information in 3 seconds; then resume to current play mode interface.
- b. If you have set the sleep time on this unit, the unit will power off automatically when the sleep count time is on.

**Alarm operation**

The unit includes 4 alarms which can wake up you when the alarm time is being. Please follow up below for the setting operation.

1. Press the " M" button on front panel of unit till enter to the calendar and time display interface.
2. Press and hold the Play/Pause button till the alarm bell icon flare on display. Turn the volume knob can \ switch from alarm1 to alarm 4.
3. Short press the " M" button to select the alarm that you want to set up; then turn the volume knob to adjust the alarm hours;
4. Short press the "M" button to confirm the hour setting, and turn the volume knob to adjust the minute setting.
5. Short press the " M" button to confirm the minute setting, then the alarm bell icon will flare on the display.
6. Short press the Play/Pause button to switch the alarm between on and off. Then remain the selection. After 5 seconds, the display will quit from the alarm setting mode to calendar and time interface. The relative alarm bell icon will light on display if you selected alarm on, which means the alarm setting is successful. And the alarm is working now.
7. To set up other alarm, please reference the above step for operation.

**Notes:**

- a. The Buzzer and FM radio are allowed to select as the alarm source. If you want to set up the FM radio as alarm source, please press the "1" digit button in 3 seconds from remote control till the "ON" show on display in FM radio mode; then the current FM radio station will set as the alarm source. To cancel the FM radio alarm source, please press the "1" digit button again till "OFF" show on display. Then the Buzzer will become the alarm source.
- b. When the alarm is ring up, press any button on front panel or remote control can cancel the alarm sound.
- c. On clock time mode, press and hold the Next button on front panel can turn off all alarm setting.
- d. The duration of alarm sound is 2 minutes; and the alarm will wake up again after 5 minutes if there is no further operation. There will repeat 2 times and off automatically in case of nobody in home.
- e. When you set up the alarm, please make sure that you have set the clock time properly.
- f. Please make sure the DC power is remained and connected with the unit. Otherwise, the alarm cannot wake up. Please double check the time and alarm setting after you removed the DC power.
- g. The alarm is workable on power off mode(display off), but DC power should remain and connect with unit properly.

**FM radio operation**

The unit built-in an antenna inside which allows you to listen the FM radio station. Before listen to the radio, please try to move the unit next to window in order to get better radio signal.

Power on the unit, press the "M" button on the front panel of unit or press the "MODE" button on remote control can enter to radio mode.

1. **Auto tune and preset:** short press the "FM SCAN" button, or press and hold "PLAY/PAUSE" button from remote control or front panel of unit in 3 seconds, the unit will scan and save the available station automatically. The unit can save up to 50 preset stations.
2. **Auto scan:** Press and hold the "Previous" and "Next" button on front panel of unit or remote control can auto scan the available station in upward or downward frequency. The unit will stop and play the available station automatically. Press the "SAVE" button on remote control can save the current station.
3. **Get a specific station:** in order to get a specific frequency station, you can input the frequency directly by the digit button on remote control. For example, you want to listen the radio frequency at "104.3 MHz", you just need key in 1-0-4-3 by the digit button of remote control. Then the unit will skip and play the defined station.
4. **Preset station picking up:** short press the "Previous" or "Next" button on remote control or front panel can pick up the preset station; Or input preset station number by digit button on remote control for picking up. For example, you want to listen the preset station number 12, please just key in 1-2 by remote control, then the related station will be played.

**USB and microSD card playback operation**

Before start the MP3 playback function, please make sure the USB or microSD card has been inserted on USB or microSD port of the unit rear panel. Also, the MP3 music has been copied and stored inside of device. The unit can support up to 32GB capacity device.

1. Press the "MODE" or "M" button enter to the USB or microSD card playback mode, the unit can auto detect and start to play the music after show the total track's number.
2. Short press the "Previous" or "Next" button can select the last or next track; press hold and release the "Previous" or "Next" button can fast-forward or fast-rewind the current playing track.
3. Key in the related number by the digit button on remote control can fast pick up and play the related track.
4. Short press the "REPEAT" button on remote control can switch the play mode between repeat all, repeat one and random. Press and hold the "M" key on front panel of unit 3 seconds can get the same operation.
5. If you want to repeat play a specific section of track, Press and hold the "REPEAT" button 3 seconds till the P—A show on display to select the start point; then press and hold the "REPEAT" button 3 seconds till display show the P--b to select the end point; Then the unit will repeat play the selected track. Press and hold the "REPEAT" button till P---E showed on display can cancel and quit the specific repeat playing function.
6. During the MP3 playback mode, short press the EQ button on remote control can change the equalizer between NORMAL/ROCK/POP/CLASS/JAZZ/BASS.



**Notes:**

- a. An extension cable for USB connection playing is not recommended, because that will impact the audio signal transfer and create noise output issue.
- b. The unit only can detect and play the music when the USB or microSD card installed.

**Bluetooth operation**

The unit includes Bluetooth function which allows you to do the audio streaming playback with other Bluetooth device.

1. Press the "MODE" or "M" button enter to the Bluetooth mode. It will have a notice sound come out from speaker when you enter the Bluetooth model successful, which means the unit is ready for pairing.
2. Turn on or enable the Bluetooth function on your Bluetooth device (smart phone etc., detail reference your device operation manual), and scan the available Bluetooth device.
3. Please check the available Bluetooth list of your device, and select "BP HR10BT" in order to start the pairing (input "0000" in case of a POP password required). There will have a notice sound come out from the radio after pairing successfully.
4. Select and play the music from your Bluetooth device, then the sound will output from the radio.
5. You can press the Previous/Next/Play/pause button to get the relative operation.
6. Press and hold the Play/Pause button 3 seconds can disconnect the pairing between the current Bluetooth device and unit. And the unit will ready to pair with other Bluetooth device.

**Phone call hands free operation:** When there have an incoming call in Bluetooth playback mode, press the Play/Pause key on front panel can pick up the call, and press the Play/Pause button again can end the call. Please kindly put your mouth talk and next to the textile speaker grill because the microphone was built in behind the speaker grill.

**Note:**

- a. Not all Bluetooth devices are guaranteed to pair successfully due to different brand and design.
- b. The best working distance for Bluetooth operation is within 10 meters without any obstacle.
- c. Please do not put your cell phone next to the unit too close in phone call hands free mode; otherwise, there will have interference and impact the sound quality reception.

**AUX IN/MP3 Link operation**

Using the supplied 3.5mm stereo to 3.5mm audio cable and connect the AUX IN jack on the rear panel of unit to other player (like MP3 player etc.). Then the unit will enter to the AUX IN playback mode directly. Select and play the music from your player, then the sound will output from radio.

Please kindly note the main control is on your player side. The radio only can adjust the volume, play/pause function in AUX IN mode.

**Specification:**

Power source: DC 5V/2A

Output power: 5W RMS.

FM frequency: 87.5~108.0MHz.

USB rating output: 100 mA.

Bluetooth version: V4.0

Power consumption: <8W

Standby power consumption: <0.7W

**Factory default:**

System time: 00: 00, 2015-01-01.

Time format: 24hours.

Sleep: OFF.

Alarm duration: 2 minutes

Volume: 15

(The specification may revise without prior notice)

**Trouble shooting**

1. The display cannot light on.
  - a. Please check if the DC power has connected properly.
  - b. Please press and hold the Power button 3 seconds to turn the unit on.
  - c. Please contact the service center for support in case of the problem remains.
2. The radio station sounds not good.
  - a. Please move the unit next to window in order to get better reception.
  - b. Please try switch to another station for listening.
  - c. Please contact the service center for support in case of the problem remains.
3. The sound in USB or microSD card mode is not good.
  - a. Please double check the USD and microSD card device was inserted properly.
  - b. Please try power off and power on the unit for playing again.
  - c. Please contact the service center for support in case of the problem remains.
4. The Bluetooth sound output intermittently.
  - a. Please try to move your Bluetooth device more close to the unit.

## WAŻNE INSTRUKCJE DOTYCZĄCE BEZPIECZEŃSTWA



Tabliczka znamionowa znajduje się na spodzie urządzenia.

### Ważne instrukcje dotyczące bezpieczeństwa

#### Przeostroga:

Aby zmniejszyć ryzyko porażenia prądem, nie wolno demontować pokrywy ani tylnej części urządzenia. Wewnątrz urządzenia nie znajdują się elementy przeznaczone do samodzielnej naprawy przez użytkownika. Konserwacją i naprawą sprzętu zajmują się wyłącznie wykwalifikowani pracownicy serwisu.

#### Objaśnienie symboli graficznych:



Symbol błyskawicy zakończony strzałką umieszczonej w trójkącie równobocznym ostrzega użytkownika przed niez izolowanym „niebezpiecznym napięciem” w obrębie obudowy urządzenia, które może osiągnąć wielkość grożącą porażeniem prądem elektrycznym.



Znak wykrzyknika w trójkącie równobocznym ostrzega użytkownika, że w tym momencie przedstawione są ważne informacje dotyczące obsługi i konserwacji sprzętu w dokumentacji, dołączonej do

Prosimy o przeczytanie tej instrukcji przed przystąpieniem do obsługi urządzenia, aby zapoznać się z jego funkcjami i wykorzystać je zgodnie z przeznaczeniem. Zapewni to długotrwałą, bezawaryjną obsługę urządzenia i przyjemność z użytkowania.

### Ważne informacje

- Należy zachować instrukcję obsługi oraz informacje dotyczące bezpieczeństwa w celu wykorzystania ich w przyszłości.
- Nie należy dopuszczać do tego, aby na urządzenie kapała lub wylewała się ciecz. Nie wolno też używać go w wilgotnych miejscach, jak np. łazienka.
- Nie wolno instalować tego urządzenia w następujących miejscach:
  - Wystawionych na bezpośrednie działanie promieni słonecznych lub w pobliżu grzejników.
  - Kłaść go na wierzchu innego sprzętu stereofonicznego który wydziela ciepło.
  - Blokując wentylację lub w zapyłonym miejscu.
  - W miejscach narażonych na ciągłe drgania.
  - W miejscach o wysokiej wilgotności.
- Nie wolno stawiać urządzenia w pobliżu świec lub otwartego ognia.
- Urządzenia można używać wyłącznie w sposób opisany w niniejszej instrukcji.
- Przed pierwszym włączeniem zasilania należy upewnić się, że zasilacz został prawidłowo podłączony.
- Pamięć USB podłącza się bezpośrednio lub przy użyciu przedłużacza USB o długości do 25 cm.

Ze względów bezpieczeństwa nie należy demontować obudów ani uzyskiwać dostępu do wnętrza urządzenia. Urządzenie powinno być naprawiane przez wykwalifikowany personel serwisu. Nie wolno rozkręcać urządzenia ani otwierać jego obudowy, gdyż wewnątrz nie ma żadnych części, które mogłyby być naprawiane przez użytkownika. Konserwacją i naprawą sprzętu zajmują się wyłącznie wykwalifikowani pracownicy serwisu.

## INSTRUKCJE DOTYCZĄCE BEZPIECZEŃSTWA

1. **Przeczytać instrukcje** – przed korzystaniem z urządzenia należy przeczytać całość instrukcji obsługi oraz informacje o bezpieczeństwie.
2. **Zachować instrukcje** – należy zachować instrukcje użytkownika i obsługi w celu wykorzystania ich w przyszłości.
3. **Przestrzegać ostrzeżeń** – należy postępować zgodnie z wszystkimi ostrzeżeniami zamieszczonymi na urządzeniu oraz zgodnie z instrukcją obsługi.
4. **Przestrzegać instrukcji** – należy postępować zgodnie z instrukcją obsługi oraz wskazówkami dla użytkownika.
5. **Instalacja** – należy ustawić urządzenie zgodnie z instrukcjami producenta.
6. **Źródła zasilania** – urządzenie powinno być zasilane wyłącznie ze źródeł o parametrach podanych na oznaczeniach na kablu zasilania. Jeżeli użytkownik nie jest pewien, jakiego rodzaju zasilaniem dysponuje w domu, powinien skontaktować się ze sprzedawcą urządzenia lub lokalnym dostawcą energii elektrycznej.
7. **Uziemienie lub polaryzacja zasilania** – urządzenie nie musi być uziemione. Należy upewnić się, że wtyczka jest do końca włożona do gniazdka sieciowego lub przedłużacza, aby nie dopuścić do odsłonięcia bolców lub styków. Niektóre wersje urządzenia mogą być wyposażone w spolaryzowaną wtyczkę prądu przemiennego (z jednym bolcem szerszym). Tę wtyczkę można włożyć do gniazdka sieciowego tylko w jeden sposób. Jest to funkcja zabezpieczająca. Jeśli nie można włożyć wtyczki do gniazda, należy spróbować ją odwrócić. Jeśli wtyczka nadal nie pasuje do gniazda, należy zlecić elektrykowi jego wymianę. Nie wolno zdejmować zabezpieczeń z wtyczki spolaryzowanej. Gdy korzysta się z przedłużacza lub kabla zasilania innego niż dostarczony razem z urządzeniem, powinny mieć właściwe wtyczki oraz atest bezpieczeństwa wymagany w danym kraju.
8. **Zabezpieczenie kabla zasilania** – kable zasilania należy poprowadzić w taki sposób, aby nie można było po nich chodzić,

- przycisnąć lub przyciąć postawionymi przedmiotami. Zwrócić szczególną uwagę na wtyczki, gniazdka sieciowe i miejsca, w którym kable są wyprowadzone z urządzenia.
9. **Przeciążanie** – nie wolno przeciążać gniazdek ściennych, przedłużaczy i rozdzielaczy elektrycznych, ponieważ grozi to wybuchem pożaru lub porażeniem prądem elektrycznym.
  10. **Wentylacja** – urządzenie musi być poprawnie wentylowane. Nie wolno ustawiać urządzenia na łóżku, sofie lub podobnych powierzchniach. Nie wolno przykrywać urządzenia obrusami, serwetkami, gazetami itd.
  11. **Ciepło** – nie ustawiać urządzenia w pobliżu źródeł ciepła, takich jak grzejniki, promienniki, piece lub innych urządzeń (również wzmacniacze) wytwarzających ciepło. Nie stawiać na urządzeniu zapalonych świec i innych źródeł otwartego ognia.
  12. **Woda i wilgoć** – aby zmniejszyć zagrożenie pożarem lub porażeniem elektrycznym, nie wolno narażać urządzenia na bezpośrednie działanie deszczu, wody i wilgoci, jak np. w saunie czy w łazience. Nie używać niniejszego urządzenia w pobliżu wody, na przykład obok wanny, umywalki, zlewu kuchennego lub balii, w wilgotnej piwnicy lub w pobliżu basenu (lub w podobnych miejscach).
  13. **Przedmioty i ciecie w urządzeniu** – nie należy wciskać jakichkolwiek przedmiotów przez otwory urządzenia, ponieważ mogą one zetknąć się z punktami niebezpiecznego napięcia i podzespołami, co może wywołać pożar lub porażenie prądem. Pod żadnym pozorem nie należy rozlewać jakichkolwiek cieczy na powierzchni urządzenia. Nie wolno kłaść na wierzchu urządzenia przedmiotów zawierających ciecze.
  14. **Czyszczenie** – należy zawsze odłączyć urządzenie od gniazdką sieciowego przed czyszczeniem. Kurz dookoła głośnika można usunąć suchą szmatką. Jeśli do czyszczenia ma być użyty aerozol, nie należy kierować rozpylanego strumienia bezpośrednio na urządzenie, ale na szmatkę. Należy uważać, aby nie uszkodzić jednostek napędowych.
  15. **Wyposażenie dodatkowe** – nie wolno używać akcesoriów, które nie są dopuszczone przez producenta, gdyż mogą stwarzać zagrożenie.
  16. **Akcesoria** – nie wolno ustawiać urządzenia na niestabilnym wózku, stojaku, statywie, wsporniku czy stole. Urządzenie może ulec przewróceniu i uszkodzeniu oraz spowodować poważne obrażenia u dziecka lub osoby dorosłej. Należy używać wyłącznie wózków, stojaków, statywów, wsporników i stołów określonych przez producenta albo sprzedawanych wraz z urządzeniem. Montaż urządzenia należy przeprowadzać zgodnie z instrukcjami producenta, przy użyciu zestawu montażowego zalecanego przez producenta.
  17. **Przenoszenie urządzenia** – urządzenie umieszczone na wózku należy przesuwać bardzo ostrożnie. Gwałtowne zatrzymanie, zbyt duża siła lub nierówne powierzchnie mogą spowodować przewrócenie wózka wraz z urządzeniem.
  18. **Okres nieużywania urządzenia** – kabel zasilania urządzenia należy odłączyć od gniazdką sieciowego w trakcie burz z wyładowaniami atmosferycznymi lub gdy urządzenie nie będzie używane przez dłuższy czas.
  19. **Serwisowanie** – nie należy próbować własnoręcznego przeglądania urządzenia. Otwieranie pokrywy może spowodować kontakt z niebezpiecznym napięciem i narazić użytkownika na inne niebezpieczeństwa. Konserwacją i naprawą sprzętu zajmują się wyłącznie wykwalifikowani pracownicy serwisu.
  20. **Gdy urządzenie nie jest używane, należy odłączyć jego wtyczkę zasilania od gniazdką sieciowego. Gdy urządzenie jest podłączone do źródła zasilania, znajduje się w trybie czuwania i nie jest całkowicie wyłączone.**

21. **Części zamienne** – przy wymianie części należy sprawdzić, czy pracownik serwisu użył części zamiennych zalecanych przez producenta lub też czy części są identyczne jak część oryginalna. Dokonywanie wymiany na niezatwierdzone części grozi wybuchem pożaru, porażeniem prądem elektrycznym lub innymi niebezpieczeństwami.
22. **Główne bezpieczniki** – aby zabezpieczyć w sposób ciągły urządzenie przed pożarem, należy używać bezpieczników właściwego typu i parametrów.
23. Nie wolno zwiększać głośności przy słuchaniu części utworu o małej głośności lub przy braku wejściowego sygnału audio. W innym wypadku może dojść do uszkodzenia głośnika przy gwałtownym wzroście natężenia sygnału.
24. Jedynym sposobem całkowitego odłączenia urządzenia od źródła zasilania jest odłączenie kabla zasilania z gniazdka zasilania lub z urządzenia. Gniazdko sieciowe lub wejście kabla zasilania do urządzenia muszą być zawsze dostępne w trakcie używania produktu.
25. Urządzenie powinno się ustawić w pobliżu gniazdka sieciowego lub przedłużacza i w taki sposób, aby zawsze było dostępne.
26. Maksymalna temperatura otoczenia urządzenia wynosi 35°C.
27. **Wskazówki dotyczące wyładowań elektrostatycznych** – jeśli działanie urządzenia jest zakłócone wyładowaniami elektrostatycznymi, należy go wyłączyć i ponownie włączyć lub przenieść urządzenie w inne miejsce.
28. **Bateria**
  - a. Baterie nie mogą być narażone na działanie nadmiernego ciepła, jak np. promieni słonecznych, ognia itp.
  - b. Podczas użycia baterii należy zwrócić uwagę na aspekty ochrony środowiska.
  - c. Przestroga dotycząca używania baterii: aby nie dopuścić do rozszczelnienia baterii, które może spowodować obrażenia ciała bądź uszkodzenie urządzenia:
    - Podczas wkładania baterii zwrócić uwagę na jej polaryzację (+ i -).
    - Nie wolno jednocześnie używać różnych baterii — starych i nowych baterii standardowych i alkalicznych itd.
    - Należy wyjąć baterie z urządzenia, gdy nie będzie ono używane przez dłuższy czas.

### **Uwaga dotycząca ERP2 (urządzeń związanych z energią)**

Niniejsze urządzenie z ekoprojektem spełnia wymagania etapu 2 Rozporządzenia Komisji (WE) nr 1275/2008 wprowadzającego dyrektywę 2009/125/WE dotyczącą poboru energii przez wyłączone i znajdujące się w trybie czuwania urządzenia elektroniczne do zastosowań biurowych i domowych.

Po upłygnięciu 60 minut bez wejściowego sygnału audio urządzenie automatycznie przejdzie w tryb czuwania. Informacje na temat przywrócenia normalnego działania można znaleźć w instrukcji obsługi.

### **Ważne informacje:**

Niniejsze urządzenie jest wyposażone w funkcję trybu oszczędzania energii: jeśli w ciągu 60 minut nie jest podawany do niego żaden sygnał wejściowy, urządzenie automatycznie przejdzie w tryb czuwania w celu oszczędzania energii (norma ERP 2). Należy zauważyć, że ustawienie niskiego poziomu głośności w źródle sygnału audio może zostać rozpoznane jako stan „braku sygnału audio”: może to mieć wpływ na zdolność wykrywania sygnału z urządzenia oraz spowodować automatycznie przejście w tryb czuwania. W takim wypadku należy przywrócić transmisję sygnału audio lub zwiększyć poziom głośności w źródle sygnału audio (odtwarzacz MP3 itp.) w celu wznowienia odtwarzania. Jeśli problem nie ustąpi, prosimy o kontakt z lokalnym serwisem.

## OSTRZEŻENIE

Urządzenie nie powinno być używane przez osoby (w tym dzieci) o obniżonej sprawności fizycznej, sensorycznej lub umysłowej oraz osoby z niewystarczającą wiedzą i doświadczeniem, jeśli nie znajdują się one pod nadzorem osoby odpowiedzialnej za ich bezpieczeństwo i nie zostały poinstruowane jak bezpiecznie używać urządzenia. Obecność osób dorosłych jest wymagana, jeśli urządzenie obsługują dzieci; pozwoli to zapewnić bezpieczne korzystanie z urządzenia.

1. Nie wolno pozostawić pracującego urządzenia bez nadzoru! Należy wyłączyć urządzenie, gdy nie jest ono używane, nawet przez krótką chwilę.
2. Urządzenia nie wolno obsługiwać za pośrednictwem zewnętrznego zegara z układem czasowym ani za pomocą oddzielnego układu ze zdalnym sterowaniem.
3. Aby uniknąć zagrożenia w przypadku uszkodzenia przewodu zasilania, wymianę powinien wykonać producent, autoryzowany punkt serwisowy lub inna osoba posiadająca odpowiednie kwalifikacje.
4. Przed przystąpieniem do obsługi urządzenia należy sprawdzić, czy jego napięcie odpowiada napięciu występującemu w lokalnej sieci zasilającej.
5. Nie wolno zakrywać otworów wentylacyjnych urządzenia np. gazetami, obrusem, zasłonami itp. Należy upewnić się, że nad urządzeniem jest co najmniej 20 cm wolnego miejsca, a z każdej jego strony — co najmniej 5 cm.
6. Nie należy dopuszczać do tego, aby na urządzenie kapała lub wylewała się ciecz, ani nie należy stawiać na nim przedmiotów wypełnionych cieczami, takich jak wazonny.
7. Aby uniknąć pożaru lub porażenia prądem elektrycznym, należy chronić urządzenie przed gorącymi miejscami, działaniem deszczu, wilgoci i pyłu.
8. Nie wolno ustawiać urządzenia w pobliżu jakichkolwiek źródeł wody, np. kranów, wanien, pralek lub basenów pływakich. Urządzenie należy ustawić na równym i stabilnym podłożu.
9. Nie wolno narażać urządzenia na silne pole magnetyczne.
10. Nie wolno stawiać urządzenia bezpośrednio na wzmacniaczu lub amplitunerze.
11. Nie wolno stawiać urządzenia w wilgotnym miejscu, gdyż wilgoć ma szkodliwy wpływ na podzespoły elektryczne.
12. Po wniesieniu urządzenia z zimnego do ciepłego miejsca lub do wilgotnego miejsca może dojść do kondensacji wilgoci na soczewce wewnątrz odtwarzacza. W takiej sytuacji urządzenie nie będzie działać prawidłowo. Należy pozostawić włączone urządzenie na około jedną godzinę, aby umożliwić odparowanie wilgoci.
13. Nie wolno czyścić urządzenia rozpuszczalnikami chemicznymi, gdyż mogą one zniszczyć lakier obudowy. Urządzenie wyciera się czystą, suchą lub nieznacznie zwilżoną ściereczką.
14. Podczas wyciągania wtyczki z gniazdka ściennego należy zawsze ciągnąć za wtyczkę, nigdy za kabel zasilania.
15. Gdy włączone urządzenie jest używane w pobliżu włączonego telewizora, może to być źródłem zakłóceń obrazu w postaci linii na ekranie. Zależy to od pasma fal transmisji TV. Nie oznacza to nieprawidłowego działania urządzenia ani telewizora. Jeśli są widoczne takie linie, należy odsunąć urządzenie od telewizora.
16. Wtyczka sieciowa jest używana do odłączania napięcia zasilającego i powinna być zawsze dostępna.
17. Aby nie dopuścić do ewentualnej utraty słuchu, nie wolno słuchać głośno muzyki przez dłuższy czas.



## UWAGA



Niniejsze urządzenie spełnia wymagania dyrektyw europejskich dotyczących zakłóceń radiowych.



Produkt został wyprodukowany z wysokiej jakości materiałów i podzespołów, które można poddać recyklingowi i ponownie użyć.



Jeśli na urządzeniu znajduje się znak przekreślonego kosza na śmieci, oznacza to, że produkt jest objęty postanowieniami dyrektywy europejskiej 2002/96/WE. Należy zapoznać się z wymaganiami dotyczącymi lokalnego systemu zbiórki odpadów elektrycznych i elektronicznych. Należy postępować zgodnie z lokalnymi przepisami. Nie wolno wyrzucać tego produktu razem ze zwykłymi odpadami domowymi. Prawidłowe usunięcie starego produktu zapobiegnie potencjalnym negatywnym skutkom dla środowiska naturalnego i zdrowia ludzkiego.



Urządzenie jest wyposażone w baterie objęte dyrektywą europejską 2006/66/WE. Baterii nie wolno wyrzucać razem z odpadami gospodarstwa domowego. Należy zapoznać się z lokalnymi przepisami dotyczącymi oddzielnej zbiórki baterii, ponieważ prawidłowa utylizacja zapobiegnie potencjalnym negatywnym skutkom dla środowiska naturalnego i zdrowia ludzkiego.

### Informacje o ochronie środowiska naturalnego

Opakowanie zawiera tylko niezbędne elementy. Dołożono wszelkich starań, aby trzy materiały składowe opakowania były łatwe do oddzielenia: karton (pudełko), pianka polistyrenowa (zabezpieczenia wewnątrz) i polietylen (torebki, arkusz ochronny). Urządzenie wyprodukowano z materiałów, które można poddać recyklingowi i użyć ponownie po ich demontażu przez wyspecjalizowaną firmę. Należy przestrzegać lokalnych przepisów dotyczących utylizacji materiałów opakowaniowych, zużytych baterii i niepotrzebnych urządzeń.

Nagrywanie i odtwarzanie materiałów może wymagać uzyskania zgody. Patrz ustawa o prawach autorskich i prawach wykonawców/artystów.

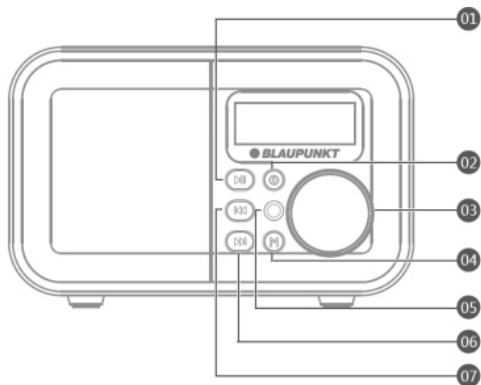


Właścicielem znaków towarowych i logo Bluetooth® jest firma Bluetooth SIG, Inc. USA.

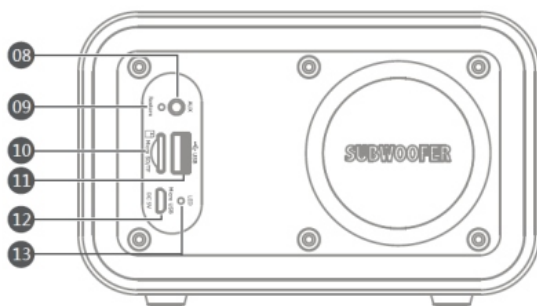
Użycie tych znaków i logo podlega licencji. Inne znaki i nazwy handlowe należą do odpowiednich właścicieli.



## Położenie elementów sterujących

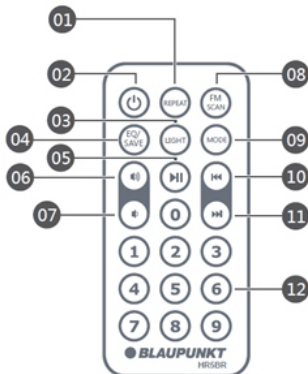


- 01— Przycisk odtwarzania/pauzy/wyciszenia.
- 02— Przycisk włączenia/wyłączenia urządzenia.
- 03— Pokrętko do regulacji głośności.
- 04— Przycisk do przełączania trybu pracy — zegar/USB/microUSB/AUX IN.
- 05— Czujnik pilota zdalnego sterowania.
- 06— Przycisk kolejnego utworu.
- 07— Przycisk poprzedniego utworu.



- 08— Gniazdo AUX IN.
- 09— Reset
- 10— Gniazdo karty microSD.
- 11— Port USB.
- 12— Wejście zasilania 5 V prądu stałego
- 13— Dioda LED zasilania.

## Zdalne sterowanie



- 01— Przycisk powtarzania (powtarzaj wszystko, losowo i powtarzaj jeden raz).
- 02— Przycisk włączania i wyłączania zasilania.
- 03— Przycisk LIGHT do regulacji jasności podświetlenia.
- 04— Przycisk EQ/SAVE wyboru ustawień korektora graficznego (działa tylko w trybie USB odtwarzania z pamięci USB/karty microSD).
- 05— Przycisk odtwarzania/pauzy.
- 06— Zwiększenie głośności.
- 07— Zmniejszenie głośności.
- 08— Przycisk skanowania FM.
- 09— Przycisk trybu pracy do wyboru źródła sygnału.
- 10— Przycisk poprzedniego utworu.
- 11— Przycisk następnego utworu.
- 12— Przyciski numeryczne (0–9).

### Uwagi:

- a. Przed przystąpieniem do korzystania z pilota należy upewnić się, że zainstalowano w nim baterię Cr2025 z zachowaniem polaryzacji.
- b. Należy zdjąć folię izolacyjną przed użyciem pilota.
- c. Zużyte baterie należy wyrzucać do przeznaczonych do tego celu pojemników. Informacje na temat recyklingu baterii można uzyskać w samorządzie lokalnym.
- d. Zasięg roboczy pilota zdalnego sterowania wynosi 5 metrów (bez przeszkód między urządzeniami). Skieruj pilota na czujnik znajdujący się na przednim panelu.

### Konfigurowanie oraz włączenie/wyłączenie urządzenia

Podłącz dostarczony kabel USB do zasilacza sieciowego, a jego drugi koniec kabla USB do gniazda microUSB zasilania na panelu tylnym urządzenia. Następnie podłącz zasilacz sieciowy do gniazda sieciowego. Po pomyślnym podłączeniu na urządzeniu włączy się czerwona dioda LED.

Naciśnij i przytrzymaj przez 2 sekundy przycisk włączenia/wyłączenia na panelu przednim, aby włączyć/wyłączyć zasilanie urządzenia. Naciśnij przycisk zasilania na pilocie, aby włączyć/wyłączyć urządzenie. Wyświetlacz włączy się po włączeniu zasilania. Można następnie przystąpić do obsługi urządzenia.

**Uwagi:**

- a. Dostarczony kabel USB ma dwie wtyczki — uniwersalną USB i microUSB. Uniwersalna wtyczka USB służy do podłączenia zasilacza sieciowego, a wtyczka microUSB do podłączenia zasilania prądem stałym do gniazda w urządzeniu.
- b. Urządzenie można zasilać tylko dostarczonym razem z nim zasilaczem lub zasilaczem o identycznych parametrach znamionowych.
- c. Po wyłączeniu urządzenia przyciskiem zasilania na panelu przednim nie można go obsługiwać pilotem, ponieważ zasilanie jest całkowicie odłączone. Naciśnij ponownie przycisk zasilania na panelu przednim, aby włączyć zasilanie urządzenia.

**Regulacja podświetlenia wyświetlacza (przyciemnienia)**

Naciśnij przycisk LIGHT na pilocie, aby dostosować poziom jasności podświetlenia wyświetlacza; można wybrać ustawienie wysokie, średnie i niskie.

**Ustawienie czasu/uśpienia**

Urządzenie ma funkcję zegara czasu rzeczywistego i uśpienia. Postępuj zgodnie z poniższymi instrukcjami, aby obsługiwać urządzenie.

1. Włącz zasilanie urządzenia i naciśnij przycisk MODE na pilocie lub przycisk M na panelu przednim aż do wyświetlenia trybu zegara na wyświetlaczu. Przy pierwszym użyciu urządzenia i włączeniu zasilania na jego wyświetlaczu pojawi się zegar.
2. Naciśnij i przytrzymaj przez 3 sekundy przycisk M na panelu przednim, aż zaczną migać cyfry godzin.
3. Obracaj pokrętkę głośności, aby ustawić żądaną godzinę i krótko naciśnij przycisk M, aby potwierdzić ustawienie; zaczną migać cyfry minut.
4. Obracaj pokrętkę głośności, aby ustawić żądane minuty i krótko naciśnij przycisk M, aby potwierdzić ustawienie. Radioodtwarzacz przejdzie do trybu ustawienia uśpienia.
5. Obracaj pokrętkę regulacji głośności, aby ustawić czas uśpienia (wyłączona, 15, 30, 60, 90, 120 minut). Naciśnij krótko przycisk M, aby potwierdzić wszystkie ustawienia i zamknąć ten tryb.

**Uwagi:**

- a. W trybie odtwarzania USB/SD/AUX IN/FM naciśnij i przytrzymaj przycisk numeryczny 0 na pilocie, aby sprawdzić bieżącą godzinę (wskazanie przez 3 sekundy); urządzenie powróci następnie do bieżącego trybu pracy.
- b. Po ustawieniu czasu uśpienia urządzenie wyłączy się automatycznie po odliczeniu czasu uśpienia.

**Obsługa alarmu**

Urządzenie obsługuje 2 alarmy z budzeniem. Postępuj zgodnie z poniższymi instrukcjami, aby przeprowadzić ustawienie.

1. Naciśnij i przytrzymaj przycisk M na panelu przednim, aż do wyświetlenia zegara.
2. Naciśnij i przytrzymaj przycisk odtwarzania/pauzy, aż na wyświetlaczu zacznie migać ikona dzwonka. Obróć pokrętkę głośności, aby wybrać alarm od 1 do 2.
3. Naciśnij krótko przycisk M, aby wybrać alarm, który chcesz ustawić, a następnie obracaj pokrętkę głośności, aby ustawić godzinę alarmu.
4. Naciśnij krótko przycisk M, aby potwierdzić ustawienie, a następnie obracaj pokrętkę głośności, aby ustawić minuty alarmu.
5. Naciśnij krótko przycisk M, aby potwierdzić ustawienie minut; na wyświetlaczu zacznie migać ikona dzwonka.
6. Naciśnij krótko przycisk odtwarzania/pauzy, aby włączyć/wyłączyć alarm. Nie naciskaj przycisków. Jeśli w ciągu 5 sekund nie zostanie wykonana żadna operacja, tryb ustawień alarmu zostanie anulowany i nastąpi powrót do wskazania zegara. Po włączeniu alarmu upewnij się, że na wyświetlaczu widać ikonę alarmu, co oznacza jego pomyślne ustawienie. Alarm działa prawidłowo.
7. Aby skonfigurować kolejny alarm, wykonaj przedstawione powyżej czynności.

**Uwagi:**

- a. Jako źródło alarmu można wybrać radio FM i sygnał dźwiękowy. Jeśli chcesz ustawić radio FM jako źródło alarmu, naciśnij i przytrzymaj przez 3 sekundy przycisk numeryczny 1 na pilocie, aż do wyświetlenia symbolu włączenia ON w trybie radia FM; bieżąca stacja radiowa FM zostanie ustawiona jako źródło alarmu. Aby anulować radio FM jako źródło alarmu, naciśnij i przytrzymaj ponownie przycisk numeryczny 1 na pilocie, aż do wyświetlenia symbolu wyłączenia OFF. Spowoduje to ustawienie sygnału dźwiękowego jako źródła alarmu.
- b. Odtwarzany alarm można wyłączyć dowolnym przyciskiem na panelu przednim lub pilocie.
- c. Gdy jest wyświetlany zegar, naciśnij i przytrzymaj przycisk następnego utworu na panelu przednim, aby wyłączyć wszystkie ustawienia alarmu.
- d. Czas trwania alarmu wynosi 2 minuty; dźwięk będzie odtwarzany ponownie za 5 minut, gdy nie zostanie naciśnięty żaden przycisk. Alarm zostanie powtórzony 2 razy i wyłączony automatycznie, gdy nikogo nie ma w domu.
- e. Przed przystąpieniem do ustawiania alarmu należy upewnić się, że zegar został poprawnie ustawiony.
- f. Należy upewnić się, że zasilacz sieciowy jest podłączony do urządzenia. W innym wypadku alarm nie włączy się. Po odłączeniu zasilacza sieciowego należy sprawdzić i ponownie ustawić zegar i alarm.
- g. Alarm działa po wyłączeniu zasilania (przy wyłączonym wyświetlaczu), ale zasilacz sieciowy musi być cały czas podłączony do urządzenia.

**Obsługa radia FM**

Radio ma wbudowaną antenę do słuchania stacji FM. Przed przystąpieniem do słuchania stacji FM można ustawić radio w pobliżu okna, aby uzyskać lepszy odbiór sygnału radiowego.

Włącz zasilanie urządzenia i naciskaj przycisk M na panelu przednim lub przycisk MODE na pilocie aż do wyświetlenia trybu radia.

1. **Automatyczne strojenie i programowanie stacji:** naciśnij krótko przycisk FM SCAN lub naciśnij i przytrzymaj przez 3 sekundy przycisk odtwarzania/pauzy na pilocie lub panelu przednim, aby rozpocząć automatyczne skanowanie i zapisywanie stacji radiowych FM. Urządzenie umożliwia zapisanie maksymalnie 50 stacji.
2. **Automatyczne skanowanie:** naciśnij i przytrzymaj przycisk poprzedniego i następnego utworu na panelu przednim lub pilocie, aby automatycznie skanować dostępne stacje w górę lub w dół pasma. Urządzenie zatrzyma się i odtworzy automatycznie dostępną stację. Naciśnij przycisk SAVE na pilocie, aby zapisać bieżącą stację.
3. **Wywołanie danej stacji:** aby ustawić stację o danej częstotliwości, można naciskać przyciski numeryczne na pilocie. Aby ustawić stację o częstotliwości 104,3 MHz, naciśnij przyciski numeryczne 1-0-4-3 na pilocie zdalnego sterowania. Urządzenie dostrzeże się i odtworzy tę stację.
4. **Wybieranie zaprogramowanych stacji:** naciśnij krótko przycisk poprzedniego lub następnego utworu na panelu przednim lub pilocie, aby wybrać zaprogramowaną stację; można też wybrać stację, naciskając przyciski numeryczne na pilocie. Aby słuchać zaprogramowanej stacji nr 12, naciśnij przyciski numeryczne 1-2 na pilocie zdalnego sterowania; stacja zostanie odtworzona.

**Obsługa odtwarzania z pamięci USB/kart microSD**

Przed przystąpieniem do odtwarzania MP3 należy sprawdzić, czy podłączono pamięć USB do portu USB lub włożono kartę microSD do gniazda z tyłu urządzenia. Na urządzeniach pamięci muszą być skopiowane pliki muzyczne MP3. To urządzenie obsługuje pamięci o pojemności do 32 GB.

1. Naciśnij przycisk MODE lub M, aby przełączyć się w tryb odtwarzania z pamięci USB lub karty microSD. Urządzenie automatycznie wykryje muzykę i rozpocznie odtwarzanie po wyświetleniu łącznej liczby plików.
2. Naciśnij krótko przycisk poprzedniego lub następnego utworu, aby wybrać poprzedni lub następny utwór; naciśnij i przytrzymaj przycisk poprzedniego lub następnego utworu, aby szybko przewijać utwór do tyłu lub do przodu.

3. Naciśnij przyciski numeryczne na pilocie, aby szybko wybrać i odtworzyć utwór o danym numerze.
4. Naciśnij krótko przycisk REPEAT na pilocie, aby wybrać tryb powtarzania: jednego utworu i wszystkich utworów lub odtwarzania losowego. Naciśnij i przytrzymaj przez 3 sekundy przycisk M na panelu przednim, aż do uzyskania tej samej operacji.
5. Jeśli chcesz powtórzyć odtwarzanie pewnego fragmentu utworu, naciśnij i przytrzymaj przez 3 sekundy przycisk REPEAT aż do wyświetlenia symbolu P-A na wyświetlaczu w celu wybrania początku fragmentu; następnie naciśnij i przytrzymaj przez 3 sekundy przycisk REPEAT aż do wyświetlenia symbolu P-b w celu wybrania końca. Urządzenie będzie powtarzał wybrany fragment. Naciśnij i przytrzymaj przycisk REPEAT aż do wyświetlenia symbolu P-E na wyświetlaczu; spowoduje to anulowanie funkcji powtarzania.
6. W trakcie odtwarzania plików MP3 naciśnij krótko przycisk EQ na pilocie, aby wybrać ustawienie korektora graficznego: NORMAL/ROCK/POP/CLASS/JAZZ/BASS.

#### **Uwagi:**

- a. Nie zaleca się używania kabla przedłużającego USB, ponieważ ma to wpływ na jakość sygnału audio i powstawanie zakłóceń (szumu).
- b. Urządzenie automatycznie odczyta pliki tylko po podłączeniu pamięci USB lub włożeniu karty microSD.

#### **Obsługa Bluetooth**

Urządzenie wyposażono w funkcję Bluetooth, dzięki której można przesyłać strumieniowo muzykę z innego urządzenia z interfejsem Bluetooth.

1. Naciśnij przycisk MODE lub M, aby wybrać tryb Bluetooth. Po pomyślnym przejściu w tryb Bluetooth głośnik odtworzy dźwięk powiadomienia. Oznacza to, że radioodtwarzacz jest gotowy do parowania.
2. Włącz lub uaktywnij funkcję Bluetooth w drugim urządzeniu, jak np. smartfon itp. (patrz instrukcja obsługi urządzenia) i znajdź dostępne urządzenia Bluetooth.
3. Sprawdź listę dostępnych urządzeń Bluetooth i wybierz „BP HR10BT”, aby rozpocząć parowanie (podaj kod „0000” po wyświetleniu okienka podręcznego). Po pomyślnym parowaniu z urządzeniem głośnik odtworzy dźwięk powiadomienia.
4. Wybierz muzykę w urządzeniu Bluetooth i rozpocznij jej odtwarzanie. Głośnik odtworzy muzykę.
5. Podczas odtwarzania naciśnij przycisk poprzedniego/następnego utworu/odtwarzania/pauzy, aby wybrać żądaną funkcję.
6. Naciśnij i przytrzymaj przez 3 sekundy przycisk odtwarzania/pauzy, aby anulować parowanie z bieżącym urządzeniem Bluetooth i radioodtwarzaczem. Oznacza to gotowość radioodtwarzacza do sparowania z innymi urządzeniami Bluetooth.

**Obsługa zestawu głośnomówiącego:** W trakcie połączenia przychodzącego w trybie odtwarzania muzyki przez Bluetooth naciśnij przycisk odtwarzania/pauzy na panelu przednim, aby odebrać połączenie; naciśnij ten przycisk ponownie, aby zakończyć rozmowę. Rozmowę należy prowadzić, mówiąc w kierunku osłony głośnika, ponieważ mikrofon jest wbudowany za nią.

#### **Uwaga:**

- a. nie gwarantuje się możliwości pomyślnego sparowania wszystkich urządzeń Bluetooth ze względu na różnorodność marek i konstrukcji.
- b. Zasięg roboczy interfejsu Bluetooth wynosi 10 metrów (bez przeszkód między urządzeniami).
- c. Nie wolno za bardzo zbliżać telefonu do radioodtwarzacza w trybie zestawu głośnomówiącego, gdyż w innym wypadku wystąpią zakłócenia i spadek jakości dźwięku.

#### **Obsługa wejścia AUX IN (połączenia Mp3)**

Podłącz jeden koniec dostarczonego kabla stereofonicznego 3,5 mm–3,5 mm do gniazda AUX IN z na panelu tylnym urządzenia, a drugi koniec do odtwarzacza zewnętrznego (np. odtwarzacza MP3). Tryb pracy radioodtwarzacza zmienia się automatycznie na AUX IN. Wybierz muzykę w odtwarzaczu zewnętrznym i rozpocznij jej odtwarzanie. Głośnik odtworzy muzykę.

Odtwarzacz podłączony do wejścia AUX IN obsługuje się za pomocą jego przycisków. W trybie AUX IN można używać pokrętła regulacji głośności oraz odtwarzania/pauzy.

**Dane techniczne:**

Źródło zasilania: 5 V, 2 A (prąd stały)

Moc wyjściowa: 5 W (RMS)

Częstotliwość FM: 87,5–108,0 MHz

Dane znamionowe interfejsu USB: 100 mA.

Wersja Bluetooth: V4.0

Pobór mocy: <8 W

Pobór mocy w trybie czuwania: <0,7 W

**Fabryczne ustawienia domyślne:**

Czas systemowy: 00:00, 2015-01-01.

Format czasu: 24 godz.

Uśpienie: Wyłączone.

Czas trwania alarmu: 2 minuty

Głośność: 15

(Wszystkie dane mogą ulec zmianie bez powiadomienia)

**Rozwiązywanie problemów**

1. Nie włącza się wyświetlacz.
  - a. Sprawdź, czy podłączono prawidłowo zasilanie prądem stałym.
  - b. Naciśnij i przytrzymaj 3 sekundy przycisk zasilania, aby włączyć urządzenie.
  - c. Jeśli problem nie ustąpi, prosimy o kontakt z lokalnym serwisem.
2. Niezadawalająca jakość dźwięku stacji radiowej.
  - a. W celu uzyskania najlepszego odbioru urządzenia należy postawić w pobliżu okna.
  - b. Dostrój się do innej stacji radiowej.
  - c. Jeśli problem nie ustąpi, prosimy o kontakt z lokalnym serwisem.
3. Niezadawalająca jakość dźwięku podczas odtwarzania z pamięci USB lub karty microSD.
  - a. Upewnij się, że pamięć USB i karta microSD są dobrze podłączone/włożone.
  - b. Jeśli problem nadal występuje, wyłącz i włącz zasilanie radioodtwarzacza.
  - c. Jeśli problem nie ustąpi, prosimy o kontakt z lokalnym serwisem.
4. W trybie Bluetooth dźwięk jest przerywany.
  - a. Przesuń urządzenie z funkcją Bluetooth bliżej radiobudzika.

## **Informacja dla użytkowników o sposobie postępowania ze użytym sprzętem elektrycznym i elektronicznym.**



Symbol przekreślonego kołowego kontenera na odpady umieszczony na produktach informuje, że zużytego sprzętu elektrycznego i elektronicznego nie można wyrzucać wraz z odpadami komunalnymi. Wyrzucając elektrośmieci do kontenera stwarzasz zagrożenie dla środowiska. Segregując i przekazując do przetworzenia, odzysku, recyklingu oraz utylizacji zużyte urządzenia elektryczne i elektroniczne chronisz środowisko przed zanieczyszczeniem i skażeniem, przyczyniasz się do zmniejszenia stopnia wykorzystania zasobów naturalnych oraz obniżenia kosztów produkcji nowych urządzeń.

Szczegółowe informacje o najbliższym punkcie zbiórki można uzyskać bezpośrednio od sprzedawcy lub w firmie Blaupunkt Competence Centre, 2N-Everpol Sp. z o.o., ul. Puławska 403A, 02-801 Warszawa, tel. +48 22 331 9959, email: info@blaupunkt-audio.pl

## DŮLEŽITÉ BEZPEČNOSTNÍ POKYNY



### Důležité bezpečnostní pokyny

#### Upozornění:

Pro snížení rizika úrazu elektrickým proudem nezasahujte do vnitřních částí přístroje a neodstraňujte jeho kryt. V případě poruchy svěřte servis produktu autorizovanému servisu.

#### Vysvětlení grafických symbolů:



Symbol blesku v trojúhelníku označuje neizolovaný materiál v jednotce, který může způsobit úraz elektrickým proudem. Pro bezpečnost všech ve vaší domácnosti, prosím, neodstraňujte kryt výrobku.



Symbol vykřičníku v trojúhelníku upozorňuje na funkce, o kterých byste si měli pozorně přečíst příložené informace, abyste zabránili potížím s provozem a údržbou zařízení.

K dosažení vaší nejvyšší spokojenosti a radosti z používání našeho produktu, přečtěte si prosím nejdříve pečlivě tento návod a seznamte se s jeho funkcemi před tím, než jej začnete používat. To vám zajistí léta bezproblémového výkonu produktu a požitek z hudby.

### Důležitá upozornění

- Tyto bezpečnostní a provozní pokyny uchovejte pro budoucí použití.
- Přístroj nesmí být vystaven vodě a umístěn ve vlhkém prostředí (např. v koupelně).
- Výrobek by neměl být umístěn:
  - o na místech vystavených přímému slunečnímu záření nebo v blízkosti topných těles.
  - o na jiných stereofonních zařízeních, která vyzařují příliš tepla.
  - o na místech, kde by bylo zamezeno ochlazování přístroje pomocí jeho ventilátoru nebo v prašném prostředí.
  - o na místech, která konstantně vibrují.
  - o na vlhkých a mokřích prostorách.
  - o v blízkosti zapálených svíček nebo jiných zdrojů otevřeného ohně.
- Výrobek používejte pouze podle pokynů v této příručce.
- Před prvním zapnutím přístroje se ujistěte, že je napájecí kabel správně připojen.
- Přes USB propojujte přímo, nebo použijte USB-prodlužovací kabel, který není delší než 25 cm.

Z bezpečnostních důvodů neodstraňujte žádné kryty ani se nepokoušejte získat přístup k vnitřku výrobku. Nepokoušejte se odstranit šroubky, nebo otvírat kryt jednotky. Servis produktu a veškeré opravy vždy svěřte autorizovanému servisu a jeho kvalifikovanému personálu.

## BEZPEČNOSTNÍ POKYNY

1. Čtete pokyny – před uvedením přístroje do provozu si přečtete veškeré bezpečnostní a provozní pokyny a návod k obsluze.
2. Uchovejte návod k obsluze – tento návod k obsluze uschovejte pro budoucí použití.
3. Dbejte varování – všechna varování na produktu a v návodu k obsluze je třeba dodržovat.
4. Postupujte podle pokynů – pokyny pro provoz a bezpečnostní pokyny je třeba dodržovat.
5. Instalace – instalujte výrobek v souladu s pokyny výrobce.
6. Napájecí zdroj – tento produkt napájejte pouze z druhu zdroje, který je uveden na napájecím kabelu. Pokud si nejste jistí, jaký typ napájení máte doma, obraťte se na svého prodejce výrobků nebo místní energetickou společnost.
7. Uzemnění nebo polarizace – výrobek nemusí být uzemněn. Ujistěte se, že zástrčka napájecího kabelu je zcela zasunuta do elektrické zásuvky nebo do prodlužovacího kabelu tak, aby bylo zamezeno vzniku přechodového odporu a tím možného rizika vzniku požáru. Používáte-li prodlužovací napájecí kabel neoriginální napájecí kabel od jiného výrobce, než který je dodáván jako součást balení s výrobkem, musí být tento neoriginální kabel vybaven příslušnými kontakty pro propojení s výrobkem a musí mít bezpečnostní schválení pro použití v dané zemi.
8. Ochrana napájecího kabelu – napájecí kabely by měly být vedeny tak, aby nebyly přehnuty, stačeny předměty umístěnými na nebo proti nim, po napájecím kabelu by nemělo být chozeno. Před těmito nežádoucími vlivy chraňte zejména konektory kabelů na zapojení do zásuvky a pro napojení s produktem.
9. Přetížení – nepřetěžujte elektrické zásuvky, prodlužovací kabely nebo vícenásobné zásuvky, následkem takového přetěžování je zvýšené riziko požáru nebo úrazu elektrickým proudem.
10. Větrání – výrobek musí být umístěn na řádně větrané místo. Nepokládejte výrobek na postel, pohovku, nebo jiný podobný povrch. Nezakrývejte výrobek věcmi, jako jsou ubrusy, noviny, apod.
11. Teplota – tento produkt by neměl být umístěn v blízkosti zdrojů tepla, jako jsou radiátory, regulátory tepla, kamna, zesilovače a jiná zařízení, která produkují teplo. Na přístroji nesmí být umístěn žádný zdroj otevřeného ohně, například zapálené svíčky.
12. Voda a vlhkost – pro snížení rizika požáru nebo úrazu elektrickým proudem, nevystavujte výrobek kapající, stříkající nebo tekoucí vodě a nadměrné vlhkosti, např. v sauně či koupelně. Nepoužívejte tento výrobek v blízkosti vody, například u vany, umyvadla, dřezu, kádě, ve vlhkém sklepě, v blízkosti bazénu apod.
13. Vniknutí předmětů a tekutin – nikdy nevkládejte jakékoli cizí předměty do otvorů výrobku, mohly by se dotknout míst pod vysokým napětím nebo by mohly způsobit zkrat, což může vést k požáru nebo úrazu elektrickým proudem. Nikdy nelijte jakoukoli tekutinu jakéhokoli druhu na výrobek ani do výrobku. Neumísťujte jakýkoli předmět obsahující tekutinu na povrch výrobku (např. váza, sklenička s vodou apod.).
14. Čištění – před čištěním odpojte výrobek z elektrické zásuvky. Prach z přístroje odstraňujte suchým hadříkem. Chcete-li používat aerosolové čisticí spreje, nestříkejte přímo na výrobek; nastříkejte čisticí prostředek na hadřík a poté aplikujte. Dávejte pozor, aby nedošlo k poškození hrací jednotky.
15. Příslušenství – nepoužívejte neoriginální příslušenství, které není doporučené výrobcem produktu, neoriginální příslušenství může ohrozit bezpečné používání a funkci výrobku.
16. Umístění – neumísťujte výrobek na nestabilní vozík, stojan, trojnožku, konzolu nebo stolek. Výrobek může spadnout a způsobit vážné zranění dětem nebo dospělým a může dojít k vážnému poškození výrobku. Používejte pouze se stabilním vozíkem,



- stojanem, trojnožkou, držákem nebo stolem, nebo zařízením doporučeným výrobcem nebo prodáváním spolu s výrobkem. Pokud je nutná jakákoliv montáž výrobku, říďte se pokyny výrobce a používejte pouze montážní příslušenství doporučené výrobcem.
17. Manipulace s produktem – při přemísťování produktu na vozíku je nutno dodržovat opatrnost. Prudká změna směru, prudké zastavení, vysoká rychlost nebo nerovný povrch mohou způsobit převrhnutí vozíku a tím případně poškození produktu.
  18. Období nepoužívání – pokud je zařízení delší dobu nepoužíváno musí být napájecí kabel přístroje odpojen z elektrické zásuvky. Odpojte napájecí kabel z elektrické zásuvky během bouřky.
  19. Servis – nepokoušejte se o servis nebo o opravu tohoto přístroje svépomocí, otevření nebo odstranění krytů přístroje vás může vystavit nebezpečí úrazu elektrickým proudem nebo jinému nebezpečí. Veškeré opravy přístroje svěťte kvalifikovanému servisnímu personálu autorizovaného servisu.
  20. Prosím, pokud není v provozu, odpojte napájecí kabel z hlavního zdroje energie nebo z elektrické zásuvky ve zdi. Ve chvíli, kdy je napájecí kabel zapojen ke zdroji elektrické energie, je systém v pohotovostním režimu, to znamená, že přístroj není zcela vypnutý a proudí do něj elektrická energie.
  21. Náhradní díly – pokud jsou potřeba náhradní díly, ujistěte se, že servisní technik použil náhradní díly, které jsou specifikované výrobcem nebo mají stejné vlastnosti jako originální díly. Neoprávněná výměna může vést k požáru, úrazu elektrickým proudem nebo způsobit jiné nebezpečí.
  22. Síťové pojistky – pro trvalou ochranu proti požáru, používejte pouze správný typ pojistek. Správná specifikace pojistek je pro každý rozsah napětí vyznačena na výrobku.
  23. Nezvyšujte příliš hlasitost při poslechu pasáží s velmi nízkou úrovní hlasitosti nebo při náhlé úplné absenci zvuku. Pokud tak učiníte, může ve chvíli opětovného zvýšení úrovně hlasitosti přehrávané pasáže dojít k poškození reproduktorů.
  24. Pokud chcete přístroj úplně odpojit od napájení, musíte odpojit napájecí kabel od přístroje nebo od elektrické zásuvky. Elektrická zásuvka nebo a vstup pro napájecí kabel k výrobku musí zůstat volně přístupné po celou dobu používání přístroje v provozu.
  25. Je vhodné umístit produkt do blízkosti elektrické zásuvky nebo prodlužovačky, které musí být snadno přístupné.
  26. Nejvyšší teplota prostředí vhodná pro tento výrobek je 35 °C.
  27. ESD tip – Pokud dojde k vyresetování přístroje nebo není obnoven jeho provoz z důvodu elektrostatického výboje, je třeba výrobek vypnout, odpojit napájecí kabel a pak jej znovu připojit, případně přesunout přístroj na jiné místo.
  28. Baterie
    1. Baterie nesmí být vystaveny nadměrnému teplu, jako například působení přímého slunečního světla, ohně a podobně.
    2. Používané baterie by měly být vhodné pro ekologickou likvidaci baterií.
    3. UPOZORNĚNÍ pro používání baterií – pro zamezení úniku elektrolytu z baterie, který může způsobit poranění, poškození majetku nebo přístroje:
      - Všechny baterie nainstalujte správně, + a - jak je vyznačeno na přístroji.
      - Nekombinujte baterie (staré a nové nebo uhlíkové a alkalické apod.)
 Pokud nebudete přístroj delší dobu používat, vyjměte baterie ven.

## ERP2poznámka (Energy Related Products)

Tento produkt je v souladu s požadavky stupně 2 nařízení Komise (ES) č.. 1275/2008,

kterým se řídí směrnice 2009/125/ES, posuzující spotřebu elektrické energie výrobku v pohotovostním režimu a ve vypnutém stavu pro zařízení určených pro domácnosti a kanceláře. Po 60 minutách bez jakéhokoliv audio vstupu, se přístroj automaticky přepne do pohotovostního režimu. Řiďte se tímto návodem k obsluze, kde se dočtete ja obnovit provoz zařízení.

### **Důležitá poznámka:**

Tento přístroj je vybaven režimem úspory energie: pokud není dán signál po dobu 60 minut, přístroj se automaticky přepne do pohotovostního režimu, aby se ušetřila energie (ERP 2 standardní). Vezměte prosím na vědomí, že nízká nastavení hlasitosti ve zvukovém zdroji lze uznat jako "žádný zvukový signál"- to může mít vliv na schopnost detekce signálu ze zařízení a způsobit automatický přechod do pohotovostního režimu. Pokud se tak stane, aktivujte prosím audio přenos signálu nebo zvýšte nastavení hlasitosti na zdrojovém audio přehrávači (MP3 přehrávač atd.), aby bylo možné pokračovat v přehrávání. Prosím, obraťte se na místní servisní středisko, pokud problém přetrvává.

### **VAROVÁNÍ**

Tento spotřebič není určen pro používání osobami (včetně dětí) se sníženými fyzickými, smyslovými nebo duševními schopnostmi, nebo osobami bez patřičných zkušeností a znalostí, pokud jim nebyl poskytnut dohled nebo instrukce týkající se použití spotřebiče osobou zodpovědnou za jejich bezpečnost. Děti by měly být pod dozorem, aby se zajistilo, že si se spotřebičem nebudou hrát.

1. Nikdy nenechávejte zapnutý přístroj bez dozoru! Vypněte přístroj vždy, kdy jej nepoužíváte, byť jen na krátkou dobu.
2. Spotřebič není určen pro provoz prostřednictvím externího časovače nebo samostatného dálkového ovládání.
3. Je-li napájecí kabel poškozen, musí být nahrazen výrobcem, jeho servisním zástupcem (autorizovaným servisem) nebo obdobně kvalifikovanými pracovníky, aby se předešlo nebezpečí.
4. Před použitím tohoto systému zkontrolujte napětí, abyste se ujistili, že je totožné s napětím vaší místní elektrické sítě.
5. Přístroj nesmí mít zakryté větracích otvorů předměty, jako jsou noviny, ubrusy, záclony, atd. Ujistěte se, že nad přístrojem je nejméně 20 cm volného prostoru a kolem něj z každé strany nejméně 5 cm volného prostoru.
6. Přístroj nesmí být vystaven tekoucí, kapající nebo stříkající vodě. Předměty naplněné kapalinami, jako jsou např. vázy, nesmí být umístěny na přístroji.
7. Aby nedošlo k požáru nebo úrazu elektrickým proudem, neumísťujte toto zařízení na horkých místech, nevystavujte ho dešti, vlhkosti nebo prachu.
8. Neumísťujte tento přístroj v blízkosti jakýchkoliv zdrojů vody, např. kohouty, vany, pračky nebo bazény. Ujistěte se, že je přístroj umístěn na suchém, stabilním povrchu.
9. Neumísťujte tento přístroj v blízkosti silného magnetického pole.
10. Nepokládejte přístroj na zesilovače nebo přijímače.
11. Neumísťujte tento přístroj na vlhkém prostředí, vlhkost bude mít vliv na životnost elektrických komponent.
12. Pokud systém bezprostředně přemístíte z chladného do teplého prostředí, nebo pokud je umístěn ve velmi vlhké místnosti, může dojít ke kondenzaci vlhkosti uvnitř přehrávače. Pokud k tomu dojde, systém může být poškozen a nebude fungovat správně. Prosím, nechte systém zapnutý přibližně po dobu jedné hodiny, dokud se vlhkost neodpaří.

13. Nečistěte jednotku chemickými rozpouštědly, ta mohou poškodit povrch zařízení. Přístroj otřete čistým, suchým nebo lehce navlhčeným hadříkem.
14. Pokud je přístroj zapnut v blízkosti televizoru, může vlivem působení elektromagnetických vln dojít k ovlivnění funkčnosti obou zařízení. Na televizní obrazovce se mohou objevit čáry, rozpadat obraz, může být ovlivněn zvuk televizoru i přístroje, případně může být jak televizor, tak přístroj zcela nefunkční. Tomu zamezíte umístěním přístroje v dostatečné vzdálenosti od televizoru.
15. Síťová zástrčka je používána jako odpojovací zařízení, odpojovací zařízení musí být vždy připraveno k použití.
16. Chcete-li zabránit možnému poškození sluchu, neposlouchejte delší dobu hudbu a rádio puštěné příliš nahlas.



## POZNÁMKA



Tento výrobek je ve shodě s požadavky Evropského společenství na rádiové rušení.



Naše produkty jsou navrženy a vyrobeny z vysoce kvalitních materiálů a komponent, které jsou recyklovatelné a znovu použitelné.



Je-li tento symbol přeškrtnutého kontejneru uveden na výrobku, znamená to, že výrobek podléhá směrnici EU 2002/96/ES. Informujte se prosím o místní systém sběru tříděného odpadu pro elektrické a elektronické výrobky. Prosím řiďte se místními pravidly a nelikvidujte staré produkty spolu s běžným komunálním odpadem. Správnou likvidací starého výrobku pomůžete předejít možným negativním dopadům na životní prostředí a lidské zdraví.



Výrobek obsahuje baterie podléhající směrnici EU 2006/66/EC, které nelze vyhazovat do běžného domovního odpadu. Informujte se prosím o místních pravidlech o sběru baterií, neboť správnou likvidací pomůžete předcházet negativním důsledkům pro životní prostředí a lidské zdraví.

#### **Informace týkající se životního prostředí**

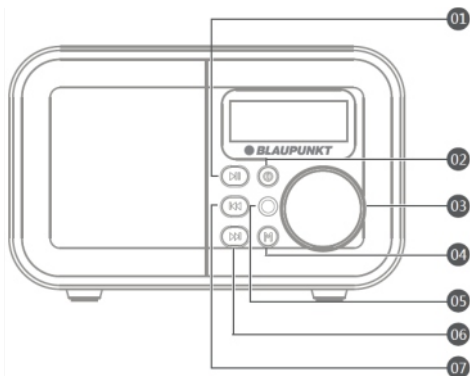
Výrobek je zabalen pouze v nezbytném obalu pro jeho ochranu. Snahou naší firmy je, aby byl obalový materiál snadno rozdělitelný na tři materiály: lepenku (krabice), polystyrén (ochranné balení) a polyethylen (sáčky, ochranné fólie z lehčeného plastu). Výrobek se skládá z materiálů, které lze recyklovat a znovu použít v případě demontáže odbornou firmou. Dodržujte prosím místní předpisy týkající se likvidace obalových materiálů, vybitých baterií a starého zařízení.

Na nahrávání a přehrávání materiálů může být vyžadován souhlas. Viz Zákon o Copyrightu Act 1956 a Zákon na ochranu umělců Sk 1958-1972.

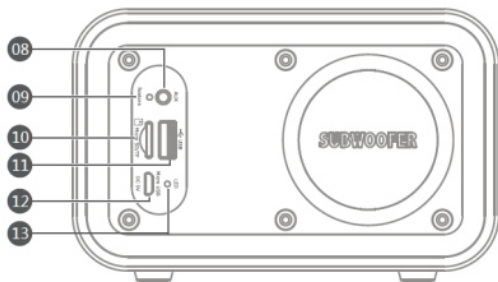


Bluetooth® název i logo jsou registrované obchodní známky společnosti Bluetooth SIG, Inc. a její použití je zatížené licencí. Ostatní obchodní známky a jména jsou vlastněny jejich vlastníky.

## Umístění ovládacích prvků

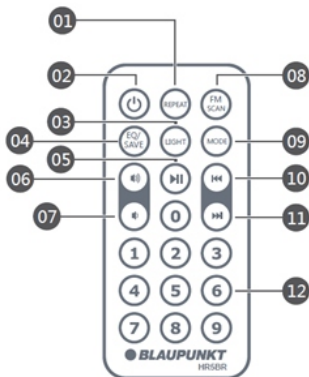


- 01— Tlačítko Přehrávání/pauza pro ovládání přehrávání/pauzy a ztišení
- 02— Tlačítko ON/OFF pro zapnutí a vypnutí zařízení
- 03— Otočný volič pro nastavení hlasitosti.
- 04— Tlačítko Mode pro přepínání režimu přehrávání. K dispozici jsou režimy hodiny / USB / MicroSD / FM / AUX IN
- 05— Okénko senzoru dálkového ovládání
- 06— Tlačítko Další
- 07— Tlačítko Předchozí



- 08— Konektor vnějšího vstupu
- 09— Reset
- 10— Slot pro paměťové karty microSD
- 11— Port USB.
- 12— Vstup stejnosměrného napájení 5 V DC
- 13— Indikátor napájení

## Dálkový ovladač



- 01— Tlačítko Repeat (Opakování) (Opakovat vše, náhodné přehrávání a opakovat jednu skladbu)
- 02— Tlačítko napájení
- 03— Tlačítko Light (Podsvícení), kterým se nastavuje intenzita podsvícení displeje
- 04— Tlačítko výběru ekvalizace (pouze pro přehrávání z USB/paměťových karet microSD)
- 05— Tlačítko přehrávání/pauza
- 06— Zvětšení hlasitosti
- 07— Zmenšení hlasitosti
- 08— Tlačítko automatického ladění rozhlasových stanic FM
- 09— Tlačítko Mode (Režim) pro výběr zdroje přehrávání
- 10— Tlačítko Předchozí
- 11— Tlačítko Další
- 12— Číselná tlačítka (0~9)

### Poznámky:

- a. Před použitím dálkového ovladače je do něj nutné správně vložit baterii CD2025 tak, aby byla dodržena správná polarita.
- b. Dříve, než začnete používat dálkový ovladač, sejměte plastovou izolační fólii.
- c. Vybité baterie likvidujte způsobem, který nezatíží životní prostředí. Podrobné informace získáte u místních úřadů.
- d. Nejlepší provozní vzdálenost dálkového ovladače je do 5 metrů od přístroje bez překážek. Při použití nasměrujte dálkový ovladač k senzoru na přední straně přístroje.

### Instalace přístroje a nastavení napájení

Ke stejnosměrnému adaptéru připojte dodaný napájecí kabel USB. Druhou stranu kabelu USB připojte ke konektoru microUSB stejnosměrného napájení na zadní straně přístroje. Poté stejnosměrný adaptér připojte k domovní síťové zásuvce. Po správném připojení ke zdroji napájení se rozsvítí červený indikátor.

Přístroj se zapíná a vypíná stisknutím a přidržením tlačítka napájení na 2 sekundy. Stisknutím tlačítka napájení na dálkovém ovladači je možné zapnout či vypnout pohotovostní režim přístroje. Po zapnutí napájení se rozsvítí displej. Poté je možné začít přístroj používat.

**Poznámky:**

- a. Dodaný napájecí kabel USB je vybaven univerzálním konektorem USB a konektorem microUSB. Univerzální konektor USB je určen pro připojení stejnosměrného adaptéru a konektor microUSB slouží pro připojení ke konektoru stejnosměrného napájení na přístroji.
- b. K napájení přístroje používejte pouze dodaný napájecí adaptér nebo adaptér se stejnými parametry.
- c. Pokud vypnete napájení pomocí tlačítka na předním panelu, nelze přístroj zapnout pomocí dálkového ovladače, protože je napájení zcela vypnuto. Chcete-li v takovém případě přístroj znovu zapnout, použijte tlačítko napájení na předním panelu.

**Úprava intenzity podsvícení displeje (stmívač)**

Stiskem tlačítka „LIGHT“ (Podsvícení) na dálkovém ovladači je možné upravovat intenzitu podsvícení displeje. K dispozici jsou vysoké, střední a nízké nastavení.

**Nastavení kalendáře a času/spánku**

Přístroj je vybaven funkcí času a režimem spánku. Při použití těchto funkcí postupujte následovně.

1. Zapněte přístroj a stiskněte tlačítko „MODE“ na dálkovém ovladači nebo stiskněte tlačítko „M“ na předním panelu přístroje, dokud se na displeji nezobrazí hodiny. Při prvním použití přístroje se při zapnutí zobrazí přímo rozhraní hodin.
2. Stiskněte na 3 sekundy tlačítko „M“ na předním panelu přístroje, dokud nezačnou na displeji blikat číslice hodin.
3. Otáčením voliče hlasitosti nastavte požadovanou hodnotu hodin a poté krátkým stisknutím tlačítka „M“ hodnotu uložte. Na displeji začnou blikat číslice minut.
4. Otáčením voliče hlasitosti upravte nastavení minut a krátkým stiskem tlačítka „M“ nastavení potvrďte. Přístroj přejde k nastavení doby spánku.
5. Pomocí voliče hlasitosti nastavte dobu spánku. K dispozici jsou hodnoty vypnuto, 15, 30, 60, 90, 120. Nakonec krátkým stisknutím tlačítka „M“ všechna nastavení potvrďte a ukončete režim nastavení.

**Poznámky:**

- a. V režimu přehrávání USB/SD/AUX/FM lze stisknutím a přidržením číslice „0“ na dálkovém ovladači zobrazit na dobu 3 sekund aktuální čas. Poté se na displej zobrazí znovu informace o aktuálním režimu přehrávání.
- b. Pokud jste na přístroji nastavili čas pro přechod do režimu spánku, přístroj se po uplynutí tohoto času automaticky vypne.

**Použití budíku**

Přístroj je vybaven dvěma budíky, které vás probudí, když nastane nastavený čas. Při nastavování budíků postupujte následovně.

1. Stisknutím tlačítka „M“ na předním panelu přístroje na displeji zobrazte hodiny.
2. Stiskněte a přidržte tlačítko Přehrávání/pauza, dokud na displeji nezačne blikat symbol zvonečku. Otáčením voliče hlasitosti je možné přepínat mezi budíkem 1 a budíkem 2.
3. Krátkým stiskem tlačítka „M“ vyberte budík, který chcete nastavit. Poté otáčením voliče hlasitosti upravte nastavení hodin budíku.
4. Krátkým stiskem tlačítka „M“ potvrďte nastavení hodin a otáčením voliče hlasitosti upravte nastavení minut.
5. Krátkým stiskem tlačítka „M“ nastavení minut potvrďte. Na displeji začne blikat symbol zvonečku.
6. Budík se zapíná a vypíná krátkým stisknutím tlačítka přehrávání/pauzy. Výběr zůstane nastaven. Za 5 sekund z displeje zmizí režim nastavení budíku a zobrazí se rozhraní hodin. Pokud jste alarm zapnuli, na displeji se zobrazí odpovídající symbol zvonečku, který signalizuje úspěšnou aktivaci budíku. Nyní je budík funkční.
7. Chcete-li nastavit druhý budík, zopakujte výše uvedené kroky.

**Poznámky:**

- a. Jako zdroj zvuku budíku je možné zvolit budík a rádio FM. Pokud chcete jako zdroj zvuku budíku použít rádio FM, přidržte na 3 sekundy tlačítko „1“ na dálkovém ovladači, dokud se v režimu přehrávání rádia FM nezobrazí na displeji text „ON“. Poté se bude jako zdroj zvuku budíku používat rádio FM. Chcete-li zrušit nastavení rádia FM jako zdroje zvuku budíku, přidržte stisknuté tlačítko „1“, dokud se ne displeji nezobrazí „OFF“. Poté se zdrojem zvuku budíku stane bzučák.
- b. Když nastane čas buzení, lze zvuk budíku ztlumit stisknutím libovolného tlačítka na předním panelu nebo na dálkovém ovladači.
- c. Všechna nastavení budíků je možné vypnout v režimu zobrazení hodin stisknutím tlačítka Další na předním panelu.
- d. Budík zní po dobu 2 minut. Nebude-li provedena žádná činnost, znovu zazní za 5 minut. Tento postup se zopakuje dvakrát a poté se automaticky vypne pro případ, kdy nikdo není doma.
- e. Při použití budíku je nutné správně nastavit hodiny.
- f. Ověřte, že je přístroj připojen ke stejnosměrnému napájecímu zdroji. V opačném případě budík nezazní. Pokud jste dříve odpojili stejnosměrné napájení, po jeho obnovení nezapomeňte znovu zkontrolovat nastavení času a budíku.
- g. Budík je funkční i v režimu vypnutí napájení (displej nesvíti), ale přístroj musí zůstat připojen ke zdroji stejnosměrného napájení.

**Poslech rozhlasového vysílání**

Vestavněná anténa přístroje umožňuje poslech rozhlasového vysílání FM. Před poslechem rozhlasového vysílání přeneste přístroj do blízkosti okna, abyste získali silnější rozhlasový signál.

Režim poslechu rozhlasového vysílání je po zapnutí přístroje možné aktivovat stisknutím tlačítka „M“ na předním panelu nebo stisknutím tlačítka „MODE“ na dálkovém ovladači.

1. **Automatické ladění a uložení stanic do paměti:** Krátce stiskněte tlačítko „FM SCAN“ nebo stiskněte a na 3 sekundy přidržte tlačítko „PLAY/PAUSE“ na dálkovém ovladači či předním panelu přístroje. Přístroj zahájí ladění a automaticky uloží nalezené rozhlasové stanice. Do paměti přístroje je možné uložit nejvýše 50 rozhlasových stanic.
2. **Automatické ladění:** Stiskněte a přidržte tlačítko „Předchozí“ a „Další“ na předním panelu přístroje nebo na dálkovém ovladači. Zahájí se automatické vyhledávání další dostupné stanice ve vztupném nebo sestupném směru. Přístroj se automaticky zastaví, jakmile je nalezena dostupná stanice, a současně začne její přehrávání. Stisknutím tlačítka „SAVE“ na dálkovém ovladači je možné aktuálně naladěnou stanici uložit.
3. **Naladění konkrétní stanice:** Chcete-li naladit stanici na konkrétní frekvenci, můžete frekvenci zadat přímo pomocí číselných tlačítek na dálkovém ovladači. Pokud chcete například poslouchat stanici na frekvenci „104,3 MHz“, stačí pomocí číselných tlačítek na dálkovém ovladači zadat 1-0-4-3. Přístroj poté přejde přímo na požadovanou frekvenci a začne přehrávání.
4. **Výběr předvolené stanice:** Krátkým stiskem tlačítka „Předchozí“ nebo „Další“ na dálkovém ovladači nebo předním panelu vyberte předvolenou stanici. Případně lze číslo předvolené stanice vybrat stiskem číselného tlačítka na dálkovém ovladači. Pokud chcete například poslouchat předvolenou stanici číslo 12, stačí pomocí dálkového ovladače zadat 1-2. Poté začne přehrávání této stanice.

**Přehrávání ze zařízení USB a paměťové karty SD**

Před zahájením přehrávání souborů MP3 zkontrolujte, zda je k portu USB připojeno paměťové zařízení USB, nebo zda je do slotu pro paměťové karty na zadním panelu přístroje vložena karta microSD. Na paměťové zařízení musí být rovněž zkopírována hudba ve formátu MP3. V přístroji lze používat paměťová zařízení s kapacitou až 32 GB.



1. Stisknutím tlačítka „MODE“ nebo tlačítka „M“ přejděte do režimu přehrávání z USB nebo karty microSD. Přístroj zahájí přehrávání hudby poté, co automaticky zjistí celkový počet stop na paměťovém zařízení.
2. Krátkým stisknutím tlačítka „Předchozí“ nebo „Další“ je možné vybrat předchozí nebo následující stopu. Stisknutím a přidržím tlačítek „Předchozí“ nebo „Další“ je možné aktuálně přehrávanou stopou procházet rychle vpřed nebo vzad.
3. Chcete-li rychle přehrávat vybranou stopu, je možné výběr provést číselným tlačítkem na dálkovém ovladači.
4. Krátkým stiskem tlačítka „REPEAT“ na dálkovém ovladači je možné nastavit opakované přehrávání. K dispozici jsou nastavení vše, opakovat jednu skladbu a náhodné přehrávání. Stejně nastavení lze provést stisknutím a přidržím tlačítka „M“ na předním panelu na 3 sekundy.
5. Pokud chcete znovu přehrát konkrétní část stopy, stiskněte a na 3 sekundy přidržte tlačítko „REPEAT“, dokud se na displeji nezobrazí P--A pro výběr počátečního bodu; poté stiskněte a na 3 sekundy přidržte tlačítko „REPEAT“, dokud se na displeji nezobrazí P--b pro výběr koncového bodu. Přístroj bude poté opakovaně přehrávat vybranou část stopy. Chcete-li zrušit zadaný režim opakování přehrávání, stiskněte a přidržte tlačítko „REPEAT“, dokud se na displeji nezobrazí P---E.
6. V režimu přehrávání souborů MP3 lze krátkým stiskem tlačítka EQ na dálkovém ovladači změnit nastavení ekvalizéru. K dispozici jsou nastavení NORMAL / ROCK / POP / CLASS / JAZZ / BASS (Normální / rock / pop / klasika / jazz / bass).

#### Poznámky:

- a. Použití prodlužovacího kabelu USB pro přehrávání se nedoporučuje, protože může negativně ovlivňovat přenos zvukového signálu a může způsobit šum v reprodukováném zvuku.
- b. Přístroj je schopen detekovat a přehrávat hudbu pouze v případě, že je připojeno paměťové zařízení USB nebo je vložena karta microSD.

#### Použití funkce Bluetooth

Přístroj je vybaven funkcí Bluetooth, která vám umožňuje streamovat hudbu z jiného zařízení vybaveného technologií Bluetooth.

1. Stisknutím tlačítka „MODE“ nebo „M“ přejděte do režimu Bluetooth. Po úspěšné aktivaci režimu Bluetooth si povšimnete zvuku vycházejícího z reproduktoru, což znamená, že je přístroj připraven ke spárování.
2. Zapněte nebo aktivujte funkci Bluetooth na připojeném zařízení Bluetooth (např. smartphone apod., podrobnosti viz návod k obsluze zařízení) a zahajte vyhledávání dostupného zařízení Bluetooth.
3. Zkontrolujte na svém zařízení seznam dostupných zařízení Bluetooth a vyberte „BP HR10BT“. Zahájí se párování (pokud se zobrazí výzva k zadání hesla, vložte heslo „0000“). Po úspěšném párování zazní z reproduktoru rádia zvukový signál.
4. Vyberte na svém zařízení Bluetooth hudbu, kterou chcete poslouchat, spusťte její přehrávání a zvuk bude reprodukován z rádia.
5. K ovládní přehrávání můžete použít tlačítka Předchozí, Další, Přehrávání a Pauza.
6. Stisknutím tlačítka Přehrávání/pauza na 3 sekundy je možné spárování zařízení Bluetooth a přístrojem zrušit. Přístroj bude poté připraven k párování s jiným zařízením Bluetooth.

**Telefonování hands-free:** Pokud je v režimu přehrávání ze zařízení Bluetooth přijat telefonní hovor, lze jej zvednout stisknutím tlačítka Přehrávání/pauza na předním panelu a stisknutím stejného tlačítka je možné hovor ukončit. Při telefonním hovoru mluvíte v blízkosti textilní mřížky rádia, protože je za ní umístěn vestavěný mikrofon.

**Poznámka:**

- a. Upozorňujeme, že vzhledem k odlišné značce a konstrukci není úspěšné spárování garantováno u všech zařízení Bluetooth.
- b. Nejlepší provozní vzdálenost pro použití funkce Bluetooth je do 10 metrů bez jakékoli překážky.
- c. Při telefonování hands-free neumísťte telefon příliš blízko přístroji, protože by mohlo dojít k rušení a negativnímu ovlivnění kvality zvuku.

**Použití režimu AUX IN/MP3 Link**

Pro připojení vnějšího přehrávače (např. přehrávače MP3 apod.) k přístroji použijte dodaný 3,5mm stereofonní audiokabel, který se připojuje ke konektoru AUX IN na zadní straně přístroje. Přístroj se přepne přímo do režimu přehrávání z vnějšího zařízení (AUX IN). Vyberte na svém přehrávači hudbu, kterou chcete poslouchat, spusťte její přehrávání a zvuk bude reprodukován z rádia.

Upozorňujeme, že v tomto případě se hlavní funkce přehrávání ovládají pomocí připojeného přehrávače. V režimu přehrávání z vnějšího zařízení (AUX IN) je možné na rádiu pouze nastavit hlasitost a přehrávání či pauzu.

**Technické údaje:**

Elektrické napájení: 5 V DC / 2 A

Výkon: 5 W RMS

Frekvence FM: 87,5~108,0 MHz

Jmenovité parametry portu USB: 100 mA

Verze Bluetooth: v4.0

Příkon: <8 W

Příkon v pohotovostním režimu: <0,7 W

**Výchozí tovární nastavení:**

Systémový čas: 00:00, 2015-01-01

Formát času: 24hodinový

Režim spánku: VYPNUTO

Doba trvání budíku: 2 minuty

Hlasitost: 15

(Technické údaje se mohou změnit bez předchozího upozornění.)

**Řešení potíží**

1. Displej nefunguje.
  - a. Zkontrolujte správné připojení zdroje stejnosměrného napájení.
  - b. Stisknutím a přidržením tohoto tlačítka na 3 sekundy zapnete přístroj.
  - c. Jestliže problém přetrvává, obraťte se na servisní středisko.
2. Kvalita zvuku rozhlasového vysílání je nízká.
  - a. Lepšího příjmu dosáhnete přemístěním přístroje do blízkosti okna.
  - b. Pokuste se k poslechu naladit jinou stanicí.
  - c. Jestliže problém přetrvává, obraťte se na servisní středisko.
3. Zvuk přehrávaný z paměťového zařízení nebo karty microSD je nekvalitní.
  - a. Zkontrolujte, zda je správně připojeno paměťové zařízení USB nebo karta microSD.
  - b. Pokuste se přístroj vypnout a poté opět zapnout.
  - c. Jestliže problém přetrvává, obraťte se na servisní středisko.
4. Zvuk reprodukováný pomocí funkce Bluetooth je přerušovaný.
  - a. Zkuste přesunout zařízení Bluetooth blíže k přístroji.

## DÔLEŽITÉ BEZPEČNOSTNÉ POKYNY



**POZOR**

NEBEZPEČÍ ÚRAZU  
ELEKTRICKÝM PROUDEM,  
NEOTVÍRAŤ



### Dôležité bezpečnostné pokyny

#### Upozornenie:

Kvôli riziku úrazu elektrickým prúdom nezasahujte do vnútorných častí prístroja a neodstraňujte jeho kryt. V prípade poruchy zverte servis produktu autorizovanému servisu.

#### Vysvetlenie grafických symbolov:



Symbol blesku v trojuholníku označuje neizolovaný materiál v jednotke, ktorý môže spôsobiť úraz elektrickým prúdom. Kvôli bezpečnosti všetkých v domácnosti, prosím neodstraňujte kryt výrobku.



Symbol výkričníku v trojuholníku upozorňuje na funkcie, o ktorých by ste si mali pozorne prečítať priložené informácie, aby ste zabránili problémom s prevádzkou a údržbou zariadenia.

K dosiahnutiu vašej najvyššej spokojnosti a radosti z používania nášho produktu, prečítajte si prosím **najsôr pozorne tento návod a zoznámte sa s jeho funkciami pred tým, ako ho začnete používať. To vám zaistí roky bezproblémového výkonu produktu a pôžitok z hudby.**

### Dôležité upozornenia

- Tieto bezpečnostné a prevádzkové pokyny uschovajte pre budúce použitia.
- Prístroj nesmie byť vystavený vode a umiestnený vo vlhkom prostredí (napr. v kúpeľni) Výrobok by nemal byť umiestnený:
  - o na miestach vystavených priamemu slnečnému žiareniu alebo v blízkosti radiátoru.
  - o na iných stereofónnych zariadeniach, ktoré vyžarujú príliš tepla.
  - o na miestach, kde by mohlo byť zamedzené chladenie prístroja pomocou jeho ventilátoru alebo v prašnom prostredí
  - o na miestach, ktoré konštantne vibrujú.
  - o vo vlhkých a mokrých priestoroch.
  - o v blízkosti zapálených sviečok alebo iných zdrojov otvoreného ohňa.
- Výrobok používajte iba podľa pokynov v tejto príručke.
- Pred prvým zapnutím prístroja sa ubezpečte, že je napájací kábel správne pripojený.
- Cez USB prepojujte priamo, alebo použite USB - predlžovací kábel, ktorý nie je dlhší ako 25cm.

Z bezpečnostných dôvodov neodstraňujte žiadne kryty, ani sa nepokúšajte získať prístup k vnútru výrobku. Nepokúšajte sa odstrániť skrutky alebo otvárať kryt jednotky. Servis produktu a všetky opravy vždy zverte autorizovanému servisu a jeho kvalifikovanému personálu.

## BEZPEČNOSTNÉ POKYNY

1. Prečítajte si pozorne – pred uvedením prístroja do prevádzky si prečítajte všetky bezpečnostné a prevádzkové pokyny a návod k použitiu.
2. Schovajte si návod k obsluhu - tento návod k obsluhu uschovajte pre budúce použitie.
3. Dbajte na varovania – všetky varovania na produkte a v návode k použitiu je treba dodržiavať
4. Postupujte podľa pokynov – pokyny pre prevádzku a bezpečnostné pokyny je treba dodržiavať.
5. Inštalácia – inštalujte výrobok v súlade s pokynmi výrobcu.
6. Napájacie zdroje – tento produkt napájajte iba zo zdroja zdroje, ktorý je uvedený na napájacom kabeľ. Ak si nie ste istí, aký typ napájania máte doma, obráťte sa na svojho predajcu výrobkov alebo na miestnu energetickú spoločnosť.
7. Uzemnenie a polarizácia – výrobok nemusí byť uzemnený. Uistite sa, že zástrčka napájacieho káblu je presne zasunutá do elektrickej zásuvky alebo do predĺžovacieho káblu tak, aby bolo zamedzené vzniku prechodného odporu a tým pádom možného rizika vzniku požiaru. Ak používate predĺžovací napájací kábel alebo neoriginálny napájací kábel od iného výrobcu, než ktorý je dodávaný ako súčasť balenia s výrobkom, musí byť tento neoriginálny kábel vybavený príslušnými kontaktmi pre prepojenie s výrobkom a musí mať bezpečnostné schválenie pre použitie v danej zemi.
8. Ochrana napájacieho káblu – napájacie káble by mali byť vedené tak, aby neboli pretrhnuté, otočené okolo predmetov okolo nich alebo proti nim, po napájacom káble nie je doporučené chodiť. Pred týmito nežiaducimi vplyvmi chráňte hlavne konektory káblov k zapojeniu do zásuvky a pre napojenie s produktom.
9. Preťaženie – nepreťažujte elektrické zásuvky, predĺžovacie káble či viacnásobné zásuvky, následkom takéhoto preťažovania je zvýšené riziko požiaru či úrazu elektrickým prúdom.
10. Vetranie – výrobok musí byť umiestnený na vetrané miesto. Nepokladajte výrobok na posteľ, pohovku alebo iný podobný povrch. Nezakrývajte výrobok vecami, ako obrusmi, novinami apod.
11. Teplota – tento produkt by nemal byť umiestnený v blízkosti zdrojov tepla, ako sú radiátory, regulátory tepla, pece, zosilňovače a iné zariadenia, ktoré produkujú teplo. Na prístroji nesmie byť umiestnený žiadny zdroj otvoreného ohňa, napr. zapálenej sviečky.
12. Voda a vlhkosť – pre zníženie rizika požiaru alebo úrazu elektrickým prúdom, nevystavujte výrobok kvapkajúcej, striekajúcej alebo tečúcej vode a nadmernej vlhkosti, napr. v saune či kúpeľni. Nepoužívajte tento výrobok v blízkosti vody napríklad pri vani, umývadle, dreze, vo vlhkej pivnici, v blízkosti bazénu apod.
13. **Vniknutie predmetov a tekutín** – nikdy nevkładajte akékoľvek cudzie predmety do otvorov výrobku, mohli by sa dotknúť miest pod vysokým napätím alebo by mohli spôsobiť skrat, čo môže viesť k požiaru alebo úrazu elektrickým prúdom. Nikdy nelejte akúkoľvek tekutinu akéhokoľvek druhu na výrobok alebo do výrobku. Neumiestňujte akýkoľvek predmet obsahujúci tekutinu na povrch výrobku (napr. váza, pohár s vodou apod.).
14. Čistenie – pred čistením odpojte výrobok z elektrickej zásuvky. Prach z prístroja odstraňujte suchou handričkou. Ak chcete používať aerosolové čistiace spreje, nestriekajte priamo na výrobok; naneste čistiaci prostriedok na handričku a následne aplikujte. Dávajte pozor, aby nedošlo k poškodeniu hracej jednotky.

15. Príslušenstvo – nepoužívajte neoriginálne príslušenstvo, ktoré nie je doporučené výrobcom produktu, neoriginálne príslušenstvo môže ohroziť bezpečné používanie a funkciu výrobku.
16. Umiestnenie – neumiestňujte výrobok na nestabilný vozík, stojan, trojnožku konzolu alebo stolič. Výrobok môže spadnúť s spôsobiť vážne zranenia deťom či dospelým a môže doisti k vážnemu poškodeniu výrobku. Používajte iba so stabilným vozíkom, stojanom, trojnožkou, držiakom či na stole, alebo zariadením doporučeným výrobcom alebo predávaným spolu s výrobkom. Ak je nutná akákoľvek montáž výrobku, riadte sa pokynmi výrobcu a používajte iba montážne príslušenstvo doporučené výrobcom.
17. Manipulácia s výrobkom – pri premiestňovaní produktu na vozíku je nutné dodržiavať opatrnosť. Prudká zmena smeru, prudké zastavenie, vysoká rýchlosť alebo nerovný povrch **môžu spôsobiť prevrtenie vozíku a tým aj prípadné poškodenie produktu.**
18. Obdobné nepoužívanie – ak nie je zariadenie dlhší čas používané, musí byť napájací kábel prístroja odpojený z elektrickej zásuvky. Odpojte napájací kábel z elektrickej zásuvky počas búrky.
19. Servis – nepokúšajte sa o servis alebo opravu tohto prístroja svojvoľne, otvorenie alebo odstránenie krytov prístroja vás môže vystaviť nebezpečenstvu úrazu elektrickým prúdom alebo inému nebezpečenstvu. Všetky opravy prístroja zverte kvalifikovanému servisnému personálu autorizovaného servisu.
20. Prosím, ak nie je v prevádzke, odpojte napájací kábel z hlavného zdroja energie, alebo z elektrickej zásuvky. Vo chvíli, keď je napájací kábel zapojený do zdroja elektrickej energie, je systém v pohotovostnom režime, to znamená, že prístroj nie je úplne vypnutý a prúdi do neho elektrická energia.
21. Náhradné diely – ak sú potreba náhradné diely, uistite sa, že servisný technik použil náhradné diely, ktoré sú špecifikované výrobcom alebo majú rovnaké vlastnosti ako originálne diely. Neoprávnená výmena môže viesť k požiaru, úrazu elektrickým prúdom alebo spôsobiť iné nebezpečenstvo.
22. Sieťové poistky – pre trvalú ochranu proti požiaru, používajte iba správny typ poistiek. Správna špecifikácia poistiek je pre každý rozsah napätia označená na výrobku.
23. Nezvyšujte príliš hlasitosť pri počúvaní pasáží s veľmi nízkou úrovňou hlasitosti alebo pri náhlej úplnej absencii zvuku. Ak tak urobíte, môže vo chvíli opätovného zvýšenia úrovne hlasitosti prehrávanej pasáže doisti k poškodeniu reproduktorov.
24. Ak chcete prístroj úplne odpojiť od napájania, musíte odpojiť napájací kábel od prístroja alebo z elektrickej zásuvky. Elektrická zásuvka alebo vstup napájací kábel k výrobku musia zostať voľne prístupné po celý čas používania prístroja v prevádzke.
25. Je vhodné umiestniť produkt do blízkosti elektrickej zásuvky alebo predlžovačky, ktoré by mali byť ľahko prístupné.
26. Najvyššia teplota prostredia vhodná pre tento výrobok je 35 °C.
27. ESD tip – Ak dôjde k vyresetovaniu prístroja alebo nie je obnovená jeho prevádzka z dôvodu elektrostatického výboja, je potreba výrobok vypnúť, odpojiť napájací kábel a potom ho znovu pripojiť, prípadne presunúť na iné miesto.
28. Batérie
  1. Batérie nesmú byť vystavené nadmernému teplu, ako napríklad pôsobeniu priameho slnečného svetla, ohňa a podobne.
  2. Používané batérie by mali byť vhodné pre ekologickú likvidáciu batérií.
  3. UPOZORNENIE pre používanie batérií – proti zamedzeniu úniku elektrolytu z batérie, ktorý môže spôsobiť poranenie, poškodenie majetku alebo prístroja:

- Všetky batérie nainštalujte správne, + a – ako je vyznačené na prístroji.
- Nekombinujte batérie (staré a nové alebo uhľikové a alkalické apod.)
- Pokiaľ nebudete prístroj dlhší čas používať, vytiahnite ich z prístroja.

### **ERP2 poznámka (Energy Related Products)**

Tento produkt je v súlade s požiadavkami stupňa 2 nariadenia Komisie (ES) č. 1275/2008, ktorým sa riadi smernica 2009/125/ES, posudzujúca spotrebu elektrickej energie výrobku v pohotovostnom režime a vo vypnutom stave pre zariadenia určené pre domácnosti a kancelárie. Po 60 minútach bez akéhokoľvek audio vstupu, sa prístroj automaticky prepne do pohotovostného režimu. Riadte sa týmto návodom na používanie, kde sa dočítate akým spôsobom obnovíte prevádzku zariadenia.

### **Dôležitá poznámka:**

Tento prístroj je vybavený režimom úspory energie: pokiaľ nie je daný signál behom 60 minút prístroj sa automaticky prepne do pohotovostného režimu, aby sa ušetrila energia (ERP 2 štandardná). Vezmite prosím na vedomie, že nízke nastavenia hlasitosti vo zvukovom zdroj je možné chápať ako „žiadny zvukový signál“ - to môže mať vplyv na schopnosť detekcie signálu zo zariadenia a spôsobiť automatický prechod do pohotovostného režimu. Ak sa tak stane aktivujte prosím prenos signálu alebo zvýšte nastavenie hlasitosti na zdrojovom audio prijímači (MP3 prehrávač atd.), aby bolo možné pokračovať v prehrávaní. Prosím, obráťte sa na miestne servisné stredisko, ak problém pretrváva.

### **VAROVANIE**

Tento spotrebič nie je určený pre používanie osobami (vrátane detí) so zníženými fyzickými, zmyslovými alebo duševnými schopnosťami, alebo osobami bez patričných skúseností a vedomostí, pokiaľ im nebol poskytnutý dohľad alebo inštrukcie týkajúce sa použitia spotrebiča osobou zodpovednou za ich bezpečnosť. Deti by mali byť pod dozorom, aby bolo zaistené, že si so spotrebičom nebudú hrať.

1. Nikdy nenechávajte prístroj bez dozoru! Vypnite prístroj vždy, keď ho nepoužívate aj keď iba na krátku chvíľu.
2. Spotrebič nie je určený na prevádzku prostredníctvom externého časovača alebo samostatného diaľkového ovládania.
3. Ak je napájací kábel poškodený, musí byť nahradený výrobcom, jeho servisným zástupcom (autorizovaným servisom) alebo podobne kvalifikovanými pracovníkmi, aby sa predišlo nebezpečenstvu.
4. Pred použitím tohto systému skontrolujte napätie, aby ste sa uistili že je totožné s napätím vašej miestnej elektrickej siete.
5. Prístroj nesmie mať zakryté vetracie otvory predmetmi, ako sú noviny, obrusy, záclony atd. Uistite sa, že nad prístrojom je najmenej 20cm voľného priestoru a okolo neho z každej strany najmenej 5cm voľného priestoru.
6. Prístroj nesmie byť vystavený tečúcej, kvapkajúcej či striekajúcej vode. Predmety naplnené kvapalinou, ako sú napr. vázy, nesmú byť umiestnené na prístroji.
7. Aby nedošlo k požiaru alebo úrazu elektrickým prúdom, neumiestňujte toto zariadenie na horúcich miestach, nevystavujte ho dažďu, vlhkosti alebo prachu.
8. Neumiestňujte tento prístroj v blízkosti akýchkoľvek zdrojov vody, napr. kohútiky, vane, pračky alebo bazény. Uistite sa, že je prístroj umiestnený na suchom, stabilnom povrchu.
9. Neumiestňujte tento prístroj v blízkosti silného magnetického pola.
10. Nepokladajte prístroj na zosilňovače alebo prijímače.

11. Neumiestňujte tento prístroj do vlhkého prostredia, vlhkosť bude mať vplyv na životnosť elektrických komponentov.
12. Ak systém bezprostredne premiestnite z chladného do teplého prostredia, alebo ak je umiestnený vo veľmi vlhkom prostredí, môže dojsť ku kondenzácii vlhkosti vo vnútri prehrávača. Ak k tomu dôjde, systém môže byť poškodený a nebude fungovať správne. Prosím, nechajte systém zapnutý približne na hodinu, dokiaľ sa vlhkosť nevyparí.
13. Nečistite jednotku chemickými rozpúšťadlami, tie môžu poškodiť povrch zariadenia. Prístroj oprite čistou, suchou alebo mierne navlhčenou handričkou.
14. Ak je prístroj zapnutý v blízkosti vášho televízora, môže vplyvom pôsobenia elektromagnetických vln dojsť k ovplyvneniu funkčnosti oboch zariadení. Na televíznej obrazovke sa môžu objaviť čiary, rozpadáť sa obraz, môže byť ovplyvnený zvuk televízora aj prístroja, prípadne môže byť ak televízor, tak prístroj úplne nefunkčný. Tomu zamedzíte umiestnením prístroja v dostatočnej vzdialenosti od televízora.
15. Sieťová zástrčka je používaná ako odpojovacie zariadenie, ktoré musí byť vždy pripravené k použitiu.
16. Ak chcete zabrániť možnému poškodeniu sluchu, nepočúvajte dlhší čas hudbu a rádio príliš nahlas.



## POZNÁMKA



Tento výrobok je v zhode s požiadavkami Európskeho spoločenstva na rádiové rušenie.



Naše produkty sú navrhnuté a vyrobené z vysoko kvalitných materiálov a komponentov, ktoré sú recyklovateľné a opäť použiteľné.



Ak je tento symbol preškrtnutého kontajneru uvedený na výrobku, znamená to, že výrobok podlieha smernici EU 2002/96/ES. Informujte sa prosím na miestny systém zberu triedeného odpadu pre elektrické a elektronické výrobky. Prosím riadte sa miestnymi pravidlami a nelikvidujte staré produkty spolu s bežným komunálnym odpadom. Správnu likvidáciou starého výrobku pomôžete predísť možným negatívnym dopadom na životné prostredie a ľudské zdravie.



Výrobok obsahuje batérie podliehajúce smernici EU 2006/66/EC, ktoré nie je možné vyhazovať do bežného domáceho odpadu. Informujte sa prosím o miestnych pravidlách zberu batérií, pretože správnu likvidáciou pomôžete predchádzať negatívnym dôsledkom pre životné prostredie a ľudské zdravie.

### Informácie týkajúce sa životného prostredia

Výrobok je zabalený len v nutnom obale pre jeho ochranu. Snahou našej firmy je, aby bol obalový materiál jednoducho rozdeliteľný na tri materiály: lepenku (škatuľa), polystyrén (ochranné balenie) a polyetylen (sáčky, ochranné fólie z odľahčeného plastu). Výrobok sa skladá z materiálov, ktoré je možné recyklovať a znovu použiť v prípade demontáže odbornou firmou. Dodržujte prosím miestne predpisy týkajúce sa likvidácie obalových materiálov, vybitých batérií a starého zariadenia.

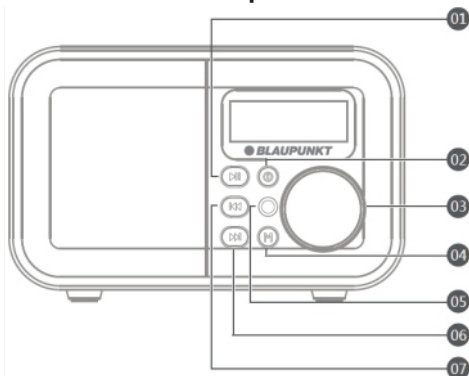
Na nahrávanie a prehrávanie materiálov môže byť vyžadovaný súhlas. Viz Zákon o Copyright Act 1956 a Zákon na ochranu umelcov Sk 1958-1972



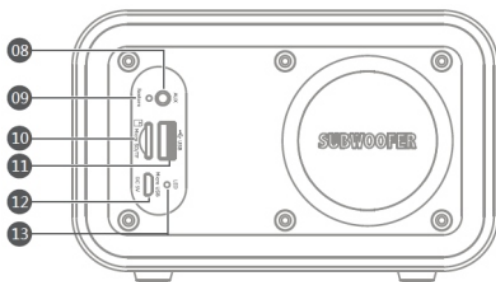
Bluetooth® názov i logo sú registrované obchodné známky spoločnosti Bluetooth SIG, Inc. a jej použitie je zatažené licenciou. Ostatné obchodné známky a mená sú vlastnené ich vlastníkmi.



## Umiestnenie ovládacích prvkov

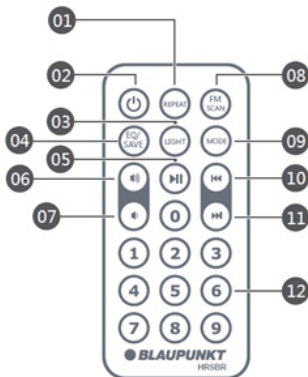


- 01— Tlačidlo spustenia a pozastavenia prehrávania a stlmenia.
- 02— Tlačidlo na zapnutie a vypnutie jednotky.
- 03— Koliesko nastavenia hlasitosti.
- 04— Tlačidlo na prepínanie medzi režimami zobrazenia času a prehrávania zo zariadenia USB, karty microSD, rádia a vstupu AUX IN.
- 05— Okienko pre snímač diaľkového ovládača.
- 06— Tlačidlo prechodu na nasledujúcu položku.
- 07— Tlačidlo prechodu na predchádzajúcu položku.



- 08— Konektor AUX IN.
- 09— Obnovenie pôvodných nastavení
- 10— Zásuvka pre kartu microSD.
- 11— Port USB.
- 12— Konektor napájania jednosmerným napätím 5 V.
- 13— Indikátor LED napájania.

## Dialkový ovládač



- 01— Tlačidlo REPEAT (opakovanie všetkých položiek, prehrávanie v náhodnom poradí a opakovanie jednej položky).
- 02— Vypínač napájania.
- 03— Tlačidlo LIGHT na nastavenie jasu podsvietenia displeja.
- 04— Tlačidlo EQ (len v režime prehrávania zo zariadenia USB alebo karty microSD)
- 05— Tlačidlo spustenia a pozastavenia prehrávania.
- 06— Zvýšenie hlasitosti.
- 07— Zníženie hlasitosti.
- 08— Tlačidlo na automatické vyhľadávanie staníc FM.
- 09— Tlačidlo MODE na výber zdroja prehrávania.
- 10— Tlačidlo prechodu na predchádzajúcu položku.
- 11— Tlačidlo prechodu na nasledujúcu položku.
- 12— Číslkové klávesy (0 až 9).

### Poznámky:

- a. Pred použitím diaľkového ovládača skontrolujte, či v ňom je vložená batéria typu CR2025 tak, ako je to vyznačené v schéme správnej orientácie batérie z hladiska jej polarít.
- b. Pred použitím diaľkového ovládača z neho odstráňte izolačný obal.
- c. Vybitú batériu zlikvidujte spôsobom šetrným voči životnému prostrediu. Podrobnosti nájdete v požiadavkách miestnych úradov zodpovedajúcich za ochranu životného prostredia.
- d. Optimálna vzdialenosť pre použitie diaľkového ovládača je do 5 metrov bez akýchkoľvek prekážok v dráhe lúča. Pri používaní mierte na snímač diaľkového ovládača na prednom paneli jednotky.

### Inštalácia jednotky a nastavenie napájania

Pripojte dodávaný napájací kábel USB k adaptéru jednosmerného napätia a druhý koniec kábla USB pripojte k napájacímu konektoru micro USB pre jednosmerné napätie na zadnom paneli jednotky. Potom pripojte adaptér jednosmerného napätia k zdroju napájania v domácnosti. Po úspešnom pripojení k zdroju napájania sa indikátor LED napájania rozsvieti na červeno.

Stlačením vypínača napájania na prednom paneli na 2 sekundy môžete zapnúť alebo vypnúť napájanie jednotky. Stlačením vypínača napájania na diaľkovom ovládači môžete jednotku prepnúť do a z pohotovostného režimu. Po zapnutí napájania sa displej rozsvieti a jednotku môžete začať používať na ďalšie účely.

**Poznámky:**

- a. Dodávaný napájací kábel USB obsahuje univerzálny konektor USB a konektor micro USB. Univerzálny konektor USB slúži na pripojenie adaptéra jednosmerného napätia a konektor micro USB je určený na pripojenie napájacieho konektora USB pre jednosmerné napätie.
- b. Na účely napájania je povolené používať iba dodávaný adaptér napájania alebo adaptér s rovnakým menovitým výkonom.
- c. Po vypnutí napájania vypínačom napájania na prednom paneli sa jednotka nedá zapnúť pomocou diaľkového ovládača, pretože napájanie je úplne odpojené. Ak chcete znova zapnúť napájanie jednotky, stlačte vypínač napájania na prednom paneli.

**Nastavenie podsvietenia displeja (stlmenie jas)**

Stlačením tlačidla LIGHT na diaľkovom ovládači môžete nastaviť jas podsvietenia displeja na vysokú, strednú a nízku úroveň.

**Nastavenie času a uloženia na spánok**

Jednotka obsahuje funkcie hodín a uloženia na spánok. Ak ich chcete používať, prečítajte si pokyny uvedené nižšie.

1. Zapnite napájanie jednotky a stlačením tlačidla MODE na diaľkovom ovládači alebo tlačidla M na prednom paneli jednotky prepínajte režimy, kým sa na displeji nezobrazí rozhranie času hodín. Pri prvom použití tejto jednotky sa jednotka priamo prepne na rozhranie času hodín, keď zapnete jej napájanie.
2. Stlačte tlačidlo M na prednom paneli na 3 sekundy, kým číslice hodiny na displeji nezačnú blikať.
3. Potom otáčaním kolieska nastavenia hlasitosti nastavte požadovanú hodinu a krátkym stlačením tlačidla M potvrdte nastavenie hodiny. Na displeji medzitým začnú blikať číslice minút.
4. Otáčaním kolieska nastavenia hlasitosti potom nastavte minúty a krátkym stlačením tlačidla M potvrdte svoje nastavenie. Jednotka potom prejde k nastavovaniu uloženia na spánok.
5. Otáčaním kolieska nastavenia hlasitosti nastavte hodnotu pre čas uloženia na spánok (vypnuté, 15, 30, 60, 90, 120). Krátkym stlačením tlačidla M potom potvrdte všetky nastavenia a ukončíte režim nastavovania.

**Poznámky:**

- a. V režime prehrávania USB/SD/AUX/FM môžete skontrolovať aktuálny čas tak, že stlačíte a podržíte kláves 0 na diaľkovom ovládači. Aktuálny čas sa zobrazí na 3 sekundy a potom sa znova zobrazí rozhranie režimu prehrávania.
- b. Ak máte v jednotke nastavený čas uloženia na spánok, napájanie jednotky sa automaticky vypne po dosiahnutí nastaveného času.

**Používanie budíka**

Jednotka poskytuje 2 budíky, ktoré vás môžu zobudiť v nastavenom čase budenia. Pokyny na ich nastavenie a používanie nájdete nižšie.

1. Stlačte tlačidlo M na prednom paneli jednotky, kým neprejdete do rozhrania zobrazovania času hodín.
2. Stlačte tlačidlo spustenia a pozastavenia prehrávania a podržte ho stlačené, kým sa na displeji nerozblíkajú ikona budíka. Otáčaním kolieska nastavenia hlasitosti môžete prepínať medzi budíkmi č. 1 až č. 2.
3. Krátkym stlačením tlačidla M vyberte budík, ktorý chcete nastaviť, a potom otáčaním kolieska nastavenia hlasitosti nastavte hodinu budíka.
4. Krátkym stlačením tlačidla M potvrdte nastavenie hodiny a otáčaním kolieska hlasitosti nastavte minúty budíka.
5. Krátkym stlačením tlačidla M potvrdte nastavenie minút. Na displeji sa rozblíkajú ikona budíka.
6. Krátkym stlačením tlačidla spustenia a pozastavenia prehrávania môžete prepínať medzi zapnutím a vypnutím budíka. Potom chvíľu počkajte. Po uplynutí 5 sekúnd sa režim nastavovania budíka ukončí a zobrazí sa rozhranie času hodín. Ak ste vybrali zapnutie budíka, ikona príslušného nastaveného budíka bude svietiť na displeji, čo znamená, že budík je úspešne nastavený a bude zvoniť.
7. Ak chcete nastaviť druhý budík, postupujte podľa krokov uvedených vyššie.

**Poznámky:**

- a. Ako zdroj budíka je možné vybrať bzučiak a rádio FM. Ak chcete ako zdroj budíka nastaviť rádio FM, na 3 sekundy stlačte kláves 1 na diaľkovom ovládači, kým sa na displeji v režime rádia FM nezobrazí hlásenie ON, ktoré naznačuje, že ako zdroj budíka je nastavená aktuálna stanica rádia FM. Ak chcete zrušiť rádio FM ako zdroj budíka, znova stlačte kláves 1, kým sa na displeji nezobrazí hlásenie OFF. Zdrojom budíka sa tak stane bzučiak.
- b. Keď sa budík rozoznie, stlačením ľubovoľného tlačidla na prednom paneli alebo na diaľkovom ovládači môžete jeho zvuk vypnúť.
- c. V režime času hodín môžete vypnúť nastavenie budíka stlačením a podržaním tlačidla prechodu na nasledujúcu položku na prednom paneli.
- d. Zvuk budíka znie 2 minúty a ak nevykonáte žiadnu ďalšiu akciu, budík sa po 5 minútach znova rozoznie. Toto sa zopakuje dvakrát a potom sa budík automaticky vypne pre prípad, že nikto nie je doma.
- e. Pri nastavovaní budíka skontrolujte, či máte správne nastavené hodiny.
- f. Zabezpečte, aby sa napájanie jednosmerným napätím neprerušilo a zostalo pripojené k jednotke. V opačnom prípade sa budík nemôže spustiť. Po odpojení napájania jednosmerným napätím pozorne skontrolujte nastavenie času a budíkov.
- g. Budík je funkčný aj v režime vypnutia napájania (vypnutý displej), ale napájanie jednosmerným napätím musí zostať zachované a riadne pripojené k jednotke.

**Používanie rádia FM**

Vo vnútri jednotky je vstavaná anténa, ktorá vám umožňuje počúvať vysielanie na staniciach rádia FM. Pred počúvaním rádia sa pokúste presunúť jednotku k oknu, aby sa zlepšil príjem signálu.

Zapnite napájanie jednotky a stlačením tlačidla M na prednom paneli alebo tlačidla MODE na diaľkovom ovládači môžete prejsť do režimu rádia.

1. **Automatické ladenie a prednastavenie:** Krátko stlačte tlačidlo FM SCAN alebo na 3 sekundy stlačte a podržte stlačené tlačidlo spustenia a pozastavenia prehrávania na diaľkovom ovládači alebo na prednom paneli jednotky. Jednotka automaticky vyhľadá a uloží dostupné stanice. V jednotke je možné uložiť až 50 prednastavených staníc.
2. **Automatické vyhľadávanie** Stlačením a podržaním tlačidla prechodu na predchádzajúcu položku alebo tlačidla prechodu na nasledujúcu položku na prednom paneli jednotky alebo na diaľkovom ovládači môžete automaticky vyhľadať dostupnú stanicu s nižšou alebo vyššou frekvenciou. Jednotka sa automaticky zastaví a prehráva vysielanie dostupnej stanice. Stlačením tlačidla SAVE na diaľkovom ovládači môže aktuálnu stanicu uložiť.
3. **Spustenie konkrétnej stanice:** Ak chcete prehrávať vysielanie stanice s určitou konkrétnou frekvenciou, môžete túto frekvenciu priamo zadať pomocou číselných klávesov na diaľkovom ovládači. Ak napríklad chcete naladiť na stanicu vysielajúcu na frekvencii 104,3 MHz, stačí postupne stlačiť klávesy 1-0-4-3 na diaľkovom ovládači. Jednotka prejde na definovanú stanicu a začne prehrávať jej vysielanie.
4. **Výber prednastavenej stanice:** Prednastavenú stanicu môžete vybrať krátkym stláčaním tlačidla prechodu na predchádzajúcu položku alebo tlačidla prechodu na nasledujúcu položku na diaľkovom ovládači alebo na prednom paneli, prípadne zadaním čísla prednastavenej stanice pomocou číselnej klávesnice na diaľkovom ovládači. Ak napríklad chcete počúvať prednastavenú stanicu č. 12, stačí stlačiť klávesy 1-2 na diaľkovom ovládači a príslušná stanica sa začne prehrávať.

**Používanie zariadení USB a kariet microSD**

Pred spustením funkcie prehrávania zuku vo formáte MP3 skontrolujte, či zariadenie USB a karta microSD boli zasunuté do portu USB alebo microSD na zadnom paneli jednotky. Overtete aj to, či do zariadenia bola skopírovaná a uložená hudba vo formáte MP3. Jednotka dokáže podporovať zariadenia s kapacitou do 32 GB.

1. Stláčaním tlačidla MODE alebo M prejdite do režimu prehrávania zo zariadenia USB alebo karty microSD. Jednotka dokáže hudbu automaticky zistiť a po zobrazení celkového počtu skladieb ju začne prehrávať.
2. Krátkym stláčením tlačidla prechodu na predchádzajúcu položku alebo tlačidla prechodu na nasledujúcu položku môžete vybrať predchádzajúcu alebo nasledujúcu skladbu. Stláčením, podržaním a pustením týchto tlačidiel môžete rýchlo prechádzať dopredu alebo dozadu z aktuálne prehrávanej skladby.
3. Zadaním súvisiaceho čísla pomocou číselnej klávesnice na diaľkovom ovládači môžete rýchlo vybrať a prehrať príslušnú skladbu.
4. Krátkym stláčením tlačidla REPEAT na diaľkovom ovládači môžete prepínať režim prehrávania na opakovanie všetkých skladieb, opakovanie jednej skladby a prehrávanie v náhodnom poradí. Tie isté možnosti budete mať k dispozícii aj po stlačení a podržaní tlačidla M na prednom paneli na 3 sekundy.
5. Ak chcete opakovane prehrávať konkrétnu časť skladby, na 3 sekundy stlačte a podržte tlačidlo REPEAT, kým sa na displeji nezobrazí výzva P—A na výber počiatočného bodu. Potom na 3 sekundy stlačte a podržte tlačidlo REPEAT, kým sa na displeji nezobrazí výzva P--b na výber koncového bodu. Jednotka potom bude opakovane prehrávať vybranú skladbu. Stláčením a podržaním tlačidla REPEAT, kým sa na displeji nezobrazí výzva P---E, môžete zrušiť a ukončiť konkrétne opakované prehrávanie.
6. Krátkym stláčením tlačidla EQ na diaľkovom ovládači v režime prehrávania MP3 môžete prepínať medzi režimami ekvalizéra NORMAL/ROCK/POP/CLASS/JAZZ/BASS.

#### **Poznámky:**

- a. Prehrávanie pri pripojení zariadenia USB s použitím predlžovacieho kábla sa neodporúča, pretože to má vplyv na prenos zvukového signálu spôsobuje to problémy so šumom na výstupe.
- b. Jednotka dokáže zistiť a prehrať hudbu iba v prípade nainštalovania zariadenia USB alebo karty microSD.

#### **Používanie funkcie Bluetooth**

Súčasťou jednotky je aj funkcia Bluetooth, ktorá umožňuje prehrávanie zvukového streamu z iného zariadenia Bluetooth.

1. Stláčaním tlačidla MODE alebo M prejdite do režimu funkcie Bluetooth. Pri úspešnom prechode do režimu funkcie Bluetooth z reproduktora zaznie upozorňujúci zvuk, čo znamená, že jednotka je pripravená na spárovanie.
2. Zapnite alebo aktivujte funkciu Bluetooth v zariadení Bluetooth (ako je napríklad smartfón, podrobnosti nájдете v príručke na používanie zariadenia) a vyhľadajte dostupné zariadenie Bluetooth.
3. Skontrolujte zoznam dostupných zariadení Bluetooth vo svojom zariadení a výberom položky BP HR10BT spustíte párovanie (ak sa vyžaduje heslo POP, zadajte heslo 0000). Po úspešnom spárovaní zaznie z rádia upozorňujúci zvuk.
4. Vyberte hudbu v zariadení Bluetooth a prehrávajte ju. Výstup zvuku bude cez rádio.
5. Príslušné operácie môžete vykonávať stláčením tlačidiel prechodu na predchádzajúcu alebo nasledujúcu položku, prípadne tlačidla spustenia a pozastavenia prehrávania.
6. Stláčením a podržaním tlačidla spustenia a pozastavenia prehrávania na 3 sekundy môžete zrušiť párovanie medzi aktuálnym zariadením Bluetooth a jednotkou. Jednotka tak bude pripravená na párovanie s iným zariadením Bluetooth.

**Používanie na hands-free telefonické hovory:** Stláčením tlačidla spustenia alebo pozastavenia prehrávania na prednom paneli v režime prehrávania zo zariadenia Bluetooth môžete prijať prichádzajúci hovor a opätovným stláčením tohto tlačidla môžete hovor ukončiť. Počas hovoru priložte svoje ústa k tkaninovej mriežke reproduktora, pretože mikrofón je vstavaný za mriežkou reproduktora.

**Poznámka:**

- a. Vzhľadom na odlišnosti značiek a dizajnu nie je možné zaručiť, že sa všetky zariadenia Bluetooth dokážu úspešne spárovať.
- b. Optimálna vzdialenosť pre používanie funkcie Bluetooth je do 10 metrov a bez akýchkoľvek prekážok na spojnicu medzi oboma zariadeniami.
- c. Pri používaní režimu hands-free telefonických hovorov neprikladajte mobilný telefón príliš blízko k jednotke, pretože pri tom dochádza k interferencii a má to vplyv na kvalitu príjmu zvuku.

**Prevádzka v režime AUX IN / MP3 Link**

Pomocou dodávaného stereofónneho zvukového kábla s 3,5 mm konektormi pripojte konektor AUX IN na zadnom paneli jednotky k druhému prehrávaču (ako je napríklad prehrávač MP3 atď.). Jednotka priamo prejde do režimu prehrávania AUX IN. Vyberte hudbu v prehrávači a prehrávajte ju. Výstup zvuku bude cez rádio.

Upozorňujeme, že hlavné funkcie prehrávania ovládate prostredníctvom prehrávača. Pomocou rádia môžete v režime AUX IN iba nastavovať hlasitosť a spúšťať a pozastavovať prehrávanie.

**Špecifikácie:**

Zdroj napájania: Jednosmerný prúd (5 V / 2 A)

Výstupný výkon: 5 W RMS.

FM frekvencia: 87,5 ~ 108,0 MHz

Menovitý výkon výstupu USB: 100 mA.

Verzia Bluetooth: V4.0

Spotreba energie: < 8 W

Spotreba v pohotovostnom režime: < 0,7 W

**Výrobné nastavenia:**

Systémový čas: 00 00, 2015-01-01.

Formát času: 24-hodinový.

Uloženie na spánok: VYPNUTÉ.

Trvanie budíka: 2 minúty

Hlasitosť: 15

(Špecifikácie môžu byť zrevidované bez predchádzajúceho upozornenia)

**Riešenie problémov**

1. Displej sa nemôže rozsvietiť.
  - a. Skontrolujte, či je zdroj jednosmerného napätia správne pripojený.
  - b. Stlačením a podržaním vypínača napájania na 3 sekundy zapnite jednotku.
  - c. Ak problém pretrváva, požiadajte o podporu servisné stredisko.
2. Rozhlasová stanica nemá dobrý zvuk.
  - a. Umiestnite jednotku k oknu, aby sa zlepšil príjem.
  - b. Skúste prepnúť na inú stanicu rádia FM na počúvanie.
  - c. Ak problém pretrváva, požiadajte o podporu servisné stredisko.
3. Zvuk v režime zariadenia USB alebo karty microSD nie je dobrý.
  - a. Pozorne skontrolujte, či ste zariadenie USB alebo kartu microSD vložili správne.
  - b. Skúste vypnúť a zapnúť napájanie jednotky a potom znova prehrávať.
  - c. Ak problém pretrváva, požiadajte o podporu servisné stredisko.
4. Zvuk zo zariadenia Bluetooth je prerušovaný.
  - a. Skúste presunúť zariadenie Bluetooth bližšie k jednotke.

## FONTOS BIZTONSÁGI UTASÍTÁSOK



### Vigyázat:

Az áramütés kockázatának csökkentése érdekében ne szerelje szét a terméket, és ne tegye ki a készüléket esőnek vagy nedvességnek. A termék nem tartalmaz szervizelhető alkatrészeket. A szervizelést csak szakképzett szerelő végezze.

### A grafikus szimbólumok magyarázata:



Az egyenlő szárú háromszögben lévő villám szimbólum a termék belsejében lévő, olyan nem szigetelt, veszélyes feszültségre hívja fel a figyelmet, amely elég nagy ahhoz, hogy áramütést okozzon egy személynek vagy személyeknek.



Az egyenlő szárú háromszögben lévő felkiáltójel a termékhez mellékelt irodalomban található fontos kezelési és karbantartási (szervizelési) utasításokra hívja fel a figyelmet.

A legjobb élmény és teljesítmény eléréséhez, valamint a termék funkcióinak megismeréséhez figyelmesen olvassa el a jelen kézikönyvet a termék üzembe helyezése előtt. Így készüléke éveket a legjobb teljesítményt és zenei élményt nyújtja.

## Fontos megjegyzések

- Őrizze meg a jelen biztonsági és használati utasításokat későbbi felhasználás céljából.
- Ne tegye ki a készüléket párának vagy fröccsenésnek és nedves környezetnek (pl. fürdőszoba).
- Ne helyezze a készüléket a következő helyekre:
  - o Közvetlen napfénynek kitétt vagy fűtőtestekhez közeli helyek.
  - o Túl sok hőt sugárzó sztereóberendezések teteje.
  - o Szellőzést akadályozó hely vagy poros terület.
  - o Folyamatosan rezgő helyek.
  - o Magas páratartalmú vagy nedves helyek.
- Ne helyezze gyertyákhoz vagy más nyílt lánghoz közel.
- Csak a használati útmutató szerint üzemeltesse a készüléket.
- A készülék első bekapcsolása előtt győződjön meg arról, hogy megfelelően csatlakoztatta a tápadaptert.

Biztonsági okokból ne távolítsa el a burkolatot, és ne kíséreljen meg hozzáférni a készülék belsejéhez. A szervizelést bízza szakképzett szerelőre.

Ne próbálja meg eltávolítani a csavarokat vagy kinyitni a készülék házát; nem találhatók benne szervizelhető alkatrészek. Az összes szervizelést bízza szakképzett szerelőre.

## BIZTONSÁGI UTASÍTÁSOK

- 1. Olvassa el az utasításokat** – A készülék üzembe helyezése előtt olvassa el az összes biztonsági és használati utasítást.
- 2. Órizzze meg az utasításokat** – A biztonsági és használati utasításokat tartsa a készülékkel együtt későbbi felhasználás céljából.
- 3. Figyelmeztetések** – A készüléken, valamint a használati utasításokban lévő összes figyelmeztetést be kell tartani.
- 4. Tartsa be az utasításokat** – Tartsa be az összes használati utasítást.
- 5. Üzembe helyezés** – A gyártó utasításai szerint helyezze üzembe a készüléket.
- 6. Áramforrások** – A terméket csak olyan típusú áramforrásról szabad üzemeltetni, amely fel van tüntetve a tápkábel bemeneténél. Ha háztartásában nem található ilyen típusú áramforrás, forduljon a termékkereskedőhöz vagy a helyi energiaszolgáltatóhoz.
- 7. Földelés és polarizáció** – A terméket nem szükséges földelni. A csatlakozó teljesen bele legyen dugva a hosszabbító kábel aljzatába, hogy a dugasz érintkezői ne látszódnak ki. A termék egyes változatai polarizált, váltakozó vezetékcsatlakozójú tápkábelrel szerelték (olyan csatlakozó, amelynek egyik pengéje szélesebb, mint a másik). Az ilyen típusú csatlakozók csak egyféleképpen illeszthetők az aljzatba. Ez egy biztonsági funkció. Ha nem tudja teljesen beilleszteni a csatlakozót az aljzatba, próbálja meg megfordítani csatlakozót. Ha a csatlakozót így sem sikerül beilleszteni, forduljon villanyszerelőhöz az elavult aljzat cseréjéért illetően. Ne iktassa ki a polarizált csatlakozó biztonsági funkcióját. Ha tápkábel-hosszabbítót vagy egy nem a készülékhez mellékelt tápkábelt használ, ügyeljen arra, hogy a kábel megfelelő formájú csatlakozóval legyen felszerelve, és megfeleljen az adott országnak biztonsági előírásainak.
- 8. Tápkábel-védelem** – A tápkábeleket úgy kell elvezetni, hogy azokra ne lépjenek rá, ne hurkolódjanak, ne csipjék be őket a rájuk helyezett tárgyak, illetve ne feszüljenek nekik. Fordítson különös figyelmet a kábelvégekre, dugaljakra és a termék csatlakozási pontjaira.
- 9. Túlterhelés** – Ne terhelje túl a fali aljzatokat, a hosszabbító kábeleket és az elosztókat, mivel ezek tüzet vagy áramütést okozhatnak.
- 10. Szellőzés** – A termék szellőzése legyen megfelelő. Ne helyezze a terméket ágyra, kanapéra vagy hasonló felületre. Ne takarja le a terméket olyan tárgyakkal, mint asztalterítő, újságpapír stb.
- 11. Hő** – Ne helyezze a terméket hőforrások (pl. radiátorok, konvektorok, kályhák vagy egyéb berendezések, többek között erősítők) mellé. Ne helyezzen nyílt lángot (pl. meggyújtott gyertya) a készülékre.
- 12. Víz és nedvesség** – A tűzveszély és az áramütés elkerülése érdekében ne tegye ki a készüléket esőnek, fröccsenésnek vagy túlzott nedvességnek (pl. szauna vagy fürdőszoba). Ne használja a készüléket víz közelében, mint például fürdőkád, mosdókagyló, mosogató, mosókonyha, úszómedence közelében és nyirkos pincében.
- 13. Tárgyak és folyadékok** – Ne nyomjon be tárgyakat a készülék nyílásaiba, mivel azok hozzáérhetnek veszélyes feszültségpontokhoz vagy rövidzárlatot okozhatnak, és ez tűzhöz vagy áramütéshez vezethet. Ne öntsön semmiféle folyadékot a készülékre. Ne helyezze olyan tárgy tetejére, amely folyadékot tartalmaz.
- 14. Tisztítás** – Tisztítás előtt húzza ki a készüléket a fali aljzattól. A mélyhangesugárzóban lévő port száraz ruhával törölje ki. Ha aeroszolos tisztítóspray-t használ, ne permetezzen közvetlenül a bútorra, hanem a ruhára permetezzen. Ügyeljen arra, hogy ne sértse meg a meghajtóegységeket.
- 15. Tartozékok** – Ne használjon olyan tartozékokat, amelyeket a gyártó nem javasol, mivel ezek veszélyt okozhatnak.



16. **Kiegészítők** – Ne helyezze a terméket instabil kocsira, állványra, háromlábú állványra, tartóra vagy asztalra, mivel a termék leeshet, és ez személyi (gyermek vagy felnőtt) sérülést vagy a termék súlyos károsodását okozhatja. Csak a gyártó által javasolt vagy a termékhez mellékelte kocsit, állványt, háromlábú állványt, tartót vagy asztalt használja. Csak a gyártó utasításai szerint szerelje fel a terméket, és csak a gyártó által javasolt konzolt használja.
17. **A termék mozgatása** – A kocsira állított termék mozgatásakor nagyon óvatosan járjon el. A gyors megállás, túlzott erőfelfejtés vagy egyenetlen felület a kocsira állított termék felborulásához vezethet.
18. **Használaton kívüli időszakok** – Húzza ki a készülék tápkábelét viharos időben, illetve ha a készüléket hosszabb ideig nem használja.
19. **Szervizelés** – Ne próbálja meg szervizelni a készüléket, mivel a burkolatok kinyitása és eltávolítása során veszélyes feszültségnek vagy más veszélynek lehet kitéve. Az összes szervizelést bízza szakképzett szerelőre.
20. Ha nem használja a készüléket, húzza ki a tápcsatlakozót a fő áramforrásból vagy fali áramforrásból. A készülék akkor is áram alatt van, ha a készülék áramforráshoz csatlakozik, és a rendszer készenléti üzemmódban van.
21. **Cserealkatrészek** – Ha cserealkatrészekre van szükség, a szerelőnek a gyártó által előírt cserealkatrészeket vagy az eredeti alkatrészsel azonos műszaki tulajdonságokkal rendelkező cserealkatrészeket kell használnia.11. A nem engedélyezett cserealkatrészek tüzet, áramütést vagy más veszélyt okozhatnak.
22. **Hálózati biztosítékok** – A tűzveszély folyamatos védelme érdekében csak a megfelelő típusú és teljesítményű biztosítékokat használja. Az egyes feszültségtartományoknak megfelelő biztosítékjellemzők fel vannak tüntetve a terméken.
23. Ne növelje a hangerőt, ha nagyon alacsony szintű a bemeneti jel, vagy egyáltalán nincs audiojel. Ellenkező esetben a hangszóró károsodhat, ha hirtelen nagy hangerővel szólal meg a lejátszás.
24. A termék tápellátása csak úgy szüntethető meg teljesen, ha kihúzza a tápkábelt a fali aljzathoz vagy a termékből. A termék használata közben mindig legyen könnyen hozzáférhető a fali aljzat vagy a termék tápkábele.
25. Próbálja a terméket a fali aljzathoz vagy a hosszabbító kábelhez közel, egy könnyen hozzáférhető helyen elhelyezni.
26. A készülék legfeljebb 35 °C környezeti hőmérséklet esetén üzemeltethető.
27. **Az ESD-vel (elektrosztatikus kisülés) kapcsolatos tippek** – A termék normális működését megzavarhatja az erős elektromágneses interferencia. Ha ilyen történik, a használati útmutató utasításait követve állítsa alaphelyzetbe a terméket a normális működés folytatásához. Abban az esetben, ha a termék továbbra sem működik, helyezze át a terméket egy másik helyre.
28. **Akkumulátor**
  - 1) Ne tegye ki az akkumulátorokat túlzott hőnek, mint például napsütés, tűz vagy hasonló.
  - 2) Az akkumulátorokat az akkumulátorok ártalmatlanítására vonatkozó környezetvédelmi előírások figyelembe vételével kell ártalmatlanítani.
  - 3) Akkumulátorhasználattal kapcsolatos FIGYELMEZTETÉS – a testi sérülést, anyagi kárt vagy a készülék károsodását okozó akkumulátorszivárgás megakadályozásához:
    - A készüléken lévő + és - jelöléseknek megfelelően, helyesen tegye be az összes akkumulátort.
    - Ne használjon egyszerre különböző elemeket (régi és új, illetve karbon és alkáli stb.).

- Vegye ki az akkumulátorokat, ha a készüléket hosszabb ideig nem használja.

### **ERP2-re (energiával kapcsolatos termékek) vonatkozó megjegyzés**

A termék megfelel a 2009/125/EK irányelv végrehajtásáról szóló 1275/2008 számú bizottsági rendelet 2. szakaszában található, az elektromos és elektronikus háztartási és irodai berendezések készenléti és kikapcsolt üzemmódban fellépő elektromosáram-fogyasztására vonatkozó környezetbarát tervezési követelményeknek. Ha 60 percig nem észlel bemenő audiojelet, a készülék automatikusan készenléti üzemmódba kapcsol. A használat folytatásához olvassa el a kezelői kézikönyvet.

### **Fontos megjegyzések:**

A készülék energiatakarékos üzemmódban működik: ha 60 percig nem kap jelet, a készülék automatikusan készenléti üzemmódba vált, hogy energiát takarítson meg (ERP 2 szabvány). Előfordulhat, hogy a rendszer az alacsonyhangerejű audioforrást nem érzékeli audiojelként: ez hatással van a jelérzékelési képességére, és a készülék automatikusan készenléti üzemmódba válthat. Ebben az esetben a lejátszás folytatásához aktiválja újra az audiojel-átvitelt vagy növelje az audioforrás (MP3-lejátszó stb.) hangerő-beállítását. Ha a probléma továbbra is fennáll, forduljon a helyi szervizközpontoz.

### **Figyelmeztetés**

A berendezést a csökkenő fizikai vagy mentális képességekkel rendelkező személyek (beleértve a gyerekeket is), vagy az olyan személyek, akik nem ismerik a berendezést, csak felügyelet mellett vagy a biztonságukért felelő személy által előírt utasítások szerint használhatják. Gyermek csak felügyelet mellett használhatják a készüléket. A készülék nem játékszer.

1. A halláskárosodás elkerülése érdekében ne hallgassa a készüléket magas hangerővel huzamosabb ideig, illetve ne növelje hirtelen a hangerőt.
2. Soha ne használja a készüléket felügyelet nélkül. Mindig kapcsolja ki a készüléket, ha nem használja, még akkor is, ha ez csak egy rövidebb időtartam.
3. A készülék nem működtethető külső időzítőről vagy külön távvezérlő-rendszerrel.
4. Ha a tápkábel sérült, a veszély elkerülése érdekében cseréltesse ki a gyártóval, a szervizszolgálattal vagy hasonló szakképzett személlyel.
5. A készülék üzembe helyezése előtt ellenőrizze, hogy a rendszer feszültsége megegyezik-e a helyi hálózati áram feszültségével.
6. A terméket ne takarja le (pl. újságpapírral, asztalterítővel, függönnyel stb.) úgy, hogy blokkolja a szellőzőnyílásait. Győződjön meg arról, hogy a készülék felett legalább 20 cm, a készülék oldalánál pedig legalább 5 cm szabad hely van.
7. Ne tegye ki a készüléket páranak vagy fröccsenésnek, és ne helyezze olyan tárgyakra, amelyek folyadékkal vannak töltve (pl. váza).
8. A tűz vagy áramütés megakadályozása érdekében ne tegye a készüléket forró helyre, és ne érje eső, nedvesség vagy por.
9. Ne tegye a készüléket vízforrás közelébe (pl. csapok, fürdőkádak, mosógépek vagy úszómedencék). A készülék száraz, stabil felületen legyen.
10. Ne tegye a készüléket erős mágneses mező közelébe.
11. Ne tegye a készüléket erősítőre vagy vevőkészülékre.
12. Ne tegye a készüléket nyirkos helyre, mivel a nedvesség kedvezőtlen hatással van az elektromos alkatrészek élettartamára.
13. Ha a készüléket közvetlenül hidegről melege viszi át, vagy nagyon nyirkos helyre teszi, a lencse belsején nedvesség képződhet. Ebben az esetben a rendszer nem

működik megfelelően. Hagyja a rendszert bekapcsolva körülbelül egy óráig, amíg a nedvesség el nem párolog.

14. Ne próbálja meg vegyi oldószerekkel tisztítani a készüléket, mivel ezek károsíthatják a felületét. Tiszta, száraz vagy enyhén nedves ruhával törölje meg.
15. A tápcsatlakozó kihúzásakor mindig közvetlenül a csatlakozót húzza, soha ne a kábelt.
16. A hálózati csatlakozó megszakítóeszközként szolgál, így a megszakítóeszköznek mindig elérhetőnek kell lennie.



## MEGJEGYZÉS



A készülék megfelel az Európai Közösség rádióinterferenciára vonatkozó követelményeinek.



A készülék kiváló minőségű, újrahasznosítható és újrafelhasználható anyagokból, illetve alkatrészekből készült.



Ha az áthúzott, kerekes szemetesláda szimbólum fel van tüntetve a készüléken, az azt jelenti, hogy a készülék megfelel a 2002/96/EK európai irányelvnek. Kérjük, tájékozódjon az elektromos és elektronikus készülékek helyi szelektív gyűjtésére vonatkozó előírásokról. Cselekedjen a helyi törvényeknek megfelelően, és a kiselejtezett készülékeket gyűjtse elkülönítve a lakossági hulladéktól. A feleslegessé vált készülék helyes kiselejtezésével segít megelőzni a környezetszennyezést és a különféle egészségkárosodásokat.



A termék akkumulátorai megfelelnek a 2006/66/EK európai irányelv követelményeinek, ezért ne kezelje őket háztartási hulladékként. Tájékozódjon a hulladékok szelektív gyűjtésének helyi rendszeréről, mivel a megfelelő hulladékkezelés hozzájárul a környezetszennyezéssel és a különféle egészségkárosodásokkal kapcsolatos következmények megelőzéséhez.

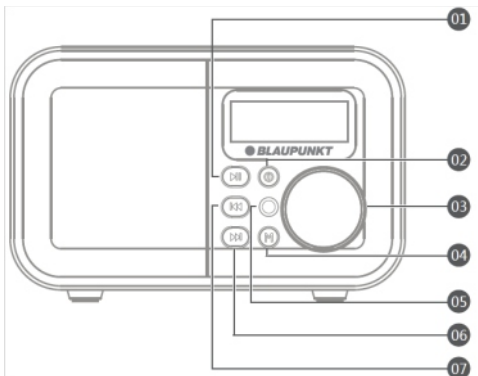
### **Környezetvédelemmel kapcsolatos tudnivalók**

A termék csomagolása nem tartalmaz felesleges csomagolóanyagot. Igyekeztünk úgy kialakítani a csomagolást, hogy könnyen szétválasztható legyen a következő három anyagra: karton (doboz), papírmassza (védőelem) és polietilén (zacskó, védő habfólia). A rendszerben található anyagokat erre specializálódott vállalat képes újrafeldolgozni és újrahasznosítani. Tartsa be a csomagolóanyagok, elhasznált akkumulátorok és régi berendezések ártalmatlanítására vonatkozó helyi szabályozásokat. Bizonyos anyagok felvételéhez és lejátszásához hozzájárulás szükséges. Lásd az 1956-os szerzői jogi, illetve az 1958–1972-es, a szellemi tulajdon védelmével foglalkozó törvényt.

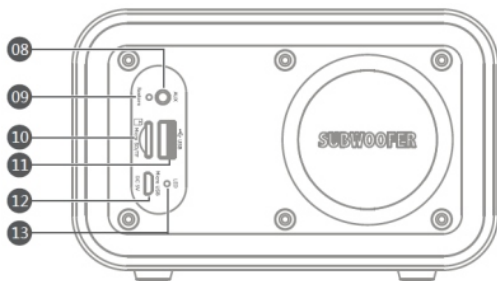


A Bluetooth<sup>®</sup> szó márkajelzés és logók a Bluetooth SIG, Inc. bejegyzett védjegyei, és ezen márkajelzéseket engedéllyel használjuk. Más védjegyek és márkanevek a vonatkozó tulajdonoshoz tartoznak.

### Kezelőszervek elhelyezkedése

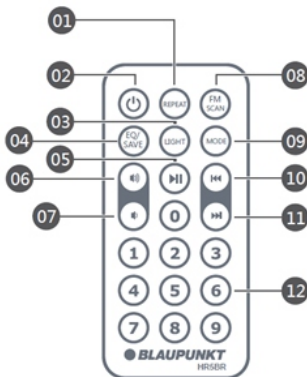


- 01— Lejátszás/szünet gomb a lejátszás elindításához/szüneteltetéséhez, illetve némításhoz.
- 02— Főkapcsoló gomb a készülék be- és kikapcsolásához.
- 03— Hangerő-szabályozó gomb a hangerő beállításához.
- 04— Üzem módkapcsoló gomb az üzemmódok közötti váltáshoz: óra/USB/microSD/FM/AUX IN üzemmód.
- 05— Távvezérlő érzékelőjének ablaka.
- 06— Következő gomb.
- 07— Előző gomb.



- 08— AUX IN jack bemenet
- 09— Alaphelyzetbe állítás
- 10— microSD-kártya nyílása.
- 11— USB-aljzat.
- 12— DC 5 V-os jack aljzat.
- 13— Tápellátás LED visszajelzője.

## Távvezérlő



- 01— Ismétlés gomb (összes ismétlése, véletlenszerű lejátszás, egy zeneszám ismétlése).
- 02— Be-/kikapcsoló gomb.
- 03— Fényerő-szabályozó gomb a kijelző-háttérvilágítás fényerősségének beállításához.
- 04— Hangszinkiválasztó gomb (csak USB-/microSD-kártya-lejátszási üzemmódban)
- 05— Lejátszás/szünet gomb.
- 06— Hangerő növelése.
- 07— Hangerő csökkentése.
- 08— FM automatikus keresése gomb.
- 09— Üzemmód gomb a lejátszási forrás kiválasztásához.
- 10— Előző gomb.
- 11— Következő gomb.
- 12— Számgombok (0–9).

### Megjegyzések:

- a. A távvezérlő használata előtt győződjön meg arról, hogy a CR2025 típusú elem megfelelően, a jelzett polarítások szerint van behelyezve.
- b. A távvezérlő használata előtt távolítsa el a szigetelőlapot.
- c. A lemerült elemet környezetbarát módon selejtezze le. Ezzel kapcsolatban kövesse a helyi kormányzati szabályozásokat és előírásokat.
- d. A távvezérlő hatótávolsága 5 méter (akadályok nélkül). A távvezérlő használatához irányítsa a távvezérlő érzékelőjét a készülék előlapjára.

### A készülék üzembe helyezése és a tápellátás csatlakoztatása

A mellékelt USB-tápkábel egyik végét csatlakoztassa a DC adapterhez, az USB-kábel másik végét pedig csatlakoztassa a készülék hátulján található micro USB DC tápcsatlakozóhoz, majd csatlakoztassa a DC-adaptert a hálózati tápaljzathoz. A tápellátás piros LED visszajelzője világítani kezd, ha a tápellátást megfelelően csatlakoztatta.

Tartsa lenyomva a készülék előlapján található főkapcsolót 2 másodpercig a készülék be-/kikapcsolásához. A készülék a távvezérlőn lévő főkapcsolóval kapcsolható készenléti üzemmódba. A bekapcsolást követően a kijelző világítani kezd, majd megkezdheti a készülék használatát.

### Megjegyzések:

- a. A mellékelt USB-tápkábel egyik vége egy univerzális USB-csatlakozó, míg a másik vége egy micro USB csatlakozó. Az univerzális USB-csatlakozót a DC adapterhez, a micro USB csatlakozót pedig a DC USB-tápaljzathoz kell csatlakoztatni.
- b. A működtetéshez csak a mellékelt, vagy azzal azonos műszaki adatokkal rendelkező tápadaptert használjon.
- c. Ha az előlapon lévő főkapcsolóval kapcsolja ki a készüléket, az nem kapcsolható be a távvezérlővel, mivel a készülék tápellátása teljesen megszakad. Ilyen esetben a készülék visszakapcsolásához használja az előlapi kapcsolót.

### Kijelző háttérvilágításának beállítása (fényerő-szabályozás)

A távvezérlő „LIGHT” gombjával állíthatja be a kijelző háttérvilágításának fényerejét (magas, közepes vagy alacsony fényerőszint).

### Naptár és idő / alvásidő beállítása

A készülék időkijelzés és alvásidő funkcióval is rendelkezik. Használatukhoz kövesse az alábbi eljárást.

1. Kapcsolja be a készüléket, nyomja meg a távvezérlő „MODE” gombját vagy az előlapi „M” gombot, amíg a kijelzőn meg nem jelenik az idő kezelőfelülete. A készülék első használatakor a készülék kijelzőjén automatikusan az idő kezelőfelülete jelenik meg a bekapcsoláskor.
2. Tartsa lenyomva 3 másodpercig az előlapon lévő „M” gombot, amíg az óra számjegyei villogni nem kezdenek a kijelzőn.
3. A hangerő-szabályozó gombbal állítsa be az órát, az „M” gomb rövid megnyomásával hagyja jóvá a beállítást; ekkor a perc számjegyei kezdenek villogni a kijelzőn.
4. A hangerő-szabályozó gombbal állítsa be a percet, majd az „M” gomb rövid megnyomásával hagyja jóvá a beállítást. Ekkor a készülék az alvásidő-beállítás üzemmódba lép.
5. A hangerő-szabályozó gombbal állítsa be az alvásidőt (ki, 15, 30, 60, 90, 120). Nyomja meg röviden az „M” gombot az összes beállítás jóváhagyásához, és lépjen ki ebből a beállítási üzemmódból.

### Megjegyzések:

- a. USB/SD/AUX/FM üzemmódban a távvezérlő „0” számgombjának megnyomásával ellenőrizheti az aktuális időt: a kijelzőn 3 másodpercre megjelennek az időre vonatkozó információk, majd a kijelző visszatér az aktuális üzemmód kezelőfelületére.
- b. Ha állított be alvási időt, a készülék a beállított idő lejártá után automatikusan kikapcsol.

### Ébresztés használata

A készüléken 2 ébresztési idő állítható be, amely a megadott időpontban ébreszt. Beállításukhoz kövesse az alábbi eljárást.

1. A készülék előlapján lévő „M” gombbal válassza ki az időkijelzés kezelőfelületét.
2. Tartsa lenyomva a lejártszús/szünet gombot, amíg az ébresztés hang ikonja villogni nem kezd a kijelzőn. A hangerő-szabályozó gombbal választhat az 1–2. ébresztés között.
3. Nyomja meg röviden az „M” gombot a beállítani kívánt ébresztés kiválasztásához, majd a hangerő-szabályozó gombbal állítsa be az ébresztési órát.
4. Nyomja meg röviden az „M” gombot az óra beállításának jóváhagyásához, majd a hangerő-szabályozó gombbal állítsa be a percet.
5. Az „M” gomb rövid megnyomásával hagyja jóvá a perc beállítását, ekkor az ébresztés hang ikonja villogni kezd a kijelzőn.
6. Az ébresztés a lejártszús/szünet gomb rövid megnyomásával kapcsolható be és ki. Az ébresztés kiválasztásához maradjon az adott ébresztésen. 5 másodperc után a kijelző kilép az ébresztés beállítás üzemmódból, és visszatér az idő kezelőfelületre. Az ébresztés bekapcsolásakor a megfelelő ébresztés hang ikonja világitani kezd a kijelzőn; ez jelzi, hogy az ébresztés beállítás sikeresen megtörtént. Az ébresztés ekkor aktív.
7. Másik ébresztés beállításához végezze el a fenti lépéseket ismét.

### Megjegyzések:

- a. Ébresztési hangként hangjelzés vagy az FM-rádió állítható be. Ha az FM-rádiót kívánja ébresztési hangként beállítani, nyomja meg a távvezérlő „1-es” számgombját 3 másodpercig, amíg az „ON” felirat meg nem jelenik a kijelzőn FM-rádió üzemmódban; ekkor az aktuális FM-rádióállomás kerül beállításra ébresztési hangként. Ha mégsem az FM-rádiót kívánja ébresztési hangként használni, nyomja meg ismét az „1-es” számgombot, amíg az „OFF” felirat meg nem jelenik a kijelzőn. Ekkor a hangjelzés kerül beállításra ébresztési hangként.
- b. A folyamatban lévő ébresztés az előlap vagy a távvezérlő bármely gombjának megnyomásával állítható le.
- c. Időkijelzés üzemmódba tartsa lenyomva az előlapon lévő Következő gombot az összes beállított ébresztés törléséhez.
- d. Az ébresztés időtartama 2 perc. Ha nem történik gombnyomás, az ébresztés 5 perc után ismét megszólal. Ez 2-szer ismétlődik meg, majd az ébresztés automatikusan kikapcsol (pl. ha senki sincs otthon).
- e. Ébresztés használatakor ügyeljen arra, hogy a megfelelő idő legyen beállítva.
- f. Gondoskodjon a készülék folyamatos DC tápellátásáról, ellenkező esetben az ébresztés nem szólal meg. Ha a DC tápellátás megszakad, visszaállása után ellenőrizze ismét az idő és ébresztés beállítását.
- g. Az ébresztés akkor is megszólal, ha a készülék (vagyis a kijelző) ki van kapcsolva, de a DC tápellátásnak folyamatosnak kell lennie.

### FM-rádió használata

A készülék beépített antennájával foghatók az FM-rádióállomások. Rádió hallgatása előtt – a legjobb vétel érdekében – helyezze a készüléket ablak mellé.

Kapcsolja be a készüléket, majd az előlapon lévő „M” gombbal vagy a távvezérlő „MODE” gombjával válassza ki a rádió üzemmódot.

1. **Automatikus hangolás és tárolás:** Nyomja meg az „FM SCAN” gombot, vagy tartsa lenyomva az előlap vagy a távvezérlő „PLAY/PAUSE” gombját 3 másodpercig, ekkor a készülék automatikusan megkeresi és eltárolja az elérhető állomásokat. A készülék legfeljebb 50 állomást tud tárolni.
2. **Automatikus keresés:** Tartsa lenyomva az előlapon vagy a távvezérlőn lévő „Előző” vagy „Következő” gombot az elérhető állomások automatikus kereséséhez. A készülék automatikusan megáll az első elérhető állomásnál, és elkezd lejátszani. Az aktuális állomás a távvezérlő „SAVE” gombjával menthető.
3. **Kívánt állomás megadása:** A távvezérlő számgombjaival közvetlenül is megadhatja a hallgatni kívánt állomás frekvenciáját. Például, ha a 104,3 MHz-en található rádióállomást kívánja hallgatni, csak nyomja meg a távvezérlőn lévő számgombokat az alábbi sorrendben: 1, 0, 4, 3. Ekkor a készülék átugrik a megadott állomásra, és elkezd lejátszani.
4. **Tárolt állomás előhívása:** Tárolt állomás előhívásához nyomja meg röviden az előlapon vagy a távvezérlőn lévő „Előző” vagy „Következő” gombot, vagy a távvezérlő számgombjaival adja meg a tárolt állomás memóriahelyének számát. Például, ha a 12-es memóriahelyen tárolt állomást kívánja hallgatni, csak nyomja meg az 1-es, majd 2-es gombot a távvezérlőn, és el is indul a megfelelő állomás lejátszása.



### USB-eszköz és microSD-kártya lejátszása

Az MP3-lejátszási funkció elindítása előtt győződjön meg arról, hogy az USB-eszköz vagy a microSD-kártya megfelelően van behelyezve a készülék hátulján lévő USB- vagy microSD-portba. Az MP3 zeneszámok a készülék memóriájába is átmásolhatók és tárolhatók. A készülék legfeljebb 32GB kapacitású eszközöt támogat.

1. A „MODE” vagy az „M” gombbal válassza ki az USB- vagy microSD-lejátszási üzemmódot, a készülék automatikus érzékeli és elkezdi lejátszani az zenét, miután megjelenítette az eszközön található zeneszámok összességét.
2. Az „Előző” vagy „Következő” gomb rövid megnyomásával ugorhat az előző vagy következő zeneszámra, illetve az „Előző” vagy „Következő” gomb lenyomva tartásával tekerhet az aktuális zeneszámon belül.
3. A távvezérlő számgombjaival egyszerűen kiválaszthatja és lejátszhatja a kívánt zeneszámot.
4. A távvezérlő „REPEAT” gombjával válthat az „összes ismétlése”, „egy zeneszám ismétlése” és a „véletlenszerű lejátszás” között. Ugyanez a készülék előlapján lévő „M” gomb lenyomva tartásával (3 másodperc) is elvégezhető.
5. Ha egy zeneszám egy adott részét kívánja csak ismételni, tartsa lenyomva a „REPEAT” gombot 3 másodpercig, amíg a kijelzőn meg nem jelenik a P—A felirat az indulási pont kiválasztásához. Ezután tartsa lenyomva a „REPEAT” gombot 3 másodpercig, amíg a kijelzőn meg nem jelenik a P--b felirat a végpont kiválasztásához. A művelet elvégzése után a készülék csak a kiválasztott részt fogja ismételni. Ha ki kíván lépni az ismétlése lejátszásból, tartsa lenyomva a „REPEAT” gombot, amíg a kijelzőn meg nem jelenik az P---E felirat.
6. MP3-lejátszási üzemmódban az EQ gomb rövid megnyomásával válthat a különböző hangszínek között: NORMAL/ROCK/POP/CLASS/JAZZ/BASS.

### Megjegyzések:

- a. USB-kábelhosszabbító használata nem javasolt a lejátszáshoz, ugyanis az befolyásolja az audiojel-átvitelt és zajos hangot okozhat.
- b. A készülék csak akkor érzékeli és játssza le a zeneszámokat, ha az USB-eszköz vagy a microSD-kártya csatlakoztatva van.

### Bluetooth használata

A készülék Bluetooth funkciója lehetővé teszi, hogy Bluetooth eszközéről zenét játszhasson le valós idejű hangfolyam-továbbítással.

1. A „MODE” vagy az „M” gombbal válassza ki a Bluetooth üzemmódot. A hangszóróból hallható hangjelzés jelzi, ha sikeresen belépett a Bluetooth üzemmódba, és a készülék párosításra kész.
2. Kapcsolja be vagy engedélyezze a Bluetooth funkciót a Bluetooth funkcióval rendelkező eszközén (okostelefon stb. – ezzel kapcsolatban tájékozódjon az eszköz használati útmutatójából), és keressen elérhető Bluetooth-eszközöket.
3. Az elérhető Bluetooth-eszközök listáján válassza ki a „BP HR10BT” elemet a párosításhoz (ha az eszköz POP-jelszót kér, a „0000” számsort adja meg). A sikeres párosítást egy hangjelzés jelzi.
4. A zenét Bluetooth eszközén kell kiválasztania és lejátszania, a készülék pedig lejátszza a továbbított hangot.
5. A működtetéshez használhatja az „Előző” vagy „Következő”, illetve a lejátszás/szünet gombokat.
6. A Bluetooth-eszköz és a készülék közötti párosítás megszüntetéséhez tartsa lenyomva a lejátszás/szünet gombot 3 másodpercig. A készülék ekkor készen áll másik Bluetooth-eszközzel való párosításra.

**Hívásfogadás:** Ha Bluetooth üzemmódban bejövő hívása érkezik, a hívás fogadásához nyomja meg az előlapon lévő lejátszás/szünet gombot; a hívást a lejátszás/szünet gomb ismételt megnyomásával fejezheti be. A hangszóró textilborítása mögötti rácsba beszéljen, mivel a mikrofon a hangszóró rácsa mögött található.

### Megjegyzés:

- a. Nem biztos, hogy minden Bluetooth eszköz párosítható a készülékkel a különböző márkák és kivitelek miatt.
- b. A Bluetooth hatótávolsága 10 méter (akadályok nélkül).
- c. Ne tegye túl közel mobiltelefonját a készülékhez a kihangosító használatakor, ellenkező esetben interferencia léphet fel, amely negatív hatással van a vételi hangminőségre.

### AUX IN / MP3 Link üzemmód használata

A mellékelt 3,5–3,5 mm-es sztereo audiókábellel csatlakoztathat külső lejátszót (pl. MP3-lejátszó stb.) a készülék hátulján lévő AUX IN jack csatlakozóhoz. Ekkor a készülék közvetlenül AUX IN lejátszási üzemmódba lép. A zenét a lejátszón kell kiválasztania és lejátszania, a készülék pedig lejátsza a továbbított audiót. Felhívjuk figyelmét, hogy ilyen esetben a vezérlés a lejátszóról történik. AUX IN üzemmódban a rádió csak a hangerő-szabályozás és a lejátszás/szünet funkció használható.

### Műszaki adatok:

Aramforrás:	egyenáram, 5 V / 2 A
Kimeneti teljesítmény:	5 W RMS
FM-frekvencia:	87,5–108,0 MHz
USB töltési teljesítmény:	100 mA
Bluetooth verzió:	V4.0
Áramfogyasztás:	<8 W
Áramfogyasztás készenléti állapotban:	<0,7 W

### Gyári alapbeállítások:

Rendszeridő:	00:00, 2015.01.01.
Időformátum:	24 óras
Alvás funkció:	Kikapcsolva
Ébresztés időtartama:	2 perc
Hangerő:	15

(A műszaki adatok előzetes bejelentés nélkül változhatnak)

### Hibaelhárítás

1. A kijelző nem világít.
  - a. Ellenőrizze, hogy a DC tápellátást megfelelően csatlakoztatták-e.
  - b. Tartsa lenyomva a főkapcsoló gombot 3 másodpercig a készülék bekapcsolásához.
  - c. Ha a probléma továbbra is fennáll, forduljon a szervizközpontoz.
2. A rádióállomás hangja nem megfelelő.
  - a. Helyezze a készülék a lehető legközelebb az ablakhoz.
  - b. Próbáljon áthangolni egy másik állomásra.
  - c. Ha a probléma továbbra is fennáll, forduljon a szervizközpontoz.
3. A hang nem megfelelő USB vagy microSD-kártya üzemmódban.
  - a. Ellenőrizze, hogy az USB-eszközt és a microSD-kártyát megfelelően csatlakoztatták-e.
  - b. Kapcsolja ki és vissza a készüléket, majd próbálja meg újra a lejátszást.
  - c. Ha a probléma továbbra is fennáll, forduljon a szervizközpontoz.
4. A hang szakaszos Bluetooth üzemmódban.
  - a. Próbálja meg közelebb helyezni a Bluetooth eszközt a készülékhez.





Competence Centre Audio  
2N-Everpol Sp. z o.o.  
ul. Puławska 403A  
02-801 Warsaw, Poland  
phone: +48 22 331 99 59  
e-mail: [info@everpol.pl](mailto:info@everpol.pl)  
[www.blaupunkt.com](http://www.blaupunkt.com)

W przypadku pytań lub problemów  
prosimy o kontakt z naszym serwisem.  
In case of questions or problems  
please contact our service.  
Tel. 00 48 22 331 99 53  
E-mail: [info@blaupunkt-audio.pl](mailto:info@blaupunkt-audio.pl)

Wszelkie prawa zastrzeżone. Wszystkie nazwy marek są zarejestrowanymi  
znakami towarowymi należącymi do odpowiednich podmiotów.  
Dane i parametry techniczne mogą ulec zmianie bez wcześniejszego uprzedzenia.

All rights reserved. All brand names are registered trademarks of their  
respective owners. Specifications are subject to change without prior notice.

A solid dark blue horizontal bar spanning the width of the page, containing the slogan "Enjoy it." in white italicized font.

*Enjoy it.*