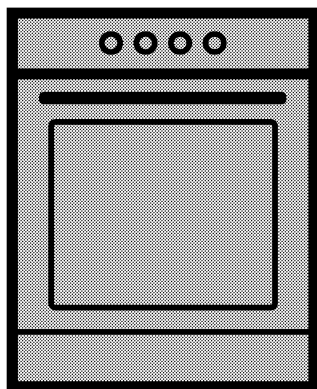


Oven

User manual



FSM52020DW

EN | CZ

485.3014.47/R.AA/18.01.2017/2-1

Please read this user manual first!

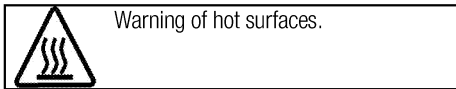
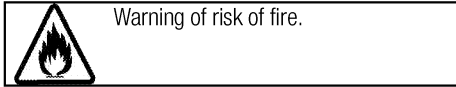
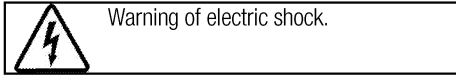
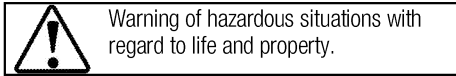
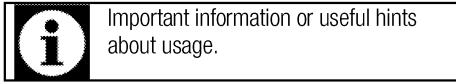
Dear Customer,

Thank you for purchasing this Beko product. We hope that you get the best results from your product which has been manufactured with high quality and state-of-the-art technology. Therefore, please read this entire user manual and all other accompanying documents carefully before using the product and keep it as a reference for future use. If you handover the product to someone else, give the user manual as well. Follow all warnings and information in the user manual.

Remember that this user manual is also applicable for several other models. Differences between models will be identified in the manual.

Explanation of symbols

Throughout this user manual the following symbols are used:



Arçelik A.Ş.

Karaağaç caddesi No:2-6
34445 Sütlüce/Istanbul/TURKEY

Made in TURKEY



This product was manufactured using the latest technology in environmentally friendly conditions.

TABLE OF CONTENTS

1 Important instructions and warnings for safety and environment 4

General safety	4
Safety when working with gas.....	4
Electrical safety	5
Product safety	6
Intended use	8
Safety for children.....	8
Disposing of the old product.....	9
Package information	9
Future Transportation.....	9

2 General information 10

Overview	10
Package contents	11
Technical specifications	12
Injector table	12

3 Installation 13

Before installation	13
Installation and connection	14
Gas conversion.....	15

4 Preparation 17

Tips for saving energy	17
Initial use.....	17
First cleaning of the appliance	17
Initial heating.....	17

5 How to use the hob 18

General information about cooking	18
Using the hobs.....	18

6 How to operate the oven 20

General information on baking, roasting and grilling.....	20
How to operate the electric oven	20
Operating modes.....	21
Cooking times table.....	22
How to operate the grill.....	23
Cooking times table for grilling.....	23

7 Maintenance and care 24

General information.....	24
Cleaning the hob.....	24
Cleaning the control panel	24
Cleaning the oven	24
Removing the oven door	25
Removing the door inner glass.....	25
Replacing the oven lamp.....	27

8 Troubleshooting 28

1 Important instructions and warnings for safety and environment

This section contains safety instructions that will help protect from risk of personal injury or property damage. Failure to follow these instructions shall void any warranty.

General safety

- This appliance can be used by children aged from 8 years and above and persons with reduced physical, sensory or mental capabilities or lack of experience and knowledge if they have been given supervision or instruction concerning use of the appliance in a safe way and understand the hazards involved.

Children shall not play with the appliance. Cleaning and user maintenance shall not be made by children without supervision.

- If the product is handed over to someone else for personal use or second-hand use purposes, the user manual, product labels and other relevant documents and parts should be also given.
- Never place the product on a carpet-covered floor. Otherwise, lack of airflow beneath the product will cause electrical parts to overheat. This will cause problems with your product.

- Installation and repair procedures must always be performed by Authorized Service Agents. The manufacturer shall not be held responsible for damages arising from procedures carried out by unauthorized persons which may also void the warranty. Before installation, read the instructions carefully.
- Do not operate the product if it is defective or has any visible damage.
- Ensure that the product function knobs are switched off after every use.

Safety when working with gas

- Any works on gas equipment and systems may only be carried out by authorised qualified persons who are Gas Safe registered.
- Prior to the installation, ensure that the local distribution conditions (nature of the gas and gas pressure) and the adjustment of the appliance are compatible.
- This appliance is not connected to a combustion products or evacuation device. It shall be installed and connected in accordance with current installation regulations. Particular attention shall be given to the

relevant requirements regarding ventilation; See *Before installation*, page 13

- The use of gas cooking appliance results in the production of heat and moisture in the room in which it is installed. Ensure that the kitchen is well ventilated: keep natural ventilation holes open or install a mechanical ventilation device (mechanical extractor hood). Prolonged intensive use of the appliance may call for additional ventilation, for example increasing the level of the mechanical ventilation where present.
- Gas appliances and systems must be regularly checked for proper functioning. Regulator, hose and its clamp must be checked regularly and replaced within the periods recommended by its manufacturer or when necessary.
- Clean the gas burners regularly. The flames should be blue and burn evenly.
- Good combustion is required in gas appliances. In case of incomplete combustion, carbon monoxide (CO) might develop. Carbon monoxide is a colourless, odourless and very toxic gas, which has a lethal effect even in very small doses.

- Request information about gas emergency telephone numbers and safety measures in case of gas smell from you local gas provider.

What to do when you smell gas

- Do not use open flame or do not smoke. Do not operate any electrical buttons (e.g. lamp button, door bell and etc.) Do not use fixed or mobile phones. Risk of explosion and toxication!
- Open doors and windows.
- Turn off all valves on gas appliances and gas meter at the main control valve, unless it's in a confined space or cellar.
- Check all tubes and connections for tightness. If you still smell gas leave the property.
- Warn the neighbours.
- Call the fire-brigade. Use a telephone outside the house.
- Do not re-enter the property until you are told it is safe to do so.

Electrical safety

- If the product has a failure, it should not be operated unless it is repaired by an Authorized Service Agent. There is the risk of electric shock!
- Only connect the product to a grounded outlet/line with the voltage and protection as specified in the "Technical specifications". Have the

grounding installation made by a qualified electrician while using the product with or without a transformer. Our company shall not be liable for any problems arising due to the product not being earthed in accordance with the local regulations.

- Never wash the product by spreading or pouring water onto it! There is the risk of electric shock!
- Never touch the plug with wet hands! Never unplug by pulling on the cable, always pull out by holding the plug.
- The product must be disconnected during installation, maintenance, cleaning and repairing procedures.
- If the power connection cable for the product is damaged, it must be replaced by the manufacturer, its service agent or similarly qualified persons in order to avoid a hazard.
- The appliance must be installed so that it can be completely disconnected from the mains supply. The separation must be provided by a switch built into the fixed electrical installation, according to construction regulations.
- Rear surface of the oven gets hot when it is in use. Make sure that the gas/electrical connection does

not contact the rear surface; otherwise, connections can get damaged.

- Do not trap the mains cable between the oven door and frame and do not route it over hot surfaces. Otherwise, cable insulation may melt and cause fire as a result of short circuit.
- Any work on electrical equipment and systems should only be carried out by authorized and qualified persons.
- In case of any damage, switch off the product and disconnect it from the mains. To do this, turn off the fuse at home.
- Make sure that fuse rating is compatible with the product.

Product safety

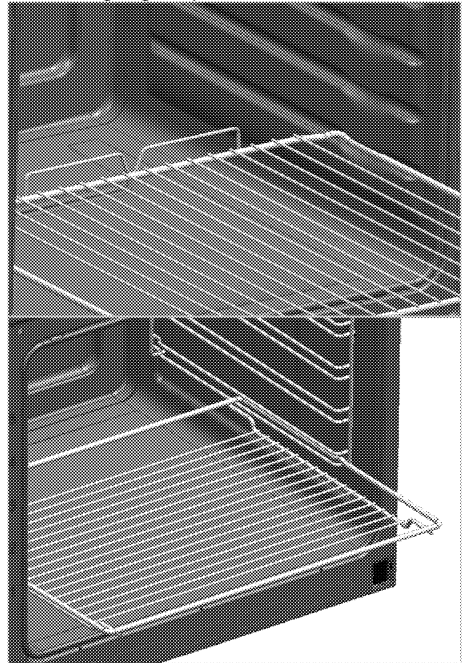
- The appliance and its accessible parts become hot during use. Care should be taken to avoid touching heating elements. Children less than 8 years of age shall be kept away unless continuously supervised.
- Never use the product when your judgment or coordination is impaired by the use of alcohol and/or drugs.
- Be careful when using alcoholic drinks in your dishes. Alcohol evaporates at high temperatures and may cause fire since it can

ignite when it comes into contact with hot surfaces.

- Food Poisoning Hazard: Do not let food sit in oven for more than 1 hour before or after cooking. Doing so can result in food poisoning or sickness.
- Do not place any flammable materials close to the product as the sides may become hot during use.
- During use the appliance becomes hot. Care should be taken to avoid touching heating elements inside the oven.
- Keep all ventilation slots clear of obstructions.
- Do not heat closed tins and glass jars in the oven. The pressure that would build-up in the tin/jar may cause it to burst.
- Do not place baking trays, dishes or aluminium foil directly onto the bottom of the oven. The heat accumulation might damage the bottom of the oven.
- Do not use harsh abrasive cleaners or sharp metal scrapers to clean the oven door glass since they can scratch the surface, which may result in shattering of the glass.
- Do not use steam cleaners to clean the appliance as this may cause an electric shock.

- (Varies depending on the product model.)

Placing the wire shelf and tray onto the wire racks properly. It is important to place the wire shelf and/or tray onto the rack properly. Slide the wire shelf or tray between 2 rails and make sure that it is balanced before placing food on it (Please see the following figure).



- Do not use the product if the front door glass removed or cracked.
- Do not use the oven handle to hang towels for drying. Do not hang up towel, gloves, or similar textile products when the grill function is at open door.

- Always use heat resistant oven gloves when putting in or removing dishes into/from the hot oven.
- Place the baking paper into the cooking pot or on to the oven accessory (tray, wire grill etc) together with the food and then insert all into the preheated oven. Remove the excess parts of the baking paper overflowing from the accessory or the pot in order to prevent the risk of touching the oven's heating elements. Never use the baking paper in an operating temperature higher than the indicated value for the baking paper. Do not place the baking paper directly on the base of the oven.
- Ensure that the appliance is disconnected from mains before replacing the lamp to avoid the possibility of electric shock.
- Unattended cooking on a hob with fat or oil can be dangerous and may result in fire. NEVER try to extinguish a fire with water, but switch off the appliance and then cover flame e.g. with a lid or a fire blanket.
- Danger of fire: Do not store items on the cooking surfaces.

Prevention against possible fire risk!

- Ensure all electrical connections are secure and tight to prevent risk of arcing.
- Do not use damaged cables or extension cables.
- Ensure liquid or moisture is not accessible to the electrical connection point.
- To prevent gas leakage ensure that the gas connection is sound.

Intended use

- This product is designed for domestic use. Commercial use will void the guarantee.
- This appliance is for cooking purposes only. It must not be used for other purposes, for example room heating.
- This product should not be used for warming the plates under the grill, drying towels, dish cloths etc. by hanging them on the oven door handles. This product should also not be used for room heating purposes.
- The manufacturer shall not be liable for any damage caused by improper use or handling errors.
- The oven can be used for defrosting, baking, roasting and grilling food.

Safety for children

- Accessible parts may become hot during use. Young children should be kept away.

- The packaging materials will be dangerous for children. Keep the packaging materials away from children. Please dispose of all parts of the packaging according to environmental standards.
- Electrical and/or gas products are dangerous to children. Keep children away from the product when it is operating and do not allow them to play with the product.
- Do not place any items above the appliance that children may reach for.
- When the door is open, do not load any heavy object on it and do not allow children to sit on it. It may overturn or door hinges may get damaged.

Disposing of the old product

Compliance with the WEEE Directive and Disposing of the Waste Product:



This product complies with EU WEEE Directive (2012/19/EU). This product bears a classification symbol for waste electrical and electronic equipment (WEEE).

This product has been manufactured with high quality parts and materials which can be reused and are suitable for recycling. Do not dispose of the waste product with normal domestic and other wastes at the

end of its service life. Take it to the collection center for the recycling of electrical and electronic equipment. Please consult your local authorities to learn about these collection centers.

Compliance with RoHS Directive:

The product you have purchased complies with EU RoHS Directive (2011/65/EU). It does not contain harmful and prohibited materials specified in the Directive.

Package information

- Packaging materials of the product are manufactured from recyclable materials in accordance with our National Environment Regulations. Do not dispose of the packaging materials together with the domestic or other wastes. Take them to the packaging material collection points designated by the local authorities.

Future Transportation

- Keep the product's original carton and transport the product in it. Follow the instructions on the carton. If you do not have the original carton, pack the product in bubble wrap or thick cardboard and tape it securely.
- To prevent the wire grill and tray inside the oven from damaging the oven door, place a strip of cardboard onto the inside of the oven door that lines up with the position of the trays. Tape the oven door to the side walls.
- Secure the caps and pan supports with adhesive tape.
- Do not use the door or handle to lift or move the product.



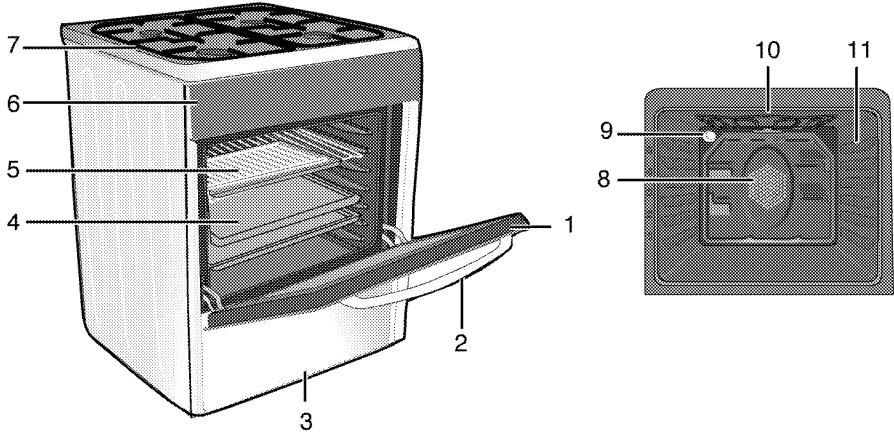
Do not place any objects onto the product and move it in upright position.



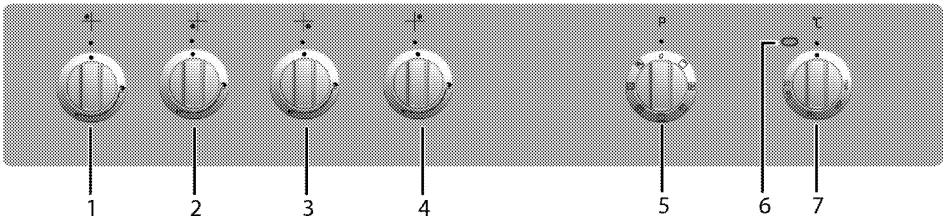
Check the general appearance of your product for any damages that might have occurred during transportation.

2 General information

Overview



- | | | | |
|---|---------------|----|--------------------------------|
| 1 | Front door | 7 | Burner plate |
| 2 | Handle | 8 | Fan motor (behind steel plate) |
| 3 | Lower part | 9 | Lamp |
| 4 | Tray | 10 | Grill heating element |
| 5 | Wire shelf | 11 | Shelf positions |
| 6 | Control panel | | |



- | | |
|---|------------------------------|
| 1 | Normal burner Rear left |
| 2 | Rapid burner Front left |
| 3 | Auxiliary burner Front right |
| 4 | Normal burner Rear right |
| 5 | Function knob |
| 6 | Thermostat lamp |
| 7 | Thermostat knob |

Package contents

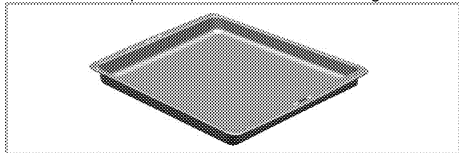


Accessories supplied can vary depending on the product model. Not every accessory described in the user manual may exist on your product.

1. **User manual**

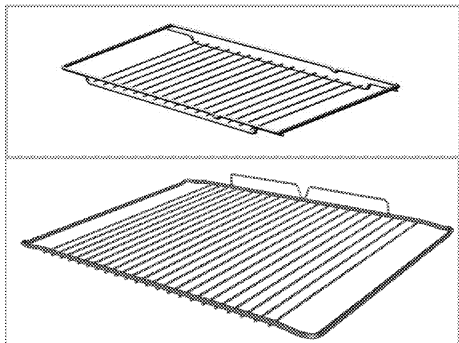
2. **Oven tray**

Used for pastries, frozen foods and big roasts.



3. **Wire Shelf**

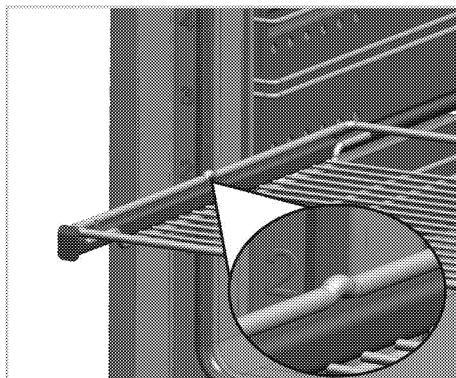
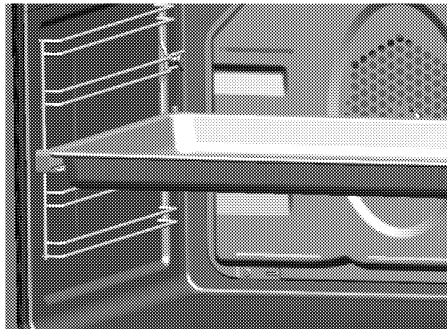
Used for roasting and for placing the food to be baked, roasted or cooked in casserole dishes to the desired rack.



4. **Placing the wire shelf and tray onto the telescopic racks properly**
(This feature is optional. It may not exist on your product.)

Telescopic racks allow you to install and remove the trays and wire shelf easily.

When using the tray and wire shelf with telescopic racks, make sure that the pins at the rear section of the telescopic rack stands against the edges of the wire shelf and tray.



5. **Coffee pot adaptor**



Used for coffe pots.

Technical specifications

GENERAL	
External dimensions (height / width / depth)	850 mm/500 mm/600 mm
Voltage / frequency	220-240 V ~ 50 Hz
Total power consumption	2.0 kW
Fuse	10 A
Cable type / section	min.H05W-FG 3 x 1 mm ²
Category of gas product	Cat II 2H3+ / Cat II 2H3B/P
Gas type / pressure	NG G 20/20 mbar
Total gas consumption	7.9 kW
Converting the gas type / pressure [§]	LPG 30/28-30 mbar
– optional	Propane 31/37 mbar
HOB	
Burners	
Rear left	Normal burner
Power	2kW
Front left	Rapid burner
Power	2.9 kW
Front right	Auxiliary burner
Power	1 kW
Rear right	Normal burner
Power	2 kW
OVEN/GRILL	
Main oven	Multifunction oven
Inner lamp	15–25 W
Grill power consumption	1.6 kW

[#] Basics: Information on the energy label of electrical ovens is given in accordance with the EN 60350-1 / IEC 60350-1 standard. Those values are determined under standard load with bottom-top heater or fan assisted heating (if any) functions.

Energy efficiency class is determined in accordance with the following prioritization depending on whether the relevant functions exist on the product or not. 1-Cooking with eco-fan, 2- Turbo slow cooking, 3- Turbo cooking, 4- Fan assisted bottom/top heating, 5-Top and bottom heating.



Technical specifications may be changed without prior notice to improve the quality of the product.



Figures in this manual are schematic and may not exactly match your product.



Values stated on the product labels or in the documentation accompanying it are obtained in laboratory conditions in accordance with relevant standards. Depending on operational and environmental conditions of the product, these values may vary.

Injector table

Position hob zone Gas type / Gas pressure	2kW Rear left	2.9 kW Front left	1 kW Front right	2 kW Rear right
G 20/20 mbar	103	115	72	103
G 30/28-30 mbar	72	87	50	72
G 31/ 37 mbar	72	87	50	72

3 Installation

Product must be installed by a qualified person in accordance with the regulations in force. The manufacturer shall not be held responsible for damages arising from procedures carried out by unauthorized persons which may also void the warranty.



Preparation of location and electrical and gas installation for the product is under customer's responsibility.



DANGER:

The product must be installed in accordance with all local gas and/or electrical regulations.



DANGER:

Prior to installation, visually check if the product has any defects on it. If so, do not have it installed.

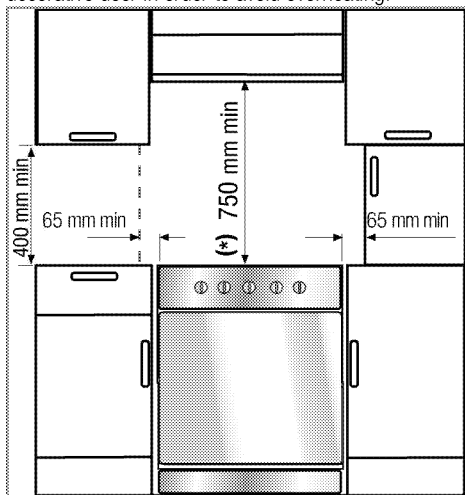
Damaged products cause risks for your safety.

Before installation

To ensure that critical air gaps are maintained under the appliance, we recommend that this appliance is mounted on a solid base and that the feet do not sink into any carpet or soft flooring.

The kitchen floor must be able to carry the weight of the appliance plus the additional weight of cookware and bakeware and food.

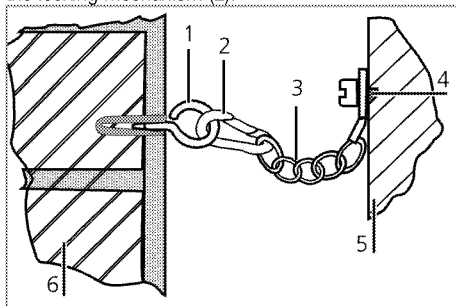
If the range is placed on a base, measures have to be taken to prevent the appliance slipping from the base. The appliances must not be installed behind a decorative door in order to avoid overheating.



- It can be used with cabinets on either side but in order to have a minimum distance of 400mm above hotplate level allow a side clearance of 65mm between the appliance and any wall, partition or tall cupboard.
- It can also be used in a free standing position. Allow a minimum distance of 750 mm above the hob surface.
- (*) If a cooker hood is to be installed above the cooker, refer to cooker hood manufacturer' instructions regarding installation height (min 650 mm).
- The appliance corresponds to device class 1, i.e. it may be placed with the rear and **one** side to kitchen walls, kitchen furniture or equipment of any size. The kitchen furniture or equipment on the **other** side may only be of the same size or smaller.
- Any kitchen furniture next to the appliance must be heat-resistant (100 °C min.).

Safety chain

The appliance must be secured against overbalancing by using the supplied two safety chains on your oven. Fasten hook (1) by using a proper peg to the kitchen wall (6) and connect safety chain (3) to the hook via the locking mechanism (2).



- 1 Stability hook
- 2 Locking mechanism
- 3 Safety chain (supplied and mounted to oven)
- 4 Firmly fix chain to cooker rear
- 5 Rear of cooker
- 6 Kitchen wall



Stability chain to be as short as practicable to avoid oven tilting forward and diagonal to avoid oven side tilting.

Cooker stability chain for cookers not designed with bracket engagement slot.

Room ventilation

All rooms require an openable window, or equivalent, and some rooms will require a permanent vent as well. The air for combustion is taken from the room air and the exhaust gases are emitted directly into the room. Good room ventilation is essential for safe operation of your appliance. If there is no window or door available for room ventilation, an extra ventilation must be installed.

The appliance may be located in a kitchen, kitchen/diner or a bed-sitting room, but not in a room containing a bath or shower. The appliance must not be installed in a bed-sitting room of less than 20m³. Do not install this appliance in a room below ground level unless it is open to ground level on at least one side.

Room size	Ventilation opening
smaller than 5 m ³	min. 100 cm ²
5 m ³ to 10 m ³	min. 50 cm ²
greater than 10 m ³	not required
In the cellar or basement	min. 65 cm ²

Installation and connection

Product can only be installed and connected in accordance with the statutory installation rules.



Do not install the product next to refrigerators or freezers. The heat emitted by the product will increase the energy consumption of cooling appliances.

- Carry the product with at least two persons.
- Product must be placed directly on the floor. It must not be placed onto a base or a pedestal.



Do not use the door and/or handle to carry or move the product. The door, handle or hinges get damaged.

Electrical connection

Connect the product to a grounded outlet/line protected by a fuse of suitable capacity as stated in the "Technical specifications" table. Have the grounding installation made by a qualified electrician while using the product with or without a transformer. Our company shall not be liable for any damages that will arise due to using the product without a grounding installation in accordance with the local regulations.



DANGER:

The product must be connected to the mains supply only by an authorised and qualified person. The product's warranty period starts only after correct installation. Manufacturer shall not be held responsible for damages arising from procedures carried out by unauthorised persons.



DANGER:

The power cable must not be clamped, bent or trapped or come into contact with hot parts of the product. A damaged power cable must be replaced by a qualified electrician. Otherwise, there is risk of electric shock, short circuit or fire!

The mains supply data must correspond to the data specified on the type label of the product. The rating plate is either seen when the door or the lower cover is opened or it is located at the rear wall of the unit depending on the unit type. Power cable of your product must comply with the values in "Technical specifications" table.



Power cable plug must be within easy reach after installation (do not route it above the hob).



DANGER:

Before starting any work on the electrical installation, disconnect the product from the mains supply. There is the risk of electric shock!

Connect the power cable into the socket.

Gas connection



DANGER:

Product can be connected to gas supply system only by an authorised and qualified person or technician with licence. Risk of explosion or toxication due to unprofessional repairs! Manufacturer shall not be held responsible for damages arising from procedures carried out by unauthorised or unlicensed persons.



DANGER:

Before starting any work on the gas installation, disconnect the gas supply. There is the risk of explosion!

- Gas adjustment conditions and values are stated on labels (or ion type label).



Your product is equipped for natural gas (NG).

- Natural gas installation must be prepared before installing the product.
- There must be a pipe (Piping advised to be bought from a licensed installer), must comply with local gas standard, at the outlet of the installation for the natural gas connection of your product and the tip of this pipe must be closed with a blind plug. Service Representative will remove the blind plug during connection and connect your product by means of a straight connection device (coupling).
- Make sure that the natural gas valve is readily accessible.
- If you need to use your product later with a different type of gas, you must consult the Authorised Service Agent for the related conversion procedure.



DANGER:

The gas hose must not be clamped, bent or trapped or come into contact with hot parts of the product.

There is the risk of explosion due to damaged gas hose.

- Push the product towards the kitchen wall.
- **Adjusting the feet of oven**
Vibrations during use may cause cooking vessels to move. This dangerous situation can be avoided if the product is level and balanced. For your own safety please ensure the product is level by adjusting the four feet at the bottom by turning left or right and align level with the work top.

Final check

1. Check electrical functions.
2. Open gas supply.
3. Check gas installations for secure fitting and tightness.
4. Ignite burners and check appearance of the flame.



Flame must be blue and have a regular shape. If the flame is yellowish, check if the burner cap is seated securely or clean the burner.

Gas conversion



DANGER:

Before starting any work on the gas installation, disconnect the gas supply. There is the risk of explosion!

In order to change your appliance's gas type, change all injectors and make flame adjustment for all valves at reduced flow rate position.

Exchange of injector for the burners

1. Take off burner cap and burner body.
2. Unscrew injectors by turning the counter-clockwise.
3. Fit new injectors.
4. Check all connections for secure fitting and tightness.

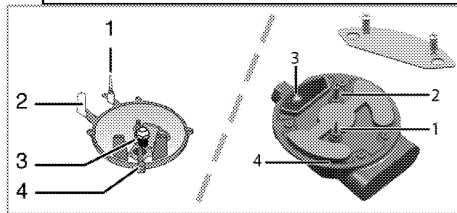


New injectors have their position marked on their packing or injector table on *Injector table, page 12* can be referred to.



((Varies depending on the product model.))

On some hob burners, the injector is covered with a metal piece. This metal cover must be removed for injector replacement.



- 1 Flame failure device (model dependant)
- 2 Spark plug
- 3 Injector
- 4 Burner



Unless there is an abnormal condition, do not attempt to remove the gas burner taps. You must call an Authorised service agent or technician with licence if it is necessary to change the taps.

Reduced gas flow rate setting for hob taps

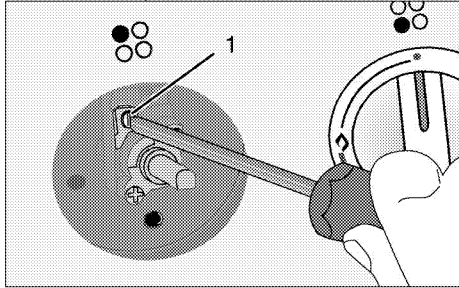
1. Ignite the burner that is to be adjusted and turn the knob to the reduced position.
2. Remove the knob from the gas tap.
3. Use an appropriately sized screwdriver to adjust the flow rate adjustment screw.

For LPG (Butane - Propane) turn the screw clockwise. For the natural gas, you should turn the screw **counter-clockwise** once.

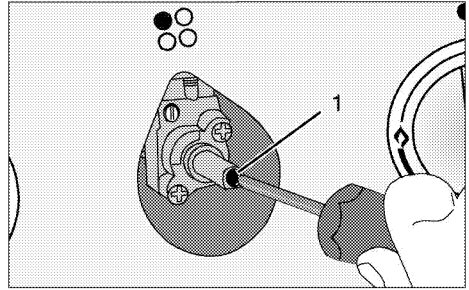
» The normal length of a straight flame in the reduced position should be 6-7 mm.

4. If the flame is higher than the desired position, turn the screw clockwise. If it is smaller turn anticlockwise.
5. For the last control, bring the burner both to high-flame and reduced positions and check whether the flame is on or off.

Depending on the type of gas tap used in your appliance the adjustment screw position may vary.



1 Flow rate adjustment screw



1 Flow rate adjustment screw

i If the gas type of the unit is changed, then the rating plate that shows the gas type of the unit must also be changed.

4 Preparation

Tips for saving energy

The following information will help you to use your appliance in an ecological way, and to save energy:

- Use dark coloured or enamel coated cookware in the oven since the heat transmission will be better.
- While cooking your dishes, perform a preheating operation if it is advised in the user manual or cooking instructions.
- Do not open the door of the oven frequently during cooking.
- Try to cook more than one dish in the oven at the same time whenever possible. You can cook by placing two cooking vessels onto the wire shelf.
- Cook more than one dish one after another. The oven will already be hot.
- You can save energy by switching off your oven a few minutes before the end of the cooking time. Do not open the oven door.
- Defrost frozen dishes before cooking them.
- Use pots/pans with cover for cooking. If there is no cover, energy consumption may increase 4 times.
- Select the burner which is suitable for the bottom size of the pot to be used. Always select the correct pot size for your dishes. Larger pots require more energy.

Initial use

First cleaning of the appliance



The surface might get damaged by some detergents or cleaning materials.

Do not use aggressive detergents, cleaning powders/creams or any sharp objects during cleaning.

Do not use harsh abrasive cleaners or sharp metal scrapers to clean the oven door glass since they can scratch the surface, which may result in shattering of the glass.

1. Remove all packaging materials.

2. Wipe the surfaces of the appliance with a damp cloth or sponge and dry with a cloth.

Initial heating

Heat up the product for about 30 minutes and then switch it off. Thus, any production residues or layers will be burnt off and removed.



WARNING

Hot surfaces cause burns!

Product may be hot when it is in use. Never touch the hot burners, inner sections of the oven, heaters and etc. Keep children away. Always use heat resistant oven gloves when putting in or removing dishes into/from the hot oven.

Electric oven

1. Take all baking trays and the wire grill out of the oven.
2. Close the oven door.
3. Select Static position.
4. Select the highest oven power; See *How to operate the electric oven, page 20*.
5. Operate the oven for about 30 minutes.
6. Turn off your oven; See *How to operate the electric oven, page 20*

Grill oven

1. Take all baking trays and the wire grill out of the oven.
2. Close the oven door.
3. Select the highest grill power; see *How to operate the grill, page 23*.
4. Operate the grill about 30 minutes.
5. Turn off your grill; see *How to operate the grill, page 23*



Smoke and smell may emit for a couple of hours during the initial operation. This is quite normal. Ensure that the room is well ventilated to remove the smoke and smell. Avoid directly inhaling the smoke and the smell that emits.

5 How to use the hob

General information about cooking



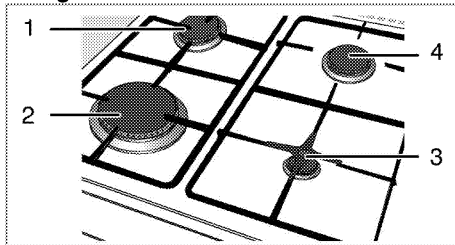
Never fill the pan with oil more than one third of it. Do not leave the hob unattended when heating oil. Overheated oils bring risk of fire. **Never attempt to extinguish a possible fire with water!** When oil catches fire, cover it with a fire blanket or damp cloth. Turn off the hob if it is safe to do so and call the fire department.

- Before frying foods, always dry them well and gently place into the hot oil. Ensure complete thawing of frozen foods before frying.
- Do not cover the vessel you use when heating oil.
- Place the pans and saucepans in a manner so that their handles are not over the hob to prevent heating of the handles. Do not place unbalanced and easily tilting vessels on the hob.
- Do not place empty vessels and saucepans on cooking zones that are switched on. They might get damaged.
- Operating a cooking zone without a vessel or saucepan on it will cause damage to the product. Turn off the cooking zones after the cooking is complete.
- As the surface of the product can be hot, do not put plastic and aluminum vessels on it. Such vessels should not be used to keep foods either.
- Use flat bottomed saucepans or vessels only.
- Put appropriate amount of food in saucepans and pans. Thus, you will not have to make any unnecessary cleaning by preventing the dishes from overflowing.
Do not put covers of saucepans or pans on cooking zones.
Place the saucepans in a manner so that they are centered on the cooking zone. When you want to move the saucepan onto another cooking zone, lift and place it onto the cooking zone you want instead of sliding it.

Gas cooking

- Size of the vessel and the flame must match each other. Adjust the gas flames so that they will not extend the bottom of the vessel and center the vessel on saucepan carrier.

Using the hobs



- 1 Normal burner 18-20 cm
- 2 Rapid burner 22-24 cm
- 3 Auxiliary burner 12-18 cm
- 4 Normal burner 18-20 cm is list of advised diameter of pots to be used on related burners.

Large flame symbol indicates the highest cooking power and small flame symbol indicates the lowest cooking symbol. In turned off position (top), gas is not supplied to the burners.

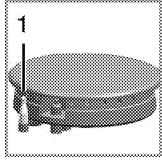
Igniting the gas burners

1. Keep burner knob pressed.
2. Turn it counter clockwise to large flame symbol.
» Gas is ignited with the spark created.
3. Adjust it to the desired cooking power.

Turning off the gas burners

Turn the keep warm zone knob to off (upper) position.

Gas shut off safety system (in models with thermic component)



1. Gas shut off safety

As a counter measure against blow out due to fluid overflows at burners, safety mechanism trips and shuts off the gas.

- Push the knob inwards and turn it counter clockwise to ignite.
- After the gas ignites, keep the knob pressed for 3-5 seconds more to engage the safety system.
- If the gas does not ignite after you press and release the knob, repeat the same procedure by keeping the knob pressed for 15 seconds.



DANGER:

Release the button if the burner is not ignited within 15 seconds.

Wait at least 1 minute before trying again.

There is the risk of gas accumulation and explosion!

6 How to operate the oven

General information on baking, roasting and grilling



WARNING

Hot surfaces cause burns!
Product may be hot when it is in use. Never touch the hot burners, inner sections of the oven, heaters and etc. Keep children away. Always use heat resistant oven gloves when putting in or removing dishes into/from the hot oven.



DANGER:

Be careful when opening the oven door as steam may escape.
Exiting steam can scald your hands, face and/or eyes.

Tips for baking

- Use non-sticky coated appropriate metal plates or aluminum vessels or heat-resistant silicone moulds.
- Make best use of the space on the rack.
- Place the baking mould in the middle of the shelf.
- Select the correct rack position before turning the oven or grill on. Do not change the rack position when the oven is hot.
- Keep the oven door closed.

Tips for roasting

- Treating whole chicken, turkey and large piece of meat with dressings such as lemon juice and black pepper before cooking will increase the cooking performance.
- It takes about 15 to 30 minutes longer to roast meat with bones when compared to roasting the same size of meat without bones.
- Each centimeter of meat thickness requires approximately 4 to 5 minutes of cooking time.
- Let meat rest in the oven for about 10 minutes after the cooking time is over. The juice is better distributed all over the roast and does not run out when the meat is cut.
- Fish should be placed on the middle or lower rack in a heat-resistant plate.

Tips for grilling

When meat, fish and poultry are grilled, they quickly get brown, have a nice crust and do not get dry. Flat pieces, meat skewers and sausages are particularly suited for grilling as are vegetables with high water content such as tomatoes and onions.

- Distribute the pieces to be grilled on the wire shelf or in the baking tray with wire shelf in such a way that the space covered does not exceed the size of the heater.
- Slide the wire shelf or baking tray with grill into the desired level in the oven. If you are grilling on the wire shelf, slide the baking tray to the lower rack to collect fats. Add some water in the tray for easy cleaning.

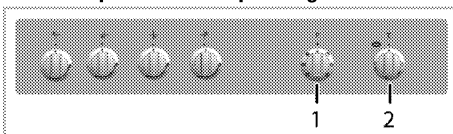


Foods that are not suitable for grilling carry the risk of fire. Only grill food which is suitable for intensive grilling heat.

Do not place the food too far in the back of the grill. This is the hottest area and fatty food may catch fire.

How to operate the electric oven

Select temperature and operating mode



1 Function knob

2 Thermostat knob

1. Set the Function knob to the desired operating mode.
2. Set the Temperature knob to the desired temperature.

» Oven heats up to the adjusted temperature and maintains it. During heating, temperature lamp stays on.

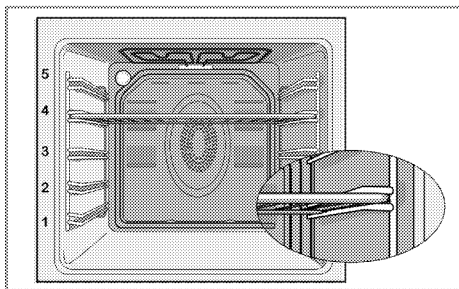
Switching off the electric oven

Turn the function knob and temperature knob to off (upper) position.

Rack positions (For models with wire shelf)

It is important to place the wire shelf onto the side rack correctly. Wire shelf must be inserted between the side racks as illustrated in the figure.

Do not let the wire shelf stand against the rear wall of the oven. Slide your wire shelf to the front section of the rack and settle it with the help of the door in order to obtain a good grill performance.



Operating modes

The order of operating modes shown here may be different from the arrangement on your product.

Top and bottom heating



Top and bottom heating are in operation. Food is heated simultaneously from the top and bottom. For example, it is suitable for cakes, pastries, or cakes and casseroles in baking moulds. Cook with one tray only.

Fan supported bottom/top heating



Top heating, bottom heating plus fan (in the rear wall) are in operation. Hot air is evenly distributed throughout the oven rapidly by means of the fan. Cook with one tray only.

Fan assisted top heating



Top heating and the fan (in the rear wall) are in operation. Hot air is distributed better with fan when compared to the situation where only top heating is in operation.

Fan assisted bottom heating



Bottom heating and the fan (in the rear wall) are in operation. Hot air is distributed better with fan when compared to the situation where only bottom heating is in operation.



This function must be used for easy steam cleaning as well.

Operating with fan



The oven is not heated. Only the fan (in the rear wall) is in operation. Suitable for thawing frozen granular food slowly at room temperature and cooling down the cooked food.

Fan Heating



Warm air heated by the rear heater is evenly distributed throughout the oven rapidly by means of the fan. It is suitable for cooking your meals in different rack levels and preheating is not required in most cases. Suitable for cooking with multi trays. This function must be used for easy steam cleaning as well.



Full grill



Large grill at the ceiling of the oven is in operation. It is suitable for grilling large amount of meat.

- Put big or medium-sized portions in correct rack position under the grill heater for grilling.
- Set the temperature to maximum level.
- Turn the food after half of the grilling time.

Baking and roasting



1st rack of the oven is the **bottom** rack.

Cooking times table



The timings in this chart are meant as a guide. Timings may vary due to temperature of food, thickness, type and your own preference of cooking.

Dish	Cooking level number		Rack position	Temperature (°C)	Cooking time (approx. in min.)
Cakes in tray*	One level		3	175	30 ... 45
Cakes in mould*	One level		2	175	30 ... 50
Cakes in cooking paper*	One level		3	160 ... 170	25 ... 30
Sponge cake*	One level		3	180 ... 200	10 ... 20
Cookies*	One level		3	160 ... 170	20 ... 30
Dough pastry*	One level		3	200	20 ... 30
Rich pastry*	One level		3	190	20 ... 35
Leaven*	One level		3	190	20 ... 40
Lasagna*	One level		2	180	25 ... 45
Pizza*	One level		1	200	10 ... 20
Beef steak (whole) / Roast	One level		2	25 min. 220, then 180 ... 190	80 ... 100
Leg of Lamb (casserole)	One level		2	25 min. 220, then 190	70 ... 90
Roasted chicken	One level		2	15 min. 250/max. then 190	55 ... 65
Turkey (Sliced)	One level		3	25 min. 220, then 190	70 ... 120
Fish	One level		3	200	20 ... 30

When cooking with 2 trays at the same time, place the deeper tray on the upper rack and the other one on the lower rack.
* It is suggested to perform preheating for all foods.

(**) In a cooking that requires preheating, preheat at the beginning of cooking until the thermostat lamp turns off.

Tips for baking cake

- If the cake is too dry, increase the temperature by 10°C and decrease the cooking time.
- If the cake is wet, use less liquid or lower the temperature by 10°C.
- If the cake is too dark on top, place it on a lower rack, lower the temperature and increase the cooking time.
- If cooked well on the inside but sticky on the outside use less liquid, lower the temperature and increase the cooking time.

Tips for baking pastry

- If the pastry is too dry, increase the temperature by 10°C and decrease the cooking time. Dampen the layers of dough with a sauce composed of milk, oil, egg and yoghurt.
- If the pastry takes too long to bake, pay care that the thickness of the pastry you have prepared does not exceed the depth of the tray.
- If the upper side of the pastry gets browned, but the lower part is not cooked, make sure that the amount of sauce you have used for the pastry is not too much at the bottom of the pastry. Try to scatter the sauce equally between the dough

layers and on the top of pastry for an even browning.



Cook the pastry in accordance with the mode and temperature given in the cooking table. If the bottom part is still not browned enough, place it on one lower rack next time.

Tips for cooking vegetables

- If the vegetable dish runs out of juice and gets too dry, cook it in a pan with a lid instead of a tray. Closed vessels will preserve the juice of the dish.
- If a vegetable dish does not get cooked, boil the vegetables beforehand or prepare them like canned food and put in the oven.

How to operate the grill



WARNING

Close oven door during grilling.
Hot surfaces may cause burns!

Switching on the grill

1. Turn the Function knob to the desired grill symbol.
 2. Then, select the desired grilling temperature.
 3. If required, perform a preheating of about 5 minutes.
- » Temperature light turns on.

Switching off the grill

1. Turn the Function knob to Off (top) position.



Foods that are not suitable for grilling carry the risk of fire. Only grill food which is suitable for intensive grilling heat.

Do not place the food too far in the back of the grill. This is the hottest area and fatty food may catch fire.

Cooking times table for grilling

Grilling with electric grill

Food	Insertion level	Grilling time (approx.)
Fish	4..5	20..25 min. #
Sliced chicken	4..5	25..35 min.
Lamb chops	4..5	20..25 min.
Roast beef	4..5	25..30 min. #
Veal chops	4..5	25..30 min. #
Toast bread	4	1..2 min.
# depending on thickness		

7 Maintenance and care

General information

Service life of the product will extend and the possibility of problems will decrease if the product is cleaned at regular intervals.



DANGER:

Disconnect the product from mains supply before starting maintenance and cleaning works.

There is the risk of electric shock!



DANGER:

Allow the product to cool down before you clean it.

Hot surfaces may cause burns!

- Clean the product thoroughly after each use. In this way it will be possible to remove cooking residues more easily, thus avoiding these from burning the next time the appliance is used.
- No special cleaning agents are required for cleaning the product. Use warm water with washing liquid, a soft cloth or sponge to clean the product and wipe it with a dry cloth.
- Always ensure any excess liquid is thoroughly wiped off after cleaning and any spillage is immediately wiped dry.
- Do not use cleaning agents that contain acid or chloride to clean the stainless or inox surfaces and the handle. Use a soft cloth with a liquid detergent (not abrasive) to wipe those parts clean, paying attention to sweep in one direction.



The surface might get damaged by some detergents or cleaning materials.

Do not use aggressive detergents, cleaning powders/creams or any sharp objects during cleaning.

Do not use harsh abrasive cleaners or sharp metal scrapers to clean the oven door glass since they can scratch the surface, which may result in shattering of the glass.



Do not use steam cleaners to clean the appliance as this may cause an electric shock.

Cleaning the hob

Gas hobs

1. Remove and clean the saucepan carriers and burner caps.
2. Clean the hob.

3. Install the burner caps and make sure that they are seated correctly.
4. When installing the upper grills, pay attention to place the saucepan carriers so that the burners are centered.

Cleaning the control panel

Clean the control panel and knobs with a damp cloth and wipe them dry.



Do not remove the control buttons/knobs to clean the control panel.

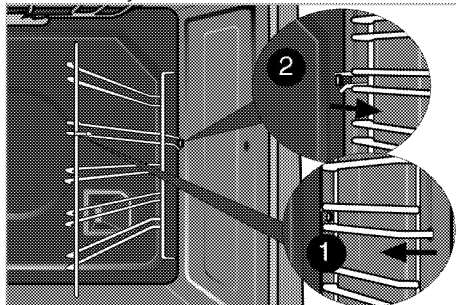
Control panel may get damaged!

Cleaning the oven

To clean the side wall

(This feature is optional. It may not exist on your product.)

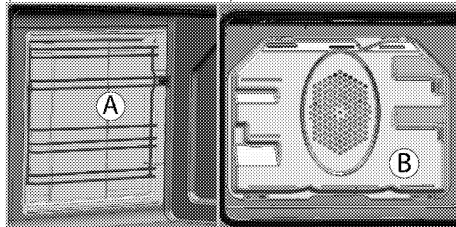
1. Remove the front section of the side rack by pulling it in the opposite direction of the side wall.
2. Remove the side rack completely by pulling it towards you.



Catalytic walls

(This feature is optional. It may not exist on your product.)

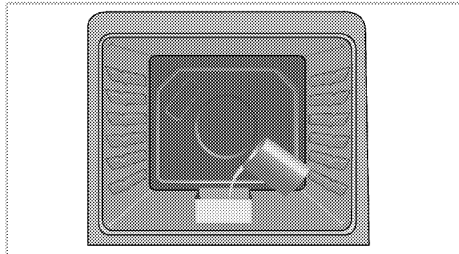
The inner side walls (A) and/or the rear wall (B) of your product may be coated with catalytic enamel. Catalytic walls have a light matte colour and a porous surface. Catalytic walls of the oven should not be cleaned. Porous surfaces of the catalytic walls are automatically cleaned by absorbing and converting the spilled oil (steam and carbon dioxide).



Easy Steam Cleaning

It ensures easy cleaning because the dirt (having waited not for too long) is softened with the steam that forms inside the oven and the water drops condensing on the inner surfaces of the oven.

1. Remove all accessories inside the oven.
2. Place a metal container to the bottom of the oven. Add 400 ml water into the container.



3. Set the oven to easy steam cleaning mode and run at 200°C for 25 minutes.
4. Open the door and wipe the inner surfaces of the oven with a damp sponge or cloth.
5. Use warm water with washing liquid, a soft cloth or sponge to clean the persistent dirt and wipe it with a dry cloth.

Clean oven door

To clean the oven door, use warm water with washing liquid, a soft cloth or sponge to clean the product and wipe it with a dry cloth.

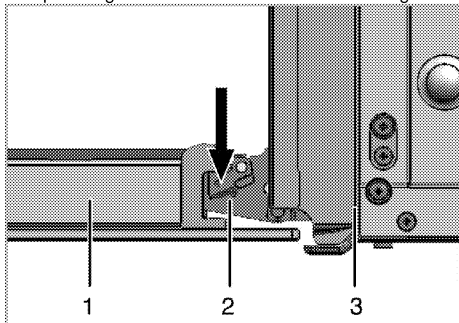


Don't use any harsh abrasive cleaners or sharp metal scrapers for cleaning the oven door.

They could scratch the surface and destroy the glass.

Removing the oven door

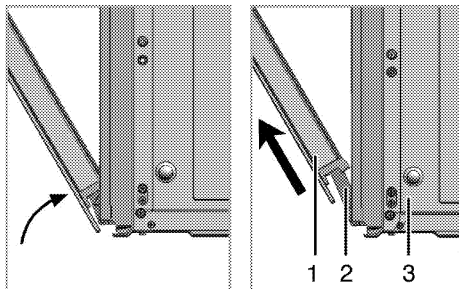
1. Open the front door (1).
2. Open the clips at the hinge housing (2) on the right and left hand sides of the front door by pressing them down as illustrated in the figure.



1 Front door

2 Hinge

3 Oven



3. Move the front door to half-way.
4. Remove the front door by pulling it upwards to release it from the right and left hinges.



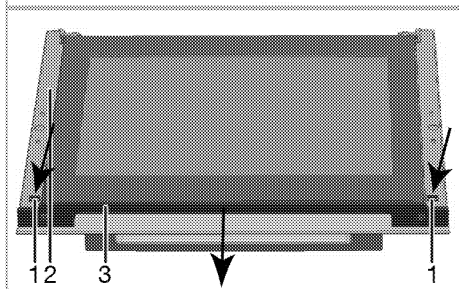
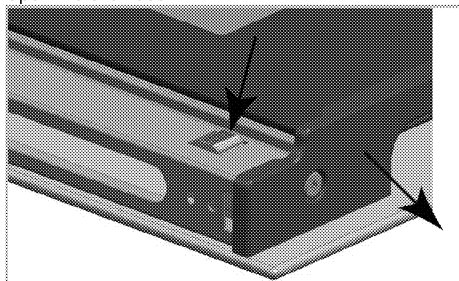
Steps carried out during removing process should be performed in reverse order to install the door. Do not forget to close the clips at the hinge housing when reinstalling the door.

Removing the door inner glass

(This feature is optional. It may not exist on your product.)

The inner glass panel of the oven door can be removed for cleaning.

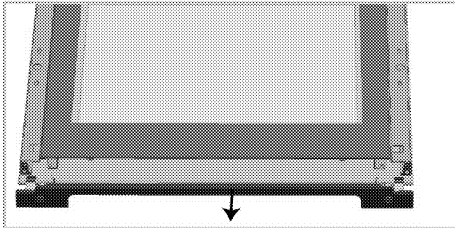
Open the oven door.



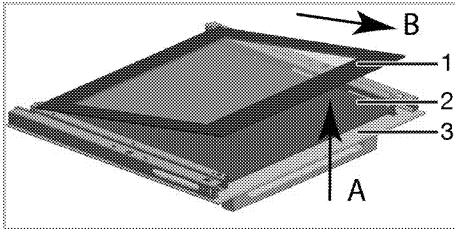
1 Tab

2 Frame

3 Profile



As illustrated in the figures above, press on the tabs (1) and pull the profile (3) towards yourself simultaneously to remove the profile attached to the upper side of the front door.

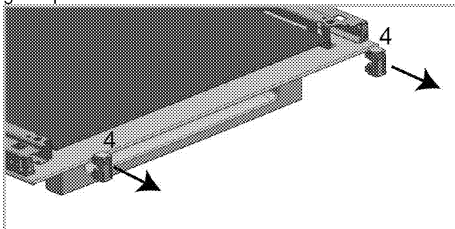


- 1 Innermost glass panel
- 2 Inner glass panel*
- 3 Outer glass panel

* (It may not exist on your product.)

As illustrated in the figure, raise the innermost glass panel (1) slightly in direction 'A' and pull it out in direction 'B'.

If your product is equipped with an inner glass panel; Pull the glass holder connecting elements in the middle as illustrated in the figure to free them from the glass panels.



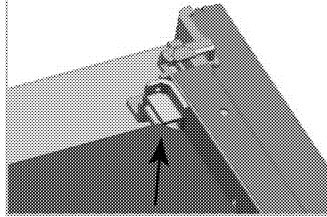
- 4 Glass holder connecting element*

* (It may not exist on your product.)

Repeat the same procedure to remove the inner glass panel (2). The first step to regroup the door is reinstalling inner glass panel (2).

As illustrated in the figure, place the glass panel so that it is inserted to the plastic slot.

i Otherwise the glass panel will not seat completely and may get exposed to vibration and break.



When installing the innermost glass panel (1), make sure that the printed side of the panel faces towards the inner glass panel.

It is important that the lower corners of the innermost glass panel are seated into the plastic slots.

i Otherwise the glass panel will not seat completely and may get exposed to vibration and break.

Please remember to place the glass holding connecting parts into their slots.

Finally, press on the tabs of the profile to make them seat into their slots again.

Replacing the oven lamp



DANGER:

Before replacing the oven lamp, make sure that the product is disconnected from mains and cooled down in order to avoid the risk of an electrical shock.
Hot surfaces may cause burns!



The oven lamp is a special electric light bulb that can resist up to 300 °C. See *Technical specifications, page 12* for details. Oven lamps can be obtained from Authorised Service Agents or technician with licence.



Position of lamp might vary from the figure.



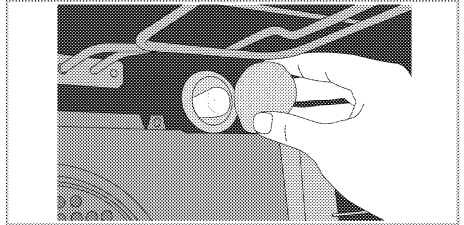
The lamp used in this appliance is not suitable for household room illumination. The intended purpose of this lamp is to assist the user to see foodstuffs.



The lamps used in this appliance have to withstand extreme physical conditions such as temperatures above 50 °C.

If your oven is equipped with a round lamp:

1. Disconnect the product from mains.
2. Turn the glass cover counter clockwise to remove it.



3. Remove the oven lamp by turning it counter clockwise and replace it with the new one.
4. Install the glass cover.

8 Troubleshooting

Oven emits steam when it is in use.

- It is normal that steam escapes during operation. >>> *This is not a fault.*

Product emits metal noises while heating and cooling.

- When the metal parts are heated, they may expand and cause noise. >>> *This is not a fault.*

Product does not operate.

- The mains fuse is defective or has tripped. >>> *Check fuses in the fuse box. If necessary, replace or reset them.*
- Product is not plugged into the (grounded) socket. >>> *Check the plug connection.*

Oven light does not work.

- Oven lamp is defective. >>> *Replace oven lamp.*
- Power is cut. >>> *Check if there is power. Check the fuses in the fuse box. If necessary, replace or reset the fuses.*

Oven does not heat.

- Function and/or Temperature are not set. >>> *Set the function and the temperature with the Function and/or Temperature knob/key.*
- Power is cut. >>> *Check if there is power. Check the fuses in the fuse box. If necessary, replace or reset the fuses.*

There is no ignition spark.

- No current. >>> *Check fuses in the fuse box.*

There is no gas.

- Main gas valve is closed. >>> *Open gas valve.*
- Gas pipe is bent. >>> *Install gas pipe properly.*

Burners are not burning properly or at all.

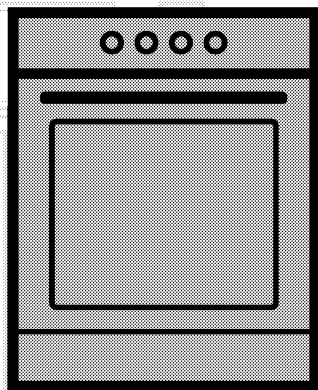
- Burners are dirty. >>> *Clean burner components.*
- Burners are wet. >>> *Dry the burner components.*
- Burner cap is not mounted safely. >>> *Mount the burner cap properly.*
- Gas valve is closed. >>> *Open gas valve.*
- Gas cylinder is empty (when using LPG). >>> *Replace gas cylinder.*



Consult the Authorised Service Agent or technician with licence or the dealer where you have purchased the product if you can not remedy the trouble although you have implemented the instructions in this section. Never attempt to repair a defective product yourself.

Trouba

Návod k použití



CZ

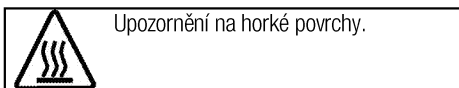
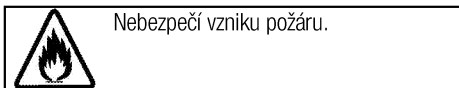
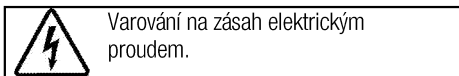
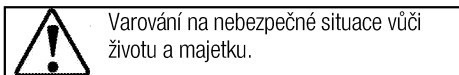
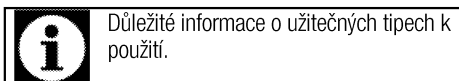
beko

Prosím, čtěte nejprve tento návod.

Vážený zákazník,
Děkujeme za výběr produktu Beko. Doufáme, že s tímto produktem, který byl vyroben s využitím vysoce kvalitní a moderní technologie, dosáhnete těch nejlepších výsledků. Proto si před použitím produktu pečlivě přečtěte celý návod k použití a jakékoli doplňující dokumenty a uchovejte je pro budoucí použití. Pokud produkt předáte další osobě, rovněž ji předejte návod k použití. Dodržte veškerá varování a informace obsažené v návodu k použití. Nezapomeňte, že tento návod se může vztahovat i k několika jiným modelům. Rozdíly mezi modely jsou v návodu výslovně uvedeny.

Vysvětlení symbolů

V celém návodu k použití jsou použity následující symboly:



Arçelik A.Ş.
Karaağaç caddesi No:2-6
34445 Sülüce/Istanbul/TURKEY
Made in TURKEY

1 Důležité pokyny a upozornění týkající se bezpečnosti a životního prostředí **4**

Obecná bezpečnost.....	4
Bezpečnost při práci s plynem	4
Elektrická bezpečnost.....	5
Bezpečnost produktu.....	6
Určené použití.....	8
Mises en garde pour les enfants	8
Likvidace starého výrobku	9
Likvidace obalových materiálů.....	9
Likvidace starého výrobku	9

2 Obecné informace **10**

Přehled	10
Obsah balení	11
Technické parametry.....	12
Tabulka injektoru	12

3 Montáž **13**

Před montáží	13
Instalace a připojení	14
Změna plynu	15

4 Příprava **17**

Tipy pro úsporu energie.....	17
Úvodní použití	17
První čištění produktu.....	17
Výchozí ohřev	17

5 Používání varné desky **18**

Obecné informace o vaření	18
Používání varných desek.....	18

6 Obsluha trouby **20**

Obecné informace pro pečení, rožnění a grilování..	20
Používání elektrické trouby.....	20
Provozní režimy.....	21
Tabulka časů vaření	22
Ovládání grilu.....	23
Tabulka časů pečení pro grilování.....	23

7 Údržba a péče **24**

Obecné informace.....	24
Čištění varné desky	24
Čištění ovládacího panelu	24
Čištění trouby.....	24
Odstranění dvířka trouby.....	25
Odstranění vnitřního skla dvířek.....	25
Výměna vnitřní žárovky	27

8 Odstraňování potíží **28**

1 Důležité pokyny a upozornění týkající se bezpečnosti a životního prostředí

Tento oddíl obsahuje bezpečnostní pokyny, které vám pomohou předejít riziku zranění a poškození.

Nedodržení těchto pokynů zruší platnost záruky.

Obecná bezpečnost

- Toto zařízení může být používáno dětmi staršími 8 let a osobami se sníženými fyzickými, smyslovými nebo duševními schopnostmi nebo s nedostatkem zkušeností, pokud je na ně dohlíženo nebo byly poučeny o použití zařízení bezpečným způsobem a rozumí zahrnutým rizikům. Děti si nesmí se zařízením hrát. Čištění a údržba uživatelem nesmí být prováděna dětmi bez dozoru.
- Pokud je výrobek předán jiné osobě za účelem soukromého použití nebo nepřímého použití, je třeba této osobě poskytnout také uživatelskou příručku, štítky k výrobku a další nezbytné dokumenty a díly.
- Produkt nikdy nepokládejte na podlahu zakrytou kobercem. Nedostatek vzduchu pod produktem způsobí přehřátí elektrických součástí. To způsobí problémy s vaším produktem.
- Instalaci a opravy musejí vždy provádět pracovníci

autorizovaného servisu. Výrobce neodpovídá za škody vzniklé při procesech prováděných neoprávněnými osobami, může dojít i k propadnutí záruky. Před instalací si pečlivě přečtěte pokyny.

- Nepoužívejte výrobek, pokud je vadný nebo vykazuje viditelné škody.
- Po každém použití zkontrolujte, zda jsou všechna funkční tlačítka vypnutá.

Bezpečnost při práci s plynem

- Všechny činnosti s plynovým zařízením a systémy mohou provádět jen autorizované osoby.
- Před instalací ověřte, zda podmínky místní rozvodné sítě (typ a tlak plynu) a nastavení spotřebiče jsou slučitelné.
- Tento spotřebič není připojen k zařízení na odvod produktů spalování. Mělo by být zařízeno a připojeno v souladu s platnými montážními předpisy. Zvláštní pozornost věnujte příslušným požadavkům na ventilaci; Viz *Před montáží, strana 13*
- Při používání plynových vařičů vzniká teplo, vlhkost a produkty spalování v místnosti, kde jsou vařiče instalovány. Zkontrolujte,

zda je kuchyně řádně odvětraná, zejména během používání spotřebiče. Udržujte otevřené přirozené větrací otvory nebo použijte mechanické ventilační zařízení (mechanická odsávací digestoř). Dlouhodobé intenzivní používání spotřebiče může vést k nutnosti instalovat další ventilaci, například zvýšením hladiny mechanické ventilace, je-li dostupná.

- Plynové spotřebiče a systémy je nutno pravidelně kontrolovat. Regulátor, hadice a její svorka musí být pravidelně kontrolovány a vyměňovány v intervalech doporučených výrobcem nebo v případě nutnosti.
- Plynové hořáky pravidelně čistěte. Plameny by měly být modré a rovnoměrně hořet.
- Správné spalování je nezbytné pro plynové spotřebiče. V případě neodkonaleho spalování se může uvolnit oxid uhelnatý (CO). Oxid uhelnatý je plyn bez barvy a zápachu, který je velmi jedovatý a má smrtelné účinky i ve velmi malých dávkách.
- Vyžádejte si informace o telefonních číslech pro pohotovost plynu a bezpečnostních opatřeních v případě, že ucítíte unikající plyn.

Postup v případě, že ucítíte plyn

- Nepoužívejte otevření oheň a nekuřte. Nepoužívejte žádná elektrická tlačítka (např. lampu, domovní zvonek atd.). Nepoužívejte telefony nebo mobilní telefony. Riziko vibuchu a otravy!
- Zavřete všechny ventily na plynových spotřebičích a plynových hodinách.
- Otevřete dveře a okna.
- Zkontrolujte těsnost všech trubic a spojení. Pokud stále cítíte unikající plyn, vyjděte z bytu.
- Upozorněte sousedy.
- Přivolejte hasiče. Použijte telefon mimo dům.
- Nepronikajte do zařízení, pokud nemáte informace, že je to bezpečné.

Elektrická bezpečnost

- Dojde-li k selhání produktu, nesmí být používán až do okamžiku opravy zástupcem autorizovaného servisu. Hrozí riziko zásahu elektrickým proudem!
- Produkt zapojte pouze do uzemněné zásuvky s daným napětím a ochranou uvedenou v "Technické údaje". Uzemnění musí zajistit kvalifikovaný elektrikář, pokud používáte výrobek s transformátorem nebo bez něj. Naše společnost nenese

žádnou zodpovědnost za problémy vyplývající z neuzemnění produktu v souladu s místními směnicemi.

- Produkt nikdy nemyjte nalitím vody na něj! Hrozí riziko zásahu elektrickým proudem!
- Zásuvky se nikdy nedotýkejte mokřýma rukama! Zástrčku nikdy neodpojujte tahem za kabel, vždy za zástrčku.
- Produkt musí být během instalace, údržby, čištění nebo oprav odpojen.
- Pokud je napájecí kabel poškozen, musí jej vyměnit výrobce, jeho servisní zástupce nebo obdobně kvalifikovaná osoba, aby se předešlo riziku.
- Spotřebič musí být nainstalován tak, aby byl ze sítě zcela odpojen. Oddělení musí být zajištěno buď zástrčkou nebo spínačem vestavěným do fixní elektrické instalace, v souladu se stavebními směnicemi.
- La surface arrière du four devient chaude lors de l'utilisation. Zkontrolujte, zda není plynové/elektrické napojení v kontaktu se zadní stěnou; jinak může dojít k poškození spojů.
- Nezachycujte napájecí kabel mezi dvířky trouby a rám a nevedte jej po horkých plochách. Jinak může

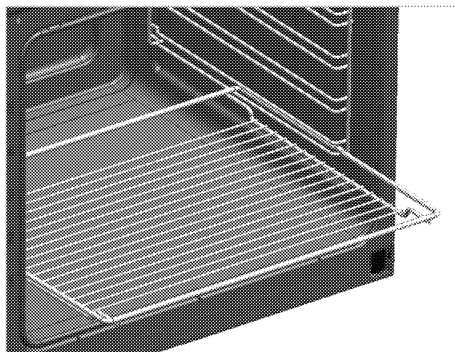
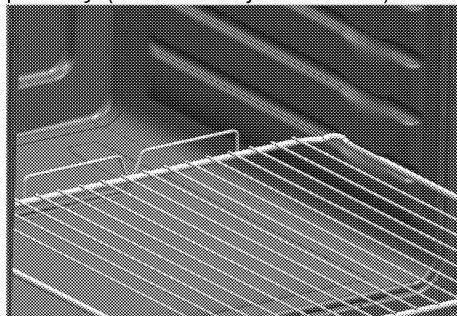
dojít k roztavení izolace kabelu a následkem zkratu dojde k požáru.

- Všechny činnosti s elektrickým zařízením a systémy mohou provádět jen autorizované osoby.
- V případě jakýchkoli poškození vypněte přístroj a odpojte jej od napájení. Za tímto účelem vypněte domovní pojistku.
- Zkontrolujte, zda je hodnota pojistky kompatibilní s výrobkem.

Bezpečnost produktu

- Spotřebič a dostupné části se při používání zahřívají. Dávejte pozor, abyste se nedotkli topných prvků. Děti do 8 let věku udržujte mimo dosah nebo pod stálým dohledem.
- Nikdy nepoužívejte výrobek, pokud váš úsudek nebo koordinaci ovlivňuje použití alkoholu a/nebo léků.
- Soyez prudent lors de l'utilisation d'alcool dans vos plats. Alkohol se při vysokých teplotách vypařuje a může způsobit požár, jelikož se vznítí, když se dostane do kontaktu s horkou plochou.
- Nestavte žádné hořlavé materiály vedle výrobku, jelikož jeho boky se při používání zahřejí.
- Během použití se spotřebič zahřeje. Dávejte pozor, abyste se nedotkli topných prvků.
- Všechny větrací otvory musejí zůstat bez překážek.

- Neohřívejte uzavřené plechovky a sklenice v troubě. Tlak, který se nahromadí ve sklenici/plechovce, může vést k jejímu prasknutí.
- Neumísťujte pečící plechy, nádoby či alobal přímo na dno trouby. Nahromaděné horko může poškodit dno trouby.
- Nepoužívejte drsné abrazivní čisticí prostředky nebo ostré kovové stěrky na čištění skla dvířek trouby, protože mohou poškrábat povrch, což může vést k poničení skla.
- Na čištění spotřebiče nepoužívejte parní čističe, mohlo by dojít k zásahu elektrickým proudem.
- (Liší se podle modelu výrobku.) Správné umístění drátěné police a plechu na drátěné přihrádce
Je nutné správně umístit polici a/nebo plech na přihrádku. Nasuňte polici nebo plech mezi 2 kolejničky a zajistěte, aby byla v rovnováze, než na ni umístíte pokrmy (viz následující obrázek).



- Nepoužívejte výrobek bez předních skleněných dveří nebo s prasklými dveřmi.
- Madlo trouby není sušák pro utěrky. Nevěste na něj utěrky, rukavice nebo podobné textilní výrobky, když je v provozu gril s otevřenými dvířky.
- Vždy používejte tepluvzdorné rukavice při vkládání a vyjímání nádob z horké trouby.
- Pečící papír dejte do pekáče nebo do příslušenství trouby (plech, gril, atd.) společně s jídlem a potom vše zasuňte do předehřáté trouby. Odstraňte části pečícího papíru přecházející okraje pekáče nebo příslušenství, abyste předešli nebezpečí kontaktu s topnými tělesy v troubě. Pečící papír nikdy nepoužívejte při teplotě překračující uvedenou hodnotu na obalu pečícího papíru. Pečící papír nedávejte přímo na dno trouby.
- Než začnete žárovku vyměňovat, ujistěte se, zda je spotřebič

vypnutý, abyste tak předešli možnosti úrazu elektrickým proudem.

- Vaření bez dozoru, při kterém používáte tuk nebo olej může být nebezpečné a může způsobit požár. NIKDY se nepokoušejte uhasit oheň vodou, ale vypněte spotřebič a poté plamen zakryjte pokličkou nebo hasicí rouškou.
- Nebezpečí požáru: Na povrchu určeném k vaření neskladujte žádné předměty.

Pro spolehlivost ohně:

- Ujistěte se, zda zástručka zapadla do zásuvky a nezpůsobí vznik jiskry.
- Nepoužívejte poškozený nebo nalomený prodlužovací kabel ani jiný než originální kabel.
- Ujistěte se, zda je při zapojení není na zástrčce žádná vlhkost ani kapalina.
- Ujistěte se, zda je připojení plynu nainstalované dobře a nedojde k unikání plynu.

Určené použití

- Tento výrobek je určen pro domácí použití. Komerční použití není přípustné.
- Toto zařízení je určeno jen pro vaření. Nesmí se používat na jiné účely, například k vytápění místností.
- Tento výrobek nepoužívejte k ohřívání talířů pod grilem, sušení

ručníků a utěrek atd. na rukojeti a pro vytápění.

- Výrobce nezodpovídá za žádné škody způsobené nesprávným použitím nebo manipulací.
- Troubu lze použít k rozmrazení, pečení, rožnění a grilování pokrmů.

Mises en garde pour les enfants

- Přístupné části se mohou během používání rozehrát. Malé děti udržujte mimo dosah.
- Obalové materiály jsou pro děti nebezpečné. Udržujte děti mimo dosah obalových materiálů. Veuillez jeter les fournitures d'emballage en respectant les normes relatives à l'environnement.
- Elektrické a/nebo plynové výrobky jsou nebezpečné pro děti. Udržujte děti mimo tento výrobek, pokud je v provozu, nedovolte jim hrát si s výrobkem.
- Nad spotřebič nestavte žádné předměty, na něž by děti mohly dosáhnout.
- Když jsou otevřená dvířka trouby, nevkládejte na ně žádný těžký předmět a nedovolte dětem, aby na ně sedaly. Může se převrátit nebo by se poškodily závěsy dveří.

Likvidace starého výrobku

Dodržování směrnice WEEE a o likvidaci odpadů:



Tento produkt splňuje směrnici EU WEEE (2012/19/EU). Tento výrobek nese symbol pro třídění, platný pro elektrický a elektronický odpad (WEEE).

Tento produkt byl vyroben z vysoce kvalitních součástí a materiálů, které lze znovu použít a které jsou vhodné pro recyklaci. Produkt na konci životnosti nevyhazujte do běžného domácího odpadu. Odveďte ho do sběrného místa pro recyklaci elektrických a elektronických zařízení. Informace o těchto sběrných místech získáte na místních úřadech.

Dodržování směrnice RoHS:

Produkt, který jste zakoupili splňuje směrnici EU RoHS (2011/65/EU). Neobsahuje žádné škodlivé ani zakázané materiály, které jsou směrnici zakázané.

Likvidace obalových materiálů

- Obalové materiály jsou nebezpečné pro děti. Obalové materiály uschovejte na bezpečném místě mimo dosah dětí. Obalové materiály výrobku jsou vyrobeny z recyklovatelných

materiálů. Zlikvidujte je správně a tříděte je v souladu s pokyny pro likvidaci recyklovaného odpadu. Nelikvidujte je s běžným domácím odpadem.

Likvidace starého výrobku

- Uschovejte si originální karton od výrobku a přepravujte výrobek v něm. Dodržujte pokyny na kartonu. Pokud nemáte originální karton, zabalte výrobek do bublin nebo silného kartonu a pevně oblepte páskou.
- Aby drátěná police a plech v troubě nepoškodily dvířka trouby, umístěte pásku kartonu na vnitřek dveří trouby v částech, které odpovídají poloze plechů. Přilepte dvířka trouby k bočním stěnám.
- Zajistěte víčka a držáky pánev lepicí páskou.
- Nepoužívejte dvířka nebo madlo ke zvedání či přesouvání výrobku.



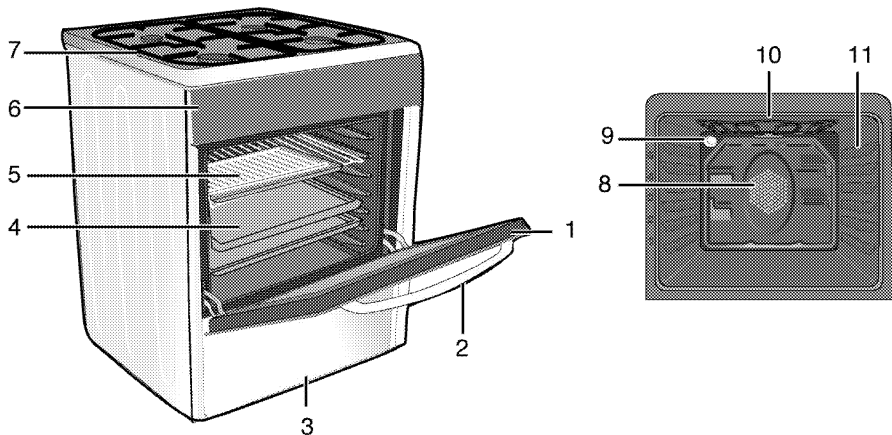
Nevkládejte žádné předměty na výrobek a posouvejte jej ve svislé poloze.



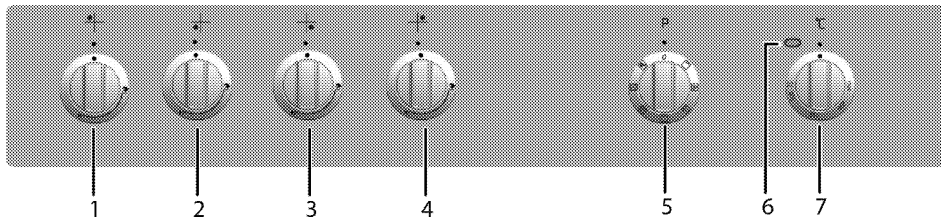
Zkontrolujte vzhled výrobku, zda neobsahuje škody, k nimž mohlo dojít při přepravě.

2 Obecné informace

Přehled



- | | | | |
|---|----------------|----|--|
| 1 | Přední dveře | 7 | Plotna |
| 2 | Madlo | 8 | Pohon ventilátoru (za ocelovým plátem) |
| 3 | Spodní část | 9 | Světlo |
| 4 | Plech | 10 | Prvek vyhřívání grilu |
| 5 | Drátěná police | 11 | Polohy polic |
| 6 | Ovládací panel | | |



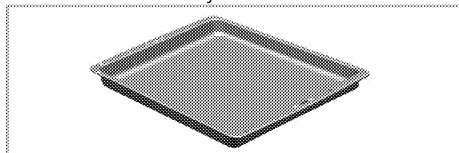
- | | |
|---|------------------------------|
| 1 | Normální hořák Vzadu vlevo |
| 2 | Rychlý hořák Vpředu vlevo |
| 3 | Přídavný hořák Vpředu vpravo |
| 4 | Normální hořák Vzadu vpravo |
| 5 | Funkční spínač |
| 6 | Světlo termostatu |
| 7 | Spínač termostatu |

Obsah balení

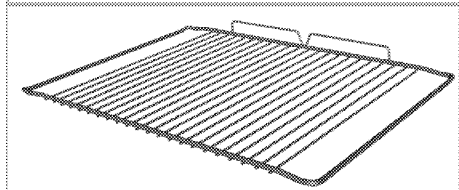
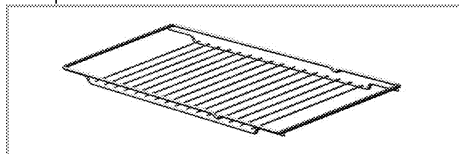


Dodávané příslušenství se může lišit podle modelu výrobku. Všechna příslušenství popisovaná v návodu k použití nemusí být součástí vašeho výrobku.

1. **Návod k použití**
2. **Plech do trouby**
Používá se na cukroviny, mražené potraviny a velké rožněné kusy.



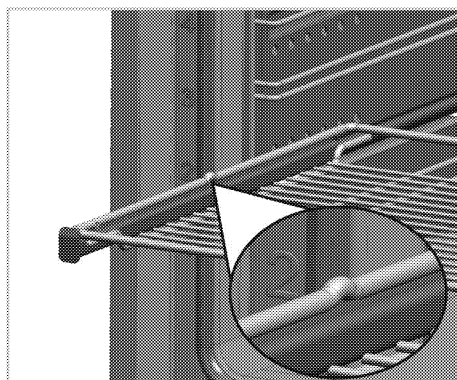
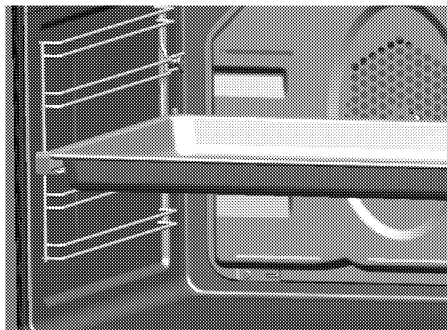
3. **Drátěná police**
Slouží k rožnění a pokládání pečených, rožněných nebo v hrnci pečených pokrmů na požadované úrovni.



4. **Správné umístění drátěné police a plechu na teleskopické přihrádky**
(Tato funkce je volitelná. Nemusí být součástí vašeho výrobku.)

Teleskopické přihrádky umožňují snadno vkládat a vyjmát plechy a drátěnou polici.

Při používání plechu a drátěné police s teleskopickými přihrádkami, zkontrolujte, zda jsou kolíky v zadní části stojanů na teleskopické přihrádky u okrajů drátěné police a plechu.



5. **Adaptér na konvice na kávu**



Slouží pro konvice na kávu.

Technické parametry

OBECEŇ	
Vnější rozměry (výška/šířka/hloubka)	850 mm/500 mm/600 mm
Napětí/frekvence	220-240 V ~ 50 Hz
Celková spotřeba energie	2.0 kW
Pojistka	10 A
Typ kabelu / průřez	min.H05W-FG 3 x 1 mm ²
Kategorie plynového zařízení	Cat II 2H3+ / Cat II 2H3B/P
Typ plynu / tlak	NG G 20/20 mbar
Celková spotřeba plynu	7.9 kW
Přeměna na typ plynu/tlak ³	LPG 30/28-30 mbar
– volitelné	Propan 31/37 mbar
DESKA	
Hořáky	
Vzadu vlevo	Normální hořák
Výkon	2kW
Vpředu vlevo	Rychlý hořák
Výkon	2.9 kW
Vpředu vpravo	Přídavný hořák
Výkon	1 kW
Vzadu vpravo	Normální hořák
Výkon	2 kW
TROUBA/GRIL	
Hlavní trouba	Multifunkční trouba
Vnitřní světlo	15–25 W
Spotřeba energie grilu	1.6 kW

* Základy: Informace na energetickém štítku elektrických trub jsou uvedeny v souladu s normou EN 60350-1 / IEC 60350-1. Tyto hodnoty jsou zjišťovány za standardního zatížení s horním-dolním ohřevem nebo horkovzdušným provozu (pokud existuje).

Třída energetické účinnosti je stanovena v souladu s následujícími prioritami podle toho, zda na výrobu existují příslušné funkce nebo ne. 1-Vaření s eko-ventilátorem, 2- Turbo pomalé pečení, 3- Turbo pečení, 4- Horní/dolní ohřev s ventilátorem, 5- Horní a dolní ohřev.



Technické parametry se mohou měnit bez předchozího upozornění za účelem zvyšování kvality výrobku.



Obrázky v tomto návodu jsou schematické a nemusí se shodovat s vaším výrobkem.



Hodnoty na štítcích výrobku nebo v doprovodné dokumentaci jsou zjišťovány v laboratorních podmínkách podle příslušných norem. Podle provozních a okolních podmínek výrobku se tyto hodnoty mohou měnit.

Tabulka injektoru

Poloha oblasti varné desky	2kW Vzadu vlevo	2.9 kW Vpředu vlevo	1 kW Vpředu vpravo	2 kW Vzadu vpravo
Typ plynu / Tlak plynu				
G 20/20 mbar	103	115	72	103
G 30/28-30 mbar	72	87	50	72
G 31/ 37 mbar	72	87	50	72

3 Montáž

Výrobek musí nainstalovat kvalifikovaná osoba v souladu s platnými předpisy. Jinak není možné uznat záruku. Výrobce neodpovídá za škody vzniklé při procesech prováděných neoprávněnými osobami, může dojít i k propadnutí záruky.



Za přípravu místa a elektrické a plynové instalace výrobku odpovídá zákazník.



NEBEZPEČÍ:

Výrobek musí být instalován v souladu se všemi místními a/nebo elektrickými vyhláškami.

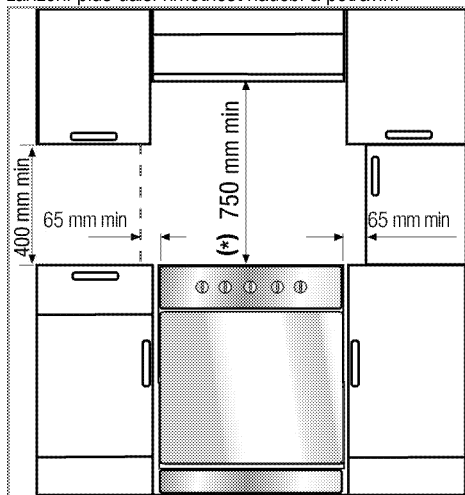


NEBEZPEČÍ:

Před instalací zkontrolujte případné vady na výrobku. Pokud nějaké objevíte, neinstalujte jej. Poškozené výrobky mohou ohrozit vaši bezpečnost.

Před montáží

Abyste zajistili přítomnost vzduchových proudů pod produktem, doporučujeme upevnit výrobek na pevnou základnu s tím, že nožky by se neměly ponořovat do koberec ani měkkých podlahových krytin. Podlaha kuchyně musí být schopna unést hmotnost zařízení plus další hmotnost nádobí a potravin.



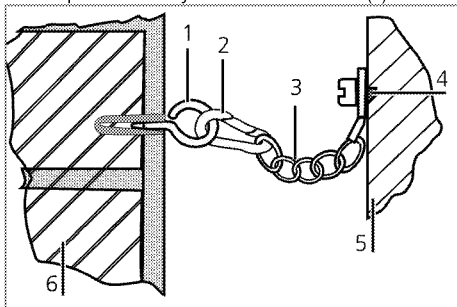
- Lze je používat se skříněmi po obou stranách, ale pro minimální vzdálenost 400 mm nad úroveň plotny počítejte s bočním odstupem 65 mm mezi spotřebičem a jakoukoli stěnou, příčkou nebo vysokou skříní.

- Lze jej používat i jako samostatně stojící spotřebič. Nad povrchem desky je nutno počítat s minimální vzdáleností 750 mm.
- (*) Pokud nad sporákem instalujete digestoř, upravte výšku instalace podle pokynů výrobce digestoře (min. 650 mm).
- Spotřebič odpovídá zařízením třídy 1, tj. lze jej umístit zadní a **jednou** stranou ke stěně kuchyně, kuchyňskému nábytku nebo zařízení libovolné velikosti. Kuchyňský nábytek nebo vybavení na **druhé** straně smí být pouze stejné velikosti nebo menší.
- Jakýkoli kuchyňský nábytek vedle spotřebiče musí být tepluvzdorný (do 100 °C min.).

Bezpečnostní popruh

Spotřebič je nutno zajistit proti převážení pomocí dvou řetězů dodaných s troubou.

Hák (1) utáhněte pomocí správného čepu ke kuchyňské stěně (6) a bezpečnostní popruh (3) připojte k háku pomocí uzamykacího mechanismu (2).



- 1 Stabilizační hák
- 2 Uzamykací mechanismus
- 3 Bezpečnostní popruh
- 4 Upevnění popruhu k zadní straně sporáku
- 5 Zadní strana sporáku
- 6 Stěna kuchyně



Stabilní řetěz, který je maximálně krátký a praktický a díky tomu se předchází překlopení dopředu a do strany a posunutí trouby.

Stabilní řetěz pro vařiče není navržen s otvorem pro zapojení konzole.

Ventilace místnosti

U všech místností musí být otevíratelné okno apod., u některých místností bude nutno použít trvalé odvětrání.

Vzduch pro spalování je vtažován z místnosti a spalovací plyny jsou vypouštěny přímo do místnosti. Pro bezpečné používání spotřebiče je nezbytná dobrá ventilace. Pokud nemáte k dispozici okno či dveře, je nutno instalovat náhradní ventilaci. Spotřebič lze umístit do kuchyně, kuchyně/jídelny nebo kuchyňského koutu v obytné místnosti, ne však do místnosti s vanou či sprchou. Spotřebič nesmí být instalován v obytné místnosti s plochou pod 20 m³. Neinstalujte tento spotřebič do místnosti pod úroveň země, pokud není otevřena na přízemní podlaží nejméně na jedné straně.

Velikost místnosti	Ventilační otvor
menší než 5 m ³	min. 100 cm ²
5 m ³ až 10 m ³	min. 50 cm ²
větší než 10 m ³ /den	není nutný
Ve sklepě či suterénu	min. 65 cm ²

Instalace a připojení

Přístroj lze instalovat a připojovat jen v souladu se zákonnými předpisy.



Neinstalujte přístroj vedle chladniček či mrazniček. Teplu vyzařované výrobkem zvýší spotřebu energie chladicích zařízení.

- Přístroj přenášejte nejméně ve dvou.
- Přístroj umístěte přímo na zem. Nesmí být na podstavci nebo základně.



Nepoužívejte dvířka nebo madlo k přenášení či přesouvání výrobku. Dvířka, madlo nebo závěsy se mohou poškodit.

Elektrické zapojení

Zapojte výrobek do uzemněné zásuvky/vedení chráněné pojistkou o vhodné kapacitě podle tabulky "Technické parametry". Uzemnění musí zajistit kvalifikovaný elektrikář, pokud používáte výrobek s transformátorem nebo bez něj. Naše společnost neodpovídá za škody vzniklé z důvodu používání výrobku bez správného uzemnění v souladu s místními předpisy.



NEBEZPEČÍ:

Výrobek smí připojit k napájení pouze autorizovaný a kvalifikovaný pracovník. Záruční lhůta výrobku začíná běžet až po řádné instalaci. Výrobce neodpovídá za škody vzniklé při procesech prováděných neoprávněnými osobami.



NEBEZPEČÍ:

Napájecí kabel je nutno nepřiskřípnout, ohnout či zmáčknout, nesmí přijít do styku s horkými částmi zařízení.

Poškozený napájecí kabel musí vyměnit kvalifikovaný elektrikář. Jinak je zde nebezpečí zásahu elektrickým proudem, zkratu nebo požáru!

Údaje napájení musejí odpovídat údajům na typovém štítku přístroje. Štítek je přístupný při otevření dvířek nebo dolního krytu, případně se nachází na zadní stěně přístroje podle typu přístroje.

Napájecí kabel vašeho výrobku musí odpovídat hodnotám v tabulce "Technické parametry".



Zástrčka napájecího kabelu musí být snadno dosažitelná i po instalaci (nevedte ji nad varnou deskou).



NEBEZPEČÍ:

Než zahájíte jakoukoli činnost na elektrické instalaci, odpojte výrobek od napájení. Hrozí riziko zásahu elektrickým proudem!

Zapojte napájecí kabel do zásuvky.

Připojení plynu



NEBEZPEČÍ:

Zařízení může být připojeno k systému dodávajícímu plyn pouze autorizovanou nebo kvalifikovanou osobou. Nebezpečí výbuchu nebo otrávení následkem neprofesionálních oprav! Výrobce neodpovídá za škody vzniklé při procesech prováděných neoprávněnými osobami.



NEBEZPEČÍ:

Než zahájíte jakoukoli činnost na plynové instalaci, odpojte přívod plynu. Hrozí riziko výbuchu!

- Podmínky a hodnoty nastavení plynu jsou uvedeny na štítcích (nebo na typovém štítku).



Vaše zařízení je vybaveno přírodním plynem (NG).

- Instalaci zemního plynu je nutno připravit před instalací výrobku.
- Na výstupu instalace pro připojení zemního plynu k výrobku musí být pružná hadice a konec této hadice musí být uzavřen zátkou. Zástupce servisu zátku sejme při připojování a připojí váš přístroj pomocí rovného připojovacího zařízení (spoj).

- Zajistěte, aby byl ventil zemního plynu dobře dostupný.
- Pokud potřebujete použít spotřebiči později na jiný typ plynu, musíte kontaktovat autorizovaný servis za účelem příslušného postupu přeměny.



NEBEZPEČÍ:

Plynovou hadici je nutno nepřiskřípnout, ohnout či zmáčknout, nesmí přijít do styku s horkými částmi zařízení.
Je zde nebezpečí výbuchu následkem poškozené plynové hadice.

- Zatlačte výrobek ke stěně kuchyně.
- **Nastavování nožek trouby**
Vibrace během používání mohou vést k pohybům nádob. Této nebezpečné situaci předejdete tím, když bude výrobek v rovině a vyvážený.
Z bezpečnostních důvodů zkontrolujte vyváženost výrobku tak, že upravíte čtyři nožky vespod tak, že je otočíte doleva nebo doprava a zarovnáte podle pracovní desky.

Poslední kontrola

1. Zkontrolujte funkce elektriny.
2. Otevřete přívod plynu.
3. Zkontrolujte instalaci plynu kvůli správnému upevnění a těsnosti.
4. Zapalte hořáky a zkontrolujte vzhled plamene.



Plamen musí být modrý a musí mít pravidelný tvar. Pokud je plamen načloultý, zkontrolujte, zda je víčko hořáku bezpečně usazeno, nebo vyčistěte hořák.

Změna plynu



NEBEZPEČÍ:

Než zahájíte jakoukoli činnost na plynové instalaci, odpojte přívod plynu.
Hrozí riziko výbuchu!

Chcete-li změnit typ plynu pro váš spotřebič, vyměňte všechny vstřikovače a upravte plamen všech ventilů v poloze nižšího průtoku.

Výměna vstřikovače hořáku

1. Sejměte víčko hořáku a tělo hořáku.
2. odšroubujte vstřikovače proti směru hodinových ručiček.
3. Nasadte nové vstřikovače.
4. Zkontrolujte všechna spojení kvůli správnému upevnění a těsnosti.

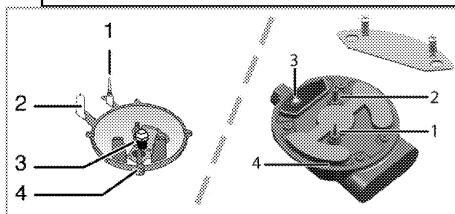


Nové vstřikovače mají polohu vyznačenou na obalu nebo můžete postupovat podle tabulky vstřikovačů na *Tabulka injektoru, strana 12*.



((Liší se podle modelu výrobku.))

U některých ploten je vstřikovač zakrytý kovovým prvkem. Tento kovový prvek je nutno demontovat před výměnou vstřikovače.



- 1 Pojistka proti zhasnutí plamene (podle modelu)
- 2 Svíčka
- 3 Vstřikovač
- 4 Hořák



Pokud nedojde k abnormální situaci, nesnažte se sejmut kohouty plynových hořáků. Pokud je nutné vyměnit kohout, musíte kontaktovat autorizovaný servis.

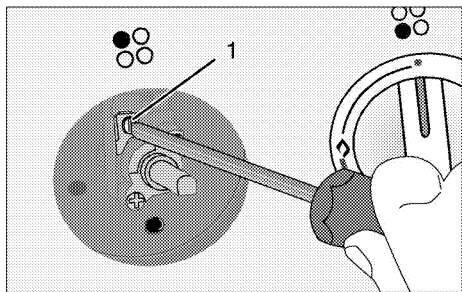
Nastavení sníženého průtoku plynu u kohoutů desky

1. Zapalte hořák, který chcete nastavit, a otočte tlačítko do polohy středního plamene.
2. Sejměte tlačítko z plynového kohoutu.
3. Používejte šroubovák vhodné velikosti k úpravě šroubu nastavení průtoku.

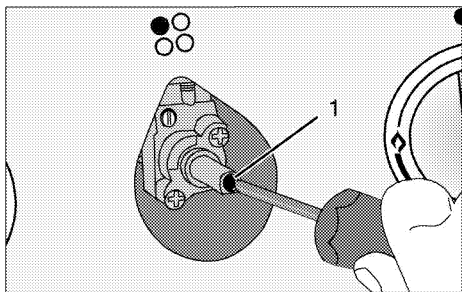
U LPG (propan-butan) otočte šroub doprava. U zemního plynu otočte šroub jednou **proti směru hodinových ručiček**.

» Normální délka rovného plamene ve snížené poloze by měla být 6-7 mm.

4. Pokud je plamen vyšší, než je požadovaná poloha, otočte šroub ve směru hodinových ručiček. Pokud je menší, otáčejte doleva.
5. V závislosti na použitém plynovém kohoutu ve vašem spotřebiči se může lišit poloha seřizovacího šroubu.



1 Šroub nastavení průtoku



1 Šroub nastavení průtoku

i Pokud se změní typ plynu přístroje, je nutno změnit i štítek, který udává typ plynu přístroje.

4 Příprava

Tipy pro úsporu energie

Následující informace vám pomohou používat zařízení ekologicky a ušetřit energii:

- Používejte tmavé a smaltované nádoby, přenos tepla pak bude lepší.
- Když připravujete pokrmy, provádějte předehřívání, pokud je doporučuje návod k použití nebo recept.
- Během pečení neotevírejte často dvířka trouby.
- Zkuste péct více než jeden pokrm v troubě současně, jakmile je to možné. Můžete vařit tak, že na drátěnou polici umístíte dvě nádoby.
- Pečte více než jeden pokrm za druhým. Trouba již bude horká.
- Energii ušetříte, pokud troubu vypnete pár minut před koncem doby pečení. Neotevírejte dvířka trouby.
- Zmražené potraviny před vařením rozmrazte.
- Používejte pánve/hrnce s víky na vaření. Pokud nemáte víko, spotřeba energie může vzrůst až čtyřnásobně.
- Zvolte hořák, který je vhodný pro rozměr dna hrnce. Vždy zvolte správný rozměr hrnce pro připravovaný pokrm. Větší hrnce vyžadují více energie.

Úvodní použití

První čištění produktu



Povrch se může poškodit vlivem některých saponátů nebo čistících materiálů. Nepoužívejte agresivní saponáty, čistící prášek/mléko ani ostré předměty při čištění.

1. Sejměte všechny obaly.
2. Setřete povrch výrobku vlhkým hadříkem nebo houbičkou a osušte hadříkem.

Výchozí ohřev

Zahřívajte výrobek cca 30 minut, pak je vypněte. Tím dojde k odpálení a odstranění zbytků nebo vrstev z výroby.



VAROVÁNÍ!

Horké povrchy způsobují popáleniny!
Výrobek může být během používání horký. Nikdy se nedotýkejte horkých hořáků, vnitřních částí trouby, topných prvků atd. Udržujte děti mimo dosah.
Vždy používejte tepluvzdorné rukavice při vkládání a vyjímání nádob z horké trouby.

Elektrická trouba

1. Vyjměte všechny pečicí plechy a drátěnou polici z trouby.
2. Zavřete dvířka trouby.
3. Zvolte statickou pozici.
4. Zvolte nejvyšší výkon grilu; viz *Používání elektrické trouby, strana 20*.
5. Zapněte troubu asi na 30 minut.
6. Vypněte troubu; viz *Používání elektrické trouby, strana 20*

Trouba s grilem

1. Vyjměte všechny pečicí plechy a drátěnou polici z trouby.
2. Zavřete dvířka trouby.
3. Zvolte nejvyšší výkon grilu; viz *Ovládání grilu, strana 23*.
4. Zapněte troubu asi na 30 minut.
5. Vypínání grilu; viz *Ovládání grilu, strana 23*



Při prvním použití se může na pár hodin uvolňovat kouř a zápach. To je normální. Zkontrolujte, zda je místnost řádně odvětrána, abyste odstranili kouř i zápach. Vyhněte se přímému vdechování kouře a zápachu.

5 Používání varné desky

Obecné informace o vaření



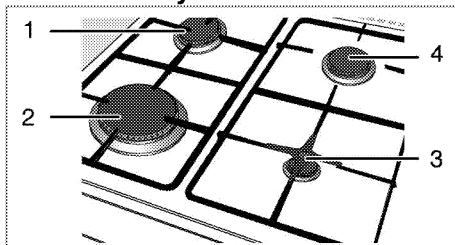
Nikdy nepřilíte pánev olejem do více než jedné třetiny. Při nahřívání oleje nenechávejte varnou desku bez dozoru. Přehřátý olej znamená nebezpečí požáru. **Nikdy se nesnažte možný oheň uhasit vodou!** Když se olej vznítí, přikryjte jej požární dekou nebo vlhkým hadrem. Vypněte varnou desku, pokud je to bezpečné, a zavolejte hasiče.

- Potraviny před smažením pečlivě osušte a opatrně vložte do horkého oleje. Před smažením zkontrolujte, zda zmrazené potraviny zcela rozmrzly.
- Nezakrývejte nádobu, v níž zahříváte olej.
- Pánve a hrnce umísťujte tak, aby jejich rukojeti nebyly nad varnou deskou a nemohlo dojít k jejich spálení. Na desku neumísťujte nevyvážené a snadno překlápělné nádoby.
- Na zapnuté varné oblasti nepokládejte prázdné nádoby a hrnce. Mohly by se poškodit.
- Provoz varných oblastí naprázdno bez nádoby nebo hrnce může poškodit výrobek. Jakmile dovaříte, vypněte varné oblasti.
- Jelikož povrch výrobku může být horký, nepokládejte na něj plastové ani hliníkové nádoby. Takové nádoby by neměly být používány k uchování potravin.
- Používejte pouze hrnce a nádoby s plochým dnem.
- Do hrnců a pánví vkládejte přiměřené množství potravin. Taktó nebudete muset provádět zbytečné čištění z důvodu přetečení. Nepokládejte poklice hrnců nebo pánví na varné oblasti. Pokládejte hrnce do středu varné oblasti. Pokud chcete hrnce posunout na jinou varnou oblast, zvedněte jej a postavte ho tam, neposunujte jím.

Vaření s plynem

- Velikost nádoby musí odpovídat velikosti plamene. Upravte plamen tak, aby nepřesahoval dno nádoby a umístěte nádobu na držák hrnce.

Používání varných desek



- 1 Normální hořák 18-20 cm
- 2 Rychlý hořák 22-24 cm
- 3 Přídavný hořák 12-18 cm
- 4 Normální hořák 18-20 cm je seznam doporučených průměrů pro hrnce nebo pánve na příslušné hořáky.

Velký symbol plamene označuje nejvyšší výkon vaření, malý symbol plamene odpovídá nejnižšímu výkonu vaření. Pokud otočíte do polohy vypnuto (nahoru), k hořákům neproudí plyn.

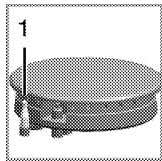
Zapálení plynových hořáků

1. Tiskněte tlačítko hořáku.
2. Otáčejte jím proti směru hodinových ručiček k velkému symbolu plamene.
- » Plyn zažehne vzniklá jiskra.
3. Nastavte požadovaný výkon.

Vypínání plynových hořáků

Otočte tlačítkem pásma udržování teploty do polohy vypnuto (horní).

Bezpečnostní systém uzávěru plynu (u typů vybavených tepelnou součástí)



1. Bezpečnostní systém uzávěru plynu

Jakmile dojde ke zhasnutí hořáků z důvodu přetečení, spustí se bezpečnostní systém a přeruší přívod plynu.

- Stiskněte tlačítko směrem dovnitř a otočte jím proti směru hodinových ručiček a zapalte.
- Po zapálení plynu držte tlačítko ještě 3-5 sekund, aby se spustil bezpečnostní systém.
- Pokud se plyn nezapálil poté, co jste stiskli a pustili tlačítko, postup opakujte a tiskněte tlačítko po dobu 15 sekund.



NEBEZPEČÍ:

Uvolněte tlačítko, pokud není hořák zapálen během 15 vteřin.

Před dalším pokusem počkejte nejméně 1 minutu. Hrozí riziko nahromadění plynu a výbuchu!

6 Obsluha trouby

Obecné informace pro pečení, rožnění a grilování



VAROVÁNÍ!

Horké povrchy způsobují popáleniny! Výrobek může být během používání horký. Nikdy se nedotýkejte horkých hořáků, vnitřních částí trouby, topných prvků atd. Udržujte děti mimo dosah. Vždy používejte tepluvzdorné rukavice při vkládání a vyjímání nádob z horké trouby.



NEBEZPEČÍ:

Dávejte pozor při otevírání dvířek trouby, může unikat pára. Únik páry vám může opařit ruce, obličej a/nebo oči.

Tipy pro pečení

- Používejte nepřilnavé kovové plechy nebo hliníkové nádoby nebo tepluvzdorné silikonové formy.
- Co nejlépe využijte místo na polici.
- Pečící formu vkládejte doprostřed přihrádky.
- Zvolte správnou pozici přihrádky, než troubu nebo gril zapnete. Neměňte pozici přihrádky, když je trouba horká.
- Udržujte dvířka trouby zavřená.

Tipy na rožnění

- Pokud na celé kuře, krocana a velké kusy masa nanese te např. citronovou šťávu a černý pepř před pečením, zvýšíte účinnost pečení.
- Rožnění masa s kostí trvá asi o 15 až 30 minut déle než masa stejné velikosti bez kostí.
- Každý centimetr tloušťky masa vyžaduje asi 4 až 5 minut pečení.
- Maso nechte v troubě ještě cca 10 minut po době pečení. Štávy se pak lépe rozmístí po celém kusu masa a nevytékají při nařiznutí.
- Ryby kladte na střední nebo dolní přihrádku do žáruvzdorného plechu.

Tipy na grilování

Když grilujete maso, ryby a drůbež, rychle zhnědnou, mají pěknou kůrku a nevysušují se. Ploché kusy, rožněné maso a klobásy jsou pro grilování zvláště vhodné, což platí i pro zeleninu s vysokým obsahem vody, jako jsou rajčata a cibule.

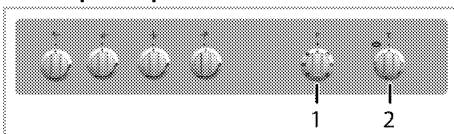
- Pokrmy ke grilování rozmístěte na drátěné mřížce nebo do plechu s drátěnou mřížkou tak, aby pokrytá plocha nepřekračovala rozměry ohněvu.
- Posuňte drátěnou mřížku nebo plech s grilem na požadovanou úroveň v troubě. Pokud grilujete na drátěné mřížce, posuňte na dolní přihrádku pečící plech pro zachytávání tuku. Do tohoto plechu nalijte trochu vody pro snadnější čištění.



Potraviny, které nejsou vhodné ke grilování, představují nebezpečí požáru. Používejte na grilování jen ty potraviny, které jsou vhodné pro intenzivní žár grilu. Neumísťujte potraviny příliš daleko dozadu grilu. Je to nejteplejší část a masné potraviny se mohou vznítit.

Používání elektrické trouby

Zvolte teplotu a provozní režim



1 Funkční spínač

2 Spínač termostatu

1. Nastavte funkční tlačítko na požadovaný provozní režim.
2. Nastavte tlačítko teploty na požadovanou teplotu.
» Trouba se zahřeje na nastavenou teplotu a udržuje ji. Při hazířování zůstane svítit kontrolka teploty.

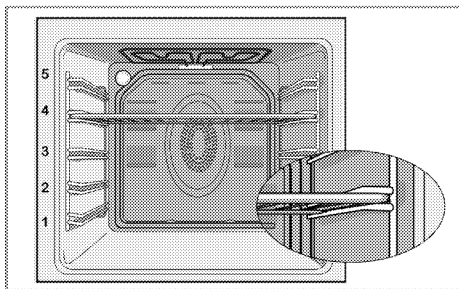
»

Vypněte elektrickou troubu

Přepněte funkční tlačítko a tlačítko teploty do polohy vypnutí (nahore).

Polohy přihrádek (pro modely s drátěnou mřížkou)

Je nezbytné umístit drátěnou mřížku správně na přihrádku. Drátěnou mřížku je nutné zasunout mezi přihrádky podle obrázku. Nenechte drátěnou mřížku stát opřenou o zadní stěnu trouby. Drátěnou mřížku posuňte do přední části police a vyrovnejte pomocí dvířek, abyste dosáhli ideálního výkonu grilu.



Provozní režimy

Pořadí provozních režimů uvedených zde se může lišit od výbavy vašeho přístroje.

Horní a dolní ohřev



Horní a dolní ohřev jsou zapnuté. Potraviny se zahřívají současně shora i zdola. Vhodné např. pro koláče, sušenky či koláčky a rendlíky v pečicích formách. Používejte vždy jen jeden plech.

Dolní/horní ohřev s pomocí ventilátoru



Horní ohřev, dolní ohřev s ventilátorem (v zadní stěně) jsou zapnuté. Ventilátor rychle a rovnoměrně rozvádí horký vzduch v troubě. Používejte vždy jen jeden plech.

Horní ohřev s ventilátorem



Horní ohřev a ventilátor (v zadní stěně) jsou zapnuté. Ventilátor lépe rozhání horký vzduch oproti stavu, kdy je zapnutý jen horní ohřev.

Dolní ohřev s ventilátorem



Dolní ohřev a ventilátor (v zadní stěně) jsou zapnuté. Ventilátor lépe rozhání horký vzduch oproti stavu, kdy je zapnutý jen dolní ohřev.



Tato funkce musí být použita rovněž pro snadné parní čištění.

Funkce s ventilátorem



Trouba se nezahřívá. Funguje pouze ventilátor (v zadní stěně). Zmražené potraviny se rozmrazuje pomalu při pokojové teplotě, upečené potraviny se ochladí.

Ohřev s ventilátorem



Funguje ohřev s ventilátorem (v zadní stěně). Ventilátor rychle a rovnoměrně rozvádí horký vzduch v troubě. Ve většině případů není předehřívání nutné. Vhodné pro pečení vašich pokrmů na různých úrovních přihrádek. Vhodné pro použití více plechů.



Tato funkce musí být použita rovněž pro snadné parní čištění.

Plný gril



Je zapnutý velký gril ve stropu trouby. Hodí se na grilování velkého množství masa.

- Vložte velké nebo středně velké části na správnou polici pod gril pro grilování.
- Nastavte teplotu na maximum.
- V polovině doby grilování potraviny otočte.

Pečení a rožnění



1. police v troubě je **spodní** police.

Tabulka časů vaření



Časy v této tabulce jsou míněny jako průvodce. Časy se mohou lišit v závislosti na teplotě potravin, tloušťce, typu a vašich vlastních preferencích vaření.

Nádoba	Počet zásobníků		Poloha přihrádky	Teplota (°C)	Čas pečení (cca min.)
Koláče na plechu*	Jeden zásobník		3	175	30 ... 45
Koláč ve formě*	Jeden zásobník		2	175	30 ... 50
Koláče v pečicím papíru*	Jeden zásobník		3	160 ... 170	25 ... 30
Koláč*	Jeden zásobník		3	180 ... 200	10 ... 20
Sušanky*	Jeden zásobník		3	160 ... 170	20 ... 30
Pečivo*	Jeden zásobník		3	200	20 ... 30
Hutné pečivo*	Jeden zásobník		3	190	20 ... 35
Kvasnice*	Jeden zásobník		3	190	20 ... 40
Lasagne*	Jeden zásobník		2	180	25 ... 45
Pizza*	Jeden zásobník		1	200	10 ... 20
Hovězí steak (ceý) / Rožnění	Jeden zásobník		2	25 min. 220, potom 180 ... 190	80 ... 100
Jehněčí kýta (v hrnci)	Jeden zásobník		2	25 min. 220, potom 190	70 ... 90
Rožněné kuře	Jeden zásobník		2	15 min. 250/max. potom 190	55 ... 65
Turquie (na plátky)	Jeden zásobník		3	25 min. 220, potom 190	70 ... 120
Ryba	Jeden zásobník		3	200	20 ... 30

Když pečete se 2 plechy najednou, umístěte hluboký plech na horní polici a druhý plech na dolní polici.
 * Doporučujeme provádět předehřívání u všech potravin.

(**) Při pečení s nutným předehříváním předehřívajte na začátku pečení, dokud nezhasne kontrolka termostatu.

Tipy pro pečení

- pokud je koláč příliš suchý, zvýšte teplotu o cca 10 a zkraťte dobu pečení.
- Pokud je koláč vlhký, použijte méně tekutiny a snižte teplotu o 10°C.
- Pokud je koláč na povrchu příliš tmavý, položte ho na nižší polici, snižte teplotu a prodlužte dobu pečení.
- Pokud je dobře pečen uvnitř, ale lepkavý na povrchu, použijte méně tekutiny, snižte teplotu a prodlužte dobu pečení.

Tipy pro pečení pečiva

- Pokud je pečivo příliš suché, zvýšte teplotu o cca 10 a zkraťte dobu pečení. Navlhčete vrstvy těsta omáčkou z mléka, oleje, vajec a jogurtu.
- Pokud se pečivo peče příliš dlouho, dávejte pozor, aby tloušťka těsta nepřesáhla hloubku plechu.
- Pokud je povrch pečiva tmavne, ale spodní část není pečená, zkontrolujte, zda množství omáčky, kterou jste použili, není na spodní straně pečiva příliš velké. Snažte se rozprostřít omáčku rovnoměrně mezi vrstvy těsta a na ně pro rovnoměrné zbarvení.



Pečivo pečte v souladu s režimem a teplotou uvedenými v tabulce pečení. Pokud spodní část stále není dostatečně zbarvená, umístěte je příště o jednu úroveň níže.

Tipy na pečení zeleniny

- Pokud zeleninové jídlo ztrácí šťávu a začíná být vysušené, vařte ho v pánvi s poklící místo na plechu. v uzavřených nádobách jídlo zůstane šťavnaté.
- Pokud se zeleninové jídlo nemůže dovařit, uvařte zeleninu nebo ji připravte jako konzervované jídlo a pak ji dejte do trouby.

Ovládání grilu



VAROVÁNÍ!

Zavírejte dvířka trouby během grilování.
Horké povrchy mohou způsobovat popáleniny!

Zapínání grilu

1. Nastavte funkční tlačítko na požadovaný symbol grilu.
 2. Pak zvolte požadovanou teplotu grilování.
 3. Podle potřeby předehřívajte asi 5 minut.
- » Kontrolka teploty se rozsvítí.

Vypínání grilu

1. Otočte funkčním tlačítkem do polohy vypnout (nahore).



Potraviny, které nejsou vhodné ke grilování, představují nebezpečí požáru. Používejte na grilování jen ty potraviny, které jsou vhodné pro intenzivní žár grilu.
Neumísťujte potraviny příliš daleko dozadu grilu. Je to nejteplejší část a mastné potraviny se mohou vznítit.

Tabulka časů pečení pro grilování



Grilování s elektrickým grilem

Potraviny	Úroveň zasunutí	Čas grilování (přibl.)
Ryba	4..5	20...25 min. #
Krájené kuře	4..5	25...35 min.
Kousky jehněčího	4..5	20...25 min.
Roastbeef	4..5	25...30 min. #
Kousky telecího	4..5	25...30 min. #
Toastový chléb	4	1...2 min.
# podle tloušťky		


7 Údržba a péče


Obecné informace

Životnost výrobku se prodlouží a případné problémy se omezí, pokud je výrobek pravidelně čištěn.

	NEBEZPEČÍ: Odpojte zařízení od napájení, než začnete s údržbou a čištěním. Hrozí riziko zásahu elektrickým proudem!
	NEBEZPEČÍ: Před čištěním nechte přístroj vychladnout. Horké povrchy mohou způsobovat popáleniny!

- Výrobek po každém použití pečlivě vyčistěte. Takto snadněji odstraníte nečistoty z pečení, které se takto nebudou při příštím použití přístroje dále připalovat.
- Pro čištění přístroje nejsou potřeba žádná zvláštní čisticí prostředky. Výrobek omyjte vodou s mycím přípravkem a hadříkem nebo houbou a osušte ji suchým hadrem.
- Vždy zkontrolujte, zda byla jakákoli zbylá kapalina po čištění pečlivě otřena a a případná vylitá kapalina vysušena.
- K čištění nerezových ploch a rukojeti nepoužívejte čisticí prostředky obsahující kyselinu nebo chlorid. K otření těchto částí použijte měkký hadřík s tekutým rozpouštědlem (ne brusným) a dávejte pozor, abyste čistili jedním směrem.

	Povrch se může poškodit vlivem některých saponátů nebo čisticích materiálů. Nepoužívejte agresivní saponáty, čisticí prášek/mléko ani ostré předměty při čištění.
--	--

	Na čištění spotřebiče nepoužívejte parní čističe, mohlo by dojít k zásahu elektrickým proudem.
--	--


Čištění varné desky.

Plynové varné desky

1. Sejměte a vyčistěte držáky hrnců a víčka hořáků.
2. Vyčistěte varnou desku.
3. Nasaďte zpět víčka hořáků a zkontrolujte, zda sedí správně na svém místě.
4. Při umísťování vrchních mřížek věnujte pozornost správnému umístění držáků hrnců, aby hořáky byly uprostřed.

Čištění ovládacího panelu

Vyčistěte ovládací panel a tlačítka vlhkým hadříkem a otřete je do sucha.

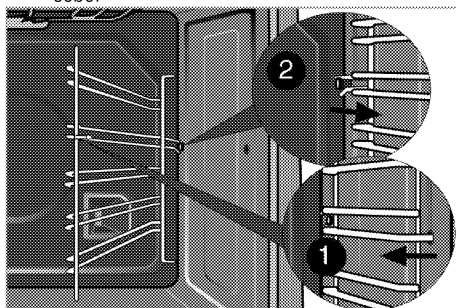
	Při čištění ovládacího panelu nesnímejte tlačítka/ovládače. Ovládací panel by se mohl poškodit.
---	--

Čištění trouby

Čištění boční stěny

(Tato funkce je volitelná. Nemusí být součástí vašeho výrobku.)

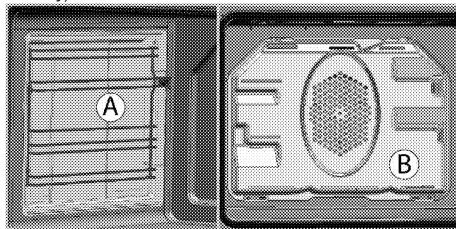
1. Sejměte přední stranu boční police tak, že ji zatáhnete v opačném směru od boční stěny.
2. Vyjměte boční polici zcela tím, že ji přitáhnete k sobě.



Katalytické stěny

(Tato funkce je volitelná. Nemusí být součástí vašeho výrobku.)

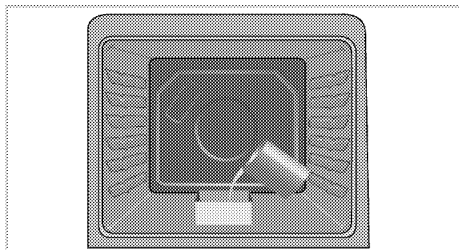
Vnitřní boční stěny (A) a/nebo zadní stěna (B) vašeho výrobku mohou být potažené katalytickým smaltem. Katalytické stěny mají světle matovanou barvu a porézní povrch. Katalytické stěny trouby se nesmějí čistit. Porézní povrch katalytických stěn se čistí sám tím, že pohlcuje a přeměňuje prskající tuk (pára a oxid uhličitý).



Snadné parní čištění

Zajišťuje snadné čištění, protože nečistota (pokud není příliš stará) se změkčí párou, která se vytvoří uprostřed trouby a zkondenzované kapky vody omyjí vnitřní povrch trouby.

1. Z trouby vyjměte všechna příslušenství.
2. Do spodní části trouby vložte kovovou nádobu. Do nádoby nalijte 400 ml vody.



3. Nastavte troubu do režimu snadné čištění parou a běh na 200 ° C po dobu 25 minut.
4. Otevřete dveře a vlhkou houbou nebo hadříkem otřete vnitřní povrchy trouby.
5. Výrobek omyjte vodou s mycím přípravkem a hadříkem nebo houbou a osušte ji suchým hadrem.

Čištění dvířek trouby

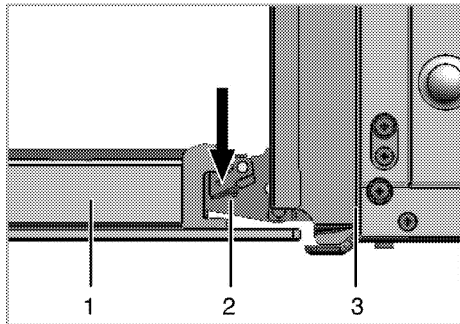
Chcete-li vyčistit dvířka trouby, použijte teplou vodu se saponátem, měkký hadřík nebo houbičku a vyčistěte výrobek, pak jej otřete suchým hadříkem.



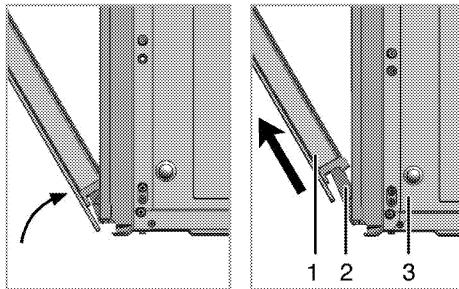
K čištění dvířek trouby nepoužívejte žádná hrubá brusná čistidla ani drátěnky. Mohou poškrábat povrch a poškodit sklo.

Odstranění dvířka trouby.

1. Otevřete přední dvířka (1).
2. Otevřete svorky v krytu pantu (2) na pravé a levé straně předních dveří tím, že zatlačíte dle znázornění na obrázku.



- 1 Přední dveře
- 2 Závěs
- 3 trouba



3. Posuňte přední dveře na půl cesty.
4. Demontujte přední dvířka tak, že zatlačíte nahoru, pokud je chcete uvolnit z pravého a levého závěsu.



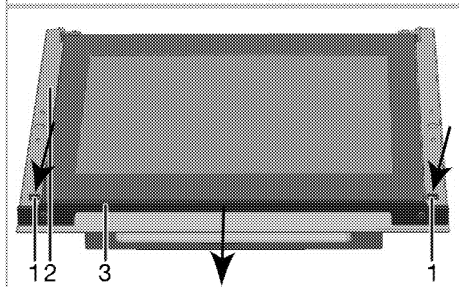
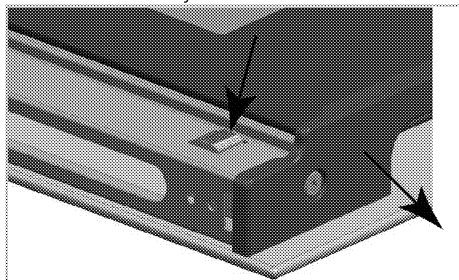
Při instalaci dvířek postupujte podle stejných kroků jako při jejich odstranění, jen v obráceném pořadí. Nezapomeňte zavřít svorky u krytu závěsu při opětovné montáži dveří.

Odstranění vnitřního skla dvířek

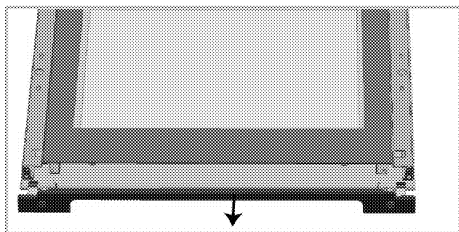
(Tato funkce je volitelná. Nemusí být součástí vašeho výrobku.)

Vnitřní tabulku skla dvířek trouby lze demontovat z důvodu vyčištění.

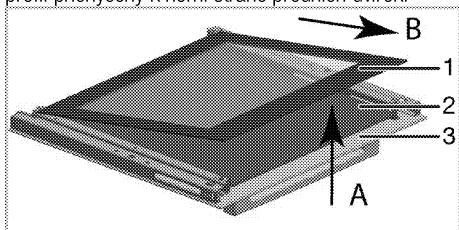
Otevřete dvířka trouby.



- 1 Úchytka
- 2 Rám
- 3 Profil



Stiskněte úchytky (1) a zároveň vysuňte profil (3) k sobě tak, jak je znázorněno na obrázku. Tím uvolníte profil přichycený k horní straně předních dveří.

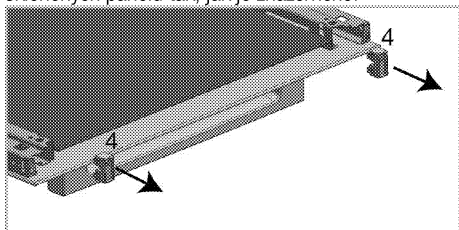


- 1 Nejvnitřnější skleněný panel
- 2 Vnitřní skleněný panel*
- 3 Vnější skleněný panel

* (Nemusí být součástí vašeho výrobku.)

Lehce nadzvedněte nejvnitřnější skleněný panel (1) ve směru „A“ a vytáhněte jej ve směru „B“ tak, jak je znázorněno na obrázku.

Je-li váš výrobek vybavený vnitřním skleněným panelem, zatáhněte za spojovací držák, který spojuje jednotlivé prvky uprostřed, abyste jej uvolnili od ostatních skleněných panelů tak, jak je znázorněno.

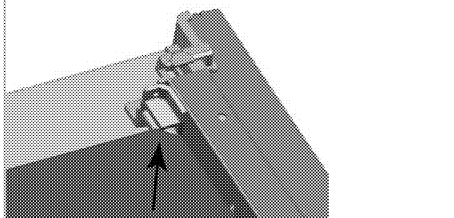


- 4 Spojovací držák skel*

* (Nemusí být součástí vašeho výrobku.)

Stejný postup zopakujte při vyjmutí vnitřního skleněného panelu (2). Prvním krokem k sestavení dveří je reinstalace vnitřního skleněného panelu (2). Umístěte skleněný panel tak, jak je znázorněno na obrázku, aby zapadl do plastové drážky.

i V opačném případě nebude skleněný panel dostatečně upevněn a může být poškozen vibracemi nebo se rozbít.



Při instalaci nejvnitřnějšího skleněného panelu (1) se ujistěte, že potištěná strana panelu směřuje k vnitřnímu skleněnému panelu.

Je důležité, aby byly dolní rohy nejvnitřnějšího skleněného panelu usazeny v plastových drážkách.

i V opačném případě nebude skleněný panel dostatečně upevněn a může být poškozen vibracemi nebo se rozbít.

Nezapomeňte umístit spojovací díly na jejich místa. Nakonec stiskněte úchytky na profilu, aby zapadly zpátky na svá místa.

Výměna vnitřní žárovky



NEBEZPEČÍ:

Před výměnou žárovky trouby zkontrolujte, zda je výrobek odpojen a vychladl, aby nedošlo k úrazu elektrickým proudem.
Horké povrchy mohou způsobovat popáleniny!



Žárovka je zvláštní typ, který odolává teplotám do 300 °C. Podrobnosti najdete v *Technické parametry, strana 12*. Žárovky v troubě získáte od autorizovaného servisního pracovníka.



Poloha žárovky se může lišit oproti obrázku.



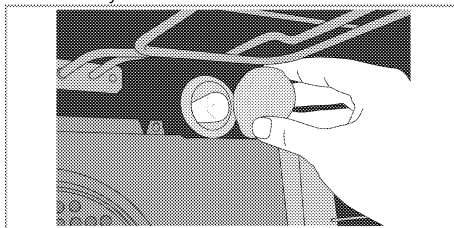
Žárovka použitá v tomto spotřebiči není vhodná k osvětlení místností. Zamýšleným účelem této žárovky je pomoci uživateli vidět na potraviny.



Žárovky použité v tomto spotřebiči musí vydržet extrémní fyzické podmínky, např. teploty nad 50 °C.

Pokud je vaše trouba vybavena kulatou žárovkou:

1. Odpojte výrobek na napájení.
2. Sejměte skleněný kryt otočením proti směru hodinových ručiček.



3. Sejměte světlo trouby proti směru hodinových ručiček a vyměňte za nové.
4. Nainstalujte skleněný kryt.

8 Odstraňování potíží

Z trouby za provozu vychází pára.

- Je normální, že při provozu uniká pára. >>> *Nejde o závadu.*

Při zahřívání a ochlazování výrobek vydává kovový zvuk.

- Když se zahřejí kovové součástky, mohou se rozpínat a způsobovat hluk. >>> *Nejde o závadu.*

Výrobek nehřeje.

- Hlavní pojistka je vadná nebo uvolněná. >>> *Zkontrolujte pojistky v pojistkové skříni. Pokud je to nutné, vyměňte je nebo znovu aktivujte.*
- Výrobek není zapojen do (uzemněné) zásuvky. >>> *Zkontrolujte zapojení zástrčky.*

Světlo trouby nefunguje.

- Je vadná žárovka v troubě. >>> *Vyměňte žárovku v troubě.*
- Elektrina je odpojená. >>> *Zkontrolujte, zda je připojená elektrina. Zkontrolujte pojistky v pojistkové skříni. Pokud je to nutné, vyměňte je nebo znovu aktivujte.*

Trouba nehřeje.

- Funkce anebo Teplota nejsou nastavené. >>> *Nastavte funkci a teplotu tlačítkem Funkce anebo Teplota.*
- Elektrina je odpojená. >>> *Zkontrolujte, zda je připojená elektrina. Zkontrolujte pojistky v pojistkové skříni. Pokud je to nutné, vyměňte je nebo znovu aktivujte.*

Chybí zapalovací jiskra.

- Není proud. >>> *Zkontrolujte pojistky v pojistkové skříni.*

Není plyn.

- Je uzavřený hlavní přívod plynu. >>> *Otevřete přívod plynu.*
- Plynová trubka je ohnutá. >>> *Nainstalujte plynovou trubku správně.*

Hořáky nehoří správně nebo vůbec.

- Hořáky jsou špinavé. >>> *Vyčistěte součásti hořáku.*
- Hořáky jsou vlhké. >>> *Osušte součásti hořáku.*
- Víčko hořáku není namontováno bezpečně. >>> *Namontujte víčko hořáku bezpečně.*
- Je uzavřený přívod plynu. >>> *Otevřete přívod plynu.*
- Plynová bomba je prázdná (při používání LPG). >>> *Vyměňte plynovou bombu.*



Pokud nemůžete odstranit poruchu ani poté, co jste postupovali podle pokynů obsažených v této části, obraťte se na autorizovaného servisního pracovníka nebo prodejce, u něhož jste výrobek zakoupili. Nikdy se nepokoušejte opravovat vadný výrobek sami.

ZÁKAZNICKÉ CENTRUM BEKO

BEKO Spolka Akcyjna, org. sl. Lužná 716/2, 160 00 Praha 6 – Vokovice

7 dní v týdnu od 8:00 do 18:00

pomůže vyřešit záruční, případně pozáruční opravy výrobků BEKO

kontakt	220 105 371
	800 350 333
e-mail	zakaznickecentrum@bekosa.cz
Objednávka opravy spotřebiče online	www.bekocr.cz
5 LET ZÁRUKY – podmínky a registrace online	www.bekocr.cz

ZÁRUČNÍ PODMÍNKY ČR

a) Platný a čitelný prodejní doklad, který obsahuje datum prodeje, model spotřebiče a označení prodejce opravňuje uživatele využít záruku na výrobek v souladu s ustanoveními Občanského zákoníku, v platném znění.

b) Není-li stanoveno jinak, je záruční doba na výrobek 24 měsíců. Začíná plynout ode dne převzetí věci kupujícím vyjma případu, kdy je nutné uvedení do provozu oprávněnou firmou. V tom případě začne záruční doba plynout ode dne uvedení výrobku do provozu.

Výrobky vyžadující odborné zapojení: plynové a kombinované sporáky a varné desky, dále všechny spotřebiče, které nejsou vybaveny přívodním elektrickým kabelem zakončeným vidlicí. Zapojení spotřebiče je službou hrazenou zákazníkem. Dovozece nezodpovídá za poškození vzniklé chybnou instalací a chybným zapojením výrobku.

c) Záruka vyplývající z těchto záručních podmínek může být uplatněna pouze na území České republiky a týká se pouze a výhradně spotřebičů dovezených do ČR prostřednictvím naší společnosti, BEKO Spolka Akcyjna, org. sl. Lužná 716/2, 160 00 Praha 6 – Vokovice, která je oficiálním zastoupením značky BEKO pro Českou republiku.

d) Záruka je poskytována kupujícímu (konečnému spotřebiteli) v souladu se zákonem č. 634/1992 Sb., o ochraně spotřebitele v platném znění, na výrobek sloužící běžnému používání v domácnosti. Výrobek není určen k průmyslovému použití a poskytování služeb. Spotřebiče, které nejsou používány v domácnosti, nejsou předmětem záruky (hotelová a restaurační zařízení, školská zařízení, úklidové firmy, atd...)

e) Práva ze zodpovědnosti za vady výrobku se uplatňují u prodávajícího. Záruční oprava se vztahuje výhradně na závady, které vzniknou v době platnosti záruční lhůty a to výrobní vadou. Takto vzniklé závady je oprávněn odstranit pouze autorizovaný servis.

O odstranění vad výrobku v záruční lhůtě je kupující oprávněn požádat prodejce nebo Zákaznické centrum BEKO tel: 220 105 371 (800 350 333) http://www.bekocr.cz/oprava_spotrebice.

f) Zákazník musí při objednání opravy nahlásit datum prodeje, model spotřebiče, výrobní a produktové číslo, které se nachází na výrobním štítku každého spotřebiče. Bez nahlášení těchto údajů nebude moci být požadavek zákazníka na bezplatnou opravu vyřešen. Zákazník je také dále povinen poskytnout autorizovanému servisu součinnost potřebnou k ověření existence případně odstranění reklamované vady.

g) Při návštěvě servisního technika kupující prokáže existenci záruky předložením čitelného prodejního dokladu nebo certifikátu 5 let záruky BEKO. Po provedení záruční opravy jsou autorizovaná servisní střediska nebo prodávající povinni vydat kupujícímu čitelnou kopii opravního listu nebo doklad o uplatnění práva záruky a době trvání opravy. Po dobu záruky je kupující povinen uschovat veškeré doklady související s koupí a servisem výrobku. Opravní list slouží k prokazování práv kupujícího, proto je ve vlastním zájmu kupujícího si zkontrolovat před podpisem veškeré údaje. Záruční lhůta se v případech, kdy závada znemožnila používání výrobku, prodlužuje o dobu, kdy kupující uplatnil nárok na záruční opravu u autorizovaného střediska až do dne převzetí opraveného výrobku.

h) Výrobek musí být instalován a provozován podle návodu k obsluze a platných norem. Funkce chladniček, mrazniček a jiných kombinací je zaručena při okolní teplotě od +10°C do +32°C.

i) Touto zárukou nejsou dotčena práva kupujícího, která se ke koupi věci váží podle zvláštních právních předpisů.

j) Společnost BEKO Spolka Akcyjna, org. sl. Lužná 716/2, 160 00 Praha 6 – Vokovice nabízí spotřebitelům na vybrané modely prodlouženou záruku vcelkové délce trvání 5 let. Předmětem této nadstandardní záruky je bezplatné odstraňování výrobních vad po dobu následujících 36 měsíců od skončení zákonné dvouleté záruční lhůty. Podmínkou získání certifikátu prodloužené záruky je splnění veškerých podmínek uvedených na www.bekocr.cz. O odstranění vad výrobku v prodloužené záruční lhůtě je kupující oprávněn požádat Zákaznické centrum BEKO tel.: 220 105 371 (800 350 333) <http://www.bekocr.cz/oprava-spotrebice>.

Při opravě v rámci prodloužené záruky je uživatel povinen autorizovanému servisu předložit platný certifikát prodloužené záruky a prodejní doklad.

V době trvání prodloužené záruky bude oprávněná reklamacie řešena opravou nebo dodáním náhradního dílu. V případě neodstranitelné vady zajistí dovozce přímo u zákazníka výměnu výrobku za nový. Nárok na výměnu uplatňuje zákazník po zaslání všech potřebných dokladů /platný certifikát, doklad o zakoupení, vyjádření servisního technika/ na e-mail: reklamacie@bekosa.cz nebo poštou na adresu BEKO Spolka Akcyjna, org. sl. Lužná 716/2, 160 00 Praha 6 – Vokovice. Spotřebitel nemá právo v průběhu prodloužené záruky na vrácení kupní částky. Uplatnění práva na bezplatné odstraňování výrobních vad podléhá zde uvedeným všeobecným záručním podmínkám.

Právo na uplatnění záruky zaniká pokud:

- není výrobek používán v souladu s návodem
- došlo k mechanickému poškození výrobku cizím zaviněním, při nesprávné údržbě nebo jiným zanedbáním péče o výrobek
- byl na výrobku proveden neodborný zásah neoprávněnou osobou
- plynové spotřebiče nebo spotřebiče s napájením 400V nebyly uvedeny do provozu odbornou firmou
- došlo k mechanickému poškození při přepravě
- je vada způsobená vnějšími podmínkami, jako jsou např. poruchy v elektrické síti nebo vadná bytová instalace, nevhodnými provozními podmínkami, poškození živlem
- je výrobek vadný z důvodu použití neoriginálního příslušenství a náhradních dílů
- kuchyňská linka, do které je výrobek zabudovaný, nesplňuje technické parametry
- záruka se dále nevztahuje na preventivní údržbu popsanou v návodu k obsluze, popřípadě závady způsobené nevhodnou manipulací, na opotřebením vzniklé běžným používáním, mechanické poškození skleněných a plastových komponentů
- záruka se nevztahuje na návštěvu technika za účelem poradenství, preventivní kontrolu stavu spotřebiče, výměnu náhradního dílu, který nevyžaduje odborný zásah, záměna směru otvírání dveří chladniček

