

# Instructions for use

## WASHING MACHINE

GB

**GB**

English, 1

**CZ**

Česky, 13

**RO**

Română, 25

**DE**

Deutsch, 37

**SK**

Slovensky, 49

**IWSC 51051**

### Contents

#### Installation, 2-3

Unpacking and levelling  
Connecting the electricity and water supplies  
The first wash cycle  
Technical data

#### Description of the washing machine and starting a wash cycle, 4-5

Control panel  
Indicator lights  
Starting a wash cycle

#### Wash cycles, 6

Table of wash cycles

#### Personalisation, 7

Setting the temperature  
Setting the spin speed  
Functions

#### Detergents and laundry, 8

Detergent dispenser drawer  
Bleach cycle  
Preparing the laundry  
Garments requiring special care  
Load balancing system

#### Precautions and tips, 9

General safety  
Disposal

#### Care and maintenance, 10

Cutting off the water or electricity supply  
Cleaning the washing machine  
Cleaning the detergent dispenser drawer  
Caring for the door and drum of your appliance  
Cleaning the pump  
Checking the water inlet hose

#### Troubleshooting, 11

#### Service, 12

# Installation

GB

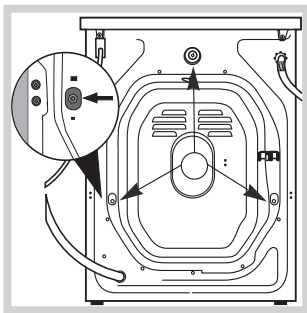
! This instruction manual should be kept in a safe place for future reference. If the washing machine is sold, transferred or moved, make sure that the instruction manual remains with the machine so that the new owner is able to familiarise himself/herself with its operation and features.

! Read these instructions carefully: they contain vital information relating to the safe installation and operation of the appliance.

## Unpacking and levelling

### Unpacking

1. Remove the washing machine from its packaging.
2. Make sure that the washing machine has not been damaged during the transportation process. If it has been damaged, contact the retailer and do not proceed any further with the installation process.



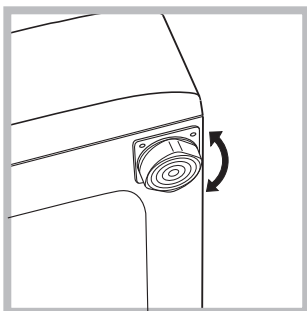
3. Remove the **3** protective screws (used during transportation) and the rubber washer with the corresponding spacer, located on the rear part of the appliance (see figure).

4. Close off the holes using the plastic plugs provided.
5. Keep all the parts in a safe place: you will need them again if the washing machine needs to be moved to another location.

! Packaging materials should not be used as toys for children.

### Levelling

1. Install the washing machine on a flat sturdy floor, without resting it up against walls, furniture cabinets or anything else.

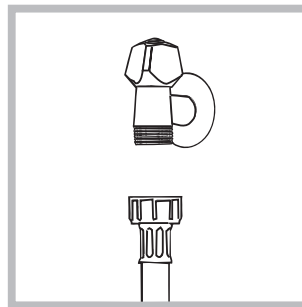


2. If the floor is not perfectly level, compensate for any unevenness by tightening or loosening the adjustable front feet (see figure); the angle of inclination, measured in relation to the worktop, must not exceed 2°.

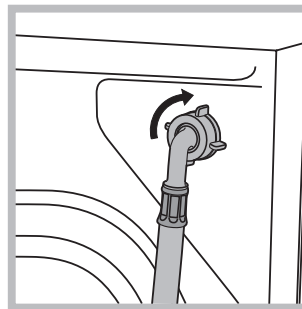
Levelling the machine correctly will provide it with stability, help to avoid vibrations and excessive noise and prevent it from shifting while it is operating. If it is placed on carpet or a rug, adjust the feet in such a way as to allow a sufficient ventilation space underneath the washing machine.

## Connecting the electricity and water supplies

### Connecting the water inlet hose



1. Connect the supply pipe by screwing it to a cold water tap using a  $\frac{3}{4}$  gas threaded connection (see figure). Before performing the connection, allow the water to run freely until it is perfectly clear.



2. Connect the inlet hose to the washing machine by screwing it onto the corresponding water inlet of the appliance, which is situated on the top right-hand side of the rear part of the appliance (see figure).

3. Make sure that the hose is not folded over or bent.

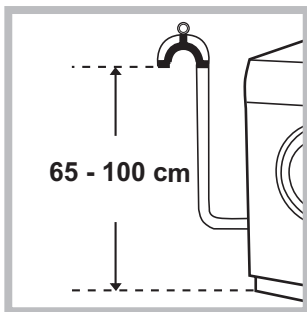
! The water pressure at the tap must fall within the values indicated in the Technical details table (see next page).

! If the inlet hose is not long enough, contact a specialised shop or an authorised technician.

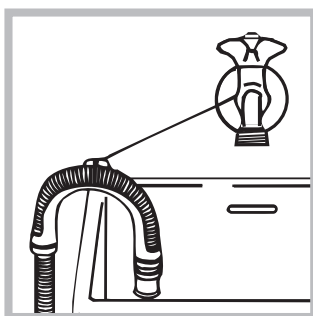
! Never use second-hand hoses.

! Use the ones supplied with the machine.

### Connecting the drain hose



Connect the drain hose, without bending it, to a drainage duct or a wall drain located at a height between 65 and 100 cm from the floor;



alternatively, rest it on the side of a washbasin or bathtub, fastening the duct supplied to the tap (see figure). The free end of the hose should not be underwater.

! We advise against the use of hose extensions; if it is absolutely necessary, the extension must have the same diameter as the original hose and must not exceed 150 cm in length.

### Electrical connections

Before plugging the appliance into the electricity socket, make sure that:

- the socket is earthed and complies with all applicable laws;
- the socket is able to withstand the maximum power load of the appliance as indicated in the Technical data table (see opposite);
- the power supply voltage falls within the values indicated in the Technical data table (see opposite);
- the socket is compatible with the plug of the washing machine. If this is not the case, replace the socket or the plug.

! The washing machine must not be installed outdoors, even in covered areas. It is extremely dangerous to leave the appliance exposed to rain, storms and other weather conditions.

! When the washing machine has been installed, the electricity socket must be within easy reach.

! Do not use extension cords or multiple sockets.

! The cable should not be bent or compressed.

! The power supply cable must only be replaced by authorised technicians.

Warning! The company shall not be held responsible in the event that these regulations are not respected.

### The first wash cycle

Once the appliance has been installed, and before you use it for the first time, run a wash cycle with detergent and no laundry, using the wash cycle 2.

#### Technical data

<b>Model</b>	IWSC 51051
<b>Dimensions</b>	width 59,5 cm height 85 cm depth 44 cm
<b>Capacity</b>	from 1 to 5 kg
<b>Electrical connections</b>	please refer to the technical data plate fixed to the machine
<b>Water connection</b>	maximum pressure 1 MPa (10 bar) minimum pressure 0.05 MPa (0.5 bar) drum capacity 40 litres
<b>Spin speed</b>	up to 1000 rotations per minute
<b>Test wash cycles in accordance with directives 1061/2010 and 1015/2010</b>	Programme 2: Cotton standard 60°C; Programme 3: Cotton standard 40°C.



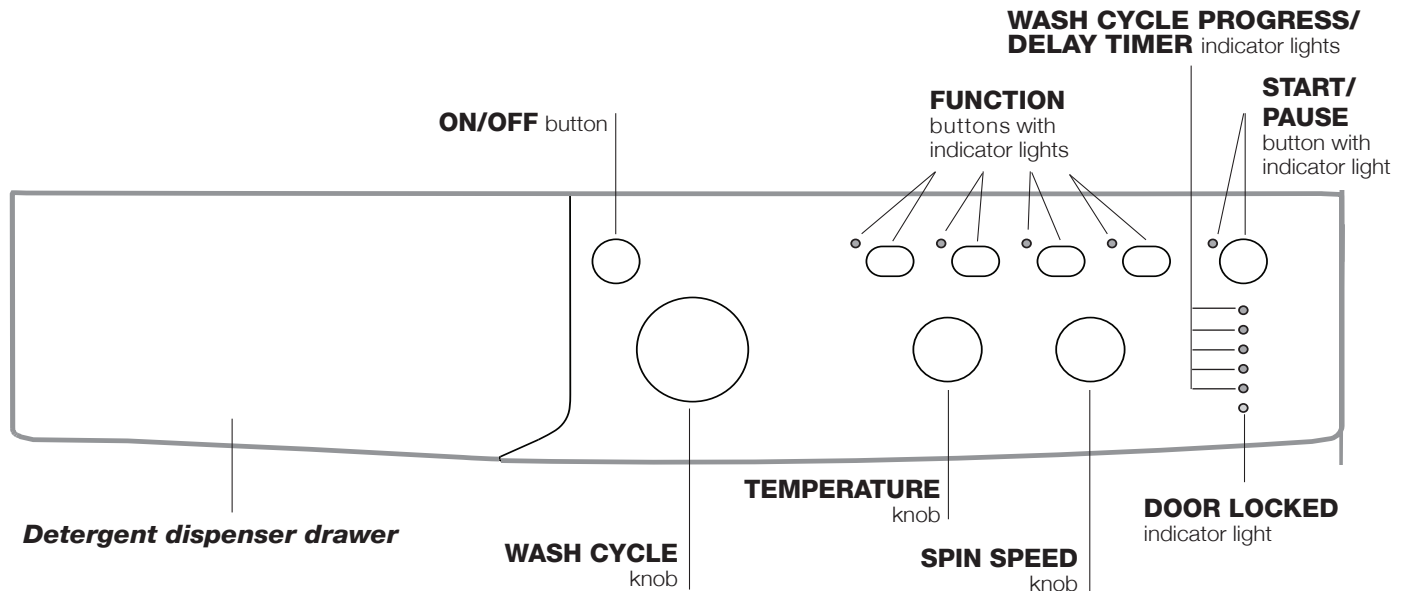
This appliance conforms to the following EC Directives:

- 2004/108/CE (Electromagnetic Compatibility)
- 2002/96/EC
- 2006/95/EC Low Voltage)

# Description of the washing machine and starting a wash cycle

## Control panel

GB



**Detergent dispenser drawer:** used to dispense detergents and washing additives (see “Detergents and laundry”).

**ON/OFF** button: switches the washing machine on and off.

**WASH CYCLE** knob: programmes the wash cycles. During the wash cycle, the knob does not move.

**FUNCTION** buttons with indicator light: used to select the available functions. The indicator light corresponding to the selected function will remain lit.

**TEMPERATURE** knob: sets the temperature or the cold wash cycle (see “Personalisation”).


**SPIN SPEED** knob: sets the spin speed or exclude the spin cycle completely (see “Personalisation”).

**WASH CYCLE PROGRESS/DELAY TIMER** indicator lights: used to monitor the progress of the wash cycle. The illuminated indicator light shows which phase is in progress.

If the Delay Timer function has been set, the time remaining until the wash cycle starts will be indicated (see next page).

**DOOR LOCKED** indicator light: indicates whether the door may be opened or not (see next page).

**START/PAUSE** button with indicator light: starts or temporarily interrupts the wash cycles.

**N.B.** To pause the wash cycle in progress, press this button; the corresponding indicator light will flash orange, while the indicator light for the current wash cycle phase will remain lit in a fixed manner. If the DOOR LOCKED  indicator light is switched off, the door may be opened.

To start the wash cycle from the point at which it was interrupted, press this button again.

### Standby mode

This washing machine, in compliance with new energy saving regulations, is fitted with an automatic standby system which is enabled after about 30 minutes if no activity is detected. Press the ON-OFF button briefly and wait for the machine to start up again.

Consumption in off-mode: 1W

Consumption in Left-on: 1W

## Indicator lights

The indicator lights provide important information. This is what they can tell you:

### Delayed start

If the DELAY TIMER function has been activated (see “Personalisation”), after the wash cycle has been started the indicator light corresponding to the selected delay period will begin to flash:



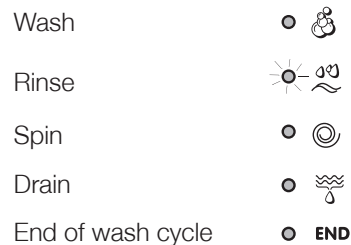
As time passes, the remaining delay will be displayed and the corresponding indicator light will flash:



The set programme will start once the selected time delay has expired.

## Wash cycle phase indicator lights

Once the desired wash cycle has been selected and has begun, the indicator lights switch on one by one to indicate which phase of the cycle is currently in progress.



## Function buttons and corresponding indicator lights

When a function is selected, the corresponding indicator light will illuminate.

If the selected function is not compatible with the programmed wash cycle, the corresponding indicator light will flash and the function will not be activated.

If the selected function is not compatible with another function which has been selected previously, the indicator light corresponding to the first function selected will flash and only the second function will be activated; the indicator light corresponding to the enabled option will remain lit.


## Door locked indicator light

When the indicator light is on, the porthole door is locked to prevent it from being opened; make sure the indicator light is off before opening the door (wait approximately 3 minutes). To open the door during a running wash cycle, press the START/PAUSE button; the door may be opened once the DOOR LOCKED indicator light turns off.

## Starting a wash cycle

1. Switch the washing machine on by pressing the ON/OFF button. All indicator lights will switch on for a few seconds, then they will switch off and the START/PAUSE indicator light will pulse.
2. Load the laundry and close the door.
3. Set the WASH CYCLE knob to the desired programme.
4. Set the washing temperature (see “Personalisation”).
5. Set the spin speed (see “Personalisation”).
6. Measure out the detergent and washing additives (see “Detergents and laundry”).
7. Select the desired functions.
8. Start the wash cycle by pressing the START/PAUSE button and the corresponding indicator light will remain lit in a fixed manner, in green.



To cancel the set wash cycle, pause the machine by pressing the START/PAUSE button and select a new cycle.

9. At the end of the wash cycle the **END** indicator light will switch on. The door can be opened once the DOOR LOCKED  indicator light turns off. Take out your laundry and leave the appliance door ajar to make sure the drum dries completely. Switch the washing machine off by pressing the ON/OFF button.

# Wash cycles

GB

**Table of wash cycles**

Wash cycles	Description of the wash cycle	Max. temp. (°C)	Max. speed (rpm)	Detergents				Max. load (kg)	Residual dampness %	Energy consumption kWh	Total water lt	Cycle duration
				Pre-wash	Wash	Fabric softener	Bleach					
<b>Daily</b>												
1	Cotton with prewash: extremely soiled whites.	90°	1000	●	●	●	-	5	62	1,68	61	145'
2	Cotton Standard 60° (1): heavily soiled whites and resistant colours.	60° (Max. 90°)	1000	-	●	●	●	5	62	0,89	45	175'
3	Cotton Standard 40° (2): lightly soiled whites and delicate colours.	40°	1000	-	●	●	●	5	62	0,75	60	165'
4	Synthetics: heavily soiled resistant colours.	60°	800	-	●	●	●	2,5	44	0,70	40	100'
4	Synthetics (3): lightly soiled resistant colours.	40°	800	-	●	●	●	2,5	44	0,47	38	90'
5	Mix Colored: lightly soiled whites and delicate colours.	40°	1000	-	●	●	●	5	62	0,59	48	80'
<b>20° Zone</b>												
6	Cotton Standard 20°: lightly soiled whites and delicate colours.	20°	1000	-	●	●	●	5	-	-	-	170'
7	Mix Light	20°	800	-	●	●	●	5	-	-	-	120'
8	20' Refresh	20°	800	-	●	●	-	1,5	-	-	-	20'
<b>Special</b>												
9	Silk/Curtains: for garments in silk and viscose, lingerie.	30°	0	-	●	●	-	1	-	-	-	55'
10	Wool: for wool, cashmere, etc.	40°	800	-	●	●	-	1	-	-	-	55'
11	Jeans	40°	800	-	●	●	-	2,5	-	-	-	70'
<b>Sport</b>												
12	Sport Intensive	30°	600	-	●	●	-	2,5	-	-	-	85'
13	Sport Light	30°	600	-	●	●	-	2,5	-	-	-	60'
14	Sport Shoes	30°	600	-	●	●	-	Max. 2 Pairs	-	-	-	55'
<b>Partial wash cycles</b>												
	Rinse	-	1000	-	-	●	●	5	-	-	-	36'
	Spin + Drain	-	1000	-	-	-	-	5	-	-	-	16'

The length of cycle shown on the display or in this booklet is an estimation only and is calculated assuming standard working conditions. The actual duration can vary according to factors such as water temperature and pressure, the amount of detergent used, the amount and type of load inserted, load balancing and any wash options selected.

**1) Test wash cycle in compliance with directive 1061/2010: set wash cycle 2 with a temperature of 60°C.**

This cycle is designed for cotton loads with a normal soil level and is the most efficient in terms of both electricity and water consumption; it should be used for garments which can be washed at 60°C. The actual washing temperature may differ from the indicated value.

**2) Test wash cycle in compliance with directive 1061/2010: set wash cycle 3 with a temperature of 40°C.**

This cycle is designed for cotton loads with a normal soil level and is the most efficient in terms of both electricity and water consumption; it should be used for garments which can be washed at 40°C. The actual washing temperature may differ from the indicated value.

For all Test Institutes:

2) Long wash cycle for cottons: set wash cycle 3 with a temperature of 40°C.

3) Synthetic program along: set wash cycle 4 with a temperature of 40°C.

**Sport Intensive** (wash cycle 12) is for washing heavily soiled sports clothing fabrics (tracksuits, shorts, etc.); for best results, we recommend not exceeding the maximum load indicated in the "Table of wash cycles".

**Sport Light** (wash cycle 13) is for washing lightly soiled sports clothing fabrics (tracksuits, shorts, etc.); for best results, we recommend not exceeding the maximum load indicated in the "Table of wash cycles". We recommend using a liquid detergent and dosage suitable for a half-load.

**Sport Shoes** (wash cycle 14) is for washing sports shoes; for best results, do not wash more than 2 pairs simultaneously.

**The 20° wash cycles** (20° Zone) offer effective washing performance at low temperatures, reducing electricity usage and expenditure while benefitting the environment. The 20° wash cycles meet all requirements:

**Cotton Standard 20°** (programme 6) ideal for heavily soiled cotton loads. The effective performance levels achieved at cold temperatures, which are comparable to washing at 40°, are guaranteed by a mechanical action which operates at varying speed, with repeated and frequent peaks.

**Mix Light** (programme 7) ideal for mixed loads (cotton and synthetics) with a normal soil level. The effective performance levels achieved at cold temperatures are guaranteed by a mechanical action which operates at varying speed, across set average intervals.

**20' Refresh** (programme 8) ideal for refreshing and washing lightly soiled garments in a few minutes. It lasts just 20 minutes and therefore saves both time and energy. It can be used to wash different types of fabrics together (except for wool and silk), with a maximum load of 1.5 kg.

## Setting the temperature

Turn the TEMPERATURE knob to set the wash temperature (see *Table of wash cycles*).

The temperature may be lowered, or even set to a cold wash .

The washing machine will automatically prevent you from selecting a temperature which is higher than the maximum value set for each wash cycle.

! Exception: if the **2** programme is selected, the temperature can be increased up to a value of 90°C.

## Setting the spin speed

Turn the SPIN SPEED knob to set the spin speed for the selected wash cycle.

The maximum spin speeds available for each wash cycle are as follows:

Wash cycles	Maximum spin speed
Cottons	1000 rpm
Synthetics	800 rpm
Wool	800 rpm
Silk	drain only

The spin speed may be lowered, or the spin cycle can be excluded altogether by selecting the symbol .

The washing machine will automatically prevent you from selecting a spin speed which is higher than the maximum speed set for each wash cycle.

## Functions

The various wash functions available with this washing machine will help to achieve the desired results, every time.



To activate the functions:

1. Press the button corresponding to the desired function;
2. the function is enabled when the corresponding indicator light is illuminated.


Note: If the indicator light flashes rapidly, this signals that this particular function may not be selected in conjunction with the selected wash cycle.

### EcoTime

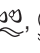
Selecting this option enables you to suitably adjust drum rotation, temperature and water to a reduced load of lightly soiled cotton and synthetic fabrics (refer to the "*Table of wash cycles*"). "EcoTime" enables you to wash in less time thereby saving water and electricity. We suggest using a liquid detergent suitably measured out to the load quantity.

! This function may not be used in conjunction with wash cycles 1, 6, 7, 8, 9, 10, 11, 12, 13, 14, , .

### Energy Saver


The  Energy Saver function saves energy by not heating the water used to wash your laundry - an advantage both to the environment and to your energy bill. Instead, intensified wash action and water optimisation ensure great wash results in the same average time of a standard cycle.

For the best washing results we recommend the usage of a liquid detergent.

! This function may not be used in conjunction with wash cycles 1, 6, 7, 8, 9, 10, 12, 13, 14, , .

### Stain removal

Bleaching cycle designed to remove the toughest stains. Please remember to pour the bleach into extra compartment 4 (see "*Bleach cycle*").

! This function may not be used in conjunction with wash cycles 1, 8, 9, 10, 11, 12, 13, 14, .

### Delay timer

This timer delays the start time of the wash cycle by up to 12 hours.

Press the button repeatedly until the indicator light corresponding to the desired delay time switches on. The fifth time the button is pressed, the function will be disabled.

**N.B.** Once the START/PAUSE button has been pressed, the delay time can only be modified by decreasing it until launching the set programme.

! This option is enabled with all programmes.

# Detergents and laundry

GB

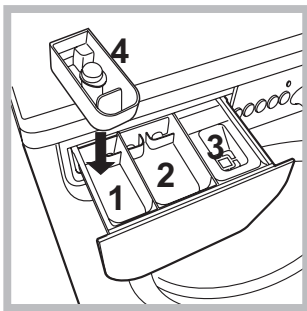
## Detergent dispenser drawer

Good washing results also depend on the correct dose of detergent: adding too much detergent will not necessarily result in a more efficient wash, and may in fact cause build up on the inside of your appliance and contribute to environmental pollution.

! Do not use hand washing detergents because these create too much foam.

! Use powder detergent for white cotton garments, for pre-washing, and for washing at temperatures over 60°C.

! Follow the instructions given on the detergent packaging.



Open the detergent dispenser drawer and pour in the detergent or washing additive, as follows.

### Compartment 1: Pre-wash detergent (powder)

Before pouring in the detergent, make sure that extra compartment 4 has been removed.

### compartment 2: Detergent for the wash cycle (powder or liquid)

Liquid detergent should only be poured in immediately prior to the start of the wash cycle.

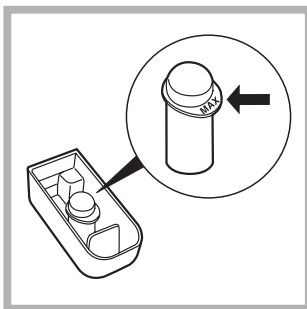
### compartment 3: Additives (fabric softeners, etc.)

The fabric softener should not overflow the grid.

### extra compartment 4: Bleach

## Bleach cycle



! **Traditional** bleach should be used on sturdy white fabrics, and **delicate** bleach for coloured fabrics, synthetics and for wool.




This option is particularly useful for the removal of stubborn stains. Place extra compartment 4 (supplied) into compartment 1.

When pouring in the bleach, be careful not to exceed the "max" level marked on the central pivot (see figure).

To run the bleach cycle on its own, pour the bleach into

extra compartment 4, set the "Rinse"  programme and activate the "Stain removal"  option.

To bleach during a wash cycle, pour in the detergent and any fabric softener you wish to use, set the desired wash cycle and enable the "Stain removal"  option. The use of extra compartment 4 excludes the "Pre-wash" option.

## Preparing the laundry

- Divide the laundry according to:
  - the type of fabric/the symbol on the label
  - the colours: separate coloured garments from whites.
- Empty all garment pockets and check the buttons.
- Do not exceed the values listed in the "Table of wash cycles", which refer to the weight of the laundry when dry.

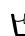
## How much does your laundry weigh?

- 1 sheet 400-500 g
- 1 pillow case 150-200 g
- 1 tablecloth 400-500 g
- 1 bathrobe 900-1200 g
- 1 towel 150-250 g

## Garments requiring special care

**Silk:** use special wash cycle 9 to wash all silk garments. We recommend the use of special detergent which has been designed to wash delicate clothes.

**Curtains:** fold curtains and place them in a pillow case or mesh bag. Use wash cycle 9.

**Wool:** all wool garments can be washed using programme 10, even those carrying the "hand-wash only"  label. For best results, use special detergents and do not exceed 1 kg of laundry.

**Jeans:** Turn garments inside-out before washing and use a liquid detergent. Use programme 11.

## Load balancing system

Before every spin cycle, to avoid excessive vibrations and to distribute the load in a uniform manner, the drum rotates continuously at a speed which is slightly greater than the washing rotation speed. If, after several attempts, the load is not balanced correctly, the machine spins at a reduced spin speed. If the load is excessively unbalanced, the washing machine performs the distribution process instead of spinning. To encourage improved load distribution and balance, we recommend small and large garments are mixed in the load.



! This washing machine was designed and constructed in accordance with international safety regulations. The following information is provided for safety reasons and must therefore be read carefully.

Consumers should contact their local authority or retailer for information concerning the correct disposal of their old appliance.

GB

## General safety

- This appliance was designed for domestic use only.
- This appliance is not intended for use by persons (including children) with reduced physical, sensory or mental capabilities, or lack of experience and knowledge, unless they have been given supervision or instruction concerning use of the appliance by a person responsible for their safety. Children should be supervised to ensure that they do not play with the appliance.
- The washing machine must only be used by adults, in accordance with the instructions provided in this manual.
- Do not touch the machine when barefoot or with wet or damp hands or feet.
- Do not pull on the power supply cable when unplugging the appliance from the electricity socket. Hold the plug and pull.
- Do not open the detergent dispenser drawer while the machine is in operation.
- Do not touch the drained water as it may reach extremely high temperatures.
- Never force the porthole door. This could damage the safety lock mechanism designed to prevent accidental opening.
- If the appliance breaks down, do not under any circumstances access the internal mechanisms in an attempt to repair it yourself.
- Always keep children well away from the appliance while it is operating.
- The door can become quite hot during the wash cycle.
- If the appliance has to be moved, work in a group of two or three people and handle it with the utmost care. Never try to do this alone, because the appliance is very heavy.
- Before loading laundry into the washing machine, make sure the drum is empty.

## Disposal

- Disposing of the packaging materials: observe local regulations so that the packaging may be re-used.
- The European Directive 2002/96/EC on Waste Electrical and Electronic Equipment, requires that old household electrical appliances must not be disposed of in the normal unsorted municipal waste stream. Old appliances must be collected separately in order to optimise the recovery and recycling of the materials they contain and reduce the impact on human health and the environment. The crossed out “wheeled bin” symbol on the product reminds you of your obligation, that when you dispose of the appliance it must be separately collected.

# Care and maintenance

GB

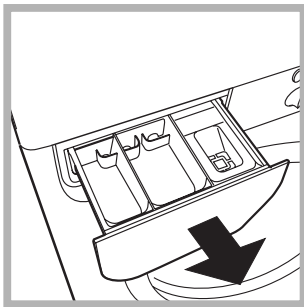
## Cutting off the water and electricity supplies

- Turn off the water tap after every wash cycle. This will limit wear on the hydraulic system inside the washing machine and help to prevent leaks.
- Unplug the washing machine when cleaning it and during all maintenance work.

## Cleaning the washing machine

The outer parts and rubber components of the appliance can be cleaned using a soft cloth soaked in lukewarm soapy water. Do not use solvents or abrasives.

## Cleaning the detergent dispenser drawer



Remove the dispenser by raising it and pulling it out (see figure). Wash it under running water; this operation should be repeated frequently.

## Caring for the door and drum of your appliance

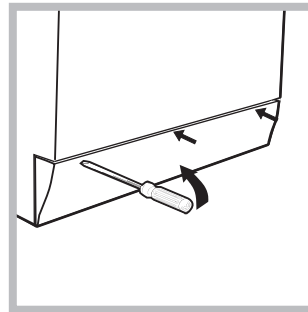
- Always leave the porthole door ajar in order to prevent unpleasant odours from forming.

## Cleaning the pump

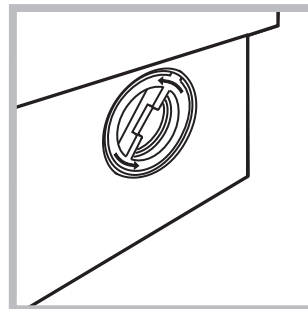
The washing machine is fitted with a self-cleaning pump which does not require any maintenance. Sometimes, small items (such as coins or buttons) may fall into the pre-chamber which protects the pump, situated in its bottom part.

! Make sure the wash cycle has finished and unplug the appliance.

To access the pre-chamber:



1. using a screwdriver, remove the cover panel on the lower front part of the washing machine (see figure);



2. unscrew the lid by rotating it anti-clockwise (see figure); a little water may trickle out. This is perfectly normal;

3. clean the inside thoroughly;
4. screw the lid back on;
5. reposition the panel, making sure the hooks are securely in place before you push it onto the appliance.

## Checking the water inlet hose

Check the inlet hose at least once a year. If there are any cracks, it should be replaced immediately: during the wash cycles, water pressure is very strong and a cracked hose could easily split open.

! Never use second-hand hoses.

Your washing machine could fail to work. Before contacting the Technical Assistance Centre (see “Assistance”), make sure that the problem cannot be not solved easily using the following list.

## Problem:

## Possible causes / Solutions:

**The washing machine does not switch on.**

- The appliance is not plugged into the socket fully, or is not making contact.
- There is no power in the house.

**The wash cycle does not start.**

- The washing machine door is not closed properly.
- The ON/OFF button has not been pressed.
- The START/PAUSE button has not been pressed.
- The water tap has not been opened.
- A delayed start has been set (see “Personalisation”).

**The washing machine does not take in water (the indicator light for the first wash cycle stage flashes rapidly).**

- The water inlet hose is not connected to the tap.
- The hose is bent.
- The water tap has not been opened.
- There is no water supply in the house.
- The pressure is too low.
- The START/PAUSE button has not been pressed.

**The washing machine continuously takes in and drains water.**

- The drain hose is not fitted at a height between 65 and 100 cm from the floor (see “Installation”).
- The free end of the hose is under water (see “Installation”).
- The wall drainage system is not fitted with a breather pipe.

If the problem persists even after these checks, turn off the water tap, switch the appliance off and contact the Assistance Service. If the dwelling is on one of the upper floors of a building, there may be problems relating to water drainage, causing the washing machine to fill with water and drain continuously. Special anti-draining valves are available in shops and help to avoid this inconvenience.

**The washing machine does not drain or spin.**

- The wash cycle does not include draining: some wash cycles require the drain phase to be started manually.
- The drain hose is bent (see “Installation”).
- The drainage duct is clogged.

**The washing machine vibrates a lot during the spin cycle.**

- The drum was not unlocked correctly during installation (see “Installation”).
- The washing machine is not level (see “Installation”).
- The washing machine is trapped between cabinets and walls (see “Installation”).

**The washing machine leaks.**

- The water inlet hose is not screwed on properly (see “Installation”).
- The detergent dispenser drawer is blocked (for cleaning instructions, see “Care and maintenance”).
- The drain hose is not fixed properly (see “Installation”).

**The “Functions” indicator lights and the “start/pause” indicator light flash, while one of the “phase in progress” indicator lights and the “door locked” indicator light will remain lit in a fixed manner.**

- Switch off the machine and unplug it, wait for approximately 1 minute and then switch it back on again.  
If the problem persists, contact the Technical Assistance Service.

**There is too much foam.**

- The detergent is not suitable for machine washing (it should display the text “for washing machines” or “hand and machine wash”, or the like).
- Too much detergent was used.

# Service

---

GB

## **Before calling for Assistance:**

- Check whether you can solve the problem alone (see “*Troubleshooting*”);
- Restart the programme to check whether the problem has been solved;
- If this is not the case, contact an authorised Technical Assistance Centre using the telephone number provided on the guarantee certificate.

! Always request the assistance of authorised technicians.

## **Have the following information to hand:**

- the type of problem;
- the appliance model (Mod.);
- the serial number (S/N).

This information can be found on the data plate applied to the rear of the washing machine, and can also be found on the front of the appliance by opening the door.

CZ

Česky

IWSC 51051

## Obsah

### Instalace, 14-15

Rozbalení a vyrovnání do vodorovné polohy  
Připojení k elektrické a k vodovodní síti  
První prací cyklus  
Technické údaje

### Popis pračky a zahájení pracího programu, 16-17

Ovládací panel  
Kontrolky  
Zahájení pracího programu

### Prací programy, 18

Tabulka pracích programů

### Uživatelská nastavení, 19

Nastavení teploty  
Nastavení rychlosti odstředování  
Funkce

### Prací prostředky a prádlo, 20

Dávkovač pracích prostředků  
Cyklus bělení  
Příprava prádla  
Oděvy vyžadující zvláštní péči  
Systém automatického vyvážení náplně

### Opatření a rady, 21

Základní bezpečnostní pokyny  
Likvidace

### Údržba a péče, 22

Uzavření přívodu vody a vypnutí elektrického napájení  
Čištění pračky  
Čištění dávkovače pracích prostředků  
Péče o dvířka a buben  
Čištění čerpadla  
Kontrola přítokové hadice na vodu

### Poruchy a způsob jejich odstranění, 23

### Servisní služba, 24

# Instalace

CZ

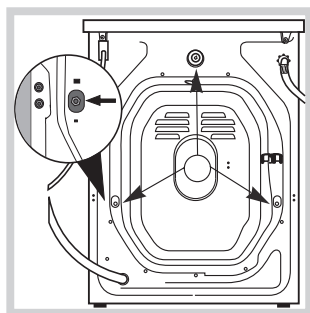
! Je důležité uschovat tento návod tak, abyste jej mohli kdykoli konzultovat. V případě prodeje, darování nebo přestěhování pračky se ujistěte, že zůstane uložen v blízkosti pračky, aby mohl posloužit novému majiteli při seznámení s její činností a s příslušnými upozorněními.

! Pozorně si přečtete uvedené pokyny: obsahují důležité informace týkající se instalace, použití a bezpečnosti při práci.

## Rozbalení a vyrovnaní do vodorovné polohy

### Rozbalení

1. Rozbalte pračku.
2. Zkontrolujte, zda během přepravy nedošlo k jejímu poškození. V případě, že je poškozena, ji nezapojujte a obraťte se na prodejce.



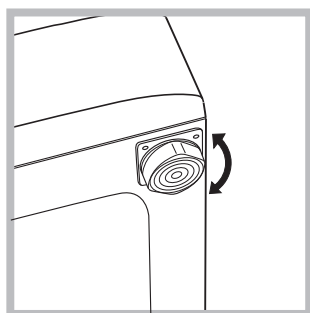
3. Odstraňte 3 šrouby chránící před poškozením během přepravy a gumovou podložku s příslušnou rozpěrkou, které se nacházejí v zadní části (viz obrázek).

4. Uzavřete otvory po šroubech plastovými krytkami z příslušenství.
5. Uschovejte všechny díly: v případě opětovné přepravy pračky je bude třeba namontovat zpět.

! Obaly nejsou hračky pro děti!

### Vyrovnaní do vodorovné polohy

1. Pračku je třeba umístit na rovnou a pevnou podlahu, aniž by se opírala o stěnu, nábytek či něco jiného.

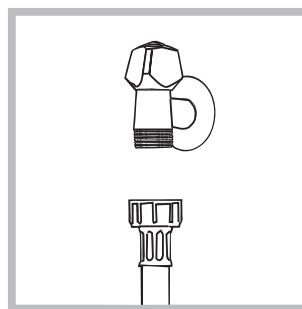


2. V případě, že podlaha není dokonale vodorovná, mohou být případné rozdíly vykompenzovány šroubováním předních nožek (viz obrázek); Úhel sklonu, naměřený na pracovní ploše, nesmí přesáhnout 2°.

Dokonalé vyrovnaní do vodorovné polohy zabezpečí stabilitu zařízení a zamezí vzniku vibrací a hluku během činnosti. V případě instalace na podlahovou krytinu nebo na koberec nastavte nožky tak, aby pod pračkou zůstal dostatečný volný prostor pro ventilaci.

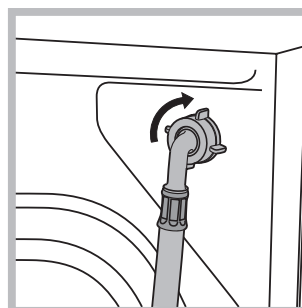
## Připojení k elektrické a k vodovodní síti

### Připojení přítokové hadice vody



1. Připojte přívodní hadici jejím zašroubováním ke kohoutku studené vody s hrdlem se závitem 3/4" (viz obrázek).

Před připojením hadice nechte vodu odtékat, dokud nebude čirá.



2. Připojte přítokovou hadici k pračce prostřednictvím příslušné přípojky na vodu, umístěné vpravo nahoře (viz obrázek).

3. Dbejte na to, aby hadice nebyla příliš ohnutá ani stlačená.

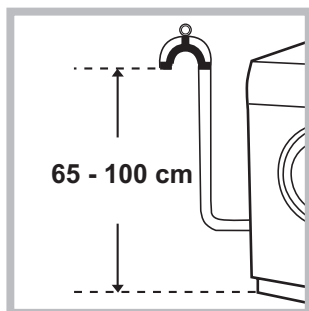
! Tlak v rozvodu vody se musí pohybovat v rozmezí hodnot uvedených v tabulce s technickými údaji (viz vedlejší strana).

! V případě, že délka přítokové hadice nebude dostatečná, obraťte se na specializovanou prodejnu nebo na autorizovaný technický personál.

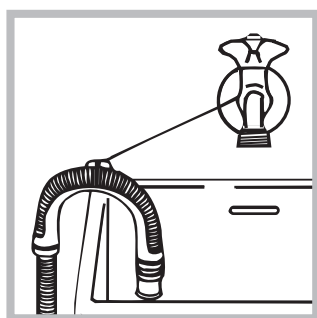
! Nikdy nepoužívejte již použité hadice.

! Používejte hadice z příslušenství zařízení.

## Připojení vypouštěcí hadice



Připojte vypouštěcí hadici, aniž byste ji ohýbali, k odpadovému potrubí nebo k odpadu ve stěně, který se nachází od 65 do 100 cm nad zemí;



nebo ji uchyťte k okraji umývadla či vany a připevněte vodící držák z příslušenství ke kohoutu (viz obrázek). Volný konec vypouštěcí hadice nesmí zůstat ponořený do vody.

! Použití prodlužovacích hadic se nedoporučuje; je-li však nezbytné, prodlužovací hadice musí mít stejný průměr jako originální hadice a její délka nesmí přesáhnout 150 cm.

## Připojení k elektrické síti

Před zasunutím zástrčky do zásuvky se ujistěte, že:

- Je zásuvka uzemněna a že vyhovuje normám;
- je zásuvka schopna snést maximální zátěž odpovídající jmenovitému příkonu zařízení, uvedenému v tabulce s technickými údaji (viz vedle);
- hodnota napájecího napětí odpovídá údajům uvedeným v tabulce s technickými údaji (viz vedle);
- je zásuvka kompatibilní se zástrčkou pračky. V opačném případě je třeba vyměnit zásuvku nebo zástrčku.

! Pračka nesmí být umístěna venku – pod širým nebem, a to ani v případě, že by se jednalo o místo chráněné před nepřízní počasí, protože je velmi nebezpečné vystavit ji působení deště a bouří.

! Po definitivní instalaci pračky musí zásuvka zůstat snadno přístupná.

! Nepoužívejte prodlužovací kabely a rozvodky.



! Kabel nesmí být ohnutý ani stlačený.

! Výměna kabelu musí být svěřena výhradně autorizovanému technickému personálu.

Upozornění! Výrobce neponese žádnou odpovědnost za následky nerespektování uvedených předpisů.

## První prací cyklus

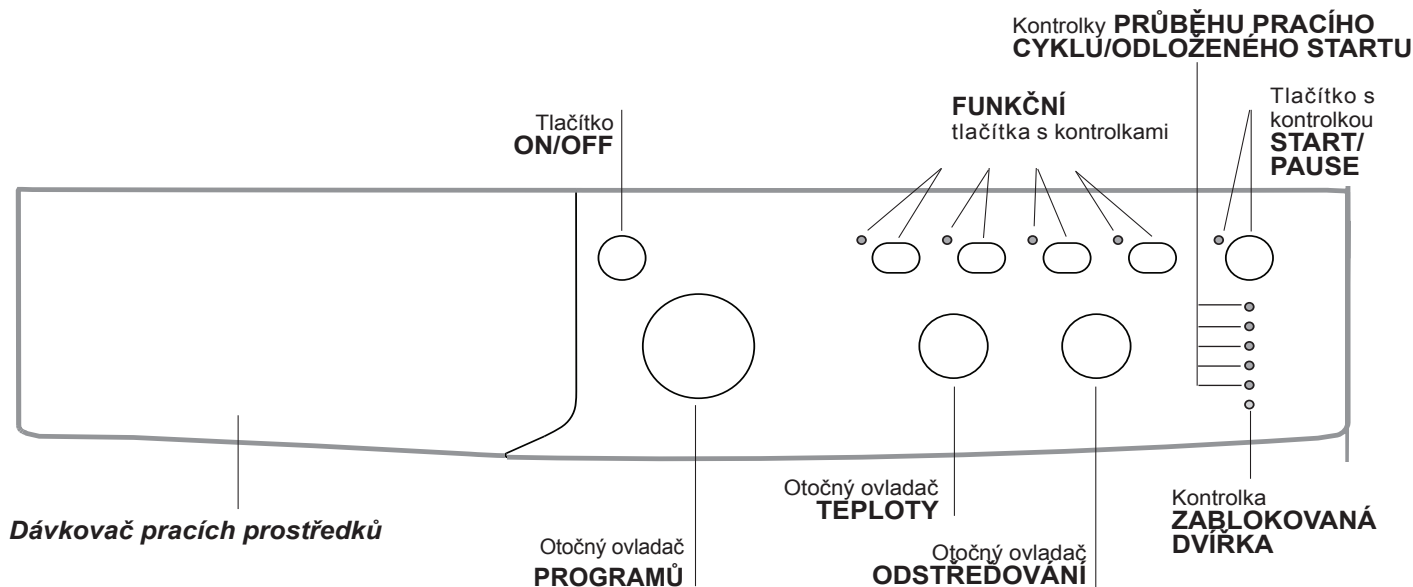
Po instalaci zařízení je třeba ještě předtím, než je použijete na praní prádla, provést jeden zkušební cyklus s pracím prostředkem a bez náplně prádla nastavením pracovního programu 2.

Technické údaje	
Model	IWSC 51051
Rozměry	šířka 59,5 cm výška 85 cm hloubka 44 cm
Kapacita	od 1 do 5 kg
Napájení	Viz štítek s technickými údaji, aplikovaný na zařízení.
Připojení k rozvodu vody	maximální tlak 1 MPa (10 bar) minimální tlak 0.05 MPa (0.5 bar) kapacita bubny 40 litrů
Rychlost odstředování	až do 1000 otáček za minutu
Kontrolní programy podle směrnice 1061/2010 a 1015/2010	program 2; standardní program pro bavlnu pro praní při 60°C. program 3; standardní program pro bavlnu pro praní při 40°C.
 	Toto zařízení odpovídá následujícím normám Evropské unie: - 2004/108/CE (Elektromagnetická kompatibilita) - 2006/95/CE (Nízké napětí) - 2002/96/CE
Hlučnost (dB(A) re 1 pW)	Praní: 59 Odstředování: 77

# Popis pračky a zahájení pracího programu

## Ovládací panel

CZ



**Dávkovač pracích prostředků:** slouží k dávkování pracích prostředků a přídatných prostředků (viz „Prací prostředky a prádlo“).

Tlačítko **ON/OFF**: slouží k zapnutí a vypnutí pračky.

Otočný ovladač **PROGRAMŮ**: pro nastavení pracích programů. Během pracího programu zůstane ve stejné poloze.

**FUNKČNÍ** tlačítka s kontrolkami: slouží k volbě jednotlivých dostupných funkcí. Kontrolka zvolené funkce zůstane rozsvícena.

Otočný ovladač **ODSTŘEĐOVÁNÍ**: slouží k nastavení odstřeďování nebo k jeho vyloučení (viz „Uživatelská nastavení“).

Otočný ovladač **TEPLoty**: slouží k nastavení teploty praní nebo praní ve studené vodě (viz „Uživatelská nastavení“).

Kontrolky **PRŮBĚHU PRACÍHO CYKLU/ODLOŽENÉHO STARTU**: slouží ke kontrole průběhu pracího programu. Rozsvícená kontrolka poukazuje na probíhající fázi. V případě, že byla nastavena funkce „Odloženého startu“, budou informovat o čase zbývajícím do zahájení pracího programu (viz vedlejší strana).

Kontrolka **ZABLOKOVANÁ DVÍŘKA**: informuje o tom, zda je možné otevřít dvířka (viz vedlejší strana).

Tlačítko s kontrolkou **START/PAUSE**: Slouží ke spuštění nebo dočasnému přerušení programů.

**POZN.:** Stisknutí tohoto tlačítka slouží k přerušení probíhajícího praní; příslušná kontrolka bude blikat oranžovým světlem, zatímco kontrolka probíhající fáze zůstane rozsvícena stálým světlem. Když bude kontrolka **ZABLOKOVANÁ DVÍŘKA** zhasnuta, bude možné otevřít dvířka.

Za účelem opětovného zahájení praní z bodu, ve kterém bylo přerušeno, znovu stiskněte toto tlačítko.

### Pohotovostní režim

Za účelem shody s novými předpisy souvisejícími s energetickou úsporou je tato pračka vybavena systémem automatického vypnutí (přechodu do pohotovostního režimu – standby), který je aktivován po uplynutí několika minut, když se pračka nepoužívá. Krátce stiskněte tlačítko ON-OFF (ZAPNOUT-VYPNOUT) a vyčkejte na obnovení činnosti zařízení.

Spotřeba v off-mode: 1W

Spotřeba v Left-on: 1W



## Kontrolky

Kontrolky jsou zdrojem důležitých informací. Informují nás o následujících skutečnostech:

### Odložený start

Když byla aktivována funkce „Odloženého startu“ (viz „Uživatelská nastavení“), po zahájení pracího programu začne blikat příslušná kontrolka zvoleného odložení:

3h 

6h 

9h 

12h 

Průběžně bude zobrazován čas zbývající do startu a zobrazování bude prováděno blikáním příslušné kontrolky:

3h 

6h 

9h 

12h 

Po uplynutí zvolené doby odložení dojde k zahájení nastaveného programu.


### Kontrolka aktuální fáze pracího programu:

Po zvolení a zahájení požadovaného pracího cyklu dojde k postupnému rozsvícení kontrolky informující o jeho průběhu.

Praní 

Máchání 

Odstředování 

Odčerpání vody 

Ukončení praní 

### Funkční tlačítka a příslušné kontrolky

Po zvolení konkrétní funkce dojde k rozsvícení příslušné kontrolky.


V případě, že zvolená funkce není kompatibilní s nastaveným pracím programem, příslušná kontrolka začne blikat a funkce nebude aktivována.

V případě, že zvolená funkce není kompatibilní s jinou předem zvolenou funkcí, kontrolka první funkce bude blikat a bude aktivována pouze druhá, přičemž kontrolka zvolené funkce se rozsvítí stálým světlem.

### Kontrolka zablokovaných dvířek



Rozsvícení této kontrolky poukazuje na to, že dvířka jsou zajištěna kvůli zamezení náhodnému otevření; aby se zabránilo poškození dvířek, před jejich otevřením je třeba vyčkat, dokud uvedená kontrolka nezhasne; (vyčkejte přibližně 3 minuty). Za účelem otevření dvířek v průběhu pracího cyklu stiskněte tlačítko START/PAUSE; když bude kontrolka ZABLOKOVANÁ DVÍŘKA zhasnutá, bude možné otevřít dvířka.

## Zahájení pracího programu

1. Zapněte pračku stisknutím tlačítka ON/OFF. Všechny kontrolky se rozsvítí na několik sekund, poté se zhasnou a bude blikat kontrolka START/PAUSE.
2. Naplňte pračku a zavřete dvířka.
3. Otočným ovladačem PROGRAMŮ nastavte požadovaný prací program.
4. Nastavte teplotu praní (viz „Uživatelská nastavení“).
5. Nastavte rychlost odstředování (viz „Uživatelská nastavení“).
6. Nadávkujte prací prostředek a přídatné prostředky (viz „Prací prostředky a prádlo“).
7. Zvolte požadované funkce.
8. Zahajte prací program stisknutím tlačítka START/PAUSE a příslušná kontrolka zůstane rozsvícena stálým světlem zelené barvy. Zrušení nastaveného pracího cyklu se provádí přerušením činnosti zařízení stisknutím tlačítka START/PAUSE a volbou nového cyklu.
9. Po ukončení pracího programu se rozsvítí kontrolka END. Po zhasnutí kontrolky ZABLOKOVANÁ DVÍŘKA  bude možné otevřít dvířka. Vytáhněte prádlo a nechte dvířka pootevřená, aby bylo umožněno vysušení bubny. Vypněte pračku stisknutím tlačítka ON/OFF.

# Prací programy

## Tabulka pracích programů

Programy	Popis programu	Max. teplota (°C)	Max. rychlost (otáčky za minutu)	Prací prostředky				Max. náplň (kg)	Zbytková vlhkost %	Spotřeba energie kWh	Celkové množství vody lt	Cycle duration
				Předpraní	Praní	Aviváž	Bělicí prostředek					
<b>Programy pro každodenní praní (Daily)</b>												
1	<b>Bavlna + předpraní:</b> mimořádně znečištěné bílé prádlo.	90°	1000	●	●	●	-	5	62	1,68	61	145'
2	<b>Standardní program pro bavlnu pro praní při 60°C (1):</b> silně znečištěné bílé a barevné prádlo z odolných tkanin.	60° (Max. 90°)	1000	-	●	●	●	5	62	0,89	45	175'
3	<b>Standardní program pro bavlnu pro praní při 40°C (2):</b> silně znečištěné bílé a barevné choulostivé prádlo.	40°	1000	-	●	●	●	5	62	0,75	60	165'
4	<b>Syntetika:</b> velmi znečištěné barevné prádlo z odolných tkanin.	60°	800	-	●	●	●	2,5	44	0,70	40	100'
4	<b>Syntetika (3):</b> částečně znečištěné barevné prádlo z odolných tkanin.	40°	800	-	●	●	●	2,5	44	0,47	38	90'
5	<b>Barevná bavlna:</b> málo znečištěné bílé a barevné choulostivé prádlo.	40°	1000	-	●	●	●	5	62	0,59	48	80'
<b>20° Zone</b>												
6	<b>Standardní program pro bavlnu pro praní při 20°C:</b> silně znečištěné bílé a barevné choulostivé prádlo.	20°	1000	-	●	●	●	5	-	-	-	170'
7	<b>Mix Light</b>	20°	800	-	●	●	●	5	-	-	-	120'
8	<b>20' Refresh</b>	20°	800	-	●	●	-	1,5	-	-	-	20'
<b>Speciální programy (Special)</b>												
9	<b>HEDVÁBÍ/ZÁCLONY:</b> pro prádlo z hedvábí, viskózy, spodní prádlo.	30°	0	-	●	●	-	1	-	-	-	55'
10	<b>Vlna:</b> pro vlnu, kašmír atd.	40°	800	-	●	●	-	1	-	-	-	55'
11	<b>Jeans</b>	40°	800	-	●	●	-	2,5	-	-	-	70'
<b>Sport</b>												
12	<b>Sport Intensive</b>	30°	600	-	●	●	-	2,5	-	-	-	85'
13	<b>Sport Light</b>	30°	600	-	●	●	-	2,5	-	-	-	60'
14	<b>Sport Shoes</b>	30°	600	-	●	●	-	Max. 2 páry.	-	-	-	55'
<b>Díličí programy</b>												
	Máchání	-	1000	-	-	●	●	5	-	-	-	36'
	Odstředování + Odčerpání vody	-	1000	-	-	-	-	5	-	-	-	16'

Doba trvání cyklu uvedená na displeji nebo v návodu představuje odhad vypočítaný na základě standardních podmínek. Skutečná doba se může měnit v závislosti na četných faktorech, jako je např. teplota a tlak vody na vstupu, teplota prostředí, množství pracího prostředku, množství a druh náplně, vyvážení náplně a zvolené volitelné funkce.

**1) Kontrolní program podle normy 1061/2010: nastavte program 2 s teplotou 60°C.**

Tento cyklus je vhodný pro praní běžně znečištěné bavlny a jedná se o neúčinnější cyklus z hlediska kombinované spotřeby energie a vody určený pro prádlo, které lze prát při teplotě do 60°C. Skutečná teplota praní se může lišit od uvedené.

**2) Kontrolní program podle normy 1061/2010: nastavte program 3 s teplotou 40°C.**

Tento cyklus je vhodný pro praní běžně znečištěné bavlny a jedná se o neúčinnější cyklus z hlediska kombinované spotřeby energie a vody určený pro prádlo, které lze prát při teplotě do 40°C. Skutečná teplota praní se může lišit od uvedené.

**Pro všechny Kontrolní ústavy:**

2) Dlouhý program na praní bavlny: nastavte program 3 s teplotou 40°C.

3) Syntetický program spolu: nastavte program 4 s teplotou 40°C.

**Sport Intensive** (program 12) byl navržen pro velmi znečištěné látky sportovního oblečení (teplákové soupravy, šortky apod.); pro dosažení optimálních výsledků se doporučuje nepřekračovat maximální náplň uvedenou v "Tabulka pracích programů".

**Sport Light** (program 13) byl navržen pro mírně znečištěné látky sportovního oblečení (teplákové soupravy, šortky apod.); pro dosažení optimálních výsledků se doporučuje nepřekračovat maximální náplň uvedenou v "Tabulka pracích programů".

Doporučuje se použít tekuté prací prostředky a použít dávku vhodnou pro poloviční náplň.

**Sport Shoes** (program 14) byl navržen pro praní sportovní obuvi; pro dosažení optimálních výsledků neperte více než 2 páry najednou.

**Programy 20° (20° Zone)** nabízejí dobrou výkonnost praní při nízkých teplotách, přičemž umožňují nižší použití elektrické energie s výhodami pro finanční úsporu i pro životní prostředí. Programy 20° vyhovují všem požadavkům:

**Standardní program pro bavlnu pro praní při 20°C** (program 6) ideální pro náplně ze znečištěné bavlny. Dobrá výkonnost i za studena, srovnatelná s praním při 40°C, je zaručena mechanickým působením, které je založeno na změně rychlosti v krátkých nebo dlouhých intervalech.

**Mix Light** (program 7) ideální pro smíšené náplně (bavlna a syntetika), tvořené středně znečištěným prádlem. Dobrá výkonnost praní i za studena je zaručena mechanickým působením, které je založeno na změně rychlosti ve středních nebo určených intervalech.

**20' Refresh** (program 8) osvěžení ideální cyklus pro osvěžení a praní mírně znečištěného prádla v průběhu pár minut. Trvá pouze 20 minut a šetří tak čas i energii. Umožňuje prát dohromady tkaniny různého druhu (s výjimkou vlny a hedvábí) při náplni nepřesahující 1,5 kg.

## Nastavení teploty

Otáčením otočného ovladače TEPLoty se nastavuje teplota praní (viz *Tabulka programů*).

Teplota může být postupně snižována až po praní ve studené vodě (☼).

Zařízení automaticky zabrání nastavení vyšší teploty, než je maximální teplota pro každý prací program.

! Výjimka: při volbě programu 2 bude možné zvýšit teplotu až na 90°C.

## Nastavení odstředování

Otáčením otočného ovladače Odstředování se nastavuje rychlost odstředování zvoleného pracího programu.

Maximální rychlosti pro jednotlivé prací programy jsou:

Programy	Maximální rychlost
Bavlna	1000 otáček za minutu
Syntetika	800 otáček za minutu
Vlna	800 otáček za minutu
Hedvábí	pouze odčerpání vody

Rychlost odstředování může být snížena nebo může být odstředování vyloučeno volbou symbolu .

Zařízení automaticky zabrání odstředování vyšší rychlostí, než je maximální rychlost pro každý prací program.

## Funkce

Jednotlivé funkce, kterými pračka disponuje, umožňují dosáhnout požadovaného stupně čistoty a bělosti praného prádla.

Způsob aktivace jednotlivých funkcí:

1. stisknete příslušné tlačítko požadované funkce;
2. rozsvícení příslušné kontrolky signalizuje, že došlo k aktivaci zvolené funkce.


**Poznámka:** Rychlé blikání kontrolky poukazuje na to, že příslušná funkce je nepoužitelná během nastaveného pracího programu.

### EcoTime

Volbou této volitelné funkce se bude mechanický pohon, teplota a voda optimalizovat pro sníženou náplň mírně znečištěné bavlny a syntetických materiálů *“Tabulka pracích programů”*. Při použití *“EcoTime”* můžete pracovat s kratšími dobami a ušetřit vodu a energii. Doporučuje se používat dávku tekutého pracího prostředku vhodnou pro naplněné množství.

! Tato funkce není použitelná u programů 1, 6, 7, 8, 9, 10, 11, 12, 13, 14, .


### Energy Savér

Funkce  přispívá k energetické úspoře tím, že neohřívá vodu použitou pro praní prádla – jedná se o výhodu pro životní prostředí i pro účet za elektrickou energii. Zesílený účinek a optimalizovaná spotřeba vody vskutku zaručují optimální výsledky během stejné průměrné doby odpovídající standardnímu cyklu. Pro dosažení lepších výsledků praní se doporučuje použít tekutý prací prostředek.

! Tato funkce není použitelná u programů 1, 6, 7, 8, 9, 10, 12, 13, 14, .

### Bělení

Bělicí cyklus vhodný na odstranění nejodolnějších skvrn. Nezapomeňte na vložení bělicího prostředku do přídatné přihrádky 4 (viz *“Cyklus bělení”*).

! Tato funkce není použitelná u programů 1, 8, 9, 10, 11, 12, 13, 14, .

### Odložený start

Slouží k odložení zahájení pracího cyklu až o 12 hodin.

Opakovaně stisknete tlačítko až do rozsvícení kontrolky označující požadovanou dobu odložení. Po pátém stisknutí tlačítka dojde k vyloučení uvedené funkce.

**POZN.:** Po stisknutí tlačítka START/PAUSE je možné změnit hodnotu odložení pouze ve smyslu jejího snížení, a to až do zahájení nastaveného programu.

! Je aktivní u všech pracích programů.

# Prací prostředky a prádlo

CZ

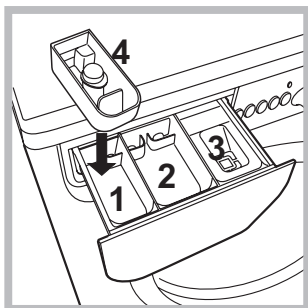
## Dávkovač pracích prostředků

Dobry výsledek praní závisí také na správném dávkování pracího prostředku: použití jeho nadměrného množství snižuje efektivitu praní a napomáhá tvorbě vodního kamene na vnitřních částech pračky a zvyšuje znečištění životního prostředí.

! Nepoužívejte prací prostředky určené pro ruční praní, protože způsobují tvorbu nadměrného množství pěny.

! Pro předpírku a praní při teplotě vyšší než 60 °C použijte práškové prací prostředky pro bílé bavlněné prádlo.

! Dodržujte pokyny uvedené na obalu pracího prostředku.



Při vytahování dávkovače pracích prostředků a při jeho plnění pracími nebo přídatnými prostředky postupujte následovně.

**příhrádka 1: Prací prostředek (práškový) pro předpírání**  
Před naplněním příhrádky pracím prostředkem se ujistěte, že se v dávkovači nenachází přídatná příhrádka 4.

**příhrádka 2: Prací prostředek (práškový anebo tekutý) pro praní**

Tekutý prací prostředek se nalévá pouze těsně před uvedením do chodu.

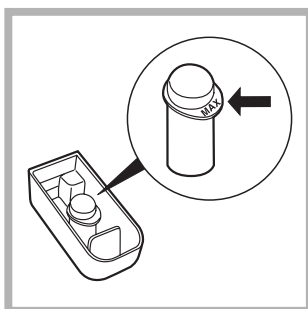
**příhrádka 3: Přídatné prostředky (aviváž, atd.)**

Aviváž nesmí vytékat z mřížky.

**přídatná příhrádka 4: Bělící prostředek**

## Cyklus bělení

! Tradiční bělicí prostředek se používá při bělení bílého prádla z odolných tkanin, zatímco bělicí prostředek **na choulostivé prádlo** se používá při bělení barevného prádla, prádla ze syntetických tkanin a z vlny.



Vložte přídatnou příhrádku 4, z příslušenství, do příhrádky 1. Při dávkování bělicího prostředku nepřekročte hladinu „max“, vyznačenou na středovém kolíku (viz obrázek).

Když si přejete vykonat pouze bělicí cyklus, naplňte přídatnou příhrádku 4 bělicím prostředkem a nastavte program „máchní“ a aktivujte volitelnou funkci „bělení“ .

Při bělení během pracího cyklu naplňte dávkovač pracím prostředkem a přídatnými prostředky, nastavte požadovaný prací cyklus a aktivujte volitelnou funkci „bělení“ .

Použití přídatné příhrádky 4 vylučuje možnost předpírání.

## Příprava prádla

- Roztřídte prádlo podle:
  - druhu tkaniny / symbolu na visačce.
  - barvy: oddělte barevné prádlo od bílého.
- Vyprázdněte kapsy a zkontrolujte knoflíky.
- Nepřekračujte hodnoty povolené náplně, uvedené v „*Tabulka pracích programů*“, vztahující se na hmotnost suchého prádla.

## Kolik váží prádlo?

- 1 prostěradlo 400-500 g
- 1 povlak na polštář 150-200 g
- 1 ubrus 400-500 g
- 1 župan 900-1.200 g
- 1 ručník 150-250 g

## Oděvy vyžadující zvláštní péči

**Hedvábí:** použijte příslušný program 9 pro praní všeho prádla z hedvábí. Doporučujeme použití pracího prostředku pro choulostivé prádlo.

**Záclony:** přehnout je a uložit dovnitř povlaku na polštář anebo do sáčku ze síťoviny. Použijte program 9.

**Vlna:** S programem 10 je možné prát v pračce všechny druhy vlněného prádla, také ty, které jsou označeny visačkou „prát pouze v ruce“ . Pro dosažení optimálních výsledků používejte specifický prací prostředek a nepřekračujte 1 kg prádla.

**Jeans:** převraťte prádlo naruby a použijte tekutý prací prostředek. Použijte program 11.

## Systém automatického vyvážení náplně

Před každým odstředováním buben provede otáčení rychlostí lehce převyšující rychlost praní, aby se odstranily vibrace a aby se náplň rovnoměrně rozložila. V případě, že po několikánásobných pokusech o vyvážení prádlo ještě nebude správně vyváženo, zařízení provede odstředování nižší rychlostí, než je přednastavená rychlost. Za přítomnosti nadměrného nevyvážení pračka provede namísto odstředování vyvážení. Za účelem dosažení rovnoměrnějšího rozložení náplně a jejího správného vyvážení se doporučuje míchat velké a malé kusy prádla.

! Pračka byla navržena a vyrobena v souladu s platnými mezinárodními bezpečnostními předpisy. Tato upozornění jsou uváděna z bezpečnostních důvodů a je třeba si je pozorně přečíst.

## Základní bezpečnostní pokyny

- Toto zařízení bylo navrženo výhradně pro použití v domácnosti.
- Pračku mohou používat pouze dospělé osoby podle pokynů uvedených v tomto návodu.
- Nedotýkejte se zařízení bosí nebo v případě, že máte mokré ruce či nohy.
- Nevytahujte zástrčku ze zásuvky tahem za kabel, ale uchopením za zástrčku.
- Neotvírejte dávkovač pracích prostředků během činnosti zařízení.
- Nedotýkejte se odčerpávané vody, protože může mít velmi vysokou teplotu.
- Nepokoušejte se o násilné otevření dvířek: mohlo by dojít k poškození bezpečnostního uzávěru, který zabraňuje náhodnému otevření.
- Při výskytu poruchy se v žádném případě nepokoušejte o opravu vnitřních částí zařízení.
- Vždy mějte pod kontrolou děti a zabraňte tomu, aby se přibližovaly k zařízení během pracího cyklu.
- Během pracího cyklu mají dvířka tendenci ohřát se.
- V případě potřeby přemísťujte pračku ve dvou nebo ve třech a věnujte celé operaci maximální pozornost. Nikdy se nepokoušejte zařízení přemísťovat sami, je totiž velmi těžké.
- Před zahájením vkládání prádla zkontrolujte, zda je buben prázdný.

## Likvidace

- Likvidace obalových materiálů: při jejich odstranění postupujte v souladu s místním předpisy a dbejte na možnou recyklaci.
- Evropská směrnice 2002/96/EC o odpadních elektrických a elektronických zařízeních stanovuje, že staré domácí elektrické spotřebiče nesmí být odkládány do běžného netříděného domovního odpadu. Staré spotřebiče musí být odevzdány do odděleného sběru, a to za účelem recyklace a optimálního využití materiálů, které obsahují, a z důvodu předcházení negativním dopadům na lidské zdraví a životní prostředí. Symbol "přeškrtnuté popelnice" na výrobku vás upozorňuje na povinnost odevzdat zařízení po skončení jeho životnosti do odděleného sběru. Spotřebitelé by měli kontaktovat příslušné místní úřady nebo svého prodejce ohledně informací týkajících se správné likvidace starého zařízení.

# Údržba a péče

CZ

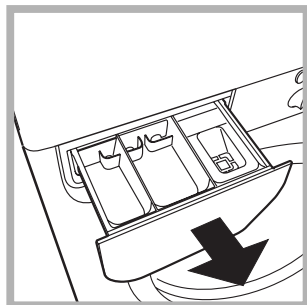
## Uzavření přívodu vody a vypnutí elektrického napájení

- Po každém praní uzavřete přívod vody. Tímto způsobem dochází k omezení opotřebením pračky a ke snížení nebezpečí úniku vody.
- Před zahájením čištění pračky a během operací údržby vytáhněte zástrčku napájecího kabelu z elektrické zásuvky.

## Čištění pračky

Vnější části a části z gumy se mohou čistit hadrem navlhčeným ve vlažné vodě a saponátu. Nepoužívejte rozpouštědla ani abrazivní látky.

## Čištění dávkovače pracích prostředků



Vytáhněte dávkovač jeho nadzvednutím a vytažením směrem ven (viz obrázek). Umyjte jej pod proudem vody; tento druh vyčištění je třeba provádět pravidelně.

## Péče o dvířka a buběn

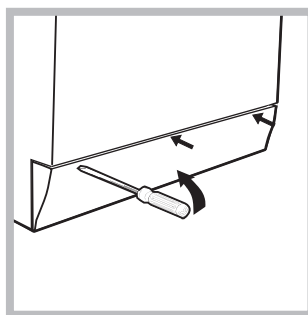
- Dvířka ponechte pokaždé pootevřená, aby se zabránilo tvorbě nepříjemných zápachů.

## Čištění čerpadla

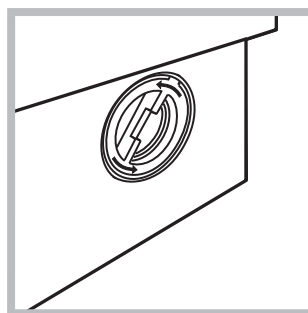
Součástí pračky je samočisticí čerpadlo, které nevyžaduje údržbu. Může se však stát, že se v jeho vstupní části, určené k jeho ochraně a nacházející se v jeho spodní části, zachytí drobné předměty (mince, knoflíky).

! Ujistěte se, že byl prací cyklus ukončen, a vytáhněte zástrčku ze zásuvky.

Přístup ke vstupní části čerpadla:



1. pomocí šroubováku odstraňte krycí panel nacházející se v přední části pračky (viz obrázek);



2. odšroubujte víko jeho otáčením proti směru hodinových ručiček (viz obrázek): vytečení malého množství vody je zcela běžným jevem;

3. dokonale vyčistěte vnitřek;
4. zašroubujte zpět víko;
5. namontujte zpět panel, přičemž se před jeho přisunutím k zařízení ujistěte, že došlo ke správnému zachycení háčků do příslušných podélných otvorů.

## Kontrola přítokové hadice na vodu

Stav přítokové hadice je třeba zkontrolovat alespoň jednou ročně. Jsou-li na ní viditelné praskliny nebo trhliny, je třeba ji vyměnit: silný tlak působící na hadici během pracího cyklu by mohl způsobit její náhlé roztržení.

! Nikdy nepoužívejte již použité hadice.

Může se stát, že pračka nebude fungovat. Dříve, než zatelefonujete na Servisní službu (viz „*Servisní služba*“), zkontrolujte, zda se nejedná o problém, který lze snadno vyřešit s pomocí následujícího seznamu.

## Poruchy:

## Možné příčiny / Způsob jejich odstranění:

### Pračku nelze zapnout.

- Zástrčka není zasunuta v zásuvce nebo není zasunuta natolik, aby došlo ke spojení kontaktů.
- V celém domě je vypnutý proud.

### Nedochází k zahájení pracího cyklu.

- Nejsou řádně zavřená dvířka.
- Nebylo stisknuto tlačítko ON/OFF.
- Nebylo stisknuto tlačítko START/PAUSE.
- Nebyl otevřen kohout přívodu vody.
- Byl nastaven odložený start (viz „*Uživatelská nastavení*“).

### Pračka nenapouští vodu (rychle bliká kontrolka první fáze praní).

- Přívodní hadice není připojena k vodovodnímu kohoutu.
- Hadice je příliš ohnutá.
- Nebyl otevřen kohout přívodu vody.
- V celém domě je uzavřený přívod vody.
- V rozvodu vody není dostatečný tlak.
- Nebylo stisknuto tlačítko START/PAUSE.

### Dochází k nepřetržitému napouštění a odčerpávání vody.

- Vypouštěcí hadice se nachází mimo určené rozmezí od 65 do 100 cm nad zemí (viz „*Instalace*“).
- Koncová část vypouštěcí hadice je ponořena ve vodě (viz „*Instalace*“).
- Odpad ve stěně není vybaven odvzdušňovacím otvorem.

Když ani po uvedených kontrolách nedojde k odstranění problému, uzavřete přívod vody, vypněte pračku a přivolejte Servisní službu. V případě, že se byt nachází na jednom z nejvyšších poschodí, je možné, že dochází k sifonovému efektu, jehož následkem pračka nepřetržitě napouští a odčerpává vodu. Pro odstranění uvedeného efektu jsou v prodeji běžně dostupné speciální protisifonové ventily.

### Nedochází k vyčerpání vody nebo k odstředování.

- Odčerpání vody netvoří součást nastaveného programu: u některých programů je třeba jej aktivovat manuálně.
- Vypouštěcí hadice je ohnutá (viz „*Instalace*“).
- Odpadové potrubí je ucpáno.

### Během odstředování je možné pozorovat silné vibrace pračky.

- Během instalace nebyl buben odjištěn předepsaným způsobem (viz „*Instalace*“).
- Pračka není dokonale vyrovnaná do vodorovné polohy (viz „*Instalace*“).
- Pračka je stlačena mezi nábytkem a stěnou (viz „*Instalace*“).

### Dochází k úniku vody z pračky.

- Přítoková hadice není správně zašroubována (viz „*Instalace*“).
- Dávkovač pracích prostředků je ucpán (způsob jeho vyčištění je uveden v části „*Údržba a péče*“).
- Vypouštěcí hadice není upevněna předepsaným způsobem (viz „*Instalace*“).

### Kontrolky „volitelné funkce“ a kontrolka „START/PAUSE“ blikají a jedna z kontrolek „probíhající fáze“ a „zablokovaná dvířka“ se rozsvítí stálým světlem.

- Vypněte zařízení a vytáhněte zástrčku ze zásuvky, vyčkejte přibližně 1 minutu a opětovně jej zapněte.  
Když porucha přetrvává, obraťte se na Servisní službu.

### Dochází k tvorbě nadměrného množství pěny.

- Použitý prací prostředek není vhodný pro použití v automatické pračce (musí obsahovat označení „pro praní v pračce“, „pro ruční praní nebo pro praní v pračce“ nebo podobné označení).
- Bylo použito jeho nadměrné množství.

# Servisní služba

---

CZ

## **Před přivoláním Servisní služby:**

- Zkontrolujte, zda nejste schopni poruchu odstranit sami (viz „*Poruchy a způsob jejich odstranění*“);
- Opětovně uveďte do chodu prací program, abyste ověřili, zda byla porucha odstraněna;
- V opačném případě se obraťte na Centrum servisní služby na telefonním čísle uvedeném na záručním listu.

! Nikdy se neobracejte s žádostí o pomoc na techniky, kteří nejsou k výkonu této činnosti oprávněni.

## **Při hlášení poruchy uveďte:**

- druh poruchy;
- model zařízení (Mod.);
- výrobní číslo (S/N).

Tyto informace jsou uvedeny na štítku aplikovaném na zadní část pračky a v její přední části, dostupné po otevření dvířek.



RO

Română

IWSC 51051

### Sumar

#### Instalare, 26-27

Despachetare și punere la nivel  
Racorduri hidraulice și electrice  
Primul ciclu de spălare  
Date tehnice

#### Descrierea mașinii de spălat și activarea unui program, 28-29

Panoul de control  
Indicatoare luminoase  
Activarea unui program

#### Programe, 30

Tabel de programe

#### Personalizare, 31

Reglarea temperaturii  
Reglarea centrifugării  
Funcții

#### Detergenți și rufe albe, 32

Compartimentul pentru detergenți  
Ciclu de albire  
Pregătirea rufelor  
Articole delicate  
Sistemul de echilibrare a încărcăturii

#### Precauții și sfaturi, 33

Norme de protecție și siguranță generale  
Aruncarea reziduurilor

#### Întreținere și curățare, 34

Înteruperea alimentării cu apă și curent electric  
Curățarea mașinii de spălat  
Curățarea compartimentului pentru detergent  
Îngrijirea ușii și a tamburului  
Curățarea pompei  
Controlarea furtunului de alimentare cu apă

#### Anomalii și remedii, 35

#### Asistență, 36

# Instalare

RO

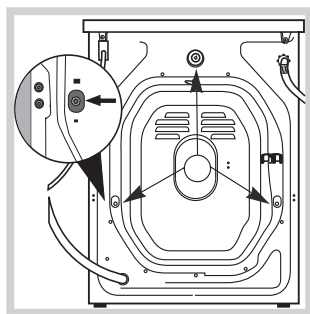
! Este important să păstrați acest manual pentru a-l putea consulta în orice moment. În caz de vânzare, de cesiune sau de schimbare a locuinței, acesta trebuie să rămână împreună cu mașina de spălat pentru a informa noul proprietar cu privire la funcționare și la respectivele avertismente.

! Citiți cu atenție instrucțiunile: veți găsi informații importante cu privire la instalare, la folosire și la siguranță.

## Despachetare și punere la nivel

### Despachetare

1. Scoaterea din ambalaj a mașinii de spălat.
2. Controlați ca mașina de spălat să nu fi fost deteriorată în timpul transportului. Dacă este deteriorată nu o conectați și luați legătura cu vânzătorul.



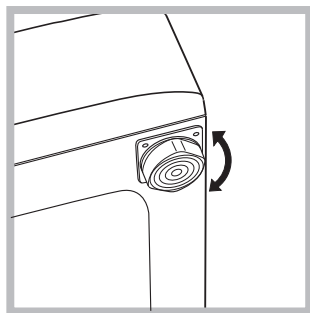
3. Scoateți cele 3 șuruburi de protecție pentru transport și cauciucul cu respectivul distanțier, situate în partea posterioară (a se vedea figura).

4. Închideți orificiile cu dopurile din plastic aflate în dotare.
5. Păstrați toate piesele: pentru cazul în care mașina de spălat va trebui să fie transportată, piesele vor trebui montate din nou.

! Ambalajele nu sunt jucării pentru copii!

### Punere la nivel

1. Instalați mașina de spălat pe o suprafață plană și rigidă, fără a o sprijini de ziduri, mobilă sau altceva.

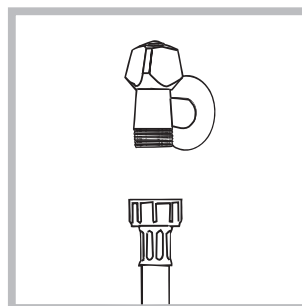


2. Dacă podeaua nu este perfect orizontală, compensați neregularitățile deșurubând sau înșurubând piciorușele anterioare (a se vedea figura); unghiul de înclinare, măsurat pe planul de lucru, nu trebuie să depășească 2°.

O nivelare precisă conferă stabilitate mașinii și evită vibrații, zgomote și deplasări pe timpul funcționării. În cazul mochetelor sau a unui covor, reglați piciorușele astfel încât să mențineți sub mașina de spălat un spațiu suficient pentru ventilare.

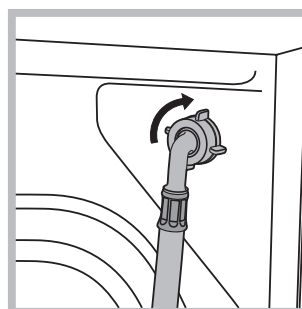
## Racorduri hidraulice și electrice

### Racordarea furtunului de alimentare cu apă



1. Conectați tubul de alimentare, înșurubându-l la un robinet de apă rece cu gura filetată de 3/4 gaz (a se vedea figura).

Înainte de conectare, lăsați apa să curgă până când nu a devine limpede.



2. Conectați tubul de alimentare la mașina de spălat, înșurubându-l la sursa de apă respectivă, amplasată în partea posterioară, sus în dreapta (a se vedea figura).

3. Fiți atenți ca furtunul să nu fie nici pliat nici îndoit.

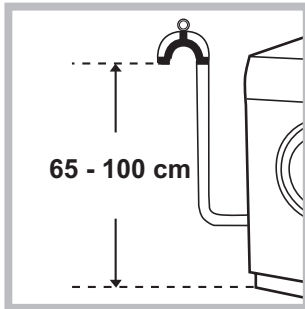
! Presiunea apei de la robinet trebuie să fie cuprinsă în valorile din tabelul Date tehnice (a se vedea pagina alăturată).

! Dacă lungimea furtunului de alimentare nu este suficientă, adresați-vă unui magazin specializat sau unui instalator autorizat.

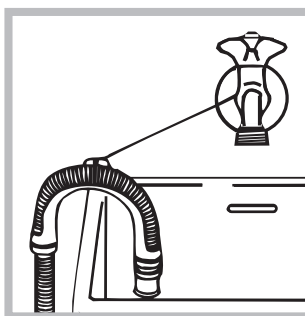
! Nu folosiți niciodată tuburi folosite deja.

! Utilizați tuburile furnizate împreună cu mașina.

### Conectarea furtunului de golire



Conectați furtunul de golire - fără a-l îndoi - la canalizare sau la racordul de golire prevăzut pe perete, la o înălțime de 65 - 100 cm de sol;



Sprrijiniți-l de marginea căzii sau chiuvetei și racordați șina de ghidare din dotare la robinet (*a se vedea figura*). Capătul liber al furtunului de golire nu trebuie să rămână cufundat în apă.

! Nu se recomandă folosirea furtunurilor prelungitoare; dacă este indispensabil, acestea trebuie să aibă același diametru ca și furtunul original și nu trebuie să depășească 150 cm lungime.

### Racordarea electrică

Înainte de a introduce stecherul în priză, asigurați-vă ca:

- priza să fie cu împământare și conform prevederilor legale;
- priza să poată suporta sarcina maximă de putere a mașinii, indicată în tabelul Date Tehnice (*a se vedea alături*);
- tensiunea de alimentare să fie cuprinsă în valorile indicate în tabelul Date Tehnice (*a se vedea alături*);
- priza să fie compatibilă cu stecherul mașinii de spălat. În caz contrar înlocuiți stecherul.

! Mașina de spălat nu trebuie instalată afară, nici chiar în cazul în care spațiul este adăpostit, deoarece este foarte periculoasă expunerea mașinii la ploaie și furtuni.

! După instalarea mașinii de spălat, priza de curent trebuie să fie ușor accesibilă.

! Nu folosiți prelungitoare și prize multiple.


! Cablul nu trebuie să fie îndoit sau comprimat.

! Cablul de alimentare trebuie să fie înlocuit doar de tehnicieni autorizați ai centrului de service ce apare scris pe certificatul de garanție emis de producător.

Atenție! Producătorul își declină orice responsabilitate în cazul în care aceste norme nu se respectă.

### Primul ciclu de spălare

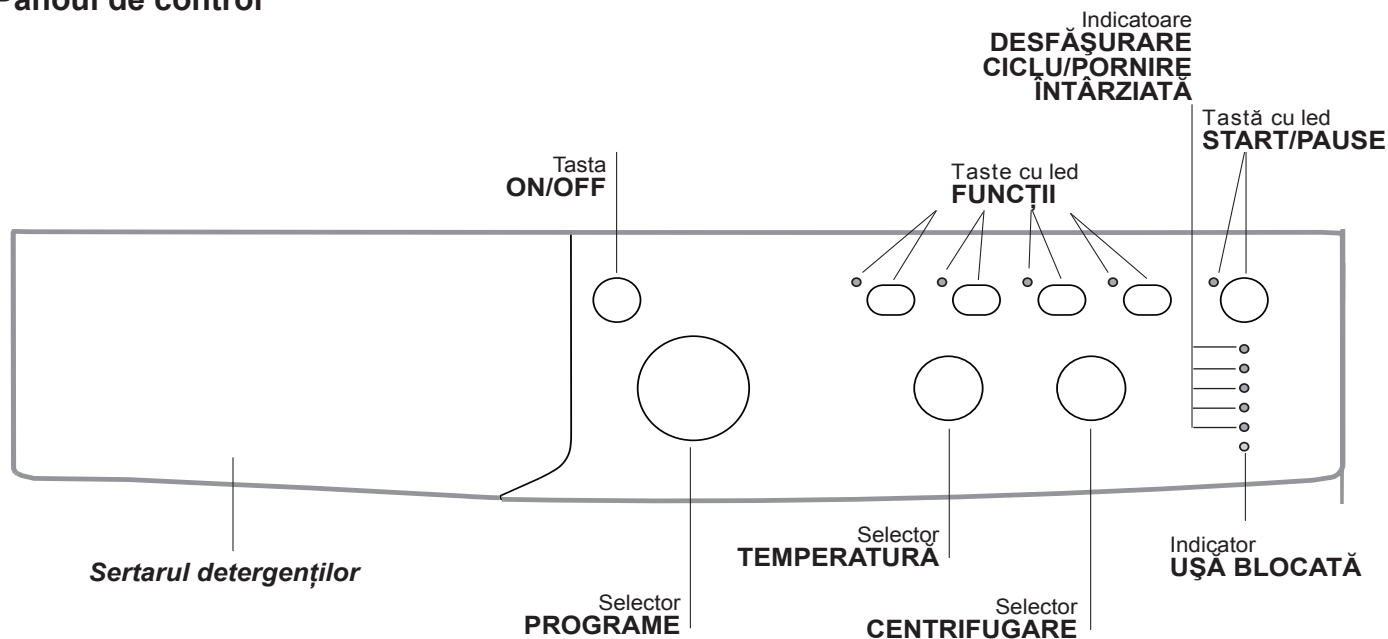
După instalare, înainte de folosire, efectuați un ciclu de spălare cu detergent și fără rufe, selectând programul 2.

Date tehnice	
Model	IWSC 51051
Dimensiuni	lărgime 59,5 cm înălțime 85 cm profundzime 44 cm
Capacitate	de la 1 la 5 kg
Legături electrice	Vezi placuta cu caracteristicile tehnice, aplicata pe masina.
Legături hidrice	presiune maximă 1 MPa (10 bari) presiune minimă 0,05 MPa (0,5 bari) capacitatea cuvei 40 litri
Viteza de centrifugare	până la 1000 de rotații pe minut
Programe de control conform directivelor 1061/2010 și 1015/2010.	Programul 2: program standard la 60 °C pentru rufe din bumbac. Programul 3: program standard la 40 °C pentru rufe din bumbac.
	Acest aparat este conform cu următoarele Directive Comunitare: - 2004/108/CE (Compatibilitate Electromagnetică) - 2006/95/CE (Tensiuni Joase) - 2002/96/CE
Zgomot (dB(A) re 1 pW)	Spălare: 59 Turație de centrifugare: 77

# Descrierea mașinii de spălat și activarea unui program

RO

## Panoul de control



**Sertarul detergenților:** pentru a introduce detergenți sau aditivi (a se vedea "Detergenți și rufe albe").

**Tasta ON/OFF:** pentru a porni și opri mașina.

**Selector PROGRAME:** pentru a selecta programele. Pe durata desfășurării programului selectorul rămâne în aceeași poziție.

**Taste cu led FUNCȚII:** pentru a selecta funcțiile disponibile. Indicatorul corespunzător funcției alese va rămâne aprins.

**Selector CENTRIFUGARE:** pentru a activa / anula centrifugarea (a se vedea "Personalizare").

**Selector TEMPERATURĂ:** pentru a selecta temperatura sau spălarea la rece (a se vedea "Personalizare").

**Indicatoare DESFĂȘURARE CICLU/PORNIRE ÎNTÂRZIATĂ:** pentru a putea urmări avansarea programului de spălare.

Indicatorul aprins arată faza în curs de desfășurare. Dacă a fost selectată funcția "Pornire întârziată", va fi indicat timpul care lipsește până la pornirea programului (a se vedea pag. alăturată).

**Indicador UȘĂ BLOCATĂ:** pentru a înțelege dacă ușa se poate deschide sau nu (a se vedea pag. alăturată).

**Tastă cu led START/PAUSE:** pentru a activa / opri momentan programele.

**N.B.:** pentru a întrerupe momentan un ciclu apăsați această tastă; ledul se va aprinde intermitent (culoare portocalie) în timp ce ledul corespunzător fazei în curs de desfășurare va rămâne aprins. Dacă indicatorul UȘĂ BLOCATĂ este stins, atunci ușa se poate deschide. Pentru a continua spălarea, de unde a fost întreruptă, apăsați din nou tasta.

### Modalitatea de stand by

Această mașină de spălat rufe, conform noilor norme legate de economia de curent electric, este dotată cu un sistem de oprire automat (stand-by) care intră în funcțiune după câteva minute de neutilizare. Apăsati scurt tasta ON-OFF și așteptați repunerea în funcțiune a mașinii.

Consum în off-mode: 1W

Consum în Left-on: 1W

## Indicatoare luminoase

Ledurile furnizează informații importante. Iată ce indică:

### Pornire întârziată

Dacă a fost activată funcția "Pornire întârziată" (a se vedea "Personalizare"), după activarea programului, se va aprinde intermitent ledul corespunzător întârzierii selectate:

3h 

6h 

9h 

12h 

Cu trecerea timpului, se va vizualiza întârzierea restantă, prin aprinderea intermitentă a ledului respectiv.

3h 

6h 

9h 

12h 

După trecerea intervalului de întârziere programat, va începe programul.

### Indicatoare de fază

După alegerea și activarea ciclului dorit, indicatoarele luminoase se vor aprinde unul după altul, ceea ce vă indică starea de avansare a programului:

Spălare	
Clătire	
Centrifugă	
Golire	
Sfârșit Spălare	

### Tastele de funcții și ledurile corespunzătoare

Alegerea unei funcții implică aprinderea ledului corespunzător.


Dacă funcția selectată nu este compatibilă cu programul ales, ledul corespunzător se va aprinde intermitent iar funcția nu se va activa.

Dacă funcția aleasă nu este compatibilă cu o funcție selectată anterior, indicatorul care corespunde primei funcții va emite un semnal intermitent iar indicatorul celei de a doua se va aprinde: acest lucru înseamnă că se va activa numai a doua funcție (ultima aleasă).

### Indicator ușă blocată:

Aprinderea ledului indică faptul că hubloul s-a blocat, pentru a împiedica deschiderea sa; pentru a putea deschide hubloul, așteptați aproximativ 3 minute, până la stingerea ledului. Pentru a deschide hubloul în timpul executării unui ciclu, apăsați tasta PORNIRE/PAUZĂ; dacă ledul UȘĂ BLOCATĂ este stins, atunci puteți deschide hubloul.



## Activarea unui program

1. Porniți mașina de spălat apăsând pe tasta ON/OFF. Toate indicatoarele se aprind câteva secunde, apoi se sting; indicatorul START/PAUSE se va aprinde intermitent.
2. Introduceți rufe și închideți ușa.
3. Selectați programul dorit cu ajutorul selectorului de PROGRAME.
4. Reglați temperatura de spălare (a se vedea "Personalizare").
5. Reglați viteza de centrifugare (a se vedea "Personalizare").
6. Adăugați detergentul și aditivii (a se vedea "Detergenți și rufe").
7. Alegeți funcțiile dorite.
8. Activați programul apăsând tasta START/PAUSE; indicatorul luminos se va aprinde (culoare verde). Pentru a anula un ciclu selectat, apăsați tasta START/PAUSE pentru a întrerupe momentan ciclul și alegeți un nou program.
9. La încheierea programului, indicatorul luminos END se va aprinde. După stingerea ledului corespunzător avertizării de UȘĂ BLOCATĂ , este posibilă deschiderea hubloului. Scoateți rufe și lăsați ușa întredeschisă pentru a se putea usca cuva și tamburul. Opriti mașina de spălat apăsând pe tasta ON/OFF.

# Programe

RO

Tabel de programe

Programe	Descrierea Programului	Temp. max. (°C)	Viteza max. (rotații pe minut)	Detergenți				Sarcina Max. (kg)	Umiditate reziduală %	Consum energie kWh	Apă totală lt	Durata ciclului de spălare
				Prespălare	Spălare	Balsam rufe	Decolorant					
<b>Programe zilnice (Daily)</b>												
1	<b>Prespalare bumbac:</b> Rufe albe foarte murdare.	90°	1000	●	●	●	-	5	62	1,68	61	145'
2	<b>Program standard la 60°C pentru rufe din bumbac (1):</b> Albe și colorate rezistente foarte murdare.	60° (Max. 90°)	1000	-	●	●	●	5	62	0,89	45	175'
3	<b>Program standard la 40°C pentru rufe din bumbac (2):</b> Albe și colorate delicate puțin murdare.	40°	1000	-	●	●	●	5	62	0,75	60	165'
4	<b>Sintetice:</b> Colorate rezistente foarte murdare.	60°	800	-	●	●	●	2,5	44	0,70	40	100'
4	<b>Sintetice (3):</b> Colorate delicate puțin murdare.	40°	800	-	●	●	●	2,5	44	0,47	38	90'
5	<b>Colorate bumbac:</b> Albe puțin murdare și colorate delicate.	40°	1000	-	●	●	●	5	62	0,59	48	80'
<b>20° Zone</b>												
6	<b>Program standard la 20°C pentru rufe din bumbac:</b> Albe și colorate delicate puțin murdare.	20°	1000	-	●	●	●	5	-	-	-	170'
7	<b>Mix Light</b>	20°	800	-	●	●	●	5	-	-	-	120'
8	<b>20' Refresh</b>	20°	800	-	●	●	-	1,5	-	-	-	20'
<b>Programe Speciale (Special)</b>												
9	<b>Mătase /perdele:</b> Pentru articolele din mătase, viscoză, lenjerie.	30°	0	-	●	●	-	1	-	-	-	55'
10	<b>Lână:</b> Pentru articole din lână, cașmir.	40°	800	-	●	●	-	1	-	-	-	55'
11	<b>Jeans</b>	40°	800	-	●	●	-	2,5	-	-	-	70'
<b>Sport</b>												
12	<b>Sport Intensive</b>	30°	600	-	●	●	-	2,5	-	-	-	85'
13	<b>Sport Light</b>	30°	600	-	●	●	-	2,5	-	-	-	60'
14	<b>Sport Shoes</b>	30°	600	-	●	●	-	(Max 2 perechi.)	-	-	-	55'
<b>Programe parțiale</b>												
	CLĂTIRE	-	1000	-	-	●	●	5	-	-	-	36'
	CENTRIFUGARE + EVACUARE	-	1000	-	-	-	-	5	-	-	-	16'

Durata ciclului indicată pe display sau în carte este calculată în baza unor condiții standard. Timpul efectiv poate varia în baza a numeroși factori, precum temperatura și presiunea apei la intrare, temperatura mediului, cantitatea de detergent, cantitatea și tipul încărcăturii, echilibrarea încărcăturii, opțiunile suplimentare selectate.

1) Programul de control conform normei 1061/2010: selectați programul 2 și temperatura de 60°C.

Acest ciclu este potrivit pentru curățarea unei încărcături de bumbac cu grad de murdărie normal și este cel mai eficient din punct de vedere al consumului combinat de energie și apă; se folosește pentru articole de îmbrăcăminte care pot fi spălate la 60°C. Temperatura efectivă de spălare poate diferi de cea indicată.

2) Programul de control conform normei 1061/2010: selectați programul 3 și temperatura de 40°C.

Acest ciclu este potrivit pentru curățarea unei încărcături de bumbac cu grad de murdărie normal și este cel mai eficient din punct de vedere al consumului combinat de energie și apă; se folosește pentru articole de îmbrăcăminte care pot fi spălate la 40°C. Temperatura efectivă de spălare poate diferi de cea indicată.

Pentru toate Instituțiile de Testare:

2) Program pentru bumbac, prelungit: selectați programul 3 și temperatura de 40°C.

3) Program sintetic de-a lungul: selectați programul 4 și temperatura de 40°C.

**Sport Intensive** (programul 12) a fost studiat pentru spălarea țesăturilor utilizate la confecționarea hainelor sportive (echipamente, pantaloni scurți etc.) foarte murdare; pentru cele mai bune rezultate, se recomandă să nu depășiți cantitatea maximă admisă indicată în „Tabel de programe”.

**Sport Light** (programul 13) a fost studiat pentru spălarea țesăturilor utilizate la confecționarea hainelor sportive (echipamente, pantaloni scurți etc.) puțin murdare; pentru cele mai bune rezultate, se recomandă să nu depășiți cantitatea maximă admisă indicată în „Tabel de programe”. Se recomandă utilizarea detergentului lichid într-o cantitate adecvată unei încărcări pe jumătate a mașinii.

**Sport Shoes** (programul 14) a fost studiat pentru spălarea pantofilor de sport; pentru cele mai bune rezultate, nu spălați mai mult de 2 perechi deodată.

**Programele 20° (20° Zone)** oferă performanțe bune de spălare la temperaturi scăzute, permițând o folosire redusă a energiei electrice, ceea ce înseamnă un beneficiu pentru mediul înconjurător și o economie de bani.

Programele 20° corespund tuturor exigențelor:

**Program standard la 20 °C pentru rufe din bumbac** (programul 6) ideal pentru rufe de bumbac murdare. Performanțele bune și la rece, comparabile cu o spălare la 40°, sunt garantate de o acțiune mecanică care lucrează prin varierea vitezei la intervale repetate și apropiate.

**Mix Light** (programul 7) ideal pentru rufe mixte (bumbac și sintetice) cu grad normal de murdărie. Performanțele bune de spălare și la rece sunt garantate de o acțiune mecanică care lucrează prin varierea vitezei la intervale medii și determinate.

**20' Refresh** (programul 8) ciclul ideal pentru a împropăta și spăla rufe ușor murdare în câteva minute. Durează doar 20 de minute ceea ce economisește energie și timp. Este posibil să spălați împreună țesuturi diferite (în afară de lână și mătase); greutatea maximă admisă este de 1,5 kg.

## Reglarea temperaturii

Rotind selectorul de TEMPERATURĂ se fixează temperatura de spălare (a se vedea Tabelul programelor).

Temperatura poate fi redusă până la spălarea la rece (❄).

Mașina va împiedica în mod automat de a alege o temperatură mai mare decât maxima admisă pentru fiecare program.

! Excepție: dacă selectați programul 2 temperatura poate fi crescută până la 90°.

## Reglarea centrifugării

Rotind selectorul de CENTRIFUGARE se stabilește viteza de stoarcere pentru programul selectat.

Vitezele maxime, prevăzute pentru programe sunt:

Programe	Viteză maximă
Bumbac	1000 rotații pe minut
Sintetice	800 rotații pe minut
Lână	800 rotații pe minut
Mătase	excludere stoarcere

Viteza de centrifugare poate fi redusă sau centrifugarea poate fi exclusă selectând simbolul (⊘).

Mașina va împiedica în mod automat alegerea unei viteze mai mari decât maxima admisă pentru fiecare program.

## Funcții

Diferitele funcții de spălare prevăzute pentru mașina de spălat, permit obținerea unor rufe curate și albe, după dorință.


Pentru a activa funcțiile:

1. apăsați tasta corespunzătoare funcției dorite;
2. aprinderea ledului respectiv indică activarea funcției.


**Notă:** Semnalul luminos intermitent, rapid, indică faptul că funcția respectivă nu este compatibilă cu programul ales.

### EcoTime

Prin selectarea acestei opțiuni, mișcarea mecanică, temperatura și apa sunt optimizate pentru o cantitate scăzută de țesături de bumbac și sintetice puțin murdare „Tabel de programe”. Cu “EcoTime” puteți spăla în timp mai scurt, economisind apă și energie. Se recomandă utilizarea unei cantități de detergent lichid adecvată cantității de rufe.

! Nu poate fi activată pe programele 1, 6, 7, 8, 9, 10, 11, 12, 13, 14, .

### Energy Saver

Funcția  contribuie la economia de energie, neîncălzind apa folosită pentru spălarea rufelor – un avantaj atât pentru mediul înconjurător, cât și pentru factura de curent electric. Într-adevăr, acțiunea mai puternică și consumul optimizat de apă garantează rezultate optime în aceeași durată medie a unui ciclu standard. Pentru a obține rezultate mai bune ale spălării, se recomandă folosirea unui detergent lichid.

! Nu se poate activa pe programele 1, 6, 7, 8, 9, 10, 12, 13, 14, .

### Antipată

Ciclu de decolorare adecvat pentru eliminarea petelor mai rezistente. A se vărsa decolorantul în sertarul adițional 4 (a se vedea “Ciclu de albire”).

! Nu se poate activa pe programele 1, 8, 9, 10, 11, 12, 13, 14, .

### Pornirea întârziată

Întârzie pornirea mașinii cu până la 12 de ore.

Apăsați de mai multe ori până la aprinderea butonului cu întârzierea dorită. La a cincea apăsare a tastei, funcția se va dezactiva.

**N.B.:** După apăsarea butonului START/PAUSE, se va putea modifica întârzierea doar diminuând-o, până la pornirea programului dorit.

! Se poate activa pe toate programele.

# Detergenți și rufe albe

RO

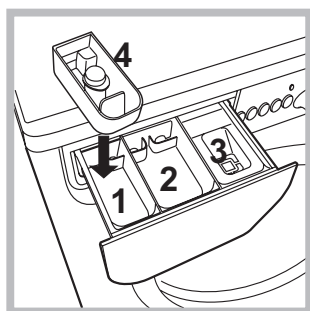
## Compartimentul pentru detergenți

Un rezultat bun la spălare depinde și de dozarea corectă a detergentului: excesul de detergent nu garantează o spălare mai eficientă, ci contribuie la deteriorarea părților interne ale mașinii de spălat și la poluarea mediului înconjurător.

! Nu introduceți în mașină detergenții pentru spălarea manuală deoarece formează prea multă spumă.

! Utilizați detergenți praf pentru rufe albe de bumbac, pentru prespălare și pentru spălarea la temperaturi mai mari de 60°C.

! Respectați indicațiile de pe ambalajul detergentului.



Deschideți compartimentul pentru detergenți și introduceți detergentul sau aditivul după cum urmează:

### compartiment 1: Detergent pentru prespălare (sub formă de praf)

Înainte de a adăuga detergentul verificați ca sertarul adițional 4 să nu fie introdus.

### compartiment 2: Detergent pentru spălare (sub formă de praf sau lichid)

Detergentul lichid trebuie vărsat doar înainte de pornire.

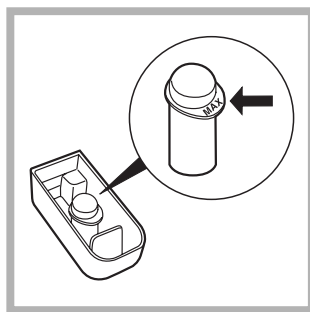
### compartiment 3: Aditivi (soluție de înmuiat, balsam rufe etc.)

Soluția de înmuiat nu trebuie să iasă deasupra grătarului.

### compartiment adițional 4: Decolorant (Înălbitor)

## Ciclu de albire

! Decolorantul **tradițional** se folosește pentru țesături rezistente albe, cel **delicat** pentru țesături colorate, sintetice și pentru lână.



Introduceți sertarul adițional 4, aflat în dotare, în sertarul 1.

Când dozați decolorantul nu depășiți nivelul „max” indicat pe pivotul central (vezi figura).

Pentru efectuarea doar a decolorării, vărsați decolorantul în sertarul adițional 4, selectați programul “Clătire” și activați opțiunea “Antipată”.

Pentru albirea în timpul spălării, vărsați detergentul și aditivii, selectați programul dorit și activați opțiunea “Antipată”. Folosirea sertarului adițional 4 exclude prespălarea.

## Pregătirea rufelor

- Sortați rufe în funcție de:
  - tipul de material / simbolul de pe etichetă.
  - culori: separați rufe colorate de cele albe.
- Goliți buzunarele și controlați nasturii.
- Nu depășiți valorile indicate în “Tabel de Programe” referitoare la greutatea rufelor uscate:

## Cât cântăresc rufe?

- 1 cearceaf 400-500 g.
- 1 față de pernă 150-200 g.
- 1 față de masă 400-500 g.
- 1 halat de baie 900-1.200 g.
- 1 prosop 150-250 g.

## Articole delicate

**Mătase:** utilizați programul special 9 pentru spălarea articolelor din mătase. Se recomandă folosirea unui detergent special pentru articole delicate.

**Perdele:** împăturiți-le și așezați-le într-o față de pernă sau într-un sac de tip plasă. Utilizați programul 9.

**Lână:** Cu programul 10 se pot spăla cu mașina toate hainele de lână, inclusiv cele cu eticheta „a se spăla numai manual”. Pentru a obține cele mai bune rezultate, folosiți un detergent specific și nu depășiți 1 kg de rufe.

**Jeans:** întoarceți pe dos rufe înainte de spălare și utilizați un detergent lichid. Utilizați programul 11.

## Sistemul de echilibrare a încărcăturii

Pentru a evita trepidațiile excesive, înainte de storcere, cuva mașinii va distribui cantitatea de rufe în mod uniform, centrifuga efectuând câteva rotații la o viteză mai mare decât viteza de spălare. Dacă, după numeroase încercări, mașina nu reușește să echilibreze greutatea, storcerea rufelor se va face la o viteză mai mică decât cea prevăzută în program. Dacă instabilitatea este prea mare, mașina va distribui greutatea în locul centrifugei. Pentru a favoriza o mai bună repartizare a rufelor și echilibrarea corectă a mașinii, se recomandă să introduceți în mașină atât articole mari cât și mici.



! Mașina de spălat a fost proiectată și construită conform normelor internaționale de protecție. Aceste avertizări sunt furnizate din motive de siguranță și trebuie să fie citite cu atenție.

## Norme de protecție și siguranță generale

- Acest aparat a fost conceput exclusiv pentru utilizarea în locuințe unifamiliale.
- Mașina de spălat trebuie să fie folosită doar de persoane adulte care respectă instrucțiunile din acest manual.
- Nu atingeți mașina când sunteți desculți sau cu mâinile sau picioarele ude sau umede.
- Nu scoateți stecherul din priză trăgând de cablu.
- Nu deschideți compartimentul pentru detergent în timp ce mașina se află în funcțiune.
- Nu atingeți apa goliță din mașină: poate avea o temperatură ridicată.
- Nu forțați în nici un caz ușa: s-ar putea deteriora mecanismul de siguranță care evită deschiderea accidentală.
- În caz de defecțiune, nu umblați în nici un caz la mecanismele din interior și nu încercați să o reparați singuri.
- Controlați mereu ca în apropierea mașinii aflate în funcțiune, să nu se afle copii.
- Pe durata spălării ușa se poate încălzi.
- Dacă trebuie să deplasați mașina, cereți ajutor unei alte (sau 2) persoane și fiți foarte atenți. Niciodată nu deplasați mașina singuri deoarece aceasta este foarte grea.
- Înainte de a introduce rufele, controlați cuva să fie goală.

## Aruncarea reziduurilor

- Eliminarea ambalajelor: respectați normele locale, în acest fel ambalajele vor putea fi utilizate din nou.
- Directiva Europeană 2002/96/CE cu privire la deșeurile care provin de la aparatura electrică sau electronică prevede ca aparatele electrocasnice să nu fie colectate împreună cu deșeurile urbane solide, obișnuite. Aparatele scoase din uz trebuie să fie colectate separat atât pentru a optimiza rata de recuperare și de reciclare a materialelor componente cât și pentru a evita pericolele care pot duce la dăunarea sănătății omului sau poluarea mediului înconjurător. Simbolul tomberonului tăiat care apare pe toate produsele vă amintește tocmai obligația de a le colecta separat.  
Pentru informații suplimentare cu privire la scoaterea din uz a electrocasnicilor, deținătorii acestora pot apela la centrele de colectare a deșeurilor sau la vânzătorii de la care au achiziționat produsele respective.

## Atenționări în conformitate cu legislația în vigoare

- Conform prevederilor legislației privind gestionarea deșeurilor, este interzisă eliminarea deșeurilor de echipamente electrice și electronice (DEEE) alături de deșeurile municipale nesortate. Ele trebuie predate la punctele municipale de colectare, societățile autorizate de colectare/reciclare sau distribuitori (în cazul în care se achiziționează echipamente noi de același tip).
- Autoritățile locale trebuie să asigure spațiile necesare pentru colectarea selectivă a deșeurilor precum și funcționalitatea acestora. Contactați societatea de salubritate sau compartimentul specializat din cadrul primăriei pentru informații detaliate.
- Deșeurile de echipamente electrice și electronice pot fi predate și distribuitorilor, la achiziționarea de echipamente noi de același tip (schimb 1 la 1).
- Predarea, de către utilizatori, a deșeurilor de echipamente electrice și electronice, la punctele de colectare municipale, societățile autorizate de colectare/reciclare sau distribuitori (în cazul în care se achiziționează echipamente noi de același tip) facilitează refolosirea, reciclarea sau alte forme de valorificare a acestora.
- Deșeurile de echipamente electrice și electronice pot conține substanțe periculoase care pot avea un impact negativ asupra mediului și sănătății umane în cazul în care DEEE nu sunt colectate selectiv și gestionate conform prevederilor legale.
- Simbolul alăturat (o pubela cu roți, barata cu două linii în forma de X), aplicat pe un echipament electric sau electronic, semnifică faptul că acesta face obiectul unei colectări separate și nu poate fi eliminat împreună cu deșeurile municipale nesortate.



# Întreținere și curățare

RO

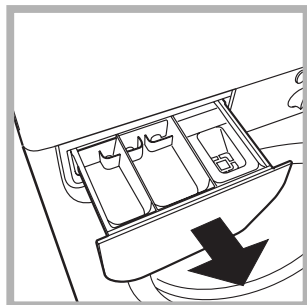
## Înteruperea alimentării cu apă și curent electric

- Închideți robinetul de apă după fiecare spălare. Se limitează astfel uzura instalației hidraulice a mașinii de spălat și se elimină pericolul scurgerilor.
- Scoateți stecherul din priză de curent atunci când curățați mașina de spălat și când se efectuează lucrări de întreținere.

## Curățarea mașinii de spălat

Partea externă și părțile din cauciuc pot fi curățate cu o lavetă înmuiată în apă caldă și săpun. Nu folosiți solvenți sau substanțe abrazive.

## Curățarea compartimentului pentru detergent



Trageți afara compartimentul ridicându-l și tragându-l spre exterior (a se vedea figura).

Spălați-l sub un jet de apă; această operație trebuie efectuată cât mai des posibil.

## Îngrijirea ușii și a tamburului

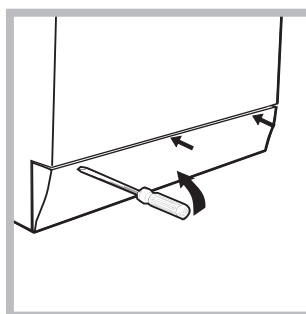
- Lăsați mereu ușa întredeschisă pentru a evita formarea de mirosuri neplăcute.

## Curățarea pompei

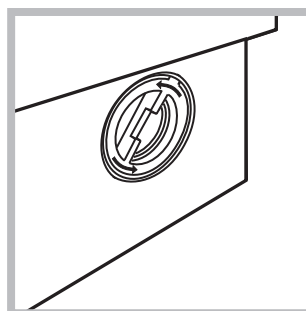
Mașina de spălat este dotată cu o pompă de autocurățare care nu are nevoie de întreținere. Se poate întâmpla însă ca unele obiecte mici (monede, nasturi) să cadă în anticamera care protejează pompa, situată în partea inferioară a acesteia.

! Verificați ca ciclul de spălare să fie încheiat și scoateți stecherul din priză.

Pentru a avea acces la anticameră:



1. scoateți panoul de acoperire din partea din față a mașinii de spălat folosind o șurubelniță (a se vedea figura);



2. deșurubați capacul rotindu-l în sens invers acelor de ceasornic (a se vedea figura). Este normal să iasă puțină apă;

3. curățați cu grijă interiorul;
4. înșurubați la loc capacul;
5. montați din nou panoul verificând, înainte de a-l împinge spre mașină, de a fi introdus cărligele în orificiile respective.

## Controlarea furtunului de alimentare cu apă

Controlați tubul de alimentare cel puțin o dată pe an. Dacă prezintă crăpături sau fisuri trebuie înlocuit: pe parcursul spălărilor, presiunea puternică ar putea provoca crăpături neașteptate.

! Nu folosiți niciodată tuburi folosite deja.

Se poate întâmpla ca mașina de spălat să nu funcționeze. Înainte de a apela serviciul de Service (a se vedea "Asistență"), verificați dacă nu este vorba de o problemă ușor de rezolvat:

## Anomalii:

## Cauze posibile / Rezolvare:

### Mașina de spălat nu pornește.

- Stecherul nu este introdus în priză de curent, sau nu face contact.
- Aveți o pană de curent la domiciliu.

### Ciclul de spălare nu pornește.

- Ușa nu este bine închisă.
- Tasta ON/OFF nu a fost apăsată.
- Tasta START/PAUSE nu a fost apăsată.
- Robinetul de apă nu este deschis.
- A fost fixată o întârziere de pornire (a se vedea "Personalizare").

### Mașina de spălat nu se alimentează cu apă (ledul primei faze de spălare se aprinde intermitent și rapid).

- Furtunul de alimentare cu apă nu este racordat la robinet.
- Furtunul este îndoit.
- Robinetul de apă nu este deschis.
- Apa la domiciliul dumneavoastră.
- Apa nu are presiune suficientă.
- Tasta START/PAUSE nu a fost apăsată.

### Mașina de spălat încarcă și descarcă apă continuu.

- Furtunul de golire nu a fost instalat la o înălțime cuprinsă între 65 și 100 cm de pământ (a se vedea "Instalare").
- Capătul furtunului de evacuare este cufundat în apă (a se vedea "Instalare").
- Evacuarea din perete nu are răsuflare pentru aer.

Dacă după aceste verificări problema nu se rezolvă, închideți robinetul de apă, opriți mașina de spălat și chemați Service-ul. Dacă locuința se află la ultimele etaje ale unui edificiu, este posibil să aibă loc fenomene de sifonare, motiv pentru care mașina de spălat încarcă și descarcă apă încontinuu. Pentru a elimina acest inconvenient, se găsesc în comerț supape anti-sifonare.

### Mașina de spălat nu se golește sau nu stoarce.

- Programul nu prevede golirea apei: în cazul anumitor programe, este necesară activarea manuală.
- Furtunul de golire este îndoit (a se vedea "Instalare").
- Conducta de descărcare este înfundată.

### Mașina de spălat vibrează foarte mult în timpul stocării.

- Cuva, în momentul instalării, nu a fost deblocată în mod corespunzător (a se vedea "Instalare").
- Mașina de spălat este în pantă (a se vedea "Instalare").
- Mașina de spălat este prea aproape de pereți și mobilier (a se vedea "Instalare").

### Mașina de spălat pierde apă.

- Furtunul de alimentare cu apă nu este bine înșurubat (a se vedea "Instalare").
- Compartimentul de detergenți este înfundat (pentru a-l curăța a se vedea "Întreținere și curățare").
- Furtunul de golire nu este bine fixat (a se vedea "Instalare").

### Indicatoarele de "optiuni" și "start/pause" sunt intermitente; unul din indicatoarele ptr. "faza în curs" și "usa blocata" sunt aprinse.

- Opriți mașina și scoateți stecherul din priză; așteptați aproximativ 1 minut înainte de a o reaprinde.
- Dacă nu obțineți nici un rezultat, apelați Centrul de service pentru asistență.

### Se formează prea multă spumă.

- Detergentul nu este compatibil cu mașina de spălat (trebuie să fie scris „pentru mașina de spălat”, „de mână sau în mașina de spălat”, sau ceva asemănător).
- Dozajul a fost excesiv.

# Asistență

---

RO

## Înainte de a lua legătura cu Service-ul:

- Verificați dacă puteți rezolva singuri problema (*a se vedea "Anomalii și remedii"*);
- Porniți din nou programul pentru a controla dacă inconvenientul a fost eliminat;
- În caz negativ, luați legătura cu asistența tehnică autorizată la numărul telefonic indicat pe certificatul de garanție.

! Nu apelați niciodată la persoane neautorizate.

## Comunicați:

- tipul de anomalie;
- modelul mașinii (Mod.);
- numărul de serie (S/N).

Aceste informații sunt specificate pe plăcuța cu date tehnice, lipită în partea din spate a mașinii de spălat precum și în partea anterioară, după ce deschideți ușa.

DE

Deutsch

IWSC 51051

DE

### INHALTSVERZEICHNIS

#### **Installation 38-39**

Auspacken und Aufstellen  
Wasser- und Elektroanschlüsse  
Erster Waschgang  
Technische Daten

#### **Beschreibung des Waschvollautomaten und Starten eines Waschprogramms 40-41**

Bedienblende  
Kontrollleuchten  
Starten eines Waschprogramms

#### **Waschprogramme, 42**

Programmtabelle

#### **Personalisierungen 43**

Temperatureinstellung  
Schleudereinstellung  
Funktionen

#### **Waschmittel und Wäsche 44**

Waschmittelschublade  
Bleichen  
Vorsortieren der Wäsche  
Besondere Wäscheteile  
Unwuchtkontrollsystem

#### **Vorsichtsmaßnahmen und Hinweise 45**

Allgemeine Sicherheit  
Entsorgung

#### **Reinigung und Pflege 46**

Abstellen der Wasser- und Stromversorgung  
Reinigung des Gerätes  
Reinigung der Waschmittelschublade  
Pflege der Gerätetür und Trommel  
Reinigung der Pumpe  
Kontrolle des Wasserzulaufschlauchs

#### **Störungen und Abhilfe 47**

#### **Kundendienst 48**

# Installation

DE

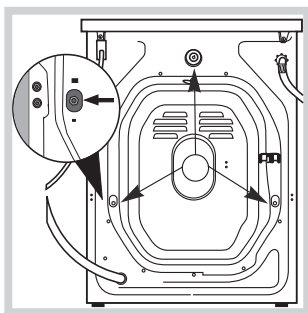
! Es ist äußerst wichtig, diese Bedienungsanleitung sorgfältig aufzubewahren, um sie jederzeit zu Rate ziehen zu können. Sorgen Sie dafür, dass sie im Falle eines Umzugs oder einer Übergabe an einen anderen Benutzer das Gerät stets begleitet, damit auch der neue Inhaber die Möglichkeit hat, diese zu Rate zu ziehen.

! Lesen Sie die Hinweise bitte aufmerksam durch, sie liefern wichtige Informationen hinsichtlich der Installation, des Gebrauchs und der Sicherheit.

## Auspacken und Aufstellen

### Auspacken

1. Gerät auspacken.
2. Sicherstellen, dass der Waschvollautomat keine Transportschäden erlitten hat. Im Falle einer Beschädigung Gerät bitte nicht anschließen, sondern den Kundendienst anfordern.



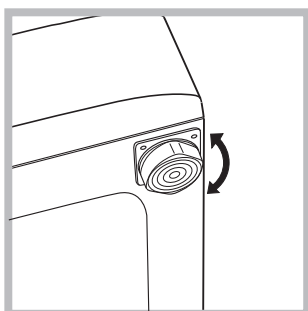
3. Die 3 Transportschutzschrauben herauschrauben und die an der Geräterückwand befindlichen Distanzstücke aus Gummi entfernen (siehe Abbildung).

4. Die Öffnungen mittels der mitgelieferten Abdeckungen verschliessen.
5. Sämtliche Teile aufbewahren: Sollte der Waschautomat erneut transportiert werden, müssen diese Teile wieder eingesetzt werden.

! Verpackungsmaterial ist kein Spielzeug für Kinder.

### Nivellierung

1. Der Waschvollautomat muss auf einem ebenen, festen, schwingungsfreien Untergrund aufgestellt werden ohne diesen an Wände, Möbel etc. direkt anzulehnen.

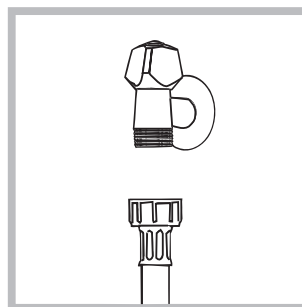


2. Sollte der Boden nicht perfekt eben sein, müssen die Unebenheiten durch An- bzw. Ausdrehen der vorderen Stellfüße ausgeglichen werden (siehe Abbildung), der auf der Arbeitsfläche zu ermittelnde Neigungsgrad darf 2° nicht überschreiten.

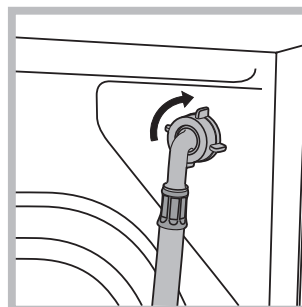
Eine präzise Nivellierung verleiht dem Gerät die erforderliche Stabilität, durch die Vibrationen, Betriebsgeräusche und ein Verrücken des Gerätes vermieden werden. Bei Teppichböden müssen die Stellfüße so reguliert werden, dass ein ausreichender Freiraum zur Belüftung unter dem Waschvollautomaten gewährleistet ist.

## Wasser- und Elektroanschlüsse

### Anschluss des Zulaufschlauches



1. Schrauben Sie den Wasserschlauch an einen Kaltwasserhahn mit  $\frac{3}{4}$ -GAS-Gewindeanschluss an (siehe Abb.). Lassen Sie das Wasser vor dem Anschluss so lange auslaufen, bis klares Wasser austritt.



2. Das andere Ende des Schlauches an den oben rechts am Rückteil des Waschvollautomaten befindlichen Wasseranschluss anschließen (siehe Abbildung).

3. Der Schlauch darf hierbei nicht eingeklemmt oder abgknickt werden.

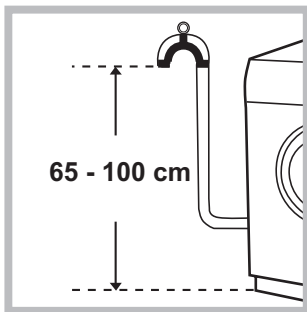
! Der Wasserdruck muss innerhalb der Werte liegen, die in der Tabelle der technischen Daten angegeben sind (siehe nebenstehende Seite).

! Sollte der Zulaufschlauch nicht lang genug sein, dann wenden Sie sich bitte an einen Fachhändler oder an einen autorisierten Fachmann.

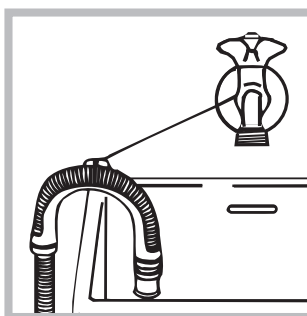
! Verwenden Sie niemals bereits gebrauchte Schläuche.

! Verwenden Sie die Schläuche, die mit dem Gerät geliefert wurden.

## Anschluss des Ablaufschlauches



Schließen Sie den Ablaufschlauch ohne ihn dabei abzuknicken an einen geeigneten Abfluss an. Die Mindestablaufhöhe beträgt 65 - 100 cm (gemessen vom Boden), oder hängen Sie diesen mittels des Schlauchhalters gesichert in ein Becken oder Wanne ein;



Befestigen Sie diesen mittels des mitgelieferten Schlauchhalters z.B. an einen Wasserhahn (siehe Abbildung). Das freie Ablaufschlauchende darf nicht unter Wasser positioniert werden.

! Verlängerungsschläuche sollten nicht eingesetzt werden. Sollte dies unvermeidlich sein, muss die Verlängerung denselben Durchmesser des Originalschlauchs aufweisen und darf eine Länge von 150 cm nicht überschreiten.

## Stromanschluss

Vor Einfügen des Netzsteckers in die Steckdose ist sicherzustellen, dass:

- die Steckdose über eine normgerechte Erdung verfügt;
- die Steckdose die in den Technischen Daten angegebenen Höchstlast des Gerätes trägt (siehe nebenstehende Tabelle);
- die Stromspannung den in den Technischen Daten angegebenen Werten entspricht (siehe nebenstehende Tabelle);
- die Steckdose mit dem Netzstecker des Waschvollautomaten kompatibel ist. Andernfalls muss der Netzstecker (oder die Steckdose) ersetzt werden.

! Der Waschvollautomat darf nicht im Freien installiert werden, auch nicht, wenn es sich um einen geschützten Platz handelt. Es ist gefährlich, das Gerät Gewittern und Unwettern auszusetzen.

! Die Steckdose sollte nach installiertem Gerät leicht zugänglich sein.

! Verwenden Sie bitte keine Verlängerungen oder Mehrfachstecker.

! Das Netzkabel darf nicht gebogen bzw. eingeklemmt werden.

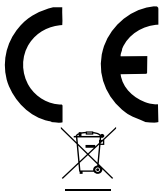
! Das Versorgungskabel darf nur durch autorisierte Fachkräfte ausgetauscht werden.

Achtung! Der Hersteller übernimmt keinerlei Haftung, sollten diese Vorschriften nicht genau beachtet werden.

## Erster Waschgang

Lassen Sie nach der Installation bzw. vor erstmaligem Gebrauch erst einen Waschgang (mit Waschmittel) ohne Wäsche durchlaufen. Stellen Sie hierzu das Waschprogramm 2 ein.

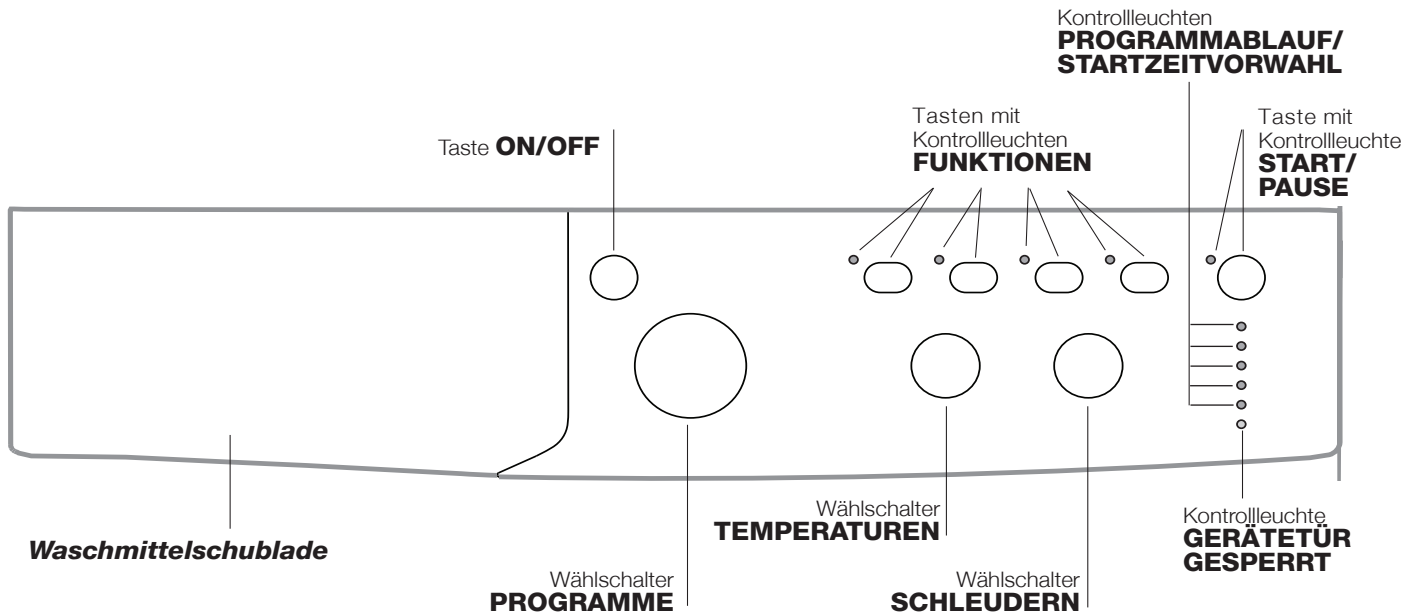
## Technische Daten

<b>Modell</b>	IWSC 51051
<b>Abmessung</b>	Breite 59,5 cm Höhe 85 cm Tiefe 44 cm
<b>Fassungsvermögen</b>	1 bis 5 kg
<b>Elektroanschlüsse</b>	siehe das am Gerät befindliche Typenschild
<b>Wasseranschlüsse</b>	Höchstdruck 1 MPa (10 bar) Minstdruck 0,05 MPa (0,5 bar) Trommelvolumen 40 Liter
<b>Schleudertouren</b>	bis zu 1000 U/min.
<b>Prüfprogramme gemäß der Richtlinien 1061/2010 und 1015/2010</b>	Programm 2: Baumwolle standard 60°C. Programm 3: Baumwolle standard 40°C.
	Dieses Gerät entspricht den folgenden EG-Richtlinien: - 2004/108/CE (elektromagnetische Verträglichkeit) und nachfolgenden Änderungen - 2002/96/CE - 2006/95/CE (Niederspannung)

# Beschreibung des Waschvollautomaten und Starten eines Waschprogramms

DE

## Bedienblende



**Waschmittelschublade:** für Waschmittel und Zusätze (siehe „Waschmittel und Wäsche“).

**Taste ON/OFF:** Zum Ein- und Ausschalten Ihres Waschvollautomaten.

**Wählschalter PROGRAMME:** Zur Wahl der Waschprogramme. Während des Programmablaufs bleibt der Schalter feststehend.

**Tasten mit Kontrollleuchten FUNKTIONEN:** Zur Einstellung der verfügbaren Funktionen. Die der gewählten Einstellung entsprechende Kontrollleuchte bleibt eingeschaltet.

**Wählschalter SCHLEUDERN:** oder um das Schleudern auszuschliessen (siehe „Personalisierungen“).

**Wählschalter TEMPERATUREN:** Zur Einstellung der Waschtemperatur oder einer Kaltwäsche (siehe „Personalisierungen“).

**Kontrollleuchten PROGRAMMABLAUF/STARTZEITVORWAHL:** Zur Kontrolle des Waschprogrammablaufs. Die eingeschaltete Kontrollleuchte zeigt die laufende Programmphase an.

Wurde die Funktion „Startzeitvorwahl“ eingestellt, zeigen sie die bis zum Start noch verbleibende Zeit an (siehe Nebenseite).

**Kontrollleuchte GERÄTETÜR GESPERRT:** Diese Taste zeigt an, ob die Gerätetür geöffnet werden kann oder nicht (siehe Nebenseite).

**Taste mit Kontrollleuchte START/PAUSE:** Mittels dieser Taste werden die Waschprogramme gestartet oder kurz unterbrochen.

**NB:** Durch Drücken dieser Taste, kann das Waschprogramm zeitweilig unterbrochen werden (Pause). Die entsprechende Kontrollleuchte schaltet auf orangefarbenes Blinklicht, die Kontrollleuchte der bestehenden Programmphase dagegen schaltet auf Dauerlicht. Sobald die Kontrollleuchte GERÄTETÜR GESPERRT erlischt, kann die Gerätetür geöffnet werden.

Um das Programm an der Stelle, an der es unterbrochen wurde, wieder in Gang zu setzen, drücken Sie diese Taste erneut.

### Funktion Standby

Zur Erfüllung der neuen Richtlinien zum Energieverbrauch ist diese Waschmaschine mit einem automatischen Ausschaltsystem (Standby) ausgestattet, das nach 30 Minuten des Nichtgebrauchs in Funktion tritt. Drücken Sie kurz die Taste ON/OFF und warten Sie, bis sich die Maschine wieder einschaltet.

Verbrauch in Off-Betrieb: 1W

Verbrauch in Left-On: 1W



## Kontrollleuchten

Die Kontrollleuchten liefern wichtige Hinweise. Sie signalisieren:

### Startzeitvorwahl

Wurde die Funktion „Startzeitvorwahl“ (siehe „Personalisierungen“) aktiviert, und das Programm in Gang gesetzt, schaltet die Kontrollleuchte, die der eingestellten Zeitverschiebung entspricht, auf Blinklicht:

3h 

6h 

9h 

12h 

Nach und nach wird die bis zum effektiven Start noch verbleibende Zeit eingblendet, die entsprechende Kontrollleuchte blinkt:

3h 

6h 

9h 

12h 

Nach Ablauf der eingestellten Verzögerungszeit startet das ausgewählte Programm.


### Laufende Programmphase

Wurde das Waschprogramm gewählt und gestartet, leuchten die Kontrollleuchten nach und nach auf, und zeigen so den jeweiligen Programmstand an.





## Starten eines Waschprogramms

1. Schalten Sie den Waschvollautomaten durch Drücken der ON/OFF-Taste ein. Sämtliche Kontrollleuchten leuchten für einige Sekunden auf, und erlöschen wieder. Die Kontrollleuchte START/PAUSE schaltet auf Blinklicht.
2. Füllen Sie die Wäsche ein, und schließen Sie die Gerätetür.
3. Stellen Sie mittels des Wählschalters PROGRAMME das gewünschte Programm ein.
4. Stellen Sie die Waschtemperatur ein (siehe „Personalisierungen“).
5. Stellen Sie die Schleuderstufe ein (siehe „Personalisierungen“).
6. Füllen Sie Waschmittel und Zusätze ein (siehe „Waschmittel und Wäsche“).
7. Wählen Sie die gewünschten Funktionen.
8. Setzen Sie das Programm in Gang. Drücken Sie hierzu die Taste START/PAUSE. Die entsprechende Kontrollleuchte bleibt eingeschaltet (grünes Dauerlicht).

Um die Waschprogramm-Einstellung rückgängig zu machen, muss das Gerät auf Pause geschaltet werden. Drücken Sie hierzu die Taste START/PAUSE. Wählen Sie daraufhin das neue Programm.

9. Nach Ablauf des Waschprogramms leuchtet die Kontrollleuchte **END** auf. Sobald die Kontrollleuchte GERÄTETÜR GESPERRT  erlischt, kann das Bullauge geöffnet werden. Nehmen Sie die Wäsche aus der Maschine und lassen Sie die Gerätetür leicht offen stehen, damit die Trommel trocknen kann.

Schalten Sie den Waschvollautomaten durch Drücken der ON/OFF-Taste aus.

Hauptwäsche	
Spülen	
Schleudern	
Abpumpen	
Ende des Waschganges	 <b>END</b>

### Funktionstasten und entsprechende Kontrollleuchten



Nach der Wahl einer Funktion leuchtet die entsprechende Taste auf. Ist die gewählte Funktion nicht vereinbar mit dem eingestellten Programm, schaltet die entsprechende Kontrollleuchte auf Blinklicht und die Funktion wird nicht aktiviert. Ist die gewählte Funktion mit einer anderen bereits eingestellten nicht kompatibel, schaltet die der ersten Funktion entsprechende Kontrollleuchte auf Blinklicht und nur die zweite Funktion wird aktiviert, die Kontrollleuchte der aktivierten Funktion schaltet auf Dauerlicht.

### Kontrollleuchte Gerätetür gesperrt:

Ist diese Kontrollleuchte eingeschaltet, bedeutet dies, dass das Bullauge gesperrt ist; warten Sie, bis die Leuchte erlischt, um das Bullauge zu öffnen (etwa 3 Minuten). Um während eines laufenden Programms das Bullauge zu öffnen, drücken Sie die Taste START/PAUSE; ist die der GERÄTETÜR GESPERRT entsprechende Kontrollleuchte ausgeschaltet, kann das Bullauge geöffnet werden.

# Waschprogramme

## Programmtabelle

Wasch-programme	Beschreibung des Programms	Max. Temp. (C°)	Max. Schleuder Geschwindigkeit (U/min)	Waschmittel				Max. Beladungsmenge (kg)	Restfeuchtigkeit %	Energieverbrauch kWh	Wasser gesamt lt	Programmdauer
				Vorwäsche	Hauptwäsche	Weichspüler	Bleichmittel					
<b>Standard</b>												
1	Baumwolle vorwäsche: stark verschmutzte Kochwäsche.	90°	1000	●	●	●	-	5	62	1,68	61	145'
2	Baumwolle standard 60° (1): stark verschmutzte Weiß- und farbechte Buntwäsche.	60° (Max. 90°)	1000	-	●	●	●	5	62	0,89	45	175'
3	Baumwolle standard 40° (2): leicht verschmutzte Weiß- und empfindliche Buntwäsche.	40°	1000	-	●	●	●	5	62	0,75	60	165'
4	Synthetik: stark verschmutzte, farbechte Buntwäsche.	60°	800	-	●	●	●	2,5	44	0,70	40	100'
4	Synthetik (3): leicht verschmutzte, farbechte Buntwäsche.	40°	800	-	●	●	●	2,5	44	0,47	38	90'
5	Buntwäsche: leicht verschmutzte Weißwäsche und empfindliche Buntwäsche.	40°	1000	-	●	●	●	5	62	0,59	48	80'
<b>20° Programme</b>												
6	Baumwolle standard 20°: leicht verschmutzte Weiß- und empfindliche Buntwäsche.	20°	1000	-	●	●	●	5	-	-	-	170'
7	Mix light	20°	800	-	●	●	●	5	-	-	-	120'
8	20' Refresh	20°	800	-	●	●	-	1,5	-	-	-	20'
<b>Spezial</b>												
9	Seide/Gardinen	30°	0	-	●	●	-	1	-	-	-	55'
10	Wolle: wolle, Kaschmir usw.	40°	800	-	●	●	-	1	-	-	-	55'
11	Jeans	40°	800	-	●	●	-	2,5	-	-	-	70'
<b>Sport</b>												
12	Sport Intensive	30°	600	-	●	●	-	2,5	-	-	-	85'
13	Sport Light	30°	600	-	●	●	-	2,5	-	-	-	60'
14	Sport Shoes	30°	600	-	●	●	-	Max. 2 Paar	-	-	-	55'
<b>Teilprogramme</b>												
	Spülen	-	1000	-	-	●	●	5	-	-	-	36'
	Schleudern + Abpumpen	-	1000	-	-	-	-	5	-	-	-	16'

Die auf dem Display und in der Bedienungsanleitung genannte Zyklusdauer wird ausgehend von Standardbedingungen berechnet. Die effektiv benötigte Zeit kann aufgrund zahlreicher Faktoren wie Temperatur und Druck des Zulaufwassers, Raumtemperatur, Waschmittelmenge, Art, Menge und Verteilung der Waschladung sowie der gewählten Zusatzfunktionen variieren.

### 1) Prüfprogramm gemäß 1061/2010: Programm 2 und eine Temperatur von 60°C einstellen.

Dieser Zyklus ist für den Waschvorgang von normal schmutziger Baumwollwäsche geeignet; es ist der wirksamste in Bezug auf den kombinierten Energie-Wasser-Verbrauch; für bei 60°C zu waschende Wäsche zu verwenden. Die effektive Waschttemperatur kann von der angegebenen abweichen.

### 2) Prüfprogramm gemäß 1061/2010: Programm 3 und eine Temperatur von 40°C einstellen.

Dieser Zyklus ist für den Waschvorgang von normal schmutziger Baumwollwäsche geeignet; es ist der wirksamste in Bezug auf den kombinierten Energie-Wasser-Verbrauch; für bei 40°C zu waschende Wäsche zu verwenden. Die effektive Waschttemperatur kann von der angegebenen abweichen.

Für alle Testinstitute:

2) Langes Baumwollprogramm: Programm 3 und eine Temperatur von 40°C einstellen.

3) Langes Kunstfaserprogramm: Programm 4 und eine Temperatur von 40°C einstellen.

**Sport Intensive** (Programm 12) ist speziell für stark verschmutzte Sportkleidung (Trainingsanzüge, Sporthosen; für beste Resultate empfehlen wir, die in der "Programmtabelle" angezeigte maximale Füllmenge nicht zu übersteigen.

**Sport Light** (Programm 13) ist speziell für wenig verschmutzte Sportkleidung (Trainingsanzüge, Sporthosen; für beste Resultate empfehlen wir, die in der "Programmtabelle" angezeigte maximale Füllmenge nicht zu übersteigen. Verwenden Sie ein Flüssigwaschmittel und nur die Menge für eine halbe Gerätefüllung.

**Sport Shoes** (Programm 14) ist speziell für das Waschen von Sportschuhen; für beste Resultate waschen Sie nicht mehr als 2 Paar.

**20 Programme** bieten gute Waschleistungen bei niedrigen Temperaturen und damit einem geringeren Energieverbrauch, was einerseits die Kosten senkt und andererseits der Umwelt zu Gute kommt. Die 20-Grad-Programme erfüllen alle Anforderungen:

**Baumwolle standard 20°** (programme 6) ideal für normalverschmutzte Baumwolle. Die auch mit kaltem Wasser erreichten Leistungen, vergleichbar mit einer Wäsche bei 40°, werden mechanisch erzielt. Die Trommel arbeitet mit wiederholten, kurz auf einander folgenden Beschleunigungen.

**Mix Light** (programme 7) ideal für durchschnittlich verschmutzte Mischwäsche (Baumwolle und Synthetik). Die guten Waschleistungen auch mit kaltem Wasser werden mechanisch erzielt. Die Trommel arbeitet mit wiederholten, gleichmäßigen Geschwindigkeitsänderungen.

**20' Refresh** (programme 8) ideales Waschprogramm zum Auffrischen und Waschen von wenig verschmutzter Wäsche in kurzer Zeit. Das Programm dauert nur 20 Minuten und spart Zeit und Energie. Es können Gewebe unterschiedlicher Art (mit Ausnahme von Wolle und Seide) bei einer maximalen Füllmenge von 1,5 kg zusammen gewaschen werden.

## Temperatureinstellung

Drehen Sie den Wählschalter „TEMPERATUREN“, um die Waschtemperatur einzustellen (siehe *Programmtabelle*).

Die Temperatur kann bis auf Kaltwäsche  herabgesetzt werden.

Der Waschvollautomat verhindert automatisch die Einstellung einer höheren Schleuderstufe, sollte diese die für das jeweilige Programm vorgeschriebene Höchstgeschwindigkeit übersteigen.

! Ausnahme: Wird das Waschprogramm 2 eingestellt, kann die Temperatur bis auf 90° erhöht werden.

## Schleudereinstellung

Durch Drehen des Wählschalters SCHLEUDER wird die Schleudergeschwindigkeit des gewählten Waschprogramms eingestellt.

Folgende Höchstgeschwindigkeiten sind für die einzelnen Programme vorgesehen:

Waschprogramme	Höchstgeschwindigkeit
Baumwolle	1000 U/min
Kunstfasern	800 U/min
Wolle	800 U/min
Seide	nur Wasserablauf

Die Schleudergeschwindigkeit kann herabgesetzt werden. Durch Wahl des Symbols  kann die Schleuder gänzlich ausgeschlossen werden.

Der Waschvollautomat verhindert automatisch ein stärkeres Schleudern, sollte dieses die für das jeweilige Programm vorgeschriebene Höchstgeschwindigkeit übersteigen.

## Funktionen

Die verschiedenen Waschfunktionen, die Ihnen Ihr Waschvollautomat bietet, ermöglichen es Ihnen, hygienisch saubere und weiße Wäsche zu erhalten, die Ihren Wünschen entspricht.

Aktivierung der Funktionen:

1. Drücken Sie die Taste, die der gewünschten Funktion entspricht.
2. Das Aufleuchten der entsprechenden Kontrollleuchte zeigt an, dass die Funktion aktiviert wurde.

Anmerkung: Sollte die Kontrollleuchte jedoch auf rasches Blinklicht schalten, dann bedeutet dies, dass die Funktion zu dem eingestellten Programm nicht zugeschaltet werden kann.


## EcoTime

Durch Auswahl dieser Option werden die mechanische Bewegung, die Temperatur und das Wasser für eine verminderte Füllmenge mit wenig verschmutzten Baumwoll- und Synthetikstoffen optimiert (siehe *“Programmtabelle“*).

Mit EcoTime werden die Waschzeiten verkürzt, was Wasser und Energie spart. Wir empfehlen, die für die Füllmenge geeignete Menge Flüssigwaschmittel zu verwenden.

! Diese Funktion kann zu den Programmen 1, 6, 7, 8, 9, 10, 11, 12, 13, 14,  nicht zugeschaltet werden.

## Energy Saver

Die Funktion  trägt dazu bei, Energie zu sparen, indem das Wasser für die Wäsche nicht aufgeheizt wird – ein Vorteil sowohl für die Umwelt als auch für die Stromrechnung. Tatsächlich sichern die verstärkte Waschaktion und der optimierte Wasserverbrauch hervorragende Ergebnisse bei gleicher durchschnittlicher Dauer eines Standardzyklusses zu. Für maximale Waschergebnisse empfehlen wir den Einsatz eines Flüssigwaschmittels.

! Diese Funktion kann zu den Programmen 1, 6, 7, 8, 9, 10, 12, 13, 14,  nicht zugeschaltet werden.

## Fleckenstopp

Bleichzyklus, zur Entfernung auch hartnäckigster Flecken. Vergessen Sie nicht, dass das Bleichmittel in die Zusatzkammer 4 eingegeben werden muss (siehe *“Bleichen“*).

! Diese Funktion kann zu den Programmen 1, 8, 9, 10, 11, 12, 13, 14,  nicht zugeschaltet werden.

## Startzeitvorwahl

Der Start des Waschprogramms kann bis zu 12 Stunden verschoben werden.

Drücken Sie die Taste mehrmals, bis die der gewünschten Zeitverschiebung entsprechende Kontrollleuchte aufleuchtet. Ein fünfter Tastendruck deaktiviert die Funktion.

**NB:** Ist die Taste START/PAUSE einmal gedrückt, kann der gewählte Zeitverschiebungswert nur noch herabgesetzt werden bis zum Start des eingestellten Programms.

! Obiges gilt für alle Programme.

# Waschmittel und Wäsche

DE

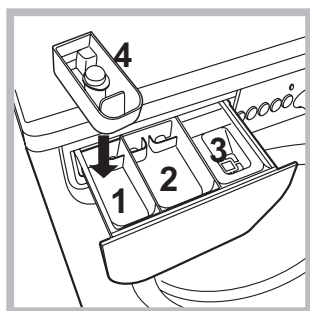
## Waschmittel und Wäsche

Ein gutes Waschergebnis hängt auch von einer korrekten Waschmitteldosierung ab: Eine zu hohe Dosierung bedeutet nicht unbedingt reinere Wäsche, sie trägt nur dazu bei, die Maschineninnenteile zu verkrusten und die Umwelt zu belasten.

! Verwenden Sie keine Handwaschmittel, sie verursachen eine zu hohe Schaumbildung.

! Waschmittel in Pulverform für Baumwollweißwäsche, für die Vorwäsche und für Waschprogramme bei Temperaturen über 60°C verwenden.

! Bitte befolgen Sie den auf der Waschmittelverpackung angegebenen Anweisungen.



Schublade herausziehen und Waschmittel oder Zusätze wie folgt einfüllen:

### In Kammer 1: Waschpulver für die Vorwäsche (Waschpulver)

Vergewissern Sie sich vor Einfüllen des Waschmittels, dass die Zusatzkammer 4 nicht eingesetzt wurde.

### In Kammer 2: Waschmittel für die Hauptwäsche (Waschpulver oder Flüssigwaschmittel)

Flüssigwaschmittel nur kurz vor dem Start einfüllen.

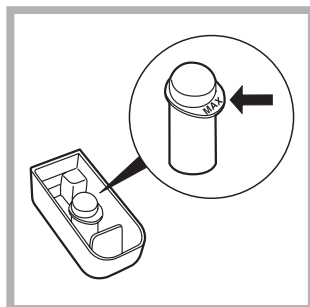
### In Kammer 3: Zusätze (Weichspüler usw.)

Der Weichspüler darf das Gitter nicht übersteigen.

### Zusätzliche Kammer 4: Bleichmittel

## Bleichen

! **Normale** Bleichmittel sind für strapazierfähige Weißwäsche zu verwenden, **milde** Bleichmittel dagegen für Buntwäsche, Feinwäsche und Wolle.



Diese Funktion ermöglicht das Entfernen von hartnäckigen Flecken. Setzen Sie die mitgelieferte, zusätzliche Kammer 4 in Kammer 1 ein. Bei der Dosierung des Bleichmittels darf der gekennzeichneten Höchststand "max" (siehe Abbildung) nicht überschritten werden.

Wenn Sie nur bleichen möchten, füllen Sie das Bleichmittel in die Zusatzkammer 4 ein, stellen Sie das Programm "Spülen" ein und aktivieren Sie die Funktion "Flecken". Um während des Waschgangs zu bleichen, geben Sie das

Waschmittel und die Zusätze ein, stellen Sie das gewünschte Programm ein und aktivieren Sie die Funktion "Flecken". Die Verwendung der zusätzlichen Kammer 4 schließt die Vorwäsche aus.

## Vorsortieren der Wäsche

- Sortieren Sie die Wäsche nach:
  - Gewebeat / Waschetikettensymbol.
  - und Farben: Buntwäsche von Weißwäsche trennen.
- Entleeren Sie alle Taschen.
- Das in der „Programmtabelle“ angegebene Gewicht, beschreibt die maximale Ladung Trockenwäsche und darf nicht überschritten werden.

## Wie schwer ist Wäsche?

- 1 Betttuch 400-500 gr
- 1 Kissenbezug 150-200 gr
- 1 Tischdecke 400-500 gr
- 1 Bademantel 900-1.200 gr
- 1 Handtuch 150-250 gr

## Besondere Wäscheteile

**Seide:** Wählen Sie das Spezialprogramm 9 zum Waschen aller Kleidungs- bzw. Wäschestücke aus Seide. Es empfiehlt sich der Einsatz von Feinwaschmittel.

**Gardinen:** Sie sollten zusammengelegt und in ein Wäschesetz gegeben werden. Stellen Sie das Programm 9 ein.

**Wolle:** Mit dem Programm 10 können alle Woll Sachen gewaschen werden, auch wenn das Etikett "nur Handwäsche" zeigt. Für beste Ergebnisse verwenden Sie ein spezifisches Waschmittel und waschen Sie maximal 1 kg Wäsche.

**Jeans:** Drehen Sie die Wäschestücke vor der Wäsche auf links und verwenden Sie ein Flüssigwaschmittel. Stellen Sie das Programm 11 ein.

## Unwuchtkontrollsystem

Um starke Vibrationen oder eine Unwucht beim Schleudern zu vermeiden, verfügt das Gerät über ein Schleuderunwuchtsystem. Die Waschladdung wird durch eine erhöhte Rotation der Trommel als die des Waschganges ausbalanciert. Sollte die Wäscheladung nach Ablauf mehrerer Versuche immer noch nicht korrekt verteilt sein, schleudert das Gerät die Wäsche bei einer niedrigeren Geschwindigkeit als die der vorgesehenen Schleudergeschwindigkeit. Sollte die Wäsche extrem ungleichmäßig verteilt sein, führt das Gerät anstelle des Schleudergangs einen Wäscheverteilungs-Zyklus durch. Um eine optimale Verteilung der Wäscheladung und somit eine korrekte Auswuchtung zu fördern, sollten große und kleine Wäscheteile gemischt eingefüllt werden.

! Der Waschvollautomat wurde nach den strengsten internationalen Sicherheitsvorschriften entworfen und gebaut. Nachstehende Hinweise werden aus Sicherheitsgründen geliefert und sollten aufmerksam gelesen werden.

## Allgemeine Sicherheit

- Dieses Gerät wurde ausschließlich für den Einsatz im privaten Haushalt konzipiert.
- Dieses Gerät ist nicht zur Verwendung durch Personen (einschließlich Kinder) mit eingeschränkten körperlichen, geistigen oder sensorialen Fähigkeiten oder ohne ausreichende Erfahrung und Kenntnis geeignet, es sei denn, sie werden durch eine für ihre Sicherheit verantwortliche Person beaufsichtigt und eingewiesen. Kinder müssen beaufsichtigt werden, um sicherzustellen, dass sie nicht mit dem Gerät spielen.
- Berühren Sie das Gerät nicht, wenn Sie barfuß sind, und auch nicht mit nassen oder feuchten Händen oder Füßen.
- Ziehen Sie den Gerätestecker nicht am Kabel aus der Steckdose, sondern nur am Netzstecker selbst.
- Öffnen Sie die Waschmittelschublade nicht, wenn das Gerät in Betrieb ist.
- Berühren Sie nicht das Ablaufwasser, es könnte sehr heiß sein.
- Öffnen Sie die Gerätetür nicht mit Gewalt: Der Sicherheits-Schließmechanismus könnte hierdurch beschädigt werden.
- Bei etwaigen Störungen versuchen Sie bitte nicht, Innenteile selbst zu reparieren.
- Halten Sie Kinder stets von dem in Betrieb befindlichen Gerät fern.
- Während des Waschganges kann die Gerätetür sehr heiß werden.
- Muss das Gerät versetzt werden, sollten hierfür zwei oder drei Personen verfügbar sein. Versetzen Sie es niemals allein, das Gerät ist äußerst schwer.
- Bevor Sie die Wäsche einfüllen, stellen Sie bitte sicher, dass die Wäschetrommel leer ist.

## Entsorgung

- Entsorgung des Verpackungsmaterials: Befolgen Sie die lokalen Vorschriften, Verpackungsmaterial kann wiederverwertet werden.
- Gemäß der Europäischen Richtlinie 2002/96/EC über Elektro- und Elektronik-Altgeräte dürfen Elektrohaushalts-Altgeräte nicht über den herkömmlichen Haushaltsmüllkreislauf entsorgt werden. Altgeräte müssen separat gesammelt werden, um die Wiederverwertung und das Recycling der beinhalteten Materialien zu optimieren und die Einflüsse auf die Umwelt und die Gesundheit zu reduzieren. Das Symbol „durchgestrichene Mülltonne“ auf jedem Produkt erinnert Sie an Ihre Verpflichtung, dass Elektrohaushaltsgeräte gesondert entsorgt werden müssen.

Endverbraucher können sich an Abfallämter der Gemeinden wenden, um mehr Informationen über die korrekte Entsorgung ihrer Elektrohaushaltsgeräte zu erhalten.

DE

# Reinigung und Pflege

DE

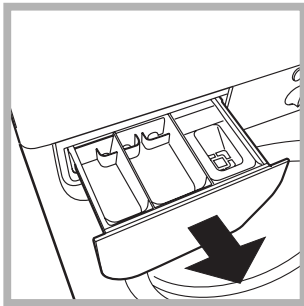
## Abstellen der Wasser- und Stromversorgung

- Drehen Sie den Wasserhahn nach jedem Waschvorgang zu. Hierdurch wird der Verschleiß der Wasseranlage verringert und Wasserlecks vorgebeugt.
- Ziehen Sie den Netzstecker aus der Steckdose, bevor Sie Ihren Waschvollautomaten reinigen.

## Reinigung des Gerätes

Die Gehäuseteile und die Teile aus Gummi können mit einem mit warmer Spülmittellaug angefeuchteten Tuch gereinigt werden. Vermeiden Sie Löse- und Scheuermittel

## Reinigung der Waschmittelschublade



Heben Sie die Schublade leicht an und ziehen Sie sie nach vorne hin heraus (siehe Abbildung). Spülen Sie sie regelmäßig unter fließendem Wasser gründlich aus.

## Pflege der Gerätetür und Trommel

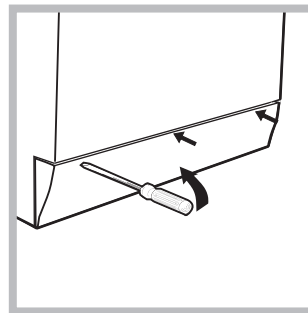
- Lassen Sie die Gerätetür stets leicht offen stehen, um die Bildung unangenehmer Gerüche zu vermeiden.

## Reinigung der Pumpe

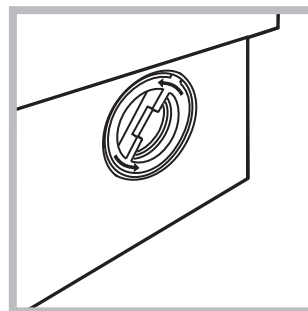
Ihr Gerät ist mit einer selbstreinigenden Pumpe ausgerüstet, eine Wartung ist demnach nicht erforderlich. Es könnte jedoch vorkommen, dass kleine Gegenstände (Münzen, Knöpfe) in die zum Schutz der Pumpe dienende Vorkammer (befindlich unter der Pumpe) fallen.

! Vergewissern Sie sich, dass der Waschgang abgeschlossen ist und ziehen Sie den Netzstecker heraus.

Zugang zur Vorkammer:



1. Nehmen Sie die Abdeckung (befindlich an der Gerätefront) mit Hilfe eines Schraubenziehers ab (siehe Abbildung);



2. Drehen Sie den Deckel gegen den Uhrzeigersinn ab (siehe Abbildung); es ist ganz normal, wenn etwas Wasser austritt;

3. Reinigen Sie das Innere gründlich;
4. Schrauben Sie den Deckel wieder auf;
5. Bringen Sie die Abdeckung wieder an. Stellen Sie hierbei sicher, dass die Haken in die Schlitze eingreifen, bevor Sie die Abdeckung fest andrücken.

## Kontrolle des Wasserzulaufschlauchs

Kontrollieren Sie den Zulaufschlauch mindestens einmal im Jahr. Weist er Risse bzw. Brüche auf, muss er ausgetauscht werden. Der starke Druck während des Waschprogramms könnte zu plötzlichem Platzen führen.

! Verwenden Sie niemals bereits gebrauchte Schläuche.

Bei Funktionsstörung: Bevor Sie sich an den Technischen Kundendienst wenden (siehe „Kundendienst“), vergewissern Sie sich zuerst, ob es sich nicht um eine Kleinigkeit handelt, die Sie selbst beheben können. Ziehen Sie hierzu nachstehendes Verzeichnis zu Rate.

## Störungen:

**Der Waschvollautomat schaltet sich nicht ein.**

**Der Waschgang startet nicht.**

**Der Waschvollautomat lädt kein Wasser. Die Kontrollleuchte der ersten Waschphase blinkt (rasches Blinklicht).**

**Der Waschvollautomat lädt laufend Wasser und pumpt es laufend ab.**

**Der Waschvollautomat pumpt nicht ab und schleudert nicht.**

**Der Waschvollautomat vibriert zu stark während des Schleuderns.**

**Der Waschvollautomat ist undicht.**

**Die Kontrollleuchten „Funktionen“ und „START/PAUSE“ blinken und eine der Kontrollleuchten der „laufenden Programmphase“ sowie die für „Gerätetür gesperrt“ bleiben eingeschaltet.**

**Es bildet sich zu viel Schaum.**

## Mögliche Ursachen / Lösungen:

- Der Stecker steckt nicht in der Steckdose, oder nicht so, dass der Kontakt hergestellt wird.
- Der Strom ist ausgefallen.
- Die Gerätetür wurde nicht vorschriftsmäßig geschlossen.
- Die ON/OFF-Taste wurde nicht gedrückt.
- Die Taste START/PAUSE wurde nicht gedrückt.
- Der Wasserhahn ist nicht aufgedreht.
- Es wurde ein verzögerter Start gewählt (siehe „Personalisierungen“).
- Der Zufuhrschlauch ist nicht am Wasserhahn angeschlossen.
- Der Schlauch ist geknickt.
- Der Wasserhahn ist nicht aufgedreht.
- Es ist kein Wasser da.
- Der Druck ist unzureichend.
- Die Taste START/PAUSE wurde nicht gedrückt.
- Der Ablaufschlauch befindet sich nicht auf der vorgeschriebenen Höhe, d.h. 65 – 100 cm vom Boden (siehe „Installation“).
- Das Schlauchende liegt unter Wasser (siehe „Installation“).
- Der Abfluss der Hausinstallation wurde nicht mit einer Entlüftungsöffnung versehen. Konnte die Störung durch diese Kontrollen nicht behoben werden, dann drehen Sie den Wasserhahn zu, schalten das Gerät aus und fordern den Kundendienst an. Falls Sie in einer der obersten Etagen eines Gebäudes wohnen, kann es vorkommen, dass sich im Syphon ein Vakuum bildet, und der Waschvollautomat ständig Wasser ansaugt und wieder abpumpt. Zur Lösung dieser Probleme bietet der Handel spezielle Syphonventile.
- Das Programm siehe kein Abpumpen vor: Bei einigen Programmen muss es von Hand eingestellt werden (siehe „Starten eines Waschprogramms“).
- Der Ablaufschlauch ist geknickt (siehe „Installation“).
- Die Ablaufleitung ist verstopft.
- Die Trommel wurde bei der Installation nicht korrekt befreit (siehe „Installation“).
- Der Waschvollautomat steht nicht eben (siehe „Installation“).
- Der Waschvollautomat steht zu eng zwischen der Wand und einem Möbel (siehe „Installation“).
- Der Zulaufschlauch wurde nicht ordnungsgemäß aufgeschraubt (siehe „Installation“).
- Die Waschlittelschublade ist verstopft (zur Reinigung siehe „Wartung und Pflege“).
- Der Ablaufschlauch ist nicht korrekt befestigt (siehe „Installation“).
- Schalten Sie das Gerät aus und ziehen Sie den Netzstecker; warten Sie daraufhin ca. 1 Minute und schalten Sie es wieder ein. Bleibt die Störung bestehen, kontaktieren Sie bitte den Kundendienst.
- Das Waschmittel ist für Waschmaschinen nicht geeignet (es muss mit der Aufschrift „Für Waschmaschinen“, „Für Handwäsche und Waschmaschinen“ usw. versehen sein).
- Es wurde zu hoch dosiert.

# Kundendienst

---

DE

## **Bevor Sie sich an den Kundendienst wenden:**

- Sollten einige Kontrollen vorab selbst durchgeführt werden (*siehe „Störungen und Abhilfe“*);
- Starten Sie daraufhin das Programm erneut, um sicherzustellen, dass die Störung auch wirklich behoben wurde;
- Ist dies nicht der Fall, dann kontaktieren Sie den autorisierten Kundendienst unter der auf dem Garantieschein befindlichen Telefonnummer.

! Wenden Sie sich auf keinen Fall an nicht autorisierte Techniker.

## **Geben Sie bitte Folgendes an:**

- die Art der Störung;
- das Maschinenmodell (Mod.);
- die Seriennummer (S/N).

Diese Daten entnehmen Sie bitte dem auf der Rückseite des Waschvollautomaten und auf der Vorderseite (Gerätetür öffnen) befindlichen Typenschild.



SK

Slovensky

IWSC 51051

### Obsah

#### Inštalácia, 50-51

Rozbalenie a vyrovnanie do vodorovnej polohy  
Pripojenie k elektrickej a k vodovodnej sieti  
Prvý prací cyklus  
Technické údaje

#### Popis práčky a zahájenie pracieho programu, 52-53

Ovládací panel  
Kontrolky  
Zahájenie pracieho programu

#### Pracie programy, 54

Tabuľka pracích programov

#### Užívateľské nastavenia, 55

Nastavenie teploty  
Nastavenie odstreďovania  
Funkcie

#### Pracie prostriedky a prádlo, 56

Dávkovač pracích prostriedkov  
Bieliaci cyklus  
Príprava prádla  
Prádlo vyžadujúce osobitnú starostlivosť  
Systém automatického vyváženia náplne

#### Opatrenia a rady, 57

Základné bezpečnostné pokyny  
Likvidácia

#### Údržba a starostlivosť, 58

Uzavretie prívodu vody a vypnutie elektrického napájania  
Čistenie práčky  
Čistenie dávkovača pracích prostriedkov  
Starostlivosť o dvierka a bubon  
Čistenie čerpadla  
Skontrolujte prítokovú hadicu vodu

#### Poruchy a spôsob ich odstránenia, 59

#### Servisná služba, 60

# Inštalácia

SK

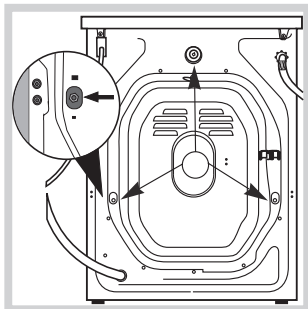
! Je veľmi dôležité uschovať tento návod kvôli prípadnému ďalšiemu použitiu. V prípade predaja, darovania alebo presťahovania práčky sa uistite, že zostane uložený v jej blízkosti, aby mohol poslúžiť novému majiteľovi pri oboznámení sa s činnosťou a s príslušnými upozoreniami.

! Pozorne si prečítajte uvedené pokyny: obsahujú dôležité informácie, týkajúce sa inštalácie, použitia a bezpečnosti pri práci.

## Rozbalenie a vyrovnanie do vodorovnej polohy

### Rozbalenie

1. Rozbaľte práčku.
2. Skontrolujte, či počas prepravy nedošlo k jej poškodeniu. V prípade, že je poškodená, nezapájajte ju a obráťte sa na predajcu.



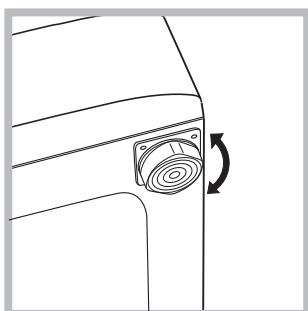
3. Odstráňte 3 skrutky slúžiace na ochranu počas prepravy a gumovú podložku s príslušným dištančným členom, ktoré sa nachádzajú v zadnej časti (vid' obrázok).

4. Uzatvorte otvory po skrutkách plastovými krytkami z príslušenstva.
5. Uschovajte všetky diely: v prípade opätovnej prepravy práčky ich bude potrebné opätovne namontovať.

! Obaly nie sú hračky pre deti!

### Vyrovnanie do vodorovnej polohy

1. Práčku je potrebné umiestniť na rovnú a pevnú podlahu tak, aby nebola opretá o stenu, nábytok alebo o niečo iné.

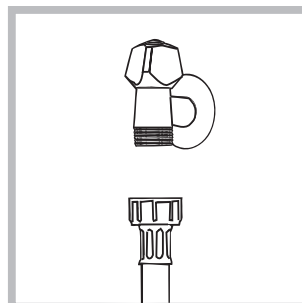


2. V prípade, že podlaha nie je dokonale vodorovná, môžu byť prípadné rozdiely vykompenzované skrutkovaním predných nožičiek (vid' obrázok); Uhol sklonu, nameraný na pracovnej ploche, nesmie presiahnuť 2°.

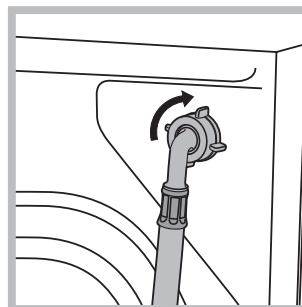
Dokonalé vyrovnanie do vodorovnej polohy zabezpečí stabilitu zariadenia a zamedzí vzniku vibrácií a hluku počas činnosti. V prípade inštalácie na podlahovú krytinu alebo na koberec, nastavte nožičky tak, aby pod práčkou zostal dostatočný voľný priestor na ventiláciu.

## Pripojenie k elektrickej a k vodovodnej sieti

### Pripojenie prítokovej hadice vody



1. Pripojte prívodnú hadicu jej zaskrutkovaním ku kohútiku so studenou vodou s hrdlom so závitom 3/4" (vid' obrázok). Pred pripojením hadice nechajte vodu odtiecť, až kým nebude číra.



2. Pripojte prítokovú hadicu k pračke, jej zaskrutkovaním k príslušnej prípojke na vodu, umiestnenej vpravo hore (vid' obrázok).

3. Zabezpečte, aby hadica nebola príliš ohnutá alebo stlačená.

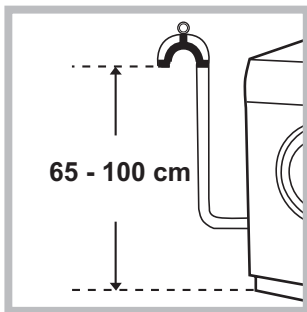
! Tlak v rozvode vody sa musí pohybovať v rozmedzí hodnôt uvedených v tabuľke s technickými údajmi (vid' vedľajšia strana).

! V prípade, že dĺžka prítokovej hadice nebude dostatočná, obráťte sa na špecializovanú predajňu alebo na autorizovaný technický personál.

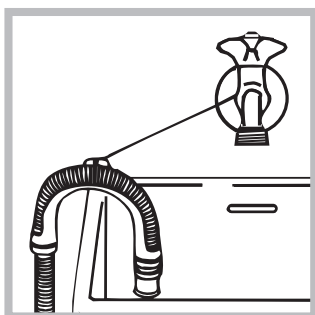
! Nikdy nepoužívajte už použité hadice.

! Používajte hadice z príslušenstva zariadenia.

### Pripojenie vypúšťacej hadice



Pripojte vypúšťaciu hadicu, bez toho aby ste ju ohli, k odpadovému potrubiu alebo k odpadu v stene, ktorý sa nachádza od 65 do 100 cm nad zemou;



alebo ju uchyťte k okraju umývadla či vane, a pripevnite vodiaci držiak z príslušenstva ku kohútiku (vid' obrázok). Voľný koniec vypúšťacej hadice nesmie zostať ponorený do vody.

! Použitie predlžovacích hadíc sa neodporúča; ak je však nevyhnutné, predlžovacia hadica musí mať rovnaký priemer ako originálna hadica a jej dĺžka nesmie presiahnuť 150 cm.

### Pripojenie k elektrickej sieti

Pred zasunutím zástrčky do zásuvky sa uistite, že:

- zásuvka je uzemnená a že vyhovuje normám;
- zásuvka je schopná uniesť maximálnu záťaž odpovedajúcu menovitému príkonu zariadenia, uvedenému v tabuľke s technickými údajmi (vid' vedľa);
- hodnota napájacieho napätia odpovedá údajom uvedeným v tabuľke s technickými údajmi (vid' vedľa);
- zásuvka je kompatibilná so zástrčkou práčky. V opačnom prípade je potrebné vymeniť zásuvku alebo zástrčku.

! Práčka nesmie byť umiestnená vonku – pod holým nebom, a to ani v prípade, keby sa jednalo o miesto chránené pred nepriazňou počasia, pretože je veľmi nebezpečné vystaviť ju dažďu a búrkam.

! Po ukončení inštalácie musí zásuvka zostať ľahko prístupná.

! Nepoužívajte predlžovacie káble a rozvodky.



! Kábel nesmie byť ohnutý alebo pritlačený.

! Výmena kábla musí byť zverená výhradne autorizovanému technickému personálu.

Upozornenie! Výrobca neponesie žiadnu zodpovednosť za následky spôsobené nerešpektovaním týchto pokynov.

### Prvý prací cyklus

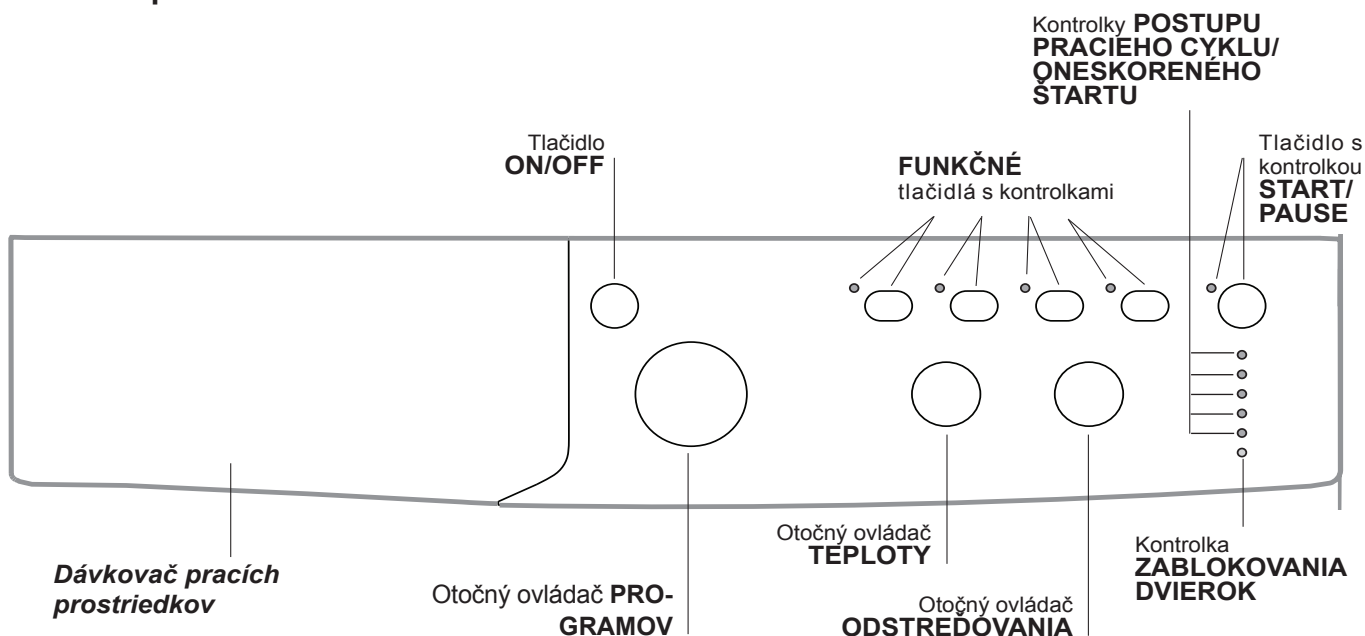
Po inštalácii zariadenia je potrebné ešte pred jeho použitím vykonať jeden skúšobný cyklus s pracím prostriedkom a bez náplne prádla, nastavením pracieho programu 2.

Technické údaje	
Model	IWSC 51051
Rozmery	šírka 59,5 cm výška 85 cm hĺbka 44 cm
Kapacita	od 1 do 5 kg
Elektrické zapojenie	Víť štítok s technickými údajmi, aplikovaný na zariadení.
Pripojenie k rozvodu vody	maximálny tlak 1 MPa (10 bar) maximálny tlak 0,05 MPa (0.5 bar) kapacita bubna 40 litrov
Rýchlosť odstraňovania	až do 1000 otáčok za minútu
Kontrolné programy podľa smerníc 1061/2010 a 1015/2010.	Program 2: štandardný program pre bavlnu pri 60 °C. Program 3: štandardný program pre bavlnu pri 40 °C.
 	Toto zariadenie je v zhode s nasledujúcimi smernicami Európskej únie: - 2004/108/CE (Elektromagnetická kompatibilita) - 2006/95/CE (Nízke napätie) - 2002/96/CE
Hlučnosť (dB(A) re 1 pW)	Pranie: 59 Odstredovanie: 77

# Popis práčky a zahájenie pracieho programu

SK

## Ovládací panel



**Dávkovač pracích prostriedkov:** slúži na dávkovanie pracích prostriedkov a prídavných prostriedkov (vid' „Pracie prostriedky a prádlo“).

Tlačidlo **ON/OFF**: slúži na zapnutie a vypnutie práčky.

Otočný ovládač **PROGRAMOV**: pre nastavenie pracích programov. Počas pracieho programu zostane v rovnakej polohe.

**FUNKČNÉ** tlačidlá s kontrolkami: Slúžia na voľbu jednotlivých dostupných funkcií. Kontrolka zvolenej funkcie zostane rozsvietená.

Otočný ovládač **ODSTREĐOVANIA**: slúži na nastavenie odstreďovania alebo na jeho vylúčenie (vid' „Užívateľské nastavenia“).

Otočný ovládač **TEPLOTY**: slúži na nastavenie teploty alebo prania alebo prania v studenej vode (vid' „Užívateľské nastavenia“).

Kontrolky **POSTUPU PRACIEHO CYKLU/ONESKORENÉHO ŠTARTU**: slúžia na kontrolu postupu pracieho programu.

Rozsvietená kontrolka poukazuje na prebiehajúcu fázu. Ak je nastavená funkcia „Oneskoreného štartu“, budú zobrazovať čas zostávajúci do zahájenia programu (vid' vedľajšia strana).

Kontrolka **ZABLOKOVANIA DVIEROK**: informuje o tom,

či je možné otvoriť dverka (vid' vedľajšia strana).

Tlačidlo s kontrolkou **START/PAUSE**: slúži na zahájenie alebo na dočasné prerušenie programov.

**POZN.:** Stlačenie tohoto tlačidla slúži na prerušenie prebiehajúceho prania; príslušná kontrolka bude blikať oranžovým svetlom, zatiaľ čo kontrolka prebiehajúcej fázy zostane rozsvietená stálym svetlom. Keď bude kontrolka **ZABLOKOVANIA DVIEROK** zhasnutá, bude možné otvoriť dverka.

Pre opätovné zahájenie prania z bodu, v ktorom bolo prerušené, opätovne stlačte toto tlačidlo.

### Pohotovostný režim

Po skončení cyklu alebo v case, keď nie je spustený žiaden cyklus, po 30 minútach dôjde k vypnutiu zariadenia kvôli energetickej úspore. Na obnovenie činnosti zariadenia, nachádzajúceho sa v pohotovostnom režime, stačí stlačiť tlačidlo **ON/OFF**.

*Spotreba v off-mode: 1 W*

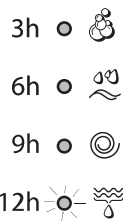
*Spotreba v Left-on: 1 W*

## Kontrolky

Kontrolky sú zdrojom dôležitých informácií. Informujú o nasledujúcich skutočnostiach:

### Oneskorený štart

Keď bola aktivovaná funkcia „Oneskoreného štartu“ (vid' „Užívateľské nastavenia“), po zahájení pracieho programu začne blikať príslušná kontrolka zvoleného oneskorenia:



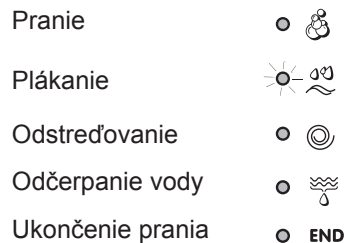
Priebežne bude zobrazovaný čas zostávajúci do štartu, a zobrazovanie bude sprevádzané blikaním príslušnej kontrolky:



Po uplynutí zvolenej doby oneskorenia dôjde k zahájeniu nastaveného programu.

### Kontrolky prebiehajúcej fázy

Po zvolení a zahájení požadovaného pracieho cyklu dôjde k postupnému rozsvetovaniu kontroliek informujúcich o jeho postupe.



### Funkčné tlačidlá a príslušné kontrolky


Po zvolení konkrétnej funkcie dôjde k rozsvieteniu príslušnej kontrolky.

Keď zvolenú funkciu nie je možné zaradiť do nastaveného programu, príslušná kontrolka bude blikať, budete počuť akustický signál a funkcia nebude aktivovaná. V prípade, že zvolená funkcia nie je kompatibilná s inou predtým zvolenou funkciou, kontrolka prvej voliteľnej funkcie bude blikať a bude aktivovaná len druhá, pričom kontrolka zvolenej funkcie sa rozsvieti stálym svetlom.

### Kontrolka zablokovania dvierok

Rozsvietenie tejto kontrolky signalizuje, že dvierka sú zaistené kvôli zamedzeniu ich náhodnému otvoreniu; aby sa dvierka nepoškodili, pred ich otvorením je potrebné vyčakať, kým uvedená kontrolka nezhasne; (vyčkajte približne 3 minúty). Na otvorenie dvierok v priebehu pracieho cyklu stlačte tlačidlo START/PAUSE; keď bude kontrolka ZAISTENÉ DVIERKA zhasnutá, bude možné dvierka otvoriť.

## Zahájenie pracieho programu

1. Zapnite práčku stlačením tlačidla ON/OFF. Všetky kontrolky sa rozsvetia na niekoľko sekúnd, potom zhasnú a bude blikať kontrolka START/PAUSE.
2. Naplňte práčku a zatvorte dvierka.
3. Otočným ovládačom PROGRAMOV zvolte požadovaný prací program.
4. Nastavte teplotu prania (vid' „Užívateľské nastavenia“).
5. Nastavte rýchlosť odstredovania (vid' „Užívateľské nastavenia“).
6. slúži na dávkovanie pracieho prostriedku a prídavných prostriedkov (vid' „Pracie prostriedky a prádlo“).
7. Zvolte požadované funkcie.
8. Zahajte prací program stlačením tlačidla START/PAUSE a príslušná kontrolka zostane rozsvietená stálym svetlom zelenej farby. Zrušenie nastaveného pracieho cyklu sa vykonáva prerušením činnosti zariadenia stlačením tlačidla START/PAUSE a voľbou nového cyklu.
9. Po ukončení pracieho programu sa rozsvieti kontrolka END. Po zhasnutí kontrolky ZABLOKOVANIA DVIEROK  bude možné dvierka otvoriť. Vytiahnite prádlo a nechajte dvierka pootvorené, aby bolo umožnené vysušenie bubna. Zapnite práčku stlačením tlačidla ON/OFF.

# Pracie programy

SK

## Tabuľka pracích programov

Pracie programy	Popis programu	Max. Teplota (°C)	Max. rýchlosť (otáčky za minútu)	Pracie prostriedky				Max. náplň (kg)	Zvyšková vlhkosť %	Spotreba energie kWh	Voda celkom lt	Doba trvania cyklu
				Pred-pranie	Pra-nie	Avi-vaz	Bie-laci					
<b>Denné (Daily)</b>												
1	<b>Bavlna + predpranie:</b> Mimoriadne špinavé biele prádlo.	90°	1000	●	●	●	-	5	62	1,68	61	145'
2	<b>Štandardný program pre bavlnu pri 60 °C (1):</b> Znacne špinavé biele a farebné prádlo z odolných tkanín.	60° (Max. 90°)	1000	-	●	●	●	5	62	0,89	45	175'
3	<b>Štandardný program pre bavlnu pri 40 °C (2):</b> Znacne špinavé biele a farebné prádlo z chúlolistých tkanín.	40°	1000	-	●	●	●	5	62	0,75	60	165'
4	<b>Syntetika:</b> Veľmi špinavé farebné prádlo z odolných tkanín.	60°	800	-	●	●	●	2,5	44	0,70	40	100'
4	<b>Syntetika (3):</b> Ciastocne špinavé farebné prádlo z odolných tkanín.	40°	800	-	●	●	●	2,5	44	0,47	38	90'
5	<b>Farebná bavlna:</b> Málo špinavé biele chúlolistivé prádlo.	40°	1000	-	●	●	●	5	62	0,59	48	80'
<b>20° Zone</b>												
6	<b>Štandardný program pre bavlnu pri 20 °C:</b> Znacne špinavé biele a farebné prádlo z chúlolistých tkanín.	20°	1000	-	●	●	●	5	-	-	-	170'
7	<b>Mix Light</b>	20°	800	-	●	●	●	5	-	-	-	120'
8	<b>20' Refresh</b>	20°	800	-	●	●	-	1,5	-	-	-	20'
<b>Špeciálne programy (Special)</b>												
9	<b>Hodváb/záclony:</b> Pre prádlo z hodvábu, viskózy, spodné prádlo.	30°	0	-	●	●	-	1	-	-	-	55'
10	<b>Vlna:</b> Pre vlnu, kašmír, atd.	40°	800	-	●	●	-	1	-	-	-	55'
11	<b>Jeans</b>	40°	800	-	●	●	-	2,5	-	-	-	70'
<b>Sport</b>												
12	<b>Sport Intensive</b>	30°	600	-	●	●	-	2,5	-	-	-	85'
13	<b>Sport Light</b>	30°	600	-	●	●	-	2,5	-	-	-	60'
14	<b>Sport Shoes</b>	30°	600	-	●	●	-	Max. 2 pairs	-	-	-	55'
<b>Dielcie programy</b>												
	Plákanie	-	1000	-	-	●	●	5	-	-	-	36'
	Odstred'ovanie + Odcerpanie vody	-	1000	-	-	-	-	5	-	-	-	16'

Doba trvania cyklu, uvedená na displeji alebo v návode, je stanovená na základe štandardných podmienok. Skutočná doba sa môže meniť v závislosti na mnohých faktoroch, ako sú napr. teplota a tlak vody na vstupe, teplota prostredia, množstvo pracieho prostriedku, množstvo a druh náplne, vyváženie náplne a zvolené funkcie.

### 1) Kontrolný program podľa normy 1061/2010: nastavte program 2 s teplotou 60°C.

Tento cyklus je vhodný pre pranie bežne znečisteného bavlneného prádla a jedná sa o najúčinnjší cyklus z hľadiska kombinovanej spotreby energie a vody, určený pre prádlo, ktoré je možné prať pri teplote do 60°C. Skutočná teplota prania sa môže líšiť od uvedenej.

### 2) Kontrolný program podľa normy 1061/2010: nastavte program 3 s teplotou 40°C.

Tento cyklus je vhodný pre pranie bežne znečisteného bavlneného prádla a jedná sa o najúčinnjší cyklus z hľadiska kombinovanej spotreby energie a vody, určený pre prádlo, ktoré je možné prať pri teplote do 40°C. Skutočná teplota prania sa môže líšiť od uvedenej.

### Pre všetky Test Institutes:

2) Dlhý program na pranie bavlny: nastavte program 3 s teplotou 40°C.

3) Syntetický program spolu: nastavte program 4 s teplotou 40°C.

**Sport Intensive** (program 12) bol navrhnutý pre pranie veľmi znečistených látok športového oblečenia (teplákové súpravy, šortky apod.); pre dosiahnutie optimálnych výsledkov sa odporúča neprekračovať maximálnu náplň uvedenú v "Tabuľka pracích programov".

**Sport Light** (program 13) bol navrhnutý pre pranie málo znečistených látok športového oblečenia (teplákové súpravy, šortky apod.); pre dosiahnutie optimálnych výsledkov sa odporúča neprekračovať maximálnu náplň uvedenú v "Tabuľka pracích programov". Odporúča sa použiť tekuté prací prostriedky a použiť dávku vhodnú pre polovičnú náplň.

**Sport Shoes** (program 14) bol navrhnutý pre pranie športovej obuvi; pre dosiahnutie optimálnych výsledkov neperte viac ako 2 páry naraz.

**Programy 20°** (20° Zone) ponúkajú účinné pranie pri nízkych teplotách, čím umožňujú šetrenie elektrickej energie, úsporu peňazí a chránia životné prostredie.

Programy 20° vyhovujú všetkým požiadavkám:

**Štandardný program pre bavlnu pri 20 °C** (program 6) ideálny pre náplne zo znečistenej bavlny. Účinné pranie i za studena, porovnateľné s práním pri 40 °C, dosiahnuté mechanickým pôsobením, ktoré je založené na zmene rýchlosti v krátkych alebo dlhých intervaloch.

**Mix Light** (program 7) ideálny pre zmiešané náplne (bavlna a syntetika) stredne znečisteného prádla. Účinné pranie i za studena je dosiahnuté mechanickým pôsobením, ktoré je založené na zmene rýchlosti v stredných alebo určených intervaloch.

**20' Osvieženie** (program 8) ideálny cyklus pre osvieženie a pranie mierne znečisteného prádla v priebehu pár minút. Trvá len 20 minút a šetrí tak čas i energiu. Umožňuje spolu prať tkaniny rôzneho druhu (s výnimkou vlny a hodvábu) pri náplni nepresahujúcej 1,5 kg.

## Nastavenie teploty

Otáčaním otočného ovládača TEPLOTY sa nastavuje teplota prania (viď *Tabuľka programov*).

Teplota môže byť postupne znižovaná až po pranie v studenej vode (❄).

Zariadenie automaticky zabráni nastaveniu vyššej teploty ako je maximálna teplota pre každý prací program.


! Výnimka: pri voľbe programu **2** bude možné zvýšiť teplotu až na 90°C.

## Nastavenie odstreďovania

Otáčaním otočného ovládača ODS TREĐOVANIA sa nastavuje rýchlosť odstreďovania zvoleného pracieho programu.

Maximálne rýchlosti pre jednotlivé pracie programy sú:

Pracie programy	Maximálna rýchlosť
Bavlna	1000 otáčok za minútu
Syntetické tkaniny	800 otáčok za minútu
Vlna	800 otáčok za minútu
Hodváb	len odčerpanie vody

Rýchlosť odstreďovania môže byť znížená, alebo odstreďovanie môže byť vylúčené voľbou symbolu .

Zariadenie automaticky zabráni nastaveniu vyššej rýchlosti odstreďovania ako je maximálna rýchlosť pre každý prací program.

## Funkcie

Jednotlivé funkcie, ktorými práčka disponuje, umožňujú dosiahnuť požadovaný stupeň čistoty a belosti praného prádla.



Spôsob aktivácie jednotlivých funkcií:

1. stlačte príslušné tlačidlo požadovanej funkcie;
2. rozsvietenie príslušnej kontrolky signalizuje, že došlo k aktivácii zvolenej funkcie.


**Poznámka:** Rýchle blikanie kontrolky signalizuje, že príslušná funkcia je nepoužiteľná počas nastaveného pracieho programu.

## EcoTime

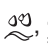

Voľbou tejto funkcie budú mechanický pohon, teplota a voda nastavené pre zníženú náplň málo znečistenej bavlny a syntetických materiálov (viď „Tabuľka programov“). Pri použití programu „EcoTime“ môžete pracovať s kratšími dobami ušetriť vodu a energiu. Odporúča sa používať dávku tekutého pracieho prostriedku, vhodnú pre naplnené množstvo.

! Táto funkcia nie je použiteľná pri programoch 1, 6, 7, 8, 9, 10, 11, 12, 13, 14, , .

## Energy Saver


Funkcia  prispieva k energetickej úspore, tým že neohrieva vodu použitú na pranie prádla – šetrí sa tým nie len životné prostredie, ale aj náklady za elektrickú energiu. Posilnený účinok a optimalizovaná spotreba vody skutočne zabezpečia optimálny výsledok za rovnakú priemernú dobu odpovedajúcu štandardnému cyklu.

Na dosiahnutie lepších výsledkov prania sa odporúča použiť tekutý prací prostriedok.

! Táto funkcia nie je použiteľná pri programoch 1, 6, 7, 8, 9, 10, 12, 13, 14, , .

## Bielenie

Bieliaci cyklus vhodný na odstránenie najodolnejších škvŕn. Nezabudnite na vložitie bieliaceho prostriedku do prídavnej priehradky 4 (viď „Bieliaci cyklus“).

! Táto funkcia nie je použiteľná pri programoch 1, 8, 9, 10, 11, 12, 13, 14, .

## Oneskorený štart

Služi na odloženie zahájenia pracieho cyklu až o 12 hodín.

Opakovane stlačajte tlačidlo, až kým sa nerozsvieti kontrolka označujúca požadovanú dobu oneskorenia. Po piatom stlačení tlačidla dôjde k zrušeniu uvedenej funkcie.

**POZN.:** Po stlačení tlačidla START/PAUSE je možné zmeniť čas oneskorenia len jeho znížením a to až do zahájenia nastaveného programu.

! Je aktívny pri všetkých pracích programoch.

# Pracie prostriedky a prádlo

SK

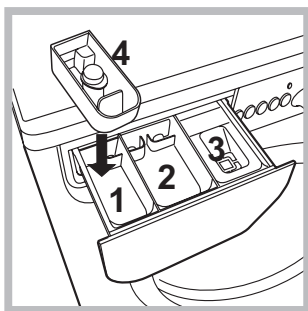
## Dávkovač pracích prostriedkov

Dobry výsledok prania závisí aj od správneho dávkovania pracieho prostriedku: použitie nadmerného množstva znižuje efektivitu prania a napomáha tvorbe vodného kameňa na vnútorných častiach práčky a zvyšuje znečistenie životného prostredia.

**!** Nepoužívajte pracie prostriedky určené na pranie v rukách, pretože spôsobujú tvorbu nadmerného množstva peny.

**!** Používajte práškové pracie prostriedky pre biele bavnené prádlo a pre predpieranie a pre pranie pri teplote vyššej ako 60 °C.

**!** Dodržujte pokyny uvedené na obale pracieho prostriedku.



Pri vyťahovaní dávkovača pracích prostriedkov a pri jeho plnení pracími alebo prídavnými prostriedkami postupujte nasledovne.

**priehradka 1: Prací prostriedok na predpieranie (práškový)**

**priehradka 2: Prací prostriedok na pranie (práškový alebo tekutý)**

Tekutý prací prostriedok sa nalieva len tesne pred zahájením pracieho cyklu.

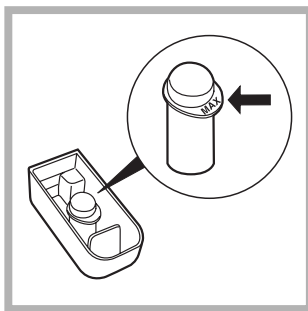
**priehradka 3: Prídavné prostriedky (aviváž, atď.)**

Aviváž nesmie vytekať z mriežky.

**prídavná priehradka 4: Bieliaci prostriedok**

## Bieliaci cyklus

**!** Tradičný bieliaci prostriedok sa používa pri bielení bielej bielizne z odolných tkanín, zatiaľ čo bieliaci prostriedok **na jemnú bielizeň** sa používa pri bielení farebného prádla, prádla zo syntetických tkanín a z vlny.



Vložte prídavnú priehradku 4, z príslušenstva, do priehradky 1.

Pri dávkovaní bieliaceho prostriedku neprekročte hladinu „max“, vyznačenú na stredovom kolíku (viď obrázok). Keď si prajete vykonať len bieliaci cyklus, naplňte prídavnú priehradku

4 bieliacim prostriedkom a nastavte program plákania a aktivujte voliteľnú funkciu „Bielenie“.

Pri bielení počas pracieho cyklu naplňte dávkovač pracím prostriedkom a prídavnými prostriedkami, nastavte požadovaný prací cyklus a aktivujte voliteľnú funkciu „Bielenie“.

Použitie prídavnej priehradky 4 vylučuje možnosť predpierky.

## Príprava prádla

- Roztriedte prádlo podľa:
  - druhu tkaniny / symbolu na visačke.
  - farby: oddelte farebné prádlo od bieleho.
- Vyprázdňte vrecká a skontrolujte gombíky.
- Neprekračujte hodnoty povolenej náplne uvedenej v „Tabuľka pracích programov“, vzťahujúce sa na hmotnosť suchého prádla:

### Koľko váži prádlo?

- 1 plachta 400-500 g
- 1 obliečka 150-200 g
- 1 obrus 400-500 g
- 1 župan 900-1.200 g
- 1 uterák 150-250 g

## Prádlo vyžadujúce osobitnú starostlivosť

**Hodváb:** použite príslušný program 9 na pranie všetkého prádla z hodvábu. Odporúča sa použitie pracieho prostriedku pre chústovité prádlo.

**Záclony:** odporúča sa ich poskladať a vložiť do sáčku dodaného v rámci príslušenstva. Použite program 9.

**Vlna:** S programom 10 je možné prať v práčke všetky druhy vlneného prádla, aj tie, ktoré sú označené visačkou „prať len v rukách“. Pre dosiahnutie optimálnych výsledkov používajte špecifický prací prostriedok a neprekračujte náplň 1 kg.

**Jeans:** Prevráťte prádlo naruby a použite tekutý prací prostriedok. Použite program 11.

## System automatického vyváženia náplne

Pred každým odstredovaním bubon vykoná otáčanie rýchlosťou o málo prevyšujúcou rýchlosť prania, aby sa tak odstránili vibrácie a aby sa náplň rovnomerne rozložila. V prípade, že po niekoľko násobných pokusoch o vyváženie prádlo ešte nebude správne vyvážené, zariadenie vykoná odstredovanie nižšou rýchlosťou, ako je prednastavená rýchlosť. Ak je práčka nadmerne nevyvážená, vykoná namiesto odstredovania vyváženie. Za účelom dosiahnutia rovnomernejšieho rozloženia náplne a jej správneho vyváženia, odporúča sa pomiešať veľké a malé kusy prádla.



! Práčka bola navrhnutá a vyrobená v súlade s platnými medzinárodnými bezpečnostnými predpismi. Tieto upozornenia sú uvádzané z bezpečnostných dôvodov a je potrebné si ich pozorne prečítať.

Spotrebitelia majú povinnosť kontaktovať ich lokálny úrad alebo maloobchod kvôli informáciám týkajúcich sa správneho odovzdaniu a likvidácie ich starých spotrebičov.

SK

## Základné bezpečnostné pokyny

- Toto zariadenie bolo navrhnuté výhradne na použitie ako spotrebič.
- Zariadenie nesmú používať osoby (vrátane detí) so zníženými fyzickými, senzorickými alebo mentálnymi schopnosťami a s nedostatočnými skúsenosťami a znalosťami, s výnimkou prípadu, keď je zariadenie používané pod dozorom alebo na základe pokynov osoby, zodpovednej za ich bezpečnosť. Deti musia byť pod dozorom, aby bolo zabezpečené, že sa so zariadením nehrajú.
- Práčku môžu používať len dospelé osoby, podľa pokynov uvedených v tomto návode.
- Nedotýkajte sa zariadenia bosí, alebo v prípade, keď máte mokré ruky alebo nohy.
- Nevyťahujte zástrčku zo zásuvky ťahaním za kábel, ale uchopením za zástrčku.
- Neotvárajte dávkovač pracích prostriedkov počas činnosti zariadenia.
- Nedotýkajte sa odčerpávanej vody, pretože môže mať veľmi vysokú teplotu.
- V žiadnom prípade sa nepokúšajte o násilné otvorenie dvierok: mohlo by dôjsť k poškodeniu bezpečnostného uzáveru, ktorý zabraňuje náhodnému otvoreniu.
- Pri výskyte poruchy sa v žiadnom prípade nepokúšajte o opravu vnútorných častí zariadenia.
- Vždy majte pod kontrolou deti a zabráňte tomu, aby sa približovali k zariadeniu počas pracieho cyklu.
- Počas pracieho cyklu majú dvierka tendenciu zohrievať sa.
- Ak je potrebné ju presunúť, je dobré poveriť dve alebo tri osoby a vykonať to s maximálnou pozornosťou. Nikdy sa nepokúšajte zariadenie premiestňovať sami, pretože je veľmi ťažké.
- Pred zahájením vkladania prádla skontrolujte, či je bubon prázdny.

## Likvidácia

- Likvidácia obalových materiálov: pri ich odstránení postupujte v súlade s miestnymi predpismi a dbajte na možnú recykláciu.
- Európska smernica 2002/96/EC o odpadových elektrických a elektronických zariadeniach stanovuje, že staré domáce elektrické spotrebiče nesmú byť odkladané do bežného netriedeného domového odpadu. Staré spotrebiče musia byť odovzdané do oddeleného zberu a to za účelom recyklácie a optimálneho využitia materiálov, ktoré obsahujú, z dôvodu prevencie negatívneho dopadu na ľudské zdravie a životné prostredie. Symbol "prečiarknutej popolnice" na výrobku Vás upozorňuje na povinnosť odovzdať zariadenie po skončení jeho životnosti do oddeleného zberu.

# Údržba a starostlivosť

SK

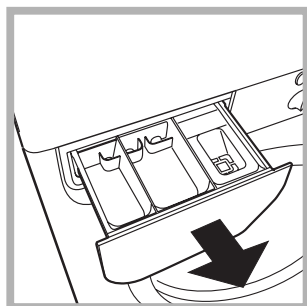
## Uzavretie prívodu vody a vypnutie elektrického napájania

- Po každom praní uzatvorte prívod vody. Týmto spôsobom sa znižuje opotrebenie rozvodu vody zariadenia a znižuje sa nebezpečenstvo úniku vody.
- Pred zahájením čistenia práčky a počas údržby je potrebné vytiahnuť zástrčku prívodného kábla zo zásuvky.

## Čistenie práčky

Vonkajšie časti a časti z gumy môžu byť čistené utierkou navlhčenou vo vlažnej vode a saponáte. Nepoužívajte rozpúšťadlá alebo abrazívne prostriedky.

## Čistenie dávkovača pracích prostriedkov



Vytiahnite dávkovač jeho nadvihnutím a vytiahnutím smerom von (vid' obrázok). Dávkovač umyte pod prúdom vody; toto čistenie je potrebné vykonávať pravidelne.

## Starostlivosť o dvierka a bubon

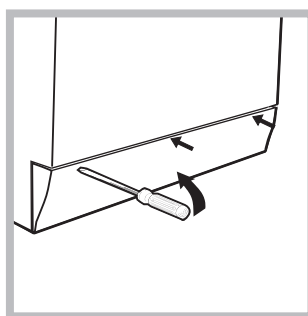
- Dvierka ponechajte zakaždým pootvorené, aby sa zabránilo tvorbe nepríjemných zápachov.

## Čistenie čerpadla

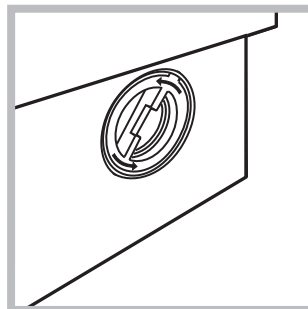
Súčasťou práčky je samočistiace čerpadlo, ktoré nevyžaduje údržbu. Môže sa však stať, že sa v jeho vstupnej ochrannej časti, nachádzajúcej sa na spodku, zachytia drobné predmety (mince, gombíky).

! Uistite sa, že prací cyklus bol ukončený a vytiahnite zástrčku zo zásuvky.

Prístup k vstupnej časti čerpadla:



1. pomocou skrutkovača odstráňte krycí panel, nachádzajúci sa v prednej časti práčky (vid' obrázok);



2. odskrutkujte veko otáčaním proti smeru hodinových ručičiek (vid' obrázok): vytečenie malého množstva vody je úplne bežným javom;

3. dokonale vyčistite vnútro;
4. nasadte naspäť veko;
5. namontujte naspäť krycí panel, pričom sa pred jeho prisunutím k práčke uistite, že došlo k správnej zachyteniu háčikov do príslušných otvorov.

## Skontrolujte prítokovú hadicu vodu

Stav prítokovej hadice je potrebné skontrolovať aspoň raz ročne. Ak sú na nej viditeľné praskliny alebo trhliny, je potrebné ju vymeniť: silný tlak v hadici počas pracieho cyklu by mohol spôsobiť jej náhle roztrhnutie.

! Nikdy nepoužívajte už použité hadice.

Môže sa stať, že práčka nebude fungovať. Skôr, ako zatelefonujete na Servisnú službu *vid' „Servisná služba“*) skontrolujte, či sa nejedná o problém ľahko odstrániteľný pomocou nasledujúceho zoznamu.

## Poruchy:

## Možné príčiny / Spôsob ich odstránenia:

**Pračku nie je možné zapnúť.**

- Zástrčka nie je zasunutá v elektrickej zásuvke, alebo nie je zasunutá dostatočne, aby došlo k spojeniu kontaktov.
- V celom dome je vypnutý prúd.

**Nedochádza k zahájeniu pracieho cyklu.**

- Nie sú riadne zatvorené dvierka.
- Nebolo stlačené tlačidlo ON/OFF.
- Nebolo stlačené tlačidlo START/PAUSE.
- Nebol otvorený kohútik prívodu vody.
- Bol nastavený oneskorený štart (*vid' „Užívateľské nastavenia“*).

**Pračka nenapúšťa vodu (rýchle bliká kontrolka prvej fázy prania).**

- Prítoková hadica nie je pripojená k vodovodnému kohútiku.
- Hadica je príliš ohnutá.
- Nebol otvorený kohútik prívodu vody.
- V celom dome je uzatvorený prívod vody.
- V rozvode vody nie je dostatočný tlak.
- Nebolo stlačené tlačidlo START/PAUSE.

**Pračka nepretržite napúšťa a odčerpáva vodu.**

- Vypúšťacia hadica sa nachádza mimo určeného rozmedzia od 65 do 100 cm nad zemou (*vid' „Inštalácia“*).
  - Koncová časť vypúšťacej hadice je ponorená vo vode (*vid' „Inštalácia“*).
  - Odpadové potrubie v stene nie je vybavené odvzdušňovacím otvorom.
- Ak po týchto kontrolách nedôjde k odstráneniu problému, zatvorte vodovodný kohútik, vypnite práčku a zavolajte Servisnú službu. V prípade, že sa byt nachádza na jednom z najvyšších poschodí je možné, že dochádza k sifónovému efektu, následkom ktorého práčka nepretržite napúšťa a odčerpáva vodu. Na odstránenie uvedeného efektu sú v predaji bežne dostupné špeciálne „protisifónové“ ventily.

**Pračka neodčerpáva vodu alebo neodstreďuje.**

- Odčerpanie vody netvorí súčasť nastaveného programu: pri niektorých programoch je potrebné aktivovať ho manuálne.
- Vypúšťacia hadica je ohnutá (*vid' „Inštalácia“*).
- Odpadové potrubie je upchaté.

**Pračka vo fáze odstredovania veľmi vibruje.**

- Počas inštalácie nebol bubon odistený predpísaným spôsobom (*vid' „Inštalácia“*).
- Pračka nie je dokonale vyrovnaná do vodorovnej polohy (*vid' „Inštalácia“*).
- Zariadenie je stlačené medzi nábytkom a stenou (*vid' „Inštalácia“*).

**Z práčky uniká voda.**

- Prítoková hadica nie je správne zaskrutkovaná (*vid' „Inštalácia“*).
- Dávkovač pracích prostriedkov je upchatý (spôsob jeho vyčistenia je uvedený v časti *„Údržba a starostlivosť“*).
- Vypúšťacia hadica nie je dobre pripevnená (*vid' „Inštalácia“*).

**Kontrolky „voliteľné funkcie“ a kontrolka „start/pause“ blikajú a jedna z kontroliek „prebiehajúca fáza“ a „ZABLOKOVANIA DVIEROK“ sa rozsvieti stálym svetlom.**

- Vypnite zariadenie a vytiahnite zástrčku zo zásuvky, vyčkajte 1 minútu a opätovne ho zapnite.
- Ak porucha pretrváva, obráťte sa na Servisnú službu.

**Dochádza k tvorbe nadmerného množstva peny.**

- Použitý prací prostriedok nie je vhodný na použitie v automatickej práčke (musí obsahovať označenie „pre pranie v práčke“, „pre pranie v rukách alebo v práčke“ alebo podobné označenie).
- Bolo použité jeho nadmerné množstvo.

**Pred obrátením sa na Servisnú službu:**

- Skontrolujte, či nie ste schopní poruchu odstrániť sami (vid' „*Poruchy a spôsob ich odstránenia*“);
- Opätovne uveďte do chodu prací program, s cieľom overiť, či bola porucha odstránená;
- V opačnom prípade sa obráťte na Centrum servisnej služby, na telefónnom čísle uvedenom na záručnom liste.

! Nikdy sa neobracajte so žiadosťou o pomoc na technikov, ktorí nie sú na vykonávanie tejto činnosti oprávnení.

**Pri hlásení poruchy uveďte:**

- druh poruchy;
- model zariadenia (Mod.);
- výrobné číslo (S/N).

Tieto informácie sú uvedené na štítku aplikovanom na zadnej časti práčky a v jej prednej časti, dostupnej po otvorení dvierok.