

# **COMPRESSOR WINE COOLER INSTRUCTION MANUAL**

**BU - 24 IN**  
**BU - 41 IN**

This manual contains important information including safety and installation instructions of the appliances. Please read it carefully before use and follow all safety information & instructions. It is recommended to keep this manual for easy reference so that you can be familiar with the operation of the appliance.



# CONTENTS

IMPORTANT SAFETY INFORMATION.....	3
DESCRIPTION OF APPLIANCE AND INSTALLATION.....	5
BU - 24 IN.....	5
BU - 41 IN.....	6
ACCESSORY INSTALLATION BEFORE OPERATING.....	7
UNPACKING AND CLEANING THE WINE COOLER .....	7
LOCK & UNLOCK THE DOOR (FOR OPTION).....	6
OPERATING THE WINE COOLER.....	7
WORKING CLIMATE.....	7
WINE STORAGE.....	8
CONTROL PANEL.....	9
POWER ON/OFF CONTROL .....	9
UNLOCKING THE CONTROL PANEL.....	10
INTERIOR LIGHTING ON/OFF CONTROL.....	10
TEMPERATURE DISPLAY WINDOW .....	10
TEMPERATURE SETTING.....	10
SELECTING FAHRENHEIT(°F) & CELSIUS (°C) DISPLAY.....	11
CARE AND MAINTENANCE.....	12
CLEANING THE WINE COOLER.....	12
POWER FAILURE.....	12
MOVING THE WINE COOLER .....	12
ENERGY SAVING TIPS.....	12
TROUBLESHOOTING .....	13
TROUBLESHOOTING .....	14
REVERSE THE DOOR SWING.....	16

- Please removed all packaging, stickers and films from the products surface and clean the product's surfaces with a damp cloth and mild detergent before using for the first time.
- Let the appliance stand upright for approximately 24 hours before connecting it to the power source, which helps to reduce the possibility of a cooling-system malfunction from handling during transportation.

## **IMPORTANT SAFETY INFORMATION**

Before using the appliance, please properly position and install it as described in this manual. To avoid the risk of fire, electrical shock, or injury when using the appliance, follow these basic precautions:

- This appliance is for domestic purposes only and is intended to be used exclusively for the storage of sealed bottled wines and beverages.
- The appliance must be positioned so that the plug is accessible.
- Make sure the voltage/current marked on the rating label corresponds with your supply voltage. Plug into a grounded 3-pin outlet, do not remove grounding pin, do not use an adapter, and do not use an extension cord.
- Do not connect or disconnect the electric plug with wet hands.
- To disconnect the appliance, grip the plug and pull it from the wall outlet. Never pull out by the cord.
- It is recommended that a separate circuit, serving only your appliance be provided.
- Unplug the appliance or disconnect power before cleaning, maintenance or servicing. Failure to do so can result in electrical shock or death.
- If the supply cord is damaged, it must be replaced by the manufacturer or its service agent or a similarly qualified person in order to avoid a hazard.
- The fuse (or circuit breaker) size should be 10 amps or higher.
- This appliance can be used by children aged from 8 years and persons with reduced physical, sensory or mental capabilities or lack of experience and knowledge if they have been given supervision or instruction concerning use of the appliance in a safe way and understand the hazards involved. Children shall not play with the appliance. Cleaning and user maintenance shall not be made by children without supervision.
- This appliance is not intended for use by persons (including children) with reduced physical, sensory or mental capabilities, or lack of experience and knowledge, unless they have been given supervision or instruction concerning use of the appliance by a person responsible for their safety. Children should be supervised to ensure that they do not play with the appliance.

- To ensure proper ventilation for the appliance, the front of the unit must be completely unobstructed. Locate the unit away from direct sunlight and sources of heat (stove, heater, radiator, etc.).
- Do not attempt to repair or replace any part of the appliance unless it is specifically recommended in this manual. All other servicing should be referred to a qualified technician.
- Ensure enough people to move and install the appliance to avoid any damage to the appliance or injury to the people.
- It is important for the appliance to be leveled in order to work properly. You may adjust the appliance's feet to level it.
- Never clean the appliance parts with flammable fluids which may create a fire hazard or explosion. And do not store or use gasoline or other flammable vapors and liquids in the vicinity of the appliance.
- Do not use solvent-based cleaning agents or abrasives on the interior. These cleaners may damage or discolor the interior.
- Do not use this appliance for other than its intended purpose.
- Do not use electrical appliance inside the appliance.
- The use of attachments not recommended by the manufacturer may be hazardous.
- Please keep the products away from the fire or similar glowing substance before you dispose the appliance.
- GWP( Global Warming Potential): R600a=3
- When you dispose the appliance, take off the door and leave the shelves in place so that children may not easily climb inside. And make sure the coolant circuit, particularly the heat exchanger at the back/bottom of the unit is not be damaged.



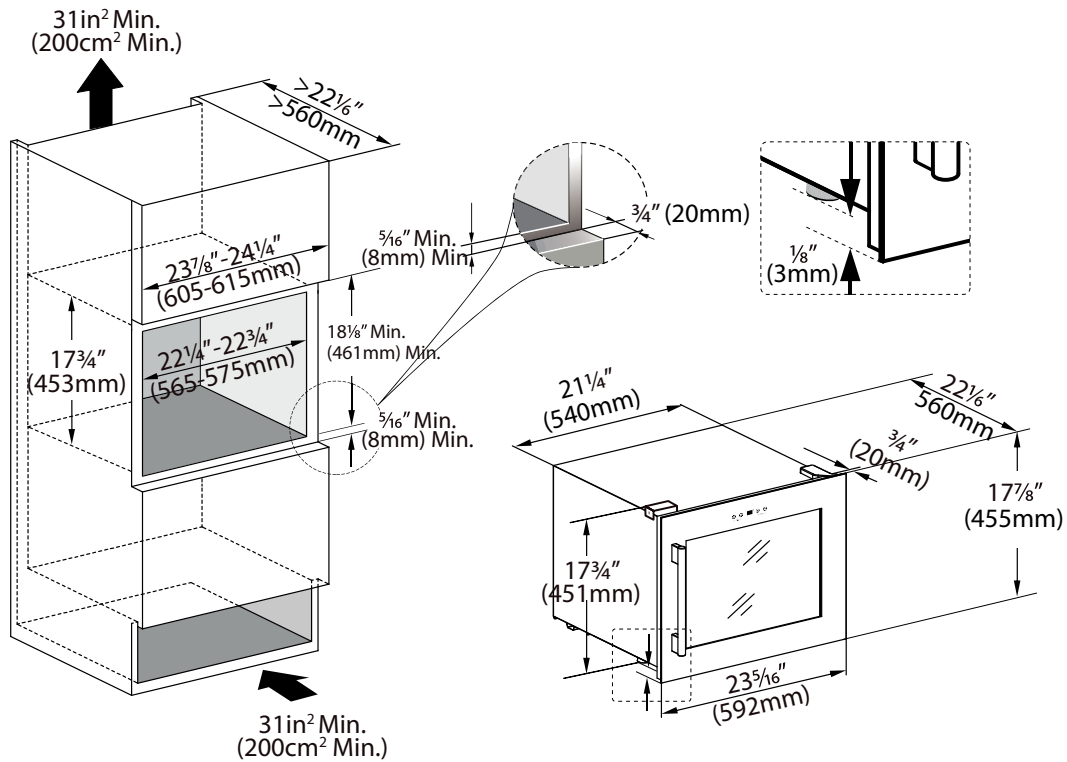
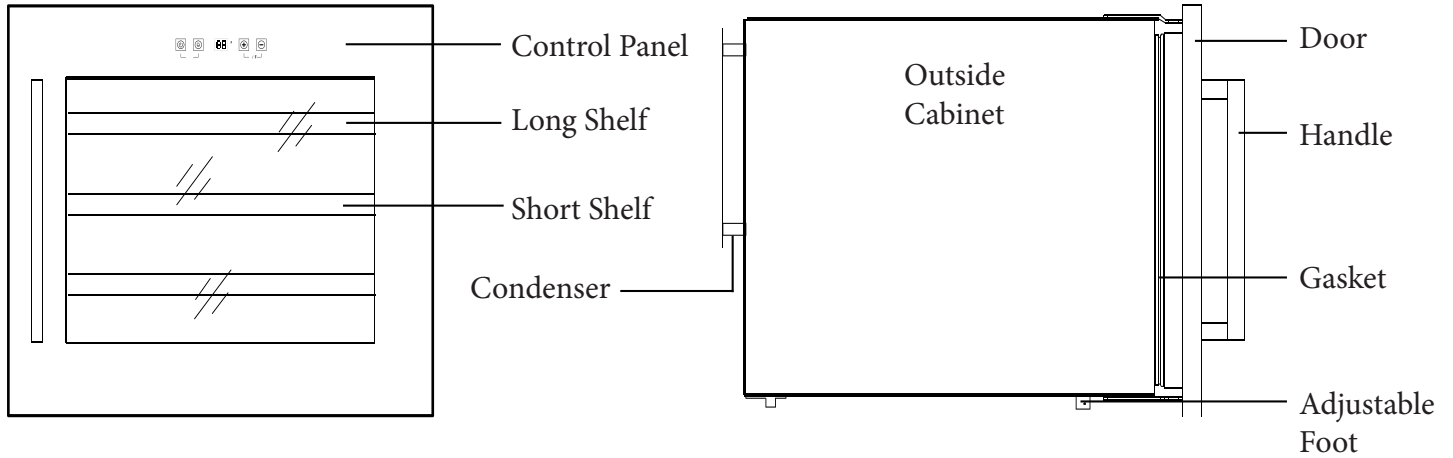
- The recycle symbol on the product or its packaging indicates that this product is not to be handled as normal household waste and it is to be taken to a recycling collection point for electrical and electronic goods.



# DESCRIPTION OF APPLIANCE AND INSTALLATION

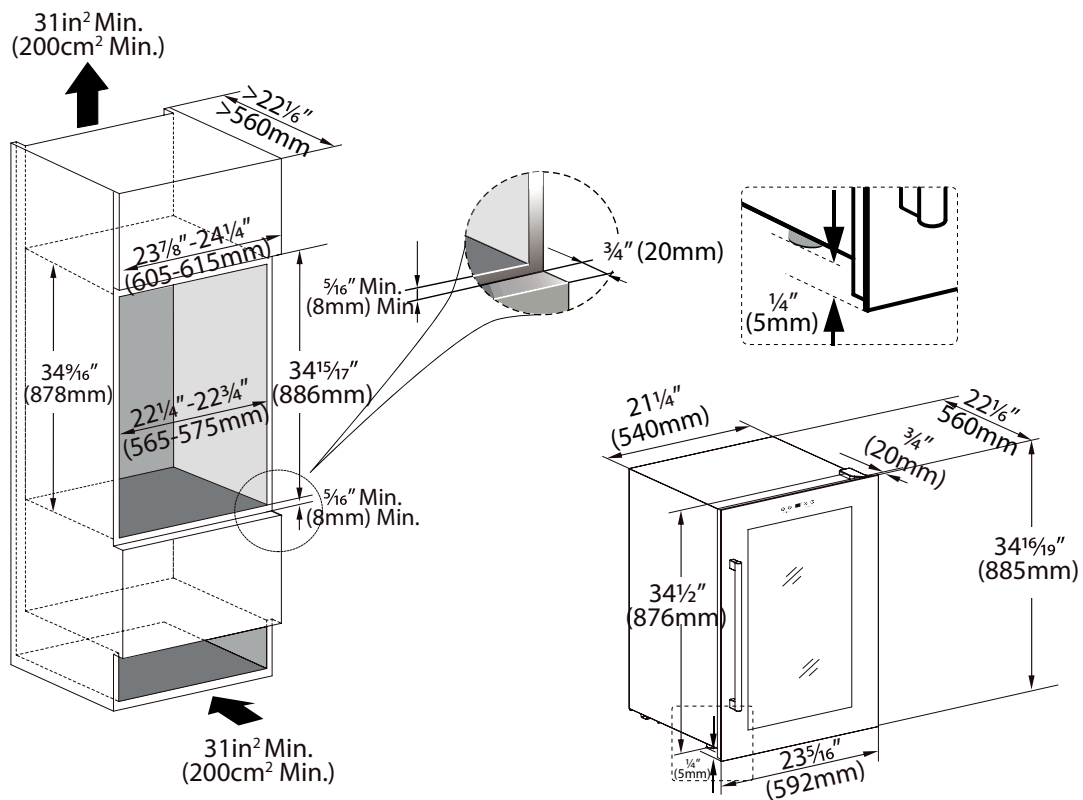
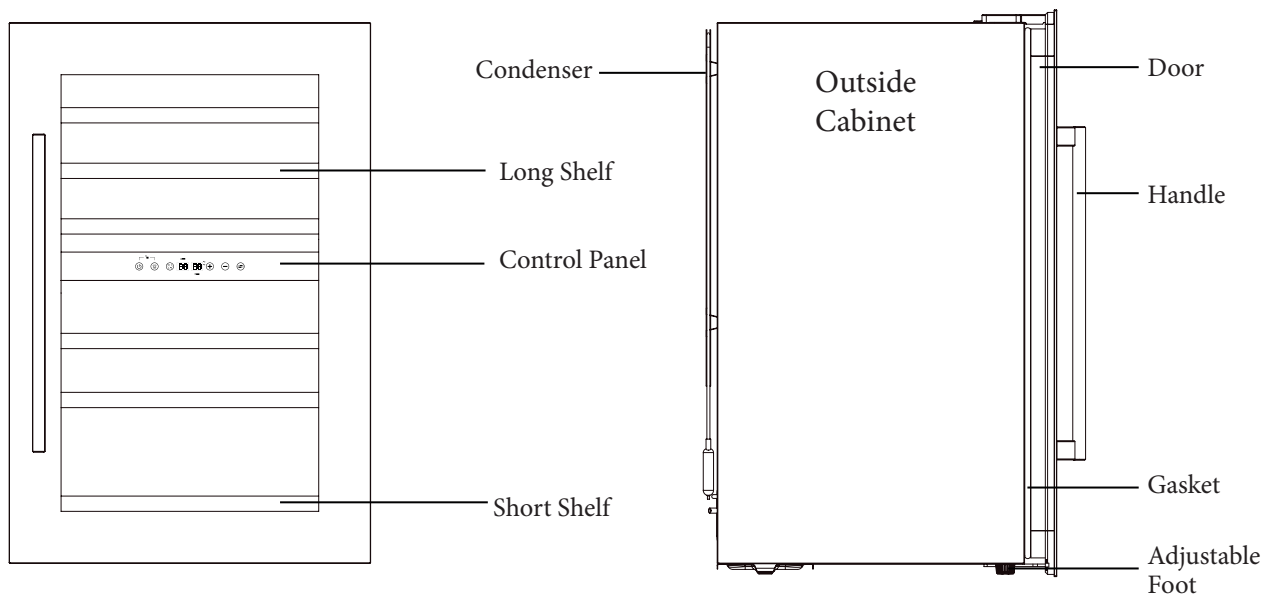
The following pictures only show description of appliance. The dimension and shelf quantity may differ among the models of the same series.



## BU - 24 IN Single Zone 24 Bottles

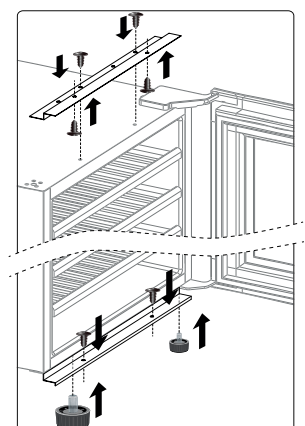


BU - 41 IN

## Dual zone 41 bottles



1. Before inserting the unit into the kitchen cabinet, please unscrew the original 4 leveling feet  (**in white**), and screw the 2 short leveling feet  (**in black**), which are packed as the accessory, to the front bottom of the unit.
2. Tighten the 2 screws to fix the **Bottom Mounting Bar** (which has been fixed on the bottom of the unit) to the kitchen cabinet.
3. For a firmly fixing of the unit, you can install an extra **Top Mounting Bar** (which is an accessory packed with the unit) onto the topside of the unit, and screw it with the kitchen cabinet. See right drawing.



# ACCESSORY INSTALLATION BEFORE OPERATING

## •UNPACKING AND CLEANING THE WINE COOLER

- Let the appliance stand upright for approximately 24 hours before connecting it to the power source, which helps to reduce the possibility of a cooling-system malfunction from handling during transportation.
- Use a soft cloth to clean the interior surface with lukewarm water.
- Install the door handle provided with the appliance by following these steps:

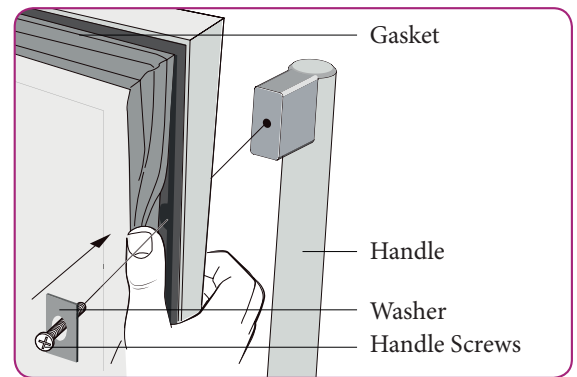
**1st Step** - Gently pull the door gasket to one side to reveal the two designated holes for handle installation.

**2nd Step** - Install the handle tightly as shown below with the two screws, and washers pre-installed.

**3rd Step** - Reinstall the Gasket.

### • LOCK & UNLOCK THE DOOR (FOR OPTION)

- Lock is an optional function. If your Wine Cooler has such function, a key should be attached inside the packing of this Manual.
- Insert the key into the lock and turn it counter-clockwise to unlock the door. To lock it, please turn clockwise. Please save the key well.



## OPERATING THE WINE COOLER

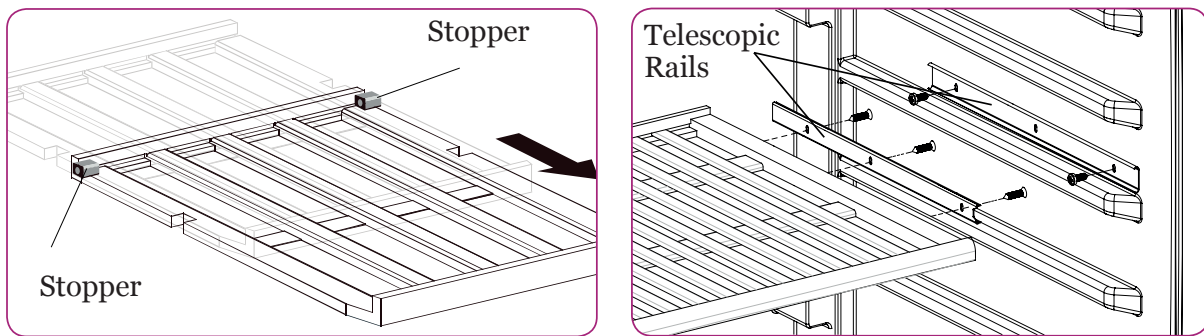
### • WORKING CLIMATE

- The appliance is designed for operating from SN to N climate (see below climate class chart). It is recommended to maintain the ambient around 22-25°C which helps the appliance working with low power consumption.
- If the ambient temperature is above or below the designed climate range, the performance of the unit may be affected. For example, the appliance operating in extreme cold or hot conditions may cause interior temperatures to fluctuate, and the temperature set 5-22°C may not be reached sometimes.

Climate Class	Ambient Temperature
SN	10 - 32 °C (50°F-90°F)
N	16 - 32 °C (61°F-90°F)
ST	18 - 38 °C (64°F-100°F)
T	18 - 43 °C (64°F-109°F)

## • WINE STORAGE

- The standard shelves are designed perfectly for Bordeaux bottle storage. The maximum loaded bottles may vary subject to the different size or dimension wine bottles you store.
- The shelves can be pulled out by 1/3 approximately for easy access to the wine storage. There are two designs for the pull-out shelves:
  1. The shelves are without telescopic rails, but with a plastic Stopper on each sides of the shelf track to prevent bottles from falling.
  2. The shelves are with Telescopic Rails which has stoppers by themselves.

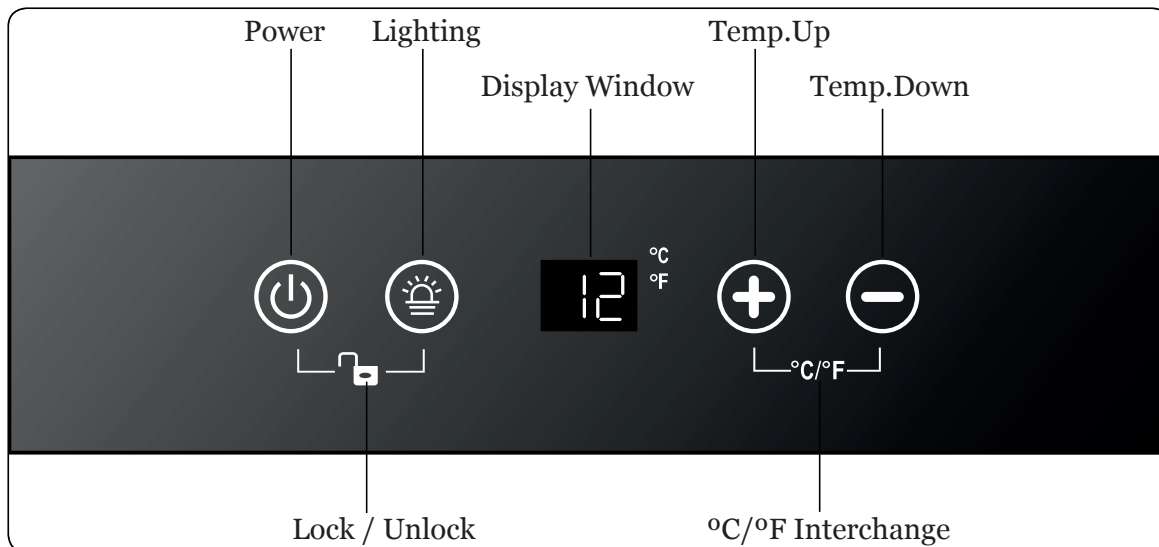


- To prevent damaging the door gasket, make sure to have the door opened fully all the way before pulling the shelves out.
  - Please store wine in sealed bottles.
  - Do not cover the shelves with aluminum foil or any other shelf material which may prevent air circulation.
- 
- Should the wine cooler be left empty for long periods it is suggested that the appliance is unplugged, and after careful cleaning, leave the door ajar to allow air to circulate inside the cabinet in order to avoid possible condensation, mold or odours forming.
  - Recommended temperatures for chilling/storing your wines.

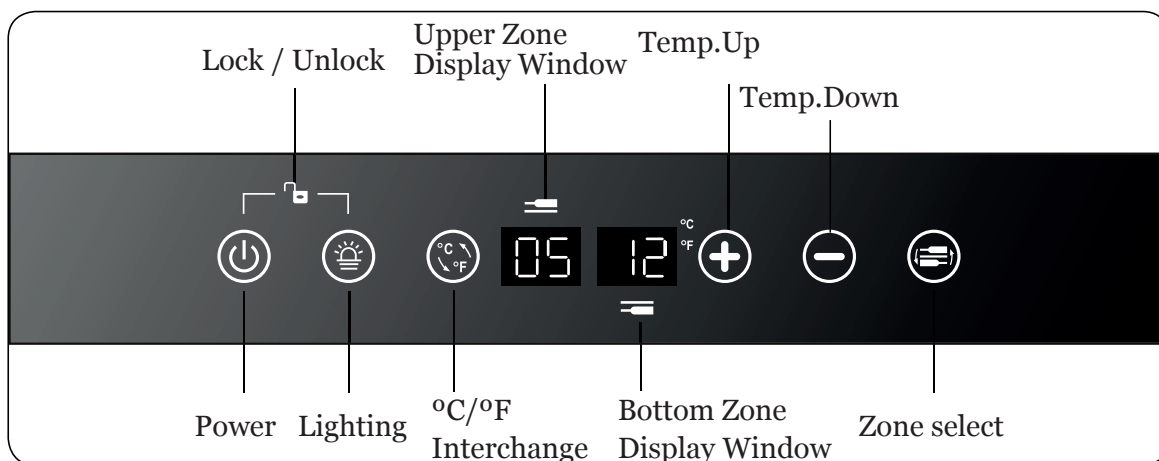
Wine Type	Recommender Temp.
Red Wines	15 - 18°C (59°F-64°F)
Dry/White Wines	9 - 14°C (48°F-57°F)
Rose Wines	10 - 11°C (50°F-52°F)
Sparkling Wines	5 - 8°C (41°F-46°F)



## CONTROL PANEL For Single Zone



## CONTROL PANEL For Dual Zone



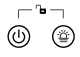
## POWER ON/OFF CONTROL

- When the appliance is plugged in to a power outlet, it powers on automatically.
- The power of **Left and Right Zone** will be turn off/on **at the same time** by Keep pressing the power mark (⏻) for **10 seconds** on Left or Right Zone.
- No matter the Control Panel is locked or unlocked, you can turn off the power of **Left and Right Zone at the same time** by keep pressing the power mark (⏻) for **10seconds** on Left or Right Zone.



Warning: To avoid damaging the compressor, please do not turn on the appliance again within **5 minutes** after you turn it off.

## UNLOCKING THE CONTROL PANEL

- To unlock the control panel, touch the power mark and lighting mark  with 2 fingers at the same time and hold for **3 seconds**. When unlocked a buzz sound will be heard.
- The control panel will be automatically locked with a buzz sound heard after **10 seconds** without being touched.
- Under the locked situation, the control panel will not react to any touching order for Lighting On/Off and Temperature Setting.

## INTERIOR LIGHTING ON/OFF CONTROL

- Under the unlocked situation, touch the lighting mark  to turn on (or turn off) the interior cool LED lighting.
- The lighting will stay on until it is manually turned off.

## TEMPERATURE DISPLAY WINDOW





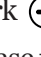
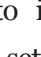
- The temperature is displayed in digital which is the best way to be read out. The digital is shown as the set temperature when you are setting the temperature, and it will change to be the real temperature of the inside cabinet after **10 seconds** without being touched.
- When the temperature probe is out of order, the display window will show with “HH” or “LL” instead of a digital figure while continuous buzz sound will be heard. In case of this happens, this appliance is considerably designed to keep periodical running of compressor and fans which helps to keep the coldness of the inside cabinet to protect your stored wines.










**Warning:** To avoid destroying your stored wines, it is strongly recommended to have the appliance repaired immediately, as the spare periodical running can not ensure the appliance to achieve the temperature you have set.

## TEMPERATURE SETTING

### For Single Zone

- The temperature setting range is 5-22 °C (41-72 °F).
- Directly touch the  or  mark to set the wine cooler temperature as you want.
- The first touch on  or mark  will recall the previous set temperature displayed.
- Touch the mark  to increase the set temperature by 1°C (or by 1°F). On the contrary, touch the mark  to decrease the set temperature by 1°C (or by 1°F).
- The digital will change to display the real temperature of the inside cabinet after **10 seconds** without being touched.

### For Dual Zone

- The temperature setting ranges are 5-12 °C (41-54 °F) for the upper zone and 12-22 °C (54-72 °F) for the bottom zone.
- You need to select the set zone by touching the  mark before touching the mark  or  to set the desired temperature. The zone temperature will flash when it is ready to be set.
- The first touch on mark  or  will recall the previous set temperature displayed in the digital window.
- Touch the mark  to increase the set temperature by 1°C (or by 1°F). On the contrary, touch the mark  to decrease the set temperature by 1°C (or by 1°F).
- The digital will change to display the real temperature of the inside cabinet after 10 seconds without being touched.

### Note:


For the first time to use the appliance or to restart the appliance after having been shut off for a long time, you may find a few degrees variance between the set temperature and the displayed temperature. It will be normal after a few hours running

## SELECTING FAHRENHEIT(°F) & CELSIUS (°C) DISPLAY

### For Single Zone

The Fahrenheit and Celsius display of the **Left and Right Zone** can be interchanged at the same time by keep pressing the marks   simultaneously for **5 seconds** on Left or Right Zone.

### For Dual Zone

Directly touch the mark , you can interchange the Fahrenheit and Celsius display for both zones at the same time.

# CARE AND MAINTENANCE

## CLEANING THE WINE COOLER

- Turn off the power, unplug the appliance, and remove all items including shelves.
- Wipe the inside surfaces with a sponge and baking soda solution. The solution should be about 2 tablespoons of baking soda to 1 quart (approx. 1 litre) of warm water.
- Wash the shelves with a mild detergent solution. Allow wooden shelves to dry before placing back into the wine cooler.
- Wring excess water out of the sponge or cloth when cleaning area of the controls, or any electrical parts.
- Wipe the outside cabinet with warm water and mild liquid detergent. Wipe dry with a clean soft cloth.
- Do not use steel wool or steel brush on the stainless steel. These will scratch the stainless steel with steel particles and rusting may occur.

## POWER FAILURE

Most power failures are corrected within a few hours and should not affect the temperature of your appliance if you minimize the number of door openings. If the power is going to be off for a longer period of time, you need to take the proper steps to protect your wines.

## MOVING THE WINE COOLER

- Remove all items.
- Securely tape down all loose items (shelves) inside your appliance.
- Turn the adjustable leg up to the base to avoid damage.
- Tape the door shut.
- Be sure the appliance stays secure in the upright position during transportation. Also protect outside of appliance with a blanket, or similar item.

## ENERGY SAVING TIPS

- The appliance should be located away from heat producing appliances, and away from direct sunlight.
- Ensure that the unit is adequately ventilated. Never cover air vents.
- Only open the door when necessary. Avoid leaving the door open for long periods or opening/closing the door frequently.

# TROUBLESHOOTING

If you feel the appliance is not working properly, follow these instructions to try to see if you can solve the problem simply by yourself before calling for service.

No.	PROBLEM	PROBLEM POSSIBLE CAUSE / MEASURE
1	The wine cooler does not operate	Not plugged in. The appliance is turned off. The circuit breaker tripped or a blown fuse.
2	The wine cooler is not cold enough	Check the temperature control setting. External environment may require a higher setting. The door is opened too frequently. The door is not closed completely. The door gasket does not seal properly.
3	Automatically turn-on and turn-off frequently	The room temperature is hotter than normal. A large amount of contents has been added to the wine cooler. The door is opened too frequently. The door is not closed completely. The temperature control is not set correctly. The door gasket does not seal properly.
4	The lighting does not work	Not plugged in. The circuit breaker tripped or a blown fuse. The lighting is turned off.
5	Too much vibration	Check to assure that the appliance is level. Check to assure no parts inside the cabinet or in the compressor chamber are loose.
6	The wine cooler seems to make too much noise	The rattling noise may come from the flow of the refrigerant, which is normal. As each cycle ends, you may hear gurgling sounds caused by the flow of refrigerant. Contraction and expansion of the inside walls may cause popping and crackling noises. The appliance is not level.
7	The door will not close properly.	The wine cooler is not level. The door was reversed and not properly installed. The gasket is dirty. The shelves are out of position.
8	The display window is shown with "HH" or "LL" instead of a digital figure, and/or with continuous buzz sound.	The temperature probe is out of order.

# REVERSE THE DOOR SWING

Note:

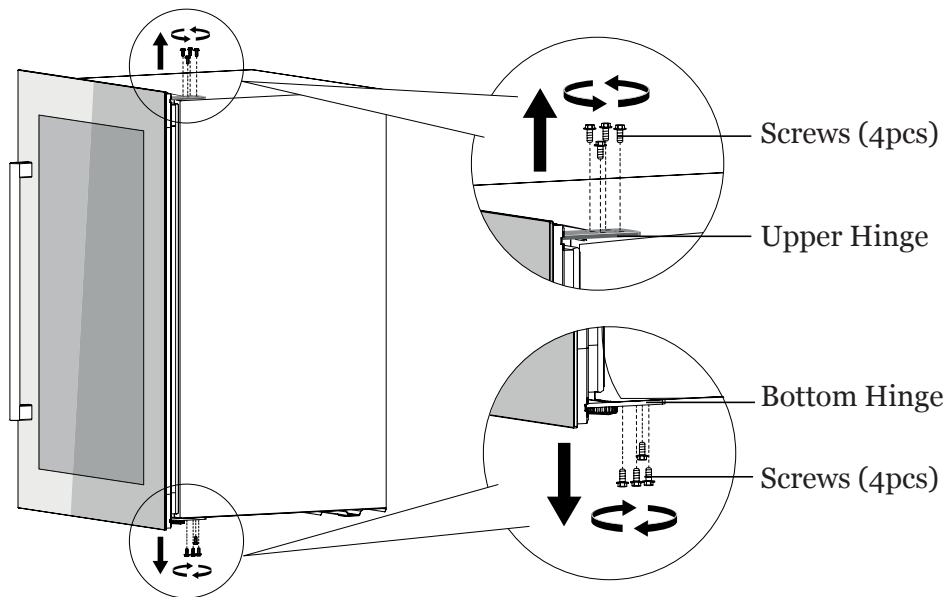
Door Reversal is **NOT available** for a unit with **Control Panel on Door**.

For BU - 41 IN cabinet Only

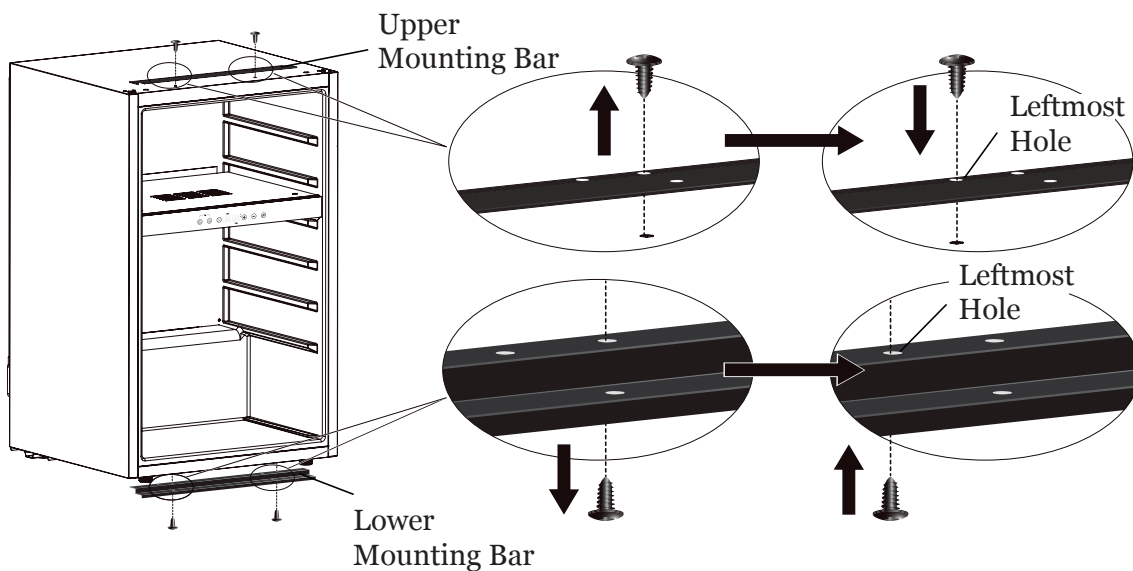
## Remarks:

- This instruction is based on a unit with Right Door Hinge installed already.
- All removed parts must be saved to do the door reinstalation.

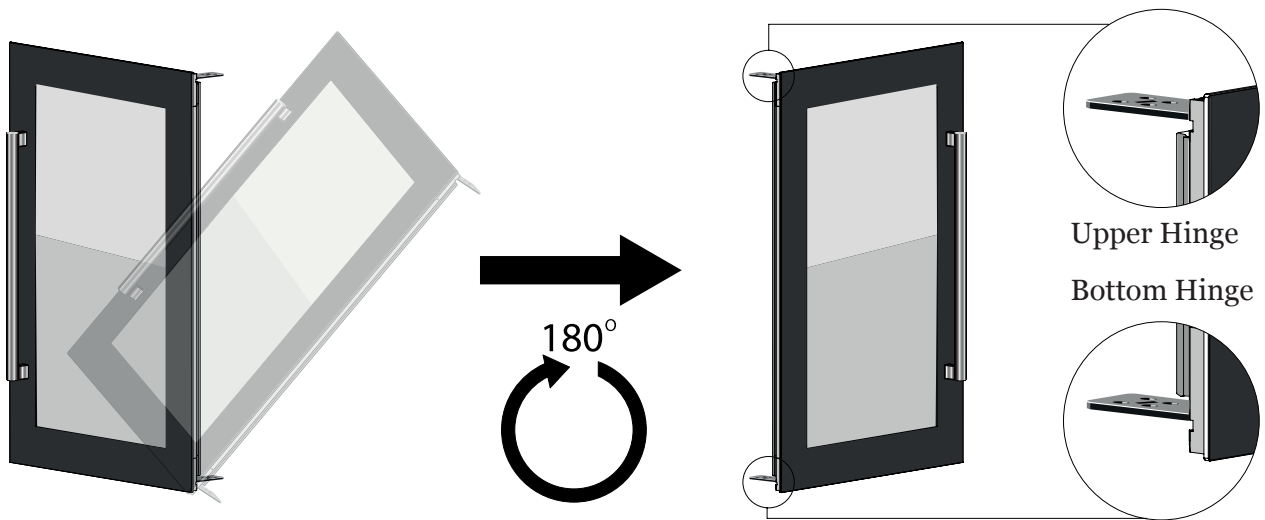
**1st Step** – Unscrew the 8 screws from Upper Hinge and Bottom Hinge one by one;



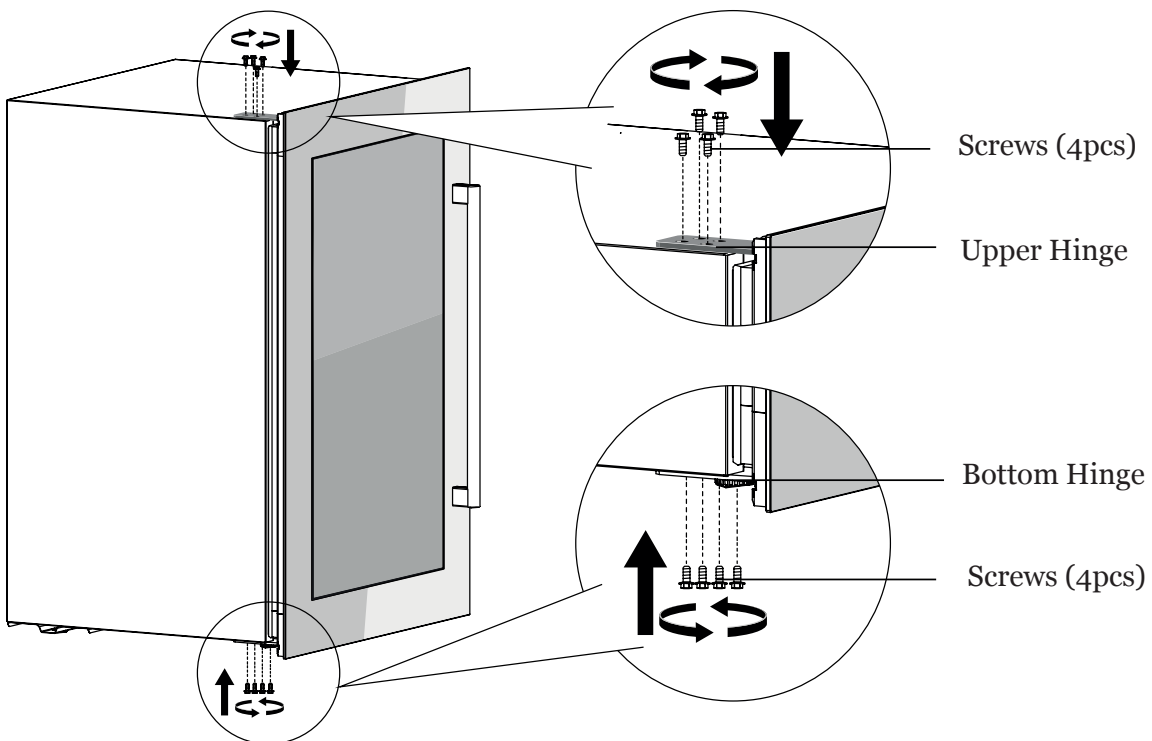
**2nd Step** – Unscrew the Upper Mounting Bar and Lower Mounting Bar, remove this two bars from left side to the right edge of the unit. Fix this two bars by screwing it through leftmost screw holes.



**3rd Step** – Turn the door over by 180° (upside down);



**4th Step** – Screw the 8 screws of Upper Hinge and Bottom Hinge tightly one by one;



# MAINTENANCE RECORD

Date	Error description	Service Location	Service center	Repairer	Signature

# WARRANTY CARD

Note: Please fill out the form completely. If the content is fake or changed, after-sales service will not be provided, this page should be conserved by suppliers. Seal of approval must be given to keep it efficient.

Model		
Users' information		
Purchase information		
Name		
Working company		
Address		
Name of supplier		
Address of supplier		
Operator	Phone number	
Email	Phone number	Purchase date





Better Trading, spol. s.r.o.  
Dobrovského 29, Brno 612 00  
Warehouse: Dornych 102, Brno 602 00  
Tel: +420 541 241 636  
Business information: +420 734 797 567  
Servis: +420 733 787 733  
Email: [info@humibox.cz](mailto:info@humibox.cz)  
[www.humibox.cz](http://www.humibox.cz)



# **VINOTÉKA S KOMPRESOREM**

## **NÁVOD K POUŽITÍ**

### **BU - 24 IN**

### **BU - 41 IN**

Tento návod k použití obsahuje důležité informace včetně bezpečnostních a instalačních pokynů. Prosím, pečlivě jej nastudujte před prvním použitím a dodržujte všechny bezpečnostní a informační instrukce. Doporučuje se uschovat si tento manuál kvůli možnosti pozdějšího použití.



# OBSAH

IMPORTANT SAFETY INFORMATION.....	3
DESCRIPTION OF APPLIANCE AND INSTALLATION.....	5
BU - 24 IN 82cm.....	5
BU - 41 IN 82cm.....	6
ACCESSORY INSTALLATION BEFORE OPERATING.....	6
UNPACKING AND CLEANING THE WINE COOLER .....	6
LOCK & UNLOCK THE DOOR (FOR OPTION).....	6
OPERATING THE WINE COOLER.....	7
WORKING CLIMATE.....	7
WINE STORAGE.....	7
CONTROL PANEL.....	8
POWER ON/OFF CONTROL .....	8
UNLOCKING THE CONTROL PANEL.....	9
INTERIOR LIGHTING ON/OFF CONTROL.....	9
TEMPERATURE DISPLAY WINDOW .....	9
TEMPERATURE SETTING.....	9
SELECTING FAHRENHEIT(°F) & CELSIUS (°C) DISPLAY.....	10
CARE AND MAINTENANCE.....	11
CLEANING THE WINE COOLER.....	11
POWER FAILURE.....	11
MOVING THE WINE COOLER .....	11
ENERGY SAVING TIPS.....	11
TROUBLESHOOTING .....	12
MAINTENANCE RECORD and WARRANTY CARD.....	13

- Prosím, před prvním použitím odstraňte z povrchu výrobku veškeré obaly, nálepky a povlaky a otřete povrch výrobku vlhkým hadříkem a jemným čisticím prostředkem.
- Nechejte spotřebič postavený vzpřímeně přibližně 24 hodin před zapojením do elektriny, což umožní snížit možnost závady chladicího systému z manipulace během přepravy.

## DŮLEŽITÁ BEZPEČNOSTNÍ UPOZORNĚNÍ

Před použitím spotřebiče, dbejte na správné umístění a instalujte ho tak, jak je popsáno v návodu. Aby se předešlo riziku požáru, zraněním elektrickým proudem, nebo zranění, při použití spotřebiče, dodržujte následující bezpečnostní opatření:

- Toto zařízení je určeno pouze pro domácí použití a je určeno výhradně pro uskladnění zavřených láhví vína a nápojů.
- Tento spotřebič musí být umístěn tak, aby elektrická zásuvka byla přístupná.
- Ujistěte se, že napětí/je vyznačeno na štítku/souhlasí s vaším zdrojem napětí. Zapojte do uzemněné 3-kolíkové zásuvky, neodstraňujte uzemňující pojistky, nepoužívejte adaptér, ani nepoužívejte prodlužovací šňůru.
- Nezapojujte nebo neodpojujte elektrickou zástrčku mokřýma rukama.
- Pro odpojení spotřebiče, uchopte zástrčku a vytáhněte ji ze zásuvky ve zdi. Nikdy netahejte za šňůru.
- Doporučuje se mít samostatný okruh, sloužící jen stanovenému zařízení.
- Vytáhněte zařízení ze zásuvky nebo odpojte od zdroje před čištěním, údržbou nebo prováděním servisu. Pokud tak neučiníte, může dojít k úrazu elektrickým proudem nebo k usmrcení.
- Jestliže zdrojový kábel je poškozený, kvůli možnému riziku, musí být vyměněn výrobcem nebo autorizovanou servisní firmou nebo obdobně kvalifikovanou osobou.
- Pojistka (nebo fázový jistič) by měla mít hodnotu 10 ampérů nebo vyšší.
- Spotřebič může být používán dětmi od 8 let a osobami s omezenými fyzickými, sensorickými nebo duševními schopnostmi nebo osobami s nedostatečnými zkušenostmi či znalostmi, pouze mají-li nad sebou přímý dozor, nebo pokud byly seznámeny s bezpečným používáním vinotéky a chápou možná rizika. Děti nesmí používat toto zařízení jako hračku. Čištění a údržba nesmí být prováděna dětmi bez dohledu dospělých.
- Vinotéka není určena, aby ji užívaly osoby s omezenými fyzickými nebo duševními schopnostmi (včetně dětí) nebo osobami s nedostatečnými zkušenostmi či znalostmi, pokud takové osoby nemají nad sebou přímý dozor nebo pokud nebyly seznámeny s používáním vinotéky osobou, plně odpovědnou za jejich bezpečnost. Děti by měly být pod dozorem, aby se zajistilo, že si nebudou hrát se spotřebičem.

- Ujistěte se, že zařízení je řádně odvětráváno, přední díl nesmí být zatarasen. Spotřebič umístěte mimo přímý kontakt se sluncem a zdroji tepla (sporák, ohřívač, radiátor, atd.).
- Nepokoušejte se opravit či vyměnit jakoukoliv část spotřebiče pokud to není přesně napsáno v návodu. Jakýkoliv jiný servis by měl být prováděn kvalifikovaným technikem.
- Zajistěte dostatečně, aby lidé, kteří instalují spotřebič, měli dostatek prostoru, tak aby se předešlo poškození zařízení nebo zranění lidí.
- Pro řádné fungování tohoto zařízení je důležité, aby stála rovně. K nastavení lze použít nastavitelnou vyrovnávací nožku.
- Nikdy nečistěte žádnou část tohoto zařízení s hořlavými tekutinami, které mohou způsobit riziko požáru a exploze. Nemějte uskladněný nebo nepoužívejte v blízkosti benzín nebo jiné zápalné páry a tekutiny.
- Nepoužívejte žádná rozpouštědla na bázi brusných čisticích prostředků na interiér. Tyto čisticí prostředky mohou poškodit nebo způsobit vyblednutí interiéru.
- Nepoužívejte tento přístroj k jinému než stanovenému účelu
- Do vinotéky neumísťujte žádná jiná zařízení.
- Použití příslušenství, které není doporučeno výrobcem, může být nebezpečné.
- Před likvidací umístěte tento přístroj mimo dosah ohně a podobně horkých látek.
- GWP (Potenciál globálního oteplování): R600a=3
- Při likvidaci spotřebiče, sundejte dvířka a nechte police uvnitř vinotéky, tak aby děti nemohly snadno vlézt dovnitř. A ujistěte se, že okruh chladiva, zvláště tepelný výměník na zadní / spodní straně přístroje není poškozen.

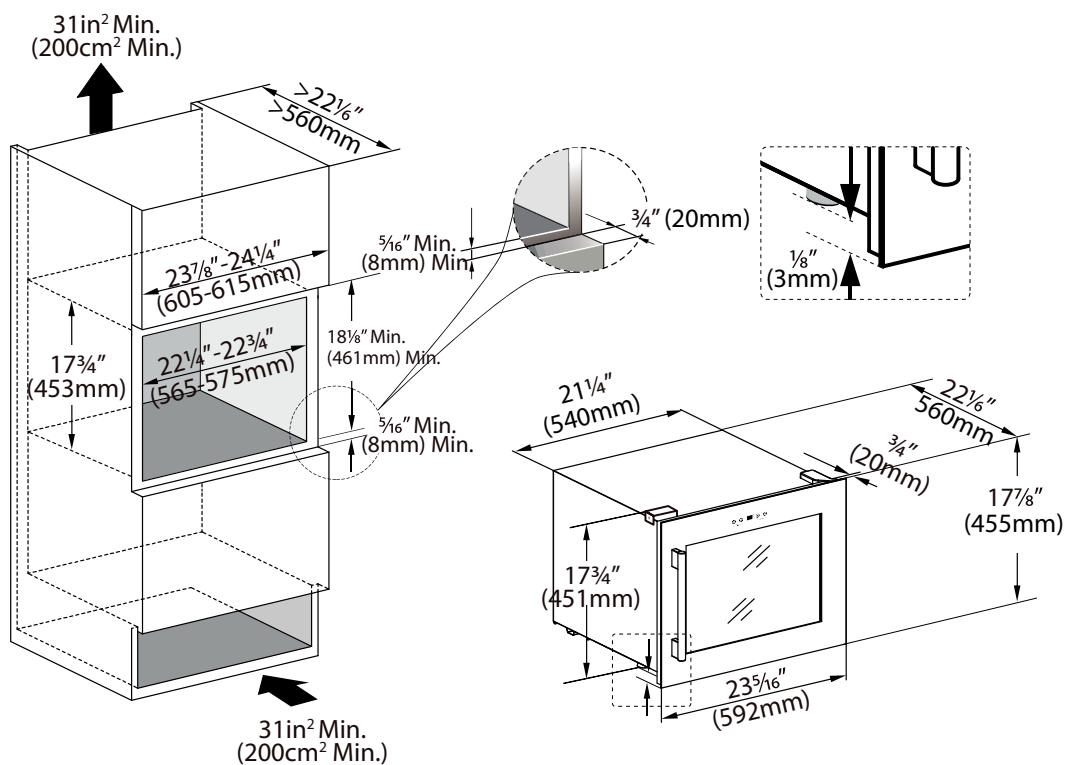
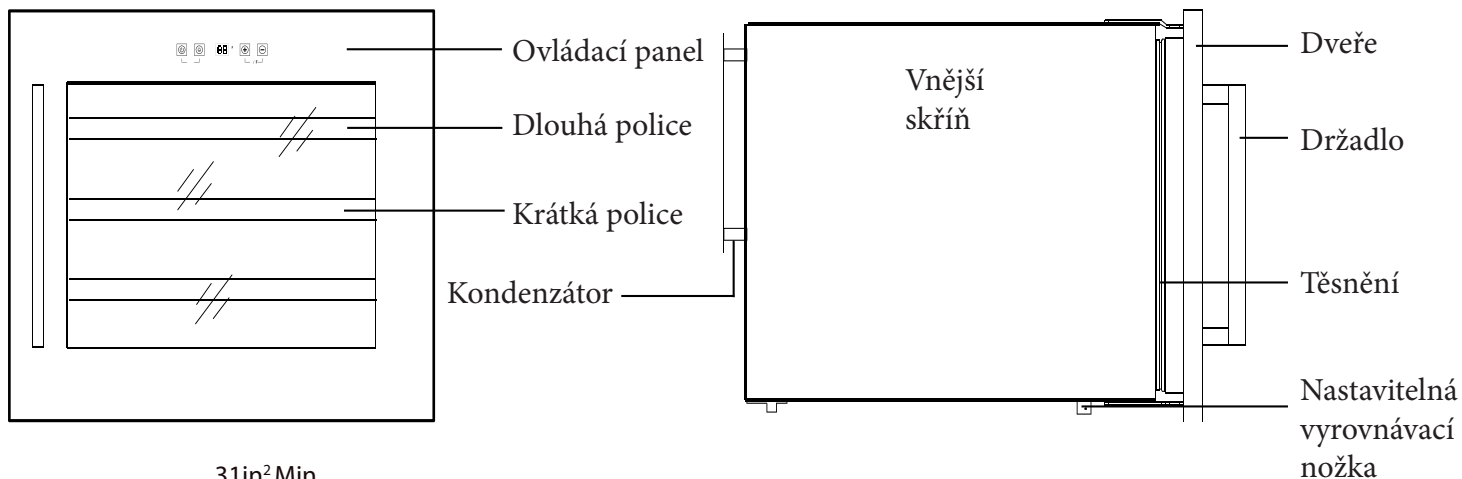


- Symbol pro recyklaci na výrobku nebo na obalu označuje, že tento výrobek není brán jako běžný domácí odpad a musí být odvezen do recyklační sběrný pro elektrická a elektronická zařízení.

# POPIS ZAŘÍZENÍ A INSTALACE

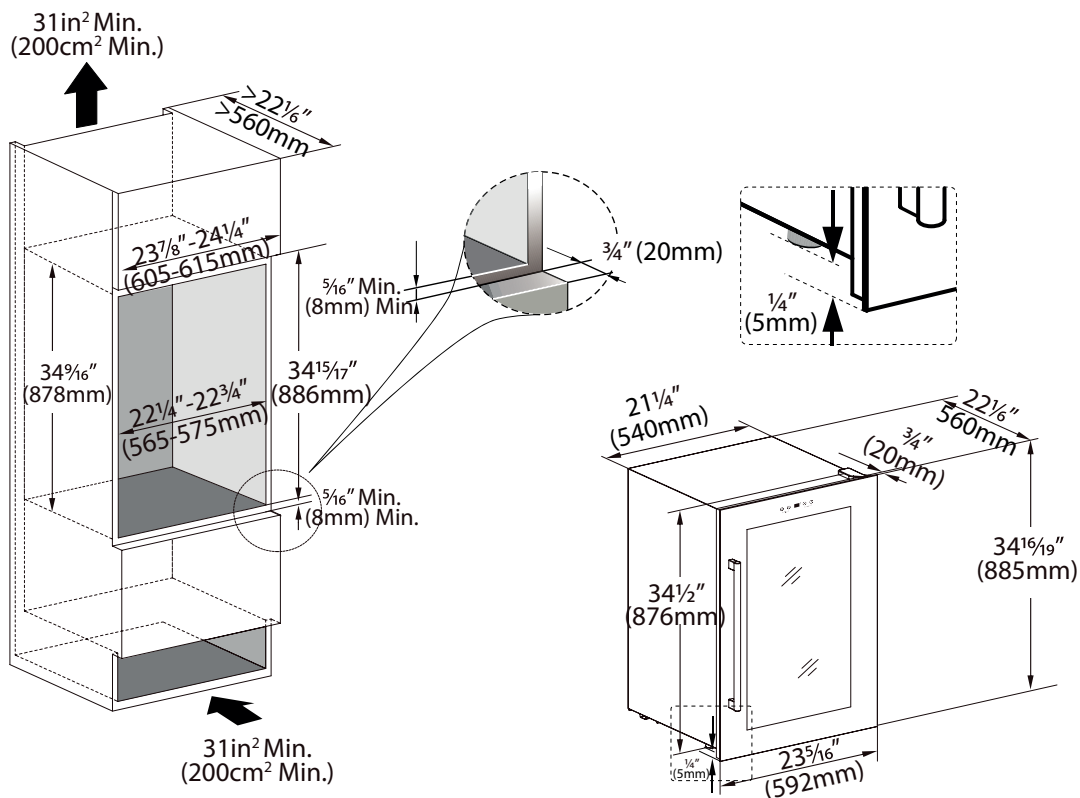
Následující obrázky ukazují pouze popis zařízení. Rozměr a množství polic se mohou lišit mezi modely stejné řady.



BU - 24 IN Jednozónová - 24 lahví

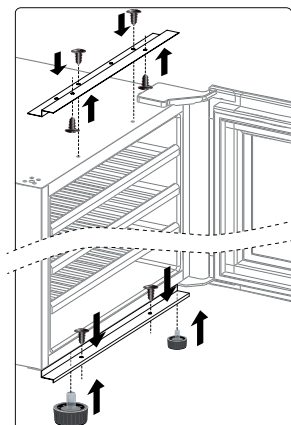


BU - 41 IN

Dvouzónová - 41 lahví



1. Před vložením spotřebiče do kuchyňské skříňky, prosím odšroubujte 4 původní vyrovnávací nožky  (**bílé**), a přišroubujte 2 krátké vyrovnávací nožky  (**černé**) které jsou příslušenství, ve přední spodní části přístroje.
2. Utáhněte 2 šrouby pro upevnění **Spodního montážního panelu** (který byl připevněn na spodek přístroje) ke kuchyňské skřínce.
3. Pro řádné upevnění spotřebiče, můžete navíc instalovat **Horní Montážní panel** (což je příslušenství zabalené se spotřebičem) k vrchní straně zařízení a přišroubovat ho ke kuchyňské skřínce. Podívejte se na obrázek vpravo.



# INSTALACE PŘÍSLUŠENSTVÍ PŘED UVEDENÍM DO PROVOZU

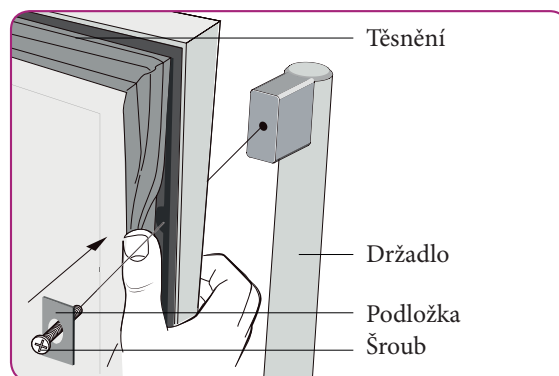
## •ROZBALENÍ A ČIŠTĚNÍ VINOTÉKY

- Odstraňte vnější a vnitřní obalové materiály.
- Nechte spotřebič stát ve správné pozici přibližně 24 hodin před připojením ke zdroji elektřiny, což umožní snížit možnost závady chladicího systému z manipulace během přepravy.
- K čištění vnitřní části použijte vlažnou vodu a měkký hadřík.
- Nainstalujte držadlo dodané k výrobku podle následujících kroků:

- 1. KROK** - Jemně odtáhněte těsnění dveří na stranu a objevíte 2 otvory určené k instalaci.
- 2. KROK** - Nainstalujte rukojeť pevně, tak jak je ukázáno, se dvěma šrouby s předem připravenými podložkami.
- 3 KROK** - Znovu nainstalujte těsnění.

### ZAMKNUTÍ & ODEMKNUTÍ DVEŘÍ (MOŽNOST VOLBY)

- Uzamknutí je nastavitelná funkce. Jestliže vaše Vinotéka má takovou funkci, klíč by měl být připevněn jako součást návodu k použití.
- Vložte klíč do zámku a otočte jím proti směru hodinových ručiček, aby se dveře odemkly. Chcete-li zamknout, prosím otočte ve směru hodinových ručiček. Klíč pečlivě uschovejte.



## OVLÁDÁNÍ VINOTÉKY

### • PRACOVNÍ PROSTŘEDÍ

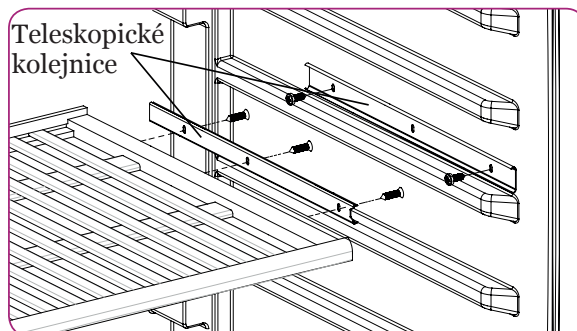
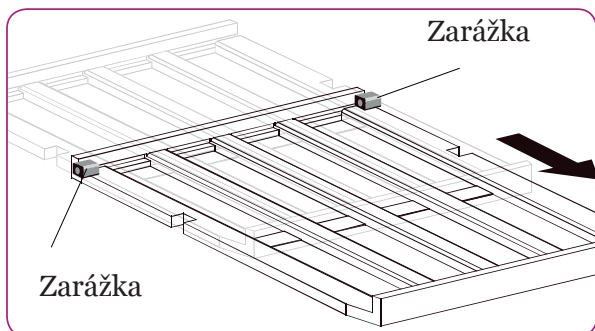
- Příklad je určen pro provoz od SN do N klimatu (viz. níže tabulka klimatických tříd). Je doporučeno udržovat okolní teplotu okolo 22-25°C, ta pomáhá k fungování přístroje s nízkou spotřebou.
- Je-li okolní teplota nad nebo pod navrženým rozsahem klimatu, může být ovlivněn výkon jednotky. Například, zařízení pracující v extrémně chladných nebo horkých podmínkách může způsobit kolísání vnitřní teploty, a nastavení teploty 5-22°C nemusí být dosažitelné.

Klimatické třídy	Okolní teplota
SN	10 - 32 °C (50°F-90°F)
N	16 - 32 °C (61°F-90°F)
ST	18 - 38 °C (64°F-100°F)
T	18 - 43 °C (64°F-109°F)



## • SKLADOVÁNÍ VÍNA

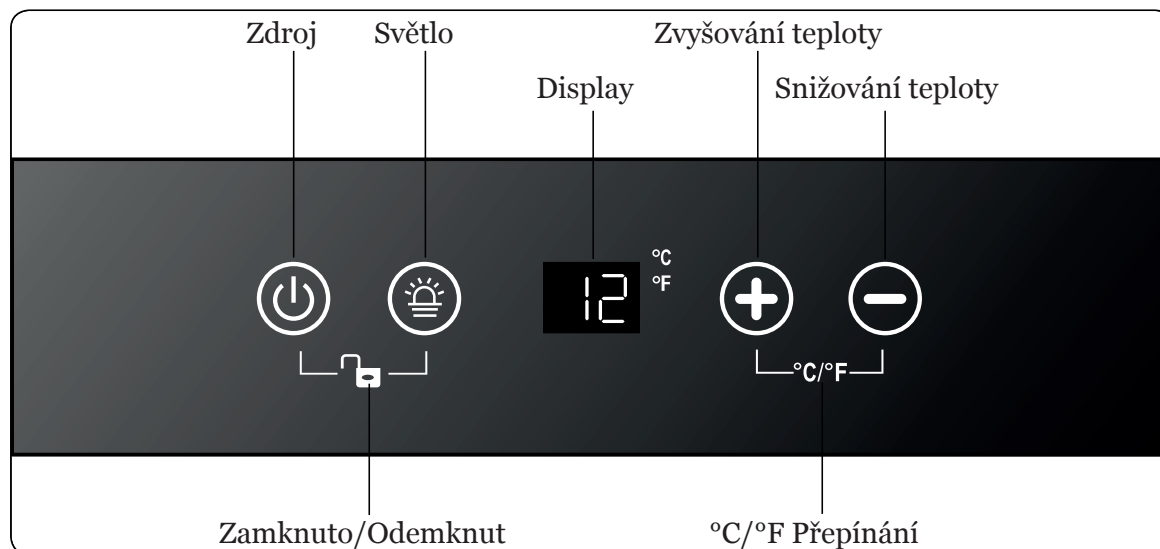
- Standardní police jsou určeny přesně pro skladování lahví Bordeaux. Maximální počet vložených lahví se může lišit v závislosti na rozdílné velikosti nebo rozměrech lahví vína, které ukládáte.
- Police lze vysunout přibližně o 1/3 pro snadný přístup do vinného skladu. Vysunovací police jsou ve dvou vzorech.
  1. Police jsou bez teleskopických kolejniček, ale s plastovou zarážkou na každé straně police, aby se zabránilo pádu láhve.
  2. Police s Teleskopickými Kolečnicemi, které zastavují sami o sobě.



- Aby nedošlo k poškození těsnění dveří, ujistěte se, že máte dveře zcela otevřené po celou dobu vytahování police ven.
- Prosím ukládejte víno v uzavřených láhvích.
- Nezakrývejte police hliníkovou fólií nebo jiným materiálem, který by mohl zabránit cirkulaci vzduchu.
- V případě, že vinotéka bude ponechána prázdná na delší dobu, doporučuje se, aby byl spotřebič odpojen. Po pečlivém čištění, nechte dveře pootevřené, aby vzduch mohl uvnitř cirkulovat a předešlo se tak možné kondenzaci, vzniku plísní nebo tvorbě zápachu.
- Doporučené teploty pro chlazení/ukládání vína.

Druh vína	Doporučená teplota
Červená vína	15 - 18°C (59°F-64°F)
Suchá/Bílá vína	9 - 14°C (48°F-57°F)
Růžová vína	10 - 11°C (50°F-52°F)
Šumivá vína	5 - 8°C (41°F-46°F)

## OVLÁDACÍ PANEL Jednozónový



## Dvouzónový





### OVLÁDÁNÍ ZAPNUTO/VYPNUTO

- Když je přístroj zapojen do elektrické zásuvky, zapne se automaticky.
- Stiskněte tlačítko zdroj (🔌) asi na 10 sekund, aby se vypnul (nebo zapnul) spotřebič.
- Bez ohledu na to zda je přístroj zamknut či odemknut, můžete ho vypnout tisknutím tlačítka zdroj (🔌) po 10 sekund.




Varování: Aby nedošlo k poškození kompresoru, prosím, nezapínejte znovu spotřebič do **5 minut od vypnutí**.

## ODBLOKOVÁNÍ OVLÁDACÍHO PANELU

- K odemknutí ovládacího panelu, stiskněte současně tlačítka Světlo a Zdroj  , použijte 2 prsty současně a držte po dobu **3 sekund**. Při odemčení je slyšet bzučivý zvuk.
- Ovládací panel se automaticky uzamkne, bzučivý zvuk uslyšíte po 10 sekundách, bez stisknutí.
- Za situace uzamčeno, ovládací panel nemůže reagovat na žádné tlačítko ani osvětlení ZAP / VYP, ani nastavení teploty.

## OVLÁDÁNÍ VNITŘNÍHO OSVĚTLENÍ ZAPNUTO/VYPNUTO

- Za situace odemčeno, stiskněte tlačítko Světlo  pro zapnutí (nebo vypnutí) vnitřního studeného LED osvětlení.
- Osvětlení zůstane zapnuto, dokud není manuálně vypnuto.

## OKNO PRO ZOBRAZENÍ TEPLOTY




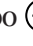


- Teplota je zobrazena v digitální podobě, což je nejlepší způsob pro přečtení. Při nastavování teploty se nejprve ukáže nastavovaná teplota a ta bude změněna na vnitřní teplotu po **10 sekundách** bez jakéhokoliv dotyku.
- Pokud teplotní sonda nebude v pořádku, na displeji se ukáže “HH” nebo “LL” místo digitálních číslic a bude slyšet bzučící zvuk. V případě, že k tomu dojde, toto zařízení je ohleduplně navrženo, aby zajistilo periodický chod kompresoru a ventilátoru, který pomáhá udržet chlad uvnitř a tím ochránit uskladňovaná vína.










**Varování:** Aby se zabránilo zničení uskladněného vína, důrazně se doporučuje nechat při stroj okamžitě opravit, protože při náhradním periodickém chodu nelze zajistit, že spotřebič dosáhne nastavené teploty.

## NASTAVENÍ TEPLOTY

### Jednozónové

- Rozsah nastavované teploty je 5-22 °C (41-72 °F).
- Stiskněte přímo  nebo  tlačítko k nastavení jakékoliv teploty.
- První dotknutí na  nebo  tlačítko ukáže nastavení předešlé teploty.
- Stiskněte tlačítko  na zvýšení nastavené teploty o 1 °C (nebo 1 °F). Naopak, stiskněte tlačítko  snížení nastavené teploty o 1 °C (nebo 1 °F).
- Po **10 sekundách** bez jakéhokoliv dotyku se ukáže skutečná teplota uvnitř vinotéky.

## Dvouzónové


- Rozsah nastavené teploty je od 5-12 °C (41-54 °F) pro vrchní zónu a 12-22 °C (54-72 °F) pro spodní zónu.
- Musíte zvolit nastavení zóny stisknutím tlačítka  ještě předtím, než stisknete tlačítko  nebo , abyste nastavili požadovanou teplotu. Teplota zóny bude blikat, pokud je připravena na nastavení.
- První dotknutí na  nebo  tlačítko ukáže na displeji nastavení předešlé teploty
- Stiskněte tlačítko  na zvýšení nastavené teploty o 1 °C (nebo 1 °F). Naopak, stiskněte tlačítko  snížení nastavené teploty o 1 °C (nebo 1 °F).
- Po 10 sekundách bez jakéhokoliv dotyku se ukáže skutečná teplota uvnitř vinotéky.

### Poznámka:

Při prvním použití spotřebiče nebo při opětovném zapnutí, po delším nepoužívání, může se objevit několika stupňová odchylka mezi nastavenou teplotou a zobrazenou teplotou. Po několika hodinách bude vše v pořádku.

## VÝBĚR ZOBRAZENÍ FAHRENHEIT(°F) & STUPNĚ CELSIA (°C)

### Jednozónová

Stiskněte současně tlačítka  , použijte 2 prsty současně a držte po dobu 5 sekund, tak můžete změnit stupně Fahrenheita za stupně Celsia na displeji.

### Dvouzónová

Přímo stiskněte toto tlačítko , tak můžete změnit stupně Fahrenheita za stupně Celsia na displeji současně pro obě zóny.

# PÉČE A ÚDRŽBA

## ČIŠTĚNÍ VINOTÉKY

- Vypněte zdroj elektřiny, odpojte zařízení, a odstraňte všechny předměty včetně polic.
- Otřete vnitřní povrchy hubkou s roztokem jedlé sody. Roztok by měl obsahovat asi 2 lžíce jedlé sody na 1 litr (cca 1 litr) teplé vody.
- Omyjte police ve slabém roztoku čisticího prostředku. Nechejte dřevěné police zaschnout před vložením zpět do vinotéky.
- Použijte vyždímanou hubku nebo hadřík při čištění prostoru ovládacích prvků, nebo jakékoliv elektrické součásti.
- Otřete vnější skříň teplou vodou a jemným tekutým čisticím prostředkem. Nakonec otřete do sucha čistým měkkým hadříkem.
- Nepoužívejte drátěnku ani ocelový kartáč na nerez ocel. Ty můžou způsobit poškrábání nerez a zapříčinit rezivění.

## VÝPADEK ELEKTŘINY

Většina výpadků proudu je opravena během několika hodin a neměla by mít vliv na teplotu vašeho přístroje, pokud se minimalizuje četnost otvírání dveří. Pokud energie bude přerušena na delší dobu, musíte podniknout správná opatření pro ochranu vašeho vína.

## PŘEMÍSTNĚNÍ VINOTÉKY

- Odstraňte všechny předměty.
- Bezpečně přelepte páskou všechny volně vložené předměty (polic) uvnitř vašeho spotřebiče.
- Dotáhněte nastavitelnou vyrovnávací nožku až k základně, aby nedošlo k poškození.
- Zajistěte páskou zavřené dveře.
- Ujistěte se, že spotřebič zůstane v bezpečné vzpřímené poloze během přepravy. Také ochraňte vnější část zařízení například dekou nebo něčím obdobným.

## TIPY K ÚSPORĚ ENERGIE

- Spotřebič by měl být umístěn daleko od zařízení sálající teplo a mimo dosah přímého slunečního záření.
- Ujistěte se, že jednotka je dostatečně odvětrávaná. Nikdy nezakrývejte větrací otvory.
- Otvírejte dveře jen v případě potřeby. Nenechávejte dveře otevřené po dlouhou dobu nebo často neotvírejte / zavírejte dveře.

# ŘEŠENÍ PROBLÉMŮ

Pokud si myslíte, že spotřebič nepracuje pořádně, postupujte podle následujících pokynů, abyste zjistili, zda můžete vyřešit problém jednoduše sami předtím, než zavoláte servis.

Číslo	PROBLÉM	PŘÍČINA MOŽNÉHO PROBLÉMU
1	Vinotéka nefunguje	Není připojena ke zdroji. Spotřebič je vypnutý. Jistič vypnut nebo je spálená pojistka.
2	Teplota uvnitř vinotéky není do statečně nízká	Zkontrolujte nastavení teploty. Vnější prostředí může vyžadovat vyšší nastavení. Dveře jsou často otevřeny. Dveře nejsou zcela dovřené. Těsnění dveří netěsní správně.
3	Časté automatické zapnutí a vypnutí	Pokojová teplota je vyšší než normální. Vinotéka obsahuje příliš mnoho láhví. Dveře jsou otevřeny příliš často. Dveře nejsou zcela dovřené. Regulace teploty není správně nastavena. Těsnění dveří netěsní správně.
4	Nesvítí světlo	Není připojena ke zdroji. Jistič vypnut nebo je spálená pojistka. Světlo je vypnuté.
5	Příliš vibruje	Ujistěte se, že přístroj stojí rovně. Ujistěte se, že žádné části uvnitř zařízení a ani v kompresoru nejsou uvolněné.
6	Vinotéka je příliš hlučná	Hrčivý zvuk může pocházet z toku chladiva, což je normální. Když cyklus skončí, můžete slyšet bublavý zvuk způsobený prouděním chladiva. Smršťování a roztahování vnitřních stěn může způsobit hluk jakoby praskání. Zařízení není vyrovnané.
7	Dveře nezavírají dobře.	Zařízení není ve vyrovnané poloze. Bylo změněno a nesprávně nainstalováno zavírání dveří. Těsnění je špinavé. Police nejsou ve správné pozici.
8	Na displeji se ukazuje “HH” nebo “LL” místo digitálních číslic za stálého bzučícího zvuku.	Teplotní sonda nefunguje.

# OBRÁCENÍ OTVÍRÁNÍ DVEŘÍ

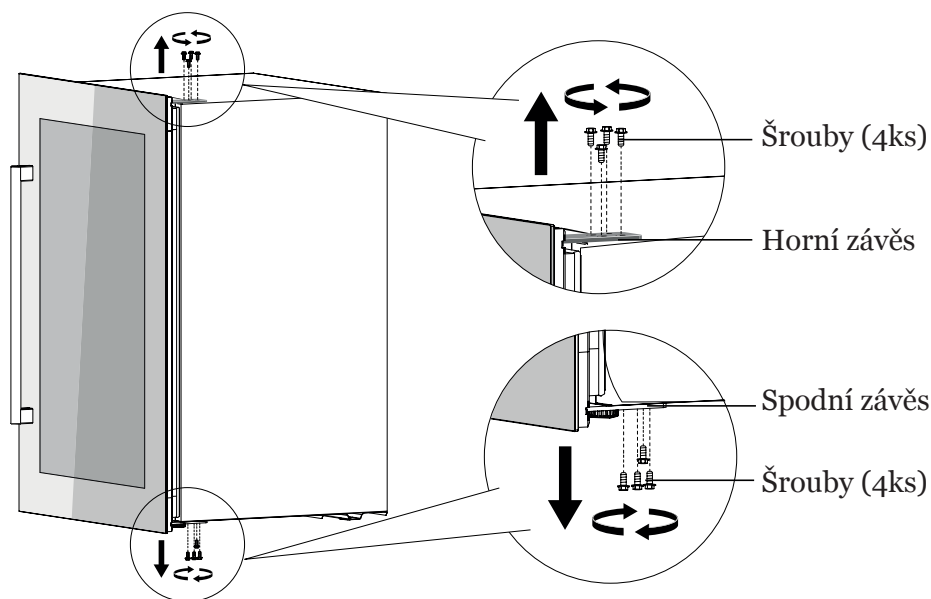
Poznámka:

Obrátit otvírání dveří NENÍ možné u zařízení s Ovládacím panelem na dveřích.

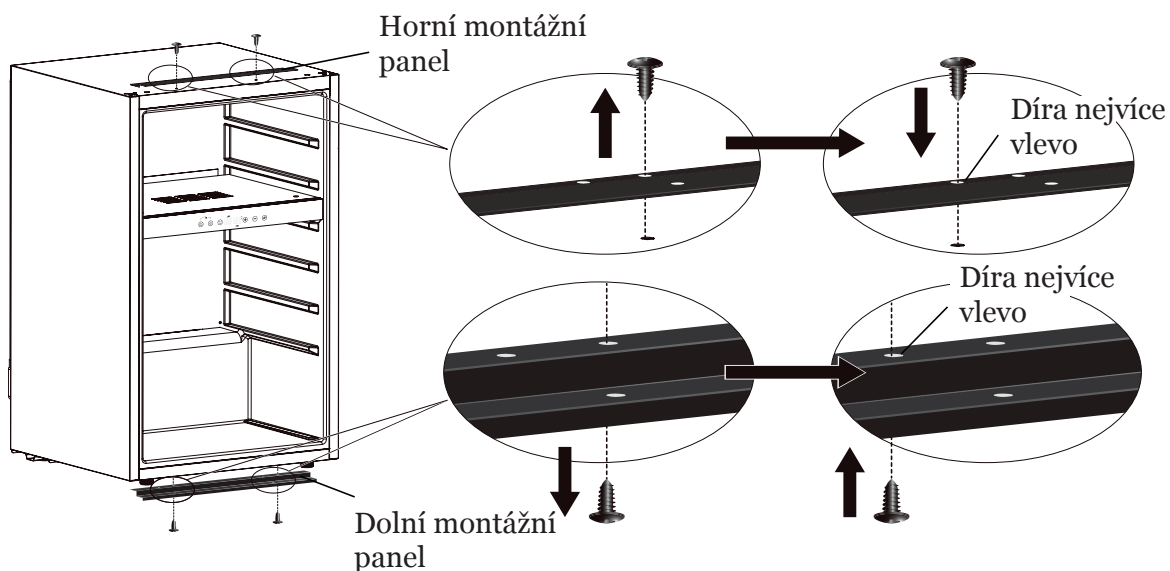
**Poznámky:**

- Tyto pokyny jsou pro zařízení s již nainstalovanými pravými dveřními závěsy.
- Všechny odinstalované části musí být pečlivě uschovány pro případ opětovného přeinstalování dveří.

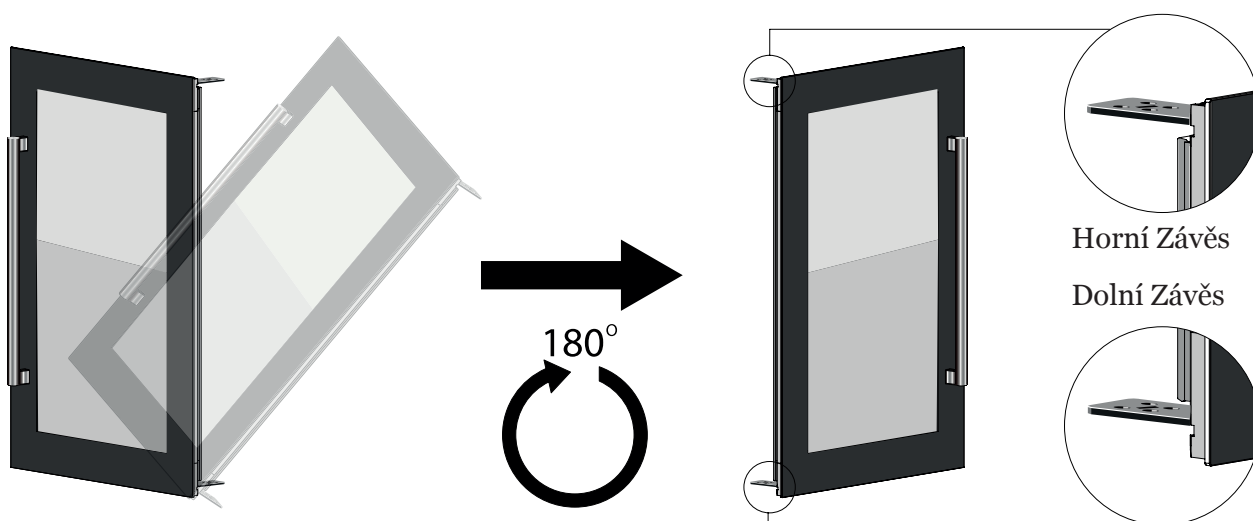
**1. KROK** – Odšroubujte 8 šroubů z Horního závěsu a Spodního závěsu jeden po druhém;



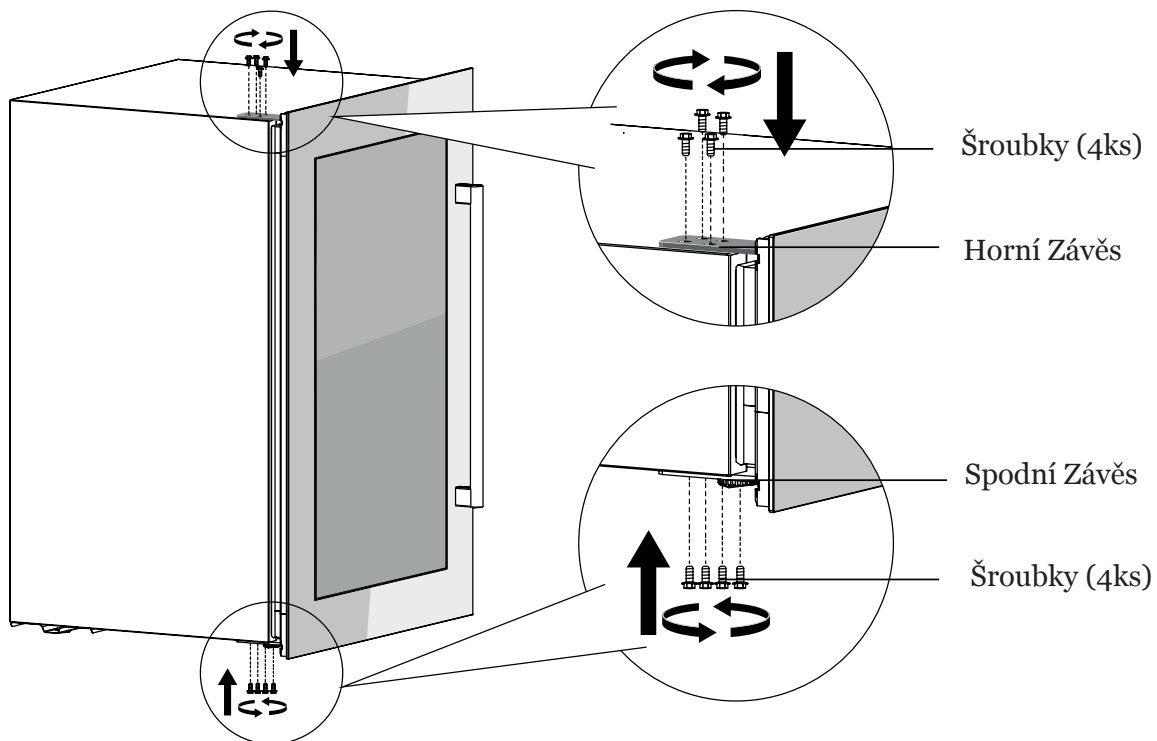
**2. KROK** – Odšroubujte Horní montážní panel a Spodní montážní panel, odstraňte oba panely z levé strany k pravé hraně zařízení. Přišroubujte oba panely do díry nejvíce vlevo.



**3. KROK** – Otočte dvířka o 180° (vzhůru nohama);



**4. KROK** – Přišroubujte pevně 8 šroubů Horního Závěsu a Spodního Závěsu jeden po druhém;





# ZÁZNAM O OPRAVĚ

Datum	Popis závady	Lokalita servisního centra	Servisní centrum	Opravit	Podpis

# ZÁRUČNÍ LIST

Prosím vyplňte všechny položky formuláře. V případě zfalšování nebo změn údajů nebude poprodejní servis poskytnut. Tato strana musí být vyplněna poskytovatelem služby a z důvodu platnosti musí být vybavena schvalovacím razítkem.

Model		
Informace o uživateli		
Informace o nákupu		
Jméno		
Firma		
Adresa		
Jméno dodavatele		
Adresa dodavatele		
Provozovatel		Telefonní číslo
Email	Telefonní číslo	Datum nákupu



Better Trading, spol. s.r.o.  
Dobrovského 29, Brno 612 00  
Sklad: Dornych 102, Brno 602 00  
Tel: +420 541 241 636  
Obchod: +420 734 797 567  
Servis: +420 733 787 733  
Email: [info@humibox.cz](mailto:info@humibox.cz)  
[www.humibox.cz](http://www.humibox.cz)



# VÍNOTÉKA S KOMPRESOROM

## NÁVOD NA POUŽITIE

### BU - 24 IN

### BU - 41 IN

Tento návod na použitie obsahuje dôležité informácie vrátane bezpečnostných a inštalačných pokynov. Prosím, starostlivo si ho naštudujte pred prvým použitím a dodržujte všetky bezpečnostné a informačné inštrukcie. Odporúča sa uschovať si túto príručku kvôli možnosti neskoršieho použitia.





- Prosím, pred prvým použitím odstráňte z povrchu výrobku všetky obaly, nálepky a povlaky a utrite povrch výrobku vlhkou handričkou a jemným čistiacim prostriedkom.
- Nechajte spotrebič postavený vzpriamene približne 24 hodín pred zapojením do elektriny, čo umožní znížiť možnosť poruchy chladiaceho systému z manipulácie počas prepravy.

## **DÔLEŽITÉ BEZPEČNOSTNÉ UPOZORNENIA**

Pred použitím spotrebiča dbajte na správne umiestnenie a inštalujte ho tak, ako je popísané v návode. Aby sa predišlo riziku požiaru, zraneniu elektrickým prúdom, alebo zraneniu pri použití spotrebiča, dodržujte nasledujúce bezpečnostné opatrenia:

- Toto zariadenie je určené iba na domáce použitie a je určené výhradne na uskladnenie zatvorených fliaš vína a nápojov.
- Tento spotrebič musí byť umiestnený tak, aby bola elektrická zásuvka prístupná.
- Uistite sa, že napätie (je vyznačené na štítku) súhlasí s vaším zdrojom napätia. Zapojte do uzemnenej 3-kolíkovej zásuvky, neodstraňujte uzemňovacie poistky, nepoužívajte adaptér, ani nepoužívajte predlžovací kábel.
- Nezapájajte alebo neodpájajte elektrickú zástrčku mokrými rukami.
- Pre odpojenie spotrebiča uchopte zástrčku a vytiahnite ju zo zásuvky v stene. Nikdy neťahajte za kábel.
- Odporúča sa mať samostatný okruh, slúžiaci len stanovenému zariadeniu.
- Vytiahnite zariadenie zo zásuvky alebo odpojte od zdroja pred čistením, údržbou alebo vykonávaním servisu. Pokiaľ tak neurobíte, môže dôjsť k úrazu elektrickým prúdom alebo k usmrteniu.
- Ak je zdrojový kábel poškodený, kvôli možnému riziku musí byť vymenený výrobcom alebo autorizovanou servisnou firmou alebo obdobne kvalifikovanou osobou.
- Poistka (alebo fázový istič) by mala mať hodnotu 10 ampérov alebo vyššiu.
- Spotrebič môže byť používaný deťmi od 8 rokov a osobami s obmedzenými fyzickými, zmyslovými alebo duševnými schopnosťami alebo osobami s nedostatočnými skúsenosťami či znalosťami, iba ak majú nad sebou priamy dozor, alebo pokiaľ boli zoznámené s bezpečným používaním vínotéky a chápu možné riziká. Deti nesmú používať toto zariadenie ako hračku. Čistenie a údržba nesmie byť vykonávaná deťmi bez dohľadu dospelých.
- Vínotéka nie je určená na to, aby ju používali osoby s obmedzenými fyzickými alebo duševnými schopnosťami (vrátane detí) alebo osobami s nedostatočnými skúsenosťami či znalosťami, pokiaľ také osoby nemajú nad sebou priamy dozor alebo pokiaľ neboli zoznámené s používaním vínotéky osobou, plne zodpovednou za

- Uistite sa, že je zariadenie riadne odvetrávané, predný diel nesmie byť zatarasený. Spotrebič umiestnite mimo priameho kontaktu so slnkom a zdrojmi tepla (sporák, ohrievač, radiátor, atď.).
- Nepokúšajte sa opraviť či vymeniť akúkoľvek časť spotrebiča, pokiaľ to nie je presne napísané v návode. Akýkoľvek iný servis by mal byť vykonávaný kvalifikovaným technikom.
- Zaisťte dostatočne, aby ľudia, ktorí inštalujú spotrebič, mali dostatok priestoru, aby sa predišlo poškodeniu zariadenia alebo zraneniu ľudí.
- Pre riadne fungovanie tohto zariadenia je dôležité, aby stálo rovno. Na nastavenie je možné použiť nastaviteľnú vyrovnávaciu nožičku.
- Nikdy nečistite žiadnu časť tohto zariadenia s horľavými tekutinami, ktoré môžu spôsobiť riziko požiaru a explózie. Nemajte uskladnený alebo nepoužívajte v blízkosti benzín alebo iné zápalné pary a tekutiny.
- Nepoužívajte žiadne rozpúšťadlá na báze brúsnych čistiacich prostriedkov na interiér. Tieto čistiace prostriedky môžu poškodiť alebo spôsobiť vyblednutie interiéru.
- Nepoužívajte tento prístroj na iný ako stanovený účel.
- Do vlnotéky neumiestňujte žiadne iné zariadenia.
- Použitie príslušenstva, ktoré nie je odporúčané výrobcom, môže byť nebezpečné.
- Pred likvidáciou umiestnite tento prístroj mimo dosahu ohňa a podobne horúcich látok.
- GWP (Potenciál globálneho otepľovania): R600a = 3
- Pri likvidácii spotrebiča zložte dvierka a nechajte police vnútri vlnotéky, aby deti nemohli ľahko vliezť dovnútra. A uistite sa, že okruh chladiaceho média, obzvlášť tepelný výmenník na zadnej/spodnej strane prístroja, nie je poškodený.



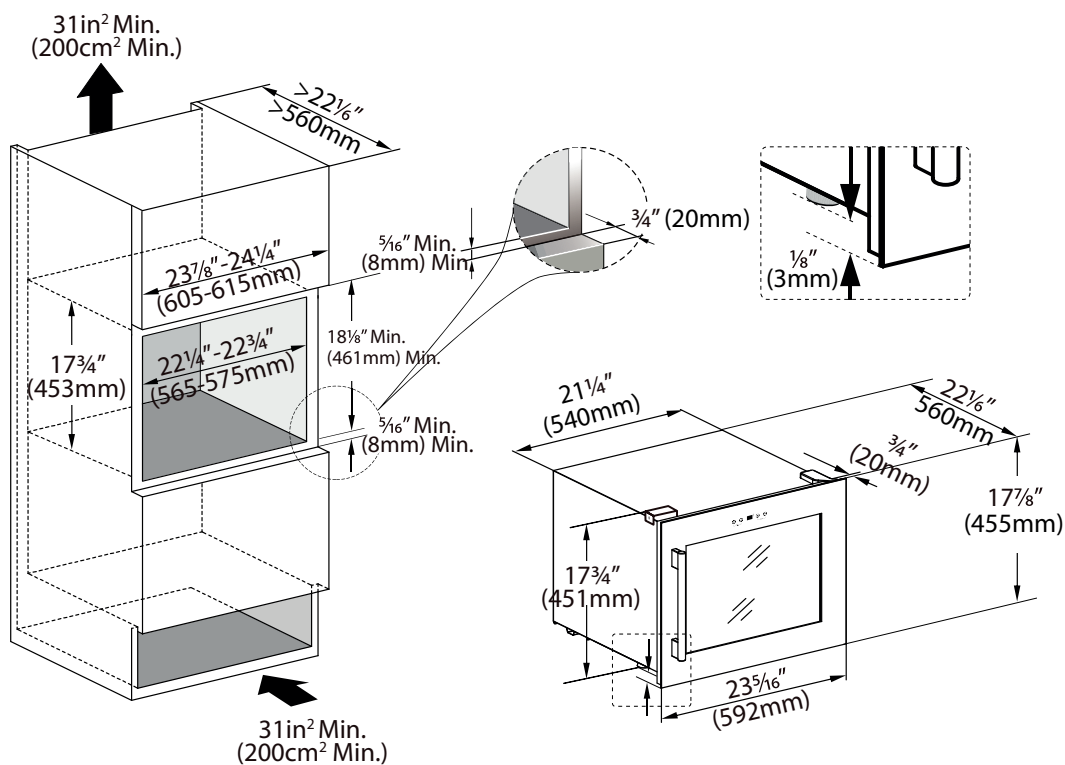
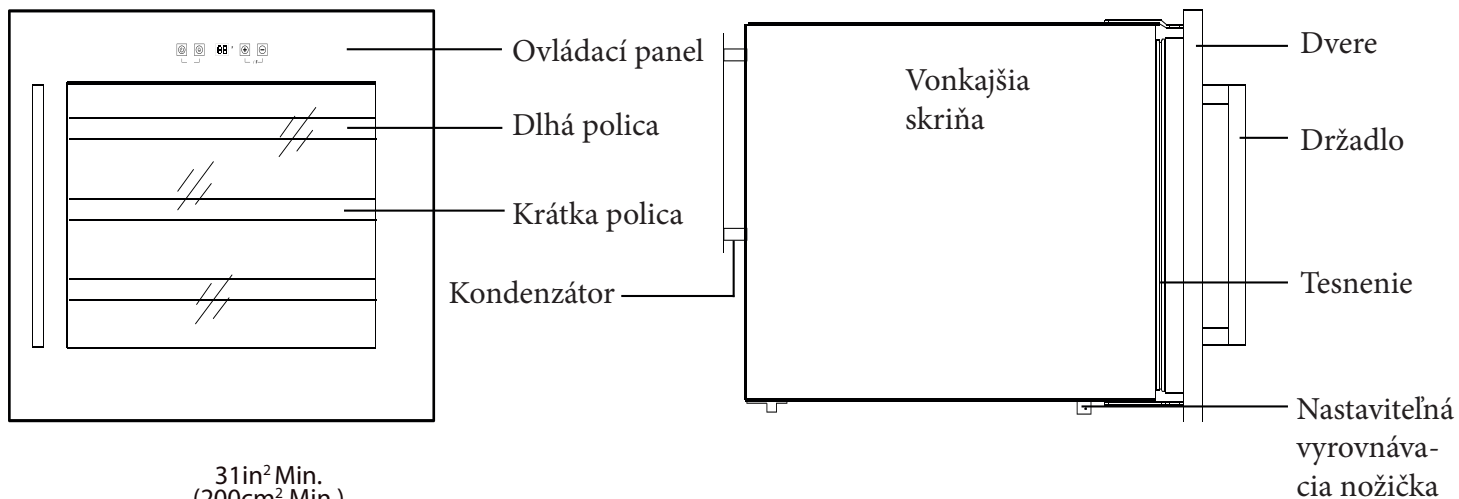
- Symbol pre recykláciu na výrobku alebo na obale označuje, že tento výrobok nie je braný ako bežný domáci odpad a musí byť odvezený do recyklačnej zberne pre elektrické a elektronické zariadenia.



# POPIS ZARIADENIA A INŠTALÁCIA

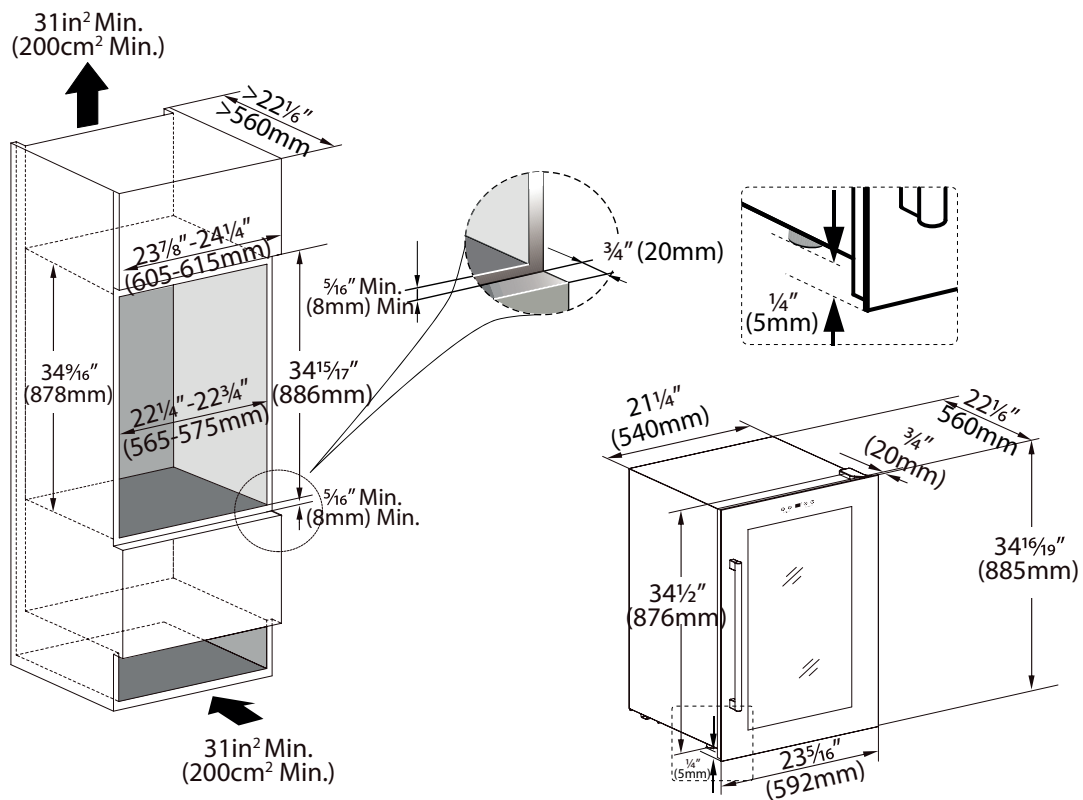
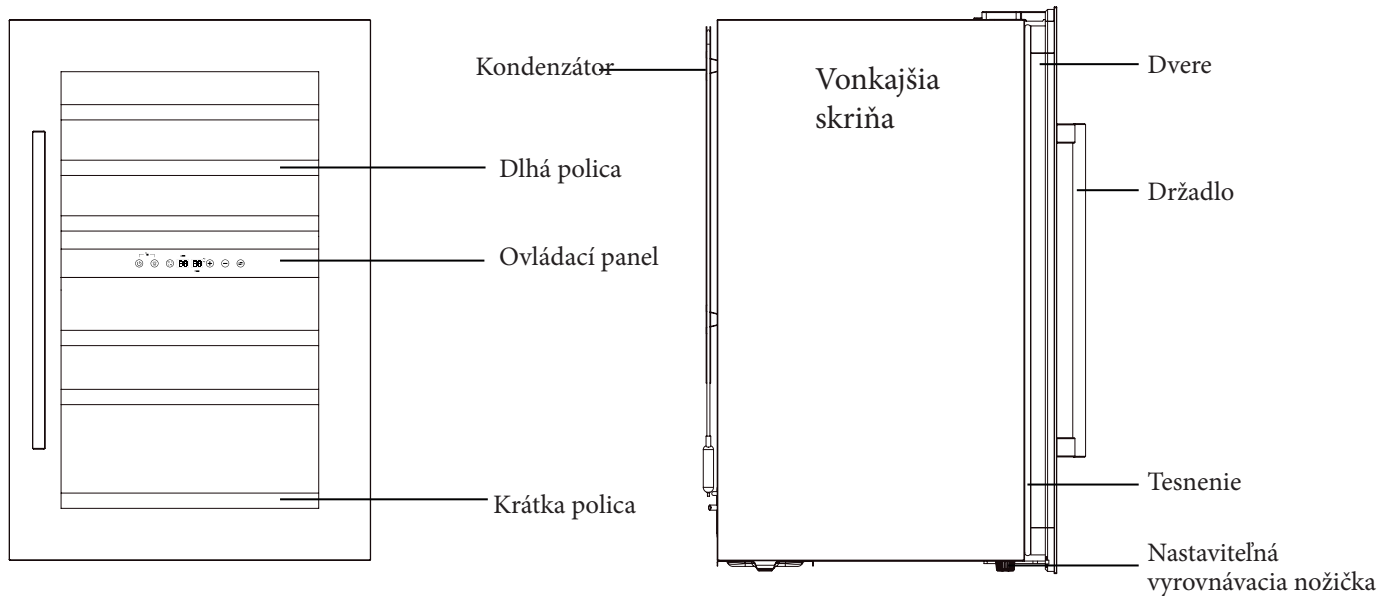
Nasledujúce obrázky ukazujú iba popis zariadenia. Rozmer a množstvo políc sa môžu líšiť medzi modelmi rovnakého radu.

## BU - 24 IN Jednozónová 24 fliaš

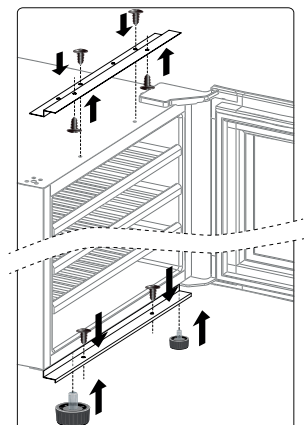


BU - 41 IN

## Dvojjónová 41 fliaš



1. Pred vložením spotrebiča do kuchynskej skrinky, prosím, odskrutkujte 4 pôvodné vyrovnávací nožičky (biele), a priskrutkujte 2 krátke vyrovnávací nožičky (čierne), ktoré sú pribalené ako príslušenstvo, v spodnej časti prístroja.
2. Dotiahnite 2 skrutky na upevnenie spodného montážneho panela (ktorý bol pripravený k spodnej strane prístroja) ku kuchynskej skrinke.
3. Pre riadne upevnenie spotrebiča môžete navyše inštalovať horný montážny panel (čo je príslušenstvo zabalené so spotrebičom) k vrchnej strane zariadenia a priskrutkovať ho ku kuchynskej skrinke. Pozrite sa na obrázok vpravo.



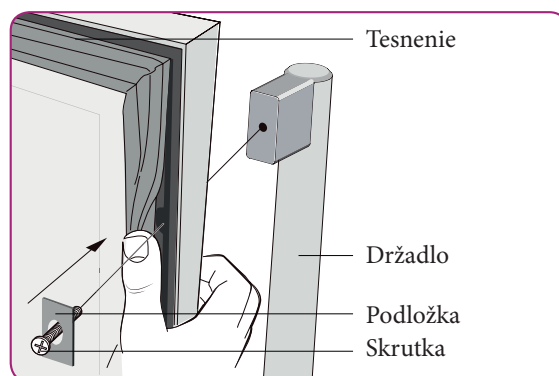


# INŠTALÁCIA PRÍSLUŠENSTVA PRED UVEDENÍM DO PREVÁDZKY

## • ROZBALENIE A ČISTENIE VÍNOTÉKY

- Odstráňte vonkajšie a vnútorné obalové materiály.
- Nechajte spotrebič stáť v správnej pozícii približne 24 hodín pred pripojením k zdroju elektriny, čo umožní znížiť možnosť poruchy chladiaceho systému z manipulácie počas prepravy.
- Na čistenie vnútornej časti používajte vlažnú vodu a mäkkú handričku.
- Nainštalujte držadlo dodané k výrobku podľa nasledujúcich krokov:

- 1. KROK** - Jemne odtiahnite tesnenie dverí nabok a objavíte 2 otvory určené na inštaláciu.
- 2. KROK** - Nainštalujte rukoväť pevne, tak ako je ukázané, s dvoma skrutkami s vopred pripravenými podložkami.
- 3. KROK** - Znovu nainštalujte tesnenie.



## ZAMKNUTIE A ODOMKNUTIE DVERÍ (MOŽNOSŤ VOLBY)

- Uzamknutie je nastaviteľná funkcia. Ak má vaša vínotéka takú funkciu, kľúč by mal byť pripevnený ako súčasť návodu na použitie.
- Vložte kľúč do zámku a otočte ním proti smeru hodinových ručičiek, aby sa dvere odomkli. Ak chcete zamknúť, prosím, otočte v smere hodinových ručičiek. Kľúč starostlivo uschovajte.

## OVLÁDANIE VÍNOTÉKY

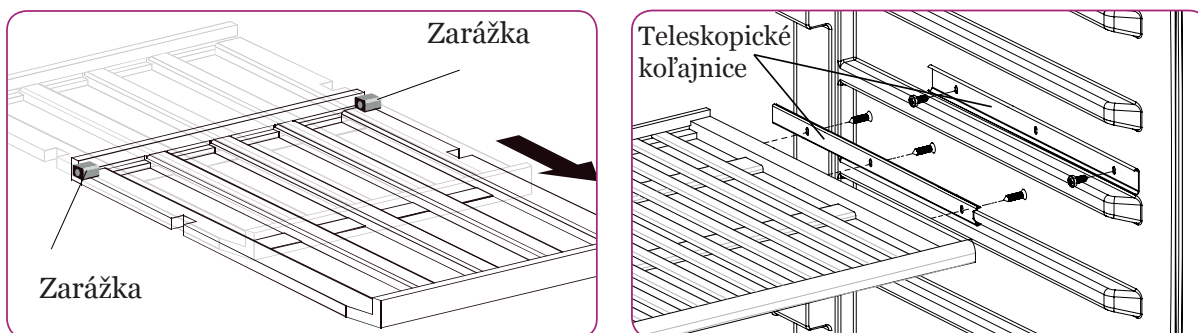
### • PRACOVNÉ PROSTREDIE

- Prístroj je určený na prevádzku od SN do N klímy (pozrite nižšie tabuľku klimatických tried). Je odporúčané udržiavať okolitú teplotu okolo 22 – 25 °C , tá pomáha k fungovaniu prístroja s nízkou spotrebou.
- Ak je okolitá teplota nad alebo pod navrhnutým rozsahom klímy, môže byť ovplyvnený výkon jednotky. Napríklad, zariadenie pracujúce v extrémne chladných alebo horúcich podmienkach, môže spôsobiť kolísanie vnútornej teploty, a nastavenie teploty 5 – 22 °C nemusí byť dosiahnuteľné.

Klimatické triedy	Okolité teplota
SN	10 - 32 °C (50°F-90°F)
N	16 - 32 °C (61°F-90°F)
ST	18 - 38 °C (64°F-100°F)
T	18 - 43 °C (64°F-109°F)

## • SKLADOVANIE VÍNA

- Štandardné police sú určené presne na skladovanie fliaš Bordeaux. Maximálny počet vložených fliaš sa môže líšiť v závislosti od rozdielnej veľkosti alebo rozmerov fliaš vína, ktoré ukladáte.
- Police je možné vysunúť približne o 1/3 pre ľahký prístup do vínného skladu. Vysúvacie police sú vo dvoch vzoroch.
  1. Police sú bez teleskopických koľajníc, ale s plastovou zarážkou na každej strane police, aby sa zabránilo pádu fľaše.
  2. Police s teleskopickými koľajnícami, ktoré zastavujú samé osebe.

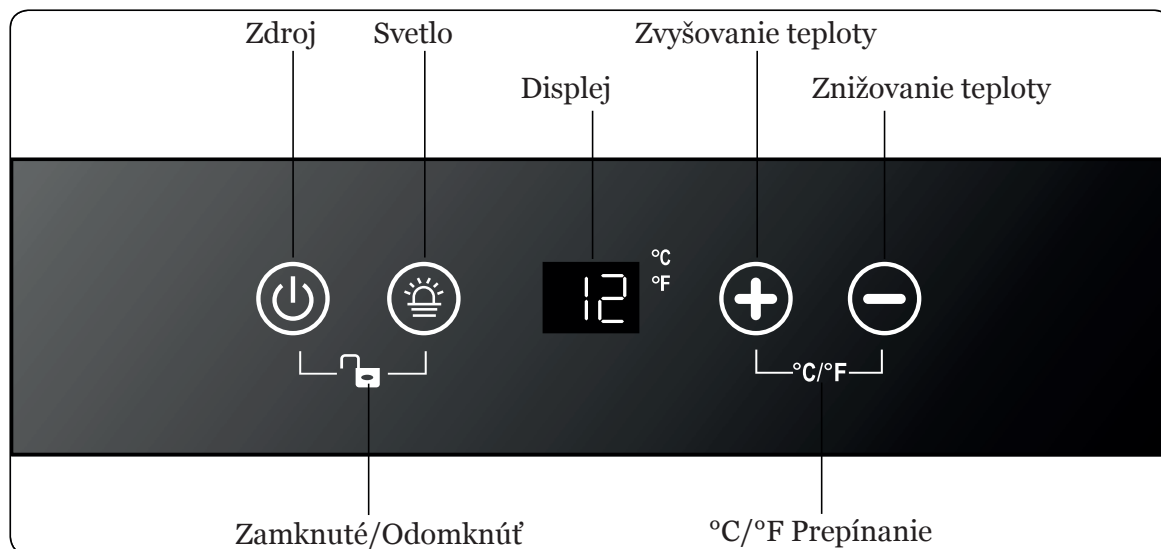


- Aby nedošlo k poškodeniu tesnenia dverí, uistite sa, že máte dvere celkom otvorené po celý čas vyťahovania police von.
- Prosím, ukladajte víno v uzatvorených fľašiach.
- Nezakrývajte police hliníkovou fóliou alebo iným materiálom, ktorý by mohol zabrániť cirkulácii vzduchu.
- V prípade, že bude vínotéka bude ponechaná prázdna na dlhší čas, odporúča sa, aby bol spotrebič odpojený. Po starostlivom čistení nechajte dvere pootvorené, aby vzduch mohol vnútri cirkulovať a predišlo sa tak nožnej kondenzácii, vzniku plesní alebo tvorbe zápachu.
- Odporúčané teploty na chladenie/ukladanie vína.

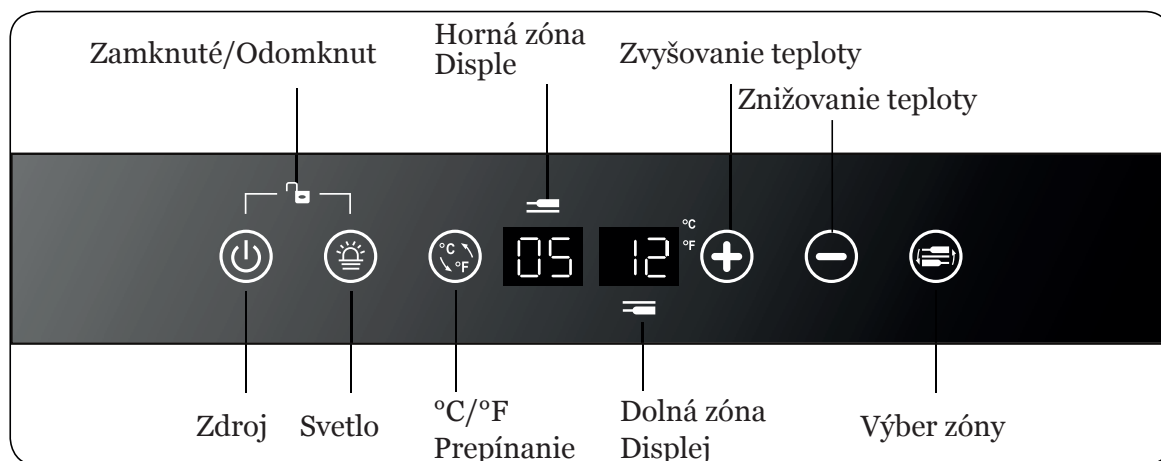
Druh vína	Odporúčaná teplota
Červené vína	15 - 18°C (59°F-64°F)
Suché/Biele vína	9 - 14°C (48°F-57°F)
Ružové vína	10 - 11°C (50°F-52°F)
Šumivé vína	5 - 8°C (41°F-46°F)

# OVLÁDACÍ PANEL

## Jednozónový



## Dvojjónový



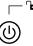

## OVLÁDANIE ZAPNUTÉ/VYPNUTÉ

- Keď je prístroj zapojený do elektrickej zásuvky, zapne sa automaticky.
- Stlačte tlačidlo zdroj ☼ asi na 10 sekúnd, aby sa spotrebič vypol (alebo zapol).
- Bez ohľadu na to, či je prístroj zamknutý alebo odomknutý, môžete ho vypnúť stlačením tlačidla zdroj ☼ počas 10 sekúnd.


Varovanie: Aby nedošlo k poškodeniu kompresora, prosím, nezapínajte znovu spotrebič **do 5 minút** od vypnutia.



## ODBLOKOVANIE OVLÁDACIEHO PANELU

- Na odomknutie ovládacieho panelu stlačte súčasne tlačidlá Svetlo a Zdroj   , použite 2 prsty súčasne a držte počas 3 sekúnd. Pri odomknutí je počuť bzučivý zvuk.
- Ovládací panel sa automaticky uzamkne, bzučivý zvuk začujete po 10 sekundách, bez stlačenia.
- V situácii, keď je uzamknuté, ovládací panel nemôže reagovať na žiadne tlačidlo ani osvetlenie ZAP/VYP, ani nastavenie teploty.

## OVLÁDANIE VNÚTORNÉHO OSVETLENIA ZAPNUTÉ/VYPNUTÉ

- V situácii, keď je odomknuté, stlačte tlačidlo Svetlo  pre zapnutie (alebo vypnutie) vnútorného studeného LED osvetlenia.
- Osvetlenie zostane zapnuté, kým nie je manuálne vypnuté.

## OKNO NA ZOBRAZENIE TEPLoty







- Teplota je zobrazená v digitálnej podobe, čo je najlepší spôsob na prečítanie. Pri nastavovaní teploty sa najprv ukáže nastavovaná teplota a tá bude zmenená na vnútornú teplotu po **10 sekundách** bez akéhokoľvek dotyku.
- Pokiaľ nebude teplotná sonda v poriadku, na displeji sa ukáže „HH“ alebo „LL“ miesto digitálnych číslíc a bude počuť bzučiaci zvuk. V prípade, že k tomu dôjde, je toto zariadenie ohľaduplne navrhnuté, aby zaistilo periodický chod kompresora a ventilátora, ktorý pomáha udržať chlad vnútri a tým ochrániť uskladňované vína.










**Varovanie:** Aby sa zabránilo zničeniu uskladneného vína, dôrazne sa odporúča nechať prístroj okamžite opraviť, pretože pri náhradnom periodickom chode nie je možné zaistiť, že spotrebič dosiahne nastavenú teplotu.

## NASTAVENIE TEPLoty

### Jednozónové

- Rozsah nastavovanej teploty je 5 – 22 °C (41 – 72 °F).
- Stlačte priamo  alebo  tlačidlo na nastavenie akejkoľvek teploty.
- Prvé dotknutie na  alebo  tlačidlo ukáže nastavenie predchádzajúcej teploty.
- Stlačte tlačidlo  na zvýšenie nastavenej teploty o 1 °C (alebo 1 °F). Naopak, stlačte tlačidlo  na zníženie nastavenej teploty o 1 °C (alebo 1 °F).
- Po 10 sekundách bez akéhokoľvek dotyku sa ukáže skutočná teplota vnútri vínotéky.

## Dvojzónová

- Rozsah nastavenej teploty je od 5 – 12 °C (41 – 54 °F) pre vrchnú zónu a 12 – 22 °C (54 – 72 °F) pre spodnú zónu.
- Musíte zvoliť nastavenie zóny stlačením tlačidla  ešte predtým, ako stlačíte tlačidlo  alebo , aby ste nastavili požadovanú teplotu. Teplota zóny bude blikať, pokiaľ je pripravená na nastavenie.
- Prvé dotknutie na  alebo  tlačidlo ukáže na displeji nastavenie predchádzajúcej teploty.
- Stlačte tlačidlo  na zvýšenie nastavenej teploty o 1 °C (alebo 1 °F). Naopak, stlačte tlačidlo  na zníženie nastavenej teploty o 1 °C (alebo 1 °F).
- Po 10 sekundách bez akéhokoľvek dotyku sa ukáže skutočná teplota vnútri vínotéky.

## Poznámka:


Pri prvom použití spotrebiča alebo pri opätovnom zapnutí, po dlhšom nepoužívaní, sa môže objaviť niekoľkostupňová odchýlka medzi nastavenou teplotou a zobrazenou teplotou. Po niekoľkých hodinách bude všetko v poriadku.

## VÝBER ZOBRAZENIA FAHRENHEIT (°F) A STUPNE CELZIA (°C)

### Jednozónová

Stlačte súčasne tlačidlá , použite 2 prsty súčasne a držte počas 5 sekúnd, tak môžete zmeniť stupne Fahrenheita za stupne Celzia na displeji.

### Dvojzónová

Priamo stlačte toto tlačidlo , tak môžete zmeniť stupne Fahrenheita za stupne Celzia na displeji súčasne pre obe zóny.

# STAROSTLIVOSŤ A ÚDRŽBA

## ČISTENIE VÍNOTÉKY

- Vypnite zdroj elektriny, odpojte zariadenie, a odstráňte všetky predmety vrátane políc.
- Utrite vnútorné povrchy hubkou s roztokom jedlej sódy. Roztok by mal obsahovať asi 2 lyžice jedlej sódy na 1 liter (cca 1 liter) teplej vody.
- Umyte police v slabom roztoku čistiaceho prostriedku. Nechajte drevené police zaschnúť pred vložením späť do vínotéky.
- Použite vyžmýkanú hubku alebo handričku pri čistení priestoru ovládacích prvkov, alebo akejkoľvek elektrickej súčasti.
- Utrite vonkajšiu skriňu teplou vodou a jemným tekutým čistiacim prostriedkom. Nakoniec utrite dosucha čistou mäkkou handričkou.
- Nepoužívajte drôtenku ani oceľovú kefu na nehrdzavejúcu oceľ. Tie môžu spôsobiť poškriabanie nehrdzavejúcej ocele a zapríčiniť hrdzavenie.

## VÝPADOK ELEKTRINY

Väčšina výpadkov prúdu je opravená do niekoľkých hodín a nemala by mať vplyv na teplotu vášho prístroja, pokiaľ sa minimalizuje početnosť otvárania dverí. Pokiaľ bude energia prerušená na dlhší čas, musíte podniknúť správne opatrenia na ochranu vášho vína.

## PREMIESTNENIE VÍNOTÉKY

- Odstráňte všetky predmety.
- Bezpečne prelepte páskou všetky voľne vložené predmety (police) vnútri vášho spotrebiča.
- Dotiahnite nastaviteľnú vyrovnávaciu nožičku až k základni, aby nedošlo k poškodeniu.
- Zaisťte páskou zatvorené dvere.
- Uistite sa, že spotrebič zostane v bezpečnej vzpriamenej polohe počas prepravy. Tiež ochráňte vonkajšiu časť zariadenia napríklad dekou alebo niečím obdobným.

## TIPY NA ÚSPORU ENERGIE

- Spotrebič by mal byť umiestnený ďaleko od zariadení sálajúcich teplo a mimo dosahu priameho slnečného žiarenia.
- Uistite sa, že je jednotka dostatočne odvetrávaná. Nikdy nezakrývajte vetracie otvory.
- Otvárajte dvere len v prípade potreby. Nenechávajte dvere otvorené dlhší čas alebo často neotvárajte/zatvárajte dvere.

# RIEŠENIE PROBLÉMOV

Pokiaľ si myslíte, že spotrebič nepracuje správne, postupujte podľa nasledujúcich pokynov, aby ste zistili, či môžete vyriešiť problém jednoducho sami predtým, ako zavoláte servis.

Číslo	PROBLÉM	PRÍČINA MOŽNÉHO PROBLÉMU
1	Vínotéka nefunguje	Nie je pripojená k zdroju. Spotrebič je vypnutý. Istič vypnutý alebo je spálená poistka.
2	Teplota vnútri vínotéky nie je do statočne nízka	Skontrolujte nastavenie teploty. Vonkajšie prostredie môže vyžadovať vyššie nastavenie. Dvere sú často otvorené. Dvere nie sú celkom dovreté. Tesnenie dverí netesní správne.
3	Časté automatické zapnutie a vypnutie	Izbová teplota je vyššia ako normálna. Vínotéka obsahuje príliš veľa fliaš. Dvere sú otvorené príliš často. Dvere nie sú celkom dovreté. Regulácia teploty nie je správne nastavená. Tesnenie dverí netesní správne.
4	Nesvieti svetlo	Nie je pripojená k zdroju. Istič je vypnutý alebo je spálená poistka. Svetlo je vypnuté.
5	Príliš vibruje	Uistite sa, že prístroj stojí rovno. Uistite sa, že žiadne časti vnútri zariadenia a ani v kompresore nie sú uvoľnené.
6	Vínotéka je príliš hlučná	Hrčivý zvuk môže pochádzať z toku chladiaceho média, čo je normálne. Keď cyklus skončí, môžete počuť bublavý zvuk spôsobený prúdením chladiaceho média. Zmršťovanie a rozťahovanie vnútorných stien môže spôsobiť hluk, akoby praskanie. Zariadenie nie je vyrovnané.
7	Dvere sa nezatvárajú dobre.	Zariadenie nie je vo vyrovnanej polohe. Bolo zmenené a nesprávne nainštalované zatváranie dverí. Tesnenie je špinavé. Police nie sú v správnej pozícii.
8	Na displeji sa ukazuje „HH“ alebo „LL“ miesto digitálnych číslíc za stáleho bzučiaceho zvuku.	Teplotná sonda nefunguje.

# OBRÁTENIE OTVÁRANIA DVERÍ

Poznámka:

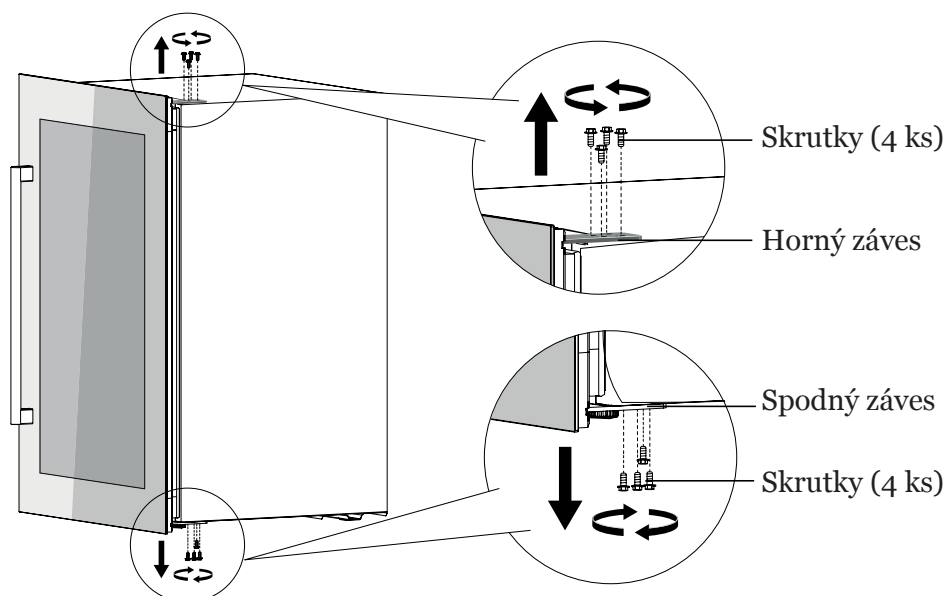
Obrátiť otváranie dverí NIE JE možné na zariadení s ovládacím panelom na dverách.

Iba na BU - 41 IN Ovládanie vnútri zariadenia

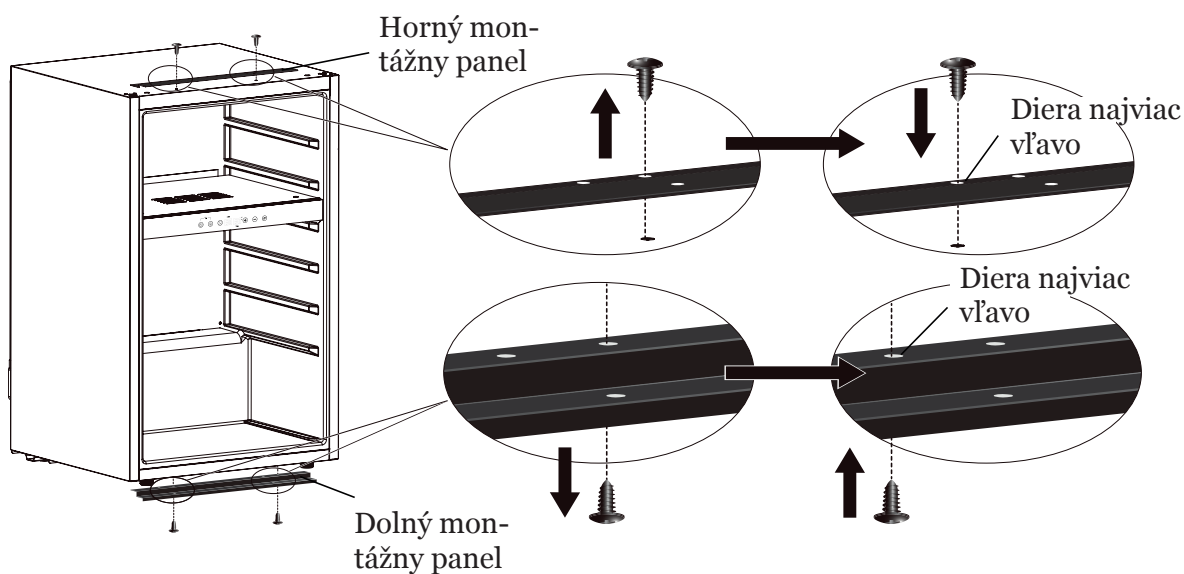
**Poznámky:**

- Tieto pokyny sú pre zariadenie s už nainštalovanými pravými dvernými závesmi.
- Všetky odinštalované časti musia byť starostlivo uschované pre prípad opätovného preinštalovania dverí.

**1. KROK** – Odskrutkujte 8 skrutiek z horného závesu a spodného závesu jeden po druhom;

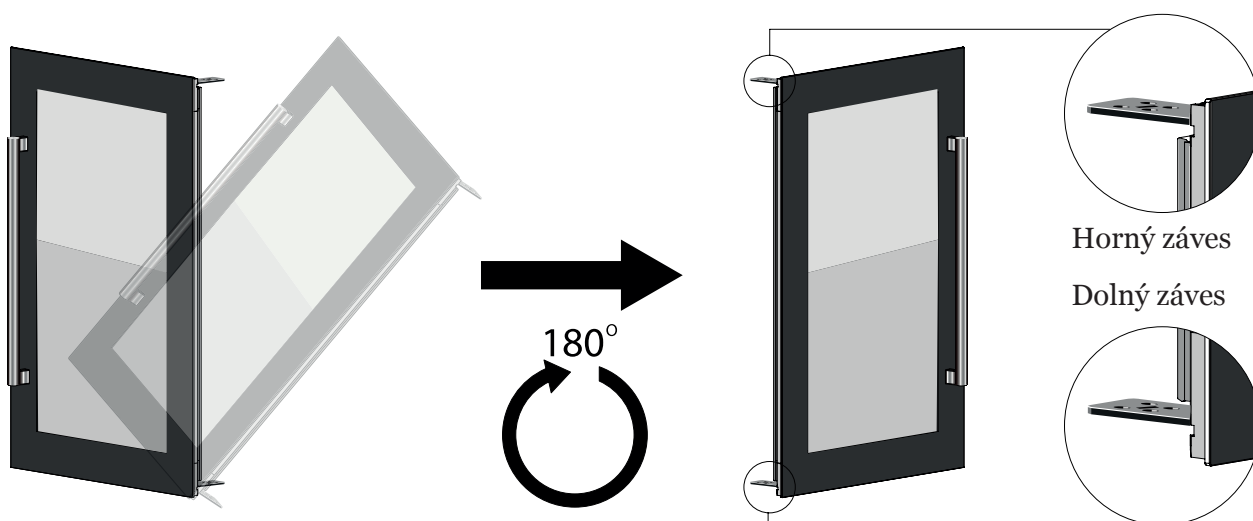


**2. KROK** – Odskrutkujte horný montážny panel a spodný montážny panel, obráťte oba panely z ľavej strany k pravej hrane zariadenia. Priskrutkujte oba panely do diery najviac vľavo.

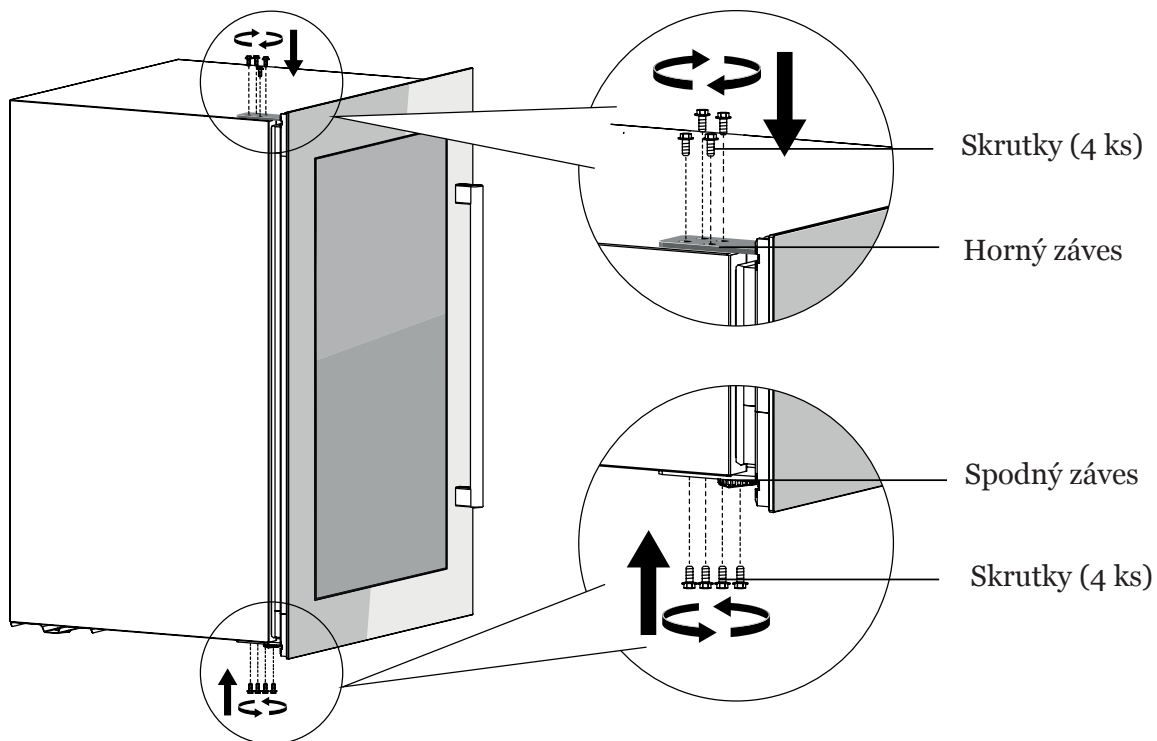




**3. KROK** – Otočte dvierka o 180° (hore nohami);



**4. KROK** – Priskrutkujte pevne 8 skrutiek horného závesu a spodného závesu jeden po druhom;



# ZÁZNAM O OPRAVE

Dátum	Popis chyby	Lokalita servisného centra	Servisné centrum	Opravil	Podpis

## ZÁRUČNÝ LIST

Prosím vyplňte všetky položky formulára. V prípade sfalšovania alebo zmien údajov nebude popredajný servis poskytnutý. Túto stranu musí vyplniť poskytovateľ služby a z dôvodu platnosti musí byť vybavená schvaľovacou pečiatkou.

Model	
Informácie o používateľovi	
Informácie o nákupe	
Meno	
Firma	
Adresa	
Meno dodávateľa	
Adresa dodávateľa	
Prevádzkovateľ	Telefónne číslo
Email	Telefónne číslo
	Dátum nákupu



Better Trading, spol. s.r.o.  
Dobrovského 29, Brno 612 00  
Sklad: Dornych 102, Brno 602 00  
Tel: +420 541 241 636  
Obchod: +420 734 797 567  
Servis: +420 733 787 733  
Email: [info@humibox.cz](mailto:info@humibox.cz)  
[www.humibox.cz](http://www.humibox.cz)



# CHŁODZIARKA SPREŻARKOWA DO WINA

## INSTRUKCJA OBSŁUGI

### BU - 24 IN

### BU - 41 IN

Niniejsza instrukcja obsługi zawiera ważne informacje, w tym informacje dotyczące bezpieczeństwa montażu i instalacji. Przed pierwszym użyciem należy dokładnie przeczytać instrukcję obsługi i przestrzegad wszystkich informacji i zaleceo dotyczących bezpieczeństwa. Zaleca się zachowanie niniejszej instrukcji do późniejszego wglądu.



# SPIS TREŚCI

IMPORTANT SAFETY INFORMATION.....	3
DESCRIPTION OF APPLIANCE AND INSTALLATION.....	5
BU - 24 IN 82cm.....	5
BU - 41 IN 82cm.....	6
ACCESSORY INSTALLATION BEFORE OPERATING.....	6
UNPACKING AND CLEANING THE WINE COOLER .....	6
LOCK & UNLOCK THE DOOR (FOR OPTION).....	6
OPERATING THE WINE COOLER.....	7
WORKING CLIMATE.....	7
WINE STORAGE.....	7
CONTROL PANEL.....	8
POWER ON/OFF CONTROL .....	8
UNLOCKING THE CONTROL PANEL.....	9
INTERIOR LIGHTING ON/OFF CONTROL.....	9
TEMPERATURE DISPLAY WINDOW .....	9
TEMPERATURE SETTING.....	9
SELECTING FAHRENHEIT(°F) & CELSIUS (°C) DISPLAY.....	10
CARE AND MAINTENANCE.....	11
CLEANING THE WINE COOLER.....	11
POWER FAILURE.....	11
MOVING THE WINE COOLER .....	11
ENERGY SAVING TIPS.....	11
TROUBLESHOOTING .....	12
MAINTENANCE RECORD and WARRANTY CARD.....	13

- Przed pierwszym użyciem należy usunąć z powierzchni urządzenia wszystkie opakowania, etykiety, powłoki i przetrzeć powierzchnię urządzenia wilgotną ściereczką z łagodnym detergentem.
- Pozostawid urządzenie w pozycji stojącej przez około 24 godziny przed podłączeniem do energii elektrycznej, co zmniejszy możliwość awarii systemu chłodzenia w czasie transportu.

## WAŻNE INFORMACJE BEZPIECZEOSTWA

Przed uruchomieniem urządzenia należy go prawidłowo umieścić i zainstalować w sposób opisany w instrukcji. Aby uniknąć ryzyka pożaru, obrażeń lub porażenia prądem elektrycznym lub obrażeń podczas korzystania z tego urządzenia, należy przestrzegać następujących zaleceń:

- Urządzenie jest przeznaczone wyłącznie do użytku domowego i jest przeznaczone wyłącznie do przechowywania zamkniętych butelek wina i napojów.
- Urządzenie musi być umieszczone w taki sposób, aby uzyskać dostęp do gniazdka elektrycznego.
- Upewnij się, że napięcie / oznaczone na etykiecie / zgadza się z Twoim źródłem napięcia. Podłącz do uziemionego 3 - pinowego gniazda, nie usuwaj uziemienia, nie należy używać zasilacza lub przedłużacza.
- Nie należy podłączać lub odłączać wtyczki mokrymi rękami.
- Aby odłączyć urządzenie, należy chwycić za wtyczkę i wyciągnąć ją z gniazdka sieciowego. Nigdy nie ciągnąć za przewód.
- Zaleca się, aby mieć oddzielny układ, tylko dla danego urządzenia.
- Odłączyć urządzenie od źródła zasilania przed czyszczeniem, konserwacją lub naprawą. Niezastosowanie się do tego zalecenia może spowodować porażenie prądem lub śmierć.
- Jeśli przewód zasilający jest uszkodzony, ze względu na potencjalne ryzyko musi być wymieniony przez producenta urządzenia, autoryzowany serwis lub osobę o podobnych kwalifikacjach.
- Bezpiecznik (lub wyłącznik fazowy) powinien mieć wartość 10 amper lub wyższą.
- Urządzenie może być używane przez dzieci w wieku od 8 lat i osoby o ograniczonej sprawności fizycznej, zdolności sensorycznej lub umysłowej, lub przez osoby niemające doświadczenia lub wiedzy, tylko wówczas, gdy mają one bezpośredni nadzór, lub jeśli były zaznajomione z zasadami bezpiecznego korzystania z chłodziarki i zrozumiały potencjalne ryzyko. Dzieci nie powinny używać tego urządzenia, jako zabawki. Czyszczenie i konserwacja nie może być wykonywana przez dzieci bez nadzoru dorosłych.
- Chłodziarka do wina nie jest przeznaczona do używania przez osoby niepełnosprawne fizycznie lub umysłowo (w tym dzieci) lub przez osoby z brakiem doświadczenia i wiedzy, i osoby, które nie są pod bezpośrednią kontrolą, lub jeśli nie są zaznajomione z używaniem chłodziarki do wina przez osobę w pełni odpowiedzialną za ich bezpieczeństwo. Dzieci powinny być nadzorowane, aby nie bawiły się urządzeniem.

- Należy upewnić się, że urządzenie jest właściwie wentylowane, przednia część nie może być zasłonięta. Umieścić urządzenie z dala od bezpośredniego kontaktu z promieniami słonecznymi i źródłem ciepła (grzejnik, kuchenka, kaloryfer itp.).
  - Nie należy próbować napraw lub wymienić części urządzenia, chyba, że jest to wyraźnie napisane w instrukcji. Wszelkie inne naprawy powinny być wykonywane przez wykwalifikowanego technika.
  - Zapewnij, aby osoby instalujące urządzenie, miały wystarczająco dużo miejsca do pracy, aby uniknąć uszkodzenia sprzętu lub zranienia osób.
  - Do prawidłowego działania urządzenia, ważne jest, aby stało na równej powierzchni. Do ustawiania można używać nóżki wyrównującej.
  - Nie wolno czyścić elementów urządzenia płynami, które mogą powodować ryzyko pożaru i wybuchu. Nie przechowywać ani nie używać w pobliżu urządzenia benzyny lub innych łatwopalnych oparów i cieczy.
  - Nie należy używać środków czyszczących na bazie rozpuszczalników do czyszczenia wnętrza. Te środki czyszczące mogą uszkodzić lub odbarwić wnętrze.
  - Nie używaj urządzenia do celów innych niż zgodnie z jego przeznaczeniem.
  - Nie należy umieszczać żadnych innych urządzeń do chłodziarki do wina.
  - Używanie akcesoriów niezalecanych przez producenta, może być niebezpieczne.
  - Przed likwidacją urządzenia należy je umieścić z dala od ognia i podobnych substancji promieniujących.
  - GWP (Współczynnik ocieplenia globalnego): R600a=3
- 
- Podczas utylizacji urządzenia, należy zdjąć drzwi i pozostawić wewnątrz półki, aby dzieci nie mogły łatwo wejść do środka oraz upewnić się, że nie jest uszkodzony układ chłodniczy, zwłaszcza wymiennik ciepła na tylnej / dolnej części urządzenia.

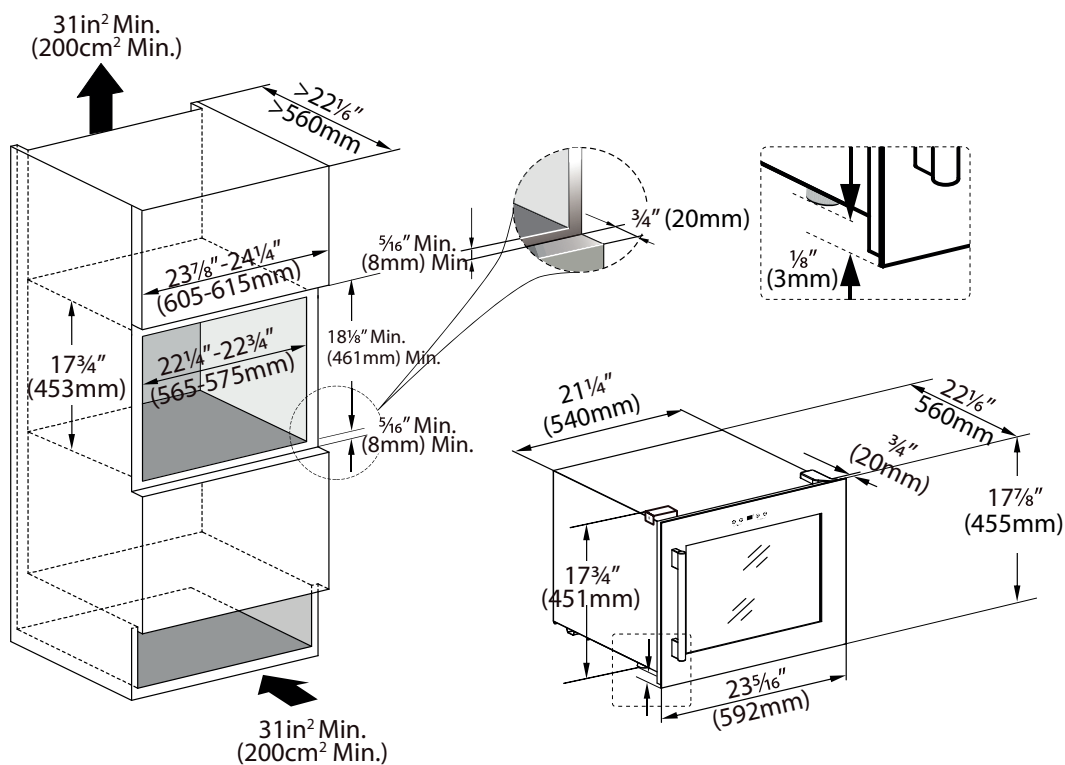
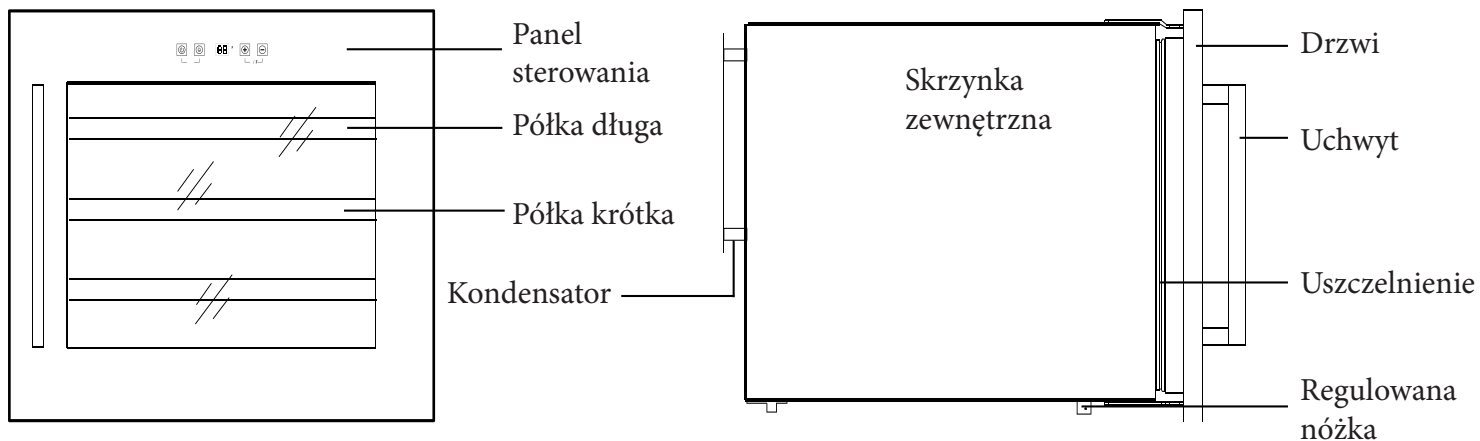


- Symbol recyklingu na produkcie lub jego opakowaniu oznacza, że produkt nie jest przeznaczony do śmieci domowych i musi być odwieziony do punktu zbiórki urządzeń elektrycznych i elektronicznych.

# OPIS I INSTALACJA

Poniższe zdjęcia pokazują tylko opis urządzenia. Rozmiary i liczba półek może różnić się w zależności od modelu tej samej serii.

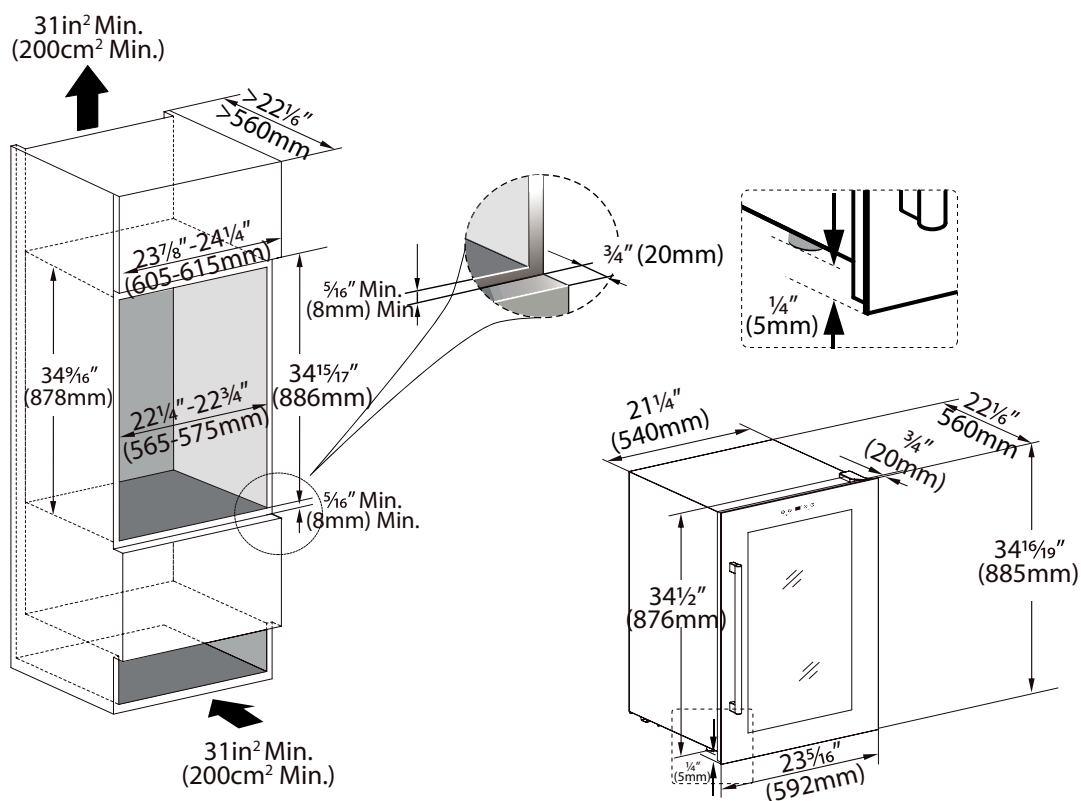
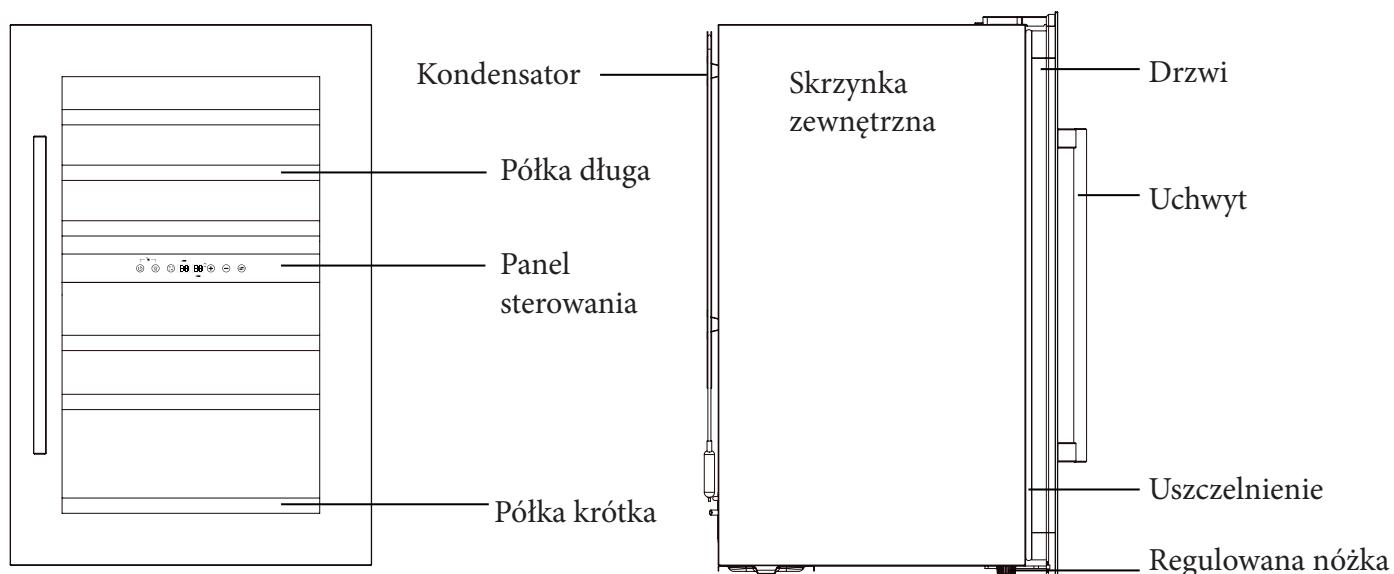
## BU - 24 IN Jedno-strefowa 24 butelek





BU - 41 IN

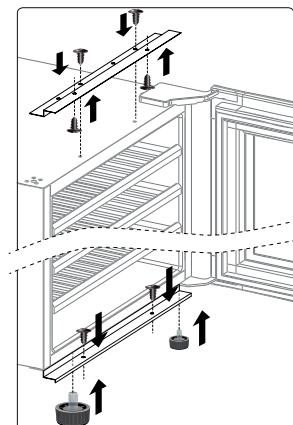
## Dwu-strefowa 41 butelek



1. Przed włożeniem urządzenia do skrzynki kuchennej, proszę odśrubować 4 nóżki regulujące (białe) i przyśrubować 2 krótkie nóżki regulujące (czarne), które są dołączone, jako akcesoria w dolnej części urządzenia.

2. Dokręć 2 śrubami mocującymi dolny panel montażowy, (który został przymocowany do spodniej strony urządzenia) do szafki kuchennej.

3. W celu prawidłowego zamocowania urządzenia można również zainstalować górny panel montażowy, (który stanowi wyposażenie zapakowane z urządzeniem) na górnej części urządzenia i przyśrubować do szafki kuchennej. Więcej zdjęcie po prawej stronie.



# INSTALACJA AKCESORIÓW PRZED WPROWADZENIEM DO UŻYTKOWANIA

## • WYPAKOWANIE I CZYSZCZENIE CHŁODZIARKI

- Usuo zewnętrzny i wewnętrzny materiał opakowaniowy.
- Urządzenie powinno stać w odpowiedniej pozycji przez około 24 godziny przed podłączeniem do zasilania, co zmniejszy możliwość awarii systemu chłodzenia w czasie transportu.
- Do czyszczenia wewnętrznych części używaj ciepłej wody i miękkiej ściereczki.
- Zamontowad uchwyt dostarczony z produktem wg następujących kroków:

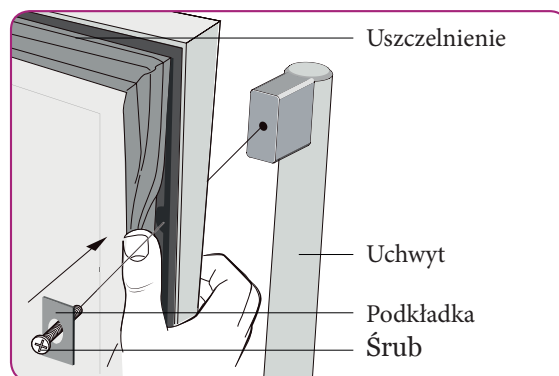
**1. KROK** - Delikatnie odciągnad uszczelnienie drzwi na bok, znajdując się tam 2 otwory przeznaczone do instalacji.

**2. KROK** - Zamontowad uchwyt, tak jak pokazano na rysunku, dwiema śrubami z wcześniej przygotowanymi podkładkami.

**3 KROK** - Zainstalowad uszczelkę.

### ZABLOKOWANIE & OTWARCIE DRZWI (MOŻLIWOŚĆ WYBORU)

- Funkcja blokady jest regulowana. Jeśli chłodziarka posiada taką funkcję, klucz powinien być dołączony, jako część instrukcji.
- Włóż klucz do zamka i obróć go w lewo, aby otworzyd drzwi. Aby zablokowad, należy skręćć w prawo. Klucz schowad starannie.



## STEROWANIE CHŁODZIARKI

### • ŚRODOWISKO ROBOCZE

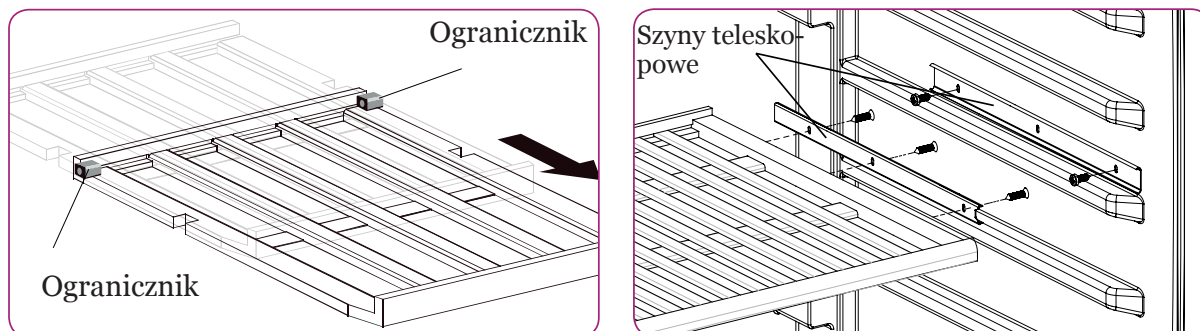
- Urządzenie jest przeznaczone do pracy w klimacie od SN do N (patrz poniższa tabela klas klimatycznych). Zaleca się, aby utrzymad temperaturę otoczenia wynoszącą około 22-25 ° C, która przyczynia się do działania przy niskim zużyciu energii.
- Jeśli temperatura otoczenia jest powyżej lub poniżej proponowanego zakresu klimatu może to wpływad na działanie urządzenia. Na przykład, urządzenie działające w skrajnie zimnych warunkach lub gorących może spowodowad kołysanie temperatury wewnętrznej, temperatura 5-22 ° C nie musi zostad osiągnięta. teploty, a nastavení teploty 5-22°C nemusí být dosažitelné.

Klasy klimatyczne	Temperatura otoczenia
SN	10 - 32 °C (50°F-90°F)
N	16 - 32 °C (61°F-90°F)
ST	18 - 38 °C (64°F-100°F)
T	18 - 43 °C (64°F-109°F)

## • SKŁADOWANIE WINA

- Standardowe półki są zaprojektowane specjalnie do przechowywania butelek Bordeaux. Maksymalna liczba butelek może zmieniać się w zależności od różnej wielkości i różnych rozmiarów butelek wina, które są układane.
- Półki można wysunąć o około jedną trzecią w celu łatwego dostępu do chłodziarki z winami. Półki wysuwane są dostępne w dwóch wersjach.

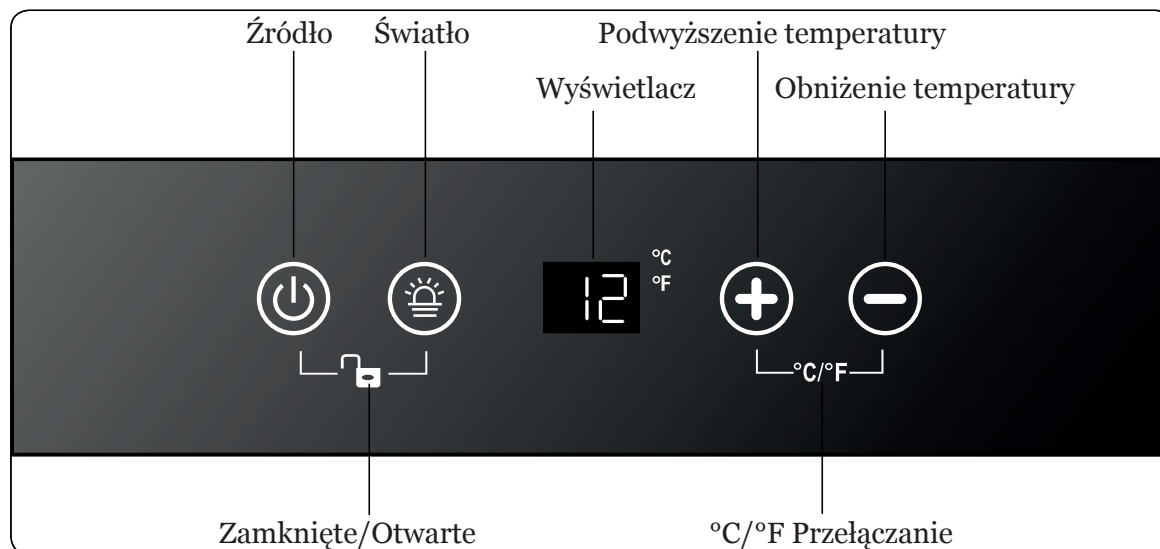
1. Półki bez szyn teleskopowych, ale z ogranicznikiem z tworzywa sztucznego po każdej stronie półki, aby zapobiec spadnięciu butelki.
2. Półki z teleskopowymi szynami, które zatrzymują się same o siebie.



- Aby zapobiec uszkodzeniu uszczelki drzwi, upewnij się, że masz drzwi całkowicie otwarte przez cały czas wyciągania półki.
- Proszę przechowywać wino w zamkniętych butelkach.
- Nie należy zasłaniać półki folią aluminiową lub innym materiałem, który mógłby uniemożliwić cyrkulację powietrza.
- W przypadku, że chłodziarka do wina pozostaje pusta przez dłuższy czas, zaleca się, aby urządzenie zostało odłączone do źródła. Po dokładnym oczyszczeniu pozostawid uchylone drzwi, aby umożliwid cyrkulację powietrza wewnątrz i uniknąd kondensacji, pleśni lub zapachu.
- Zalecane temperatury do chłodzenia /układania wina.

Rodzaj wina	Zalecana temperatura
Wino czerwone	15 - 18°C (59°F-64°F)
Suche / Białe wino	9 - 14°C (48°F-57°F)
Wino różowe	10 - 11°C (50°F-52°F)
Wina musujące	5 - 8°C (41°F-46°F)


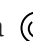
## PANEL STERUJĄCY Jedno-strefowy



## Dwustrefowy





### STEROWANIE WŁĄCZYD/WYŁĄCZYD

- Gdy urządzenie jest podłączone do gniazdka elektrycznego, włączy się automatycznie.
- Naciśnięcie przycisku źródło na  10 sekund, aby wyłączyć (lub włączyć) urządzenie.
- Bez względu na to czy urządzenie jest zamknięte czy otwarte, można wyłączyć źródło naciśnięciem przycisku źródła  przez 10 sekund.




Ostrzeżenie: Aby nie doszło do uszkodzenia sprężarki, proszę nie włączać ponownie urządzenia przez 5 minut od wyłączenia.

## ODBLOKOWANIE PANELU STEROWANIA

- Aby odblokować panel sterowania, naciśnij równocześnie przycisk źródła i światła   użyj 2 palce równocześnie i przytrzymuj przez 3 sekundy. Podczas odblokowania słychać buczący dźwięk.
- Panel sterowania jest automatycznie blokowany, słychać buczący dźwięk po 10 sekundach bez naciskania.
- W sytuacji zablokowania, panel sterujący nie może reagować na żaden przycisk lub oświetlenie WŁ. / WYŁ. ustawienie lub temperaturę.

## STEROWANIE OŚWIETLENIA WEWNĘTRZNEGO WŁĄCZYD/WYŁĄCZYD

- W sytuacji, gdy jest odblokowano, naciśnij przycisk światła  do włączenia (lub wyłączenia) wewnętrznego zimnego oświetlenia LED.
- Światło pozostanie włączone aż do czasu ręcznego wyłączenia.

## OKNO WYŚWIETLENIA TEMPERATURY







- Temperatura wyświetlana jest w postaci cyfrowej, co jest najlepszym sposobem do jej odczytu. Podczas ustawiania temperatury najpierw wyświetli się ustawiana temperatura, która zostanie zmieniona na temperaturę wewnętrzną po 10 sekundach bez dotyku.
- Jeśli czujnik temperatury nie jest w porządku, na wyświetlaczu pojawi się „HH“ lub „LL“ zamiast liczb cyfrowych i będzie słyszalny dźwięk brzęczenia. W przypadku, gdy to ma miejsce, urządzenie jest tak zaprojektowane, aby zapewnić okresowe działanie sprężarki i wentylatora, co pomaga utrzymać chłód wewnątrz i chronić przechowywane wino.









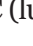
**Ostrzeżenie:** Aby zapobiec zniszczeniu przechowywanego wina, zaleca się, aby urządzenie natychmiast naprawić, ponieważ podczas pracy okresowej nie można zapewnić, że urządzenie osiągnie ustawioną temperaturę.

## USTAWIENIE TEMPERATURY

### Jedno-strefowa

- Zakres ustawianej temperatury wynosi 5-22 °C (41-72 °F).
- Naciśnij bezpośrednio przycisk  lub  do ustawiania jakiegokolwiek temperatury.
- Najpierw dotknij  lub  przycisk pokazuje poprzednie ustawienie temperatury.
- Naciśnij przycisk  do podwyższenia ustawionej temperatury o 1 °C (lub 1 °F). Odwrotnie, naciśnij przycisk  obniżenia ustawienia temperatury o 1 °C (lub 1 °F).
- Po 10 sekundach bez jakiegokolwiek dotyku pokaże się aktualna temperatura wewnątrz chłodziarki.

## Dwu-strefowa


- Zakres ustawianej temperatury wynosi od 5-12 °C (41-54 °F) dla górnej strefy 12-22°C (54-72 °F) dla dolnej strefy.
- Należy wybrać ustawienia strefy naciskając  jeszcze przed naciśnięciem przycisku  lub , aby ustawić żadaną temperaturę. Temperatura strefy będzie migłał, gdy jest gotowa do ustawienia.
- Najpierw dotknąć  lub  przycisk pokazuje poprzednie ustawienie temperatury.
- Nacisnąć przycisk  do podwyższenia ustawionej temperatury o 1 °C (lub 1 °F). Odwrotnie, nacisnąć przycisk  obniżenia ustawienia temperatury o 1 °C (lub 1 °F).
- Po 10 sekundach bez jakiegokolwiek dotyku pokaże się aktualna temperatura wewnątrz chłodziarki.

## UWAGA:

Przy pierwszym użyciu urządzenia lub podczas ponownego włączenia, po długim okresie bezczynności, może pojawić się kilku stopniowe odchylenie pomiędzy zadaną temperaturą i wyświetlaną temperaturą. Po kilku godzinach wszystko będzie w porządku.

## WYBRANIE STOPNIA FAHRENHEIT(°F) & CELSJUSZA (°C)

### Jedno-strefowa

Naciskając równocześnie przyciski , używając 2 palców równocześnie i przytrzymując przez 5 sekund, można zmienić stopnie Fahrenheita za stopnie Celsjusza na wyświetlaczu.

### Dwu-strefowa

Naciskając bezpośrednio przycisk , można zmienić stopnie Fahrenheita na Celsjusza na wyświetlaczu jednocześnie dla obu stref.

# PIELĘGNACJA I KONSERWACJA

## CZYSZCZENIE CHŁODZIARKI

- Wyłącz zasilanie, odłącz urządzenie i usunąć wszystkie przedmioty, w tym półki.
- Otrzed wewnętrzne powierzchnie gąbką z roztworem sody. Roztwór powinien zawierać około 2 łyżki sody oczyszczonej na 1 litr (około 1 litra) ciepłej wody.
- Umyd półki łagodnym detergentem. Drewniane półki pozostaw do wyschnięcia przed włożeniem z powrotem do chłodziarki.
- Użyj odcisniętą gąbkę lub ściereczkę do czyszczenia przestrzeni elementów elektrycznych.
- Przetred zewnętrzną obudowę ciepłą wodą i łagodnym detergentem w płynie. Na koniec wytrzed do sucha czystą szmatką. Na stal nierdzewną nie wolno używad wełny stalowej lub szczotki drucianej. Te mogą spowodowad zarysowanie stali nierdzewnej i byd przyczyną rdzy.

## PRZERWA W ZASILANIU

Większość awarii zasilania jest naprawiona w ciągu kilku godzin, więc nie powinno to mied wpływu na temperaturę urządzenia, podczas zminimalizowania częstości otwierania drzwi. Jeżeli energia jest przerywana przez dłuższy okres czasu, należy podjąć odpowiednie środki, aby chronid urządzenie.

## PRZEMIESZCZANIE CHŁODZIARKI

- Usuo wszystkie przedmioty.
- Taśmą bezpiecznie przykleid wszystkie luzem położone przedmioty (półki) wewnątrz urządzenia.
- Dokręcid regulowane nóżki do podstawy, aby uniknąd uszkodzenia.
- Taśmą zabezpieczyd zamknięte drzwi.
- Upewnij się, że urządzenie pozostaje w bezpiecznej pozycji pionowej podczas transportu. Ochronid także części zewnętrzne np. kocem lub podobnie.

## WSKAZÓWKI DOTYCZĄCE OSZCZĘDZANIA ENERGII

- Urządzenie powinno byd umieszczone z dala od urządzeo promieniujących ciepło i bezpośrednim działaniem promieni słonecznych.
- Upewnij się, że urządzenie jest właściwie wentylowane. Nie wolno zasłaniad otworów wentylacyjnych.
- Drzwiotwierad tylko w razie potrzeby. Nie zostawiaj otwartych drzwi przez długi okres lub często nie otwieraj / zamykaj drzwi.

# ROZWIĄZYWANIE PROBLEMÓW

Jeżeli myślisz, że urządzenie nie działa prawidłowo, wykonaj poniższe czynności, aby sprawdzić, czy istnieje możliwość łatwego rozwiązania problemu, przed wezwaniem serwisu.

Numer	PROBLEM	PRZYCZYNA PROBLEMU
1	Chłodziarka nie działa	Nie jest podłączona do źródła. Urządzenie jest wyłączone. Wyłącznik lub bezpiecznik jest przepalony.
2	Temperatura wewnątrz chłodziarki nie jest dostatecznie niska	Sprawdź ustawienia temperatury. Środowisko zewnętrzne może wymagać wyższego ustawienia. Drzwi są często otwierane. Drzwi nie są całkowicie zamknięte. Uszczelka drzwi nie działa poprawnie.
3	Częste automatyczne włączenie i wyłączenie	Temperatura w pomieszczeniu jest wyższa niż normalnie. Chłodziarka zawiera zbyt wiele butelek. Drzwi są otwierane zbyt często. Drzwi nie są całkowicie zamknięte. Regulacja temperatury nie jest ustawiona poprawnie. Uszczelka drzwi nie działa poprawnie.
4	Światło nie świeci	Nie jest podłączona do źródła. Wyłącznik lub bezpiecznik jest przepalony. Światło jest wyłączone.
5	Zbyt wibruje	Upewnij się, że urządzenie stoi na równej powierzchni. Upewnij się, że wewnątrz urządzenia ani w sprężarce nie ma części luzem.
6	Chłodziarka jest zbyt głośna	Dźwięk huczenia może wytwarzać przepływ płynu chłodzącego, co jest normalne. Po zakończeniu cyklu, można usłyszeć dźwięk bulgotania z powodu przepływu czynnika. Kurczenie i rozszerzanie wewnętrznych ścian może spowodować trzaski. Urządzenie to nie jest w wyrównanym położeniu.
7	Drzwi nie zamykają się dobrze.	Urządzenie nie jest w wyrównanym położeniu. Zostało zmienione i nieprawidłowo zainstalowane zamknięcie drzwi. Uszczelka jest brudna. Półki nie są w prawidłowym położeniu.
8	Wyświetlacz pokazuje „HH“ lub „LL“ zamiast numerów cyfrowych i wydaje stałe brzęczenie.	Sonda temperatury nie działa.



# ODWRÓCENIE OTWIERANIA DRZWI

Uwaga:

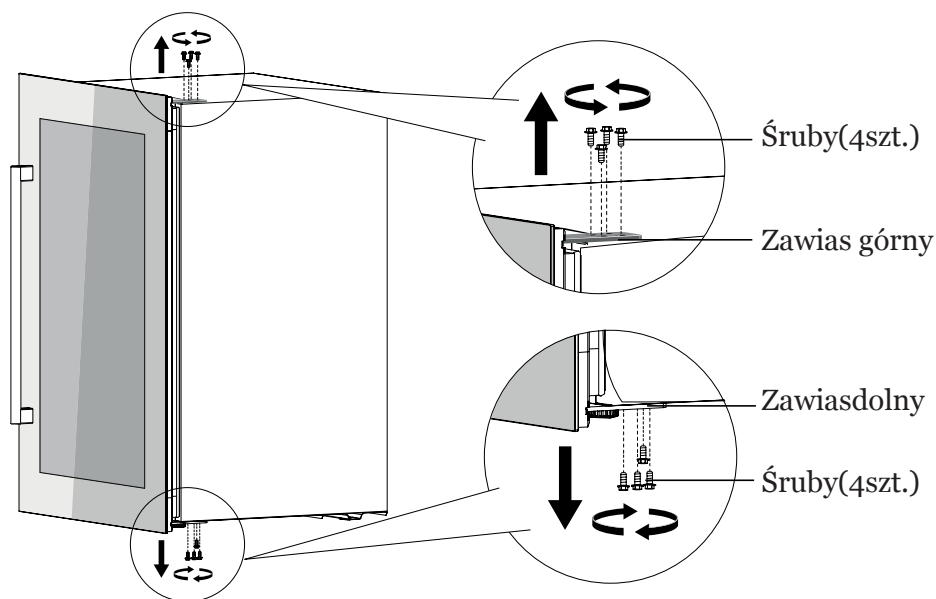
Odwroćenietwieraniadrzwi NIE JEST MOŻLIWE w urządzeniach z Panelem sterującym na drzwiach.

**Tylko w urządzeniu BU 41 IN Sterowaniewewnątrżurządzenia**

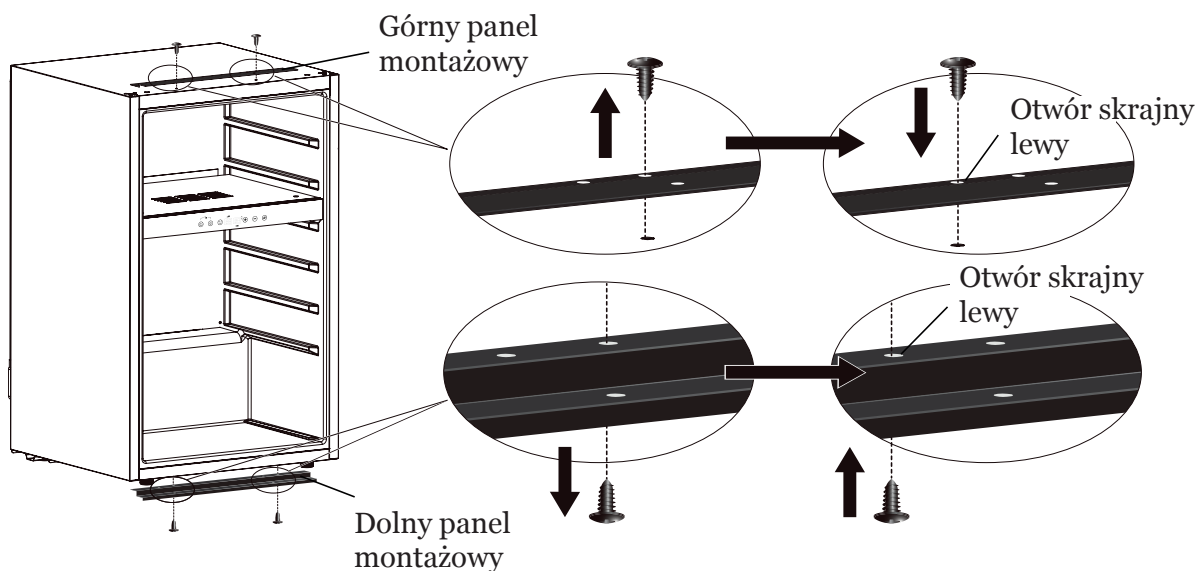
Uwagi:

- Niniejsze wskazówki odnoszą się do urzędzeo z już zainstalowanymi prawidłowymi zawiasami drzwi.
- Wszystkie odinstalowane części muszą być starannie przechowywane w przypadku ponownej instalacji drzwi.

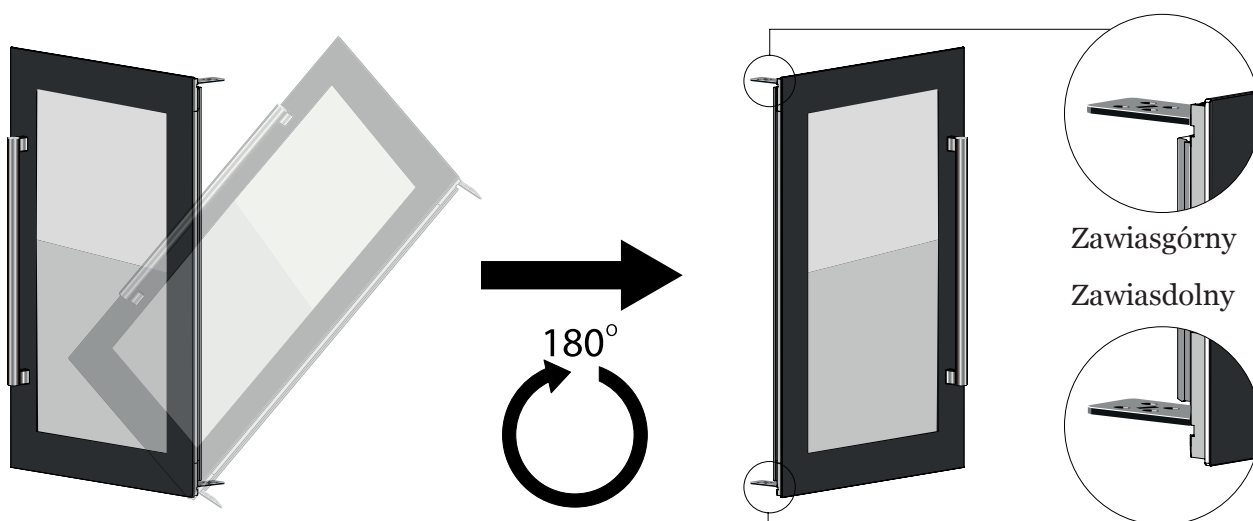
**1. KROK** – Odkręć 8 śrub z górnego zawiasu i dolnego zawiasu jedną po drugiej;



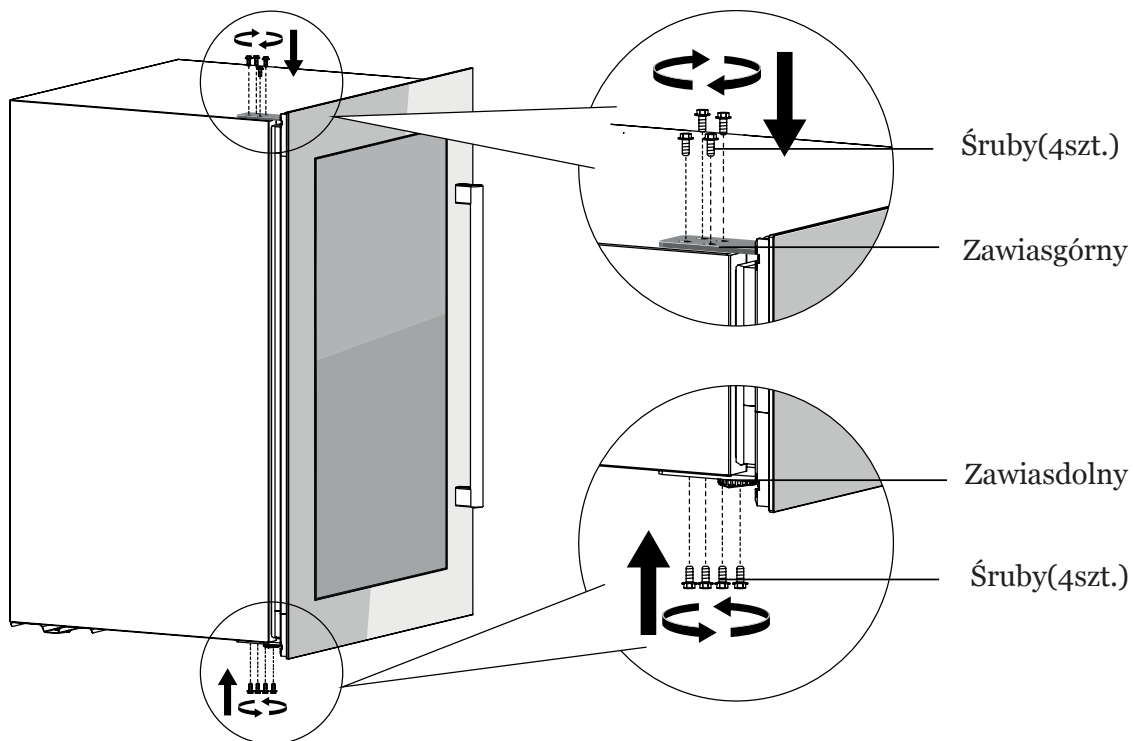
**2. KROK** – Odkręć górny panel montażowy, dolny panel montażowy, przysuń do obydwu paneli z lewej do prawej krawędzi urządzenia. Przykręć obydwa panele do skrajnego lewego otworu.



**3. KROK** – Obróć drzwi o 180° (do góry nogami);



**4. KROK** – Przykręć mocno 8 śrub górnego zawiasu i dolnego zawiasu, jedna po drugiej;



# ZAPIS O NAPRAWIE

Data	Opissterki	Lokalizacja centrum serwisowego	Centrum serwisowe	Naprawił	Podpis

# KARTA GWARANCYJNA

Proszę wypełnić wszystkie pola w formularzu. W przypadku sfałszowania lub zmiany danych usługi posprzedane nie będą udzielone. Niniejsza strona musi być wypełniona przez usługodawcę ze względu na ważność gwarancji, musi posiadać pieczętkę zatwierdzającą.

Model		
Informacja o użytkownikowi		
Informacje o zakupie		
Nazwa		
Firma		
Adres		
Nazwadostawcy		
Adresdostawcy		
Operator		Numertelefonu
Email	Numertelefonu	Datazakup



Better Trading, spol. s.r.o.  
Dobrovského 29, Brno 612 00  
Warehouse: Dornych 102, Brno 602 00  
Tel: +420 541 241 636  
Business information: +420 734 797 567  
Servis: +420 733 787 733  
Email: [info@humibox.cz](mailto:info@humibox.cz)  
[www.humibox.cz](http://www.humibox.cz)



# KOMPRESSZOROS BORHŰTŐ HASZNÁLATI ÚTMUTATÓ

**BU - 24 IN**

**BU - 41 IN**

A használati útmutató tartalmazza a készülék telepítésére és biztonságos használatára vonatkozó információkat. A készülék első használatba vétele előtt figyelmesen olvassa el a teljes használati útmutatót, és tartsa be az ott található biztonsági és egyéb utasításokat. Az útmutatót őrizze meg későbbi felhasználásokhoz is.



# CONTENTS

IMPORTANT SAFETY INFORMATION.....	3
DESCRIPTION OF APPLIANCE AND INSTALLATION.....	5
BU - 24 IN 82cm.....	5
BU - 41 IN 82cm.....	6
ACCESSORY INSTALLATION BEFORE OPERATING.....	6
UNPACKING AND CLEANING THE WINE COOLER .....	6
LOCK & UNLOCK THE DOOR (FOR OPTION).....	6
OPERATING THE WINE COOLER.....	7
WORKING CLIMATE.....	7
WINE STORAGE.....	7
CONTROL PANEL.....	8
POWER ON/OFF CONTROL .....	8
UNLOCKING THE CONTROL PANEL.....	9
INTERIOR LIGHTING ON/OFF CONTROL.....	9
TEMPERATURE DISPLAY WINDOW .....	9
TEMPERATURE SETTING.....	9
SELECTING FAHRENHEIT(°F) & CELSIUS (°C) DISPLAY.....	10
CARE AND MAINTENANCE.....	11
CLEANING THE WINE COOLER.....	11
POWER FAILURE.....	11
MOVING THE WINE COOLER .....	11
ENERGY SAVING TIPS.....	11
TROUBLESHOOTING .....	12
MAINTENANCE RECORD and WARRANTY CARD.....	13

- Az első használatba vétel előtt a készülékről távolítsa el minden csomagolóanyagot, címkét és fóliát, majd a készülék felületeit és alkatrészeit mosogatószeres vízbe mártott és jól kicsavart puha ruhával törölje meg.
- A készüléket 24 órával az elektromos hálózathoz való csatlakoztatás előtt állítsa üzemi helyzetbe, és a készüléket lehetőleg ne mozgassa. Ezzel megelőzheti a hűtőrendszer meghibásodását.

## **FONTOS BIZTONSÁGI ELŐÍRÁSOK**

A készüléket a jelen használati útmutató szerint telepítse a felhasználási helyére. A tüzek, áramütések, és személyi sérülések elkerülése érdekében a készülék üzembe helyezését és használatát a következő biztonsági előírások betartásával végezze.

- A készülék csak háztartásokban használható. A készülékben kizárólag csak lezárt, boros és egyéb italos üvegeket lehet tárolni.
- A készüléket úgy kell elhelyezni, hogy a fali aljzatba dugott csatlakozódugóhoz bármikor hozzá lehessen férni.
- A készüléket csak a típuscímkéjén feltüntetett tápfeszültség értékeivel megegyező hálózathoz szabad csatlakoztatni. A készüléket földelt fali aljzathoz kell csatlakoztatni. A földelést kiiktatni vagy megszakítani tilos! A készüléket ne üzemeltesse hosszabbító vezetékről.
- A hálózati csatlakozódugót és a hálózati vezetékét nedves kézzel ne fogja meg.
- A borhűtő feszültségmentesítéséhez a hálózati vezetékét ki kell húzni a fali aljzataból. Ennél a műveletnél a csatlakozódugót fogja meg. A vezetéknél fogva tilos a csatlakozódugót kihúzni az aljzataból.
- Javasoljuk, hogy a készülék által terhelt hálózati ágról ne üzemeltessen egyidejűleg másik készüléket.
- A tisztítás vagy karbantartás megkezdése előtt a készüléket feszültségmentesítse a hálózati vezeték kihúzásával. Ellenkező esetben akár halálos áramütés is érheti a készüléket tisztító vagy karbantartó személyt.
- A balesetek és áramütések elkerülése érdekében a borhűtő hálózati vezetékét csak márkaszerviz vagy villanyszerelő szakember cserélheti ki.
- A hálózati ág kismegszakítója legyen legalább 10 amperes.
- A készüléket felügyelet nélkül, gyermekek (8 év alatt) és magatehetetlen, vagy szellemileg fogyatékos személyek nem használhatják, illetve a készüléket csak olyan személy üzemeltetheti, aki elolvasta és megértette a használati utasítást, és a készülék használatáért felelősséget vállal. Ügyeljen arra, hogy a borhűtővel a gyerekek ne játszanak. A tisztítást és karbantartást gyerekek csak felnőtt személy felügyelete mellett végezhetik el.
- A használati útmutatót nem ismerő, továbbá a testi és szellemi fogyatékos személyek (illetve gyerekek), a borhűtőt csak olyan felnőtt személy felügyelete mellett használhatják, aki elolvasta a használati útmutatót és a készülék használatáért felelősséget vállal. A gyerekeket ne hagyja felügyelet nélkül. Ügyeljen arra, hogy a készülékkel gyerekek ne játszanak.

- A készüléket úgy építse be, hogy biztosítva legyen a megfelelő szellőztetése, a készülék előtt ne tároljon semmilyen tárgyat se. A készüléket óvja a közvetlen napsütéstől, továbbá hőforrásoktól (pl. kályha, tűzhely, radiátor stb.) távol üzemeltesse.
- A készüléket ne próbálja saját erőből megjavítani, illetve abban ne végezzen karbantartást (ha az nincs előírva a jelen útmutatóban). A készülék biztonságos használata érdekében a készüléken javítást és belső karbantartást csak szakember végezhet.
- A gép telepítéséhez biztosítson olyan körülményeket és szabad helyet, amivel megelőzhető a készülék vagy a munkát végző személy sérülése.
- A készülék megfelelő működéséhez a készüléket vízszintes helyzetbe kell beállítani. A vízszintes sík beállítását az állítható lábakkal kell végrehajtani.
- A készüléket gyúlékony anyagokkal tisztítani tilos, ellenkező esetben tűz üthet ki vagy robbanás következhet be. Tűzvédelmi okokból a berendezést nem szabad gyúlékony anyagok (pl. benzin) közelében üzemeltetni.
- A készüléket karcoló és durva tisztítóanyagokkal, vagy oldószerekkel tisztítani tilos. Ezek a szerek sérülést okozhatnak a készülék felületén vagy az alkatrészekben.
- A készüléket csak a rendeltetésének megfelelő célokra használja.
- A borhűtőbe más készülékeket ne tegyen be.
- A készülékhez csak a gyártó által ajánlott tartozékokat használja.
- A megsemmisítés előtt a készüléket tűztől és gyúlékony anyagoktól távol tárolja.
- GWP (globális felmelegedési potenciál): R600a=3
- A készülék megsemmisítése előtt az ajtót szerelje le és a polcokat hagyja a borhűtőben (hogy a gyerekek ne tudjanak bemászni). Ellenőrizze le, hogy a készülék hátulján lévő hűtőrendszer ép-e (abból nem folyt-e ki a hűtőközeg).



A terméken, vagy a termék csomagolóanyagán feltüntetett jel azt jelenti, hogy az elektromos és elektronikus készüléket a háztartási hulladékok közé kidobni tilos, az ilyen hulladékot csak a kijelölt hulladékgyűjtő helyen szabad leadni.

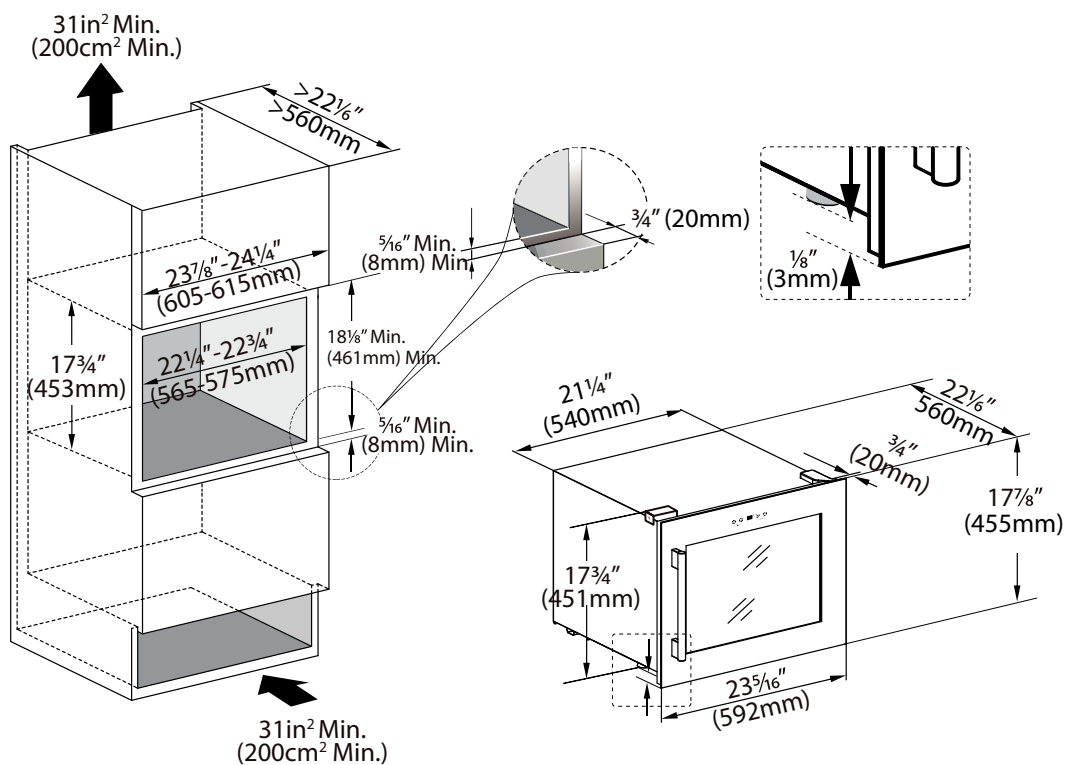
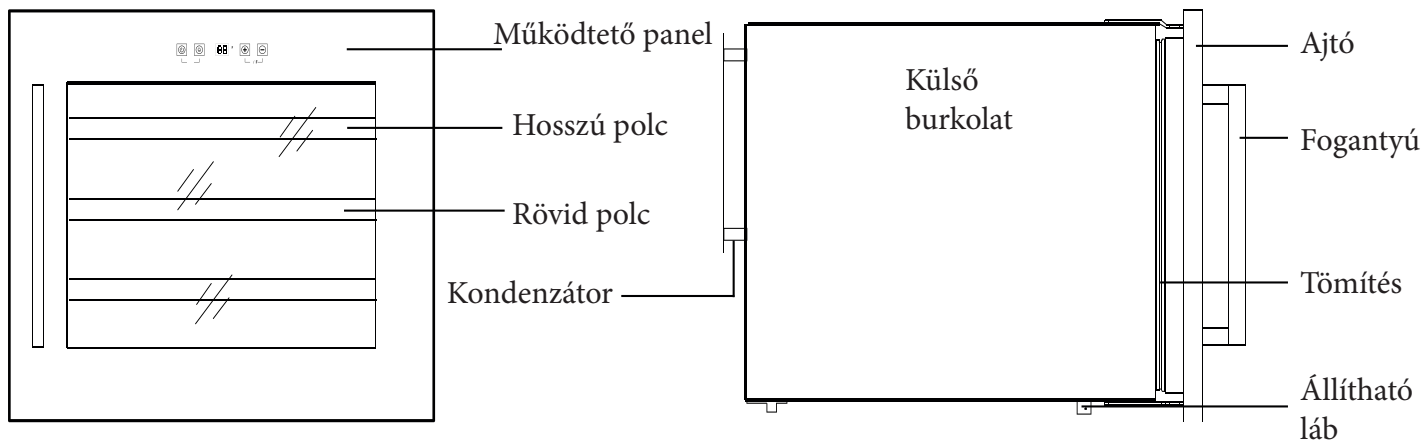


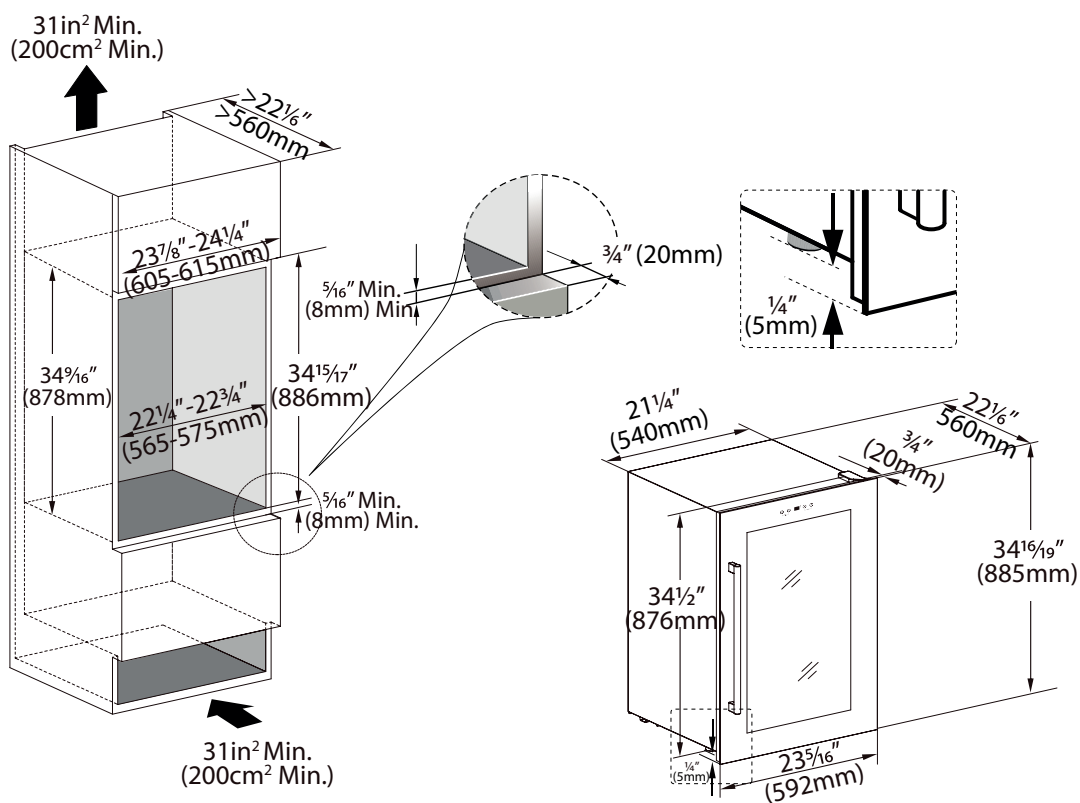
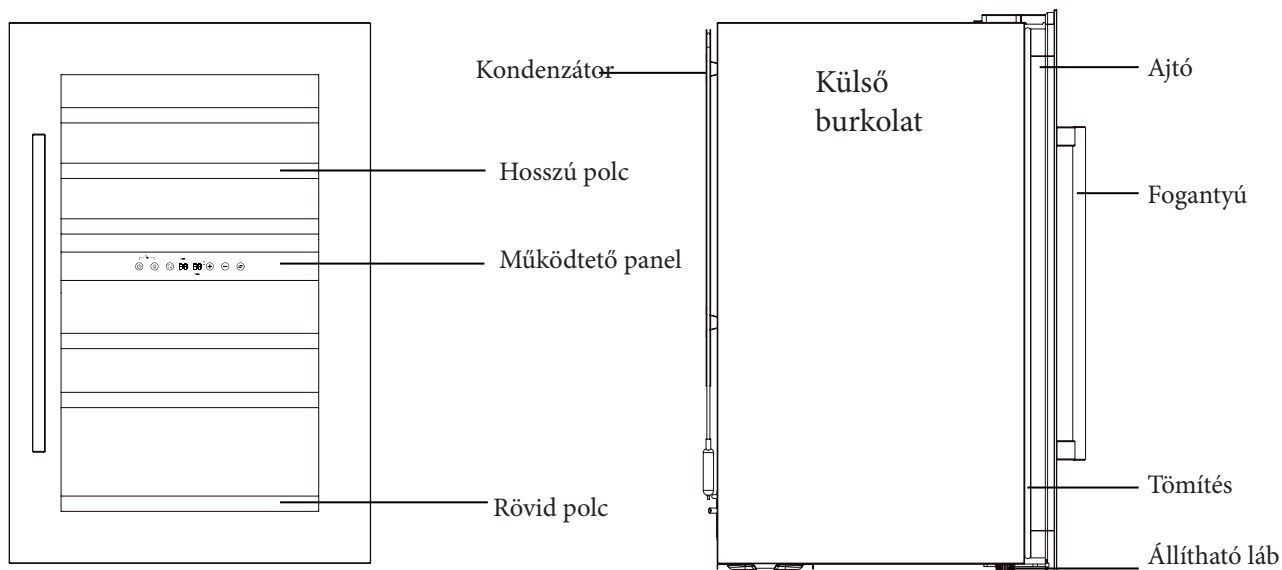


# HASZNÁLATI ÉS TELEPÍTÉSI ÚTMUTATÓ

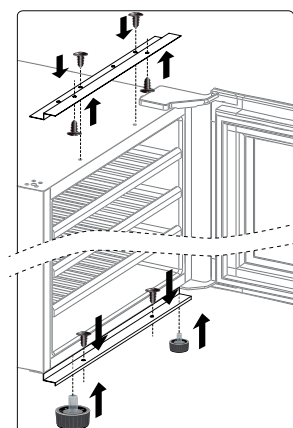
A következő ábra mutatja a készülék részeit. A méretek és a polcok száma a modellsorozaton belül típusonként eltérő lehet.

BU - 24 IN Egyrészes, 24 palack részére





1. A készülék bútorba építése előtt a 4 eredeti (fehér) lábat csavarozza ki, és csavarozza be a 2 alacsonyabb (fekete) lábat. Ezeket a készülék tartozékai között találja meg.
2. 2 darab csavarral rögzítse a bútorhoz az alsó sínt. Az alsó sín a készülékhez van csavarozva.
3. A készülék megfelelő rögzítése után a felső sínt is felszerelheti (ezt a készülék tartozékai között találja meg). A sínt csavarral rögzítse a készülékhez majd a bútorhoz. Lásd a jobb oldali ábrát.

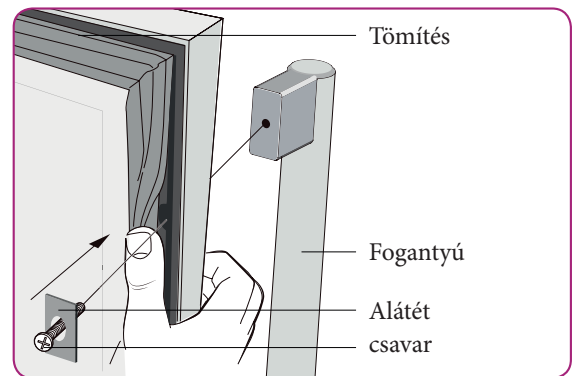


# A TARTOZÉKOK FELSZERELÉSE AZ ÜZEMBE HELYEZÉS ELŐTT

## • A BORHŰTŐ KICSOMAGOLÁSA ÉS TISZTÍTÁSA

- Az első használatba vétel előtt a készülékről távolítson el minden csomagolóanyagot (kívül és belül).
- A készüléket 24 órával az elektromos hálózathoz való csatlakoztatás előtt állítsa üzemi helyzetbe, és a készüléket lehetőleg ne mozgassa. Ezzel megelőzheti a hűtőrendszer meghibásodását.
- A készüléket mosogatószeres vízzel enyhén megnedvesített puha ruhával törölje meg.
- A tartozékként szállított fogantyút szerelje fel (lásd a következő lépéseket).

- 1. lépés:** - az ajtó tömítését finoman nyomja befelé, 2 furatot kell szabaddá tennie.
- 2. lépés:** - a fogantyút csavar és alátét segítségével rögzítse az ajtóhoz (lásd az ábrát).
- 3. lépés:** - a tömítést nyomja vissza a helyére.



### • KULCSOS AJTÓZÁR (OPCIÓS)

- Az ajtózáras opciós funkció. Amennyiben az Ön készüléke ilyen, akkor ahhoz a kulcsa tartozékok között található.
- Az ajtó kinyitásához dugja a kulcsot a zárba, majd forgassa el az óramutató járásával ellenkező irányba. Az ajtó zárásához a kulcsot forgassa el az óramutató járásával azonos irányba. A kulcsot tárolja biztonságos helyen.

## A BORHŰTŐ HASZNÁLATA

### • ÜZEMELTETÉSI KÖRNYEZET

- A készülék SN és N klímaosztályú környezetben üzemeltethető (lásd az alábbi táblázatot). Amennyiben a készülék környezeti hőmérséklete 22 és 25°C között van, akkor a készülék energiatakarékos módon üzemeltethető.
- Amennyiben a környezeti hőmérséklet a fenti határokon kívülre esik, akkor a készülék lassabban éri el a beállított hőmérsékletet. Például ha a környezeti hőmérséklet nagyon alacsony vagy nagyon magas, akkor előfordulhat, hogy a készülék nem tudja az 5 és 22°C közötti tartományban tartani a belső hőmérsékletet.

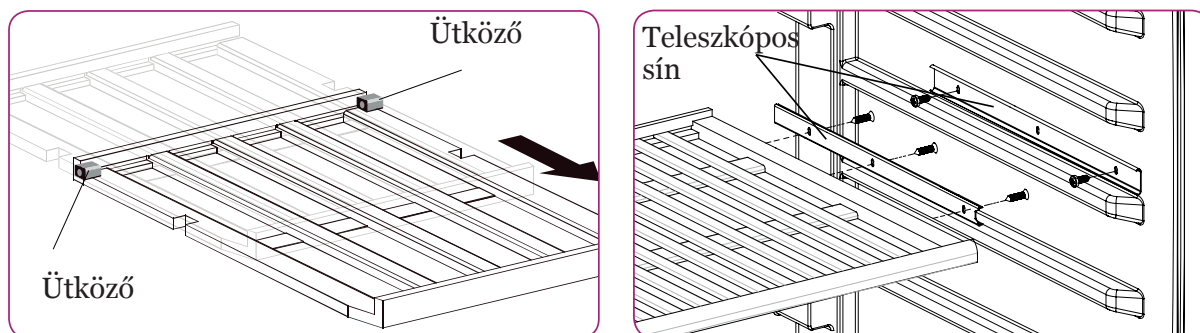
Klímaosztály	Környezeti hőmérséklet
SN	10 - 32 °C (50°F-90°F)
N	16 - 32 °C (61°F-90°F)
ST	18 - 38 °C (64°F-100°F)
T	18 - 43 °C (64°F-109°F)

## • A BOR TÁROLÁSA

- A polcok kialakítása a hagyományos palack méretének megfelelő. A behelyezhető palackok száma függ a konkrét palackok méretétől és alakjától.
- A polcok 1/3 részben kihúzhatók (a rakodás megkönnyítéséhez). Nem minden típusban húzhatók ki a polcok (csak két típusnál).

1. A polcok kivitele lehet ütközős vagy teleszkópos. Az első változatnál ütközők akadályozzák meg a polc teljes kihúzását.

2. A második változatnál teleszkópos sín vezet meg a polcot.



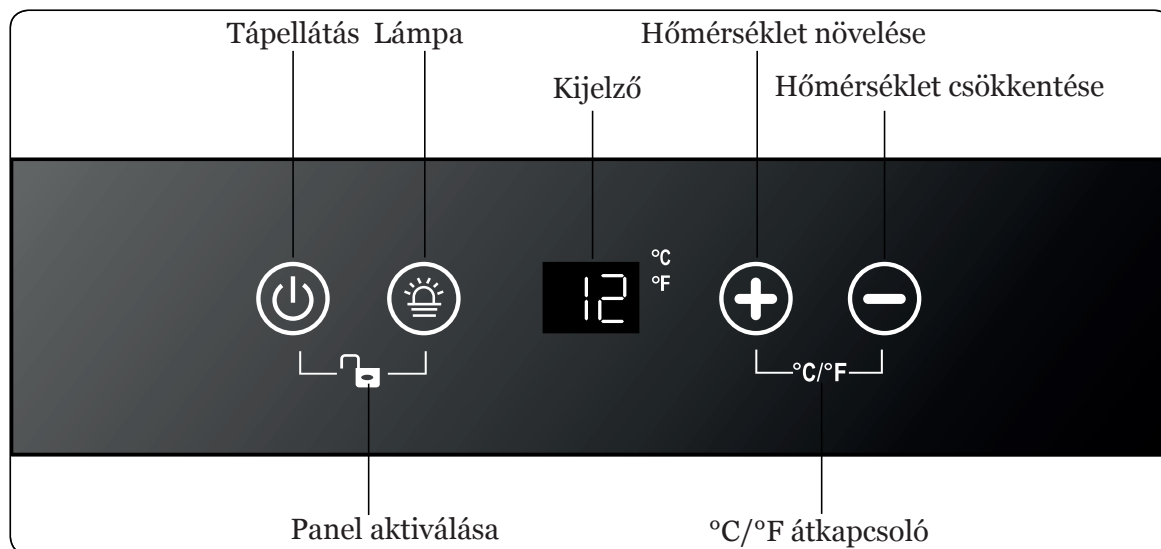
- Az ajtó tömítés megvédése érdekében az ajtót mindig teljesen nyissa ki, ha a polcokat ki kívánja húzni.
- A borhűtőbe csak lezárt üvegeket helyezzen be.
- A polcokra (vagy az üvegekre) ne tegyen alumínium fóliát (vagy más anyagot), mert ez megakadályozza a levegő szabad áramlását.

- Amennyiben a borhűtőt hosszabb ideig üresen kívánja tárolni, akkor azt feszültségmentesítse a hálózati vezeték kihúzásával. A készüléket alaposan tisztítsa ki, majd az ajtót hagyja nyitva (a készülék tökéletes megszáradásáig). Ellenkező esetben a készülékben pára csapódik le, abban elszaporodik a penészgomba és a belseje megbűdösödik.
- Ajánlott tárolási hőmérsékletek.

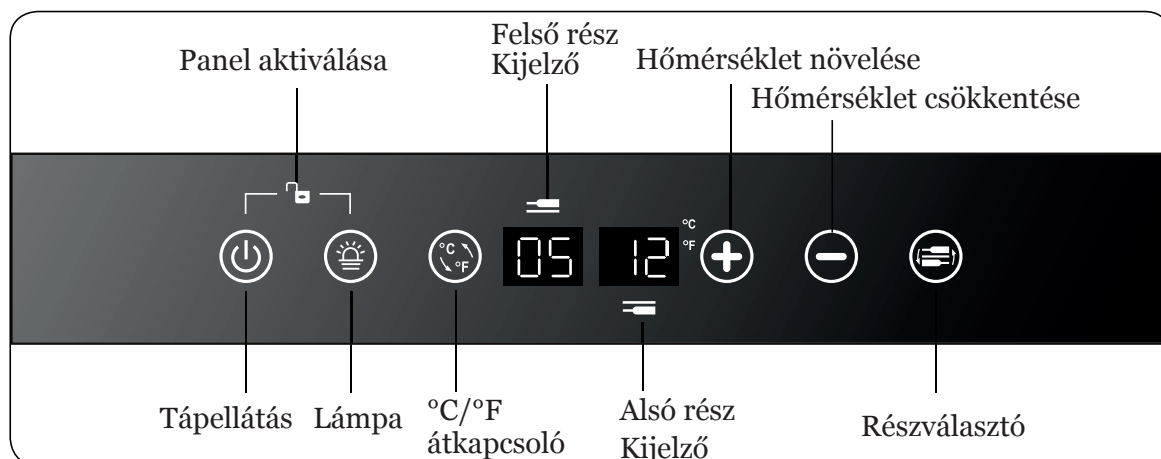
Borfajta	Ajánlott hőmérséklet
Vörösborok	15 - 18°C (59°F-64°F)
Száraz és fehér borok	9 - 14°C (48°F-57°F)
Rozé borok	10 - 11°C (50°F-52°F)
Pezsgők	5 - 8°C (41°F-46°F)

# MŰKÖDTETŐ PANEL

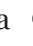

## Egyrészes



## Kétrészes



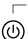

## BE- ÉS KIKAPCSOLÁS

- Amikor a készüléket csatlakoztatja az elektromos hálózathoz, az automatikusan bekapcsol.
- Nyomja meg a  gombot 10 másodpercig, a készülék kikapcsolásához (vagy bekapcsolásához).
- A panelzár állapotától függetlenül, a  gomb 10 másodpercig tartó megnyomásával a készülék kikapcsol.




**Figyelmeztetés!** A kompresszor védelme érdekében, a kikapcsolásától számítva legalább 5 percig ne kapcsolja be ismét a készüléket.

## A MŰKÖDTETŐ PANEL AKTIVÁLÁSA

- A működtető panel aktiválásához (a blokkolás oldásához) egyidejűleg nyomja meg a   gombokat (legalább 3 másodpercig tartsa benyomva a gombokat). Az aktiválását sípszó jelzi.
- Amennyiben 10 másodpercig egyetlen gombot sem nyom meg, akkor a panel automatikusan kikapcsol (ezt is sípszó jelzi).
- Ha a panel blokkolt állapotban van, akkor nem reagál a gombok megnyomására.

## A BELSŐ VILÁGÍTÁS BE- ÉS KIKAPCSOLÁSA

- Aktiválja a panelt és nyomja meg a  gombot a belső világítás bekapcsolásához (vagy kikapcsolásához). A készülékben LED diódák biztosítják a fényt.
- A világítás addig működik, amíg azt a kapcsolóval ki nem kapcsolja.

## HŐMÉRSÉKLET KIJELEZÉSE




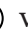

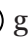
- A hőmérsékletet a digitális kijelző mutatja. A hőmérséklet beállítása után, ha 10 másodpercig egyetlen gombot sem nyom meg, akkor a kijelző átkapcsol a belső hőmérséklet kijelzésére.
- Amennyiben a hőmérő szenzor meghibásodik, akkor a kijelzőn a “HH” vagy a “LL” felirat lesz látható, illetve a készülék sípszóval jelzi a meghibásodást. Ha hőmérő szenzor meghibásodik, akkor a készülék periodikusan bekapcsolja a kompresszort és a ventilátort, hogy biztosítsa az állandó hőmérsékletet a borhűtőn belül.










**Figyelmeztetés!** A tárolt bor védelme érdekében, ha hőmérő szenzor meghibásodik, akkor azt minél előbb javíttassa meg, mert a vész-üzemmód nem képes biztosítani a beállított és elvárt borhőmérsékletet.

## HŐMÉRSÉKLET BEÁLLÍTÁSA

### Egyrésztes

- Beállítható hőmérséklet 5 és 22 °C között (41-72 °F).
- Nyomja meg a  vagy a  gombot a hőmérséklet beállításához.
- A  vagy a  gomb megnyomása után először a korábban beállított hőmérséklet értéke jelenik meg.
- A  gomb egyszeri megnyomásával a hőmérséklet értéke 1°C-kal (vagy 1°F-kal) emelkedik. A  gomb egyszeri megnyomásával a hőmérséklet értéke 1°C-kal (vagy 1°F-kal) csökken.
- Ha 10 másodpercig egyetlen gombot sem nyom meg, akkor a kijelző átkapcsol a belső hőmérséklet kijelzésére.

## Kétrészes


- Beállítható hőmérséklet a felső részben: 5 és 12°C között (41-54°F), az alsó részben: 12 és 22 °C között (54-72 °F).
- Előbb válassza ki a beállítandó részt a gomb  megnyomásával, majd nyomja meg a  vagy a  gombot a hőmérséklet beállításához. A kijelző villogni kezd.
- A  vagy a  gomb megnyomása után először a korábban beállított hőmérséklet értéke jelenik meg.
- A  gomb egyszeri megnyomásával a hőmérséklet értéke 1°C-kal (vagy 1°F-kal) emelkedik.
- A  gomb egyszeri megnyomásával a hőmérséklet értéke 1°C-kal (vagy 1°F-kal) csökken.
- Ha 10 másodpercig egyetlen gombot sem nyom meg, akkor a kijelző átkapcsol a belső hőmérséklet kijelzésére.

## Megjegyzés:

a készülék első bekapcsolása (vagy hosszabb ideig tartó üzemszünet utáni bekapcsolása) után a kijelzett és a tényleges hőmérséklet között néhány fokos eltérés lehet. Ez néhány óra múlva helyreáll.

## FAHRENHEIT(°F) vagy CELSIUS (°C) kiválasztása

### Egyrészes

Egyidejűleg nyomja be és tartsa benyomva a  gombokat (legalább 5 másodpercig).  
Válasszon megjelenítési mértékegységet: °C vagy °F.

### Kétrészes

Nyomja meg a  gombot. Válasszon megjelenítési mértékegységet: °C vagy °F.

# ÁPOLÁS ÉS KARBANTARTÁS

## A BORHÚTÓ TISZTÍTÁSA

- A készüléket kapcsolja le, húzza ki a hálózati vezetéket és vegyen ki mindent a borhűtőből (a polcokat is).
- A borhűtő belső felületeit étkezési szóda vizes oldatával törölje meg. Az étkezési szóda vizes oldatának az előállításához használjon 2 evőkanál szódát egy liter meleg vízhez.
- A polcokat mosogatószeres vízben mosogassa el. A polcokat a behelyezés előtt szárítsa meg.
- A működtető panelt benedvesített és jól kicsavart puha ruhával törölje meg.
- A készülék külsejét puha ruhával és folyékony tisztítószerrel tisztítsa meg. A felületeket száraz ruhával törölje meg.
- Agresszív tisztítószereket, karcoló mosogatóanyagokat és eszközöket (pl. acél drótszivacs) ne használjon. Ezek a rozsdamentes acélból készült felületen is sérülést okozhatnak.

## ÁRAMKIMARADÁS

Az áramkimaradások általában csak néhány óráig tartanak. Ha a készülék ajtaját feleslegesen nem nyitogatja, akkor a készülék belső hőmérsékletére az áramkimaradás nem lesz hatással. Amennyiben az áramkimaradás hosszabb ideig tart, akkor tegye meg a szükséges lépéseket a bor védelme érdekében.

## A BORHÚTÓ MOZGATÁSA

- A borhűtőből az üvegeket vegye ki.
- A polcokat ragasztószalaggal rögzítse a készülékben.
- A lábakat csavarozza be ütközésig.
- Az ajtót ragasztószalaggal rögzítse.
- A készüléket függőleges helyzetben mozgassa és szállítsa. A készüléket megfelelő csomagolóanyaggal burkolja be, védje meg az esetleges sérülésektől.

## ENERGIATAKARÉKOSSÁGI ÖTLETEK

- A készüléket közvetlen napsütéstől védett helyen, sugárzó hőt kibocsátó tárgyaktól távol üzemeltesse.
- Biztosítsa a készülék és környéke megfelelő szellőztetését. A szellőzőnyílásokat ne takarja le.
- Az ajtót feleslegesen ne nyitogassa. Az ajtót ne hagyja nyitva hosszabb ideig.



# HIBAEELHÁRÍTÁS

Amennyiben a készülék hibásan működik, akkor mielőtt felhívná a márkaszervizt, figyelmesen olvassa el az alábbi útmutatót, hátha megoldást talál a problémára.

Szám	PROBLÉMA	OKOK ÉS MEGOLDÁSOK
1	A borhűtő nem működik.	Nincs a hálózathoz csatlakoztatva. A készülék ki van kapcsolva. A kismegszakító lekapcsolva.
2	A borhűtő belső hőmérséklete nem megfelelő.	Ellenőrizze le a hőmérséklet beállítását. Lehet, hogy túl magas a környezeti hőmérséklet. Az ajtót gyakran nyitogatja. Az ajtó nem zár megfelelő módon. A tömítés nem tömít.
3	Gyakori automatikus be- és kikapcsolás.	Túl magas a környezeti hőmérséklet. Túl sok üveg van a borhűtőben. Az ajtót gyakran nyitogatja. Az ajtó nem zár megfelelő módon. A hőmérséklet rosszul van beállítva. A tömítés nem tömít.
4	A lámpa nem világít.	Nincs a hálózathoz csatlakoztatva. A kismegszakító lekapcsolva. A lámpa le van kapcsolva.
5	A készülék erősen beremeg.	A készülék nem lett vízszintbe állítva. A készülék hátulján valami lelazult vagy hozzáér valamihez.
6	A borhűtő túl hangos.	A hangot a hűtőrendszer hozza létre (ez normális jelenség). A hűtőközeg áramlása „vízcsobogás” hangot hozhat létre. A hőmérsékletváltozás miatt a kitáguló (vagy összehúzódó) anyagok pattogó hangot hozhatnak létre. A készülék nincs vízszintbe állítva.
7	Az ajtó nem zárul be teljesen.	A készülék nincs vízszintbe állítva. Az ajtó rosszul lett felszerelve. Az ajtó tömítése koszos. A polc nincs benyomva.
8	A kijelzőn a “HH” vagy a “LL” felirat látható, a készülék sípol.	A hőmérsékletmérő szonda meghibásodott.

# AZ AJTÓNYITÁS ÁTFORDÍTÁSA

Megjegyzés:

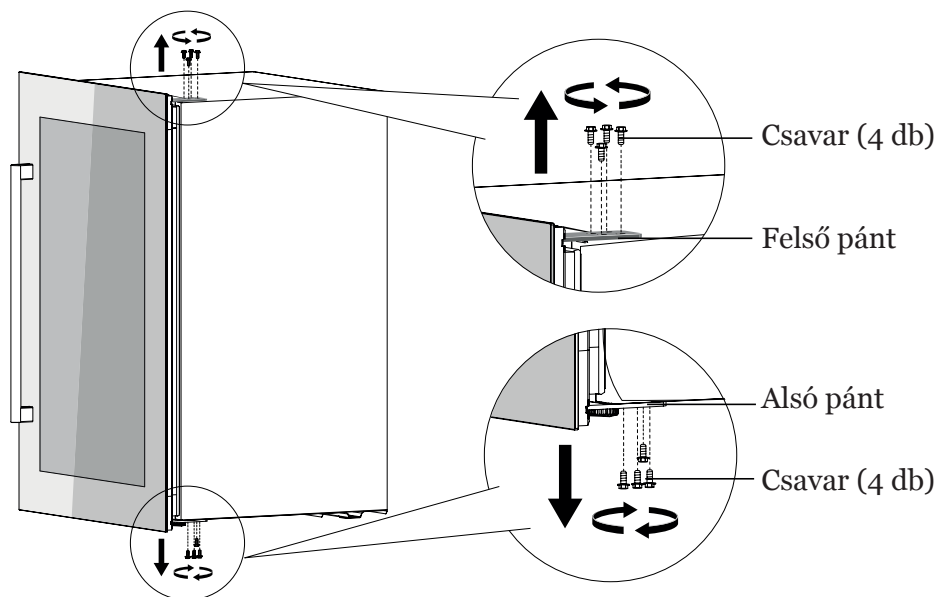
Amennyiben a működtető panel az ajtón található, akkor az ajtó nyitása nem fordítható át.

Ez csak a BU - 41 IN belső működtetésű készüléknél lehetséges.

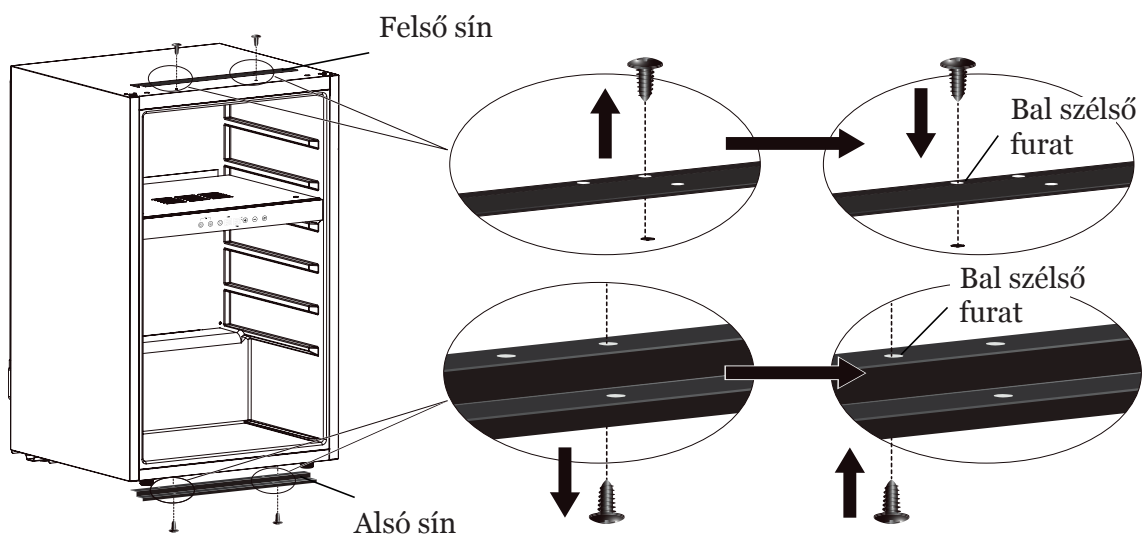
**Megjegyzések:**

- az alábbi lépések arra a készülékre vonatkoznak, amelynél az ajtó a jobb oldalra van felszerelve,
- a leszerelt alkatrészeket őrizze meg (az ajtó esetleges visszafordításához).

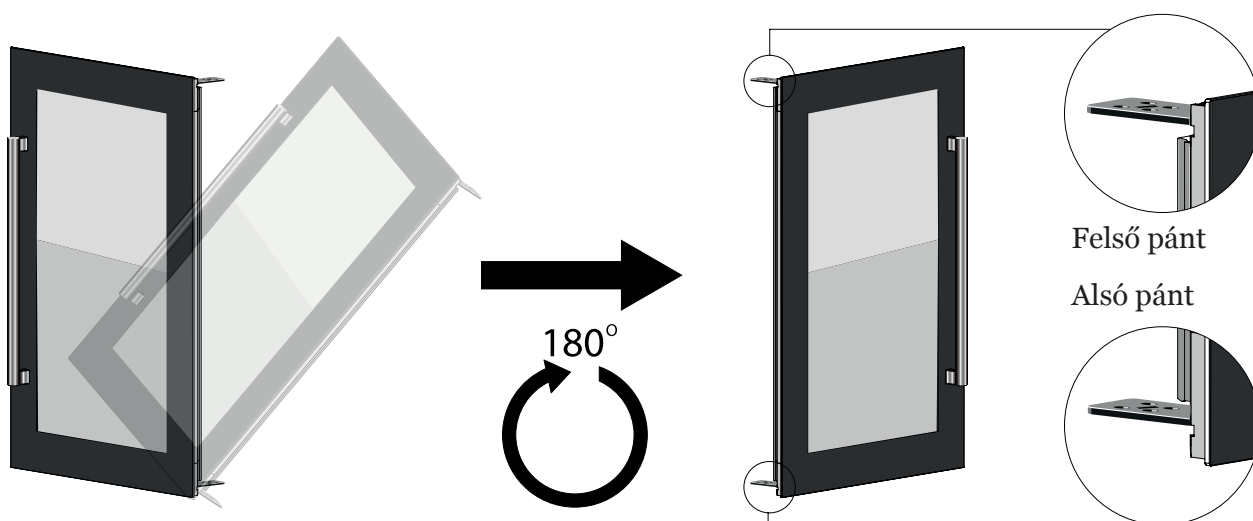
**1. lépés** – az alsó és felső pántból csavarozza ki a csavarokat (összesen 8 csavar).



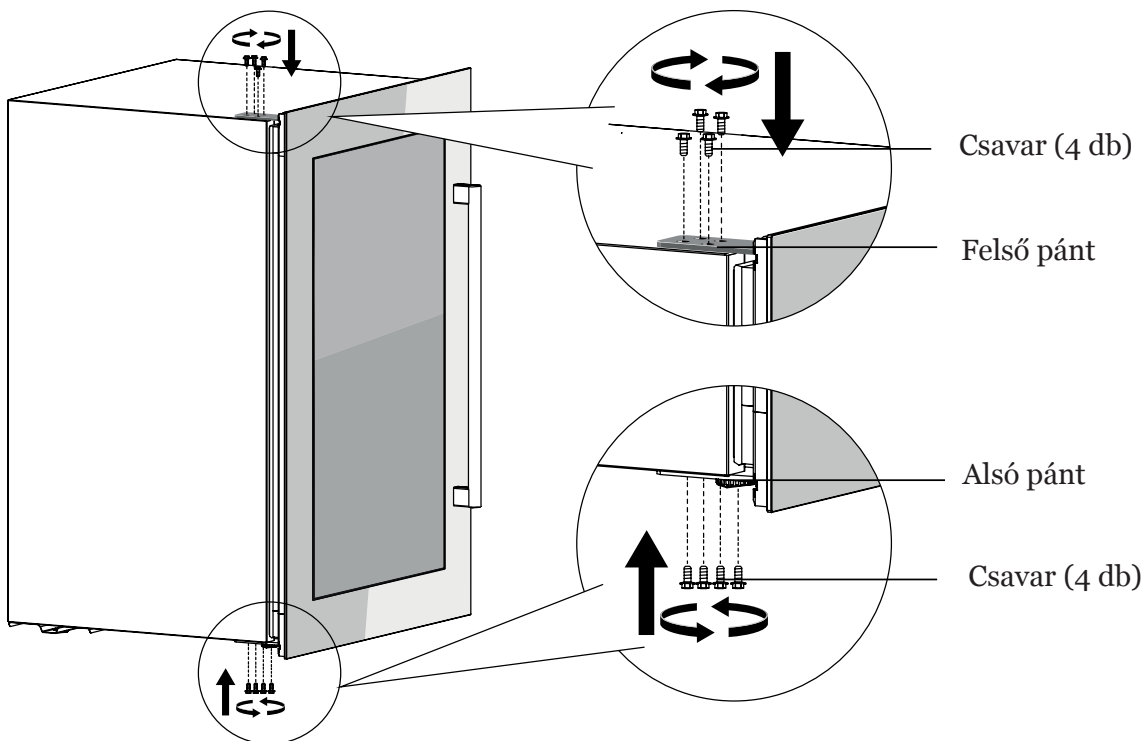
**2. lépés** – szerelje le a felső és alsó sínt, majd tolja át a másik oldalra. Mindkét sínt rögzítse a balra található furatokon keresztül.



**3. lépés** – az ajtót 180°-kal fordítsa át.



**4. lépés** – az alsó és felső pántokba csavarozza be a csavarokat (összesen 8 csavar).



# JAVÍTÁSI FELJEGYZÉSEK

Dátum	Meghibásodás leírása	Szerviz címe	Szerviz neve	Javította	Aláírás

## GARANCIALEVÉL

Kérjük, töltsön ki minden adatot! Az adatok megváltoztatása vagy hamisítása esetén a garancia érvényét veszti. Az adatokat az eladónak kell kitöltenie. Az érvényesítéshez alá kell írni és le kell bélyegezni.

Típus		
Felhasználó adatai		
Vásárlási adatok		
Név		
Cég		
Cím		
Eladó neve		
Eladó címe		
Üzemeltető	Telefonszám	
Email	Telefonszám	Vásárlás időpontja



Better Trading, spol. s.r.o.  
Dobrovského 29, Brno 612 00  
Warehouse: Dornych 102, Brno 602 00  
Tel: +420 541 241 636  
Business information: +420 734 797 567  
Servis: +420 733 787 733  
Email: [info@humibox.cz](mailto:info@humibox.cz)  
[www.humibox.cz](http://www.humibox.cz)

