

Instructions for use

WASHING MACHINE

GB

GB

English,1

DE

Deutsch,13

CZ

Český,25

SK

Slovensky,37

GR

Ελληνικά,49

EWD 61052

Contents

Installation, 2-3

Unpacking and levelling
Connecting the electricity and water supplies
The first wash cycle
Technical data

Care and maintenance, 4

Cutting off the water or electricity supply
Cleaning the washing machine
Cleaning the detergent dispenser drawer
Caring for the door and drum of your appliance
Cleaning the pump
Checking the water inlet hose

Precautions and tips, 5

General safety
Disposal

Description of the washing machine and starting a wash cycle, 6-7

Control panel
Indicator lights
Starting a wash cycle

Wash cycles, 8

Table of wash cycles
Fast daily cycles

Personalisation, 9

Setting the temperature
Setting the spin speed
Functions

Detergents and laundry, 10

Detergent dispenser drawer
Preparing the laundry
Special wash cycles
Load balancing system

Troubleshooting, 11

Service, 12

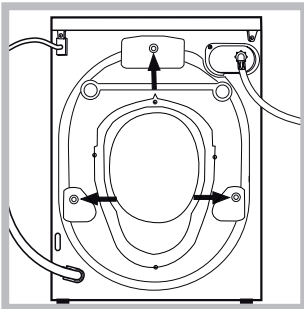
Installation

GB ! This instruction manual should be kept in a safe place for future reference. If the washing machine is sold, transferred or moved, make sure that the instruction manual remains with the machine so that the new owner is able to familiarise himself/herself with its operation and features.
! Read these instructions carefully: they contain vital information relating to the safe installation and operation of the appliance.

Unpacking and levelling

Unpacking

1. Remove the washing machine from its packaging.
2. Make sure that the washing machine has not been damaged during the transportation process. If it has been damaged, contact the retailer and do not proceed any further with the installation process.



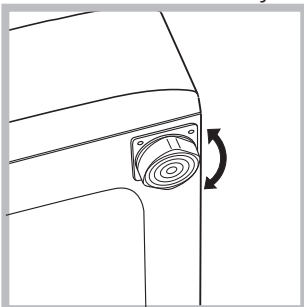
3. Remove the 3 protective screws (used during transportation) and the rubber washer with the corresponding spacer, located on the rear part of the appliance (see figure).

4. Close off the holes using the plastic plugs provided.
5. Keep all the parts in a safe place: you will need them again if the washing machine needs to be moved to another location.

! Packaging materials should not be used as toys for children.

Levelling

1. Install the washing machine on a flat sturdy floor, without resting it up against walls, furniture cabinets or anything else.

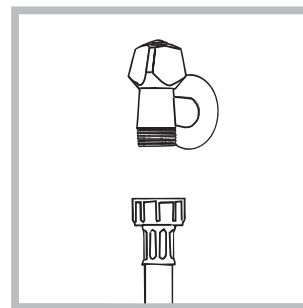


2. If the floor is not perfectly level, compensate for any unevenness by tightening or loosening the adjustable front feet (see figure); the angle of inclination, measured in relation to the worktop, must not exceed 2°.

Levelling the machine correctly will provide it with stability, help to avoid vibrations and excessive noise and prevent it from shifting while it is operating. If it is placed on carpet or a rug, adjust the feet in such a way as to allow a sufficient ventilation space underneath the washing machine.

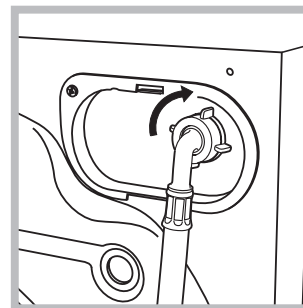
Connecting the electricity and water supplies

Connecting the water inlet hose



1. Connect the supply pipe by screwing it to a cold water tap using a $\frac{3}{4}$ gas threaded connection (see figure).

Before performing the connection, allow the water to run freely until it is perfectly clear.



2. Connect the inlet hose to the washing machine by screwing it onto the corresponding water inlet of the appliance, which is situated on the top right-hand side of the rear part of the appliance (see figure).

3. Make sure that the hose is not folded over or bent.

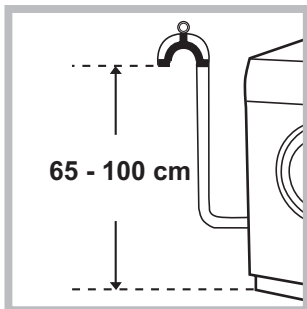
! The water pressure at the tap must fall within the values indicated in the Technical details table (see next page).

! If the inlet hose is not long enough, contact a specialised shop or an authorised technician.

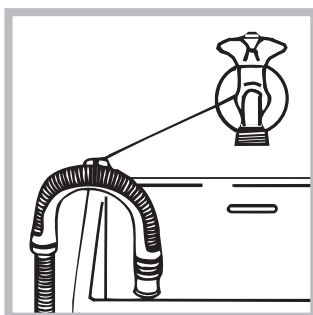
! Never use second-hand hoses.

! Use the ones supplied with the machine.

Connecting the drain hose



Connect the drain hose, without bending it, to a drainage duct or a wall drain located at a height between 65 and 100 cm from the floor;



alternatively, rest it on the side of a washbasin or bathtub, fastening the duct supplied to the tap (see figure). The free end of the hose should not be underwater.

! We advise against the use of hose extensions; if it is absolutely necessary, the extension must have the same diameter as the original hose and must not exceed 150 cm in length.

Electrical connections

Before plugging the appliance into the electricity socket, make sure that:

- the socket is earthed and complies with all applicable laws;
- the socket is able to withstand the maximum power load of the appliance as indicated in the Technical data table (see opposite);
- the power supply voltage falls within the values indicated in the Technical data table (see opposite);
- the socket is compatible with the plug of the washing machine. If this is not the case, replace the socket or the plug.

! The washing machine must not be installed outdoors, even in covered areas. It is extremely dangerous to leave the appliance exposed to rain, storms and other weather conditions.

! When the washing machine has been installed, the electricity socket must be within easy reach.

! Do not use extension cords or multiple sockets.



! The cable should not be bent or compressed.

! The power supply cable must only be replaced by authorised technicians.

Warning! The company shall not be held responsible in the event that these regulations are not respected.

The first wash cycle

Once the appliance has been installed, and before you use it for the first time, run a wash cycle with detergent and no laundry, using the wash cycle **2**.

| Technical data | |
|---|--|
| Model | EWD 61052 |
| Dimensions | width 59.5 cm height 85 cm depth 51,7 cm |
| Capacity | from 1 to 6 kg |
| Electrical connections | please refer to the technical data plate fixed to the machine |
| Water connection | maximum pressure 1 MPa (10 bar) minimum pressure 0.05 MPa (0.5 bar) drum capacity 46 litres |
| Spin speed | up to 1000 rotations per minute |
| Test wash cycles in accordance with regulations 1061/2010 and 1015/2010 | Programme 15: Eco Cotton 60°C. Programme 15: Eco Cotton 40°C. |
|   | This appliance conforms to the following EC Directives: - 2004/108/EC (Electromagnetic Compatibility) - 2012/19/EU - WEEE - 2006/95/EC Low Voltage) |

Care and maintenance

GB

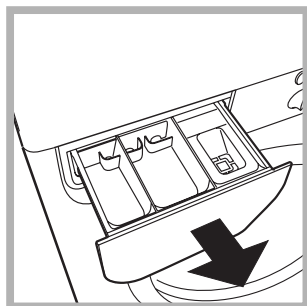
Cutting off the water and electricity supplies

- Turn off the water tap after every wash cycle. This will limit wear on the hydraulic system inside the washing machine and help to prevent leaks.
- Unplug the washing machine when cleaning it and during all maintenance work.

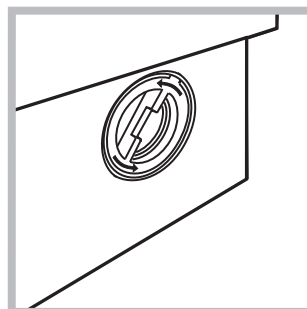
Cleaning the washing machine

The outer parts and rubber components of the appliance can be cleaned using a soft cloth soaked in lukewarm soapy water. Do not use solvents or abrasives.

Cleaning the detergent dispenser drawer



Remove the dispenser by raising it and pulling it out (see figure). Wash it under running water; this operation should be repeated frequently.



2. unscrew the lid by rotating it anti-clockwise (see figure): a little water may trickle out. This is perfectly normal;

3. clean the inside thoroughly;
4. screw the lid back on;
5. reposition the panel, making sure the hooks are securely in place before you push it onto the appliance.

Checking the water inlet hose

Check the inlet hose at least once a year. If there are any cracks, it should be replaced immediately: during the wash cycles, water pressure is very strong and a cracked hose could easily split open.

! Never use second-hand hoses.

Caring for the door and drum of your appliance

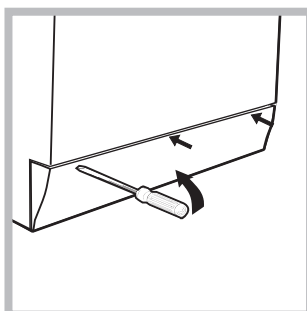
- Always leave the porthole door ajar in order to prevent unpleasant odours from forming.

Cleaning the pump

The washing machine is fitted with a self-cleaning pump which does not require any maintenance. Sometimes, small items (such as coins or buttons) may fall into the pre-chamber which protects the pump, situated in its bottom part.

! Make sure the wash cycle has finished and unplug the appliance.

To access the pre-chamber:



1. using a screwdriver, remove the cover panel on the lower front part of the washing machine (see figure);

! This washing machine was designed and constructed in accordance with international safety regulations. The following information is provided for safety reasons and must therefore be read carefully.

Consumers should contact their local authority or retailer for information concerning the correct disposal of their old appliance.

GB

General safety

- This appliance was designed for domestic use only.
- This appliance can be used by children aged from 8 years and above and persons with reduced physical, sensory or mental capabilities or lack of experience and knowledge if they have been given supervision or instruction concerning use of the appliance in a safe way and understand the hazards involved. Children shall not play with the appliance. Cleaning and user maintenance shall not be made by children without supervision.
- Do not touch the machine when barefoot or with wet or damp hands or feet.
- Do not pull on the power supply cable when unplugging the appliance from the electricity socket. Hold the plug and pull.
- Do not open the detergent dispenser drawer while the machine is in operation.
- Do not touch the drained water as it may reach extremely high temperatures.
- Never force the porthole door. This could damage the safety lock mechanism designed to prevent accidental opening.
- If the appliance breaks down, do not under any circumstances access the internal mechanisms in an attempt to repair it yourself.
- Always keep children well away from the appliance while it is operating.
- The door can become quite hot during the wash cycle.
- If the appliance has to be moved, work in a group of two or three people and handle it with the utmost care. Never try to do this alone, because the appliance is very heavy.
- Before loading laundry into the washing machine, make sure the drum is empty.

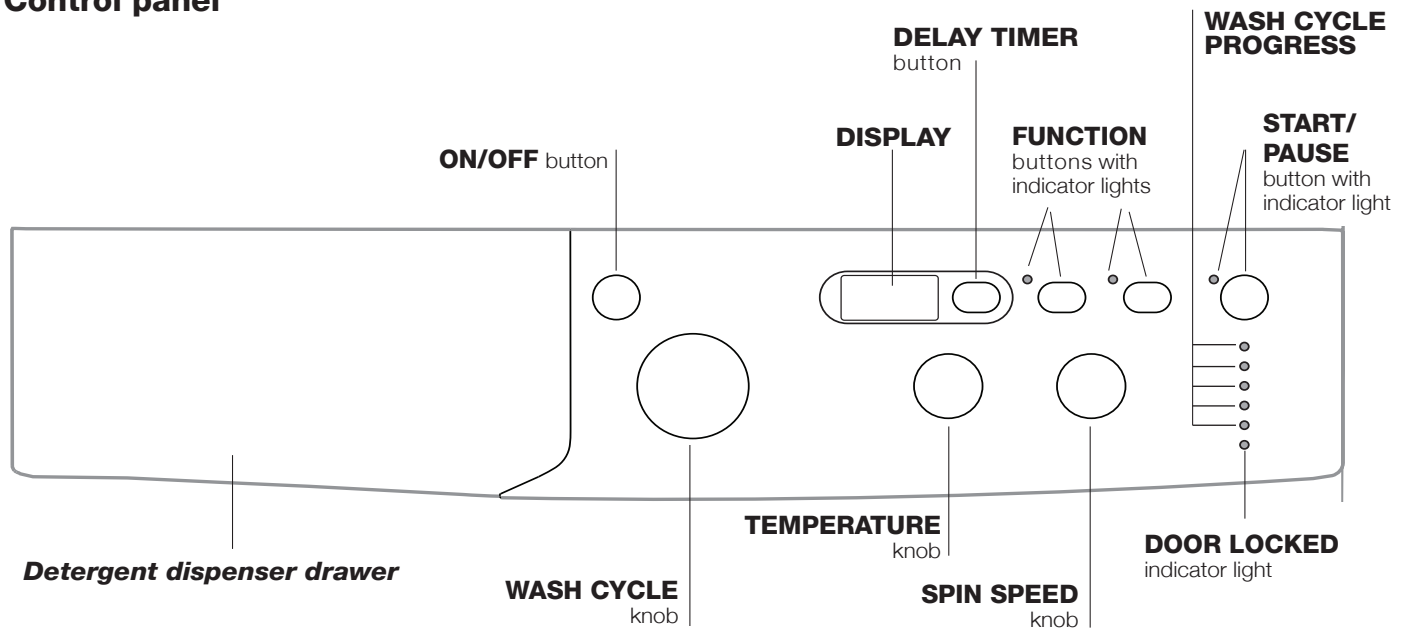
Disposal

- Disposing of the packaging materials: observe local regulations so that the packaging may be re-used.
- The European Directive 2012/19/EU - WEEE on Waste Electrical and Electronic Equipment, requires that old household electrical appliances must not be disposed of in the normal unsorted municipal waste stream. Old appliances must be collected separately in order to optimise the recovery and recycling of the materials they contain and reduce the impact on human health and the environment. The crossed out “wheeled bin” symbol on the product reminds you of your obligation, that when you dispose of the appliance it must be separately collected.

Description of the washing machine and starting a wash cycle

GB

Control panel



Detergent dispenser drawer: used to dispense detergents and washing additives (see “Detergents and laundry”).

ON/OFF button: switches the washing machine on and off.

WASH CYCLE knob: programmes the wash cycles. During the wash cycle, the knob does not move.

FUNCTION buttons with indicator light: used to select the available functions. The indicator light corresponding to the selected function will remain lit.

TEMPERATURE knob: sets the temperature or the cold wash cycle (see “Personalisation”).

SPIN SPEED knob: sets the spin speed or exclude the spin cycle completely (see “Personalisation”).


DISPLAY: used to view the duration of the various cycles available and the remaining time of a cycle in progress; if the DELAY TIMER option has been selected, the countdown to the start of the selected cycle will appear.

DELAY TMER button : press to set a delayed start time for the selected wash cycle. The delay time will be shown on the display.

WASH CYCLE PROGRESS indicator lights: used to monitor the progress of the wash cycle. The illuminated indicator light shows which phase is in progress.

DOOR LOCKED indicator light: indicates whether the door may be opened or not (see next page).

START/PAUSE button with indicator light: starts or temporarily interrupts the wash cycles.

N.B. To pause the wash cycle in progress, press this button; the corresponding indicator light will flash orange, while the indicator light for the current wash cycle phase will remain lit in a fixed manner. If the DOOR LOCKED  indicator light is switched off, the door may be opened (wait approximately 3 minutes). To start the wash cycle from the point at which it was interrupted, press this button again.

Standby mode


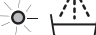


This washing machine, in compliance with new energy saving regulations, is fitted with an automatic standby system which is enabled after about 30 minutes if no activity is detected. Press the ON-OFF button briefly and wait for the machine to start up again.

Indicator lights

The indicator lights provide important information. This is what they can tell you:

Wash cycle phase indicator lights

Once the desired wash cycle has been selected and has begun, the indicator lights switch on one by one to indicate which phase of the cycle is currently in progress.

| | |
|-------------------|---|
| Wash | ○  |
| Rinse | ○  |
| Spin | ○  |
| Drain | ○  |
| End of wash cycle | ○ END |

Function buttons and corresponding indicator lights

When a function is selected, the corresponding indicator light will illuminate.

If the selected function is not compatible with the programmed wash cycle, the corresponding indicator light will flash and the function will not be activated.

If the selected function is not compatible with another function which has been selected previously, the indicator light corresponding to the first function selected will flash and only the second function will be activated; the indicator light corresponding to the enabled option will remain lit.


Door locked indicator light

When the indicator light is on, the porthole door is locked to prevent it from being opened; make sure the indicator light is off before opening the door (wait approximately 3 minutes). To open the door during a running wash cycle, press the START/PAUSE button; the door may be opened once the DOOR LOCKED indicator light turns off.

Starting a wash cycle

1. Switch the washing machine on by pressing the ON/OFF button. All indicator lights will switch on for a few seconds, then they will switch off and the START/PAUSE indicator light will pulse.
2. Load the laundry and close the door.
3. Set the WASH CYCLE knob to the desired programme.
4. Set the washing temperature (see "Personalisation").
5. Set the spin speed (see "Personalisation").
6. Measure out the detergent and washing additives (see "Detergents and laundry").
7. Select the desired functions.
8. Start the wash cycle by pressing the START/PAUSE button and the corresponding indicator light will remain lit in a fixed manner, in green.


To cancel the set wash cycle, pause the machine by pressing the START/PAUSE button and select a new cycle.

9. At the end of the wash cycle the **END** indicator light will switch on. The door can be opened once the DOOR LOCK  indicator light turns off (wait approximately 3 minutes). Take out your laundry and leave the appliance door ajar to make sure the drum dries completely. Switch the washing machine off by pressing the ON/OFF button.

Wash cycles

GB

Table of wash cycles

| Wash cycles | Description of the wash cycle | Max. temp. (°C) | Max. speed (rpm) | Detergents | | | Max. load (kg) | Residual dampness % | Energy consumption kWh | Total water lt | Cycle duration |
|------------------------------|--|-------------------|---|------------|------|-----------------|----------------|---------------------|------------------------|----------------|----------------|
| | | | | Pre-wash | Wash | Fabric softener | | | | | |
| EVERYDAY FAST | | | | | | | | | | | |
| 1 | Colour Mix 59' | 40° | 1000 | - | ● | ● | 6 | - | - | - | 59' |
| 2 | Cotton 59' | 60° | 1000 | - | ● | ● | 6 | - | - | - | 59' |
| 3 | Cotton 45' | 40° | 1000 | - | ● | ● | 3 | - | - | - | 45' |
| 4 | Synthetics 59' (3) | 40° (Max. 60°) | 1000 | - | ● | ● | 3 | 44 | 0,50 | 39 | 59' |
| 5 | Mix 30' | 30° | 800 | - | ● | ● | 3 | 70 | 0,17 | 31 | 30' |
| 6 | Express 20' | 20° | 800 | - | ● | ● | 3 | - | - | - | 20' |
| Special & Partial | | | | | | | | | | | |
| 7 | Gym Kit | 40° | 600 | - | ● | ● | 3 | - | - | - | ** |
| 8 | Sport Shoes | 30° | 600 | - | ● | ● | Max. 2 pairs | - | - | - | ** |
| 9 | Baby: Heavily soiled delicate colours. | 40° | 800 | - | ● | ● | 2 | - | - | - | ** |
| 10 | Rinse | - | 1000 | - | - | ● | 6 | - | - | - | ** |
| 11 | Spin + Drain | - | 1000 | - | - | - | 6 | - | - | - | ** |
| 11 | Only Drain * | - |  | - | - | - | 6 | - | - | - | ** |
| Dedicated | | | | | | | | | | | |
| 12 | Duvet: for down-stuffed garments. | 30° | 1000 | - | ● | ● | 1,5 | - | - | - | ** |
| 13 | Wool: for wool, cashmere, etc. | 40° | 800 | - | ● | ● | 1,5 | - | - | - | ** |
| 14 | Silk/Curtains: for garments in silk and viscose, lingerie. | 30° | 0 | - | ● | ● | 1 | - | - | - | ** |
| 15 | Eco Cotton 60° (1): heavily soiled whites and resistant colours. | 60° | 1000 | - | ● | ● | 6 | 62 | 0,91 | 50,0 | 190' |
| 15 | Eco Cotton 40° (2): lightly soiled whites and delicate colours. | 40° | 1000 | - | ● | ● | 6 | 62 | 0,85 | 76 | 170' |
| 16 | Cotton with prewash: extremely soiled whites. | 90° | 1000 | ● | ● | ● | 6 | - | - | - | ** |

* If you select programme 11 and exclude the spin cycle, the machine will drain only.

** The duration of the wash cycle can be checked on the display.

The length of cycle shown on the display or in this booklet is an estimation only and is calculated assuming standard working conditions. The actual duration can vary according to factors such as water temperature and pressure, the amount of detergent used, the amount and type of load inserted, load balancing and any wash options selected.

1) Test wash cycle in compliance with regulations 1061/2010: set wash cycle 15 with a temperature of 60°C.

This cycle is designed for cotton loads with a normal soil level and is the most efficient in terms of both electricity and water consumption; it should be used for garments which can be washed at 60°C. The actual washing temperature may differ from the indicated value.

2) Test wash cycle in compliance with regulations 1061/2010: set wash cycle 15 with a temperature of 40°C.

This cycle is designed for cotton loads with a normal soil level and is the most efficient in terms of both electricity and water consumption; it should be used for garments which can be washed at 40°C. The actual washing temperature may differ from the indicated value.

For all Test Institutes:

2) Long wash cycle for cottons: set wash cycle 15 with a temperature of 40°C.

3) Long programme for synthetics: set programme 4, then select the "Extra Wash " option.

Fast daily cycles

A complete set of fast programmes to wash the most commonly used fabrics - even with a full load - and to remove the most frequent daily dirt in less than 1 hour.

Colour Mix 59': to wash mixed and coloured items together.

Cotton 59': cycle designed to wash cotton garments - mainly white items. It can be used with powder detergent too.

Cotton 45': short cycle designed to wash delicate cotton items.

Synthetics 59': specific for synthetic items. If the dirt is difficult to remove, the temperature can be increased up to 60° and powder detergent can be used too.

Mix 30': short cycle designed to wash a mixed load of cotton and synthetic fabrics - white and coloured items together.

Express 20': this programme refreshes your items, making them perfumed again in just 20 minutes.

Setting the temperature

Turn the TEMPERATURE knob to set the wash temperature (see *Table of wash cycles*).

The temperature may be lowered, or even set to a cold wash .

The washing machine will automatically prevent you from selecting a temperature which is higher than the maximum value set for each wash cycle.


! Exception: if the **4** programme is selected, the temperature can be increased up to a value of 60°C.

Setting the spin speed

Turn the SPIN SPEED knob to set the spin speed for the selected wash cycle.

The maximum spin speeds available for each wash cycle are as follows:

| Wash cycles | Maximum spin speed |
|-------------|--------------------|
| Cottons | 1000 rpm |
| Synthetics | 1000 rpm |
| Wool | 800 rpm |
| Silk | drain only |

The spin speed may be lowered, or the spin cycle can be excluded altogether by selecting the symbol .

The washing machine will automatically prevent you from selecting a spin speed which is higher than the maximum speed set for each wash cycle.

Functions

The various wash functions available with this washing machine will help to achieve the desired results, every time.


To activate the functions:

1. Press the button corresponding to the desired function;
2. the function is enabled when the corresponding indicator light is illuminated.

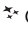
Note:

- If the selected function is not compatible with the programmed wash cycle, the corresponding indicator light will flash and the function will not be activated.
- If the selected function is not compatible with another function which has been selected previously, the indicator light corresponding to the first function selected will flash and only the second function will be activated; the indicator light corresponding to the enabled option will remain lit.


Delay timer

To set a delayed start for the selected programme, press the corresponding button repeatedly until the required delay period has been reached. When this option is enabled, the  symbol lights up on the display. To remove the delayed start option press the button until the text "OFF" appears on the display.

Extra Wash

Enable the **Extra Wash**  option for very dirty items, where compatible. Press this option to let the cycle automatically re-adjust all wash parameters through a longer lasting cycle. The option always leaves the temperature unchanged, while the spin cycle is automatically brought back to maximum levels. The user can set the spin cycle back to the desired value at any time.

Energy Saver

The **Energy Saver**  option washes cotton and synthetic items, saving energy and helping the environment. Energy saving is due to a cold wash cycle, while an enhanced mechanical action and optimised water use make it possible to reach the desired result. Recommended for slightly soiled garments. Use of liquid detergent recommended.

Detergents and laundry

GB

Detergent dispenser drawer

Good washing results also depend on the correct dose of detergent: adding too much detergent will not necessarily result in a more efficient wash, and may in fact cause build up on the inside of your appliance and contribute to environmental pollution.

! Do not use hand washing detergents because these create too much foam.

! Use powder detergent for white cotton garments, for pre-washing, and for washing at temperatures over 60°C.

! Follow the instructions given on the detergent packaging.



Open the detergent dispenser drawer and pour in the detergent or washing additive, as follows.

compartment 1: Pre-wash detergent (powder)
compartment 2: Detergent for the wash cycle (powder or liquid)

Liquid detergent should only be poured in immediately prior to the start of the wash cycle.

compartment 3: Additives (fabric softeners, etc.)

The fabric softener should not overflow the grid.

Note: If a "tablet detergent" is used, always follow the manufacturer's instructions.

Preparing the laundry

- Divide the laundry according to:
 - the type of fabric/the symbol on the label
 - the colours: separate coloured garments from whites.
- Empty all garment pockets and check the buttons.
- Do not exceed the values listed in the "Table of wash cycles", which refer to the weight of the laundry when dry.

How much does your laundry weigh?

- 1 sheet 400-500 g
- 1 pillow case 150-200 g
- 1 tablecloth 400-500 g
- 1 bathrobe 900-1200 g
- 1 towel 150-250 g

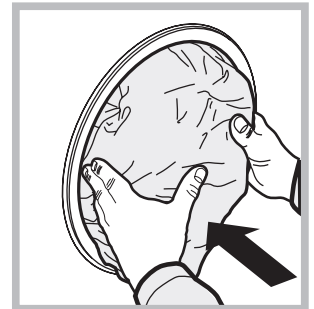
Special wash cycles


Gym Kit: cycle suitable to wash all sports items together, including gym towels, while respecting their fibres (follow the instructions in the garment labels).

Sport Shoes: is for washing sports shoes; for best results, do not wash more than 2 pairs simultaneously. We recommend fastening any strings before introducing the shoes into the drum.

Baby: cycle designed for dirt typical of children's garments in that it effectively removes any traces of residual detergent.

Duvet: to wash single duvets (the weight of which should not exceed 1,5 kg), cushions or clothes padded with goose down such as puffer jackets, use the special wash cycle number **12**. We recommend that duvets are placed in the drum with their edges folded inwards (see figure) and that no more than $\frac{3}{4}$ of the total volume of the drum is used. To achieve the best results, we recommend that a liquid detergent is used and placed inside the detergent dispenser drawer.



Wool: all wool garments can be washed using programme **13**, even those carrying the "hand-wash only"  label. For best results, use special detergents and do not exceed 1,5 kg of laundry.

Silk: use special wash cycle **14** to wash all silk garments. We recommend the use of special detergent which has been designed to wash delicate clothes.

Curtains: fold curtains and place them in a pillow case or mesh bag. Use wash cycle **14**.

Load balancing system

Before every spin cycle, to avoid excessive vibrations and to distribute the load in a uniform manner, the drum rotates continuously at a speed which is slightly greater than the washing rotation speed. If, after several attempts, the load is not balanced correctly, the machine spins at a reduced spin speed. If the load is excessively unbalanced, the washing machine performs the distribution process instead of spinning. To encourage improved load distribution and balance, we recommend small and large garments are mixed in the load.

Your washing machine could fail to work. Before contacting the Technical Assistance Centre (see "Assistance"), make sure that the problem cannot be not solved easily using the following list.

Problem:**Possible causes / Solutions:**

The washing machine does not switch on.

- The appliance is not plugged into the socket fully, or is not making contact.
- There is no power in the house.

The wash cycle does not start.

- The washing machine door is not closed properly.
- The ON/OFF button has not been pressed.
- The START/PAUSE button has not been pressed.
- The water tap has not been opened.
- A delayed start has been set (see "Personalisation").

The washing machine does not take in water ("H2O" will flash on the display).

- The water inlet hose is not connected to the tap.
- The hose is bent.
- The water tap has not been opened.
- There is no water supply in the house.
- The pressure is too low.
- The START/PAUSE button has not been pressed.

The washing machine continuously takes in and drains water.

- The drain hose is not fitted at a height between 65 and 100 cm from the floor (see "Installation").
- The free end of the hose is under water (see "Installation").
- The wall drainage system is not fitted with a breather pipe.

If the problem persists even after these checks, turn off the water tap, switch the appliance off and contact the Assistance Service. If the dwelling is on one of the upper floors of a building, there may be problems relating to water drainage, causing the washing machine to fill with water and drain continuously. Special anti-draining valves are available in shops and help to avoid this inconvenience.

The washing machine does not drain or spin.

- The wash cycle does not include draining: some wash cycles require the drain phase to be started manually.
- The drain hose is bent (see "Installation").
- The drainage duct is clogged.

The washing machine vibrates a lot during the spin cycle.

- The drum was not unlocked correctly during installation (see "Installation").
- The washing machine is not level (see "Installation").
- The washing machine is trapped between cabinets and walls (see "Installation").

The washing machine leaks.

- The water inlet hose is not screwed on properly (see "Installation").
- The detergent dispenser drawer is blocked (for cleaning instructions, see "Care and maintenance").
- The drain hose is not fixed properly (see "Installation").

The "function" indicator lights and the "start/pause" indicator light flash, while one of the "phase in progress" indicator lights and the "door locked" indicator light will remain lit in a fixed manner.

- Switch off the machine and unplug it, wait for approximately 1 minute and then switch it back on again.
If the problem persists, contact the Technical Assistance Service.

There is too much foam.

- The detergent is not suitable for machine washing (it should display the text "for washing machines" or "hand and machine wash", or the like).
- Too much detergent was used.

Service

GB

Before calling for Assistance:

- Check whether you can solve the problem alone (see "Troubleshooting");
- Restart the programme to check whether the problem has been solved;
- If this is not the case, contact an authorised Technical Assistance Centre using the telephone number provided on the guarantee certificate.

! Always request the assistance of authorised technicians.

Have the following information to hand:

- the type of problem;
- the appliance model (Mod.);
- the serial number (S/N).

This information can be found on the data plate applied to the rear of the washing machine, and can also be found on the front of the appliance by opening the door.

| COMMISSION DELEGATED REGULATION (EU) No 1061/2010 | |
|--|----------------|
| Brand | INDESIT |
| Model | EWD 61052 W EU |
| Rated capacity in kg of cotton | 6 |
| Energy efficiency class on a scale from A+++ (low consumption) to G (high consumption) | A++ |
| Energy consumption per year in kWh ¹⁾ | 173 |
| Energy consumption of the standard 60 °C cotton programme at full load in kWh ²⁾ | 0.932 |
| Energy consumption of the standard 60 °C cotton programme at partial load in kWh ²⁾ | 0.67 |
| Energy consumption of the standard 40 °C cotton programme at partial load in kWh ²⁾ | 0.592 |
| Power consumption of the off-mode in W | 0.5 |
| Power consumption of the left-on mode in W | 8 |
| Water consumption per year in litres ³⁾ | 8400 |
| Spin-drying efficacy class on a scale from G (minimum efficacy) to A (maximum efficacy) | C |
| Maximum spin speed attained ⁴⁾ | 1000 |
| Remaining moisture content ⁵⁾ | 62.0% |
| Programme time of the "standard 60 °C cotton" at full load in minutes | 190 |
| Programme time of the "standard 60 °C cotton" at partial load in minutes | 150 |
| Programme time of the "standard 40°C cotton" at partial load in minutes | 145 |
| Duration of the left-on mode in minutes | 30 |
| Noise in dB(A) re 1 pW washing ⁶⁾ | 62 |
| Noise in dB(A) re 1 pW spinning ⁶⁾ | 80 |
| Built-in model | |

¹⁾ The "standard 60°C cotton" at full and partial load and the "standard 40°C cotton" at partial load are the standard washing programmes to which the information in the label and the fiche relates. Standard 60°C cotton and standard 40°C cotton are suitable to clean normally soiled cotton laundry and are the most efficient programmes in terms of combined energy and water consumption. Partial load is half the rated load.

²⁾ Based on 220 standard washing cycles for cotton programmes at 60°C and 40°C at full and partial load, and the consumption of the low-power modes. Actual energy consumption will depend on how the appliance is used.

³⁾ Based on 220 standard washing cycles for cotton programmes at 60°C and 40°C at full and partial load. Actual water consumption will depend on how the appliance is used.

⁴⁾ For the standard 60 °C at full and partial load or the 40°C at partial whichever is lower.

⁵⁾ Attained for 60 °C cotton at full and partial load or the 40°C at partial whichever is higher.

⁶⁾ Based on washing and spinning phases for the standard 60°C cotton programme at full load.

DE

Deutsch

EWD 61052

INHALTSVERZEICHNIS

Installation 14-15

Auspacken und Aufstellen
Wasser- und Elektroanschlüsse
Erster Waschgang
Technische Daten

Reinigung und Pflege 16

Abstellen der Wasser- und Stromversorgung
Reinigung des Gerätes
Reinigung der Waschmittelschublade
Pflege der Gerätetür und Trommel
Reinigung der Pumpe
Kontrolle des Wasserzulaufschlauchs

Vorsichtsmaßnahmen und Hinweise 17

Allgemeine Sicherheit
Entsorgung

Beschreibung des Waschvollautomaten und Starten eines Waschprogramms 18-19

Bedienblende
Kontrollleuchten
Starten eines Waschprogramms

Waschprogramme, 20

Programmtabelle
Schnelle Tageszyklen

Personalisierungen 21

Temperatureinstellung
Schleudereinstellung
Funktionen

Waschmittel und Wäsche 22

Waschmittelschublade
Vorsortieren der Wäsche
Besondere Wäscheteile
Unwuchtkontrollsystem

Störungen und Abhilfe 23

Kundendienst 24

Installation

DE

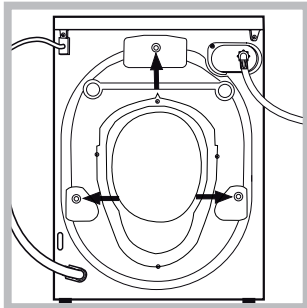
! Es ist äußerst wichtig, diese Bedienungsanleitung sorgfältig aufzubewahren, um sie jederzeit zu Rate ziehen zu können. Sorgen Sie dafür, dass sie im Falle eines Umzugs oder einer Übergabe an einen anderen Benutzer das Gerät stets begleitet, damit auch der neue Inhaber die Möglichkeit hat, diese zu Rate zu ziehen.

! Lesen Sie die Hinweise bitte aufmerksam durch, sie liefern wichtige Informationen hinsichtlich der Installation, des Gebrauchs und der Sicherheit.

Auspacken und Aufstellen

Auspacken

1. Gerät auspacken.
2. Sicherstellen, dass der Waschvollautomat keine Transportschäden erlitten hat. Im Falle einer Beschädigung Gerät bitte nicht anschließen, sondern den Kundendienst anfordern.

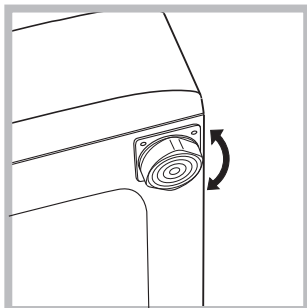


3. Die **3** Transportschutzschrauben herausschrauben und die an der Geräterückwand befindlichen Distanzstücke aus Gummi entfernen (siehe Abbildung).

4. Die Öffnungen mittels der mitgelieferten Abdeckungen verschliessen.
5. Sämtliche Teile aufbewahren: Sollte der Waschautomat erneut transportiert werden, müssen diese Teile wieder eingesetzt werden.
! Verpackungsmaterial ist kein Spielzeug für Kinder.

Nivellierung

1. Der Waschvollautomat muss auf einem ebenen, festen, schwingungsfreien Untergrund aufgestellt werden ohne diesen an Wände, Möbel etc. direkt anzulehnen.



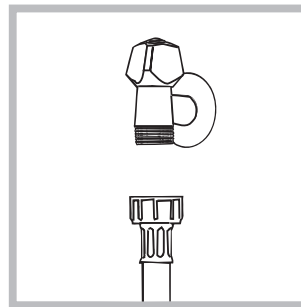
2. Sollte der Boden nicht perfekt eben sein, müssen die Unebenheiten durch An- bzw. Ausdrehen der vorderen Stellfüße ausgeglichen werden (siehe Abbildung), der auf der Arbeitsfläche zu ermittelnde Neigungsgrad darf 2°

nicht überschreiten.

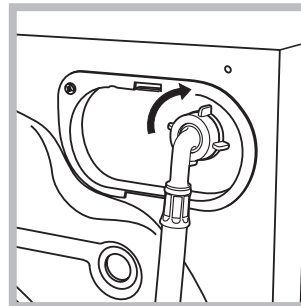
Eine präzise Nivellierung verleiht dem Gerät die erforderliche Stabilität, durch die Vibrationen, Betriebsgeräusche und ein Verrücken des Gerätes vermieden werden. Bei Teppichböden müssen die Stellfüße so reguliert werden, dass ein ausreichender Freiraum zur Belüftung unter dem Waschvollautomaten gewährleistet ist.

Wasser- und Elektroanschlüsse

Anschluss des Zulaufschlauches



1. Schrauben Sie den Wasserschlauch an einen Kaltwasserhahn mit $\frac{3}{4}$ -GAS-Gewindeanschluss an (siehe Abb.). Lassen Sie das Wasser vor dem Anschluss so lange auslaufen, bis klares Wasser austritt.



2. Das andere Ende des Schlauches an den oben rechts am Rückteil des Waschvollautomaten befindlichen Wasseranschluss anschließen (siehe Abbildung).

3. Der Schlauch darf hierbei nicht eingeklemmt oder abgeknickt werden.

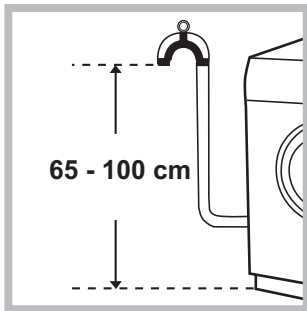
! Der Wasserdruck muss innerhalb der Werte liegen, die in der Tabelle der technischen Daten angegeben sind (siehe nebenstehende Seite).

! Sollte der Zulaufschlauch nicht lang genug sein, dann wenden Sie sich bitte an einen Fachhändler oder an einen autorisierten Fachmann.

! Verwenden Sie niemals bereits gebrauchte Schläuche.

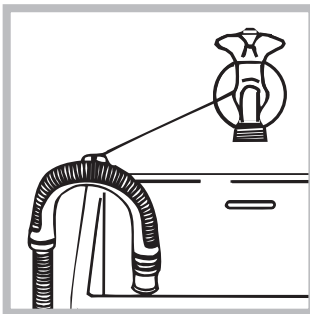
! Verwenden Sie die Schläuche, die mit dem Gerät geliefert wurden.

Anschluss des Ablaufschlauches



Schließen Sie den Ablaufschlauch ohne ihn dabei abzuknicken an einen geeigneten Abfluss an. Die Mindestablaufhöhe beträgt 65 - 100 cm (gemessen vom Boden), oder hängen Sie diesen mittels des Schlauchhalters gesichert in

ein Becken oder Wanne ein;



Befestigen Sie diesen mittels des mitgelieferten Schlauchhalters z.B. an einen Wasserhahn (siehe Abbildung). Das freie Ablaufschlauchende darf nicht unter Wasser positioniert werden.

! Verlängerungsschläuche sollten nicht eingesetzt werden. Sollte dies unvermeidlich sein, muss die Verlängerung denselben Durchmesser des Originalschlauchs aufweisen und darf eine Länge von 150 cm nicht überschreiten.

Stromanschluss

Vor Einfügen des Netzsteckers in die Steckdose ist sicherzustellen, dass:

- die Steckdose über eine normgerechte Erdung verfügt;
- die Steckdose die in den Technischen Daten angegebenen Höchstlast des Gerätes trägt (siehe *nebenstehende Tabelle*);
- die Stromspannung den in den Technischen Daten angegebenen Werten entspricht (siehe *nebenstehende Tabelle*);
- die Steckdose mit dem Netzstecker des Waschvollautomaten kompatibel ist. Andernfalls muss der Netzstecker (oder die Steckdose) ersetzt werden.

! Der Waschvollautomat darf nicht im Freien installiert werden, auch nicht, wenn es sich um einen geschützten Platz handelt. Es ist gefährlich, das Gerät Gewittern und Unwettern auszusetzen.

! Die Steckdose sollte nach installiertem Gerät leicht zugänglich sein.

! Verwenden Sie bitte keine Verlängerungen oder Mehrfachstecker.

! Das Netzkabel darf nicht gebogen bzw. eingeklemmt werden.

! Das Versorgungskabel darf nur durch autorisierte Fachkräfte ausgetauscht werden.

Achtung! Der Hersteller übernimmt keinerlei Haftung, sollten diese Vorschriften nicht genau beachtet werden.

Erster Waschgang

Lassen Sie nach der Installation bzw. vor erstmaligem Gebrauch erst einen Waschgang (mit Waschmittel) ohne Wäsche durchlaufen. Stellen Sie hierzu das Waschprogramm **2** ein.

Technische Daten

| | |
|--|--|
| Modell | EWD 61052 |
| Abmessungen | Breite 59,5 cm Höhe 85 cm Tiefe 51,7 cm |
| Fassungsvermögen | 1 bis 6 kg |
| Elektroanschlüsse | siehe das am Gerät befindliche Typenschild |
| Wasseranschlüsse | Höchstdruck 1 MPa (10 bar) Mindestdruck 0,05 MPa (0,5 bar) Trommelvolumen 46 Liter |
| Schleudertouren | bis zu 1000 U/min. |
| Prüfprogramme gemäß der Richtlinien 1061/2010 und 1015/2010 | Programm 15: Eco Baumwolle 60°C. Programm 15: Eco Baumwolle 40°C. |



Dieses Gerät entspricht den folgenden EG-Richtlinien:
- 2004/108/CE (elektromagnetische Verträglichkeit) und nachfolgenden Änderungen
- 2012/19/EU - WEEE
- 2006/95/CE (Niederspannung)

Reinigung und Pflege

DE

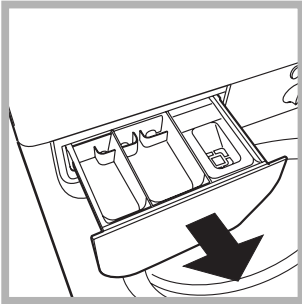
Abstellen der Wasser- und Stromversorgung

- Drehen Sie den Wasserhahn nach jedem Waschvorgang zu. Hierdurch wird der Verschleiß der Wasseranlage verringert und Wasserlecks vorgebeugt.
- Ziehen Sie den Netzstecker aus der Steckdose, bevor Sie Ihren Waschvollautomaten reinigen.

Reinigung des Gerätes

Die Gehäuseteile und die Teile aus Gummi können mit einem mit warmer Spülmittellauge angefeuchteten Tuch gereinigt werden. Vermeiden Sie Löse- und Scheuermittel

Reinigung der Waschmittelschublade



Heben Sie die Schublade leicht an und ziehen Sie sie nach vorne hin heraus (siehe Abbildung). Spülen Sie sie regelmäßig unter fließendem Wasser gründlich aus.

Pflege der Gerätetür und Trommel

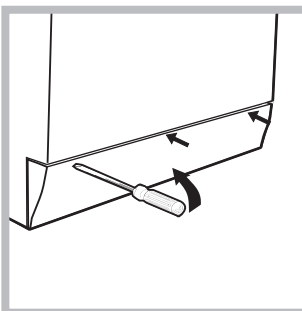
- Lassen Sie die Gerätetür stets leicht offen stehen, um die Bildung unangenehmer Gerüche zu vermeiden.

Reinigung der Pumpe

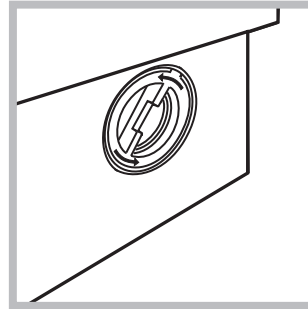
Ihr Gerät ist mit einer selbstreinigenden Pumpe ausgerüstet, eine Wartung ist demnach nicht erforderlich. Es könnte jedoch vorkommen, dass kleine Gegenstände (Münzen, Knöpfe) in die zum Schutz der Pumpe dienende Vorkammer (befindlich unter der Pumpe) fallen.

! Vergewissern Sie sich, dass der Waschgang abgeschlossen ist und ziehen Sie den Netzstecker heraus.

Zugang zur Vorkammer:



1. Nehmen Sie die Abdeckung (befindlich an der Gerätefront) mit Hilfe eines Schraubenziehers ab (siehe Abbildung);



2. Drehen Sie den Deckel gegen den Uhrzeigersinn ab (siehe Abbildung); es ist ganz normal, wenn etwas Wasser austritt;

3. Reinigen Sie das Innere gründlich;
4. Schrauben Sie den Deckel wieder auf;
5. Bringen Sie die Abdeckung wieder an. Stellen Sie hierbei sicher, dass die Haken in die Schlitze eingreifen, bevor Sie die Abdeckung fest andrücken.

Kontrolle des Wasserzulaufschlauchs

Kontrollieren Sie den Zulaufschlauch mindestens einmal im Jahr. Weist er Risse bzw. Brüche auf, muss er ausgetauscht werden. Der starke Druck während des Waschprogramms könnte zu plötzlichem Platzen führen.

! Verwenden Sie niemals bereits gebrauchte Schläuche.

! Der Waschvollautomat wurde nach den strengsten internationalen Sicherheitsvorschriften entworfen und gebaut. Nachstehende Hinweise werden aus Sicherheitsgründen geliefert und sollten aufmerksam gelesen werden.

Allgemeine Sicherheit

- Dieses Gerät wurde ausschließlich für den Einsatz im privaten Haushalt konzipiert.
- Dieses Gerät darf von Kindern ab 8 Jahren und von Personen mit eingeschränkten körperlichen, sensorischen oder geistigen Fähigkeiten oder mit unzureichender Erfahrung und Kenntnis verwendet werden, vorausgesetzt, sie werden überwacht oder sie haben eine ausreichende Einweisung in die sichere Nutzung des Geräts erhalten und haben die damit verbundenen Gefahren verstanden. Erlauben Sie Kindern nicht, mit dem Gerät zu spielen. Wartung und Reinigung dürfen nicht von unbeaufsichtigten Kindern ausgeführt werden.
- Der Waschvollautomat darf nur von Erwachsenen und gemäß den Anleitungen dieses Handbuchs bedient werden.
- Berühren Sie das Gerät nicht, wenn Sie barfuß sind, und auch nicht mit nassen oder feuchten Händen oder Füßen.
- Ziehen Sie den Gerätestecker nicht am Kabel aus der Steckdose, sondern nur am Netzstecker selbst.
- Öffnen Sie die Waschmittelschublade nicht, wenn das Gerät in Betrieb ist.
- Berühren Sie nicht das Ablaufwasser, es könnte sehr heiß sein.
- Öffnen Sie die Gerätetür nicht mit Gewalt: Der Sicherheits-Schließmechanismus könnte hierdurch beschädigt werden.
- Bei etwaigen Störungen versuchen Sie bitte nicht, Innenteile selbst zu reparieren.
- Halten Sie Kinder stets von dem in Betrieb befindlichen Gerät fern.
- Während des Waschganges kann die Gerätetür sehr heiß werden.
- Muss das Gerät versetzt werden, sollten hierfür zwei oder drei Personen verfügbar sein. Versetzen Sie es niemals allein, das Gerät ist äußerst schwer.
- Bevor Sie die Wäsche einfüllen, stellen Sie bitte sicher, dass die Wäschetrommel leer ist.

Entsorgung

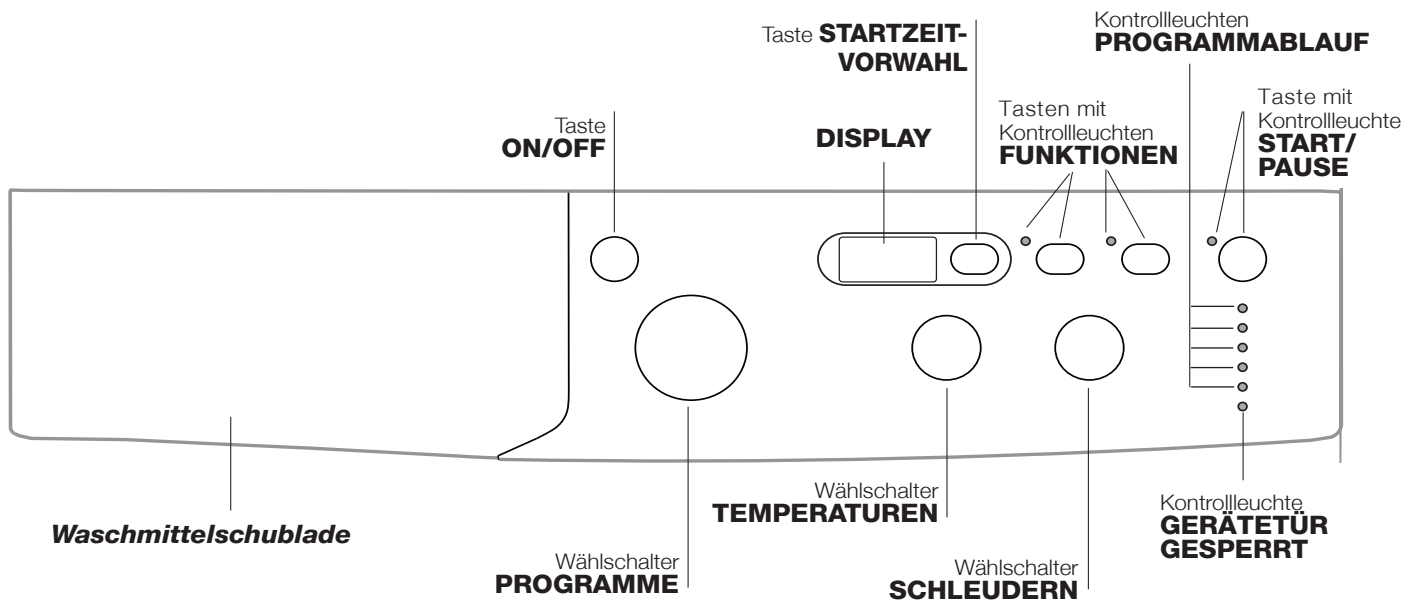
- Entsorgung des Verpackungsmaterials: Befolgen Sie die lokalen Vorschriften, Verpackungsmaterial kann wiederverwertet werden.
- Gemäß der Europäischen Richtlinie 2012/19/EU - WEEE über Elektro- und Elektronik-Altgeräte dürfen Elektrohaushalts-Altgeräte nicht über den herkömmlichen Haushaltsmüllkreislauf entsorgt werden. Altgeräte müssen separat gesammelt werden, um die Wiederverwertung und das

Recycling der beinhalteten Materialien zu optimieren und die Einflüsse auf die Umwelt und die Gesundheit zu reduzieren. Das Symbol „durchgestrichene Mülltonne“ auf jedem Produkt erinnert Sie an Ihre Verpflichtung, dass Elektrohaushaltsgeräte gesondert entsorgt werden müssen. Endverbraucher können sich an Abfallämter der Gemeinden wenden, um mehr Informationen über die korrekte Entsorgung ihrer Elektrohaushaltsgeräte zu erhalten.

Beschreibung des Waschvollautomaten und Starten eines Waschprogramms

DE

Bedienblende



Waschmittelschublade: für Waschmittel und Zusätze (siehe „Waschmittel und Wäsche“).

Taste **ON/OFF:** Zum Ein- und Ausschalten Ihres Waschvollautomaten.

Wählschalter **PROGRAMME:** Zur Wahl der Waschprogramme. Während des Programmablaufs bleibt der Schalter feststehend.

Tasten mit Kontrollleuchten **FUNKTIONEN:** Zur Einstellung der verfügbaren Funktionen. Die der gewählten Einstellung entsprechende Kontrollleuchte bleibt eingeschaltet.

Wählschalter **SCHLEUDERN:** oder um das Schleudern auszuschliessen (siehe „Personalisierungen“).

Wählschalter **TEMPERATUREN:** Zur Einstellung der Wassertemperatur oder einer Kaltwäsche (siehe „Personalisierungen“).

DISPLAY: zur Anzeige der Dauer der verschiedenen verfügbaren Programme sowie der Restzeit nach Zyklusstart; wurde eine STARTZEITVORWAHL eingestellt, dann wird die bis zum Start des ausgewählten Programms verbleibende Zeit angezeigt.


Taste **STARTZEITVORWAHL** : Zur Vorwahl der Startzeit des gewählten Programms drücken Sie bitte diese Taste; Der Wert wird auf dem Display angezeigt.

Kontrollleuchten **PROGRAMMABLAUF:** Zur Kontrolle des Waschprogrammablaufs.

Die eingeschaltete Kontrollleuchte zeigt die laufende Programmphase an.

Kontrollleuchte **GERÄTETÜR GESPERRT:** Diese Taste zeigt an, ob die Gerätetür geöffnet werden kann oder nicht (siehe Nebenseite).

Taste mit Kontrollleuchte **START/PAUSE:** Mittels dieser Taste werden die Waschprogramme gestartet oder kurz unterbrochen.

NB: Durch Drücken dieser Taste, kann das Waschprogramm zeitweilig unterbrochen werden (Pause). Die entsprechende Kontrollleuchte schaltet auf orangefarbenes Blinklicht, die Kontrollleuchte der bestehenden Programmphase dagegen schaltet auf Dauerlicht. Sobald die Kontrollleuchte GERÄTETÜR GESPERRT  erlischt, kann die Gerätetür geöffnet werden (etwa 3 Minuten).

Um das Programm an der Stelle, an der es unterbrochen wurde, wieder in Gang zu setzen, drücken Sie diese Taste erneut.

Funktion Standby

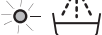


Zur Erfüllung der neuen Richtlinien zum Energieverbrauch ist diese Waschmaschine mit einem automatischen Ausschaltsystem (Standby) ausgestattet, das nach 30 Minuten des Nichtgebrauchs in Funktion tritt. Drücken Sie kurz die Taste EIN-AUS und warten Sie, bis sich die Maschine wieder einschaltet.

Kontrollleuchten

Die Kontrollleuchten liefern wichtige Hinweise. Sie signalisieren:

Laufende Programmphase

Wurde das Waschprogramm gewählt und gestartet, leuchten die Kontrollleuchten nach und nach auf, und zeigen so den jeweiligen Programmstand an.

| | |
|----------------------|---|
| Hauptwäsche | ○  |
| Spülen | ○  |
| Schleudern | ○  |
| Abpumpen | ○  |
| Ende des Waschganges | ○ END |


Funktionstasten und entsprechende Kontrollleuchten

Nach der Wahl einer Funktion leuchtet die entsprechende Taste auf. Ist die gewählte Funktion nicht vereinbar mit dem eingestellten Programm, schaltet die entsprechende Kontrollleuchte auf Blinklicht und die Funktion wird nicht aktiviert. Ist die gewählte Funktion mit einer anderen bereits eingestellten nicht kompatibel, schaltet die der ersten Funktion entsprechende Kontrollleuchte auf Blinklicht und nur die zweite Funktion wird aktiviert, die Kontrollleuchte der aktivierten Funktion schaltet auf Dauerlicht.

Kontrollleuchte Gerätetür gesperrt:

Ist diese Kontrollleuchte eingeschaltet, bedeutet dies, dass das Bullauge gesperrt ist; warten Sie, bis die Leuchte erlischt, um das Bullauge zu öffnen (etwa 3 Minuten). Um während eines laufenden Programms das Bullauge zu öffnen, drücken Sie die Taste START/PAUSE; ist die der GERÄTETÜR GESPERRT entsprechende Kontrollleuchte ausgeschaltet, kann das Bullauge geöffnet werden.

Starten eines Waschprogramms

1. Schalten Sie den Waschvollautomaten durch Drücken der ON/OFF-Taste ein. Sämtliche Kontrollleuchten leuchten für einige Sekunden auf, und erlöschen wieder. Die Kontrollleuchte START/PAUSE schaltet auf Blinklicht.
2. Füllen Sie die Wäsche ein, und schließen Sie die Gerätetür.
3. Stellen Sie mittels des Wählschalters PROGRAMME das gewünschte Programm ein.
4. Stellen Sie die Waschtemperatur ein (siehe „Personalisierungen“).
5. Stellen Sie die Schleuderstufe ein (siehe „Personalisierungen“).
6. Füllen Sie Waschmittel und Zusätze ein (siehe „Waschmittel und Wäsche“).
7. Wählen Sie die gewünschten Funktionen.
8. Setzen Sie das Programm in Gang. Drücken Sie hierzu die Taste START/PAUSE. Die entsprechende Kontrollleuchte bleibt eingeschaltet (grünes Dauerlicht). Um die Waschprogramm-Einstellung rückgängig zu machen, muss das Gerät auf Pause geschaltet werden. Drücken Sie hierzu die Taste START/PAUSE. Wählen Sie daraufhin das neue Programm.
9. Nach Ablauf des Waschprogramms leuchtet die Kontrollleuchte **END** auf. Sobald die Kontrollleuchte GERÄTETÜR GESPERRT  erlischt, kann das Bullauge geöffnet werden (etwa 3 Minuten). Nehmen Sie die Wäsche aus der Maschine und lassen Sie die Gerätetür leicht offen stehen, damit die Trommel trocknen kann. Schalten Sie den Waschvollautomaten durch Drücken der ON/OFF-Taste aus.

Waschprogramme

DE

Programmtabelle

| Wasch-programme | Beschreibung des Programms | Max. Temp. (C°) | Max. Schleuder Geschwindigkeit (U/min) | Waschmittel | | | Max. Beladungsmenge (kg) | Restfeuchtigkeit % | Energieverbrauch kWh | Wasser gesamt lt | Programmdauer |
|------------------------|---|-------------------|--|-------------|-------------|-------------|--------------------------|--------------------|----------------------|------------------|---------------|
| | | | | Vorwäsche | Hauptwäsche | Weichspüler | | | | | |
| TÄGLICH SCHNELL | | | | | | | | | | | |
| 1 | Buntwäsche 59' | 40° | 1000 | - | ● | ● | 6 | - | - | - | 59' |
| 2 | Baumwolle 59' | 60° | 1000 | - | ● | ● | 6 | - | - | - | 59' |
| 3 | Baumwolle 45' | 40° | 1000 | - | ● | ● | 3 | - | - | - | 45' |
| 4 | Synthetik 59' (3) | 40° (Max. 60°) | 1000 | - | ● | ● | 3 | 44 | 0,50 | 39 | 59' |
| 5 | Mix 30' | 30° | 800 | - | ● | ● | 3 | 70 | 0,17 | 31 | 30' |
| 6 | Express 20' | 20° | 800 | - | ● | ● | 3 | - | - | - | 20' |
| Spezial | | | | | | | | | | | |
| 7 | Sportwäsche | 40° | 600 | - | ● | ● | 3 | - | - | - | ** |
| 8 | Sportschuhe | 30° | 600 | - | ● | ● | Max. 2 Paar | - | - | - | ** |
| 9 | Baby | 40° | 800 | - | ● | ● | 2 | - | - | - | ** |
| 10 | Spülen | - | 1000 | - | - | ● | 6 | - | - | - | ** |
| 11 | Schleudern + Abpumpen | - | 1000 | - | - | - | 6 | - | - | - | ** |
| 11 | Nur abpumpen * | - | ⊘ | - | - | - | 6 | - | - | - | ** |
| Extra | | | | | | | | | | | |
| 12 | Daunen: wäsche- bzw. Kleidungsstücke mit Daunenfüllung. | 30° | 1000 | - | ● | ● | 1,5 | - | - | - | ** |
| 13 | Wolle: wolle, Kaschmir usw. | 40° | 800 | - | ● | ● | 1,5 | - | - | - | ** |
| 14 | Seide+Vorhänge: Kleidungsstücke aus Seide, Viskose und Feinwäsche. | 30° | 0 | - | ● | ● | 1 | - | - | - | ** |
| 15 | Eco Baumwolle 60° (1): stark verschmutzte Weiß- und farbechte Buntwäsche. | 60° | 1000 | - | ● | ● | 6 | 62 | 0,91 | 50,0 | 190' |
| 15 | Eco Baumwolle 40° (2): leicht verschmutzte Weiß- und empfindliche Buntwäsche. | 40° | 1000 | - | ● | ● | 6 | 62 | 0,85 | 76 | 170' |
| 16 | Baumwolle Vorwäsche: stark verschmutzte Kochwäsche. | 90° | 1000 | ● | ● | ● | 6 | - | - | - | ** |

* Bei Auswahl des Programms 11 und Ausschluss der Schleuder, führt die Maschine nur den abpumpen aus.

** Die Programmdauer kann auf dem Display abgelesen werden.

Die auf dem Display und in der Bedienungsanleitung genannte Zyklusdauer wird ausgehend von Standardbedingungen berechnet. Die effektiv benötigte Zeit kann aufgrund zahlreicher Faktoren wie Temperatur und Druck des Zulaufwassers, Raumtemperatur, Waschmittelmenge, Art, Menge und Verteilung der Waschlading sowie der gewählten Zusatzfunktionen variieren.

1) Prüfprogramm gemäß 1061/2010: Programm 15 und eine Temperatur von 60°C einstellen.

Dieser Zyklus ist für den Waschvorgang von normal schmutziger Baumwollwäsche geeignet; es ist der wirksamste in Bezug auf den kombinierten Energie-Wasser-Verbrauch; für bei 60°C zu waschende Wäsche zu verwenden. Die effektive Waschttemperatur kann von der angegebenen abweichen.

2) Prüfprogramm gemäß 1061/2010: Programm 15 und eine Temperatur von 40°C einstellen.

Dieser Zyklus ist für den Waschvorgang von normal schmutziger Baumwollwäsche geeignet; es ist der wirksamste in Bezug auf den kombinierten Energie-Wasser-Verbrauch; für bei 40°C zu waschende Wäsche zu verwenden. Die effektive Waschttemperatur kann von der angegebenen abweichen.

Für alle Testinstitute:

2) Langes Baumwollprogramm: Programm 15 und eine Temperatur von 40°C einstellen.

3) Programm Kunstfasern lang: das Programm 4 einstellen, dann die Option "Extra Wash ✱" auswählen.

Schnelle Tageszyklen

Ein komplettes Set schneller Programme für die Wäsche der täglichen Verschmutzung in weniger als 1 Stunde der meist gebrauchten Fasern auch bei voller Waschlading.

Buntwäsche 59': zum Waschen von Mischwäsche und Buntwäsche zusammen.

Baumwolle 59': spezieller Zyklus für überwiegend weiße Baumwolle. Kann auch mit Waschmittel in Pulverform verwendet werden.

Baumwolle 45': kurzer Zyklus für Baumwoll-Feinwäsche.

Synthetik 59': spezifisch für die Wäsche von Kunstfasern. Bei hartnäckigerer Verschmutzung kann die Temperatur bis 60° erhöht werden und man kann ein Waschmittel in Pulverform verwenden.

Mix 30': kurzer Zyklus für gemischte Wäsche aus Baumwolle und Kunstfaser, weiß und bunt zusammen.

Express 20': das Programm frisch ihre Wäsche auf und verleiht ihr einen frischen Duft in nur 20 Minuten.

Temperatureinstellung

Drehen Sie den Wählschalter TEMPERATUREN, um die Waschtemperatur einzustellen (siehe *Programmtabelle*).

Die Temperatur kann bis auf Kaltwäsche ❄️ herabgesetzt werden.

Der Waschvollautomat verhindert automatisch die Einstellung einer höheren Schleuderstufe, sollte diese die für das jeweilige Programm vorgeschriebene Höchstgeschwindigkeit übersteigen.

! Ausnahme: Wird das Waschprogramm **4** eingestellt, kann die Temperatur bis auf 60° erhöht werden.

Schleudereinstellung

Durch Drehen des Wählschalters SCHLEUDER wird die Schleudergeschwindigkeit des gewählten Waschprogramms eingestellt. Folgende Höchstgeschwindigkeiten sind für die einzelnen Programme vorgesehen:

| Waschprogramme | Höchstgeschwindigkeit |
|----------------|-----------------------|
| Baumwolle | 1000 U/min |
| Synthetik | 1000 U/min |
| Wolle | 800 U/min |
| Seide | nur Wasserablauf |

Die Schleudergeschwindigkeit kann herabgesetzt werden. Durch Wahl des Symbols ⓧ kann die Schleuder gänzlich ausgeschlossen werden.

Der Waschvollautomat verhindert automatisch ein stärkeres Schleudern, sollte dieses die für das jeweilige Programm vorgeschriebene Höchstgeschwindigkeit übersteigen.

Funktionen

Die verschiedenen Waschfunktionen, die Ihnen Ihr Waschvollautomat bietet, ermöglichen es Ihnen, hygienisch saubere und weiße Wäsche zu erhalten, die Ihren Wünschen entspricht.

Aktivierung der Funktionen:

1. Drücken Sie die Taste, die der gewünschten Funktion entspricht.
2. Das Aufleuchten der entsprechenden Kontrollleuchte zeigt an, dass die Funktion aktiviert wurde.

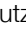
Anmerkung:

- Ist die gewählte Funktion nicht vereinbar mit dem eingestellten Programm, schaltet die entsprechende Kontrollleuchte auf Blinklicht und die Funktion wird nicht aktiviert.
- Ist die gewählte Funktion mit einer anderen bereits eingestellten nicht kompatibel, schaltet die der ersten Funktion entsprechende Kontrollleuchte auf Blinklicht und nur die zweite Funktion wird aktiviert, die Kontrollleuchte der aktivierten Funktion schaltet auf Dauerlicht.


Startzeitvorwahl

Zur Vorwahl der Startzeit des eingestellten Programms drücken Sie die entsprechende Taste, bis die gewünschte Zeitverzögerung angezeigt wird. Wenn diese Option aktiv ist, dann schaltet sich auf dem Display das Symbol ⌚ ein. Um eine programmierte Startzeit zu löschen, drücken Sie die Taste, bis auf dem Display die Anzeige "OFF" erscheint.

Extra Wash

Für stark verschmutzte Wäsche kann die Option Extra Wash  aktiviert werden, wenn kompatibel. Mit dieser Option passt der Zyklus automatisch alle Waschparameter an, indem er zu einem längeren Zyklus wechselt. Die Option verändert die Temperatur nicht, aber der Schleudergang wird automatisch auf die maximale Geschwindigkeit eingestellt. Der Anwender kann jedoch die Geschwindigkeit der Schleuder nach eigenen Wünschen einstellen.

Energy Saver

Mit der Option  Energy Saver können Sie Baumwolle und Kunstfasern zusammen waschen. Damit sparen Sie Energie und helfen somit der Umwelt. Der Waschgang wird mit kaltem Wasser aber einer stärkeren mechanischen Aktion und einer optimierten Wassermenge ausgeführt. Damit werden die üblichen Waschergebnisse bei deutlich geringerem Stromverbrauch erzielt. Der Zyklus ist für wenig verschmutzte Wäsche bestimmt. Es empfiehlt sich der Einsatz von Flüssigwaschmittel.

Waschmittel und Wäsche

DE

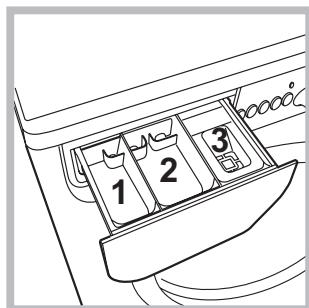
Waschmittel und Wäsche

Ein gutes Waschergebnis hängt auch von einer korrekten Waschmitteldosierung ab: Eine zu hohe Dosierung bedeutet nicht unbedingt reinere Wäsche, sie trägt nur dazu bei, die Maschineninnenteile zu verkrusten und die Umwelt zu belasten.

! Verwenden Sie keine Handwaschmittel, sie verursachen eine zu hohe Schaumbildung.

! Waschmittel in Pulverform für Baumwollweißwäsche, für die Vorwäsche und für Waschprogramme bei Temperaturen über 60°C verwenden.

! Bitte befolgen Sie den auf der Waschmittelverpackung angegebenen Anweisungen.



Schublade herausziehen und Waschmittel oder Zusätze wie folgt einfüllen:

In Kammer 1: Waschpulver für die Vorwäsche (Waschpulver)

In Kammer 2: Waschmittel für die Hauptwäsche (Waschpulver oder Flüssigwaschmittel)

Flüssigwaschmittel nur kurz vor dem Start einfüllen.

In Kammer 3: Zusätze (Weichspüler usw.)

Der Weichspüler darf das Gitter nicht übersteigen.

Hinweis: Bei der Verwendung von "Tabs" halten Sie sich immer an die Hinweise des Herstellers.

Vorsortieren der Wäsche

- Sortieren Sie die Wäsche nach:
 - Gewebeat / Waschetikettensymbol.
 - und Farben: Buntwäsche von Weißwäsche trennen.
- Entleeren Sie alle Taschen.
- Das in der „*Programmtabelle*“ angegebene Gewicht, beschreibt die maximale Ladung Trockenwäsche und darf nicht überschritten werden.

Wie schwer ist Wäsche?

- 1 Betttuch 400-500 gr
- 1 Kissenbezug 150-200 gr
- 1 Tischdecke 400-500 gr
- 1 Bademantel 900-1.200 gr
- 1 Handtuch 150-250 gr

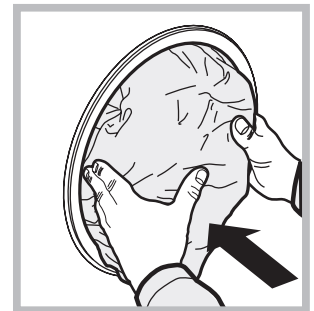
Besondere Wäscheteile

Sportwäsche: dieser Zyklus ist speziell für die schonende Reinigung von Sportkleidung zusammen mit dem Handtuch (beachten Sie die Angaben auf dem Etikett der Wäschestücke).

Sportschuhe: ist speziell für das Waschen von Sportschuhen; für beste Resultate waschen Sie nicht mehr als 2 Paar. Binden Sie die Schnürsenkel, bevor sie die Schuhe in die Maschine geben.

Baby: spezieller Zyklus für die typische Verschmutzung von Kinderkleidung. Der Zyklus entfernt zuverlässig auch eventuelle Waschmittelreste.

Daunen: zum Waschen von Wäschestücken mit Daunenfüllung wie Federbetten für Einzelbetten (die ein Gewicht von 1,5 kg nicht überschreiten), Kissen, Anoraks wählen Sie das Spezialprogramm **12**. Wie empfohlen, die Federbetten mit nach innen gefalteten Ecken (*siehe Abbildung*) in die Wäschetrommel zu füllen und $\frac{3}{4}$ des Fassungsvermögens der Trommel nicht zu überschreiten. Für optimale Waschergebnisse empfiehlt es sich, Flüssigwaschmittel zu verwenden und dieses in die Waschmittelkammer einzufüllen.



Wolle: Mit dem Programm **13** können alle Wollsachen gewaschen werden, auch wenn das Etikett "nur Handwäsche" zeigt. Für beste Ergebnisse verwenden Sie ein spezifisches Waschmittel und waschen Sie maximal 1,5 kg Wäsche.

Seide: Wählen Sie das Spezialprogramm **14** zum Waschen aller Kleidungs- bzw. Wäschestücke aus Seide. Es empfiehlt sich der Einsatz von Feinwaschmittel.

Vorhänge: Gardinen zusammengefoldet in einem Kissenbezug oder in einem netzartigen Beutel waschen. Stellen Sie das Programm **14** ein.

Unwuchtkontrollsystem

Um starke Vibrationen oder eine Unwucht beim Schleudern zu vermeiden, verfügt das Gerät über ein Schleudrunwuchtsystem. Die Waschladung wird durch eine erhöhte Rotation der Trommel als die des Waschganges ausbalanciert. Sollte die Wäscheladung nach Ablauf mehrerer Versuche immer noch nicht korrekt verteilt sein, schleudert das Gerät die Wäsche bei einer niedrigeren Geschwindigkeit als die der vorgesehenen Schleudergeschwindigkeit. Sollte die Wäsche extrem ungleichmäßig verteilt sein, führt das Gerät anstelle des Schleuderganges einen Wäscheverteilungs-Zyklus durch. Um eine optimale Verteilung der Wäscheladung und somit eine korrekte Auswuchtung zu fördern, sollten große und kleine Wäscheteile gemischt eingefüllt werden.

Bei Funktionsstörung: Bevor Sie sich an den Technischen Kundendienst wenden (siehe „Kundendienst“), vergewissern Sie sich zuerst, ob es sich nicht um eine Kleinigkeit handelt, die Sie selbst beheben können. Ziehen Sie hierzu nachstehendes Verzeichnis zu Rate.

Störungen:

Der Waschvollautomat schaltet sich nicht ein.

Mögliche Ursachen / Lösungen:

- Der Stecker steckt nicht in der Steckdose, oder nicht so, dass der Kontakt hergestellt wird.
- Der Strom ist ausgefallen.

Der Waschgang startet nicht.

- Die Gerätetür wurde nicht vorschriftsmäßig geschlossen.
- Die ON/OFF-Taste wurde nicht gedrückt.
- Die Taste START/PAUSE wurde nicht gedrückt.
- Der Wasserhahn ist nicht aufgedreht.
- Es wurde ein verzögerter Start gewählt (siehe „Personalisierungen“).

Der Waschvollautomat lädt kein Wasser. Die Kontrollleuchte der ersten Waschphase blinkt (rasches Blinklicht).

- Der Zufuhrschlauch ist nicht am Wasserhahn angeschlossen.
- Der Schlauch ist geknickt.
- Der Wasserhahn ist nicht aufgedreht.
- Es ist kein Wasser da.
- Der Druck ist unzureichend.
- Die Taste START/PAUSE wurde nicht gedrückt.

Der Waschvollautomat lädt laufend Wasser und pumpt es laufend ab.

- Der Ablaufschlauch befindet sich nicht auf der vorgeschriebenen Höhe, d.h. 65 – 100 cm vom Boden (siehe „Installation“).
- Das Schlauchende liegt unter Wasser (siehe „Installation“).
- Der Abfluss der Hausinstallation wurde nicht mit einer Entlüftungsöffnung versehen. Könnte die Störung durch diese Kontrollen nicht behoben werden, dann drehen Sie den Wasserhahn zu, schalten das Gerät aus und fordern den Kundendienst an. Falls Sie in einer der obersten Etagen eines Gebäudes wohnen, kann es vorkommen, dass sich im Syphon ein Vakuum bildet, und der Waschvollautomat ständig Wasser ansaugt und wieder abpumpt. Zur Lösung dieser Probleme bietet der Handel spezielle Syphonventile.

Der Waschvollautomat pumpt nicht ab und schleudert nicht.

- Das Programm siehe kein Abpumpen vor: Bei einigen Programmen muss es von Hand eingestellt werden (siehe „Starten eines Waschprogramms“).
- Der Ablaufschlauch ist geknickt (siehe „Installation“).
- Die Ablaufleitung ist verstopft.

Der Waschvollautomat vibriert zu stark während des Schleuderns.

- Die Trommel wurde bei der Installation nicht korrekt befreit (siehe „Installation“).
- Der Waschvollautomat steht nicht eben (siehe „Installation“).
- Der Waschvollautomat steht zu eng zwischen der Wand und einem Möbel (siehe „Installation“).

Der Waschvollautomat ist undicht.

- Der Zulaufschlauch wurde nicht ordnungsgemäß aufgeschraubt (siehe „Installation“).
- Die Waschmittelschublade ist verstopft (zur Reinigung siehe „Wartung und Pflege“).
- Der Ablaufschlauch ist nicht korrekt befestigt (siehe „Installation“).

Die Kontrollleuchten „Funktionen“ und „Start/Pause“ blinken und eine der Kontrollleuchten der „laufenden Programmphase“ sowie die für „Gerätetür gesperrt“ bleiben eingeschaltet.

- Schalten Sie das Gerät aus und ziehen Sie den Netzstecker; warten Sie daraufhin ca. 1 Minute und schalten Sie es wieder ein.
Bleibt die Störung bestehen, kontaktieren Sie bitte den Kundendienst.

Es bildet sich zu viel Schaum.

- Das Waschmittel ist für Waschmaschinen nicht geeignet (es muss mit der Aufschrift „Für Waschmaschinen“, „Für Handwäsche und Waschmaschinen“ usw. versehen sein).
- Es wurde zu hoch dosiert.

Kundendienst

DE

Bevor Sie sich an den Kundendienst wenden:

- Sollten einige Kontrollen vorab selbst durchgeführt werden (siehe „Störungen und Abhilfe“);
- Starten Sie daraufhin das Programm erneut, um sicherzustellen, dass die Störung auch wirklich behoben wurde;
- Ist dies nicht der Fall, dann kontaktieren Sie den autorisierten Kundendienst unter der auf dem Garantieschein befindlichen Telefonnummer.

! Wenden Sie sich auf keinen Fall an nicht autorisierte Techniker.

Geben Sie bitte Folgendes an:

- die Art der Störung;
- das Maschinenmodell (Mod.);
- die Seriennummer (S/N).

Diese Daten entnehmen Sie bitte dem auf der Rückseite des Waschvollautomaten und auf der Vorderseite (Gerätetür öffnen) befindlichen Typenschild.

| DELEGIERTE VERORDNUNG (EU) Nr. 1061/2010 DER KOMMISSION | |
|---|----------------|
| Marke | INDESIT |
| Modell | EWD 61052 W EU |
| Nennkapazität Baumwolle in kg | 6 |
| Energieeffizienzklasse (A+++ niedriger Verbrauch) bis D (hoher Verbrauch) | A++ |
| Energieverbrauch pro Jahr in kWh ¹⁾ | 173 |
| Energieverbrauch Standardprogramm 60° C Baumwolle bei ganzer Beladung ²⁾ | 0.932 |
| Energieverbrauch Standardprogramm 60° C Baumwolle bei teilweiser Beladung ²⁾ | 0.67 |
| Energieverbrauch Standardprogramm 40° C Baumwolle bei teilweiser Beladung ²⁾ | 0.592 |
| Leistungsaufnahme im Aus-Zustand in W | 0.5 |
| Leistungsaufnahme im unausgeschalteten Zustand in W | 8 |
| Wasserverbrauch pro Jahr in Liter ³⁾ | 8400 |
| Schleudereffizienzklasse (A höchste Effizienz) bis G (geringe Effizienz) | C |
| Maximale Schleuderdrehzahl U/min ⁴⁾ | 1000 |
| Restfeuchte in % ⁵⁾ | 62.0% |
| Programmdauer 60° Baumwolle bei ganzer Beladung in Minuten | 190 |
| Programmdauer 60° Baumwolle bei teilweiser Beladung in Minuten | 150 |
| Programmdauer 40° Baumwolle bei teilweiser Beladung in Minuten | 145 |
| Dauer des unausgeschalteten Zustandes in Minuten nach Programmende | 30 |
| Luftschallemissionen Waschen dB(A) re 1pW ⁶⁾ | 62 |
| Luftschallemissionen Schleudern dB(A) re 1pW ⁶⁾ | 80 |
| Einbaugerät | |

¹⁾ Die Angaben beziehen sich auf die Standardprogramme 60° C Baumwolle, volle und teilweise Beladung sowie 40° C Baumwolle teilweise Beladung. Diese Programme eignen sich für normal verschmutzte Wäsche und sind die effizientesten Programme in Bezug auf den kombinierten Energie- und Wasserverbrauch. Unter teilweiser Beladung versteht man halbe Beladung.

²⁾ Angabe auf Grundlage von 220 Standard-Waschzyklen für 60 °C- und 40 °C- Baumwollprogramme bei vollständiger Befüllung und Teilbefüllung sowie dem Verbrauch der Betriebsarten mit geringer Leistungsaufnahme. Der tatsächliche Energieverbrauch hängt von der Art der Nutzung des Geräts ab

³⁾ Angabe auf Grundlage von 220 Standard-Waschzyklen für 60 °C- und 40 °C- Baumwollprogramme bei vollständiger Befüllung und Teilbefüllung. Der tatsächliche Wasserverbrauch hängt von der Art der Nutzung des Geräts ab.

⁴⁾ Für Programme Standard 60° Baumwolle bei ganzer und teilweiser Beladung oder für 40° Baumwolle bei teilweiser Beladung . Angabe des jeweils niedrigeren Wertes.

⁵⁾ Für Programme Standard 60° Baumwolle bei ganzer und teilweiser Beladung oder für 40° Baumwolle bei teilweiser Beladung . Angabe des jeweils höheren Wertes.

⁶⁾ Gemessen am Programme Standard 60° Baumwolle Vollast.

CZ

Česky

EWD 61052

Obsah

Instalace, 26-27

Rozbalení a vyrovnaní do vodorovné polohy
Připojení k elektrické a k vodovodní síti
První prací cyklus
Technické údaje

Údržba a péče, 28

Uzavření přívodu vody a vypnutí elektrického napájení
Čištění pračky
Čištění dávkovače pracích prostředků
Péče o dvířka a buben
Čištění čerpadla
Kontrola přítokové hadice na vodu

Opatření a rady, 29

Základní bezpečnostní pokyny
Likvidace

Popis pračky a zahájení pracího programu, 30-31

Ovládací panel
Kontrolky
Zahájení pracího programu

Prací programy, 32

Tabulka pracích programů
Každodenní rychlé cykly

Uživatelská nastavení, 33

Nastavení teploty
Nastavení rychlosti odstředování
Funkce

Prací prostředky a prádlo, 34

Dávkovač pracích prostředků
Příprava prádla
Oděvy vyžadující zvláštní péči
Systém automatického vyvážení náplně

Poruchy a způsob jejich odstranění, 35

Servisní služba, 36

Instalace

CZ

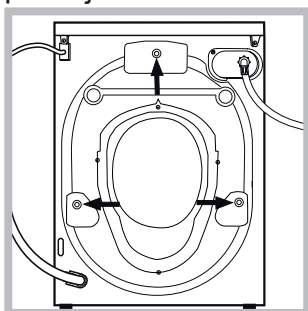
! Je důležité uschovat tento návod tak, abyste jej mohli kdykoli konzultovat. V případě prodeje, darování nebo přestěhování pračky se ujistěte, že zůstane uložen v blízkosti pračky, aby mohl posloužit novému majiteli při seznámení s její činností a s příslušnými upozorněními.

! Pozorně si přečtěte uvedené pokyny: obsahují důležité informace týkající se instalace, použití a bezpečnosti při práci.

Rozbalení a vyrovnaní do vodorovné polohy

Rozbalení

1. Rozbalte pračku.
2. Zkontrolujte, zda během přepravy nedošlo k jejímu poškození. V případě, že je poškozena, ji nezapojujte a obraťte se na prodejce.



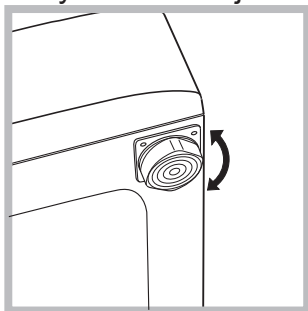
3. Odstraňte 3 šrouby chránící před poškozením během přepravy a gumovou podložku s příslušnou rozpěrkou, které se nacházejí v zadní části (viz obrázek).

4. Uzavřete otvory po šroubech plastovými krytkami z příslušenství.
5. Uschovejte všechny díly: v případě opětovné přepravy pračky je bude třeba namontovat zpět.

! Obaly nejsou hračky pro děti!

Vyrovnaní do vodorovné polohy

1. Pračku je třeba umístit na rovnou a pevnou podlahu, aniž by se opírala o stěnu, nábytek či něco jiného.

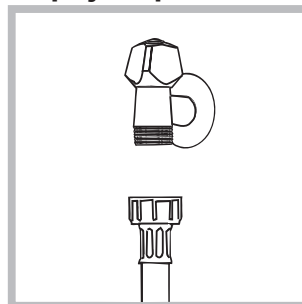


2. V případě, že podlaha není dokonale vodorovná, mohou být případné rozdíly vykompenzovány šroubováním předních nožek (viz obrázek); Úhel sklonu, naměřený na pracovní ploše, nesmí přesáhnout 2°.

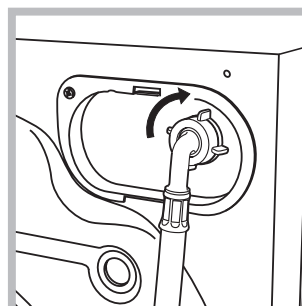
Dokonalé vyrovnaní do vodorovné polohy zabezpečí stabilitu zařízení a zamezí vzniku vibrací a hluku během činnosti. V případě instalace na podlahovou krytinu nebo na koberec nastavte nožky tak, aby pod pračkou zůstal dostatečný volný prostor pro ventilaci.

Připojení k elektrické a k vodovodní síti

Připojení přítokové hadice vody



1. Připojte přívodní hadici jejím zašroubováním ke kohoutku studené vody s hrdlem se závitem 3/4" (viz obrázek). Před připojením hadice nechte vodu odtékat, dokud nebude čirá.



2. Připojte přítokovou hadici k pračce prostřednictvím příslušné přípojky na vodu, umístěné vpravo nahoře (viz obrázek).

3. Dbejte na to, aby hadice nebyla příliš ohnutá ani stlačená.

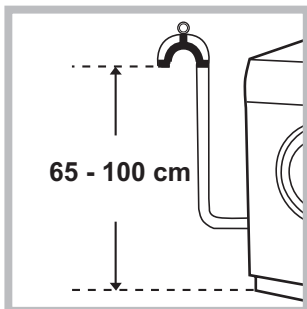
! Tlak v rozvodu vody se musí pohybovat v rozmezí hodnot uvedených v tabulce s technickými údaji (viz vedlejší strana).

! V případě, že délka přítokové hadice nebude dostatečná, obraťte se na specializovanou prodejnu nebo na autorizovaný technický personál.

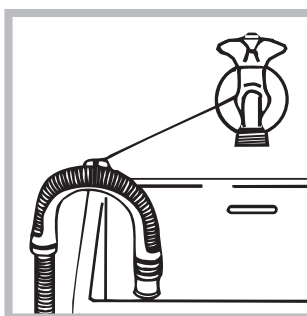
! Nikdy nepoužívejte již použité hadice.

! Používejte hadice z příslušenství zařízení.

Připojení vypouštěcí hadice



Připojte vypouštěcí hadici, aniž byste ji ohýbali, k odpadovému potrubí nebo k odpadu ve stěně, který se nachází od 65 do 100 cm nad zemí;



nebo ji uchyťte k okraji umývadla či vany a připevněte vodící držák z příslušenství ke kohoutu (viz obrázek). Volný konec vypouštěcí hadice nesmí zůstat ponořený do vody.

! Použití prodlužovacích hadic se nedoporučuje; je-li však nezbytné, prodlužovací hadice musí mít stejný průměr jako originální hadice a její délka nesmí přesáhnout 150 cm.

Připojení k elektrické síti

Před zasunutím zástrčky do zásuvky se ujistěte, že:

- Je zásuvka uzemněna a že vyhovuje normám;
- je zásuvka schopna snést maximální zátěž odpovídající jmenovitému příkonu zařízení, uvedenému v tabulce s technickými údaji (viz vedle);
- hodnota napájecího napětí odpovídá údajům uvedeným v tabulce s technickými údaji (viz vedle);
- je zásuvka kompatibilní se zástrčkou pračky. V opačném případě je třeba vyměnit zásuvku nebo zástrčku.

! Pračka nesmí být umístěna venku – pod širým nebem, a to ani v případě, že by se jednalo o místo chráněné před nepřízní počasí, protože je velmi nebezpečné vystavit ji působení deště a bouří.

! Po definitivní instalaci pračky musí zásuvka zůstat snadno přístupná.

! Nepoužívejte prodlužovací kabely a rozvodky.

! Kabel nesmí být ohnutý ani stlačený.

! Výměna kabelu musí být svěřena výhradně autorizovanému technickému personálu.

Upozornění! Výrobce neponese žádnou odpovědnost za následky nerespektování uvedených předpisů.

První prací cyklus

Po instalaci zařízení je třeba ještě předtím, než je použijete na praní prádla, provést jeden zkušební cyklus s pracím prostředkem a bez náplně prádla nastavením pracího programu 2.

Technické údaje

| | |
|---|--|
| Model | EWD 61052 |
| Rozměry | šířka 59,5 cm výška 85 cm hloubka 51,7 cm |
| Kapacita | od 1 do 6 kg |
| Napájení | Viz štítek s technickými údaji, aplikovaný na zařízení. |
| Připojení k rozvodu vody | maximální tlak 1 MPa (10 bar) minimální tlak 0.05 MPa (0.5 bar) kapacita bubny 46 litrů |
| Rychlost odstředování | až do 1000 otáček za minutu |
| Kontrolní programy podle předpisy 1061/2010 a 1015/2010 | program 15; Eco bavlnu 60°C. program 15; Eco bavlnu 40°C. |
|   | Toto zařízení odpovídá následujícím normám Evropské unie: - 2004/108/CE (Elektromagnetická kompatibilita) - 2006/95/CE (Nízké napětí) - 2012/19/EU - WEEE |

Údržba a péče

CZ

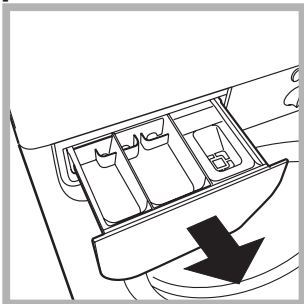
Uzavření přívodu vody a vypnutí elektrického napájení

- Po každém praní uzavřete přívod vody. Tímto způsobem dochází k omezení opotřebení pračky a ke snížení nebezpečí úniku vody.
- Před zahájením čištění pračky a během operací údržby vytáhněte zástrčku napájecího kabelu z elektrické zásuvky.

Čištění pračky

Vnější části a části z gumy se mohou čistit hadrem navlhčeným ve vlažné vodě a saponátu. Nepoužívejte rozpouštědla ani abrazivní látky.

Čištění dávkovače pracích prostředků



Vytáhněte dávkovač jeho nadzvednutím a vytažením směrem ven (viz obrázek). Umyjte jej pod proudem vody; tento druh vyčištění je třeba provádět pravidelně.

Péče o dvířka a buben

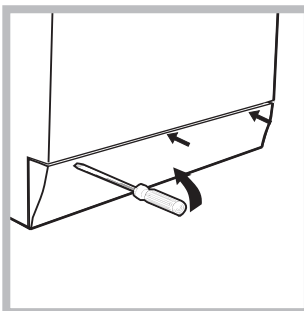
- Dvířka ponechte pokaždé pootevřená, aby se zabránilo tvorbě nepříjemných zápachů.

Čištění čerpadla

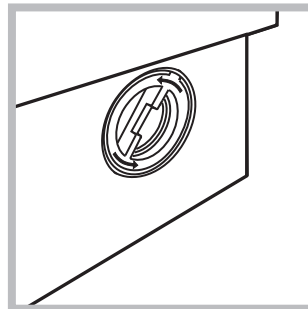
Součástí pračky je samočisticí čerpadlo, které nevyžaduje údržbu. Může se však stát, že se v jeho vstupní části, určené k jeho ochraně a nacházející se v jeho spodní části, zachytí drobné předměty (mince, knoflíky).

! Ujistěte se, že byl prací cyklus ukončen, a vytáhněte zástrčku ze zásuvky.

Přístup ke vstupní části čerpadla:



1. pomocí šroubováku odstraňte krycí panel nacházející se v přední části pračky (viz obrázek);



2. odšroubujte víko jeho otáčením proti směru hodinových ručiček (viz obrázek): vytečení malého množství vody je zcela běžným jevem;

3. dokonale vyčistěte vnitřek;
4. zašroubujte zpět víko;
5. namontujte zpět panel, přičemž se před jeho přisunutím k zařízení ujistěte, že došlo ke správnému zachycení háčků do příslušných podélných otvorů.

Kontrola přítokové hadice na vodu

Stav přítokové hadice je třeba kontrolovat alespoň jednou ročně. Jsou-li na ní viditelné praskliny nebo trhliny, je třeba ji vyměnit: silný tlak působící na hadici během pracího cyklu by mohl způsobit její náhlé roztržení.

! Nikdy nepoužívejte již použité hadice.

! Pračka byla navržena a vyrobena v souladu s platnými mezinárodními bezpečnostními předpisy. Tato upozornění jsou uváděna z bezpečnostních důvodů a je třeba si je pozorně přečíst.

Základní bezpečnostní pokyny

- Toto zařízení bylo navrženo výhradně pro použití v domácnosti.
- Toto zařízení mohou používat děti od 8 let a osoby se sníženými fyzickými, sensorickými nebo duševními schopnostmi nebo osoby s nedostatečnými zkušenostmi a znalostmi, když se nacházejí pod náležitým dohledem nebo když byly náležitě vyškoleny ohledně bezpečného použití zařízení a uvědomují si související nebezpečí. Děti si nesmí hrát se zařízením. Děti nesmí provádět operace údržby a čištění bez dohledu.
- Nedotýkejte se zařízení bosí nebo v případě, že máte mokré ruce či nohy.
- Nevytahujte zástrčku ze zásuvky tahem za kabel, ale uchopením za zástrčku.
- Neotvírejte dávkovač pracích prostředků během činnosti zařízení.
- Nedotýkejte se odčerpávané vody, protože může mít velmi vysokou teplotu.
- Nepokoušejte se o násilné otevření dvířek: mohlo by dojít k poškození bezpečnostního uzávěru, který zabraňuje náhodnému otevření.
- Při výskytu poruchy se v žádném případě nepokoušejte o opravu vnitřních částí zařízení.
- Vždy mějte pod kontrolou děti a zabraňte tomu, aby se přibližovaly k zařízení během pracovního cyklu.
- Během pracovního cyklu mají dvířka tendenci ohřát se.
- V případě potřeby přemístujte pračku ve dvou nebo ve třech a věnujte celé operaci maximální pozornost. Nikdy se nepokoušejte zařízení přemísťovat sami, je totiž velmi těžké.
- Před zahájením vkládání prádla zkontrolujte, zda je buben prázdný.

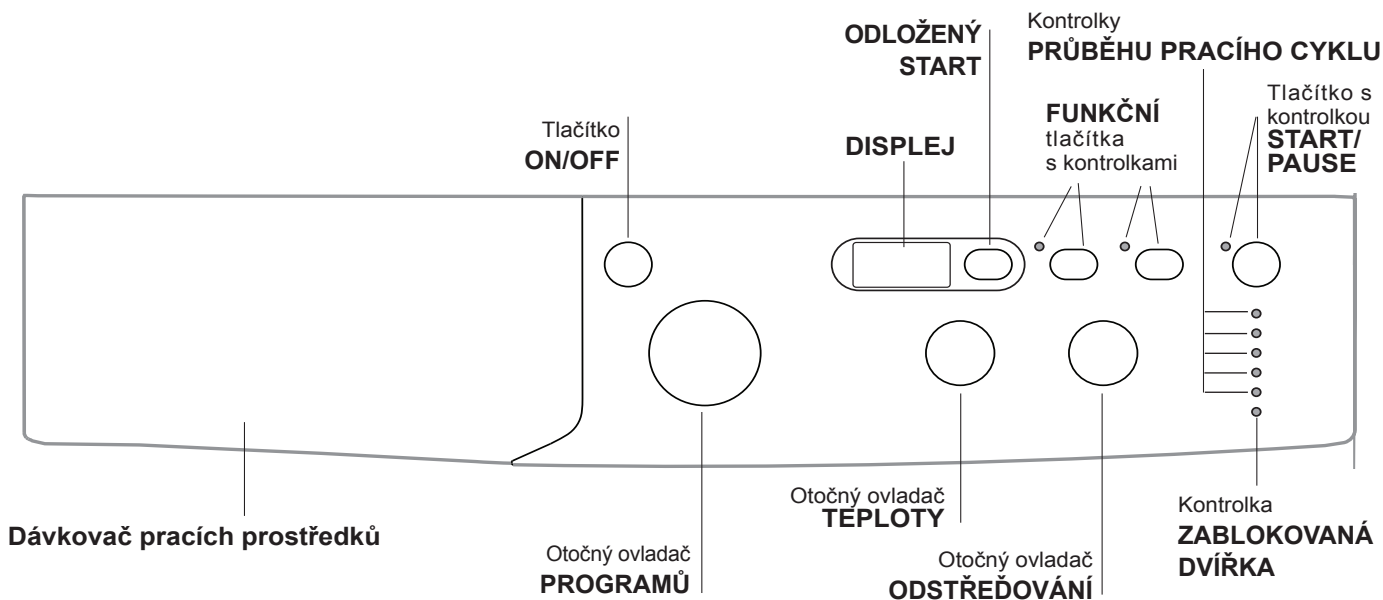
Likvidace

- Likvidace obalových materiálů: při jejich odstranění postupujte v souladu s místními předpisy a dbejte na možnou recyklaci.
- Evropská směrnice 2012/19/EU - WEEE o odpadních elektrických a elektronických zařízeních stanovuje, že staré domácí elektrické spotřebiče nesmí být odkládány do běžného netříděného domovního odpadu. Staré spotřebiče musí být odevzdány do odděleného sběru, a to za účelem recyklace a optimálního využití materiálů, které obsahují, a z důvodu předcházení negativním dopadům na lidské zdraví a životní prostředí. Symbol "přeškrtnuté popelnice" na výrobku vás

upozorňuje na povinnost odevzdat zařízení po skončení jeho životnosti do odděleného sběru. Spotřebitelé by měli kontaktovat příslušné místní úřady nebo svého prodejce ohledně informací týkajících se správné likvidace starého zařízení.

Popis pračky a zahájení pracího programu

Ovládací panel



Dávkovač pracích prostředků: slouží k dávkování pracích prostředků a přídatných prostředků (viz „Prací prostředky a prádlo“).

Tlačítko **ON/OFF**: slouží k zapnutí a vypnutí pračky.


Otočný ovladač **PROGRAMŮ**: pro nastavení pracích programů. Během pracího programu zůstane ve stejné poloze.

FUNKČNÍ tlačítka s kontrolkami: slouží k volbě jednotlivých dostupných funkcí. Kontrolka zvolené funkce zůstane rozsvícena.

Otočný ovladač **ODSTŘEĐOVÁNÍ**: slouží k nastavení odstřeďování nebo k jeho vyloučení (viz „Uživatelská nastavení“).

Otočný ovladač **TEPLOTY**: slouží k nastavení teploty praní nebo praní ve studené vodě (viz „Uživatelská nastavení“).


DISPLEJ: slouží k zobrazení doby trvání různých programů, které jsou k dispozici, a po zahájení cyklu i zbývající doby ukončení probíhajícího programu; v případě nastavení **ODLOŽENÝ START** bude zobrazena doba chybějící do zahájení zvoleného programu.

ODLOŽENÝ START : stiskněte za účelem nastavení odloženého startu zvoleného programu. Doba, o kterou bude start odložen, bude zobrazena na displeji.

Kontrolky **PRŮBĚHU PRACÍHO CYKLU**: slouží ke kontrole průběhu pracího programu. Rozsvícená kontrolka poukazuje na probíhající fázi.

Kontrolka **ZABLOKOVANÁ DVÍŘKA**: informuje o tom, zda je možné otevřít dvířka (viz *vedlejší strana*).

Tlačítko s kontrolkou **START/PAUZA**: Slouží ke spuštění nebo dočasnému přerušení programů.

POZN.: Stisknutí tohoto tlačítka slouží k přerušení probíhajícího praní; příslušná kontrolka bude blikat oranžovým světlem, zatímco kontrolka probíhající fáze zůstane rozsvícena stálým světlem. Když bude kontrolka **ZABLOKOVANÁ DVÍŘKA**  zhasnuta, bude možné otevřít dvířka (vyčkejte přibližně 3 minuty).

Za účelem opětovného zahájení praní z bodu, ve kterém bylo přerušeno, znovu stiskněte toto tlačítko.

Pohotovostní režim

Za účelem shody s novými předpisy souvisejícími s energetickou úsporou je tato pračka vybavena systémem automatického vypnutí (přechodu do pohotovostního režimu – standby), který je aktivován po uplynutí 30 minut, když se pračka nepoužívá. Krátce stiskněte tlačítko **ON/OFF** a vyčkejte na obnovení činnosti zařízení.

Kontrolky

Kontrolky jsou zdrojem důležitých informací. Informují nás o následujících skutečnostech:

Kontrolka aktuální fáze pracího programu:

Po zvolení a zahájení požadovaného pracího cyklu dojde k postupnému rozsvícení kontrolky informující o jeho průběhu.

| | |
|----------------|---|
| Praní |  |
| Máchání |  |
| Odstředování |  |
| Odčerpání vody |  |
| Ukončení praní |  |

Funkční tlačítka a příslušné kontrolky

Po zvolení konkrétní funkce dojde k rozsvícení příslušné kontrolky.


V případě, že zvolená funkce není kompatibilní s nastaveným pracím programem, příslušná kontrolka začne blikat a funkce nebude aktivována.

V případě, že zvolená funkce není kompatibilní s jinou předem zvolenou funkcí, kontrolka první funkce bude blikat a bude aktivována pouze druhá, přičemž kontrolka zvolené funkce se rozsvítí stálým světlem.

Kontrolka zablokovaných dvířek

Rozsvícení této kontrolky poukazuje na to, že dvířka jsou zajištěna kvůli zamezení náhodnému otevření; aby se zabránilo poškození dvířek, před jejich otevřením je třeba vyčkat, dokud uvedená kontrolka nezhasne; (vyčkejte přibližně 3 minuty). Za účelem otevření dvířek v průběhu pracího cyklu stiskněte tlačítko START/PAUSE; když bude kontrolka ZABLOKOVANÁ DVÍŘKA zhasnutá, bude možné otevřít dvířka.

Zahájení pracího programu

1. Zapněte pračku stisknutím tlačítka ON/OFF. Všechny kontrolky se rozsvítí na několik sekund, poté se zhasnou a bude blikat kontrolka START/PAUSE.
2. Naplňte pračku a zavřete dvířka.
3. Otočným ovladačem PROGRAMŮ nastavte požadovaný prací program.
4. Nastavte teplotu praní (viz „Uživatelská nastavení“).
5. Nastavte rychlost odstředování (viz „Uživatelská nastavení“).
6. Nadávkujte prací prostředek a přídatné prostředky (viz „Prací prostředky a prádlo“).
7. Zvolte požadované funkce.
8. Zahajte prací program stisknutím tlačítka START/PAUSE a příslušná kontrolka zůstane rozsvícena stálým světlem zelené barvy. Zrušení nastaveného pracího cyklu se provádí přerušením činnosti zařízení stisknutím tlačítka START/PATA a volbou nového cyklu.
9. Po ukončení pracího programu se rozsvítí kontrolka END. Po zhasnutí kontrolky ZABLOKOVANÁ DVÍŘKA  bude možné otevřít dvířka (vyčkejte přibližně 3 minuty). Vytáhněte prádlo a nechte dvířka pootevřená, aby bylo umožněno vysušení bubny. Vypněte pračku stisknutím tlačítka ON/OFF.

Prací programy

CZ

Tabulka pracích programů

| Programy | Popis programu | Max. teplota (°C) | Max. rychlost (otáčky za minutu) | Prací prostředky | | | Max. náplň (kg) | Zbytková vlhkost % | Spotřeba energie kWh | Celkové množství vody lit | Cycle duration |
|------------------------------|---|-------------------|----------------------------------|------------------|-------|--------|-----------------|--------------------|----------------------|---------------------------|----------------|
| | | | | Předpraní | Praní | Aviváz | | | | | |
| EVERYDAY FAST | | | | | | | | | | | |
| 1 | Smíšené Barevné 59' | 40° | 1000 | - | ● | ● | 6 | - | - | - | 59' |
| 2 | Bavlna 59' | 60° | 1000 | - | ● | ● | 6 | - | - | - | 59' |
| 3 | Bavlna 45' | 40° | 1000 | - | ● | ● | 3 | - | - | - | 45' |
| 4 | Syntetika 59' (3) | 40° (Max. 60°) | 1000 | - | ● | ● | 3 | 44 | 0,50 | 39 | 59' |
| 5 | Smíšené 30' | 30° | 800 | - | ● | ● | 3 | 70 | 0,17 | 31 | 30' |
| 6 | Expres 20' | 20° | 800 | - | ● | ● | 3 | - | - | - | 20' |
| Special & Partial | | | | | | | | | | | |
| 7 | Sportovní oděv | 40° | 600 | - | ● | ● | 3 | - | - | - | ** |
| 8 | Sportovní obuv | 30° | 600 | - | ● | ● | Max. 2 páry. | - | - | - | ** |
| 9 | Dětské Prádlo | 40° | 800 | - | ● | ● | 2 | - | - | - | ** |
| 10 | Máchání | - | 1000 | - | - | ● | 6 | - | - | - | ** |
| 11 | Odštěďování + Odčerpání vody | - | 1000 | - | - | - | 6 | - | - | - | ** |
| 11 | Samostatné odčerpání vody * | - | ⊘ | - | - | - | 6 | - | - | - | ** |
| Dedicated | | | | | | | | | | | |
| 12 | Přikrývky: pro prádlo plněné husím peřím. | 30° | 1000 | - | ● | ● | 1,5 | - | - | - | ** |
| 13 | Vlna: pro vlnu, kašmír atd. | 40° | 800 | - | ● | ● | 1,5 | - | - | - | ** |
| 14 | Hedvábí/Záclony: pro prádlo z hedvábí, viskózy, spodní prádlo. | 30° | 0 | - | ● | ● | 1 | - | - | - | ** |
| 15 | Eco bavlnu 60 °C (1): silně znečištěné bílé a barevné prádlo z odolných tkanin. | 60° | 1000 | - | ● | ● | 6 | 62 | 0,91 | 50,0 | 190' |
| 15 | Eco bavlnu 40 °C (2): silně znečištěné bílé a barevné choulostivé prádlo. | 40° | 1000 | - | ● | ● | 6 | 62 | 0,85 | 76 | 170' |
| 16 | Bavlna + předpraní: mimořádně znečištěné bílé prádlo. | 90° | 1000 | ● | ● | ● | 6 | - | - | - | ** |

* V případě volby programu 11 a vyloučení odštěďování zařízení provede pouze odčerpání vody.

** Je možné kontrolovat dobu trvání pracích programů na displeji.

Doba trvání cyklu uvedená na displeji nebo v návodu představuje odhad vypočítaný na základě standardních podmínek. Skutečná doba se může měnit v závislosti na četných faktorech, jako je např. teplota a tlak vody na vstupu, teplota prostředí, množství pracího prostředku, množství a druh náplně, vyvážení náplně a zvolené volitelné funkce.

1) Kontrolní program podle předpisů 1061/2010: nastavte program 15 s teplotou 60°C.

Tento cyklus je vhodný pro praní běžně znečištěné bavlny a jedná se o neúčinnější cyklus z hlediska kombinované spotřeby energie a vody určený pro prádlo, které lze prát při teplotě do 60 °C. Skutečná teplota praní se může lišit od uvedené.

2) Kontrolní program podle předpisů 1061/2010: nastavte program 15 s teplotou 40°C.

Tento cyklus je vhodný pro praní běžně znečištěné bavlny a jedná se o neúčinnější cyklus z hlediska kombinované spotřeby energie a vody určený pro prádlo, které lze prát při teplotě do 40°C. Skutečná teplota praní se může lišit od uvedené.

Pro všechny Kontrolní ústavy:

2) Dlouhý program na praní bavlny: nastavte program 15 s teplotou 40°C.

3) Dlouhý program pro syntetiku: nastavte program 4 a poté zvolte možnost „Extra Wash“.

Každodenní rychlé cykly

Kompletní sada rychlých programů pro praní nejběžnějších tkanin i při plné náplni a pro odstranění nejběžnějšího každodenního znečištění v průběhu méně než 1 hodiny.

Smíšené Barevné 59': pro společné praní smíšeného a barevného prádla.

Bavlna 59': cyklus navržený pro praní bavlněného, převážně bílého prádla. Lze jej používat i s pracím práškem.

Bavlna 45': krátký cyklus pro praní choulostivého bavlněného prádla.

Syntetika 59': specifický cyklus pro praní oblečení ze syntetických tkanin. U odolnějších nečistot lze zvýšit teplotu až do 60° a použít také prací prášek.

Smíšené 30': krátký cyklus pro společné praní bílého i barevného bavlněného i syntetického prádla.

Expres 20': program, který osvěží vaše prádlo a provoní jej v průběhu pouhých 20 minut.

Nastavení teploty

Otáčením otočného ovladače TEPLoty se nastavuje teplota praní (viz *Tabulka programů*).

Teplota může být postupně snižována až po praní ve studené vodě (☼).

Zařízení automaticky zabrání nastavení vyšší teploty, než je maximální teplota pro každý prací program.

! Výjimka: při volbě programu 4 bude možné zvýšit teplotu až na 60°C.

Nastavení odstředování

Otáčením otočného ovladače ODSTŘEĐOVÁNÍ se nastavuje rychlost odstředování zvoleného pracího programu.

Maximální rychlosti pro jednotlivé prací programy jsou:

| Programy | Maximální rychlost |
|-----------|-----------------------|
| Bavlna | 1000 otáček za minutu |
| Syntetika | 1000 otáček za minutu |
| Vlna | 800 otáček za minutu |
| Hedvábí | pouze odčerpání vody |

Rychlost odstředování může být snížena nebo může být odstředování vyloučeno volbou symbolu (⊘).

Zařízení automaticky zabrání odstředování vyšší rychlostí, než je maximální rychlost pro každý prací program.

Funkce

Jednotlivé funkce, kterými pračka disponuje, umožňují dosáhnout požadovaného stupně čistoty a bělosti praného prádla.

Způsob aktivace jednotlivých funkcí:

1. stiskněte příslušné tlačítko požadované funkce;
2. rozsvícení příslušné kontrolky signalizuje, že došlo k aktivaci zvolené funkce.

Poznámka:

- V případě, že zvolená funkce není kompatibilní s nastaveným pracím programem, příslušná kontrolka začne blikat a funkce nebude aktivována.
- V případě, že zvolená funkce není kompatibilní s jinou předem zvolenou funkcí, kontrolka první funkce bude blikat a bude aktivována pouze druhá, přičemž kontrolka zvolené funkce se rozsvítí stálým světlem.

Odložený start

Pro nastavení odloženého startu zvoleného programu stiskněte příslušné tlačítko až do dosažení požadované doby odložení. Po zvolení této volitelné funkce se zobrazí symbol . Zrušení odloženého startu se provádí stisknutím tlačítka až do zobrazení nápisu OFF.

Extra Wash [★]

Pro velmi znečištěné prádlo aktivujte možnost Extra Wash [★] v případech, kdy je kompatibilní. Po stisknutí tlačítka této možnosti cyklus automaticky přizpůsobí všechny parametry praní a přejde na delší cyklus. Tato možnost ponechá nezměněnou teplotu, zatímco odstředování bude automaticky nastaveno na maximální úroveň. Uživatel může vždy změnit nastavení odstředování na požadovanou hodnotu.

Energy Savér

Možnost Energy Savér vám umožňuje prát bavlněné a syntetické prádlo s ušetřením energie, tedy s pomocí životního prostředí. Úspora vzniká tím, že se praní provádí zastudena, ale intenzivnějším mechanickým působením a optimalizovaným použitím vody je i navzdory nízké teplotě dosaženo požadovaného výsledku. Tato možnost je vhodná pro praní mírně znečištěného prádla. Doporučuje se použití tekutého pracího prostředku.

Prací prostředky a prádlo

CZ

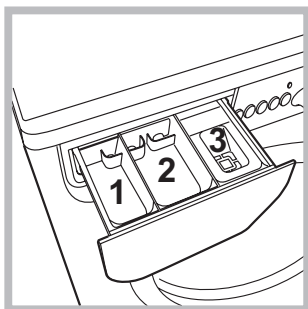
Dávkovač pracích prostředků

Dobry výsledek praní závisí také na správném dávkování pracího prostředku: použití jeho nadměrného množství snižuje efektivitu praní a napomáhá tvorbě vodního kamene na vnitřních částech pračky a zvyšuje znečištění životního prostředí.

! Nepoužívejte prací prostředky určené pro ruční praní, protože způsobují tvorbu nadměrného množství pěny.

! Pro předpírku a praní při teplotě vyšší než 60 °C použijte práškové prací prostředky pro bílé bavlněné prádlo.

! Dodržujte pokyny uvedené na obalu pracího prostředku.



Při vytahování dávkovače pracích prostředků a při jeho plnění pracími nebo přídatnými prostředky postupujte následovně.

příhrádka 1: Prací prostředek (práškový) pro předpírku

příhrádka 2: Prací prostředek (v prášku nebo tekutý)

Tekutý prací prostředek se nalévá teprve těsně před zahájením pracího cyklu.

příhrádka 3: Přídatné prostředky (aviváž atd.)

Aviváž nesmí vytékat z mřížky.

Poznámka: V případě použití „pracích tablet“ se doporučuje vždy dodržovat pokyny výrobce.

Příprava prádla

- Roztřídte prádlo podle:
 - druhu tkaniny / symbolu na visačce.
 - barvy: oddělte barevné prádlo od bílého.
- Vyprázdněte kapsy a zkontrolujte knoflíky.
- Nepřekračujte hodnoty povolené náplně, uvedené v „*Tabulka programů*“, vztahující se na hmotnost suchého prádla.

Kolik váží prádlo?

- 1 prostěradlo 400-500 g
 - 1 povlak na polštář 150-200 g
 - 1 ubrus 400-500 g
 - 1 župan 900-1.200 g
 - 1 ručník 150-250 g
- Speciální programy

Oděvy vyžadující zvláštní péči

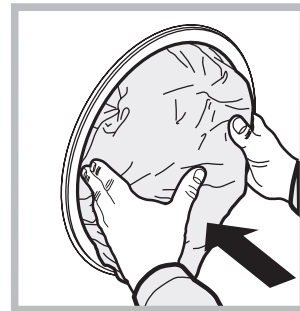
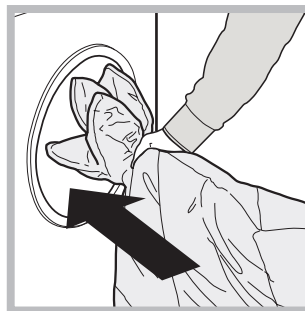
Sportovní oděv: cyklus vhodný pro společné praní sportovního prádla, včetně ručníku z tělocvičny, s ohledem na vlákna (vycházejte z pokynů uvedených na visačkách na oblečení).


Sportovní obuv: cyklus navržený pro bezpečné praní až do 2 párů sportovní obuvi současně.

Před vložením obuvi do koše se doporučuje zavázat tkaničky.

Dětské Prádlo: yklus, který byl navržen pro typické znečištění dětského oblečení i pro účinné odstranění případných stop zbyvajících pracího prostředku.

Příkrývky: při praní prádla plněného husím peřím, jako jsou například samostatné peřiny (nepřesahující hmotnost 1,5 kg), polštáře, větrovky, používejte příslušný program **12**. Doporučujeme vkládat peřiny do bubnu tak, že se jejich oba okraje složí směrem dovnitř (viz obrázky), a nepřekročit přitom ¼ celkového objemu samotného bubnu. Za účelem optimálního praní se doporučuje použít tekutý prací prostředek a dávkovat jej prostřednictvím dávkovače pracích prostředků.



Vlna: S programem **13** je možné prát v pračce všechny druhy vlněného prádla, také ty, které jsou označeny visačkou „prát pouze v ruce“ . Pro dosažení optimálních výsledků používejte specifický prací prostředek a nepřekračujte 1,5 kg prádla.

Hedvábí: použijte příslušný program **14** pro praní všeho prádla z hedvábí. Doporučujeme použití pracího prostředku pro choulostivé prádlo.

Záclony: přehnout je a uložit dovnitř povlaku na polštář anebo do sáčku ze síťoviny. Použijte program **14**.

Systém automatického vyvážení náplně

Před každým odstředováním bubne provede otáčení rychlostí lehce převyšující rychlost praní, aby se odstranily vibrace a aby se náplň rovnoměrně rozložila. V případě, že po několikanásobných pokusech o vyvážení prádlo ještě nebude správně vyváženo, zařízení provede odstředování nižší rychlostí, než je přednastavená rychlost. Za přítomnosti nadměrného nevyvážení pračka provede namísto odstředování vyvážení. Za účelem dosažení rovnoměrnějšího rozložení náplně a jejího správného vyvážení se doporučuje mchat velké a malé kusy prádla.

Může se stát, že pračka nebude fungovat. Dříve, než zatelefonujete na Servisní službu (viz „*Servisní služba*“), zkontrolujte, zda se nejedná o problém, který lze snadno vyřešit s pomocí následujícího seznamu.

Poruchy:

Možné příčiny / Způsob jejich odstranění:

Pračku nelze zapnout.

- Zástrčka není zasunuta v zásuvce nebo není zasunuta natolik, aby došlo ke spojení kontaktů.
- V celém domě je vypnutý proud.

Nedochází k zahájení pracího cyklu.

- Nejsou řádně zavřená dvířka.
- Nebylo stisknuto tlačítko ON/OFF.
- Nebylo stisknuto tlačítko START/PAUSE.
- Nebyl otevřen kohout přívodu vody.
- Byl nastaven odložený start (viz „*Uživatelská nastavení*“).

Pračka nenapouští vodu (Na displeji se zobrazí blikající nápis „H2O“).

- Přívodní hadice není připojena k vodovodnímu kohoutu.
- Hadice je příliš ohnutá.
- Nebyl otevřen kohout přívodu vody.
- V celém domě je uzavřený přívod vody.
- V rozvodu vody není dostatečný tlak.
- Nebylo stisknuto tlačítko START/PAUSE.

Dochází k nepřetržitému napouštění a odčerpávání vody.

- Vypouštěcí hadice se nachází mimo určené rozmezí od 65 do 100 cm nad zemí (viz „*Instalace*“).
 - Koncová část vypouštěcí hadice je ponořena ve vodě (viz „*Instalace*“).
 - Odpad ve stěně není vybaven odvzdušňovacím otvorem.
- Když ani po uvedených kontrolách nedojde k odstranění problému, uzavřete přívod vody, vypněte pračku a přivolejte Servisní službu. V případě, že se byt nachází na jednom z nejvyšších poschodí, je možné, že dochází k sifonovému efektu, jehož následkem pračka nepřetržitě napouští a odčerpává vodu. Pro odstranění uvedeného efektu jsou v prodeji běžně dostupné speciální protisifonové ventily.

Nedochází k vyčerpání vody nebo k odstředování.

- Odčerpání vody netvoří součást nastaveného programu: u některých programů je třeba jej aktivovat manuálně.
- Vypouštěcí hadice je ohnutá (viz „*Instalace*“).
- Odpadové potrubí je ucpáno.

Během odstředování je možné pozorovat silné vibrace pračky.

- Během instalace nebyl buben odjištěn předepsaným způsobem (viz „*Instalace*“).
- Pračka není dokonale vyrovnaná do vodorovné polohy (viz „*Instalace*“).
- Pračka je stlačena mezi nábytkem a stěnou (viz „*Instalace*“).

Dochází k úniku vody z pračky.

- Přítoková hadice není správně zašroubována (viz „*Instalace*“).
- Dávkovač pracích prostředků je ucpán (způsob jeho vyčištění je uveden v části „*Údržba a péče*“).
- Vypouštěcí hadice není upevněna předepsaným způsobem (viz „*Instalace*“).

Kontrolky „volitelné funkce“ a kontrolka „START/PAUSE“ blikají a jedna z kontrolek „probíhající fáze“ a „zablokovaná dvířka“ se rozsvítí stálým světlem.

- Vypněte zařízení a vytáhněte zástrčku ze zásuvky, vyčkejte přibližně 1 minutu a opětovně jej zapněte.
- Když porucha přetrvává, obraťte se na Servisní službu.

Dochází k tvorbě nadměrného množství pěny.

- Použitý prací prostředek není vhodný pro použití v automatické pračce (musí obsahovat označení „pro praní v pračce“, „pro ruční praní nebo pro praní v pračce“ nebo podobné označení).
- Bylo použito jeho nadměrné množství.

Servisní služba

CZ

Před přivoláním Servisní služby:

- Zkontrolujte, zda nejste schopni poruchu odstranit sami (viz „Poruchy a způsob jejich odstranění“);
- Opětovně uveďte do chodu prací program, abyste ověřili, zda byla porucha odstraněna;
- V opačném případě se obraťte na Centrum servisní služby na telefonním čísle uvedeném na záručním listu.

! Nikdy se neobracejte s žádostí o pomoc na techniky, kteří nejsou k výkonu této činnosti oprávněni.

Při hlášení poruchy uveďte:

- druh poruchy;
- model zařízení (Mod.);
- výrobní číslo (S/N).

Tyto informace jsou uvedeny na štítku aplikovaném na zadní části pračky a v její přední části, dostupné po otevření dvířek.

| NAŘÍZENÍ KOMISE V PŘENESENÉ PRAVOMOCI (EU) č. 1061/2010 | |
|--|----------------|
| Značka | INDESIT |
| Model | EWD 61052 W EU |
| Jmenovitá kapacita bavlněné látky v kg | 6 |
| Třída energetické účinnosti na stupnici A+++ (nejnižší spotřeba) až G (vysoká spotřeba) | A++ |
| Roční spotřeba energie v kWh ¹⁾ | 173 |
| Spotřeba energie standardního programu pro bavlnu pro praní při 60 °C s celou náplní v kWh ²⁾ | 0.932 |
| Spotřeba energie standardního programu pro bavlnu pro praní při 60 °C s poloviční náplní v kWh ²⁾ | 0.67 |
| Spotřeba energie standardního programu pro bavlnu pro praní při 40 °C s poloviční náplní v kWh ²⁾ | 0.592 |
| Vážená spotřeba energie ve vypnutém stavu ve W | 0.5 |
| Vážená spotřeba energie v režimu ponechání v zapnutém stavu ve W | 8 |
| Roční spotřeba vody v litrech ³⁾ | 8400 |
| Třída účinnosti sušení odstřeďováním na stupnici od G (nejmenší účinnost) do A (nejvyšší účinnost) | C |
| Maximální otáčky při odstřeďování ⁴⁾ | 1000 |
| Zbytkový obsah vlhkosti v % ⁵⁾ | 62.0% |
| Trvání „standardního programu pro bavlnu pro praní při 60 °C“ s celou náplní v minutách. | 190 |
| Trvání „standardního programu pro bavlnu pro praní při 60 °C“ s poloviční náplní v minutách. | 150 |
| Trvání „standardního programu pro bavlnu pro praní při 40 °C“ s poloviční náplní v minutách. | 145 |
| Trvání režimu ponechání v zapnutém stavu v minutách | 30 |
| Emise hluku v dB(A) re 1 pW během praní ⁶⁾ | 62 |
| Emise hluku v dB(A) re 1 pW během odstřeďování ⁶⁾ | 80 |
| Vestavný spotřebič | |

¹⁾ Standardní program pro bavlnu pro praní při 60 °C s celou náplní a poloviční náplní a standardní program pro bavlnu pro praní při 40 °C s poloviční náplní jsou standardní prací programy, na které se vztahují informace uvedené na energetickém štítku a v informačním listu. Tyto programy jsou vhodné pro praní běžně znečištěného bavlněného prádla a jedná se o neúčinnější programy z hlediska kombinované spotřeby energie a vody.

²⁾ Na základě 220 standardních pracích cyklů s programy pro bavlnu pro praní při 60 °C a 40 °C s celou a poloviční náplní a spotřeba v režimech s nízkou spotřebou energie. Skutečná spotřeba energie bude záviset na tom, jak je spotřebič používán.

³⁾ Na základě 220 standardních pracích cyklů s programy pro bavlnu pro praní při 60 °C a 40 °C s celou a poloviční náplní. Skutečná spotřeba vody bude záviset na tom, jak je spotřebič používán.

⁴⁾ U standardního programu pro bavlnu pro praní při 60 °C s celou náplní nebo u standardního programu pro bavlnu pro praní při 40 °C s poloviční náplní podle toho, která hodnota je menší.

⁵⁾ U standardního programu pro bavlnu pro praní při 60 °C s celou náplní nebo u standardního programu pro bavlnu pro praní při 40 °C s poloviční náplní podle toho, která hodnota je větší.

⁶⁾ Během fází praní a odstřeďování u standardního programu pro bavlnu pro praní při 60 °C s celou náplní.

SK

Slovensky

EWD 61052

Obsah

Inštalácia, 38-39

Rozbalenie a vyrovnanie do vodorovnej polohy
Pripojenie k elektrickej a k vodovodnej sieti
Prvý prací cyklus
Technické údaje

Údržba a starostlivosť, 40

Uzavretie prívodu vody a vypnutie elektrického napájania
Čistenie práčky
Čistenie dávkovača pracích prostriedkov
Starostlivosť o dvierka a bubon
Čistenie čerpadla
Skontrolujte prítokovú hadicu vodu

Opatrenia a rady, 41

Základné bezpečnostné pokyny
Likvidácia

Popis práčky a zahájenie pracieho programu, 42-43

Ovládací panel
Kontrolky
Zahájenie pracieho programu

Pracie programy, 44

Tabuľka pracích programov
Každodenné rýchle cykly

Užívateľské nastavenia, 45

Nastavenie teploty
Nastavenie odstreďovania
Funkcie

Pracie prostriedky a prádlo, 46

Dávkovač pracích prostriedkov
Príprava prádla
Prádlo vyžadujúce osobitnú starostlivosť
Systém automatického vyváženia náplne

Poruchy a spôsob ich odstránenia, 47

Servisná služba, 48

Inštalácia

SK

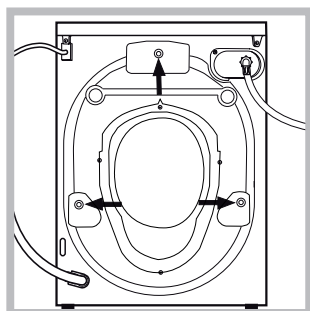
! Je veľmi dôležité uschovať tento návod kvôli prípadnému ďalšiemu použitiu. V prípade predaja, darovania alebo presťahovania práčky sa uistite, že zostane uložený v jej blízkosti, aby mohol poslúžiť novému majiteľovi pri oboznámení sa s činnosťou a s príslušnými upozoreniami.

! Pozorne si prečítajte uvedené pokyny: obsahujú dôležité informácie, týkajúce sa inštalácie, použitia a bezpečnosti pri práci.

Rozbalenie a vyrovnanie do vodorovnej polohy

Rozbalenie

1. Rozbaľte práčku.
2. Skontrolujte, či počas prepravy nedošlo k jej poškodeniu. V prípade, že je poškodená, nezapájajte ju a obráťte sa na predajcu.



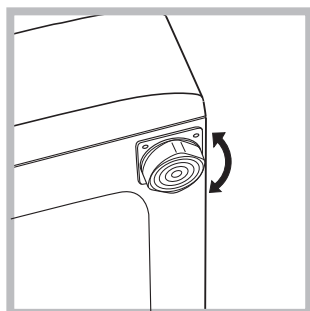
3. Odstráňte 3 skrutky slúžiace na ochranu počas prepravy a gumovú podložku s príslušným dištančným členom, ktoré sa nachádzajú v zadnej časti (vid' obrázok).

4. Uzatvorte otvory po skrutkách plastovými krytkami z príslušenstva.
5. Uschovajte všetky diely: v prípade opätovnej prepravy práčky ich bude potrebné opätovne namontovať.

! Obaly nie sú hračky pre deti!

Vyrovnanie do vodorovnej polohy

1. Práčku je potrebné umiestniť na rovnú a pevnú podlahu tak, aby nebola opretá o stenu, nábytok alebo o niečo iné.

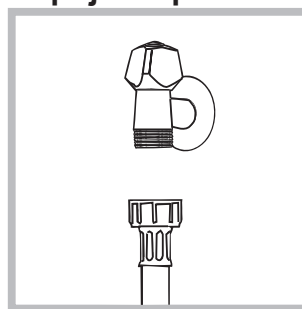


2. V prípade, že podlaha nie je dokonale vodorovná, môžu byť prípadné rozdiely vykompenzované skrútkovaním predných nožičiek (vid' obrázok); Uhol sklonu, nameraný na pracovnej ploche, nesmie presiahnuť 2°.

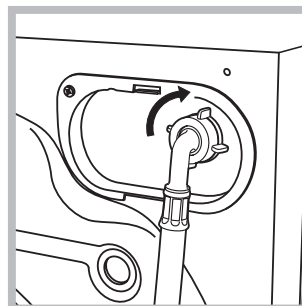
Dokonalé vyrovnanie do vodorovnej polohy zabezpečí stabilitu zariadenia a zamedzí vzniku vibrácií a hluku počas činnosti. V prípade inštalácie na podlahovú krytinu alebo na koberec, nastavte nožičky tak, aby pod práčkou zostal dostatočný voľný priestor na ventiláciu.

Pripojenie k elektrickej a k vodovodnej sieti

Pripojenie prítokovej hadice vody



1. Pripojte prívodnú hadicu jej zaskrutkovaním ku kohútiku so studenou vodou s hrdlom so závitom 3/4" (vid' obrázok). Pred pripojením hadice nechajte vodu odtiecť, až kým nebude číra.



2. Pripojte prítokovú hadicu k práčke, jej zaskrutkovaním k príslušnej prípojke na vodu, umiestnenej vpravo hore (vid' obrázok).

3. Zabezpečte, aby hadica nebola príliš ohnutá alebo stlačená.

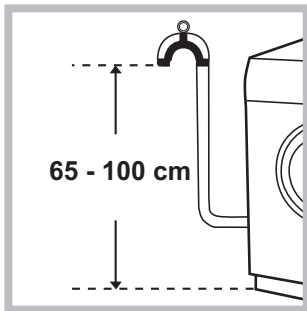
! Tlak v rozvode vody sa musí pohybovať v rozmedzí hodnôt uvedených v tabuľke s technickými údajmi (vid' vedľajšia strana).

! V prípade, že dĺžka prítokovej hadice nebude dostatočná, obráťte sa na špecializovanú predajňu alebo na autorizovaný technický personál.

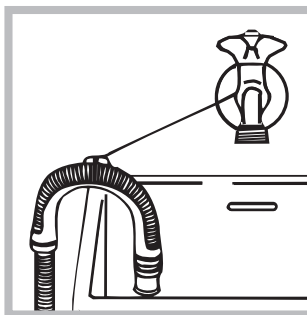
! Nikdy nepoužívajte už použité hadice.

! Používajte hadice z príslušenstva zariadenia.

Pripojenie vypúšťacej hadice



Pripojte vypúšťaciu hadicu, bez toho aby ste ju ohli, k odpadovému potrubiu alebo k odpadu v stene, ktorý sa nachádza od 65 do 100 cm nad zemou;



alebo ju uchyťte k okraju umývadla či vane, a pripevnite vodiaci držiak z príslušenstva ku kohútu (vid' obrázok). Voľný koniec vypúšťacej hadice nesmie zostať ponořený do vody.

! Použitie predlžovacích hadíc sa neodporúča; ak je však nevyhnutné, predlžovacia hadica musí mať rovnaký priemer ako originálna hadica a jej dĺžka nesmie presiahnuť 150 cm.

Pripojenie k elektrickej sieti

Pred zasunutím zástrčky do zásuvky sa uistite, že:

- zásuvka je uzemnená a že vyhovuje normám;
- zásuvka je schopná uniesť maximálnu záťaž odpovedajúcu menovitému príkonu zariadenia, uvedenému v tabuľke s technickými údajmi (vid' vedľa);
- hodnota napájacieho napätia odpovedá údajom uvedeným v tabuľke s technickými údajmi (vid' vedľa);
- zásuvka je kompatibilná so zástrčkou práčky. V opačnom prípade je potrebné vymeniť zásuvku alebo zástrčku.

! Práčka nesmie byť umiestnená vonku – pod holým nebom, a to ani v prípade, keby sa jednalo o miesto chránené pred nepriazňou počasia, pretože je veľmi nebezpečné vystaviť ju dažďu a búrkam.

! Po ukončení inštalácie musí zásuvka zostať ľahko prístupná.

! Nepoužívajte predlžovacie káble a rozvodky.

! Kábel nesmie byť ohnutý alebo pritlačený.

! Výmena kábla musí byť zverená výhradne autorizovanému technickému personálu.

Upozornenie! Výrobca neponesie žiadnu zodpovednosť za následky spôsobené nerešpektovaním týchto pokynov.

Prvý prací cyklus

Po inštalácii zariadenia je potrebné ešte pred jeho použitím vykonať jeden skúšobný cyklus s práčim prostriedkom a bez náplne prádla, nastavením pracieho programu 2.

Technické údaje

| | |
|--|---|
| Model | EWD 61052 |
| Rozmery | šírka 59,5 cm výška 85 cm hĺbka 51,7 cm |
| Kapacita | od 1 do 6 kg |
| Elektrické zapojení | Vid' štítok s technickými údajmi, aplikovaný na zariadení. |
| Pripojenie k rozvodu vody | maximálny tlak 1 MPa (10 bar) maximálny tlak 0,05 MPa (0.5 bar) kapacita bubna 46 litrov |
| Rýchlosť odstredovania | Až do 1000 otáčok za minútu |
| Kontrolné programy podľa smerníc 1061/2010 a 1015/2010 | Program 15: Eco bavlnu 60°C. Program 15: Eco bavlnu 40°C. |
|  | Toto zariadenie je v zhode s nasledujúcimi smernicami Európskej únie: - 2004/108/CE (Elektromagnetická kompatibilita) - 2006/95/CE (Nízke napätie) - 2012/19/EU - WEEE |

Údržba a starostlivosť

SK

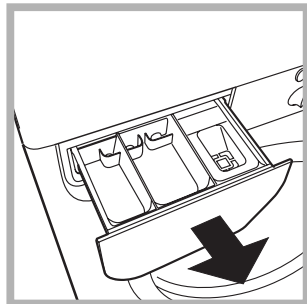
Uzavretie prívodu vody a vypnutie elektrického napájania

- Po každom praní uzatvorte prívod vody. Týmto spôsobom sa znižuje opotrebenie rozvodu vody zariadenia a znižuje sa nebezpečenstvo úniku vody.
- Pred zahájením čistenia práčky a počas údržby je potrebné vytiahnuť zástrčku prívodného kábla zo zásuvky.

Čistenie práčky

Vonkajšie časti a časti z gumy môžu byť čistené utierkou navlhčenou vo vlažnej vode a saponáte. Nepoužívajte rozpúšťadlá alebo abrazívne prostriedky.

Čistenie dávkovača pracích prostriedkov



Vytiahnite dávkovač jeho nadvihnutím a vytiahnutím smerom von (vid' obrázok). Dávkovač umyte pod prúdom vody; toto čistenie je potrebné vykonávať pravidelne.

Starostlivosť o dvierka a bubon

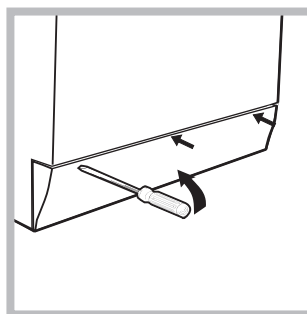
- Dvierka ponechajte zakaždým pootvorené, aby sa zabránilo tvorbe nepríjemných zápachov.

Čistenie čerpadla

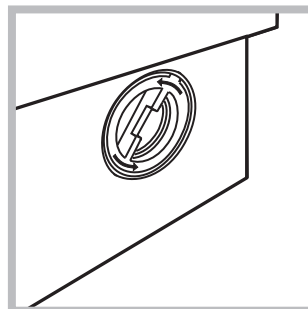
Súčasťou práčky je samočistiace čerpadlo, ktoré nevyžaduje údržbu. Môže sa však stať, že sa v jeho vstupnej ochrannej časti, nachádzajúcej na spodku, zachytia drobné predmety (mince, gombíky).

! Uistite sa, že prací cyklus bol ukončený a vytiahnite zástrčku zo zásuvky.

Prístup k vstupnej časti čerpadla:



1. pomocou skrutkovača odstráňte krycí panel, nachádzajúci sa v prednej časti práčky (vid' obrázok);



2. odskrutkujte veko otáčaním proti smeru hodinových ručičiek (vid' obrázok): vytečenie malého množstva vody je úplne bežným javom;

3. dokonale vyčistite vnútro;
4. nasadte naspäť veko;
5. namontujte naspäť krycí panel, pričom sa pred jeho prisunutím k práčke uistite, že došlo k správne zachyteniu háčikov do príslušných otvorov.

Skontrolujte prítokovú hadicu vodu

Stav prítokovej hadice je potrebné skontrolovať aspoň raz ročne. Ak sú na nej viditeľné praskliny alebo trhliny, je potrebné ju vymeniť: silný tlak v hadici počas pracieho cyklu by mohol spôsobiť jej náhle roztrhnutie.

! Nikdy nepoužívajte už použité hadice.

! Práčka bola navrhnutá a vyrobená v súlade s platnými medzinárodnými bezpečnostnými predpismi. Tieto upozornenia sú uvádzané z bezpečnostných dôvodov a je potrebné si ich pozorne prečítať.

Základné bezpečnostné pokyny

- Toto zariadenie bolo navrhnuté výhradne na použitie ako spotrebič.
- Toto zariadenie smú používať deti od 8 rokov, osoby náležite vyškolené ohľadne bezpečného použitia zariadenia, ktoré si uvedomujú súvisiace nebezpečenstvo a v prípade dozoru aj osoby so zníženými fyzickými, senzorickými alebo duševnými schopnosťami alebo osoby s nedostatočnými skúsenosťami a znalosťami. Deti sa so zariadením nesmú hrať. Operácie údržby a čistenia nesmú vykonávať deti bez dohľadu.
- Nedotýkajte sa zariadenia bosí, alebo v prípade, keď máte mokré ruky alebo nohy.
- Nevyťahujte zástrčku zo zásuvky ťahaním za kábel, ale uchopením za zástrčku.
- Neotvárajte dávkovač pracích prostriedkov počas činnosti zariadenia.
- Nedotýkajte sa odčerpávanej vody, pretože môže mať veľmi vysokú teplotu.
- V žiadnom prípade sa nepokúšajte o násilné otvorenie dvierok: mohlo by dôjsť k poškodeniu bezpečnostného uzáveru, ktorý zabraňuje náhodnému otvoreniu.
- Pri výskyte poruchy sa v žiadnom prípade nepokúšajte o opravu vnútorných častí zariadenia.
- Vždy majte pod kontrolou deti a zabráňte tomu, aby sa približovali k zariadeniu počas pracieho cyklu.
- Počas pracieho cyklu majú dvierka tendenciu zohrievať sa.
- Ak je potrebné ju presunúť, je dobré poveriť dve alebo tri osoby a vykonať to s maximálnou pozornosťou. Nikdy sa nepokúšajte zariadenie premiestňovať sami, pretože je veľmi ťažké.
- Pred zahájením vkladania prádla skontrolujte, či je bubon prázdny.

Likvidácia

- Likvidácia obalových materiálov: pri ich odstránení postupujte v súlade s miestnymi predpismi a dbajte na možnú recykláciu.
- Európska smernica 2012/19/EU - WEEE o odpadových elektrických a elektronických zariadeniach stanovuje, že staré domáce elektrické spotrebiče nesmú byť odkladané do bežného netriedeného domového odpadu. Staré spotrebiče musia byť odovzdané do oddeleného zberu a to za účelom recyklácie a optimálneho využitia materiálov, ktoré obsahujú, z dôvodu prevencie negatívneho dopadu na ľudské zdravie a životné prostredie.

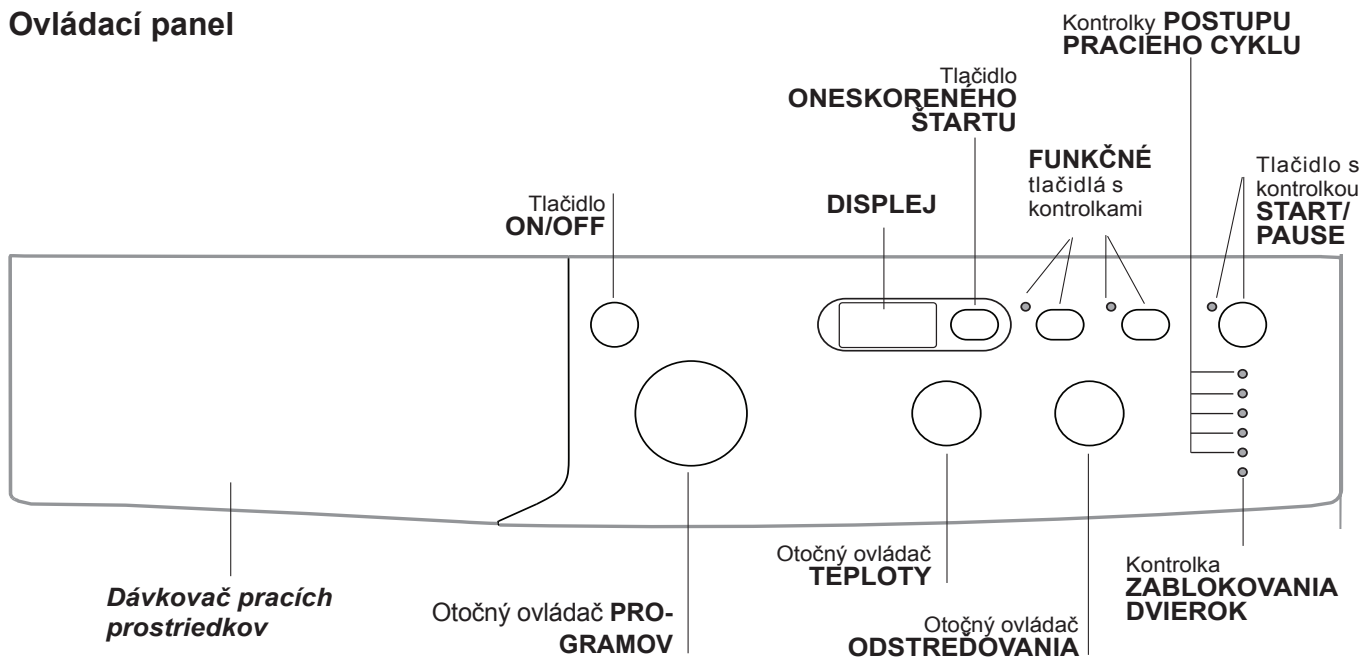
Symbol “prečiarknutej popolnice” na výrobku Vás upozorňuje na povinnosť odovzdať zariadenie po skončení jeho životnosti do oddeleného zberu.

Spotrebitelia majú povinnosť kontaktovať ich lokálny úrad alebo maloobchod kvôli informáciám týkajúcich sa správneho odovzdaniu a likvidácie ich starých spotrebičov.

Popis práčky a zahájenie pracieho programu

SK

Ovládací panel



Dávkovač pracích prostriedkov: slúži na dávkovanie pracích prostriedkov a prídavných prostriedkov (vid' „Pracie prostriedky a prádlo“).

Tlačidlo **ON/OFF**: slúži na zapnutie a vypnutie práčky.


Otočný ovládač **PROGRAMOV**: pre nastavenie pracích programov. Počas pracieho programu zostane v rovnakej polohe.

FUNKČNÉ tlačidlá s kontrolkami: Slúžia na voľbu jednotlivých dostupných funkcií. Kontrolka zvolenej funkcie zostane rozsvietená.

Otočný ovládač **ODSTREĐOVANIA**: slúži na nastavenie odstredovania alebo na jeho vylúčenie (vid' „Užívateľské nastavenia“).

Otočný ovládač **TEPLOTY**: slúži na nastavenie teploty alebo prania alebo prania v studenej vode (vid' „Užívateľské nastavenia“).


DISPLEJ: pre zobrazenie doby trvania rôznych programov a po zahájení činnosti aj pre zobrazenie doby zostávajúcej do jeho ukončenia; v prípade nastavenia **ONESKORENÉHO ŠTARTU** bude zobrazená doba zostávajúca do zahájenia zvoleného programu.

Tlačidlo **ONESKORENÉHO ŠTARTU** : stlačte za účelom nastavenia oneskoreného štartu zvoleného programu. Doba, o ktorú bude štart oneskorený, bude zobrazená na displeji.

Kontrolky POSTUPU PRACIEHO CYKLU: slúžia na kontrolu postupu pracieho programu. Rozsvietená kontrolka poukazuje na prebiehajúcu fázu.

Kontrolka ZABLOKOVANIA DVIEROK: informuje o tom, či je možné otvoriť dverka (vid' vedľajšia strana).

Tlačidlo s kontrolkou **START/PAUSE**: slúži na zahájenie alebo na dočasné prerušenie programov.

POZN.: Stlačenie tohoto tlačidla slúži na prerušenie prebiehajúceho prania; príslušná kontrolka bude blikať oranžovým svetlom, zatiaľ čo kontrolka prebiehajúcej fázy zostane rozsvietená stálym svetlom. Keď bude kontrolka **ZABLOKOVANIA DVIEROK**  zhasnutá, bude možné otvoriť dverka (vyčkajte približne 3 minúty). Pre opätovné zahájenie prania z bodu, v ktorom bolo prerušené, opätovne stlačte toto tlačidlo.

Pohotovostný režim


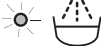


Po skončení cyklu alebo v case, keď nie je spustený žiaden cyklus, po 30 minútach dôjde k vypnutiu zariadenia kvôli energetickej úspore. Na obnovenie činnosti zariadenia, nachádzajúceho sa v pohotovostnom režime, stačí stlačiť tlačidlo **ON/OFF**.

Kontrolky

Kontrolky sú zdrojom dôležitých informácií. Informujú o nasledujúcich skutočnostiach:

Kontrolky prebiehajúcej fázy

Po zvolení a zahájení požadovaného pracovného cyklu dôjde k postupnému rozsvetovaniu kontroliek informujúcich o jeho postupe.

| | |
|------------------|---|
| Pranie | ●  |
| Plákanie | ●  |
| Odstreďovanie | ●  |
| Odčerpanie vody | ●  |
| Ukončenie prania | ● END |

Funkčné tlačidlá a príslušné kontrolky


Po zvolení konkrétnej funkcie dôjde k rozsvieteniu príslušnej kontrolky.

Keď zvolenú funkciu nie je možné zaradiť do nastaveného programu, príslušná kontrolka bude blikať, budete počuť akustický signál a funkcia nebude aktivovaná. V prípade, že zvolená funkcia nie je kompatibilná s inou predtým zvolenou funkciou, kontrolka prvej voľiteľnej funkcie bude blikať a bude aktivovaná len druhá, pričom kontrolka zvolenej funkcie sa rozsvieti stálym svetlom.

Kontrolka zablokovania dvierok

Rozsvietenie tejto kontrolky signalizuje, že dvierka sú zaistené kvôli zamedzeniu ich náhodnému otvoreniu; aby sa dvierka nepoškodili, pred ich otvorením je potrebné vyčkať, kým uvedená kontrolka nezhasne; (vyčkajte približne 3 minúty). Na otvorenie dvierok v priebehu pracovného cyklu stlačte tlačidlo START/PAUSE; keď bude kontrolka ZABLOKOVANIA DVIEROK zhasnutá, bude možné dvierka otvoriť.

Zahájenie pracovného programu

1. Zapnite práčku stlačením tlačidla ON/OFF. Všetky kontrolky sa rozsvetia na niekoľko sekúnd, potom zhasnú a bude blikať kontrolka START/PAUSE.
2. Naplňte práčku a zatvorte dvierka.
3. Otočným ovládačom PROGRAMOV zvolte požadovaný prací program.
4. Nastavte teplotu prania (vid' „Užívateľské nastavenia“).
5. Nastavte rýchlosť odstreďovania (vid' „Užívateľské nastavenia“).
6. slúži na dávkovanie pracovného prostriedku a prídavných prostriedkov (vid' „Pracie prostriedky a prádlo“).
7. Zvolte požadované funkcie.
8. Zahajte prací program stlačením tlačidla START/PAUSE a príslušná kontrolka zostane rozsvietená stálym svetlom zelenej farby. Zrušenie nastaveného pracovného cyklu sa vykonáva prerušením činnosti zariadenia stlačením tlačidla START/PAUSE a voľbou nového cyklu.
9. Po ukončení pracovného programu sa rozsvieti kontrolka END. Po zhasnutí kontrolky ZABLOKOVANIA DVIEROK  bude možné dvierka otvoriť (vyčkajte približne 3 minúty). Vytiahnite prádlo a nechajte dvierka pootvorené, aby bolo umožnené vysušenie bubna. Zapnite práčku stlačením tlačidla ON/OFF.

Pracie programy

SK

Tabuľka pracích programov

| Pracie programy | Popis programu | Max. Teplota (°C) | Max. rýchlosť (otáčky za minútu) | Pracie prostriedky | | | Max. náplň (kg) | Zvýšková vlhkosť % | Spotreba energie kWh | Voda celkom lt | Doba trvania cyklu |
|-------------------|---|-------------------|----------------------------------|--------------------|--------|--------|-----------------|--------------------|----------------------|----------------|--------------------|
| | | | | Predpranie | Pranie | Avivaz | | | | | |
| EVERYDAY FAST | | | | | | | | | | | |
| 1 | Zmiešané Farebné 59' | 40° | 1000 | - | ● | ● | 6 | - | - | - | 59' |
| 2 | Bavlna 59' | 60° | 1000 | - | ● | ● | 6 | - | - | - | 59' |
| 3 | Bavlna 45' | 40° | 1000 | - | ● | ● | 3 | - | - | - | 45' |
| 4 | Syntetika 59' (3) | 40° (Max. 60°) | 1000 | - | ● | ● | 3 | 44 | 0,50 | 39 | 59' |
| 5 | Zmiešané 30' | 30° | 800 | - | ● | ● | 3 | 70 | 0,17 | 31 | 30' |
| 6 | Expres 20' | 20° | 800 | - | ● | ● | 3 | - | - | - | 20' |
| Special & Partial | | | | | | | | | | | |
| 7 | Športový odev | 40° | 600 | - | ● | ● | 3 | - | - | - | ** |
| 8 | Športová obuv | 30° | 600 | - | ● | ● | Max. 2 pairs | - | - | - | ** |
| 9 | Detský program | 40° | 800 | - | ● | ● | 2 | - | - | - | ** |
| 10 | Plákanie | - | 1000 | - | - | ● | 6 | - | - | - | ** |
| 11 | Odstred'ovanie + Odčerpanie vody | - | 1000 | - | - | - | 6 | - | - | - | ** |
| 11 | Samostatné odčerpanie vody * | - | | - | - | - | 6 | - | - | - | ** |
| Dedicated | | | | | | | | | | | |
| 12 | Prádlo plnené perím: Pre prádlo plnené husím perím. | 30° | 1000 | - | ● | ● | 1,5 | - | - | - | ** |
| 13 | Vlna: Pre vlnu, kašmír, atd. | 40° | 800 | - | ● | ● | 1,5 | - | - | - | ** |
| 14 | HODVÁB/ZÁCLONY: Pre prádlo z hodvábu, viskózy, spodné prádlo. | 30° | 0 | - | ● | ● | 1 | - | - | - | ** |
| 15 | Eco bavlnu 60°C (1): Znacne špinavé biele a farebné prádlo z odolných tkanín. | 60° | 1000 | - | ● | ● | 6 | 62 | 0,91 | 50,0 | 190' |
| 15 | Eco bavlnu 40°C (2): Znacne špinavé biele a farebné prádlo z chúlolistivých tkanín. | 40° | 1000 | - | ● | ● | 6 | 62 | 0,85 | 76 | 170' |
| 16 | Bavlna + Predpranie: Mimoriadne špinavé biele prádlo. | 90° | 1000 | ● | ● | ● | 6 | - | - | - | ** |

* V prípade voľby programu 11 a vylúčenia odstred'ovania, zariadenie vykoná len odčerpanie vody.

** Je možné kontrolovať dobu trvania pracích programov na displeji.

Doba trvania cyklu, uvedená na displeji alebo v návode, je stanovená na základe štandardných podmienok. Skutočná doba sa môže meniť v závislosti na mnohých faktoroch, ako sú napr. teplota a tlak vody na vstupe, teplota prostredia, množstvo pracieho prostriedku, množstvo a druh náplne, vyváženie náplne a zvolené funkcie.

1) Kontrolný program podľa predpisov 1061/2010: nastavte program 15 s teplotou 60°C.

Tento cyklus je vhodný pre pranie bežne znečisteného bavlneného prádla a jedná sa o najúčinnjší cyklus z hľadiska kombinovanej spotreby energie a vody, určený pre prádlo, ktoré je možné prať pri teplote do 60°C. Skutočná teplota prania sa môže líšiť od uvedenej.

2) Kontrolný program podľa predpisov 1061/2010: nastavte program 15 s teplotou 40°C.

Tento cyklus je vhodný pre pranie bežne znečisteného bavlneného prádla a jedná sa o najúčinnjší cyklus z hľadiska kombinovanej spotreby energie a vody, určený pre prádlo, ktoré je možné prať pri teplote do 40°C. Skutočná teplota prania sa môže líšiť od uvedenej.

Pre všetky Test Institutes:

2) Dlhý program na pranie bavlny: nastavte program 15 s teplotou 40°C.

3) Dlhý program pre syntetiku: nastavte program 4 a potom zvolte možnosť "Extra Wash

Každodenné rýchle cykly

Kompletná rada rýchlych programov na pranie najbežnejších tkanín aj pri max. náplni a na odstránenie najbežnejšieho každodenného znečistenia v priebehu menej ako 1 hodiny.

Zmiešané Farebné 59': na pranie zmiešaného i farebného prádla spolu.

Bavlna 59': cyklus navrhnutý na pranie bavlneného, prevažne bieleho prádla. Je možné ho používať i s pracím práškom.

Bavlna 45': krátky cyklus navrhnutý na pranie chúlolistivého bavlneného prádla.

Syntetika 59': špecifický cyklus na pranie oblečenia zo syntetických tkanín. V prípade odolnejších nečistôt je možné zvýšiť teplotu až do 60° a použiť aj prací prášok.

Zmiešané 30': krátky cyklus navrhnutý pre spoločné pranie bavlneného i syntetického prádla, bieleho i farebného.

Expres 20': program, po ktorom bude vaše prádlo svieže a voňavé v priebehu 20 minút.

Nastavenie teploty

Otáčaním otočného ovládača TEPLOTY sa nastavuje teplota prania (viď *Tabuľka programov*).

Teplota môže byť postupne znižovaná až po pranie v studenej vode (❄).

Zariadenie automaticky zabráni nastaveniu vyššej teploty ako je maximálna teplota pre každý prací program.


! Výnimka: pri voľbe programu 4 bude možné zvýšiť teplotu až na 60°C.

Nastavenie odstredovania

Otáčaním otočného ovládača Odstredovania sa nastavuje rýchlosť odstredovania zvoleného pracieho programu.

Maximálne rýchlosti pre jednotlivé prací programy sú:

| Prací programy | Maximálna rýchlosť |
|--------------------|-----------------------|
| Bavlna | 1000 otáčok za minútu |
| Syntetické tkaniny | 1000 otáčok za minútu |
| Vlna | 800 otáčok za minútu |
| Hodváb | len odčerpanie vody |

Rýchlosť odstredovania môže byť znížená, alebo odstredovanie môže byť vylúčené voľbou symbolu .

Zariadenie automaticky zabráni nastaveniu vyššej rýchlosti odstredovania ako je maximálna rýchlosť pre každý prací program.

Funkcie

Jednotlivé funkcie, ktorými práčka disponuje, umožňujú dosiahnuť požadovaný stupeň čistoty a belosti praného prádla.


Spôsob aktivácie jednotlivých funkcií:

1. stlačte príslušné tlačidlo požadovanej funkcie;
2. rozsvietenie príslušnej kontrolky signalizuje, že došlo k aktivácii zvolenej funkcie.


Poznámka:

- Keď zvolenú funkciu nie je možné zaradiť do nastaveného programu, príslušná kontrolka bude blikať, budete počuť akustický signál a funkcia nebude aktivovaná.
- V prípade, že zvolená funkcia nie je kompatibilná s inou predtým zvolenou funkciou, kontrolka prvej voliteľnej funkcie bude blikať a bude aktivovaná len druhá, pričom kontrolka zvolenej funkcie sa rozsvieti stálym svetlom.


Oneskoreného štartu

Pre nastavenie oneskoreného štartu zvoleného programu stlačajte príslušné tlačidlo, až kým nenastavíte požadovanú dobu oneskorenia. Keď je táto funkcia zvolená, na displeji sa rozsvieti symbol . Na zrušenie oneskoreného štartu je potrebné stlačiť tlačidlo, až kým sa na displeji nezobrazí symbol "OFF".

Extra Wash

Pre veľmi znečistené prádlo aktivujte možnosť Extra Wash , ak je táto funkcia dostupná. Po stlačení tohto tlačidla cyklus automaticky prispôsobí všetky parametre prania a prejde na dlhší cyklus. Táto možnosť ponechá nezmenenú teplotu, zatiaľ čo odstredovanie bude automaticky nastavené na maximálnu úroveň. Užívateľ môže vždy prestaviť odstredovanie na požadovanú hodnotu.

Energy Saver

Možnosť  Energy Saver vám umožňuje prať bavlnené a syntetické prádlo s ušetrením energie a teda šetriť aj životné prostredie. Úspora vzniká tým že pranie prebieha za studena, zatiaľ čo zintenzívnením mechanického pôsobenia a optimalizáciou spotreby vody je aj napriek nízkej teplote dosiahnutý požadovaný výsledok. Táto možnosť je vhodná na pranie mierne znečisteného prádla. Odporúča sa použitie tekutého pracieho prostriedku.

Pracie prostriedky a prádlo

SK

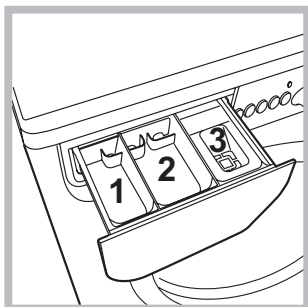
Dávkovač pracích prostriedkov

Dobry výsledok prania závisí aj od správneho dávkovania pracieho prostriedku: použitie nadmerného množstva znižuje efektívnosť prania a napomáha tvorbe vodného kameňa na vnútorných častiach práčky a zvyšuje znečistenie životného prostredia.

! Nepoužívajte pracie prostriedky určené na pranie v rukách, pretože spôsobujú tvorbu nadmerného množstva peny.

! Používajte práškové pracie prostriedky pre biele bavlnené prádlo a pre predpieranie a pre pranie pri teplote vyššej ako 60 °C.

! Dodržujte pokyny uvedené na obale pracieho prostriedku.



Pri vyťahovaní dávkovača pracích prostriedkov a pri jeho plnení pracími alebo prídavnými prostriedkami postupujte nasledovne.

priehradka 1: Prací prostriedok na predpieranie (práškový)

priehradka 2: Prací prostriedok na pranie (práškový alebo tekutý)

Tekutý prací prostriedok sa nalieva len tesne pred zahájením pracieho cyklu.

priehradka 3: Prídavné prostriedky (aviváž, atď.)

Aviváž nesmie vytekať z mriežky.

Poznámka: V prípade použitia „pracích tabliet“ sa odporúča vždy dodržiavať pokyny výrobcu.

Príprava prádla

- Roztriedte prádlo podľa:
 - druhu tkaniny / symbolu na visačke.
 - farby: oddelte farebné prádlo od bieleho.
- Vyprázdňte vrecká a skontrolujte gombíky.
- Neprekračujte hodnoty povolenej náplne uvedenej v „Tabuľka pracích programov“, vzťahujúce sa na hmotnosť suchého prádla:

Koľko váži prádlo?

- 1 plachta 400-500 g
- 1 obliečka 150-200 g
- 1 obrus 400-500 g
- 1 župan 900-1.200 g
- 1 uterák 150-250 g

Prádlo vyžadujúce osobitnú starostlivosť

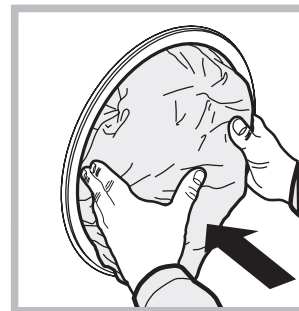
Športový odev: cyklus vhodný pre spoločné pranie športového prádla, vrátane uteráka z telocvične, s ohľadom na vlákna (vychádzajte z pokynov uvedených na visačkách na oblečenie).

Športová obuv: cyklus navrhnutý na bezpečné pranie až do 2 párov športovej obuvi súčasne.

Pred vložením obuvi do koša sa odporúča zaviazať šnúrky.

Detský program: cyklus, ktorý bol navrhnutý pre typické znečistenie detského oblečenia i pre účinné odstránenie prípadných stôp zvyšného pracieho prostriedku.

Prádlo plnené perím: na pranie prádla plneného husacím perím, ako napríklad samostatné periny (nepresahujúce hmotnosť 1,5 kg), hlavnice, vetrovky, používajte príslušný program 12. Odporúča sa vkladať periny do bubna tak, že sa ich obidva okraje zložia smerom dovnútra (viď obrázky) a nesmiete pritom prekročiť ¼ celkový objem samotného bubna. Za účelom optimálneho prania sa odporúča použiť tekutý prací prostriedok a dávkovať ho prostredníctvom dávkovača pracích prostriedkov.



Vlna: S programom 13 je možné prať v práčke všetky druhy vlneného prádla, aj tie, ktoré sú označené visačkou „prať len v rukách“ (☹). Pre dosiahnutie optimálnych výsledkov používajte špecifický prací prostriedok a neprekračujte náplň 1,5 kg.

Hodváb: použite príslušný program 14 na pranie všetkého prádla z hodvábu. Odporúča sa použitie pracieho prostriedku pre chústovité prádlo.

Záclony: odporúča sa ich poskladať a vložiť do sáčku dodaného v rámci príslušenstva. Použite program 14.

Systém automatického vyváženia náplne

Pred každým odstredovaním bubon vykoná otáčanie rýchlosťou o málo prevyšujúcou rýchlosť prania, aby sa tak odstránili vibrácie a aby sa náplň rovnomerne rozložila. V prípade, že po niekoľko násobných pokusoch o vyváženie prádlo ešte nebude správne vyvážené, zariadenie vykoná odstredovanie nižšou rýchlosťou, ako je prednastavená rýchlosť. Ak je práčka nadmerne nevyvážená, vykoná namiesto odstredovania vyváženie. Za účelom dosiahnutia rovnomernejšieho rozloženia náplne a jej správneho vyváženia, odporúča sa pomiešať veľké a malé kusy prádla.

Môže sa stať, že práčka nebude fungovať. Skôr, ako zatelefonujete na Servisnú službu *vid' „Servisná služba“*) skontrolujte, či sa nejedná o problém ľahko odstrániteľný pomocou nasledujúceho zoznamu.

Poruchy:

Pračku nie je možné zapnúť.

Možné príčiny / Spôsob ich odstránenia:

- Zástrčka nie je zasunutá v elektrickej zásuvke, alebo nie je zasunutá dostatočne, aby došlo k spojeniu kontaktov.
- V celom dome je vypnutý prúd.

Nedochádza k zahájeniu pracovného cyklu.

- Nie sú riadne zatvorené dverka.
- Nebolo stlačené tlačidlo ON/OFF.
- Nebolo stlačené tlačidlo START/PAUSE.
- Nebol otvorený kohútik prívodu vody.
- Bol nastavený oneskorený štart (*vid' „Užívateľské nastavenia“*).

Do práčky nie je napúšťaná voda (Na displeji je zobrazený blikajúci nápis „H2O“).

- Prítoková hadica nie je pripojená k vodovodnému kohútiku.
- Hadica je príliš ohnutá.
- Nebol otvorený kohútik prívodu vody.
- V celom dome je uzatvorený prívod vody.
- V rozvode vody nie je dostatočný tlak.
- Nebolo stlačené tlačidlo START/PAUSE.

Práčka nepretržite napúšťa a odčerpáva vodu.

- Vypúšťacia hadica sa nachádza mimo určeného rozmedzia od 65 do 100 cm nad zemou (*vid' „Inštalácia“*).
 - Koncová časť vypúšťacej hadice je ponorená vo vode (*vid' „Inštalácia“*).
 - Odpadové potrubie v stene nie je vybavené odvodušňovacím otvorom.
- Ak po týchto kontrolách nedôjde k odstráneniu problému, zatvorte vodovodný kohútik, vypnite práčku a zavolajte Servisnú službu. V prípade, že sa byt nachádza na jednom z najvyšších poschodí je možné, že dochádza k sifónovému efektu, následkom ktorého práčka nepretržite napúšťa a odčerpáva vodu. Na odstránenie uvedeného efektu sú v predaji bežne dostupné špeciálne „protisifónové“ ventily.

Práčka neodčerpáva vodu alebo neodstredzuje.

- Odčerpanie vody netvorí súčasť nastaveného programu: pri niektorých programoch je potrebné aktivovať ho manuálne.
- Vypúšťacia hadica je ohnutá (*vid' „Inštalácia“*).
- Odpadové potrubie je upchaté.

Práčka vo fáze odstredovania veľmi vibruje.

- Počas inštalácie nebol bubon odistený predpísaným spôsobom (*vid' „Inštalácia“*).
- Práčka nie je dokonale vyrovnaná do vodorovnej polohy (*vid' „Inštalácia“*).
- Zariadenie je stlačené medzi nábytkom a stenou (*vid' „Inštalácia“*).

Z práčky uniká voda.

- Prítoková hadica nie je správne zaskrutkovaná (*vid' „Inštalácia“*).
- Dávkovač prací prostriedkov je upchatý (spôsob jeho vyčistenia je uvedený v časti *„Údržba a starostlivosť“*).
- Vypúšťacia hadica nie je dobre pripevnená (*vid' „Inštalácia“*).

Kontrolky „voliteľné funkcie“ a kontrolka „štart/pauza“ blikajú a jedna z kontroliek „prebiehajúca fáza“ a „ZABLOKOVANIA DVIEROK“ sa rozsvieti stálym svetlom.

- Vypnite zariadenie a vytiahnite zástrčku zo zásuvky, vyčkajte 1 minútu a opätovne ho zapnite.
- Ak porucha pretrváva, obráťte sa na Servisnú službu.

Dochádza k tvorbe nadmerného množstva peny.

- Použitý prací prostriedok nie je vhodný na použitie v automatickej práčke (musí obsahovať označenie „pre pranie v práčke“, „pre pranie v rukách alebo v práčke“ alebo podobné označenie).
- Bolo použité jeho nadmerné množstvo.

Servisná služba

SK

Pred obrátením sa na Servisnú službu:

- Skontrolujte, či nie ste schopní poruchu odstrániť sami (vid' „Poruchy a spôsob ich odstránenia“);
- Opätovne uveďte do chodu prací program, s cieľom overiť, či bola porucha odstránená;
- V opačnom prípade sa obráťte na Centrum servisnej služby, na telefónnom čísle uvedenom na záručnom liste.

! Nikdy sa neobracajte so žiadosťou o pomoc na technikov, ktorí nie sú na vykonávanie tejto činnosti oprávnení.

Pri hlásení poruchy uveďte:

- druh poruchy;
- model zariadenia (Mod.);
- výrobné číslo (S/N).

Tieto informácie sú uvedené na štítku aplikovanom na zadnej časti práčky a v jej prednej časti, dostupnej po otvorení dvierok.

| DELEGOVANÉ NARIADENIE KOMISIE (EÚ) č. 1061/2010 | |
|--|----------------|
| Značka | INDESIT |
| Model | EWD 61052 W EU |
| Menovitá kapacita bavlnenej látky v kg | 6 |
| Trieda energetickej účinnosti na stupnici A+++ (najnižšia spotreba) až G (vysoká spotreba) | A++ |
| Ročná spotreba energie v kWh ¹⁾ | 173 |
| Spotreba energie štandardného programu na bavlnu pre pranie pri 60 °C s celou náplňou v kWh ²⁾ | 0.932 |
| Spotreba energie štandardného programu na bavlnu pre pranie pri 60 °C s polovičnou náplňou v kWh ²⁾ | 0.67 |
| Spotreba energie štandardného programu na bavlnu pre pranie pri 40 °C s polovičnou náplňou v kWh ²⁾ | 0.592 |
| Vážená spotreba energie vo vypnutom stave vo W | 0.5 |
| Vážená spotreba energie v režime ponechania v zapnutom stave vo W | 8 |
| Ročná spotreba vody v litroch ³⁾ | 8400 |
| Trieda účinnosti sušenia odstredovaním na stupnici od G (najmenšia účinnosť) do A (najvyššia účinnosť) | C |
| Maximálne otáčky pri odstredovaní ⁴⁾ | 1000 |
| Zostatkový obsah vlhkosti v % ⁵⁾ | 62.0% |
| Trvanie „štandardného programu na bavlnu pre pranie pri 60 °C“ s celou náplňou v minútach. | 190 |
| Trvanie „štandardného programu na bavlnu pre pranie pri 60 °C“ s polovičnou náplňou v minútach. | 150 |
| Trvanie „štandardného programu na bavlnu pre pranie pri 40 °C“ s polovičnou náplňou v minútach. | 145 |
| Trvanie režimu ponechania v zapnutom stave v minútach | 30 |
| Emisia hluku v dB(A) re 1 pW počas prania ⁶⁾ | 62 |
| Emisia hluku v dB(A) re 1 pW počas odstredovania ⁶⁾ | 80 |
| Vstavaný spotrebič | |

¹⁾ „Štandardný program na bavlnu pre pranie pri 60 °C“ s celou náplňou a polovičnou náplňou a štandardný program na bavlnu pre pranie pri 40°C s polovičnou náplňou sú štandardné pracie programy, na ktoré sa vzťahujú informácie uvedené na energetickom štítku a v informačnom liste. Tieto programy sú vhodné na pranie bežne znečistenej bavlnenej bielizne a jedná sa o najúčinnějšíe programy z hľadiska kombinovanej spotreby energie a vody.

²⁾ Na základe 220 štandardných pracích cyklov s programami na bavlnu pre pranie pri 60 °C a 40 °C s celou a polovičnou náplňou a spotreba v režimoch s nízkou spotrebou energie. Skutočná spotreba energie bude závisieť na tom, ako je spotrebič používaný.

³⁾ Na základe 220 štandardných pracích cyklov s programami na bavlnu pre pranie pri 60 °C a 40 °C s celou a polovičnou náplňou. Skutočná spotreba vody bude závisieť na tom, ako je spotrebič používaný.

⁴⁾ U štandardného programu na bavlnu pre pranie pri 60 °C s celou náplňou alebo u štandardného programu na Uavlnu pre pranie pri 40 °C s polovičnou náplňou podľa toho, ktorá hodnota je menšia.

⁵⁾ U štandardného programu na bavlnu pre pranie pri 60 °C s celou náplňou alebo u štandardného programu na bavlnu pre pranie pri 40 °C s polovičnou náplňou podľa toho, ktorá hodnota je väčšia.

⁶⁾ Počas fázy prania a odstredovania u štandardného programu na bavlnu pre pranie pri 60 °C s celou náplňou.

GR

Ελληνικά

EWD 61052

Περιεχόμενα

Εγκατάσταση, 50-51

Αποσυναρμολόγηση και οριζόντιωση
Υδραυλικές και ηλεκτρικές συνδέσεις
Πρώτος κύκλος πλυσίματος
Τεχνικά στοιχεία

Συντήρηση και φροντίδα, 52

Αποκλεισμός νερού και ηλεκτρικού ρεύματος
Καθαρισμός του πλυντηρίου
Καθαρισμός του συρταριού απορρυπαντικών
Φροντίδα της πόρτας και του κάδου
Καθαρισμός της αντλίας
Έλεγχος του σωλήνα τροφοδοσίας του νερού

Προφυλάξεις και συμβουλές, 53

Γενική ασφάλεια
Διάθεση

Περιγραφή του πλυντηρίου και εκκίνηση ενός προγράμματος, 54-55

Πίνακας ελέγχου
Ενδεικτικά φωτάκια
Εκκίνηση ενός προγράμματος

Προγράμματα, 56

Πίνακας των Προγραμμάτων
Ημερήσιοι γρήγοροι κύκλοι

Εξατομικεύσεις, 57

Θέστε τη θερμοκρασία
Θέστε το στύψιμο
Λειτουργίες

Απορρυπαντικά και μπουγάδα, 58

Θήκη απορρυπαντικών
Προετοιμασία της μπουγάδας
Ειδικά ρούχα
Σύστημα ισοστάθμισης του φορτίου

Ανωμαλίες και λύσεις, 59

Υποστήριξη, 60

Εγκατάσταση

GR

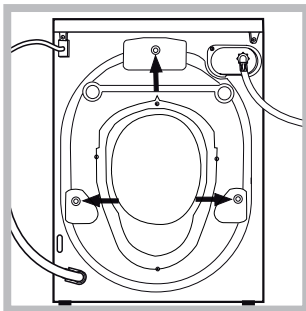
! Είναι σημαντικό να διατηρήσετε το εγχειρίδιο αυτό για να μπορείτε να το συμβουλευέστε οποιαδήποτε στιγμή. Σε περίπτωση πώλησης, παραχώρησης ή μετακόμισης, βεβαιωθείτε ότι παραμένει μαζί με το πλυντήριο για να πληροφορεί τον νέο ιδιοκτήτη για τη λειτουργία και τις σχετικές προειδοποιήσεις.

! Διαβάστε προσεκτικά τις οδηγίες: υπάρχουν σημαντικές πληροφορίες για την εγκατάσταση, τη χρήση και την ασφάλεια.

Αποσυσκευασία και οριζόντιωση

Αποσυσκευασία

1. Αποσυσκευάστε το πλυντήριο.
2. Ελέγξτε αν το πλυντήριο έχει υποστεί ζημιές κατά τη μεταφορά. Αν έχει υποστεί ζημιές μην το συνδέετε και επικοινωνήστε με τον μεταπωλητή.



3. Αφαιρέστε τις 3 βίδες προστασίας για τη μεταφορά και το λαστιχάκι με το σχετικό διαχωριστικό, που βρίσκονται στο πίσω μέρος (βλέπε εικόνα).

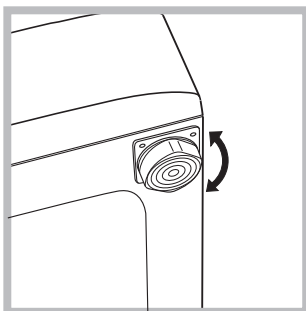
4. Κλείστε τις οπές με τα πλαστικά πώματα που σας παρέχονται.

5. Διατηρείστε και τα τρία τεμάχια: αν το πλυντήριο χρειαστεί να μεταφερθεί, θα πρέπει να ξαναμονταριστούν.

! Οι συσκευασίες δεν είναι παιχνίδια για μικρά παιδιά.

Ευθυγράμμιση

1. Εγκαταστήστε το πλυντήριο σε ένα δάπεδο επίπεδο και ανθεκτικό, χωρίς να το ακουμπήσετε σε τοίχους, έπιπλα ή άλλο.



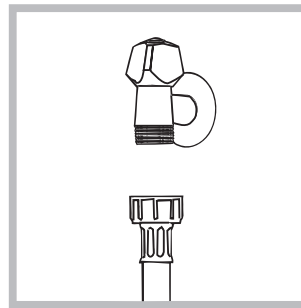
2. Αν το δάπεδο δεν είναι απόλυτα οριζοντιωμένο, αντισταθμίστε τις ανωμαλίες βιδώνοντας ή ξεβιδώνοντας τα πρόσθια ποδαράκια (βλέπε εικόνα). Η γωνία κλίσης, μετρημένη στην επιφάνεια

εργασίας, δεν πρέπει να ξεπερνάει τις 2°.

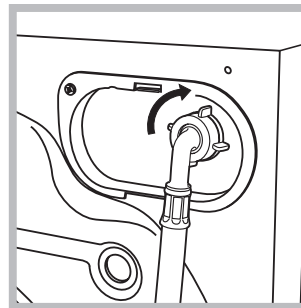
Μια φροντισμένη οριζόντιωση προσδίδει σταθερότητα στη μηχανή και αποσοβεί δονήσεις, θορύβους και μετατοπίσεις κατά τη λειτουργία. Σε περίπτωση μοκέτας ή τάπητα, ρυθμίστε τα ποδαράκια έτσι ώστε να υφίσταται κάτω από το πλυντήριο αρκετός χώρος για τον αερισμό.

Υδραυλικές και ηλεκτρικές συνδέσεις

Σύνδεση του σωλήνα τροφοδοσίας του νερού



1. Συνδέστε το σωλήνα τροφοδοσίας βιδώνοντάς τον σε ένα κρουνού κρούου νερού με στόμιο σπειρώματος 3/4 gas (βλέπε εικόνα). Πριν τη σύνδεση, αφήστε να τρέξει το νερό μέχρι να γίνει διαυγές.



2. Συνδέστε το σωλήνα τροφοδοσίας στο πλυντήριο βιδώνοντάς τον στην αντίστοιχη είσοδο νερού, στο πίσω μέρος επάνω δεξιά (βλέπε εικόνα).

3. Προσέξτε ώστε στο σωλήνα να μην υπάρχουν ούτε πτυχώσεις, ούτε στενώσεις.

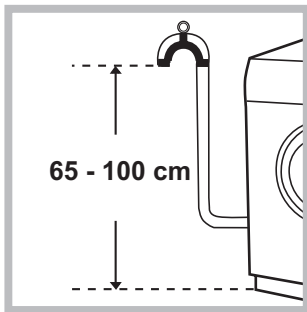
! Η πίεση νερού του κρουνού πρέπει να κυμαίνεται μεταξύ των τιμών του πίνακα Τεχνικά στοιχεία (βλέπε σελίδα δίπλα).

! Αν το μήκος του σωλήνα τροφοδοσίας δεν επαρκεί, απευθυνθείτε σε ένα ειδικευμένο κατάστημα ή σε ένα εξουσιοδοτημένο τεχνικό.

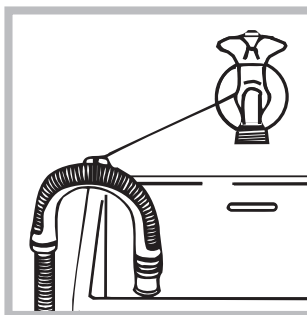
! Μη χρησιμοποιείτε ποτέ χρησιμοποιημένους σωλήνες.

! Χρησιμοποιείτε εκείνους που σας παρέχονται με τη μηχανή.

Σύνδεση του σωλήνα αδειάσματος



Συνδέστε αδειάσματος, χωρίς να τον διπλώσετε, σε έναν αγωγό εκκένωσης ή σε μια επιτοίχια αποχέτευση σε απόσταση από 65 έως 100 cm από το έδαφος.



Διαφορετικά αποθέστε τον στο χείλος ενός νιπτήρα ή μιας λεκάνης, δένοντας τον οδηγό που σας παρέχεται στονκρουνό (βλέπε εικόνα). Το ελεύθερο άκρο του σωλήνα αδειάσματος δεν πρέπει να παραμένει

βυθισμένο στο νερό.

! Δεν συνιστάται η χρήση προεκτάσεων σωλήνων. Αν απαιτείται, η προέκταση πρέπει να έχει την ίδια διάμετρο του αρχικού σωλήνα και να μην ξεπερνάει τα 150 cm.

Ηλεκτρική σύνδεση

Πριν εισάγετε το βύσμα στην ηλεκτρική πρίζα, βεβαιωθείτε ότι:

- η πρίζα διαθέτει γείωση και τηρεί τις εκ του νόμου προδιαγραφές.
- Η πρίζα να είναι σε θέση να υποφέρει το μέγιστο φορτίο ισχύος της μηχανής, που αναφέρεται στον πίνακα Τεχνικών στοιχείων (βλέπε δίπλα).
- Η τάση τροφοδοσίας να κυμαίνεται μεταξύ των τιμών που αναφέρονται στον πίνακα Τεχνικών στοιχείων (βλέπε δίπλα).
- Η πρίζα να είναι συμβατή με το βύσμα του πλυντηρίου. Σε αντίθετη περίπτωση, αντικαταστήστε την πρίζα ή το βύσμα.

! Το πλυντήριο δεν εγκαθίσταται σε ανοιχτό χώρο, ακόμη και αν ο χώρος είναι καλυμμένος, διότι είναι πολύ επικίνδυνο να το αφήνετε εκτεθειμένο σε βροχή και κακοκαιρία.

! Με την εγκατάσταση του πλυντηρίου, η πρίζα ρεύματος πρέπει να είναι εύκολα προσβάσιμη.

! Μη χρησιμοποιείτε προεκτάσεις και πολύπριζα.



! Το καλώδιο δεν πρέπει να φέρει πτυχές ή να είναι συμπιεσμένο.

! Το καλώδιο τροφοδοσίας πρέπει να αντικαθίσταται μόνο από εξουσιοδοτημένους τεχνικούς.

Προσοχή! Η επιχείρηση αποποιείται κάθε ευθύνης σε περίπτωση που δεν τηρούνται αυτοί οι κανόνες.

Πρώτος κύκλος πλυσίματος

Μετά την εγκατάσταση, πριν τη χρήση, διενεργήστε ένα κύκλο πλυσίματος με απορρυπαντικό και χωρίς ρούχα θέτοντας το πρόγραμμα 2.

| Τεχνικά στοιχεία | |
|--|--|
| Μοντέλο | EWD 61052 |
| Διαστάσεις | πλάτος cm 59,5 ύψος cm 85 βάθος cm 51,7 |
| Χωρητικότητα | από 1 έως 6 kg |
| Ηλεκτρικές συνδέσεις | Βλέπε την πινακίδα χαρακτηριστικών επί της μηχανής |
| Συνδέσεις νερού | μέγιστη πίεση 1 MPa (10 bar) Ελάχιστη πίεση 0,05 MPa (0,5 bar) χωρητικότητα του κάδου 46 λίτρα |
| Ταχύτητα στυψίματος | μέχρι 1000 στροφές το λεπτό |
| Προγράμματα ελέγχου σύμφωνα με τις οδηγίες 1061/2010 και 1015/2010 | πρόγραμμα 15; Eco βαμβακερά 60°C. πρόγραμμα 15; Eco βαμβακερά 40°C. |
|  | Η συσκευή αυτή είναι σύμφωνη με τις ακόλουθες Κοινοτικές Οδηγίες: - 2004/108/CE (Ηλεκτρομαγνητική Συμβατότητα) |
|  | - 2012/19/EU - WEEE - 2006/95/CE (Χαμηλή Τάση) |

Συντήρηση και φροντίδα

GR

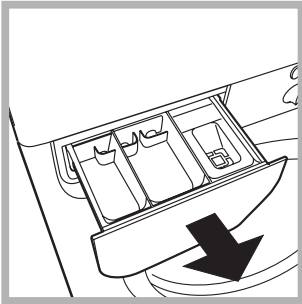
Αποκλεισμός νερού και ηλεκτρικού ρεύματος

- Κλείνετε τον κρουνό του νερού μετά από κάθε πλύσιμο. Έτσι περιορίζεται η φθορά της υδραυλικής εγκατάστασης του πλυντηρίου και αποσοβείται ο κίνδυνος απωλειών.
- Να βγάζετε το βύσμα από το ρεύμα όταν καθαρίζετε το μηχάνημα και κατά τις εργασίες συντήρησης.

Καθαρισμός του πλυντηρίου

Το εξωτερικό μέρος και τα λαστιχένια μέρη μπορούν να καθαρίζονται με ένα πανί βρεγμένο με χλιαρό νερό και σαπούνι. Μη χρησιμοποιείτε διαλύτες ή αποξυστικά.

Καθαρισμός του συρταριού απορρυπαντικών



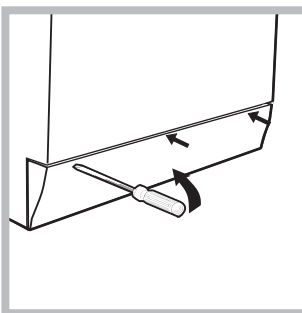
Τραβήξτε το συρτάρι ανασηκώνοντάς το και τραβώντας το προς τα έξω (βλέπε εικόνα). Πλένετέ το κάτω από τρεχούμενο νερό. Ο καθαρισμός αυτός διενεργείται συχνά.

Φροντίδα της πόρτας και του κάδου

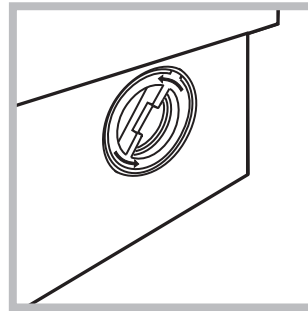
- Να αφήνετε πάντα μισόκλειστη την πόρτα για να μην παράγονται δυσοσμίες.

Καθαρισμός της αντλίας

Το πλυντήριο διαθέτει μια αντλία αυτοκαθαριζόμενη που δεν χρειάζεται συντήρηση. Μπορεί, όμως, να τύχει να πέσουν μικρά αντικείμενα (κέρματα, κουμπιά) στον προθάλαμο που προστατεύει την αντλία, που βρίσκεται στο κάτω μέρος αυτής. **!** Βεβαιωθείτε ότι ο κύκλος πλυσίματος έχει τελειώσει και βγάλτε το βύσμα.



Για να έχετε πρόσβαση στον προθάλαμο:
1. αφαιρέστε το ταμπλό κάλυψης στο πρόσθιο πλευρό του πλυντηρίου με τη βοήθεια ενός κατσαβιδιού (βλέπε εικόνα).



2. Ξεβιδώστε το καπάκι στρέφοντάς το αριστερόστροφα (βλέπε εικόνα): είναι φυσικό να βγαίνει λίγο νερό.

3. καθαρίστε επιμελώς το εσωτερικό.
4. ξαναβιδώστε το καπάκι.
5. ξαναμοντάρτε το πάνελ όντας σίγουροι, πριν το σπρώξετε προς τη μηχανή, ότι έχετε εισάγει τα γαντζάκια στις αντίστοιχες εσοχές.

Έλεγχος του σωλήνα τροφοδοσίας του νερού

Ελέγχετε το σωλήνα τροφοδοσίας τουλάχιστον μια φορά ετησίως. Αν παρουσιάζει σκασίματα και σχισμές αντικαθίσταται: κατά τα πλυσίματα οι ισχυρές πιέσεις θα μπορούσαν να προκαλέσουν αναπάντεχα σπασίματα.

! Μη χρησιμοποιείτε ποτέ χρησιμοποιημένους σωλήνες.

! Το πλυντήριο σχεδιάστηκε και κατασκευάστηκε σύμφωνα με τους διεθνείς κανόνες ασφαλείας. Αυτές οι προειδοποιήσεις παρέχονται για λόγους ασφαλείας και πρέπει να διαβάζονται προσεκτικά.

Γενική ασφάλεια

- Η συσκευή αυτή σχεδιάστηκε αποκλειστικά για οικιακή χρήση.
- Η συσκευή αυτή μπορεί να χρησιμοποιηθεί από παιδιά άνω των 8 ετών και από άτομα με μειωμένες φυσικές, αισθητηριακές ή νοητικές ικανότητες ή με εμπειρία και γνώσεις ανεπαρκείς, αν επιτηρούνται ή αν έχουν δεχτεί κατάλληλη εκπαίδευση σχετικά με τη χρήση της συσκευής με τρόπο ασφαλή και κατανοώντας τους σχετικούς κινδύνους. Τα παιδιά δεν πρέπει να παίζουν με τη συσκευή. Συντήρηση και καθαρισμός δεν πρέπει να διενεργούνται από παιδιά χωρίς επιτήρηση.
- Μην αγγίζετε το μηχάνημα με γυμνά πόδια ή με τα χέρια ή τα πόδια βρεγμένα.
- Μην βγάζετε το βύσμα από την ηλεκτρική πρίζα τραβώντας το καλώδιο, αλλά να πιάνετε την πρίζα.
- Μην ανοίγετε το συρταράκι απορρυπαντικών ενώ το μηχάνημα είναι σε λειτουργία.
- Μην αγγίζετε το νερό αδειάσματος, αφού μπορεί να φτάσει σε υψηλές θερμοκρασίες.
- Μην ζορίζετε σε καμία περίπτωση την πόρτα: θα μπορούσε να χαλάσει ο μηχανισμός ασφαλείας που προστατεύει από τυχαία ανοίγματα.
- Σε περίπτωση βλάβης, σε καμία περίπτωση να μην επεμβαίνετε στους εσωτερικούς μηχανισμούς προσπαθώντας να την επισκευάσετε.
- Να ελέγχετε πάντα τα παιδιά να μην πλησιάζουν στο μηχάνημα σε λειτουργία.
- Κατά το πλύσιμο η πόρτα τείνει να θερμαίνεται.
- Αν πρέπει να μετατοπιστεί, συνεργαστείτε δύο ή τρία άτομα με τη μέγιστη προσοχή. Ποτέ μόνοι σας γιατί το μηχάνημα είναι πολύ βαρύ.
- Πριν εισάγετε τη μπουγάδα ελέγξτε αν ο κάδος είναι άδειος.

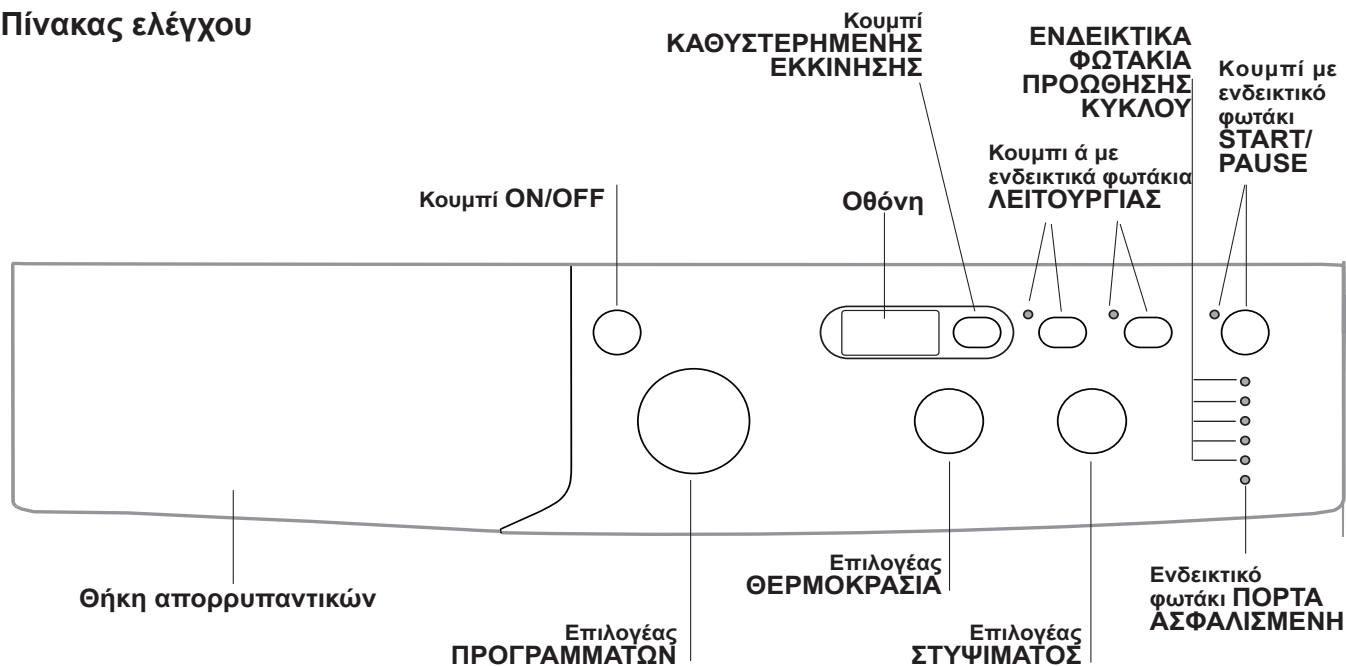
Διάθεση

- Διάθεση του υλικού συσκευασίας: τηρείτε τους τοπικούς κανονισμούς, ώστε οι συσκευασίες να μπορούν να επαναχρησιμοποιηθούν.
- Η ευρωπαϊκή οδηγία 2012/19/EU - WEEE για τα Απόβλητα Ηλεκτρικού και Ηλεκτρονικού Εξοπλισμού, απαιτεί ότι οι παλαιές οικιακές ηλεκτρικές συσκευές δεν πρέπει να αποβάλλονται μαζί με τα υπόλοιπα απόβλητα του δημοτικού δικτύου. Οι παλαιές συσκευές πρέπει να συλλεχθούν χωριστά προκειμένου να βελτιστοποιηθούν η αποκατάσταση και η ανακύκλωση των υλικών που περιέχουν και με σκοπό τη μείωση

των βλαβερών επιπτώσεων στην ανθρώπινη υγεία και το περιβάλλον. Το σύμβολο με το διεγγραμμένο “δοχείο αποβλήτων” στο προϊόν υπενθυμίζει σε σας την υποχρέωσή σας, πως όταν επιθυμείτε να πετάξετε τη συσκευή, πρέπει να συλλεχθεί χωριστά. Οι καταναλωτές θα πρέπει να απευθύνονται στις τοπικές αρχές ή στα καταστήματα λιανικής για πληροφορίες που αφορούν τη σωστή διάθεση των παλαιών ηλεκτρικών συσκευών.

Περιγραφή του πλυντηρίου και εκκίνηση ενός προγράμματος

Πίνακας ελέγχου



Θήκη απορρυπαντικών: για την προσθήκη απορρυπαντικών και πρόσθετων (βλέπε «Απορρυπαντικά και μπουγάδα»).

Κουμπι ON/OFF: Για να ανάψετε ή να σβήσετε το πλυντήριο.


Επιλογέας ΠΡΟΓΡΑΜΜΑΤΩΝ: για να θέσετε τα προγράμματα. Κατά τη διάρκεια του προγράμματος ο επιλογέας παραμένει ακίνητος.

Κουμπι ά με ενδεικτικά φωτάκια ΛΕΙΤΟΥΡΓΙΑΣ: για να επιλέξετε τις διαθέσιμες λειτουργίες. Το σχετικό με την επιλεγείσα λειτουργία ενδεικτικό φωτάκι θα παραμείνει αναμμένο.

Επιλογέας ΣΤΥΨΙΜΑΤΟΣ: για να θέσετε το στύψιμο ή να το αποκλείσετε (βλέπε «Εξατομικεύσεις»).

Επιλογέας ΘΕΡΜΟΚΡΑΣΙΑ: για να θέσετε τη θερμοκρασία ή το πλύσιμο σε κρύο νερό (βλέπε «Εξατομικεύσεις»).


Οθόνη: για την απεικόνιση της διάρκειας των διαφόρων διαθέσιμων προγραμμάτων και αφού έχει εκκινηθεί ο κύκλος, του υπολειπόμενου χρόνου για το τέλος αυτού. Στην περίπτωση που έχει τεθεί μια **ΚΑΘΥΣΤΕΡΗΜΕΝΗ ΕΚΚΙΝΗΣΗ**, απεικονίζεται ο χρόνος που υπολείπεται στην εκκίνηση του επιλεγμένου προγράμματος.

Κουμπι ΚΑΘΥΣΤΕΡΗΜΕΝΗΣ ΕΚΚΙΝΗΣΗΣ : Πατήστε για να θέσετε μια εκκίνηση με υστέρηση του προεπιλεγμένου προγράμματος. Η υστέρηση εμφανίζεται στην οθόνη.

ΕΝΔΕΙΚΤΙΚΑ ΦΩΤΑΚΙΑ ΠΡΟΩΘΗΣΗΣ ΚΥΚΛΟΥ: για να ακολουθείτε την κατάσταση προόδου του προγράμματος πλύσιματος. Το αναμμένο ενδεικτικό φωτάκι δείχνει την σε εξέλιξη φάση.

Ενδεικτικό φωτάκι ΠΟΡΤΑ ΑΣΦΑΛΙΣΜΕΝΗ: για να καταλάβετε αν η πόρτα ανοίγει (βλέπε σελίδα δίπλα).

Κουμπι με ενδεικτικό φωτάκι START/PAUSE: για την εκκίνηση των προγραμμάτων ή την προσωρινή διακοπή τους.

ΣΗΜΕΙΩΣΗ: για να θέσετε σε παύση το σε εξέλιξη πλύσιμο, πιέστε το κουμπι αυτό, το σχετικό ενδεικτικό φωτάκι θα ανάψει με πορτοκαλί χρώμα ενώ εκείνο της σε εξέλιξης φάσης θα είναι συνεχώς αναμμένο. Αν το ενδεικτικό φωτάκι ΠΟΡΤΑ ΑΣΦΑΛΙΣΜΕΝΗ  σβήσει, μπορείτε να ανοίξετε την πόρτα (περιμένετε 3 λεπτά περίπου). Για να ξεκινήσει πάλι το πλύσιμο από το σημείο διακοπής, πατήστε εκ νέου το κουμπι αυτό.

Τρόπος stand by

Το πλυντήριο αυτό, σύμφωνα με τις νέες διατάξεις για την εξοικονόμηση ενέργειας, διαθέτει ένα σύστημα αυτόματου σβησίματος (stand by) που τίθεται σε λειτουργία εντός 30 λεπτών στην περίπτωση μη χρήσης. Πιέστε στιγμιαία το κουμπι ON/OFF και περιμένετε να ενεργοποιηθεί εκ νέου η μηχανή.


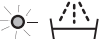


Ενδεικτικά φωτάκια

Τα ενδεικτικά φωτάκια παρέχουν σημαντικές πληροφορίες.

Να τι μας λένε:

Ενδεικτικά φωτάκι φάσης σε εξέλιξη

Κατά τον επιθυμητό κύκλο πλυσίματος, τα ενδεικτικά φωτάκια θα ανάψουν προοδευτικά για να δείξουν την κατάσταση προώθησης:

| | |
|------------------|---|
| Πλύσιμο | ●  |
| Ξέβγαλμα | ●  |
| Στύψιμο | ●  |
| Άδειασμα | ●  |
| Τέλος Πλυσίματος | ● END |

Κουμπιά λειτουργίας και σχετικά ενδεικτικά φωτάκια

Επιλέγοντας μια λειτουργία το σχετικό ενδεικτικό φωτάκι θα φωτιστεί.


Αν η επιλεγμένη λειτουργία δεν είναι συμβατή με το τεθέν πρόγραμμα το σχετικό ενδεικτικό φωτάκι θα αναβοσβήνει και η λειτουργία δεν θα ενεργοποιηθεί.

Αν η επιλεγμένη λειτουργία δεν είναι συμβατή με μια άλλη που επελέγη προηγουμένως, το σχετικό φωτάκι της πρώτης επιλεγμένης λειτουργίας θα αναβοσβήνει και θα ενεργοποιηθεί μόνο η δεύτερη, το ενδεικτικό φωτάκι της ενεργοποιηθείσας λειτουργίας θα φωτιστεί.

Ενδεικτικό φωτάκι ασφαλισμένης πόρτας

Το αναμμένο ενδεικτικό φωτάκι δείχνει ότι η πόρτα είναι μπλοκαρισμένη για να αποφευχθεί το άνοιγμα. Για να ανοίξετε την πόρτα πρέπει το ενδεικτικό φωτάκι να είναι σβηστό (περιμένετε 3 λεπτά περίπου). Για να ανοίξετε την πόρτα ενώ είναι σε εξέλιξη ένας κύκλος πιάστε το κουμπί START/PAUSE. Αν το ενδεικτικό φωτάκι ΠΟΡΤΑ ΑΣΦΑΛΙΣΜΕΝΗ είναι σβηστό μπορείτε να ανοίξετε την πόρτα.

Εκκίνηση ενός προγράμματος

1. Ανάψτε το πλυντήριο πιέζοντας το κουμπί ON/OFF. Όλα τα ενδεικτικά φωτάκια θα ανάψουν μερικά δευτερόλεπτα, μετά θα σβήσουν και θα πάλλεται το ενδεικτικό φωτάκι START/PAUSE.
2. Φορτώστε τη μπουγάδα και κλείστε την πόρτα.
3. Θέστε με τον επιλογέα ΠΡΟΓΡΑΜΜΑΤΩΝ το επιθυμητό πρόγραμμα.
4. Θέστε τη θερμοκρασία πλυσίματος (βλέπε «Εξατομικεύσεις»).
5. Θέστε την ταχύτητα στύψιματος (βλέπε «Εξατομικεύσεις»).
6. Χύστε απορρυπαντικό και πρόσθετα (βλέπε «Απορρυπαντικά και μπουγάδα»).
7. Επιλέξτε τις διαθέσιμες λειτουργίες.
8. Εκκινήστε το πρόγραμμα πιέζοντας το κουμπί START/PAUSE και το σχετικό ενδεικτικό φωτάκι θα παραμείνει αναμμένο συνεχώς με πράσινο χρώμα. Για να ακυρώσετε τον τεθέντα κύκλο θέστε τη μηχανή σε παύση πιέζοντας το κουμπί START/PAUSE και επιλέξτε ένα νέο κύκλο.
9. Στο τέλος του προγράμματος θα φωτιστεί το ενδεικτικό φωτάκι END. Όταν η ενδεικτική λυχνία ΠΟΡΤΑ ΑΣΦΑΛΙΣΜΕΝΗ  σβήσει μπορείτε να ανοίξετε την πόρτα (περιμένετε 3 λεπτά περίπου). Βγάλτε τη μπουγάδα και αφήστε την πόρτα μισόκλειστη για να στεγνώσει ο κάδος. Σβήστε το πλυντήριο πιέζοντας το κουμπί ON/OFF.

Προγράμματα

Πίνακας των Προγραμμάτων

| Προγράμματα | Περιγραφή του Προγράμματος | Μέγιστη θερμοκρασία (°C) | Μέγιστη ταχύτητα (στροφές ανά λεπτό) | Απορρυπαντικά | | | Μέγιστο Φορτίο (Kg) | Υπολειπόμενη υγρασία % | Κατανάλωση ενέργειας kWh | Συνολικό νερό lt | Διάρκεια κύκλου |
|------------------------------|--|--------------------------|--------------------------------------|---------------|---------|-----------|---------------------|------------------------|--------------------------|------------------|-----------------|
| | | | | Προπ-λωση | Πλύσιμο | Μαλακτικό | | | | | |
| EVERYDAY FAST | | | | | | | | | | | |
| 1 | Mix Χρωματιστών 59' | 40° | 1000 | - | ● | ● | 6 | - | - | - | 59' |
| 2 | Βαμβακερά 59' | 60° | 1000 | - | ● | ● | 6 | - | - | - | 59' |
| 3 | Βαμβακερά 45' | 40° | 1000 | - | ● | ● | 3 | - | - | - | 45' |
| 4 | Συνθετικά 59' | 40° (Max. 60°) | 1000 | - | ● | ● | 3 | 44 | 0,50 | 39 | 59' |
| 5 | Mix 30' | 30° | 800 | - | ● | ● | 3 | 70 | 0,17 | 31 | 30' |
| 6 | Express 20' | 20° | 800 | - | ● | ● | 3 | - | - | - | 20' |
| Special & Partial | | | | | | | | | | | |
| 7 | Αθλητική ένδυση | 40° | 600 | - | ● | ● | 3 | - | - | - | ** |
| 8 | Αθλητικά υποδήματα | 30° | 600 | - | ● | ● | Max. 2 pairs | - | - | - | ** |
| 9 | Μωρουδιακά | 40° | 800 | - | ● | ● | 2 | - | - | - | ** |
| 10 | Ξέβγαλμα | - | 1000 | - | - | ● | 6 | - | - | - | ** |
| 11 | Στύψιμο + Άντληση | - | 1000 | - | - | - | 6 | - | - | - | ** |
| 11 | Μόνο άδειασμα * | - | | - | - | - | 6 | - | - | - | ** |
| Dedicated | | | | | | | | | | | |
| 12 | Παπλώματα: Για ρούχα με εσωτερική επένδυση πούπουλων χήνας. | 30° | 1000 | - | ● | ● | 1,5 | - | - | - | ** |
| 13 | Μάλλινα: Για μάλλινα, cachemire, κλπ. | 40° | 800 | - | ● | ● | 1,5 | - | - | - | ** |
| 14 | Μεταξωτά/ Κουρτίνες: Για μεταξωτά ρούχα, βιακάζη, λινά. | 30° | 0 | - | ● | ● | 1 | - | - | - | ** |
| 15 | Εco βαμβακερά 60°C (1): Λευκά και χρωματιστά ανθεκτικά, πολύ λερωμένα. | 60° | 1000 | - | ● | ● | 6 | 62 | 0,91 | 50,0 | 190' |
| 15 | Εco βαμβακερά 40°C (2): Λευκά λίγο λερωμένα και ευαίσθητα χρώματα. | 40° | 1000 | - | ● | ● | 6 | 62 | 0,85 | 76 | 170' |
| 16 | Βαμβακερά πρόπλυση: Λευκά εξαιρετικά λερωμένα. | 90° | 1000 | ● | ● | ● | 6 | - | - | - | ** |

* Επιλέγοντας το πρόγραμμα 11 και αποκλείοντας τη φυγοκέντρωση η συσκευή θα εκτελέσει μόνο το άδειασμα.

** Μπορείτε να ελέγξετε τη διάρκεια των προγραμμάτων πλυσίματος στην οθόνη.

Η διάρκεια του κύκλου που φαίνεται στην οθόνη ή στο εγχειρίδιο αποτελεί μια εκτίμηση υπολογισμένη με βάση τις σπάνιες συνθήκες. Ο πραγματικός χρόνος μπορεί να ποικίλει με βάση πολυάριθμους παράγοντες όπως θερμοκρασία και πίεση του εισερχόμενου νερού, θερμοκρασία περιβάλλοντος, ποσότητα απορρυπαντικού, ποσότητα και τύπος φορτίου, ισοστάθμιση του φορτίου, πρόσθετες επιλεγμένες δυνατότητες.

1) Πρόγραμμα ελέγχου σύμφωνα με την προδιαγραφή 1061/2010: θέστε το πρόγραμμα 15 σε μια θερμοκρασία 60°C.

Ο κύκλος αυτός είναι κατάλληλος για τον καθαρισμό φορτίου βαμβακερών με συνηθισμένη βρωμιά και είναι ο πλέον αποτελεσματικός σε όρους κατανάλωσης ενέργειας και νερού, προς χρήση σε ρούχα πλενόμενα στους 60°C. Η πραγματική θερμοκρασία πλυσίματος μπορεί να διαφέρει από την υποδεικνυόμενη.

2) Πρόγραμμα ελέγχου σύμφωνα με την προδιαγραφή 1061/2010: θέστε το πρόγραμμα 15 σε μια θερμοκρασία 40°C.

Ο κύκλος αυτός είναι κατάλληλος για τον καθαρισμό φορτίου βαμβακερών με συνηθισμένη βρωμιά και είναι ο πλέον αποτελεσματικός σε όρους κατανάλωσης ενέργειας και νερού, προς χρήση σε ρούχα πλενόμενα στους 40°C. Η πραγματική θερμοκρασία πλυσίματος μπορεί να διαφέρει από την υποδεικνυόμενη.

Για όλα τα Test Institutes:

2) Πρόγραμμα βαμβακερών μακρύ: θέστε το πρόγραμμα 15 σε μια θερμοκρασία 40°C.

3) Πρόγραμμα συνθετικών μεγάλης διάρκειας: θέστε το πρόγραμμα 4 κατόπιν επιλέξτε τη δυνατότητα "Extra Wash **".

Ημερήσιοι γρήγοροι κύκλοι

Ένα πλήρες σετ γρήγορων προγραμμάτων για πλύσιμο και με πλήρες φορτίο των πιο κοινών υφασμάτων και την απομάκρυνση της πιο συνηθισμένης καθημερινής βρωμιάς, σε λιγότερο από 1 ώρα.

Mix Χρωματιστών 59': για πλύσιμο ανάμικτων και χρωματιστών ρούχων.

Βαμβακερά 59': κύκλος σχεδιασμένος για πλύσιμο βαμβακερών, κυρίως λευκών. Μπορεί να χρησιμοποιηθεί και με απορρυπαντικό σε σκόνη.

Βαμβακερά 45': σύντομος κύκλος σχεδιασμένος για το πλύσιμο ευαίσθητων βαμβακερών.

Συνθετικά 59': ειδικά για το πλύσιμο συνθετικών ρούχων. Παρουσία ανθεκτικής βρωμιάς μπορείτε να αυξήσετε τη θερμοκρασία μέχρι τους 60° και να χρησιμοποιήσετε και απορρυπαντικό σε σκόνη.

Mix 30': σύντομος κύκλος σχεδιασμένος για το πλύσιμο ανάμικτου φορτίου βαμβακερών και συνθετικών υφασμάτων, λευκών και χρωματιστών μαζί.

Express 20': το πρόγραμμα που φρεσκάρει τα ρούχα σου καθιστώντας πάλι ευωδιαστά σε μόνο 20 λεπτά.

Θέστε τη θερμοκρασία

Στρέφοντας τον επιλογέα ΘΕΡΜΟΚΡΑΣΙΑ τίθεται η θερμοκρασία πλυσίματος (βλέπε Πίνακα προγραμμάτων).

Η θερμοκρασία μπορεί να μειωθεί μέχρι το πλύσιμο σε κρύο νερό ❄.

Το μηχάνημα θα παρεμποδίσει αυτόματα τη θέση θερμοκρασίας μεγαλύτερης της μέγιστης προβλεπόμενης για κάθε πρόγραμμα.


! Εξαιρέση: επιλέγοντας το πρόγραμμα 4 η θερμοκρασία μπορεί να αυξηθεί μέχρι 60°.

Θέστε το στύψιμο

Στρέφοντας τον επιλογέα ΣΤΥΨΙΜΟ τίθεται η ταχύτητα στυψίματος του επιλεγμένου προγράμματος.

Οι μέγιστες προβλεπόμενες ταχύτητες για τα προγράμματα είναι:

| Προγράμματα | Μέγιστη ταχύτητα |
|-------------|------------------------|
| Βαμβακερά | 1000 στροφές ανά λεπτό |
| Συνθετικά | 1000 στροφές ανά λεπτό |
| Μάλλινα | 800 στροφές ανά λεπτό |

Η ταχύτητα στυψίματος μπορεί να ελαττωθεί ή να αποκλειστεί επιλέγοντας το σύμβολο .

Το μηχάνημα θα παρεμποδίσει αυτόματα τη διενέργεια στυψίματος μεγαλύτερου του μέγιστου προβλεπόμενου για κάθε πρόγραμμα.

Λειτουργίες

Οι διάφορες λειτουργίες πλυσίματος που προβλέπονται από το πλυντήριο επιτρέπουν την επίτευξη του καθαρισμού και του λευκού που επιθυμείτε.


Για την ενεργοποίηση των λειτουργιών:

1. πιέστε το πλήκτρο το σχετικό με την επιλεγμένη λειτουργία.
2. Το άναμμα του ενδεικτικού φωτός επισημαίνει ότι η λειτουργία είναι ενεργή.


Παρατήρηση:

- Αν η επιλεγμένη λειτουργία δεν είναι συμβατή με το τεθέν πρόγραμμα το σχετικό ενδεικτικό φωτάκι θα αναβοσβήνει και η λειτουργία δεν θα ενεργοποιηθεί.
- Αν η επιλεγμένη λειτουργία δεν είναι συμβατή με μια άλλη που επελέγη προηγουμένως, το σχετικό φωτάκι της πρώτης επιλεγμένης λειτουργίας θα αναβοσβήνει και θα ενεργοποιηθεί μόνο η δεύτερη, το ενδεικτικό φωτάκι της ενεργοποιηθείσας λειτουργίας θα φωτιστεί.


Καθυστερημένη εκκίνηση

Για να θέσετε την εκκίνηση με υστέρηση του προεπιλεγμένου προγράμματος, πατήστε το σχετικό κουμπί μέχρι να επιτευχθεί ο χρόνος της επιθυμητής υστέρησης. Όταν η δυνατότητα αυτή είναι ενεργή, στην οθόνη φωτίζεται το σύμβολο . Για να απαλείψετε την εκκίνηση με υστέρηση πατήστε το κουμπί μέχρις ότου εμφανιστεί στην οθόνη η ένδειξη "OFF".

Extra Wash

Για ρούχα πολύ βρώμικα ενεργοποιήστε τη δυνατότητα Extra Wash , όπου είναι αυτή συμβατή. Πατώντας τη δυνατότητα αυτή ο κύκλος αναπροσαρμόζει αυτόματα όλες τις παραμέτρους πλύσης σε ένα κύκλο μεγαλύτερης διάρκειας. Η δυνατότητα αυτή αφήνει πάντα αναλλοίωτη τη θερμοκρασία ενώ το στύψιμο επαναφέρεται αυτόματα στα μέγιστα επίπεδα. Ο καταναλωτής μπορεί πάντα να ρυθμίζει εκ νέου το στύψιμο στην επιθυμητή τιμή.

Energy Saver

Η δυνατότητα Energy Saver  σου επιτρέπει να πλύνεις βαμβακερά ρούχα και συνθετικά εξοικονομώντας ενέργεια και συνεπώς προστατεύοντας το περιβάλλον. Η εξοικονόμηση παράγεται από το πλύσιμο που διενεργείται εν ψυχρώ ενώ, μέσω μιας έντονης μηχανικής δράσης και μιας βελτιστοποιημένης χρήσης του νερού, επιτυγχάνεται το επιθυμητό αποτέλεσμα. Ενδείκνυται για ρούχα λίγο λερωμένα. Συνιστάται η χρήση υγρού απορρυπαντικού.

Απορρυπαντικά και μπουγάδα

GR

Θήκη απορρυπαντικών

Το καλό αποτέλεσμα του πλυσίματος εξαρτάται επίσης και από τη σωστή δοσολογία του απορρυπαντικού: υπερβάλλοντας δεν πλένουμε αποτελεσματικότερα και συντελούμε στη δημιουργία κρούστας στα εσωτερικά μέρη του πλυντηρίου και στη μόλυνση του περιβάλλοντος.

! Μην χρησιμοποιείτε απορρυπαντικά για πλύσιμο στο χέρι, διότι παράγουν πολύ αφρό.

! Να χρησιμοποιείτε απορρυπαντικά σε σκόνη για ρούχα λευκά βαμβακερά και για την πρόπλυση και για πλυσίματα σε θερμοκρασία μεγαλύτερη των 60°C.

! Ακολουθήστε τις υποδείξεις που αναγράφονται στη συσκευασία του απορρυπαντικού.



Βγάλτε τη θήκη απορρυπαντικών και εισάγετε το απορρυπαντικό ή το πρόσθετο ως εξής.

θήκη 1: Απορρυπαντικό για πρόπλυση (σε σκόνη)

θήκη 2: Απορρυπαντικό για πλύσιμο (σε σκόνη ή υγρό)

Το υγρό απορρυπαντικό χύνεται μόνο πριν την εκκίνηση.

θήκη 3: Πρόσθετα (μαλακτικό, κλπ.)

Το μαλακτικό δεν πρέπει να διαφεύγει από το πλέγμα.

Σημείωση: Σε περίπτωση χρήσης «απορρυπαντικού σε δισκία» συστήνεται να εφαρμόζετε πάντα τις υποδείξεις του παραγωγού.

Προετοιμασία της μπουγάδας

- Χωρίστε τη μπουγάδα ανάλογα:
 - με το είδος του υφάσματος/ το σύμβολο της ετικέτας.
 - τα χρώματα: χωρίστε τα χρωματιστά ρούχα από τα λευκά.
- Εκκενώστε τις τσέπες και ελέγξτε τα κουμπιά.
- Μην ξεπερνάτε τις υποδεικνυόμενες τιμές στον “Πίνακα των Προγραμμάτων” σε σχέση με το βάρος της στεγνής μπουγάδας.

Πόσο ζυγίζει η μπουγάδα;

- 1 σεντόνι 400-500 gr.
- 1 μαξιλαροθήκη 150-200 gr.
- 1 τραπεζομάντιλο 400-500 gr.
- 1 μπουρνούζι 900-1.200 gr.
- 1 πετσέτα 150-250 gr.

Ειδικά ρούχα

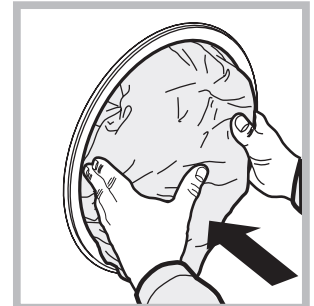
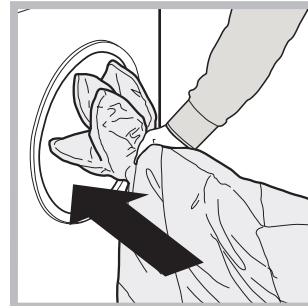
Αθλητική ένδυση: ο κύκλος είναι κατάλληλος για το πλύσιμο όλων των αθλητικών ενδυμάτων μαζί, συμπεριλαμβανομένης της πετσέτας γυμναστηρίου, με σεβασμό στις ίνες (να εφαρμόζετε ό,τι αναφέρεται στην ετικέτα των ρούχων).


Αθλητικά υποδήματα: ένας κύκλος μελετημένος για το πλύσιμο με απόλυτη ασφάλεια μέχρι 2 ζευγών υποδημάτων γυμναστικής μαζί.

Συστήνεται να δένετε τα κορδόνια πριν βάλετε τα παπούτσια στον κάδο.

Μωρουδιακά: κύκλος σχεδιασμένος για τη χαρακτηριστική βρωμιά των παιδικών ρούχων απομακρύνοντας πιο αποτελεσματικά και ενδεχόμενα ίχνη εναπομένου απορρυπαντικού.

Παπλώματα: για να πλύνετε ρούχα με γέμιση από πούπουλα χήνας όπως παπλώματα μονά (που δεν υπερβαίνουν τα 1,5 κιλά βάρους), μαξιλάρια, μπουφάν, χρησιμοποιήστε το συγκεκριμένο πρόγραμμα **12**. Συστήνεται να βάζετε τα πουπουλένια στον κάδο διπλώνοντάς τις άκρες προς τα μέσα (βλέπε εικόνες) και να μην ξεπερνάτε τα **3/4** του όγκου του ίδιου του κάδου. Για ένα βέλτιστο πλύσιμο συστήνεται να χρησιμοποιείτε υγρό απορρυπαντικό που θα το δοσολογήσετε στη θήκη απορρυπαντικού.



Μάλλινα: Με το πρόγραμμα **13** μπορείτε να πλένετε στο πλυντήριο όλα τα μάλλινα ρούχα ακόμη και εκείνα με την ετικέτα “μόνο πλύσιμο στο χέρι” . Για καλύτερα αποτελέσματα χρησιμοποιήστε ειδικό απορρυπαντικό και μην ξεπερνάτε το 1,5 kg μπουγάδας.

Μεταξωτά: χρησιμοποιήστε το αντίστοιχο πρόγραμμα **14** για να πλύνετε όλα τα μεταξωτά ρούχα. Συνιστάται η χρήση ενός ειδικού απορρυπαντικού για ευαίσθητα ρούχα.

Κουρτίνες: διπλώστε τις μέσα σε ένα μαξιλάρι ή σε ένα δικτυωτό σακούλι. Χρησιμοποιήστε το πρόγραμμα **14**.

Σύστημα ισοστάθμισης του φορτίου

Πριν από κάθε στύψιμο, για να αποφύγετε δονήσεις υπερβολικές και για να κατανείμουμε ομοιόμορφα το φορτίο, ο κάδος διενεργεί περιστροφές σε μια ταχύτητα ελαφρά ανώτερη εκείνης του πλυσίματος. Αν στο τέλος των διαδοχικών προσπαθειών το φορτίο δεν έχει ακόμη εξισορροπηθεί σωστά η μηχανή διενεργεί το στύψιμο σε μια ταχύτητα χαμηλότερη της προβλεπόμενης. Παρουσία υπερβολικής αστάθειας, το πλυντήριο διενεργεί την κατανομή αντί του στύψιματος. Για να ευνοηθεί καλύτερη κατανομή του φορτίου και της σωστής εξισορρόπησης συνιστάται η ανάμιξη ρούχων μεγάλων και μικρών διαστάσεων.

Μπορεί να συμβεί το πλυντήριο να μη λειτουργεί. Πριν τηλεφωνήσετε στην Υποστήριξη (βλέπε “Υποστήριξη”), ελέγξτε αν δεν πρόκειται για πρόβλημα που επιλύεται εύκολα με τη βοήθεια του ακόλουθου καταλόγου.

Ανωμαλίες:

Το πλυντήριο δεν ανάβει.

Δυνατά αίτια / Λύση:

- Το βύσμα δεν έχει εισαχθεί στην ηλεκτρική πρίζα ή τουλάχιστον όχι αρκετά για να κάνει επαφή.
- Στο σπίτι δεν υπάρχει ρεύμα.

Ο κύκλος πλυσίματος δεν ξεκινάει.

- Η πόρτα δεν κλείνει καλά.
- Το κουμπί ON/OFF δεν πατήθηκε.
- Το κουμπί START/PAUSE δεν πατήθηκε.
- Η βρύση του νερού δεν είναι ανοιχτή.
- Τέθηκε μια καθυστέρηση στον χρόνο εκκίνησης (βλέπε «Εξατομικεύσεις»).

Το πλυντήριο δεν φορτώνει νερό (Στην οθόνη απεικονίζεται η ένδειξη «H2O» να αναβοσβήνει).

- Ο σωλήνας τροφοδοσίας του νερού δεν είναι συνδεδεμένος στον κρουνό.
- Ο σωλήνας είναι διπλωμένος.
- Η βρύση του νερού δεν είναι ανοιχτή.
- Στο σπίτι λείπει το νερό.
- Δεν υπάρχει αρκετή πίεση.
- Το κουμπί START/PAUSE δεν πατήθηκε.

Το πλυντήριο φορτώνει και αδειάζει νερό συνεχώς.

- Ο σωλήνας αδειάσματος δεν έχει εγκατασταθεί μεταξύ 65 και 100 cm από το έδαφος (βλέπε «Εγκατάσταση»).
- Το άκρο του σωλήνα αδειάσματος είναι βυθισμένο στο νερό (βλέπε «Εγκατάσταση»).
- Το επιτοίχιο άδειασμα δεν έχει απαέρωση.

Αν μετά από αυτούς τους ελέγχους το πρόβλημα δεν λύνεται, κλείστε τη βρύση του νερού, σβήστε το πλυντήριο και καλέστε την υποστήριξη. Αν η κατοικία βρίσκεται στους τελευταίους ορόφους ενός κτιρίου, μπορεί να διαπιστωθούν φαινόμενα σιφωνισμού, οπότε το πλυντήριο φορτώνει και αδειάζει νερό συνεχώς. Για την αντιμετώπιση του προβλήματος διατίθενται στο εμπόριο κατάλληλες βαλβίδες αντι-σιφωνισμού.

Το πλυντήριο δεν φορτώνει ή δεν στύβει.

- Το πρόγραμμα δεν προβλέπει το άδειασμα: με ορισμένα προγράμματα πρέπει να το εκκινήσετε χειρονακτικά.
- Ο σωλήνας αδειάσματος είναι διπλωμένος (βλέπε «Εγκατάσταση»).
- Ο αγωγός εκκένωσης είναι βουλωμένος.

Το πλυντήριο δονείται πολύ κατά το στύψιμο.

- Ο κάδος, τη στιγμή της εγκατάστασης, δεν ξεμπλόκαρε σωστά (βλέπε «Εγκατάσταση»).
- Το πλυντήριο δεν είναι οριζοντιωμένο (βλέπε «Εγκατάσταση»).
- Το πλυντήριο είναι πολύ στενά μεταξύ τοίχου και επίπλων (βλέπε «Εγκατάσταση»).

Το πλυντήριο χάνει νερό.

- Ο σωλήνας τροφοδοσίας του νερού δεν είναι καλά βιδωμένος (βλέπε «Εγκατάσταση»).
- Η θήκη των απορρυπαντικών είναι βουλωμένη (για να την καθαρίσετε βλέπε «Συντήρηση και φροντίδα»).
- Ο σωλήνας αδειάσματος δεν έχει στερεωθεί καλά (βλέπε «Εγκατάσταση»).

Τα ενδεικτικά φωτάκια των “Λειτουργίες” και το ενδεικτικό φωτάκι “START/PAUSE” αναβοσβήνουν και ένα από τα φωτάκια της “φάσης σε εξέλιξη” και “ΠΟΡΤΑ ΑΣΦΑΛΙΣΜΕΝΗ” ανάβει σταθερά.

- Σβήστε τη μηχανή και βγάλτε το βύσμα από την πρίζα, περιμένετε περίπου 1 λεπτό μετά ξανανάψτε τη. Αν η ανωμαλία επιμένει, καλέστε την Υποστήριξη.

Σχηματίζεται πολύς αφρός.

- Το απορρυπαντικό δεν είναι ειδικό για πλυντήριο (πρέπει να υπάρχει η ένδειξη “για πλυντήριο”, “για πλύσιμο στο χέρι και στο πλυντήριο”, ή παρόμοια).
- Η δοσολογία υπήρξε υπερβολική.

Πριν επικοινωνήσετε με την Υποστήριξη:

- Ελέγξτε αν η ανωμαλία μπορείτε να την αντιμετωπίσετε μόνοι σας (βλέπε "Ανωμαλίες και λύσεις");
- Επανεκκινήστε το πρόγραμμα για να ελέγξετε αν το πρόβλημα αντιμετωπίστηκε;
- Σε αρνητική περίπτωση, επικοινωνήστε με την εξουσιοδοτημένη Τεχνική Υποστήριξη στον τηλεφωνικό αριθμό που υπάρχει στο πιστοποιητικό εγγύησης.

! Μην καταφεύγετε ποτέ σε μη εξουσιοδοτημένους τεχνικούς.

Γνωστοποιήστε:

- το είδος της ανωμαλίας;
- το μοντέλο του μηχανήματος (Mod.);
- τον αριθμό σειράς (S/N).

Οι πληροφορίες αυτές βρίσκονται στην ταμπελίτσα που υπάρχει στο πίσω μέρος του πλυντηρίου και στο πρόσθιο μέρος ανοίγοντας την πόρτα.

| ΚΑΤ' ΕΞΟΥΣΙΟΔΟΤΗΣΗ ΚΑΝΟΝΙΣΜΟΣ (ΕΕ) αριθ. 1061/2010 ΤΗΣ ΕΠΙΤΡΟΠΗΣ | |
|---|----------------|
| Εμπορικό σήμα | INDESIT |
| Μοντέλο | EWD 61052 W EU |
| Ονομαστική χωρητικότητα βαμβακερών σε κιλά | 6 |
| Κλάση ενεργειακής απόδοσης σε κλίμακα από A+++ (χαμηλή κατανάλωση) έως G (υψηλή κατανάλωση) | A++ |
| Κατανάλωση ενέργειας ετησίως σε kWh ¹⁾ | 173 |
| Κατανάλωση ενέργειας του κανονικού προγράμματος βαμβακερών 60 °C με πλήρες φορτίο σε kWh ²⁾ | 0.932 |
| Κατανάλωση ενέργειας του κανονικού προγράμματος βαμβακερών 60 °C με μερικό φορτίο σε kWh ²⁾ | 0.67 |
| Ενεργειακή κατανάλωση του κανονικού προγράμματος βαμβακερών 40 °C με μερικό φορτίο σε kWh ²⁾ | 0.592 |
| Κατανάλωση ισχύος της λειτουργίας απενεργοποίησης σε kWh | 0.5 |
| Κατανάλωση ισχύος της λειτουργίας αναμονής σε kWh | 8 |
| Κατανάλωση νερού ετησίως σε λίτρα ³⁾ | 8400 |
| Κλάση απόδοσης περιστροφής-στεγνώματος σε κλίμακα από G (ελάχιστη απόδοση) έως A (μέγιστη απόδοση) | C |
| Μέγιστη ταχύτητα περιστροφής ⁴⁾ | 1000 |
| Υπολειπόμενη περιεκτικότητα υγρασίας ⁵⁾ | 62.0% |
| Χρόνος προγράμματος του "κανονικού προγράμματος βαμβακερών 60 °C" με πλήρες φορτίο σε λεπτά. | 190 |
| Χρόνος προγράμματος του "κανονικού προγράμματος βαμβακερών 60 °C" με μερικό φορτίο σε λεπτά. | 150 |
| Χρόνος προγράμματος του "κανονικού προγράμματος βαμβακερών 40°C" με πλήρες φορτίο σε λεπτά. | 145 |
| Χρόνος προγράμματος του "κανονικού προγράμματος βαμβακερών 40°C" με μερικό φορτίο σε λεπτά. | 30 |
| Διάρκεια της λειτουργίας αναμονής σε λεπτά ⁶⁾ | 62 |
| Εκπομπές αερόφερτου θορύβου dB(A) Re 1 pW ⁶⁾ | 80 |
| Εντοιχισμένο μοντέλο | |

¹⁾ βασίζεται σε 220 κανονικούς κύκλους πλυσίματος για προγράμματα βαμβακερών στους 60°C και 40°C με πλήρες και μερικό φορτίο, και την κατανάλωση των λειτουργιών χαμηλής ισχύος. Η πραγματική κατανάλωση ενέργειας θα εξαρτάται από τη χρήση της συσκευής.

²⁾ Αυτά είναι τα πρότυπα με τα οποία σχετίζονται όλες οι πληροφορίες της ετικέτας και του δελτίου, είναι κατάλληλα για το καθόρισμα φυσιολογικά λερωμένων βαμβακερών ρούχων και είναι τα αποδοτικότερα προγράμματα όσον αφορά το συνδυασμό κατανάλωσης ενέργειας και νερού. **Το μερικό φορτίο είναι το μισό της ονομαστικής χωρητικότητας."

³⁾ βασίζεται σε 220 κανονικούς κύκλους πλυσίματος για προγράμματα βαμβακερών στους 60°C και 40°C με πλήρες και μερικό φορτίο. Η πραγματική κατανάλωση νερού θα εξαρτάται από τη χρήση της συσκευής.

⁴⁾ Για τον κανονικό κύκλο στους 60 °C με πλήρες και μερικό φορτίο ή 40°C με μερικό φορτίο, όποιο είναι χαμηλότερο

⁵⁾ Επηρεάζεται για το πρόγραμμα βαμβακερών στους 60 °C με πλήρες και μερικό φορτίο ή 40°C με μερικό φορτίο, όποιο είναι υψηλότερο

⁶⁾ Εάν το πλυντήριο του σπιτιού σας είναι εξοπλισμένο με σύστημα διαχείρισης ενέργειας.

Üretici Firma:
Indesit Company Beyaz Eşya PAZARLAMA A.Ş.
Balmumcu Cad. Karahasan Sok.
No: 11, 34349- Balmumcu Beşiktaş – İstanbul
Tel: (0212) 355 53 00