



**FIELDMANN**<sup>®</sup>  
Home & Garden Performance



FZP 5016 B

English .....	3-28
Čeština.....	29-54
Slovenčina .....	55-80
Magyarul .....	81-106
Polski .....	107-132
Slovenščina .....	133-160

# Chain saw

## USER'S MANUAL

**Thank you for purchasing this chain saw. Before you start using it, please, carefully read this user's manual and save it for possible future use.**

## CONTENTS

1. GENERAL SAFETY INSTRUCTIONS .....	5
Important safety information .....	5
Packaging .....	5
User's Manual .....	5
2. EXPLANATION OF INSTRUCTION LABELS ON THE MACHINE .....	6
3. SAFETY INSTRUCTIONS.....	7
Before using the power tool .....	7
Safety of the operator, work equipment and clothing .....	7
Instructions for handling fuel.....	9
4. DESCRIPTION OF THE POWER TOOL AND INCLUDED CONTENTS.....	10
Description of the power tool (see Fig. 1).....	10
5. INSTALLING THE BUMPER SPIKES, GUIDE BAR AND CHAIN .....	11
Installing the bumper spikes .....	11
Installing the guide bar and chain .....	11
6. FUEL AND CHAIN LUBRICATING OIL .....	12
Filling the oil tank .....	12
Mixing the fuel mix .....	12
Storing fuel .....	13
7. PREPARING FOR OPERATION.....	13
Chain brake (Fig. 1, point 9).....	14
Checking the working order of the brake.....	14
8. TURNING THE CHAIN SAW ON AND OFF .....	14
Starting a cold engine .....	14
Starting a warm engine.....	15
Speed control system .....	15
Stopping the engine .....	15
Checking chain lubrication .....	15
9. ADJUSTING THE CHAIN TENSION.....	16
10. CUTTING .....	16
Safety brake (protection against kickback) .....	16
Felling trees.....	17
Cutting logs .....	17
Log lying on the ground .....	17
Log above the ground.....	18
Lopping a fallen tree .....	18

11. CLEANING AND MAINTENANCE ..... 18  
Maintenance after every use ..... 18  
Cleaning the body of the chain saw ..... 19  
Maintaining the guide bar ..... 19  
Normal maintenance of the guide bar ..... 19  
12. SHARPENING THE SAW CHAIN ..... 20  
Equipment necessary for sharpening a saw chain ..... 20  
Sharpening the teeth on the chain ..... 20  
Filing the depth gauge ..... 21  
13. REPLACING THE SAW CHAIN ..... 22  
14. MAINTENANCE TABLE ..... 23  
15. TROUBLESHOOTING ..... 24  
16. TECHNICAL SPECIFICATIONS ..... 25  
17. DISPOSAL ..... 26  
18. DECLARATION OF CONFORMITY ..... 27

# 1. GENERAL SAFETY INSTRUCTIONS

## Important safety notice

- ✿ Carefully unpack the product and take care not to throw away any part of the packaging before you find all the parts of the product.
- ✿ Store the product in a dry place out of reach of children.
- ✿ Read all warnings and instructions. Not following warnings or instructions may lead to injury by electrical shock, a fire and/or serious injuries.


## Packaging

The product is packed in a package that prevents damage during transport. This package is a resource and so can be handed over for recycling.

## User's manual

Before you start working with the machine, read the following safety and usage instructions. Acquaint yourself with the operating elements and the correct use of the machine. Keep the user's manual in a safe place where it can be easily retrieved for future use. Save the original packaging, including the internal packing material, warranty card and proof of purchase receipt at least for the duration of the warranty.

If you need to ship this machine, pack it in the original cardboard box to ensure maximum protection during shipping or transport (e.g. when moving or when you need to send this product for repair).

-  **NOTE:** If you hand over the power tool to somebody else, do so together with this user's manual. Following the instructions in the included user's manual is a prerequisite for the proper use of the power tool. The user's manual also contains operating, maintenance and repair instructions.

**The manufacturer takes no responsibility for accidents or damages resulting from not following the instructions in this manual.**

## 2. EXPLANATION OF INSTRUCTION LABELS ON THE MACHINE



Before using the power tool, carefully read the user's manual.



When operating the power tool, wear protective aids such as safety glasses, earmuffs, etc.



Always use two hands when operating the chain saw.



While working use protective gloves.



Use solid insulating work footwear.



Attention! Danger of kickback



Warning! Attention!

## 3. SAFETY INSTRUCTIONS

**⚠ ATTENTION!** The safety instructions in this user's manual are marked with the symbol containing critical points, which one needs to pay attention to when operating the power tool to prevent serious or fatal injuries. Please carefully study the instructions and adhere to them.

**⚠ ATTENTION!** This symbol indicates instructions that must be adhered to in order to prevent accidents that could result in serious or fatal injuries.

**📖 NOTE:** This symbol indicates a tip or instructions useful when operating the power tool.

### Before using the power tool

- ✿ Before using the power tool, carefully read the user's manual.
- ✿ Do not use the power tool if you are under the influence of alcohol or narcotics, if you are tired or exhausted. Do not use the power tool if you are taking medication, which could affect or limit your decision-making abilities for safe operation of the power tool.
- ✿ Do not use the power tool indoors, the emitted gases contain damaging carbon monoxide.
- ✿ Never use the power tool under the conditions listed below:
  - If the work surface is slippery or if weather conditions do not permit you to maintain a stable stance while operating the power tool.
  - If it is dark, heavy fog or under poor weather conditions, which limit visibility of the work area.
  - During rain, during a storm or in strong winds or under conditions that could be dangerous when operating the power tool.
- ✿ If you are using the chain saw for the first time, please consult with an experienced user before starting work.
- ✿ Tiredness or physical exhaustion may lead to inattentiveness, which may result in serious injury
- ✿ Limit the operating time of the power tool to approx. 10 minutes per single use and try to rest for approximately 10-20 minutes between work sessions. Limit the total amount of work per day to approximately 2 hours.
- ✿ Make sure that you have the user's manual at hand in case you need to use it.
- ✿ If you sell, loan or handover the power tool, make sure that you include the user's manual.
- ✿ Never allow children or other persons that are insufficiently acquainted with the user's manual to use this power tool.

### Safety of the operator, work equipment and clothing

- ✿ When operating a chain saw, you should wear the following work clothing and protective aids:
  - Helmet
  - Safety glasses or protective face shield
  - Work gloves
  - Anti-slip work boots
  - Earmuffs

- ✿ Furthermore, you should also have
  - The included tools
  - Sufficient supply of fuel and chain lubricating oil
  - Accessories for designating the work area (rope, warning signs)
  - Whistle (to call for help)
  - Hand saw or axe (to remove potential obstacles)
- ✿ When working, never wear loose clothing, jewellery, that could become caught by the chain saw. Do not wear sandals when working, do not work barefoot.
- ✿ Check the work area, the item being cut and the cutting direction. Remove obstacles.
- ✿ Never commence work if the work area is not cleared, if you do not have a stable stance and if you do not have a planned escape route in the event of a falling tree.
- ✿ Pay increased attention and keep passers-by and pets away from the work area at a distance of at least 2.5 times the length of the item being cut.
- ✿ Check for damaged, worn out or missing parts of the power tool. Never use the power tool if it is damaged, incorrectly adjusted or incomplete. Check that the chain stops turning when the throttle trigger is released.
- ✿ Keep the handles dry, clean and free of oil and fuel stains.
- ✿ Do not touch the muffler, spark plugs or other metal parts of the engine when the power tool is running or immediately after it is turned off - there is a risk of burns or injury by electrical shock.
- ✿ Pay exceptional attention when cutting thin branches or trunks because fragile material may become caught in the chain and flung towards the operator and may thus cause a loss of balance.
- ✿ When cutting tensioned branches keep in mind that they will fling out when the wood fibres are cut and the tension is released.
- ✿ Check for and remove dry branches that could come loose from the falling tree.
- ✿ Make sure that the power tool is turned off when you put it down.

**⚠ CAUTION danger of kickback!** Kickback may occur when the nose of the guide bar comes into contact with an item or if the material being cut clamps the chain in the cut. During contact with the item, the chain saw may be flung with the guide bar moving up and back towards the operator. A clamped chain may result in a fast backward movement of the guide bar towards the operator. Both these reactions may lead to a loss of control over the chain saw and subsequent serious injuries. Do not rely only on the chain saw's safety features. As the operator of the chain saw, you must constantly adhere to multiple rules to avoid injuries or damages.

- ✿ If you are acquainted with the kickback principle, you can reduce or eliminate the moment of surprise. Unexpected reactions result in accidents.
- ✿ If the engine is running, hold the chain saw with both hands with the right hand on the rear handle and the left hand on the front handle. Firmly grasp the handle with the thumb going around towards the fingers. A firm grip helps limit kickback and to keep the chain saw under control.
- ✿ There must be no obstacles in the work area. When working with the chain saw, the loose end of the guide bar must not touch a branch, trunk or another obstacle.
- ✿ Cut with the engine running at high speed.
- ✿ A stable stance must be maintained at all times when cutting, do not cut above shoulder height.
- ✿ Adhere to the instructions of the manufacturer for lubricating and sharpening the chain.
- ✿ Only use spare chains and guide bars specified by the manufacturer or their equivalents.



## Instructions for handling fuel

The engine of the power tool is designed to use a highly flammable fuel mix. Never store fuel containers or refill fuel in the vicinity of an open flame, wood stove, electrical lines, welding work or other sources of heat or flame, which could lead to ignition.

- ✿ Smoking is forbidden when operating the power tool and when refilling fuel.
- ✿ When refilling fuel, make sure that the power tool is off and that there is no open flame in the vicinity.
- ✿ If the power tool is sprayed with fuel, use a dry cloth to wipe away the stains.
- ✿ After refilling fuel, screw on the fuel tank cap and take the power tool at least 3 m away from the place where it was refilled and then start it up.

## 4. MACHINE DESCRIPTION AND INCLUDED CONTENTS

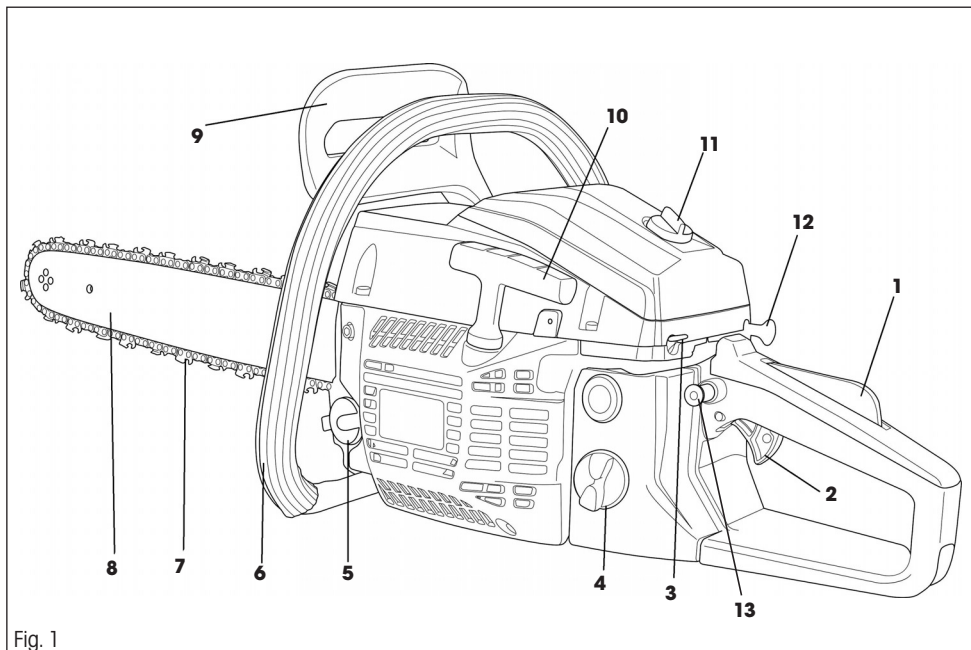


Fig. 1

### Description of the power tool (see Fig. 1)

- |                           |                            |
|---------------------------|----------------------------|
| 1. Throttle safety switch | 7. Chain                   |
| 2. Throttle trigger       | 8. Guide bar               |
| 3. Main power switch      | 9. Safety brake            |
| 4. Fuel tank cap          | 10. Starting handle        |
| 5. Oil tank cap           | 11. Air filter cover screw |
| 6. Front handle           | 12. Choke lever            |
|                           | 13. Throttle trigger lock  |

Included contents: Petrol chain saw, 405 mm guide bar Oregon, Oregon chain, plastic guide bar cover, calibrated fuel mixing container, tool set with file.

## 5. INSTALLING THE BUMPER SPIKES, GUIDE BAR AND CHAIN

**⚠ ATTENTION!** Always wear protective gloves when installing and inspecting the chain to prevent injury from the sharp cutting edges on the chain.

### Installing the bumper spikes

- ✿ Using the included hex key and screws, attach the bumper spikes, see picture (Fig. 2).

### Installing the guide bar and chain

- ✿ The safety brake lever (Fig. 1 point 9) must be disengaged (pull it towards the top handle)
- ✿ Loosen two nuts and take off the sprocket cover (Fig. 3, point 1).
- ✿ Seat the chain on to the guide bar and then thread on to the sprocket (pinion). At the same time, hold the chain on the guide bar.

**⚠ ATTENTION!** The chain tensioning pin (Fig. 3, point 2) must fit into the hole in the guide bar (Fig. 3, point 3). The position of this pin can be adjusted using the chain tensioning screw (Fig. 5)

**⚠ ATTENTION!** Ensure that the chain is always correctly fitted in the sprocket ring (Fig. 4). If this is not the case, the chain saw may be damaged.

- ✿ Put the sprocket cover back. Do not fully tighten the screws, tighten by hand only, to make it possible to tension the chain.
- ✿ Tension the chain using the tensioning screw (Fig. 5) and then tighten the sprocket cover nuts using the included tubular wrench

**⚠ ATTENTION!** The chain is correctly tensioned if it is possible to lift chain off the guide bar and its height in the horizontal position in the middle of the guide bar is 3 to 4 mm.

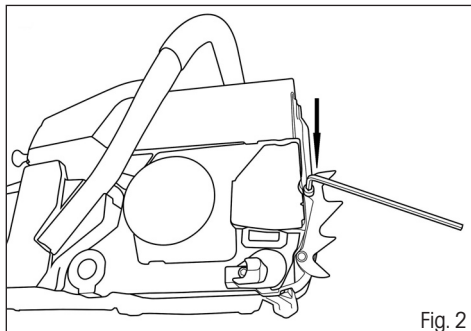


Fig. 2

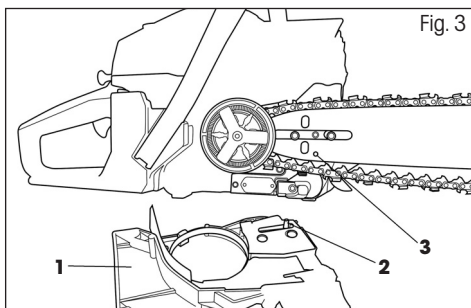


Fig. 3

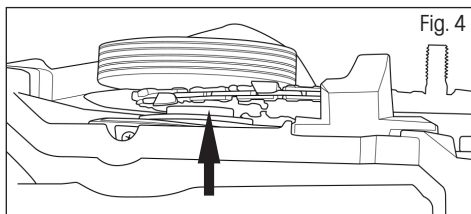


Fig. 4

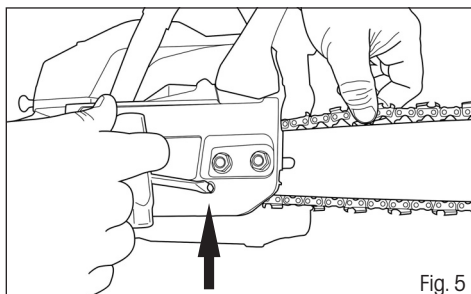


Fig. 5

## 6. FUEL AND CHAIN LUBRICATING OIL

### Filling the oil tank

**⚠ ATTENTION!** A new chain requires a certain running-in period, which is usually 5 minutes. The lubrication of the chain is very important during this phase. After this running-in period, check the chain tension and readjust if necessary.

- ✿ The oil tank on the supplied chain saw is empty. Fill this oil tank with oil prior to first use of this chain saw.
- ✿ Only use oil specified for total-loss lubrication
- ✿ Screw off the oil tank cap (Fig. 6, point 1).
- ✿ Pour the oil into the tank (take care to prevent the oil from becoming dirty while filling the tank).
- ✿ Screw on the oil tank cap.
- ✿ Before using the chain saw, the oil tank should never be completely empty, this could damage the guide bar and chain .
- ✿ The oil level can be visually checked after screwing off the cap.

**⚠ ATTENTION!** Do not use oil that has already been used or processed because this could damage the oil pump.

### Mixing the fuel mix

**⚠ ATTENTION!** Never pour fuel into the fuel tank in a closed and unventilated location.

**⚠ ATTENTION!** Do not pour fuel in the vicinity of an open flame or a source of sparks.

**⚠ ATTENTION!** Do not overfill the petrol tank. Before starting the engine, make sure that all spilled fuel is wiped away.

**⚠ ATTENTION!** If the engine is hot, DO NOT POUR IN FUEL.

- ✿ For this type of two-stroke engine a mixture of lead-free petrol and two-stroke engine oil is used. For the first two hours of operation use a ratio of 25:1, and after two hours of operation 40:1.

**⚠ ATTENTION!** A fuel mix that is mixed at a ratio other may damage the engine. Make sure that this fuel mix is mixed correctly.

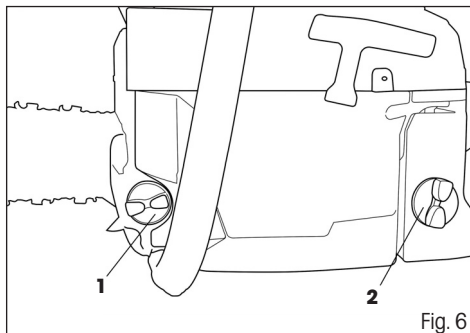
- ✿ When mixing petrol with two-stroke engine oil, use only petrol containing NO ETHANOL or METHANOL (types of alcohols).
- ✿ Use quality petrol with an octane number of 95 or higher. This will help prevent possible damage to the fuel system and other parts of the engine.
- ✿ We recommend the use of the calibrated container supplied with the chain saw for mixing the fuel mix. DO NOT MIX THE PETROL AND OIL DIRECTLY IN THE FUEL TANK.
- ✿ Screw off the fuel tank cap (Fig. 6, point 2) and pour in the fuel. Then screw the cap back on.

## Storing fuel

Only store fuel in a clean, safe and approved canister. Inform yourself about and adhere to local directives related to the type and storage of canisters filled with fuel.

**⚠ ATTENTION!** Fuel for two-stroke engines may separate. Prior to every use, thoroughly shake the canister with fuel.

**⚠ ATTENTION!** Stored fuel ages. Do not mix more fuel than you expect to consume within one month.



## 7. PREPARING FOR OPERATION

**⚠ IMPORTANT:** Follow instructions for preparing the fuel mix! Not following these instruction may damage the engine! Do not use fuel that has been stored for longer than two months. A fuel mix stored for longer than two months will cause problems at start up and lower engine performance. If the fuel mix is stored for longer than two months, it should be removed and new fuel must be used.

**⚠ ATTENTION!** The use of petrol-powered chain saws may be regulated by local codes.

- ✿ Check for damaged, worn out or missing parts of the power tool. Never use the power tool if it is damaged, incorrectly adjusted or incomplete.
- ✿ Check whether any screws, nuts and installation elements are loose. Tighten any loose screws.
- ✿ Check whether the air filter is dirty. Prior to starting work, remove all dirt from the air filter.
- ✿ Check that the chain is tensioned. You can lift a correctly tensioned chain in the middle of the guide bar in the horizontal position by 3 to 4 mm
- ✿ Keep the handles dry, clean and free of oil and fuel stains.
- ✿ Check the fuel tank for leaks.
- ✿ Check the work area, the item being cut and the cutting direction. Remove obstacles.
- ✿ Never commence work if the work area is not cleared, if you do not have a stable stance and if you do not have a planned escape route in the event of a falling tree.
- ✿ Pay increased attention and keep passers-by and pets away from the work area at a distance of at least 2.5 times the length of the item being cut.

**⚠ ATTENTION!** The recommended guide bar and chain combination is based on the technical parameters provided in chapter 14. Do not use the chain saw with a guide bar longer than 18" (45 cm). Using a longer guide bar may significantly reduce power output.

### Chain brake (Fig. 1, point 9)

This chain saw is equipped with an automatic brake that stops the chain in the event of kickback. The brake is engaged automatically by inertia acting on the ballast located under the rear cover. This brake can be operated manually by tilting down the front protective frame towards the guide bar.

The brake is disengaged by pulling the front protective frame back towards the chain saw handle.

**⚠ ATTENTION!** Before every use, check that the chain brake is in working order in the following manner.

#### Checking the working order of the brake

- ✿ Place the running chain saw on to the ground and for 1 to 2 seconds leave it at full speed.
- ✿ Push the brake lever (Fig. 1, point 9) forward. The chain should stop immediately.

**⚠ ATTENTION!** If the chain stops slowly or does not stop at all, do not use the chain saw and contact an authorised service centre.

- ✿ If you wish to disengage the brake, pull the brake lever towards the top handle so that you hear the typical click.

**⚠ ATTENTION!** Check that the chain brake is in order. A correctly functioning chain brake will protect you against potential injury, which could result from kickback.

If the brake is not working properly, have it adjusted or repaired at an authorised service centre.

## 8. TURNING THE CHAIN SAW ON AND OFF

### ⚠ WARNING

- ✿ Prior to starting the engine, make sure that the chain moves freely along the guide bar and is not touching any foreign objects.
- ✿ When the engine is idling, the saw chain must not be turning. Otherwise, contact an authorised service centre to perform an inspection and remedy the problem.
- ✿ Prior to starting the engine, make sure that the throttle trigger moves freely.

**⚠ ATTENTION:** Exposure to vibrations may damage the health of persons that suffer from circulatory or nerve system problems. If any physical problems become evident, such as desensitisation, loss of sensitivity, loss of usual strength or changes in skin colour, please contact a doctor. These systems usually manifest themselves on fingers, hands or wrists.

### Starting a cold engine

1. Set the main power switch to the top position (see Fig. 7, point 1)
2. Pull out the choke lever (Fig. 7, point 2) but do not touch the throttle trigger.
3. Place the chain saw flat on the ground so that it is stable and pull on the handle of the starting cord until the engine rotates (the engine will show signs of attempting to start) (Fig. 8).
4. At this point, push the choke lever back in (Fig. 7, point 2) and start the engine by repeatedly pulling on the starting cord.

**⚠ ATTENTION!** Spinning the engine for too long with the choke lever pulled out will result in flooding of the engine and problems with starting it up.

- Prior to starting work, leave the engine to warm up for a few minutes to get up to operating temperature.

### Starting a warm engine

- Set the main power switch to the top position (see Fig. 7, point 1)
- Pull on the handle of the starting cord until the engine starts up (Fig. 8)  
DO NOT USE THE CHOKE!

**⚠ ATTENTION!** In the event that the fuel in the fuel tank was completely used up, after pouring in fuel, repeat the steps for STARTING A COLD ENGINE.

### Speed control

- To increase speed, first use the palm of your hand to push down the throttle safety switch (Fig. 7, point 4) and then use your finger to pull on the throttle trigger (Fig. 7, point 5)
- To lower the speed, release the throttle trigger

### Stopping the engine

- Release the throttle trigger (Fig. 7, point 5) and switch the main power switch to the "Stop" position (Fig. 1, point 1).

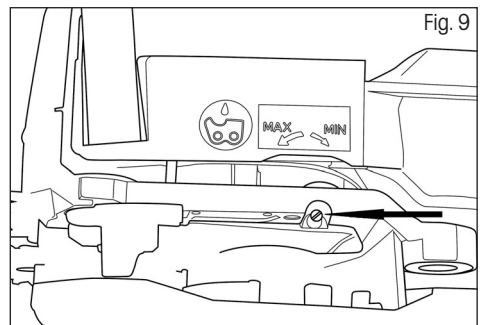
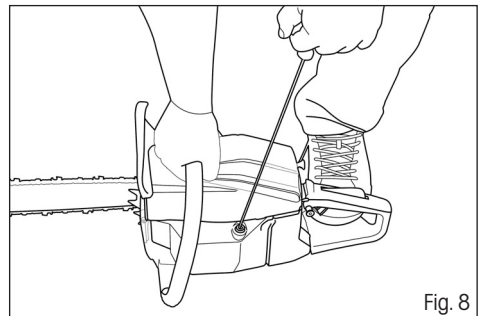
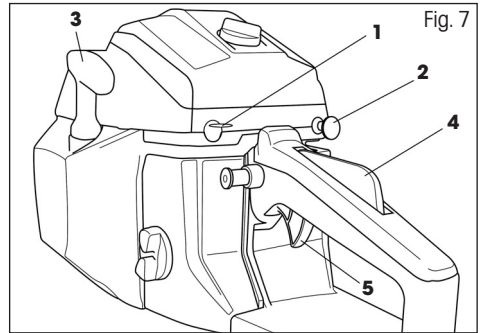
### ⚠ WARNING

The engine exhaust fumes contain chemical substances that are damaging to health. Never inhale these fumes. Always start the chain saw outdoors.

### Checking chain lubrication

**⚠ ATTENTION!** Adhere to safety provisions and prevent the guide bar from coming into contact with the surface of the terrain. Use this power tool safely and maintain a minimum distance of 20 cm from the ground.

- Before starting work, check the chain lubrication and the amount of oil in the oil tank. Start the chain saw and hold it above the ground. If you see



a growing oil stain then chain lubrication is working properly. If there are no oil stains on the ground, adjust the lubrication strength on the underside of the chain saw (Fig. 9)

- ✿ If even then, the chain is not sufficiently lubricated, clean out the oil outlet (under the sprocket cover), the top chain tensioning hole and the oil lines, or contact an authorised service centre if necessary.

## 9. ADJUSTING THE CHAIN TENSION

**⚠ ATTENTION!** Due to the effect of higher temperatures, during operation the saw chain has a tendency to lengthen. A longer chain becomes loose and could slide off the guide bar.

- ✿ Loosen the sprocket cover fastening nuts.
- ✿ Make sure that the chain is seated in the guiding groove of the guide bar.
- ✿ Use a screwdriver to turn the chain tensioning screw (Fig. 5). Turn the tensioning screw until the required tension is achieved (you should lift the chain in the middle of the guide bar in the horizontal position to a height of 3 to 4 mm).
- ✿ Firmly tighten the guide bar fastening nuts.

**⚠ ATTENTION!** Do not tension the chain excessively. Excessive tension of a warm chain may result in excessively tension when it cools down.

## 10. CUTTING

**⚠ ATTENTION!** Before proceeding, please read the chapter "Safety instructions". We recommend that you gain experience by cutting smaller logs. In this way you will also get to know the chain saw.

- ✿ Always adhere to safety instructions. The chain saw may only be used for cutting wood. It is forbidden to cut any other materials. Vibrations and kickback differ for various materials. Do not use the chain saw as a lever for lifting, moving or splitting material. It is forbidden to attach any parts or jigs other than those specified in the technical documentation.
- ✿ It is not necessary to push the chain saw into the cut. When the engine is running at full speed, push the chain saw down lightly.
- ✿ If the chain jams in the cut, do not attempt to free it by pulling, rather stretch open the cut using a wedge or crowbar.

### Safety brake (protection against kickback)

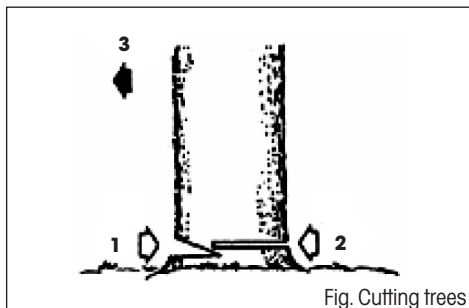
- ✿ This chain saw is equipped with an automatic chain brake that, if it works correctly, immediately stops the chain in the event of kickback. It is necessary to check the working order of the chain brake before every use of the chain saw. Run the chainsaw at full speed for 1 - 2 seconds and then tilt the front protective cover. The chain must stop immediately even when the engine is running at high speed. If the chain stops slowly or does not stop at all, please contact an authorised service centre.



- ✿ It is extremely important to check the working order of the chain brake and the sharpness of the chain before every use to ensure that the necessary level of safety in the event of a kickback is maintained. Removing safety accessories, incorrect maintenance or when using unsuitable guide bars or chains may, in the event of kickback, result in serious injuries.

### Felling trees

- ✿ Decide about the direction in which the tree will fall, respecting the wind direction, incline angle of the tree and location of the branches, and consider all other factors before cutting.
- ✿ The area around the tree must be clear, without obstacles, and must enable a stable stance. The escape route must be passable.
- ✿ Cut a wedge into one third of the tree's diameter on the side to which the tree should fall. (see Fig. Felling, point 1)
- ✿ From the opposite direction perform a separation cut at a level above the wedge cut. (see Fig. Felling, point 2)
- ✿ The tree will fall in the direction towards the wedge cut. (see Fig. Felling, point 3)



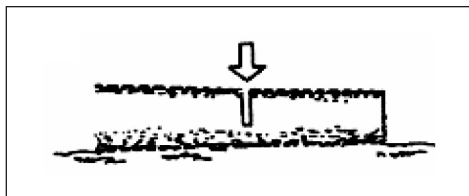
- ⚠ ATTENTION!** When felling trees, inform other people in the area about the potential danger. Felling trees requires experience and we do not recommend performing this task without the necessary experience.

### Cutting logs

- ⚠ ATTENTION!** Always maintain a stable stance. Do not step on logs.
- ⚠ ATTENTION!** Before starting work, check that all components are in their place and that all nuts and bolts are tightened.
- ✿ The log being cut may roll away. Especially when cutting on a slope, always stand above the log being cut.
  - ✿ Prevent kickback of the saw by following the instructions in chapter "Safety instructions".
  - ✿ Before starting work, assess the direction of the force causing the cut trunk to bend. The final cut needs to always be done from the opposite side of where the bending force is acting to prevent the guide bar from being clamped inside the cut.
  - ✿ Only carry the chain saw with the engine turned off and the guide bar protected by the protective cover.

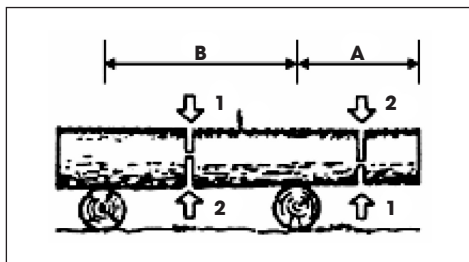
### Log lying on the ground

- ✿ Cut it halfway through, then roll it over and complete the cut from the other side.



### Log above the ground

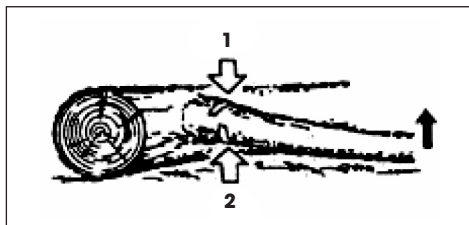
- ✿ In part "A" make a cut from below to a third of the log and then complete the cut from above. In part "B" make a cut from above to a third of the log and then complete the cut from below.



### Removing a fallen tree

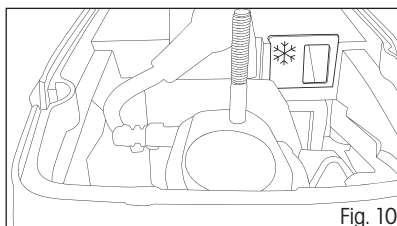
- ✿ First find out to which side the branch is bent. Then make the initial cut from the side of the bend and then complete the cut from the opposite side.

**⚠ ATTENTION!** A bent branch may spring up.

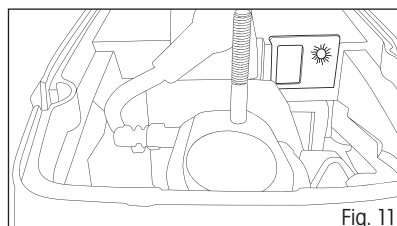


### At temperatures below 0°C

- ✿ Set the flap located behind the air filter to the winter position, see fig. 10. The winter position symbol „Snowflake“ must be visible. Thanks to this setting, cold air is drawn in together with the warm air from around the cylinder and therefore ice does not form in the carburettor.



- ✿ **At temperatures above +10°C, return the flap to the summer position, otherwise the motor may malfunction due to overheating. The summer position symbol „Sun“ must be visible, see fig. 11.**



## 11. CLEANING AND MAINTENANCE

**⚠ ATTENTION!** Prior to cleaning, inspecting or repairing the chain saw, its engine must be turned off and cold and the spark plug must be removed to prevent accidentally starting the engine.

### Maintenance after every use

- ✿ Remove the guide bar and use a brush to clean away accumulated sawdust from the entire chain saw. Use a spatula or screwdriver to remove stubborn dirt.

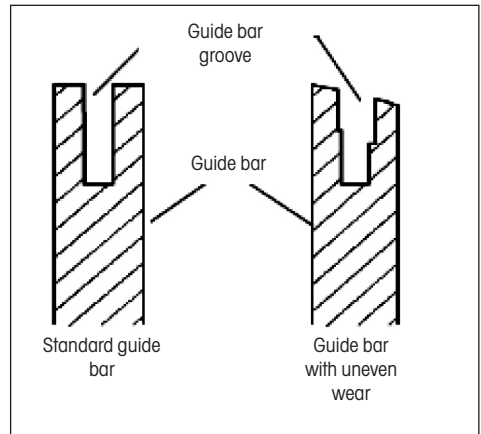
- ✿ Air filter:  
Loosen the screw (Fig 1, point 11) and remove the air filter cover. Take out the filter insert and use a brush to remove the dust. If the filter insert is clogged with dust, dismantle into 2 parts and wash it out in petrol. If you are using compressed air, blow from the inside out.
- ✿ Lubricating hole:  
Take off the guide bar and check the passage of the lubricating hole.
- ✿ Guide bar:  
After taking off the guide bar, remove dust from the grooves and the lubricating hole.
- ✿ Other parts:  
Check for any oil leaks, loose mounts and damaged main parts, particularly in the location where the handles and the guide bar are mounted. Any identified defects must be repaired before the chain saw is used again.

### Cleaning the body of the chain saw

Keep the body of the chain saw clean. When cleaning, use a soft cloth dipped in a soap solution. Use this cloth to meticulously clean the body of the chain saw.

### Maintaining the guide bar

- ✿ Most problems with the guide bar arise due to uneven wear. Uneven wear occurs mainly as a result of an incorrectly sharpened chain or an incorrectly set depth gauge. When the guide bar is worn out unevenly, the guiding groove is widened (see Picture). The result is a rattling chain and rivets falling off. The chain saw cannot be used for straight cuts. In such a case, replace the guide bar for a new one.
- ✿ Always check the condition of the guide bar before sharpening the chain. Using a worn out or damaged guide bar is very dangerous. Using a worn out or damaged guide bar will result in damage to the chain. Cutting with such a power tool will also be much more difficult and demanding.



### Normal maintenance of the guide bar

- ✿ Remove the guide bar from the body of the chain saw.
- ✿ Regularly remove sawdust from the guide bar groove. For cleaning use a spatula or a wire.
- ✿ Clean oily grooves at the end of every work day.
- ✿ Replace the guide bar if:
  - it is bent or cracked
  - its groove is very damaged or worn out

 **NOTE:** To replace the guide bar, follow the instruction contained in this user's manual. You will find the correct guide bar type in the technical specifications.

## 12. SHARPENING THE SAW CHAIN

Keep the saw chain sharp. Cutting will be significantly faster and most importantly safer. A blunt saw chain increases wear on the sprocket, guide bar, chain and engine. If you need to push on the saw and only sawdust with a few splinters are produced then this means that the chain is blunt.

**For this task, we recommend that you contact an authorised service centre**

### Equipment necessary for sharpening a saw chain

- \* Round file as per technical specifications
- \* Depth gauge
- \* File guide
- \* Vice
- \* Medium-size flat file

### Sharpening the teeth on the chain


Use the file guide set at an angle of  $30^\circ$  (mark A, see figure).

- \* Set the saw chain tension to the correct level.
- \* Fasten the guide bar in a vice so that you have the chain in a stable position.

 **NOTE:** Do not fasten the chain itself.

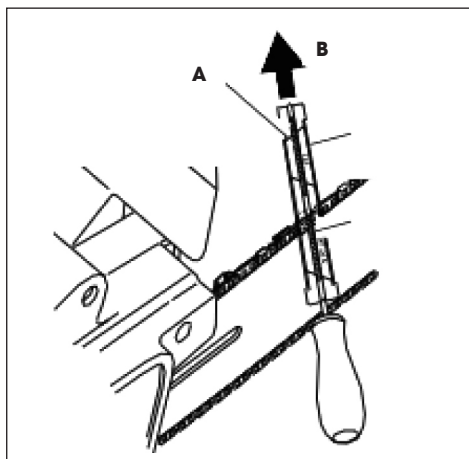
- \* Push the round file, inserted in the file guide, into the groove between the top plate and the depth gauge on the chain. The chain should be touching both the top plate as well as the depth gauge (see figure)

 **NOTE:** File in the middle of the guide bar.

 **NOTE:** In the figure you can see the position of the file guide and the direction for filing the teeth on the left side of the chain.

- \* Place the file guide at the required angle (mark A, see figure). Check that the mark is at  $30^\circ$  on the file guide aligned with the centre of the guide bar. This will ensure that you will file at an angle of  $30^\circ$ .
- \* File the tooth in the direction from inside out (in direction B, see figure) until it is sharp. File only in this direction.

 **NOTE:** Two to three passes of the file should be sufficient to sharpen the tooth.

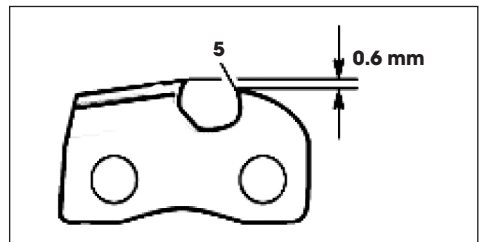
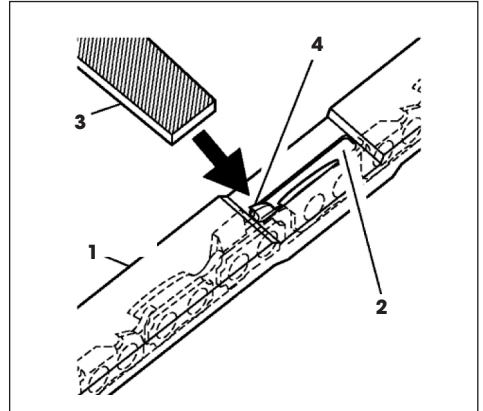


## Filing the depth gauge

As a result of sharpening the teeth on the chain, the depth gauge tolerance is reduced. After every second or third sharpening, it is necessary to adjust the depth gauge setting.

- ✿ Place the depth gauge adjustment jig (see fig., point 1) firmly on the top edge of two teeth. Make sure that the groove of the jig is in the groove of the depth gauge (see fig., point 2.)
- ✿ Use a medium-sized flat file (see fig., point 3). File the depth gauge (see fig., point 4) to the level of the depth gauge adjustment jig.
- ✿ Remove the depth gauge adjustment jig. Using a flat file, round the front edge of the depth gauge (see figure). When filing, adhere to the prescribed values (see fig., point 5).

**NOTE:** After the chain has been sharpened by hand several times, have the saw chain sharpened at an authorised service centre or sharpen it on a special sharpening machine. This will renew the even sharpness of all teeth.



# 13. REPLACING THE SAW CHAIN

**⚠ ATTENTION!** When replacing the saw chain, do not clamp the chain saw or the guide bar in a vice.

Always replace the chain if the teeth are excessively worn out and they cannot be sharpened or if the chain snaps. Use only an original spare chain according to the specifications in this user's manual. When replacing the saw chain, always also replace the cogged wheel of the sprocket. This will ensure the correct position of the chain during movement. (Note: You will find the specifications of the correct chain type and the cogged wheel in the technical specifications.)

- ✿ Loosen and remove the bar guide bolt.
- ✿ Remove the sprocket cover.
- ✿ Remove the saw chain.
- ✿ Wind the new chain around the cogged wheel, then along the top groove of the guide bar and around the guide bar nose.

**⚠ ATTENTION!** Check that the saw teeth are facing in the correct direction. Put on the chain so that the teeth on the top side of the guide bar are facing towards the guide bar nose (see figure).

- ✿ Before placing the sprocket cover into position, check that the chain tensioning pin is inserted into the adjustment hole on the guide bar.
- ✿ Put the sprocket cover back on to the body of the chain saw.
- ✿ Fasten the sprocket cover using the guide bar bolt.

**⚠ ATTENTION!** Only tighten the bolt by hand.

- ✿ Adjust the tension of the saw chain.
- ✿ Tighten the guide bar bolt.

**⚠ ATTENTION!** Check that you have not placed the saw chain on the guide bar in the opposite direction. Otherwise, the chain saw will exhibit excessive vibrations and will not cut.



# 14. MAINTENANCE TABLE

Please understand that the following maintenance intervals apply only to standard work conditions. In the event that your daily work is more demanding than normal, the maintenance intervals must be shortened correspondingly.		Before every use	After every pause for adding fuel	Every week	When damage of defect arises	As required
The entire machine	Check for: leaks, cracks and wear	X	X			
Check: trigger switch, starter, throttle lever and throttle lock lever	Check working order	X	X			
Chain brake	Check working order	X	X			
	Check performed by an authorised repair centre				X	
Fuel tank and oil tank	Check for: leaks, cracks and wear	X	X			
Fuel filter	Inspection and cleaning			X		
	Replacement of filtration element				X	Every 6 months
Chain lubrication	Check the power output	X	X			
Chain	Check for: damage, sharpness and wear	X	X			
	Check the tension	X	X			
	Sharpening: check the filing depth				X	
Guide bar	Check for: damage and wear	X	X			
	Cleaning of grooves and oil lines	X				
	Rotation, lubrication of drive wheel and removal of flashes			X		
	Replace				X	
Sprocket	Check for: damage and wear			X		Replacement with every new chain
Connecting piece	Check for: damage and wear			X		
	Replace				X	
Chain retainer	Check for: damage and wear	X	X			
	Replace				X	
All accessible nuts and bolts (excluding bolts on the carburettor)	Check and tighten			X		
Air filter	Clean	X				
	Replace				X	Every 6 months
Ribs of the cylinder and slits in the starter cover	Clean			X		
Pull cord	Check for: damage and wear			X		
	Replace				X	
Carburettor	Check idling speed (the chain must not turn at idling speed)	X	X			
Spark plug	Check the distance of the electrodes			X		
	Replace				X	Every 6 months
Anti-vibration system	Check for: damage and wear			X		

# 15. TROUBLESHOOTING

**CAUTION:** always turn off the unit and disconnect the spark plug before carrying out the checks recommended in the table, except for the cases where the unit needs to be running.

When all possible causes have been checked and the problem remains unsolved, please contact an authorised service centre. When you identify a problem that is not included in the table, please contact an authorised service centre.

PROBLEM	POSSIBLE CAUSES	SOLUTION
The motor cannot be started or stops several seconds after starting. (Make sure that the switch is in position „I“)	<ol style="list-style-type: none"> <li>1. The spark plug is not firing</li> <li>2. The motor is flooded</li> </ol>	<ol style="list-style-type: none"> <li>1. Check that the spark plug is firing. If the spark plug is not firing, repeat the test with a new spark plug (WXL7T).</li> <li>2. Take out the spark plug and pull the starting cord several times. Then reinsert the cleaned spark plug and start without using the choke.</li> </ol>
The motor starts but does not properly increase its speed or does not run properly at high speeds.	The carburettor must be adjusted.	Contact an authorised service centre to have the carburettor adjusted
The motor does not reach full speed and/or emits too much smoke.	<ol style="list-style-type: none"> <li>1. Check the petrol - oil mixture.</li> <li>2. Dirty air filter.</li> <li>3. The carburettor must be adjusted.</li> </ol>	<ol style="list-style-type: none"> <li>1. Only use fresh petrol and oil suitable for two-stroke engines.</li> <li>2. Clean it; see instructions in chapter 11.</li> <li>3. Contact an authorised service centre to have the carburettor adjusted</li> </ol>
The engine starts, works and accelerates, but does not maintain idling speed.	The carburettor must be adjusted.	Contact an authorised service centre to have the carburettor adjusted.
The guide bar and chain heat up and smoke while running	<ol style="list-style-type: none"> <li>1. Empty chain oil tank</li> <li>2. Chain is overly tensioned</li> <li>3. Lubrication system not working properly</li> </ol>	<ol style="list-style-type: none"> <li>1. The oil tank must be filled up every time when the fuel tank is filled.</li> <li>2. Tensioning the chain; see instructions in chapter 5.</li> <li>3. Allow it to run at maximum speed for 15-30 seconds. Stop and check whether oil is dripping from the tip of the guide bar. If there is oil there, the faulty operation may be caused by a loose chain or damaged guide bar. If there is no oil there, contact an authorised service centre</li> </ol>
The motor starts but the chain is not running. <b>CAUTION:</b> when the motor is running, never touch the chain	<ol style="list-style-type: none"> <li>1. Chain brake engaged</li> <li>2. Chain is overly tensioned</li> <li>3. Guide bar and chain installation</li> <li>4. Damaged chain and/or guide bar</li> <li>5. Damaged clutch and/or pinion</li> </ol>	<ol style="list-style-type: none"> <li>1. Disengage the chain brake; see chapter 7.</li> <li>2. Tensioning the chain; see instructions in chapter 9.</li> <li>3. See instructions in chapter 5.</li> <li>4. See instructions in chapter 11. and 13.</li> <li>5. If necessary, replace it; contact an authorised service centre</li> </ol>



## 16. TECHNICAL PARAMETERS

Type.....	FZP 5016 B
Engine.....	50.4 cm <sup>3</sup>
Maximum engine power.....	2.0 kW / 11.500 rpm
Maximum engine speed with cutting tool.....	11.500 rpm
Maximum engine speed when idling.....	3.000 rpm
Guide bar length.....	405 mm
Cutting length.....	345 mm
Chain pitch.....	0.375 inch
Guiding groove width.....	1.5 mm
Number of drive chain links.....	57
File diameter.....	4 mm
Weight (without the guide bar and chain).....	5,75 kg
Dimensions (including the guide bar and chain).....	790 x 235 x 245 mm
Fuel mix (petrol : oil).....	40:1
Fuel tank capacity.....	540 ml
Oil tank capacity.....	240 ml
Chain lubricating oil.....	total-loss lubrication oil
Chain lubrication system.....	adjustable automatic pump
Sound pressure level.....	LpA: 115 dB(A)
Guaranteed emission level of sound power.....	LwA: 108 dB(A)
Vibration* – front handle.....	7.212 m/s <sup>2</sup>
Vibration* – rear handle.....	6.530 m/s <sup>2</sup>

Year of manufacture: 2016

\* If you find that the vibrations being transferred to the handle have become noticeably worse compared to the condition when the chain saw was new, check the wear on the silentblocks (rubber coated mounting elements) and if necessary contact an authorised service centre to have them replaced.

**⚠ ATTENTION!** Working with a chain saw with an incorrectly working vibration shock absorption system may lead to health problems.

# 17. DISPOSAL

## **INSTRUCTIONS AND INFORMATION REGARDING THE DISPOSAL OF USED PACKAGING MATERIALS**

Dispose of used packaging material at a site designated for waste in your municipality.



The machine and its accessories are manufactured from various materials, e.g. metal and plastic.

Take damaged parts to a recycling centre. Inquire at the relevant government department.



This product meets all the basic requirements of EU directives that apply to it.

Changes in the text, design and technical specifications may be made without prior notice and we reserve the right to make these changes.

User s manual in the original language.

# 18. DECLARATION OF CONFORMITY

## EC Declaration of Conformity

Fast ČR, a.s., Černokostecká 251 01 Říčany u Prahy, phone: 323204111, declares with binding effect, that petrol, chain saw Fieldmann FZP 5016-B (the year of manufacture is indicated on a type label and is followed by a serial number of the machine), complies with the requirements of DIRECTIVE OF THE COUNCIL

EC Machinery Directive (MD) 2006/42/EC (98/37/EDC)

EC Electromagnetic Compatibility Directive (EMC)

EC Noise Directive (ND) 2005/88/EC (2000/14/EC)

EC Emission of gaseous 2002/88/EC

and has been tested in compliance with the following standards:

EN ISO 11681-1:2011

EN ISO 14982:1998; EN ISO 14982:2009

EN ISO 3744:2010

ISO 9207:1995

Technical specification:

50.4cm<sup>3</sup>, 2.0kW

CE label: 15

Říčany, 29 November 2015

name stamp signature

Petr Uher

Quality manager

**FAST** FAST ČR, a.s.   
Černokostecká 1621  
251 01 Říčany u Prahy  
ICO: 26726548 tel.: +420/ 323 204 111  
DIČ: CZ26726548 fax: +420/ 323 204 110





# Řetězová pila

## NÁVOD K OBSLUZE

**Děkujeme vám, že jste si zakoupili tuto řetězovou pilu. Než ji začnete používat, přečtěte si, prosím, pozorně tento návod k obsluze a uschovejte jej pro případ dalšího použití.**

## OBSAH

1. VŠEOBECNÉ BEZPEČNOSTNÍ PŘEDPISY .....	31
Důležitá bezpečnostní upozornění .....	31
Obal .....	31
Návod k použití .....	31
2. VYSVĚTLENÍ ŠTÍTKŮ S POKYNY NA STROJI .....	32
3. BEZPEČNOSTNÍ POKYNY .....	33
Před použitím stroje .....	33
Bezpečnost obsluhy, pracovní vybavení a oděv .....	33
Pokyny při manipulaci s palivem .....	35
4. POPIS STROJE A OBSAH DODÁVKY .....	36
Popis stroje (viz Obr. 1) .....	36
5. INSTALACE OPĚRNÝCH ZUBŮ, VODÍCÍ LIŠTY A ŘETĚZU .....	37
Instalace opěrných zubů .....	37
Instalace vodící lišty a řetězu .....	37
6. PALIVO A OLEJ PRO MAZÁNÍ ŘETĚZU .....	38
Naplnění nádržky olejem .....	38
Příprava palivové směsi .....	38
Skladování paliva .....	39
7. PŘÍPRAVA NA POUŽITÍ .....	39
Brzda řetězu (Obr. 1, bod 9) .....	40
Kontrola funkce brzdy .....	40
8. SPUŠTĚNÍ A VYPNUTÍ PILY .....	40
Startování studeného motoru .....	40
Startování zahřátého motoru .....	41
Regulace otáček .....	41
Zastavení motoru .....	41
Kontrola mazání řetězu .....	41
9. SEŘÍZENÍ NAPNUTÍ ŘETĚZU .....	42
10. ŘEZÁNÍ .....	42
Bezpečnostní brzda (ochrana proti zpětnému rázu) .....	42
Kácení stromu .....	43
Řezání polen .....	43
Poleno ležící na zemi .....	43
Poleno nad zemí .....	44
Odvětvování padlého stromu .....	44

11. ČIŠTĚNÍ A ÚDRŽBA NÁŘADÍ .....	44
Údržba po každém použití.....	44
Čištění tělesa řetězové pily.....	45
Údržba vodící lišty .....	45
Běžná údržby vodící lišty .....	45
12. OSTŘENÍ PILOVÉHO ŘETĚZU .....	46
Vybavení nezbytné pro ostření pilového řetězu.....	46
Ostření zubů řetězu.....	46
Pilování omezovacího zubu .....	47
13. VÝMĚNA PILOVÉHO ŘETĚZU .....	48
14. TABULKA ÚDRŽBY .....	49
15. ŘEŠENÍ PROBLÉMŮ.....	50
16. TECHNICKÉ PARAMETRY .....	51
17. LIKVIDACE.....	52
18. PROHLÁŠENÍ O SHODĚ .....	53

# 1. VŠEOBECNÉ BEZPEČNOSTNÍ PŘEDPISY

## Důležitá bezpečnostní upozornění

- ✿ Výrobek pečlivě vybalte a dejte pozor, abyste nevyhodili žádnou část obalového materiálu dříve, než najdete všechny součásti výrobku.
- ✿ Výrobek uchovávejte na suchém místě mimo dosah dětí.
- ✿ Čtěte všechna upozornění a pokyny. Zanedbání při dodržování varovných upozornění a pokynů mohou mít za následek úraz elektrickým proudem, požár a/nebo těžká poranění.

## Obal

Výrobek je umístěn v obalu bránícím poškozením při transportu. Tento obal je surovinou a lze jej proto odevzdat k recyklaci.

## Návod k použití

Než začnete se strojem pracovat, přečtěte si následující bezpečnostní předpisy a pokyny k používání. Seznamte se s obslužnými prvky a správným používáním zařízení. Návod pečlivě uschovejte pro případ pozdější potřeby. Minimálně po dobu záruky doporučujeme uschovat originální obal včetně vnitřního balícího materiálu, pokladní doklad a záruční list.

V případě přepravy zabalte stroj zpět do originální krabice od výrobce, zajistíte si tak maximální ochranu výrobku při případném transportu (např. stěhování nebo odeslání do servisního střediska).

 **POZNÁMKA:** Předáváte-li stroj dalším osobám, předejte jej společně s návodem.

Dodržování přiloženého návodu k obsluze je předpokladem řádného používání stroje. Návod k obsluze obsahuje rovněž pokyny pro obsluhu, údržbu a opravy.

**Výrobce nepřebírá odpovědnost za nehody nebo škody vzniklé následkem nedodržování tohoto návodu.**

## 2. VYSVĚTLENÍ ŠTÍTKŮ S POKYNY NA STROJI



Před použitím stroje si pozorně přečtěte návod k obsluze.



Při obsluze stroje noste ochranné pomůcky jako ochranné brýle, sluchátka apod.



Při obsluze řetězové pily používejte vždy obě ruce.



Při práci používejte ochranné rukavice.



Používejte pevnou izolační pracovní obuv.



Pozor! Nebezpečí zpětného rázu



Varování! Pozor!



## 3. BEZPEČNOSTNÍ POKYNY

**⚠ POZOR!** Bezpečnostní pokyny uvedené v tomto návodu k obsluze označené symbolem obsahují kritické body, na které je potřeba dávat pozor při obsluze stroje, aby nedošlo k vážným či smrtelným poraněním. Přečtěte si prosím důkladně bezpečnostní instrukce a dodržujte je.

**⚠ POZOR!** Tento symbol označuje pokyny, které musí být dodržovány, aby nedošlo k nehodám, které mohou mít za následek vážné či smrtelné zranění.

**📖 POZNÁMKA:** Tento symbol označuje nápoředu nebo pokyny užitečné při obsluze přístroje.

### Před použitím stroje

- ✿ Před použitím stroje si pozorně přečtěte návod k obsluze.
- ✿ Příklad nepoužívejte, jste-li pod vlivem alkoholu nebo omamných látek, jste-li unaveni nebo vyčerpáni. Příklad nepoužívejte v případě užívání léků, které by mohly ovlivnit a omezit vaše rozhodovací schopnosti při bezpečné obsluze stroje.
- ✿ Nepoužívejte stroj ve vnitřních prostorách, uvolněné plyny obsahují škodlivý oxid uhelnatý.
- ✿ Nikdy nepoužívejte přístroj za podmínek uvedených níže:
  - Pokud je pracovní plocha kluzká nebo v případě, že klimatické podmínky Vám nedovolují při obsluze stroje udržet stabilní postoj.
  - Pokud je tma, silná mlha, nebo za špatných klimatických podmínek, které omezují viditelnost pracovní plochy.
  - Za deště, bouřky, silného větru nebo za jiných podmínek, kterou mohou být nebezpečné při používání stroje.
- ✿ Pokud pilu používáte poprvé, před začátkem práci se prosím poradte se zkušeným pracovníkem.
- ✿ V důsledku únavy nebo fyzického vyčerpání může dojít k nepozornosti, která může mít za následek vážné poranění
- ✿ Omezte dobu obsluhy stroje na cca 10 minut v případě jednoho použití a snažte se mezi jednotlivými pracemi zhruba 10–20 minut odpočívat. Omezte celkové množství práci během jednoho dne na zhruba 2 hodiny.
- ✿ Ujistěte se, že máte návod k obsluze při sobě, pokud byste jej potřebovali použít.
- ✿ Pokud přístroj prodáváte, půjčujete nebo předáváte, ujistěte se, že jej předáváte spolu s návodem k obsluze.
- ✿ Nikdy nedovolte dětem, nebo jiným osobám, které nejsou dostatečně seznámeny s návodem k obsluze, aby používali tento přístroj.

### Bezpečnost obsluhy, pracovní vybavení a oděv

- ✿ Při obsluze řetězové pily byste měli nosit následující pracovní oblečení a ochranné pomůcky:
  - Helmu
  - Ochranné brýle nebo ochranný štít na obličej
  - Pracovní rukavice
  - Protiskluzové pracovní boty
  - Ochranná sluchátka

- ✿ A dále byste sebou měli mít
  - Náradí přiložené v balení
  - Dostatečnou rezervu paliva a oleje pro mazání řetězu
  - Pomůcky, kterými vyznačíte pracovní oblast (lano, varovné značky)
  - Píšťalku (pro přivolání pomoci)
  - Pilku nebo sekeru (pro případné odstranění překážek)
- ✿ Při práci nikdy nepoužívejte volny oděv, šperky, které by mohly být zachyceny pilou. Při práci nepoužívejte sandály nebo nepracujte naboso.
- ✿ Zkontrolujte pracovní plochu, předmět řezání a směr řezání. Odstraňte překážky.
- ✿ Nikdy nezačínějte práce, pokud není pracovní plocha čistá, nemáte zajištěn stabilní postoj a nemáte naplánovanou únikovou cestu před padajícím stromem.
- ✿ Dbejte zvýšené opatrnosti a udržujte kolemjdoucí a domácí zvířata mimo pracovní prostor a to ve vzdálenosti minimálně 2,5 násobku délky řezaného objektu.
- ✿ Zkontrolujte poškozené, opotřebené nebo chybějící součásti stroje. Nikdy stroj nepoužívejte, je-li poškozený, nesprávně seřízený nebo je nekompletní. Ujistěte se, že řetěz se přestane točit, je-li páčka plynu uvolněná.
- ✿ Udržujte rukojeti suché, čisté a bez skvrn od oleje nebo paliva.
- ✿ Nedotýkejte se flumiče, zapalovací svíčky nebo jiných kovových částí motoru, pokud je stroj zapnutý nebo těsně po jeho vypnutí - hrozí riziko popálení nebo úrazu elektrickým proudem.
- ✿ Věnujte mimořádnou pozornost řezání tenkých větví a kmínků, protože křehký materiál může být zachycen řetězem, vymrštěn proti obsluze a může tak způsobit ztrátu rovnováhy.
- ✿ Při řezání napružených větví pamatujte na možnost jejich vymrštění po uvolnění napětí přeříznutím vláken dřeva.
- ✿ Zkontrolujte a odstraňte suché větve, které by se mohly uvolnit z padajícího stromu.
- ✿ Pokud přístroj odkládáte, ujistěte se, že je vypnutý.

**⚠ POZOR na zpětný ráz!** Ke zpětnému rázu může dojít, když se přední část lišty dostane do kontaktu s objektem nebo když řezaný materiál sevře řetěz v řezu. Při kontaktu s objektem může dojít k vymrštění pily se současným pohybem lišty nahoru a vzad směrem k obsluze. Sevření řetězu v řezu může vest k rychlému zpětnému pohybu lišty směrem k obsluze. Obě tyto reakce mohou vest ke ztrátě kontroly nad pilou s následnými těžkými úrazy. Nespoléhejte pouze na bezpečnostní zařízení pily. Jako uživatel pily musíte neustále dodržovat několik pravidel k předcházení úrazům nebo škodám.

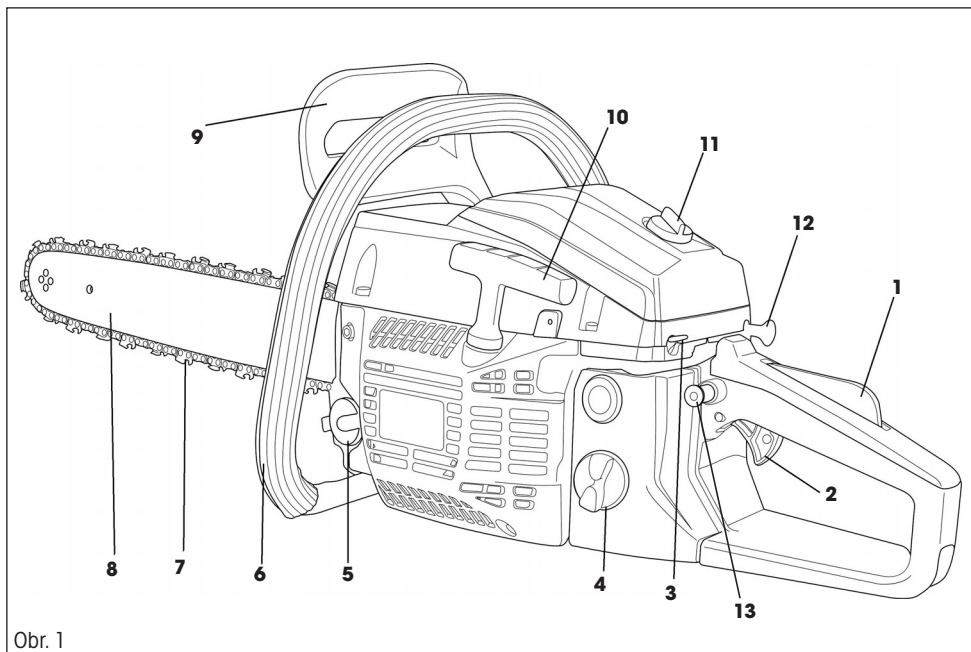
- ✿ Pokud jste seznámeni s principem zpětného rázu, můžete snížit nebo vyloučit moment překvapení. Nečekané reakce vedou k nehodám.
- ✿ Je-li motor v chodu, pilu pevně uchopte oběma rukama, pravou ruku na zadní rukojeti a levou ruku na přední. Rukojeti pily pevně obemkněte palcem směřujícím proti ostatním prstům. Pevné uchopení pomůže omezit zpětný raz a udržet pilu pod kontrolou.
- ✿ Na pracovišti nesmějí být žádné překážky. Volný konec lišty nesmí při práci s pilou zavadit o větev, kmen nebo jinou překážku.
- ✿ Řezejte při vysokých otáčkách motoru.
- ✿ Při řezání nesmí dojít ke ztrátě stabilního postoje, řezání provádějte nejvýše do výšky ramen.
- ✿ Dodržujte pokyny výrobce k mazání a ostření řetězu.
- ✿ Používejte pouze náhradní řetězy a lišty uvedené výrobcem nebo jejich ekvivalenty.

## Pokyny při manipulaci s palivem

Motor stroje je navržen tak, že využívá směs paliva, která je vysoce hořlavá. Nikdy neskladujte nádoby s palivem nebo nedoplňujte palivo v blízkosti otevřeného ohně, kamen, elektrických rozvodů, svařovacích prací nebo jiného zdroje tepla nebo ohně, které by mohlo vézt ke vznícení.

- ✿ Při obsluze stroje nebo při doplňování paliva je zakázáno kouřit.
- ✿ V případě doplňování paliva se ujistěte, že je stroj vypnutý a že se v jeho blízkosti nevyskytuje žádný zdroj otevřeného ohně.
- ✿ Pokud dojde k porušení přístroje palivem, použijte suchý hadřík a skvrny vysušte.
- ✿ Po doplnění paliva zašroubujte uzávěr palivové nádrže a odneste přístroj do vzdálenosti minimálně 3 m od místa, kde bylo palivo doplněno a poté stroj nastartujte.

## 4. POPIS STROJE A OBSAH DODÁVKY



### Popis stroje (viz Obr. 1)

1. Bezpečnostní pojistka plynu
2. Ovládání plynu
3. Hlavní vypínač
4. Zátka palivové nádrže
5. Zátka olejové nádrže
6. Přední madlo

7. Řetěz
8. Vodící lišta
9. Bezpečnostní brzda
10. Madlo startování
11. Šroub krytu vzduchového filtru
12. Ovládání sytiče
13. Aretace plynu

Obsah balení: Benzínová pila, lišta Oregon 405 mm, řetěz Oregon, plastový kryt lišty, kalibrovaná nádoba na přípravu palivové směsi, sada nářadí s pilníkem.

## 5. INSTALACE OPĚRNÝCH ZUBŮ, VODÍCÍ LIŠTY A ŘETĚZU

**⚠ POZOR!** Při instalaci a při provádění kontrol řetězu používejte vždy ochranné rukavice, abyste zabránili zraněním způsobeným ostrými břity řetězu.

### Instalace opěrných zubů

☼ Pomocí přiloženého šestihranného klíče a šroubů připevněte opěrné zuby, viz obrázek (Obr. 2).

### Instalace vodící lišty a řetězu

☼ Páka bezpečnostní brzdy (Obr. 1, bod 9) musí být odjištěna (přitáhněte směrem k hornímu madlu)

☼ Povolte dvě matice a sejměte kryt řetězky (Obr. 3, bod 1).

☼ Řetěz nasadíte na lištu a poté navlékněte na řetězku (pastorek). Současně přidržujte řetěz na liště

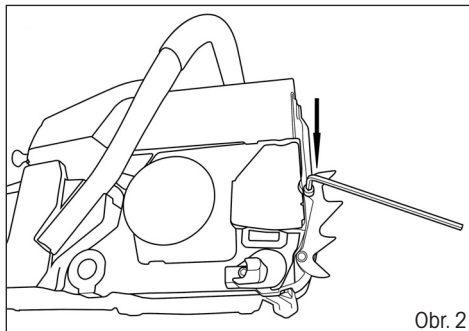
**⚠ POZOR!** Čep dopínání řetězu (Obr. 3, bod 2) musí zapadnout do otvoru v liště (Obr. 3, bod 3). Polohu tohoto čepu lze nastavit šroubem pro dopínání řetězu (Obr. 5)

**⚠ POZOR!** Dbejte na to, aby byl řetěz vždy správně usazen v prstenci řetězky (Obr. 4). V případě, že tomu tak není může dojít k poškození pily.

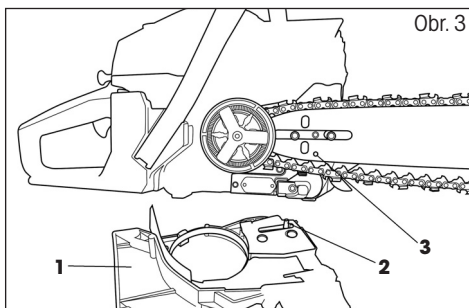
☼ Nasadíte zpět kryt řetězky. Šrouby zcela neutahujte, dotáhněte je pouze rukou, aby bylo možné dopnout řetěz

☼ Řetěz dopnete dopínacím šroubem (Obr. 5) a následně dotáhněte matice krytu řetězky přiloženým trubkovým klíčem

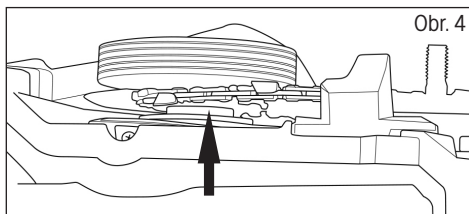
**⚠ POZOR!** Napnutí řetězu je správné, můžete-li řetěz zvednout z vodící lišty a je-li jeho výška v horizontální poloze uprostřed vodící lišty 3 až 4 mm.



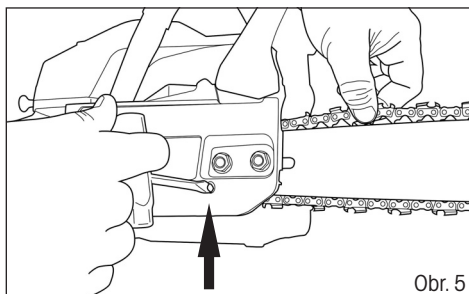
Obr. 2



Obr. 3



Obr. 4



Obr. 5

## 6. PALIVO A OLEJ PRO MAZÁNÍ ŘETĚZU

### Naplnění nádržky olejem

**⚠ POZOR!** Nový řetěz vyžaduje určitou dobu záběhu, která trvá zhruba 5 minut. V této fázi je velmi důležité mazání řetězu. Po této době záběhu zkontrolujte napnutí řetězu a je-li to nutné, proveďte jeho další seřízení.

- ✿ Nádržka na olej u dodané pily je prázdná. Před prvním použitím pily naplňte tuto nádržku olejem.
- ✿ Používejte pouze olej určený pro ztrátové mazání
- ✿ Odšroubujte víčko plnicího otvoru (Obr. 6, bod 1).
- ✿ Nalijte do nádržky olej (dávejte pozor, abyste zabránili znečištění oleje během plnění nádržky).
- ✿ Zašroubujte víčko plnicího otvoru.
- ✿ Před použitím pily by nádržka na olej neměla být nikdy zcela prázdná, hrozilo by poškození lišty a řetězu
- ✿ Kontrolu stavu hladiny oleje lze provést opticky po odšroubování víčka.

**⚠ POZOR!** Nepoužívejte olej, který byl již použit nebo zpracován, protože by mohlo dojít k poškození olejového čerpadla.

### Příprava palivové směsi

**⚠ POZOR!** Nikdy nedoplňujte palivo do palivové nádrže na uzavřeném a nevětraném místě.

**⚠ POZOR!** Nedoplňujte palivo v blízkosti otevřeného plamene nebo zdroje jiskření.

**⚠ POZOR!** Nádrž nepřelijte. Před nastartováním motoru zajistěte, aby byly setřeny všechny zbytky rozlitého paliva.

**⚠ POZOR!** Je-li motor horký, NEDOPLŇUJTE PALIVO.

✿ Pro tento typ dvoutaktního motoru je používán mix bezolovnatého benzínu s olejem pro dvoutaktní motory. První dvě hodiny provozu použijte poměr 25:1, po dvou hodinách provozu 40:1.

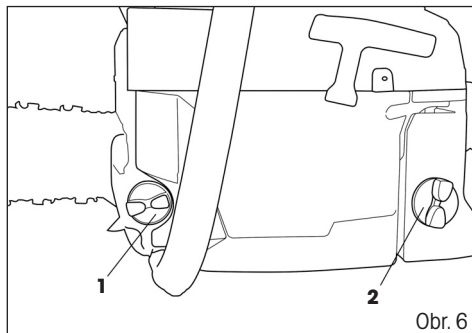
**⚠ POZOR!** Palivová směs namíchaná v jiném poměru může způsobit poškození motoru. Ujistěte se, zda je tato směs namíchaná správně.

- ✿ Při míchání benzínu s motorovým olejem pro dvoudobé motory používejte pouze benzín, který neobsahuje ŽÁDNÝ ETANOL nebo METANOL (typy alkoholu).
- ✿ Používejte kvalitní benzín s oktanovým číslem 95 nebo vyšším. Takto pomůžete zabránit možnému poškození palivového systému a jiných částí motoru.
- ✿ Pro namíchání palivové směsi doporučujeme použít kalibrovanou nádobu přiloženou v balení pily. NEPROVÁDĚJTE MÍCHÁNÍ BENZÍNU A OLEJE PŘÍMO V PALIVOVÉ NÁDRŽI.
- ✿ Odšroubujte zátku palivové nádrže (Obr. 6, bod 2) a nalijte palivo. Poté našroubujte zátku zpět.

## Skladování paliva

Skladujte palivo pouze v čistém, bezpečném a schváleném kanystru. Nastudujte si a dodržujte místní předpisy týkající se typu a umístění kanystrů s palivem.

- ⚠ **POZOR!** Palivo pro dvoudobé motory se může separovat. Před každým použitím každý kanystr s palivem řádně protřepejte.
- ⚠ **POZOR!** Skladované palivo stárne. Nemíchejte si více paliva, než předpokládáte, že spotřebujete do jednoho měsíce.



Obr. 6

## 7. PŘÍPRAVA NA POUŽITÍ

- ⚠ **DŮLEŽITÉ:** Dbejte pokynů pro přípravu palivové směsi! Nedodržení pokynů může vést k poškození motoru! Nepoužívejte palivo, které bylo skladováno déle než dva měsíce. Palivová směs skladovaná déle než dva měsíce způsobí problémy při startování a nižší výkon motoru. Bude-li palivová směs skladována déle než dva měsíce, měla by být odstraněna a musí být použito nové palivo.
- ⚠ **POZOR!** Používání benzínové řetězové pily může být regulováno místními předpisy.
  - ✿ Zkontrolujte poškozené, opotřebené nebo chybějící součásti stroje. Nikdy stroj nepoužívejte, je-li poškozený, nesprávně seřizeny nebo je nekompletní
  - ✿ Zkontrolujte, zda nedošlo k uvolnění šroubů, matic a montážních prvků. Uvolněné šrouby dotáhněte.
  - ✿ Zkontrolujte, zda není znečištěn vzduchový filtr. Před zahájením práce odstraňte ze vzduchového filtru všechny nečistoty.
  - ✿ Zkontrolujte dopnutí řetězu. Správně dopnutý řetěz můžete zvednout uprostřed vodicí lišty v horizontální poloze 3 až 4 mm
  - ✿ Udržujte rukojeť suché, čisté a bez skvrn od oleje nebo paliva.
  - ✿ Ujistěte se, zda nedochází k únikům z palivové nádrže.
  - ✿ Zkontrolujte pracovní plochu, předmět řezání a směr řezání. Odstraňte překážky.
  - ✿ Nikdy nezačínějte práci, pokud není pracovní plocha čistá, nemáte stabilní postoj a nemáte naplánovanou únikovou cestu před padajícím stromem.
  - ✿ Dbejte zvýšené opatrnosti a udržujte kolemjdoucí a domácí zvířata mimo pracovní prostor, a to ve vzdálenosti minimálně 2,5 násobku délky řezaného objektu.
- ⚠ **UPOZORNĚNÍ:** Doporučená kombinace lišty a řetězu vyplývá z technických parametrů uvedených v kapitole 14. Pilu nepoužívejte s delší lištou než 18" (45 cm). Použití delší lišty může způsobit výrazný pokles výkonu.

## Brzda řetězu (Obr. 1, bod 9)

Tato pila je vybavena automatickou brzdou, která zastaví rotaci řetězu v případě, že během provozu dojde k zpětnému nárazu. Brzda je spouštěna automaticky působením setrvačné síly na závaží umístěné pod předním krytem. Tuto brzdu lze také obsluhovat ručně sklopením předního ochranného rámu dolů směrem k liště. Brzda se opět uvolní přitážením předního ochranného rámu zpět k madlu pily.

**⚠ POZOR!** Před každým použitím ověřte následujícím způsobem, že je brzda řetězu funkční.

### Kontrola funkce brzdy

- ✿ Položte pilu v chodu na zem a na 1 až 2 sekundy ji nechejte v chodu v maximálních otáčkách.
- ✿ Zatlačte páku brzdy (Obr. 1, bod 9) dopředu. Řetěz by se měl ihned zastavit.

**⚠ POZOR!** Zastavuje-li se řetěz pomalu nebo nezastaví-li se vůbec, pilu nepoužívejte a kontaktujte autorizované servisní středisko.

- ✿ Chcete-li brzdu uvolnit, přitáhněte páku brzdy směrem k horní rukojeti tak, abyste uslyšeli typický cvaknutí.

**⚠ POZOR!** Ujistěte se, zda je funkce brzdy řetězu v pořádku. Správně fungující brzda řetězu Vás ochrání proti případnému úrazu, který může způsobit zpětný ráz. V případě, kdy brzda nepracuje správně, svěřte její seřízení nebo opravu autorizovanému servisu.

# 8. SPUŠTĚNÍ A VYPNUTÍ PILY

## ⚠ VAROVÁNÍ

- ✿ Před nastartováním motoru se ujistěte, že se řetěz volně pohybuje po liště a nedotýká se žádného cizího předmětu.
- ✿ Při minimálních otáčkách motoru se řetěz pily nesmí otáčet. V opačném případě kontaktujte autorizované servisní středisko, aby provedlo kontrolu a problém odstranilo.
- ✿ Před nastartováním motoru se ujistěte, že se páčka plynu pohybuje volně.

**⚠ UPOZORNĚNÍ:** Vystavení vibracím může způsobit poškození zdraví osob, které trpí problémy oběhového systému nebo nervovými problémy. Pokud se projeví fyzické symptomy, jako znecitlivění, snížení citlivosti, snížení normální síly nebo změny zabarvení pokožky, obraťte se na lékaře. Tyto symptomy se obvykle projeví na prstech, rukou nebo zápěstí.

## Startování studeného motoru

1. Nastavte hlavní vypínač do horní polohy (viz Obr. 7, bod 1)
2. Vytáhněte páčku sytiče (Obr. 7, bod 2), ale nemanipulujte s páčkou ovládání plynu.
3. Pilu položte na rovnou zem tak, aby byla stabilní a tahejte za rukojeť startovací šňůry, dokud nedojde k protočení motoru (motor projeví snahu nastartovat) (Obr. 8).
4. V tomto okamžiku zatlačte páčku sytiče zpět (Obr. 7, bod 2) a opětovným taháním za startovací šňůru motor nastartujte.



**⚠ POZOR!** Příliš dlouhé protáčení motoru s vytaženou páčkou sytiče způsobí přeplavení motoru a problémy s jeho startováním.

- Před zahájením práce nechejte motor několik minut zahřívát na provozní teplotu.

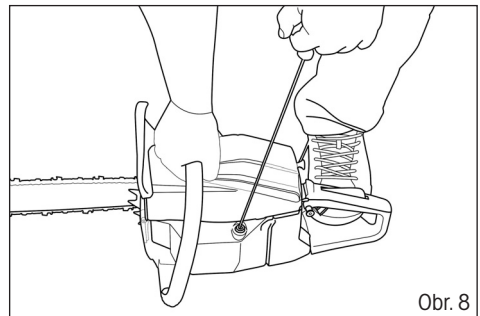
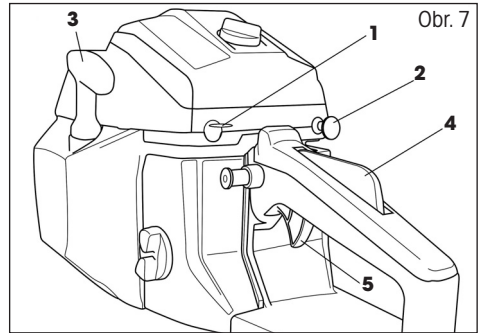
### Startování zahřátého motoru

- Nastavte horní vypínač do horní polohy (viz Obr. 7, bod 1)
- Tahejte za rukojeť startovací šňůry, dokud nedojde k nastartování motoru (Obr. 8)  
**NEPOUŽÍVEJTE SYTIČ!**

**⚠ POZOR!** Došlo-li k úplnému spotřebování paliva v palivové nádrži, po doplnění paliva zopakujte kroky pro **STARTOVÁNÍ STUDENÉHO MOTORU**.

### Regulace otáček

- Pro zvýšení otáček stiskněte nejdříve dlaní bezpečnostní pojistku plynu (Obr. 7, bod 4) a poté palcem stlačte páčku ovládání plynu (Obr. 7, bod 5)
- Pro snížení otáček uvolněte páčku ovládání plynu



### Zastavení motoru

- Uvolněte páčku ovládání plynu (Obr. 7, bod 5) a přepněte hlavní vypínač do polohy „Stop“ (Obr. 1, bod 1).

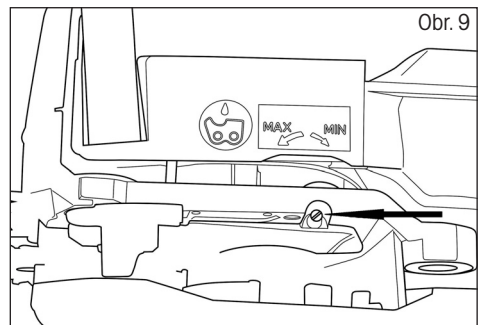
### ⚠ VAROVÁNÍ

Výfukové plyny motoru obsahují chemické látky, které jsou zdraví škodlivé. Nikdy tyto plyny nevdechujte. Pilu vždy startujte mimo budovu.

### Kontrola mazání řetězu

**⚠ POZOR!** Dodržujte bezpečnostní opatření a zabráněte kontaktu vodicí lišty s povrchem terénu. Používejte toto nářadí bezpečně a udržujte minimální vzdálenost od země 20 cm.

- Před zahájením práce zkontrolujte namazání řetězu a množství oleje v nádrži pily. Zapněte pilu a držte ji nad zemí. Uvidíte-li zvětšující se stopy po oleji, mazání řetězu probíhá správně. Nebudou-li na zemi žádné stopy oleje, nastavte sílu mazání na spodní straně pily (Obr. 9)



- ✿ V případě, že ani poté není řetěz dostatečně mazán, očistěte výstupní otvor pro olej (pod krytem řetězky), horní otvor napínání řetězu a rozvod oleje, případně kontaktujte autorizované servisní středisko.

## 9. SEŘÍZENÍ NAPNUTÍ ŘETĚZU

**⚠ POZOR!** Během provozu má řetěz pily působením vyšší teploty tendenci se prodlužovat. Delší řetěz se uvolňuje a může sklouznout z vodicí lišty.

- ✿ Povolte upínací matice krytu řetězky.
- ✿ Ujistěte se, že je řetěz nasazen ve vodicí drážce vodicí lišty.
- ✿ Pro otočení seřizovací šroubu napnutí řetězu (Obr. 5) použijte šroubovák. Otáčejte seřizovacím šroubem, dokud nedosáhnete požadovaného napnutí řetězu (měli byste řetěz zvednout uprostřed vodicí lišty v horizontální poloze zhruba do výšky 3 až 4 mm).
- ✿ Pevně utáhněte upínací matice vodicí lišty.

**⚠ POZOR!** Řetěz příliš nenapínejte. Přílišné napnutí zahřátého řetězu může vést k jeho nadměrnému napnutí po vychladnutí.

## 10. ŘEZÁNÍ

**⚠ POZOR!** Než budete pokračovat, přečtěte si kapitulu „Bezpečnostní pokyny“. Doporučujeme získat zkušenosti při řezání menších polen. Tím se také s pilou seznámíte.

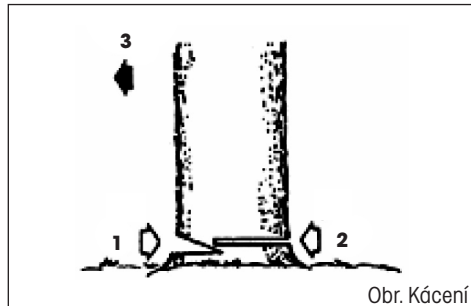
- ✿ Vždy dodržujte bezpečnostní pokyny. Řetězovou pilu lze používat pouze k řezání dřeva. Je zakázáno řezat jiné materiály. Vibrace a zpětný raz se pro různé materiály liší. Pilu nepoužívejte jako páku ke zvedání, přemísťování nebo rozbíjení objektů. Je zakázáno k pile připevňovat součásti nebo přípravky jiné než uvedené v technické dokumentaci.
- ✿ Pilu není nutné do řezu tlačit. Když motor běží na plný plyn, pilu přitlačujte jen zlehka.
- ✿ Dojde-li k zachycení řetězu v řezu, nezkoušejte jej uvolnit tahem, ale řez roztáhněte klínem nebo pákou.

### Bezpečnostní brzda (ochrana proti zpětnému rázu)

- ✿ Tato pila je vybavena brzdou řetězu, která, pokud pracuje správně, v případě zpětného rázu ihned řetěz zastaví. Činnost brzdy řetězu je nutno zkontrolovat před každým použitím pily. Pilu spusťte na plný plyn po dobu 1–2 sekund a poté sklopte přední ochranný kryt. Řetěz se musí ihned zastavit i při plných otáčkách motoru. Pokud se řetěz zastavuje pomalu nebo nezastaví vůbec, kontaktujte autorizované servisní středisko.
- ✿ Je mimořádně důležité před každým použitím zkontrolovat funkčnost brzdy řetězu a stav nabroušení řetězu, aby byla zachována potřebná úroveň bezpečnosti pily při zpětném rázu. Odstraněním bezpečnostního příslušenství, při nesprávné údržbě či při použití nevhodné lišty nebo řetězu může v případě zpětného rázu dojít k těžkým úrazům.

## Kácení stromu

- ☼ Rozhodněte o směru pádu stromu s přihlédnutím ke směru větru, náklonu stromu a poloze větví a zvažte také všechny ostatní faktory, před započatím práce.
- ☼ Plocha okolo stromu musí být volná, bez překážek, musí umožňovat stabilní postoj. Úniková cesta musí být průchozí.
- ☼ Do třetiny průměru kmenu proveďte klínový zářez z té strany, na kterou má strom spadnout. (viz Obr. Kácení, bod 1)
- ☼ Z opačné strany proveďte oddělovací řez v úrovni nad klínovým zářezem. (viz obrázek Kácení, bod 2)
- ☼ Pád stromu bude probíhat směrem ke klínovému zářezu. (viz obrázek Kácení, bod 3)



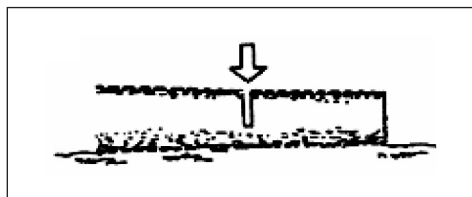
- ⚠ POZOR!** Při kácení stromů upozorněte ostatní osoby v okolí na potenciálně hrozičí nebezpečí. Kácení stromů vyžaduje praxi a bez náležitých zkušeností ho nedoporučujeme provádět.

## Řezání polen

- ⚠ POZOR!** Vždy udržujte stabilní postoj. Nestoupejte na polena.
- ⚠ POZOR!** Před započatím práce se ujistěte, že jsou všechny komponenty na svém místě a všechny šrouby a matky jsou dotažené.
- ☼ Řezané poleno se může odvalovat. Zejména při řezání ve svahu stůjte vždy nad řezaným polenem.
  - ☼ Předcházejte zpětnému rázu pily postupováním v souladu s instrukcemi uvedenými v kapitole „Bezpečnostní pokyny“.
  - ☼ Před zahájením práce zkontrolujte směr síly způsobující ohýbání řezaného kmene. Závěrečný řez vždy provádějte z opačné strany, než působí ohýbající síla, aby nedošlo k sevření lišty v řezu.
  - ☼ Pilu pronášejte pouze za předpokladu, že je motor vypnutý, a lišta chráněna ochranným krytem.

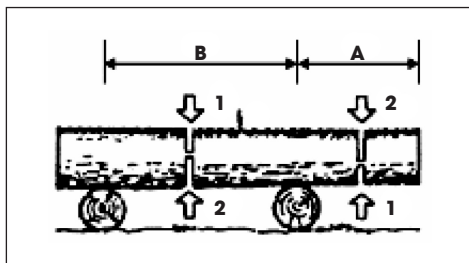
### Poleno ležící na zemi

- ☼ Přeřízněte do poloviny, poté otočte a dořízněte z opačné strany.



### Poleno nad zemí

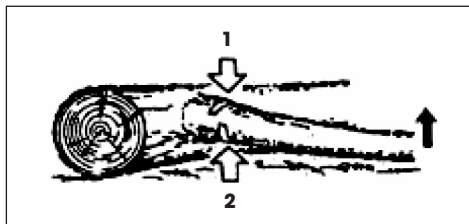
- ✿ V části „A“ proveďte řez zdola do třetiny polena a poté řez dokončete shora. V části „B“ proveďte řez shora do třetiny a poté řez dokončete zdola.



### Odvětvování padlého stromu

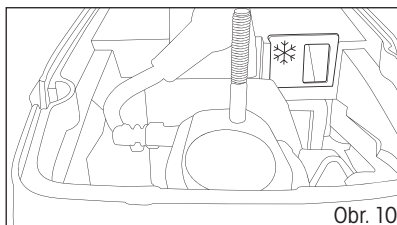
- ✿ Nejdříve zjistěte, na kterou stranu je větev ohnuta. Poté proveďte počáteční řez ze strany ohybu a poté dokončete řez z opačné strany.

⚠ **POZOR!** Ohnutá větev se může vymrštit.



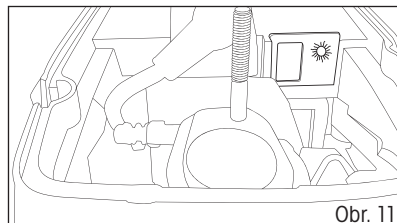
### Při teplotách pod 0°

- ✿ Nastavte klapku, která se nachází za vzduchovým filtrem do zimní polohy, viz obr. 10. Symbol zimní polohy „Sněhová vločka“ musí být viditelný. Díky tomuto nastavení se spolu se studeným vzduchem nasává i teplý vzduch z okolí válce a uvnitř karburátoru se pak netvoří led.



Obr. 10

- ✿ **Při teplotách nad +10°C vraťte klapku do letní polohy, jinak by mohlo dojít k poruchám motoru z důvodu přehřátí. Symbol letní polohy „Slunce“ musí být viditelný, viz obr. 11.**



Obr. 11

## 11. ČIŠTĚNÍ A ÚDRŽBA NÁŘADÍ

⚠ **POZOR!** Před čištěním, kontrolou nebo opravou pily musí být motor vypnutý a studený a musí být vyjmuta žhavicí svíčka, aby nemohlo dojít k neplánovanému spuštění.

### Údržba po každém použití

- ✿ Demontujte lištu a celou pilu očistěte od usazených pilin pomocí štětce. K odstranění ulpávajících nečistot lze použít špachtli či šroubovák.

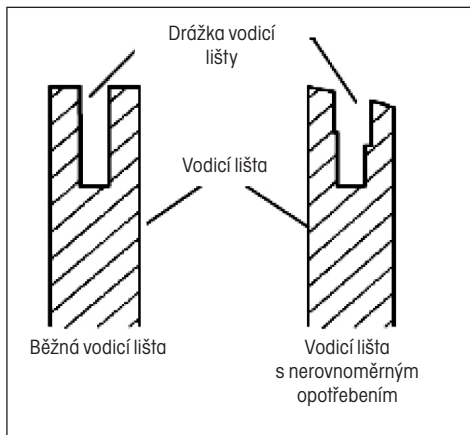
- ✿ **Vzduchový filtr:**  
Povolte šroub (Obr. 1, bod 11) a sejměte víko vzduchového filtru. Vyměňte vložku filtru a kartáčem odstraňte ulpělý prach. Je-li vložka filtru zanesena prachem, rozložte je na 2 části a properte je v benzínu. Pokud používáte stlačený vzduch, provádí se vyfoukání směrem zevnitř.
- ✿ **Mazací otvor:**  
Demontujte lištu a zkontrolujte průchodnost mazacího otvoru.
- ✿ **Vodící lišta:**  
Po demontáži lišty odstraňte prach z drážek a mazacího otvoru.
- ✿ **Ostatní části:**  
Zkontrolujte případné uniky oleje, uvolněné úchyty a poškození hlavních částí, zejména v místech uchycení rukojeti a lišty. Případně zjištěné závady musejí být před dalším použitím pily opraveny.

## Čištění tělesa řetězové pily

Udržujte těleso řetězové pily čisté. Při čištění použijte měkký hadřík namočený v mýdlovém roztoku. Tímto hadříkem pečlivě očistěte těleso řetězové pily.


## Údržba vodící lišty

- ✿ Nejvíce potíží s vodící lištou nastává v důsledku nerovnoměrného opotřebení.  
K nerovnoměrnému opotřebení dochází většinou z důvodu nesprávného nastavení omezovacího zubu. Při nerovnoměrném opotřebení lišty dochází k rozšiřování vodící drážky (viz Obrázek). Důsledkem je pak klapání řetězu a odpadávání nýtů. S pilou nelze provádět rovné řezy. V takovém případě vodící lištu vyměňte za novou.
- ✿ Před ostřením řetězu vždy zkontrolujte stav vodící lišty. Použití opotřebené nebo poškozené lišty je velmi nebezpečné. Použitím opotřebené nebo poškozené lišty dojde k poškození řetězu. Řezání s takovým nástrojem bude také výrazně obtížnější a namáhavější.



## Běžná údržba vodící lišty

- ✿ Demontujte vodící lištu z tělesa řetězové pily.
- ✿ Z drážky vodící lišty pravidelně odstraňujte piliny. Při čištění použijte špachtli nebo drát.
- ✿ Olejové drážky vyčistěte po skončení každého pracovního dne.
- ✿ Vodící lištu vyměňte, pokud:
  - je ohnutá nebo popraskaná
  - má těžce poškozenou nebo opotřebenou drážku

 **POZNÁMKA:** Při výměně vodící lišty postupujte dle pokynů uvedených v tomto návodu. Správný typ lišty najdete v přehledu technických údajů.

## 12. OSTŘENÍ PILOVÉHO ŘETĚZU

Pilový řetěz udržujte ostrý. Řezání bude výrazně rychlejší a především bezpečnější. Tupý řetěz zvyšuje opotřebení řetězky, vodící lišty, řetězu a pohonu. Pokud musíte na pilu tlačit a při řezání se tvoří pouze piliny s pár odřezky, znamená to, že je řetěz tupý.

**Za tímto účelem doporučujeme kontaktovat autorizovaný servis.**

### Vybavení nezbytné pro ostření pilového řetězu

- ✿ Kulatý pilník viz specifikace technických parametrů
- ✿ Omezovací zub
- ✿ Vodítko pilníku
- ✿ Svěrák
- ✿ Plochý pilník střední velikosti

### Ostření zubů řetězu

Použijte vodítko pro pilování pod úhlem 30° (značka A, viz obrázek).

- ✿ Seřídte napnutí pilového řetězu na správnou úroveň.
- ✿ Upevněte vodící lištu do svěráku, abyste měli řetěz ve stabilní poloze.

**POZNÁMKA:** Samotný řetěz neupevňujte.

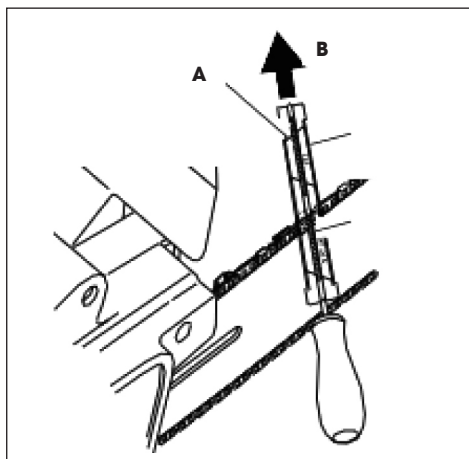
- ✿ Vtlačte kulatý pilník, vložený do vodítka, do drážky mezi horní plech a omezovací zub na řetězu. Řetěz by se měl dotýkat jak horního plechu, tak omezovacího zubu (viz obrázek).

**POZNÁMKA:** Pilujte ve středu vodící lišty.

**POZNÁMKA:** Na obrázku vidíte umístění vodítka pilníku a směr pilování zubů na levé straně řetězu.

- ✿ Umístěte vodítko pilníku do požadovaného úhlu (značka A, viz obrázek). Ověřte si, že je značka 30° na vodítku pilníku zarovnaná se středem vodící lišty. Jak se ujistíte, budete pilovat pod úhlem 30°.
- ✿ Pilujte zub směrem zevnitř ven (ve směru B, viz obrázek), dokud nebude ostrý. Pilujte pouze v tomto směru.

**POZNÁMKA:** K naostření zubu by měly postačit dva až tři tahy pilníkem.

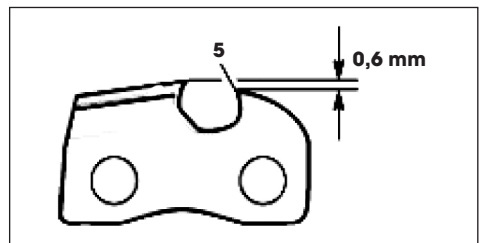
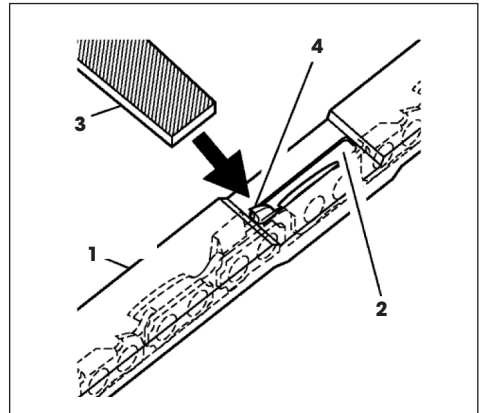


## Pilování omezovacího zubu

Důsledkem ostření zubů řetězu je snížení tolerance omezovacího zubu. Po každém druhém až třetím ostření je nezbytné upravit nastavení omezovacího zubu.

- ✿ Umístěte nástroj pro úpravu omezovacího zubu (viz obr., bod 1) pevně na horní hranu dvou zubů. Ujistěte se, že drážka nástroje zapadla do drážky omezovacího zubu (viz obr., bod 2.)
- ✿ Použijte plochý pilník střední velikosti (viz obr., bod 3). Zapilujte omezovací zub (viz obr., bod 4) do úrovně nástroje pro úpravu omezovacího zubu.
- ✿ Sejměte nástroj pro úpravu omezovacího zubu. Pomocí plochého pilníku zaoblete přední hranu omezovacího zubu (viz obrázek). Při broušení držte předepsané hodnoty (viz obr., bod 5).

**POZNÁMKA:** Po několika ručních ostřeních předejte pilový řetěz k naostření autorizovanému servisnímu středisku nebo jej naostřete speciálním ostřicím strojem. Tím obnovíte rovnoměrné naostření všech zubů.



# 13. VÝMĚNA PILOVÉHO ŘETĚZU

**⚠ POZOR!** Při výměně pilového řetězu neupínejte řetězovou pilu ani vodící lišty do svěráku.

Řetěz vyměňte vždy, pokud jsou zuby příliš opotřebené a nelze je naostřit nebo pokud řetěz praskne. Použijte pouze originální náhradní řetěz dle specifikace tohoto návodu k použití. Při výměně řetězu vždy vyměňte také ozubené kolo řetězky. Tím zajistíte správnou pozici řetězu při pohybu. (Poznámka: Specifikaci správného typu řetězu a ozubeného kola najdete v přehledu technických údajů.)

- \* Povolte a sejměte šroub vodící lišty.
- \* Sejměte kryt řetězky.
- \* Sejměte pilový řetěz.
- \* Otočte nový řetěz kolem ozubeného kola, poté podél horní drážky vodící lišty a kolem hrotu vodící lišty.

**⚠ POZOR!** Ujistěte se, že řezné zuby řetězu směřují správným směrem. Řetěz umístěte tak, aby zuby na horní straně lišty směřovaly k přední hraně lišty (viz obrázek).

- \* Před umístěním krytu řetězky do pozice si ověřte, že je regulační hrot napínání řetězu zasunutý do regulačního otvoru vodící lišty.
- \* Umístěte kryt řetězky zpět na těleso pily.
- \* Připevněte kryt řetězky šroubem vodící lišty.

**⚠ POZOR!** Šroub utahujte pouze rukou.

- \* Upravte napnutí pilového řetězu.
- \* Dotáhněte šroub vodící lišty.

**⚠ POZOR!** Ujistěte se, že jste neumístili pilový řetěz na vodící lišty v opačném směru. V opačném případě bude pila vykazovat nadměrné vibrace a nebude řezat.





# 14. TABULKA ÚDRŽBY

Uvědomte si prosím, že následující intervaly údržby platí pouze pro běžné pracovní podmínky. Je-li vaše denní práce náročnější než běžná, musí se intervaly údržby příslušně zkrátit.		Před každým použitím	Po každé přestávce pro doplnění paliva	Každý týden	Při poškození nebo závadě	Podle potřeby
Celý stroj	Zkontrolovat: úniky, trhliny a opotřebení	X	X			
Kontroly: spínač, startér, páčka plynu a páčka aretace plynu	Kontrola činnosti	X	X			
Brzda řetězu	Kontrola činnosti	X	X			
	Kontrola autorizovanou opravnou				X	
Palivová nádržka a olejová nádržka	Zkontrolovat: úniky, trhliny a opotřebení	X	X			
Palivový filtr	Kontrola a čištění			X		
	Výměna filtračního prvku				X	Každých 6 měsíců
Mazání řetězu	Kontrola výkonu	X	X			
Řetěz	Zkontrolovat: poškození, nabroušení a opotřebení	X	X			
	Kontrola napnutí	X	X			
	Naostření: zkontrolovat hloubku brusu				X	
Lišta	Zkontrolovat: poškození a opotřebení	X	X			
	Čištění drážek a vedení oleje	X				
	Otočení, namazání hnacího kola a zbavení otřepů			X		
	Vyměnit				X	
Řetězka	Zkontrolovat: poškození a opotřebení			X		Výměna s každým novým řetězem
Spojka	Zkontrolovat: poškození a opotřebení			X		
	Vyměnit				X	
Zachycovač řetězu	Zkontrolovat: poškození a opotřebení	X	X			
	Vyměnit				X	
Všechny přístupné šrouby a matice (mimo šroubů na karburátoru)	Zkontrolovat a dotáhnout			X		
Vzduchový filtr	Vyčistit	X				
	Vyměnit				X	Každých 6 měsíců
Žebra válce a šterbiny v krytu startéru	Vyčistit			X		
Startovací lanko	Zkontrolovat: poškození a opotřebení			X		
	Vyměnit				X	
Karburátor	Zkontrolovat minimální otáčky (řetěz se při minimálních otáčkách nesmí otáčet)	X	X			
Svíčka	Zkontrolovat vzdálenost elektrod			X		
	Vyměnit				X	Každých 6 měsíců
Antivibrační systém	Zkontrolovat: poškození a opotřebení			X		

# 15. ŘEŠENÍ PROBLÉMŮ

<p><b>POZOR:</b> jednotku vždy vypněte a odpojte zapalovací svíčku, než začnete provádět kontroly doporučené v tabulce, mimo případy, kdy se vyžaduje jednotka v činnosti.</p>		
<p>Když byly zkontrolovány všechny možné příčiny a problém nebyl vyřešen, spojte se s autorizovaným servisním střediskem. Když zjistíte problém, který nebyl uveden v tabulce, spojte se s autorizovaným servisním střediskem.</p>		
PROBLÉM	MOŽNÉ PŘÍČINY	ŘEŠENÍ
Motor nelze nastartovat nebo zhasne několik sekund po nastartování. (Ujistěte se, že prepínač je v poloze „I“)	<ol style="list-style-type: none"> <li>1. Svíčka nedává jiskru</li> <li>2. Motor je přehlcený</li> </ol>	<ol style="list-style-type: none"> <li>1. Zkontrolujte jiskru svíčky. Pokud svíčka nedává jiskru, opakujte test s novou svíčkou (WXL7T).</li> <li>2. Vyjměte svíčku a několikrát zatáhněte za startování. Poté očištěnou svíčku namontujte zpět a statujte bez sytiče.</li> </ol>
Motor se rozjede, ale řádně nezvyšuje otáčky nebo při vysokých otáčkách nepracuje správně.	Karburátor se musí seřídit.	Spojte se s autorizovaným servisním střediskem pro seřízení karburátoru
Motor nedosáhne plných otáček a/nebo příliš kouří.	<ol style="list-style-type: none"> <li>1. Zkontrolujte směs oleje s benzínem.</li> <li>2. Znečištěný vzduchový filtr.</li> <li>3. Karburátor se musí seřídit.</li> </ol>	<ol style="list-style-type: none"> <li>1. Použijte nový benzin a olej vhodný pro dvoutákní motory.</li> <li>2. Vyčistěte; viz pokyny v kapitole 11.</li> <li>3. Spojte se s autorizovaným servisním střediskem pro seřízení karburátoru.</li> </ol>
Motor nastartuje, funguje a zrychluje, ale nedrží si volnoběžné otáčky.	Karburátor se musí seřídit.	Spojte se s autorizovaným servisním střediskem pro seřízení karburátoru.
Lišta a řetěz se během činnosti zahřívají a kouří	<ol style="list-style-type: none"> <li>1. Prázdňá nádržka na olej pro řetěz</li> <li>2. Příliš napnutý řetěz</li> <li>3. Špatná činnost mazací soustavy</li> </ol>	<ol style="list-style-type: none"> <li>1. Nádržka na olej se musí naplnit pokaždé, když se plní palivová nádržka.</li> <li>2. Napnutí řetězu; viz pokyny v kapitole 5.</li> <li>3. Nechte jet na maximální otáčky 15-30 sekund. Zastavte a zkontrolujte, jestli olej odkapává ze špičky lišty. Pokud tam olej je, může být vadná činnost způsobena volným řetězem nebo poškozenou lištou. Pokud olej neodkapává, spojte se s autorizovaným servisním střediskem</li> </ol>
Motor se rozjede, ale řetěz se netočí. <b>POZOR:</b> když je motor v činnosti, nikdy se nedotýkejte řetězu	<ol style="list-style-type: none"> <li>1. Brzda řetězu zapnutá</li> <li>2. Příliš napnutý řetěz</li> <li>3. Montáž lišty a řetězu</li> <li>4. Poškozený řetěz a/nebo lišta</li> <li>5. Poškozená spojka a/nebo pastorek</li> </ol>	<ol style="list-style-type: none"> <li>1. Vypněte brzdu řetězu; viz kapitola 7.</li> <li>2. Napnutí řetězu; viz pokyny v kapitole 9.</li> <li>3. Viz pokyny v kapitole 5.</li> <li>4. Viz pokyny v kapitole 11. a 13.</li> <li>5. V případě potřeby vyměňte; spojte se s autorizovaným servisním střediskem</li> </ol>

## 16. TECHNICKÉ PARAMETRY

Typ.....	FZP 5016 B
Motor.....	50,4 cm <sup>3</sup>
Maximální výkon motoru.....	2,0 kW / 11 500 rpm
Maximální rychlost motoru s řezacím nástrojem.....	11 500 rpm
Maximální rychlost motoru při volnoběhu.....	3 000 rpm
Délka lišty.....	405 mm
Řezná délka.....	345 mm
Dělení řetězu.....	0,375 inch
Šířka vodící drážky.....	1,5 mm
Počet vodících článků řetězu.....	57
Průměr pilníku.....	4 mm
Hmotnost (bez lišty a řetězu).....	5,75 kg
Rozměry (včetně lišty a řetězu).....	790 x 235 x 245 mm
Palivová směs (benzín : olej).....	40:1
Kapacita palivové nádrže.....	540 ml
Kapacita olejové nádrže.....	240 ml
Olej pro mazání řetězu.....	olej pro ztrátové mazání
Systém mazání řetězu.....	automatická pumpa s možností nastavení
Hladina akustického tlaku.....	LpA: 115dB(A)
Garantovaná hladina akustického výkonu.....	LwA: 108dB(A)
Vibrace* – přední madlo.....	7,212 m/s <sup>2</sup>
Vibrace* – zadní madlo.....	6,530 m/s <sup>2</sup>

Rok výroby: 2016

\* Pokud zjistíte, že se vibrace, přenášené do rukojetí, znatelně zhoršily v porovnání se stavem, když byla pila nová, zkontrolujte opotřebené silenbloky (pogumované upevňovací prvky) a v případě potřeby kontaktujte autorizované servisní středisko pro jejich výměnu.

**⚠ POZOR!** Práce s řetězovou pilou s nesprávně fungujícím systémem tlumení vibrací může mít za následek zdravotní problémy

# 17. LIKVIDACE

## **POKYNY A INFORMACE O NAKLÁDÁNÍ S POUŽITÝM OBALEM**

Použitý obalový materiál odložte na místo určené obcí k ukládání odpadu.



Stroj a jeho příslušenství jsou vyrobeny z různých materiálů, např. z kovu a plastů. Poškozené součástky odevzdejte do tříděného sběru. Informujte se u příslušného úřadu.



Tento výrobek splňuje veškeré základní požadavky směrnic EU, které se na něj vztahují.

Změny v textu, designu a technických specifikacích se mohou měnit bez předchozího upozornění a vyhrazuje si právo na jejich změnu.

Návod k použití v originálním jazyce.

# 18. PROHLÁŠENÍ O SHODĚ

## ES Prohlášení o shodě

Fast ČR, a. s., Černokostelecká 251 01 Říčany u Prahy, telefon: 323204111, prohlašuje se závazným účinkem, že benzínová řetězová pila Fieldmann FZP 5016-B (rok výroby je uveden na typovém štítku, po němž následuje výrobní číslo stroje) splňuje následující požadavky SMĚRNICE RADY

ES Směrnice pro strojní zařízení (MD) 2006/42/ES (98/37/EDC)

ES Směrnice pro elektromagnetickou kompatibilitu (EMC)

ES Směrnice o hluku zařízení (ND) 2005/88/ES (2000/14/ES)

ES Emise plyných látek 2002/88/ES

a byla testována podle následujících norem:

EN ISO 11681-1:2011

EN ISO 14982:1998; EN ISO 14982:2009

EN ISO 3744:2010

ISO 9207:1995

Technické údaje:

50,4 cm<sup>3</sup>, 2,0 kW

Označení CE: 15

Říčany, 29. listopadu 2015

jméno razítko podpis

Petr Uher

Manažer kvality

**FAST** FAST ČR, a.s. ©  
Černokostelecká 1821  
251 01 Říčany u Prahy  
ICO: 26726548 tel.: +420/ 323 204 111  
DIC: CZ26726548 fax: +420/ 323 204 110





# Reťazová píla

## NÁVOD NA OBSLUHU

**Ďakujeme vám, že ste si kúpili túto reťazovú pílu. Skôr ako ju začnete používať, prečítajte si, prosím, pozorne tento návod na obsluhu a uschovajte ho pre prípad ďalšieho použitia.**

## OBSAH

1. VŠEOBECNÉ BEZPEČNOSTNÉ PREDPISY .....	57
Dôležité bezpečnostné upozornenia .....	57
Obal .....	57
Návod na použitie .....	57
2. VYSVETLENIE ŠTÍTKOV S POKYNNI NA STROJI.....	58
3. BEZPEČNOSTNÉ POKYNY .....	58
Pred použitím stroja.....	58
Bezpečnosť obsluhy, pracovné vybavenie a odev.....	58
Pokyny pri manipulácii s palivom .....	61
4. POPIS STROJA A OBSAH DODÁVKY .....	62
Popis stroja (pozrite Obr. 1).....	62
5. INŠTALÁCIA OPORNÝCH ZUBOV, VODIACEJ LIŠTY A REŤAZE .....	63
Inštalácia oporných zubov.....	63
Inštalácia vodiacej lišty a reťaze .....	63
6. PALIVO A OLEJ NA MAZANIE REŤAZE .....	64
Naplnenie nádržky olejom .....	64
Príprava palivovej zmesi .....	64
Skladovanie paliva .....	65
7. PRÍPRAVA NA POUŽITIE .....	65
Brzda reťaze (Obr. 1, bod 9).....	66
Kontrola funkcie brzdy.....	66
8. SPUSTENIE A VYPNUTIE PÍLY .....	66
Štartovanie studeného motora .....	66
Štartovanie zahriateho motora.....	67
Regulácia otáčok .....	67
Zastavenie motora .....	67
Kontrola mazania reťaze.....	67
9. NASTAVENIE NAPNUTIA REŤAZE.....	68
10. REZANIE .....	68
Bezpečnostná brzda (ochrana proti spätnému rázu) .....	68
Stínanie stromu .....	69
Rezanie polien.....	69
Poleno ležiace na zemi.....	69
Poleno nad zemou.....	70
Odvetvovanie padnutého stromu.....	70

11. ČISTENIE A ÚDRŽBA NÁRADIA .....	70
Údržba po každom použití.....	70
Čistenie telesa reťazovej píly.....	71
Údržba vodiacej lišty.....	71
Bežná údržba vodiacej lišty .....	71
12. OSTRENIE PÍLOVEJ REŤAZE.....	72
Vybavenie nevyhnutné na ostrenie pílovej reťaze.....	72
Ostrenie zubov reťaze.....	72
Pílovanie obmedzovacieho zuba .....	73
13. VÝMENA PÍLOVEJ REŤAZE .....	71
14. TABUĽKA ÚDRŽBY .....	75
15. RIEŠENIE PROBLÉMOV .....	76
16. TECHNICKÉ PARAMETRE .....	77
17. LIKVIDÁCIA.....	78
18. VYHLÁSENIE O ZHODE .....	79



# 1. VŠEOBECNÉ BEZPEČNOSTNÉ PREDPISY

## Dôležité bezpečnostné upozornenia

- ✿ Výrobok starostlivo vybalte a dajte pozor, aby ste nevyhodili žiadnu časť obalového materiálu, skôr ako nájdete všetky súčasti výrobku.
- ✿ Výrobok uchovávajte na suchom mieste mimo dosahu deťí.
- ✿ Čítajte všetky upozornenia a pokyny. Zanedbanie pri dodržiavaní varovných upozornení a pokynov môže mať za následok úraz elektrickým prúdom, požiar a/alebo ťažké poranenia.

## Obal

Výrobok je umiestnený v obale brániacom poškodeniu pri transporte. Tento obal je surovinou a je možné ho preto odovzdať na recykláciu.

## Návod na použitie

Skôr ako začnete so strojom pracovať, prečítajte si nasledujúce bezpečnostné predpisy a pokyny na používanie. Oboznámte sa s obslužnými prvkami a správnym používaním zariadenia. Návod dôkladne uschovajte pre prípad neskoršej potreby. Minimálne počas záruky odporúčame uschovať originálny obal vrátane vnútorného baliaceho materiálu, pokladničný doklad a záručný list.

V prípade prepravy zabaľte stroj späť do originálnej škatule od výrobcu, zaistíte si tak maximálnu ochranu výrobku pri prípadnom transporte (napr. sťahovanie alebo odoslanie do servisného strediska).

 **POZNÁMKA:** Ak odovzdávate stroj ďalším osobám, odovzdajte ho spoločne s návodom.

Dodržiavanie priloženého návodu na obsluhu je predpokladom riadneho používania stroja. Návod na obsluhu obsahuje tiež pokyny na obsluhu, údržbu a opravy.

**Výrobca nepreberá zodpovednosť za nehody alebo škody vzniknuté následkom nedodržiavania tohto návodu.**

## 2. VYSVETLENIE ŠTÍTKOV S POKYNMI NA STROJI



Pred použitím stroja si pozorne prečítajte návod na obsluhu.



Pri obsluhu stroja noste ochranné pomôcky ako ochranné okuliare, slúchadlá a pod.



Pri obsluhu reťazovej píly používajte vždy obe ruky.



Pri práci používajte ochranné rukavice.



Používajte pevnú izolačnú pracovnú obuv.



Pozor! Nebezpečenstvo spätného rázu



Varovanie! Pozor!

## 3. BEZPEČNOSTNÉ POKYNY

- ⚠ POZOR!** Bezpečnostné pokyny uvedené v tomto návode na obsluhu označené symbolom obsahujú kritické body, na ktoré je potrebné dávať pozor pri obsluhu stroja, aby nedošlo k vážnym či smrteľným poraneniam. Prečítajte si, prosím, dôkladne bezpečnostné inštrukcie a dodržujte ich.
- ⚠ POZOR!** Tento symbol označuje pokyny, ktoré sa musia dodržiavať, aby nedošlo k nehodám, ktoré môžu mať za následok vážne či smrteľné zranenie.
- 📖 POZNÁMKA:** Tento symbol označuje pomocníka alebo pokyny užitočné pri obsluhu prístroja.

### Pred použitím stroja

- ☼ Pred použitím stroja si pozorne prečítajte návod na obsluhu.
- ☼ Prístroj nepoužívajte, ak ste pod vplyvom alkoholu alebo omamných látok, ak ste unavení alebo vyčerpaní. Prístroj nepoužívajte v prípade používania liekov, ktoré by mohli ovplyvniť a obmedziť vaše rozhodovacie schopnosti pri bezpečnej obsluhu stroja.
- ☼ Nepoužívajte stroj vo vnútorných priestoroch, uvoľnené plyny obsahujú škodlivý oxid uhoľnatý.
- ☼ Nikdy nepoužívajte prístroj za podmienok uvedených nižšie:
  - Ak je pracovná plocha klzká alebo v prípade, že klimatické podmienky vám nedovoľujú pri obsluhu stroja udržať stabilný postoj.
  - Ak je tma, silná hmla, alebo za zlých klimatických podmienok, ktoré obmedzujú viditeľnosť pracovnej plochy.
  - Za dažďa, búrky, silného vetra alebo za iných podmienok, ktoré môžu byť nebezpečné pri používaní stroja.
- ☼ Ak pílu používate prvýkrát, pred začiatkom prác sa, prosím, poraďte so skúseným pracovníkom.
- ☼ V dôsledku únavy alebo fyzického vyčerpania môže dôjsť k nepozornosti, ktorá môže mať za následok vážne poranenie
- ☼ Obmedzte čas obsluhy stroja na cca 10 minút v prípade jedného použitia a snažte sa medzi jednotlivými prácami zhruba 10 – 20 minút odpočívať. Obmedzte celkové množstvo prác počas jedného dňa na zhruba 2 hodiny.
- ☼ Uistite sa, či máte návod na obsluhu pri sebe, ak by ste ho potrebovali použiť.
- ☼ Ak prístroj predávate, požičiavate alebo odovzdávate, uistite sa, či ho odovzdávate spolu s návodom na obsluhu.
- ☼ Nikdy nedovoľte deťom, alebo iným osobám, ktoré nie sú dostatočne oboznámené s návodom na obsluhu, aby používali tento prístroj.

### Bezpečnosť obsluhy, pracovné vybavenie a odev

- ☼ Pri obsluhu reťazovej píly by ste mali nosiť nasledujúce pracovné oblečenie a ochranné pomôcky:
  - Helmu
  - Ochranné okuliare alebo ochranný štít na tvár
  - Pracovné rukavice
  - Protišmykové pracovné topánky
  - Ochranné slúchadlá

- ✿ A ďalej by ste so sebou mali mať
  - Náradie priložené v balení
  - Dostatočnú rezervu paliva a oleja na mazanie reťaze
  - Pomôcky, ktorými vyznačíte pracovnú oblasť (lano, varovné značky)
  - Píšťalku (na privolanie pomoci)
  - Pílku alebo sekeru (na prípadné odstránenie prekážok)
- ✿ Pri práci nikdy nepoužívajte voľný odev, šperky, ktoré by sa mohli zachytiť pílou. Pri práci nepoužívajte sandále alebo nepracujte naboso.
- ✿ Skontrolujte pracovnú plochu, predmet rezania a smer rezania. Odstráňte prekážky.
- ✿ Nikdy nezačínajte prácu, ak nie je pracovná plocha čistá, nemáte zaistený stabilný postoj a nemáte naplánovanú únikovú cestu pred padajúcim stromom.
- ✿ Dbajte na zvýšenú opatrnosť a udržujte okoloidúcich a domáce zvieratá mimo pracovného priestoru a to vo vzdialenosti minimálne 2,5-násobku dĺžky rezaného objektu.
- ✿ Skontrolujte poškodené, opotrebené alebo chýbajúce súčasti stroja. Nikdy stroj nepoužívajte, ak je poškodený, nesprávne nastavený alebo je nekompletný. Uistite sa, či sa reťaz prestane točiť, ak je páčka plynu uvoľnená.
- ✿ Udržujte rukoväti suché, čisté a bez škvŕn od oleja alebo paliva.
- ✿ Nedotýkajte sa tlmiča, zapalovacej sviečky alebo iných kovových častí motora, ak je stroj zapnutý alebo tesne po jeho vypnutí – hrozí riziko popálenia alebo úrazu elektrickým prúdom.
- ✿ Venujte mimoriadnu pozornosť rezaniu tenkých vetiev a kmeňkov, pretože krehký materiál sa môže zachytiť reťazou, vymrštiť proti obsluhu a môže tak spôsobiť stratu rovnováhy.
- ✿ Pri rezaní napnutých vetiev pamätajte na možnosť ich vymrštenia po uvoľnení napätia prerezaním vlákien dreva.
- ✿ Skontrolujte a odstráňte suché vetvy, ktoré by sa mohli uvoľniť z padajúceho stromu.
- ✿ Ak prístroj odkladáte, uistite sa, či je vypnutý.

**⚠ POZOR na spätný ráz!** K spätnému rázu môže dôjsť, keď sa predná časť lišty dostane do kontaktu s objektom alebo keď rezaný materiál zovrie reťaz v reze. Pri kontakte s objektom môže dôjsť k vymršteniu píly so súčasným pohybom lišty nahor a vzad smerom k obsluhu. Zovretie reťaze v reze môže viesť k rýchlemu spätnému pohybu lišty smerom k obsluhu. Obe tieto reakcie môžu viesť k strate kontroly nad pílou s následnými ťažkými úrazmi. Nespoliehajte iba na bezpečnostné zariadenia píly. Ako používateľ píly musíte neustále dodržiavať niekoľko pravidiel na predchádzanie úrazom alebo škodám.

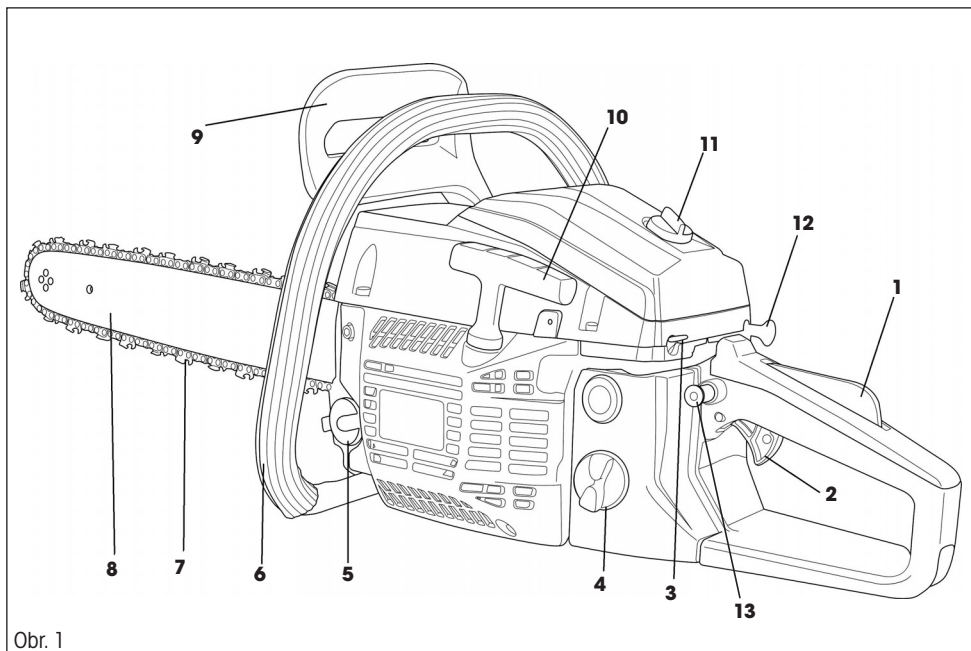
- ✿ Ak ste oboznámení s princípom spätného rázu, môžete znížiť alebo vylúčiť moment prevrpenia. Nečakané reakcie vedú k nehodám.
- ✿ Ak je motor v chode, pílu pevne uchopíte oboma rukami, pravú ruku na zadnej rukoväti a ľavú ruku na prednej. Rukoväti píly pevne obomknite palcom smerujúcim proti ostatným prstom. Pevné uchopenie pomôže obmedziť spätný ráz a udržať pílu pod kontrolou.
- ✿ Na pracovisku nesmú byť žiadne prekážky. Voľný koniec lišty nesmie pri práci s pílou zavadiť o vetvu, kmeň alebo inú prekážku.
- ✿ Režte pri vysokých otáčkach motora.
- ✿ Pri rezaní nesmie dôjsť k strate stabilného postoja, režte najviac do výšky ramien.
- ✿ Dodržujte pokyny výrobcu na mazanie a ostrenie reťaze.
- ✿ Používajte iba náhradné reťaze a lišty uvedené výrobcu alebo ich ekvivalenty.

## Pokyny pri manipulácii s palivom

Motor stroja je navrhnutý tak, že využíva zmes paliva, ktorá je vysoko horľavá. Nikdy neskladujte nádoby s palivom alebo nedoplňujte palivo v blízkosti otvoreného ohňa, kachiel, elektrických rozvodov, zváracích prác alebo iného zdroja tepla alebo ohňa, ktoré by mohlo viesť k vznieteniu.

- ✿ Pri obsluhu stroja alebo pri doplňovaní paliva je zakázané fajčiť.
- ✿ V prípade doplňovania paliva sa uistite, či je stroj vypnutý a či sa v jeho blízkosti nevyskytuje žiadny zdroj otvoreného ohňa.
- ✿ Ak dôjde k postriekaniu prístroja palivom, použite suchú handričku a škrvny vysušte.
- ✿ Po doplnení paliva zaskrutkujte uzáver palivovej nádrže a odnesite prístroj do vzdialenosti minimálne 3 m od miesta, kde bolo palivo doplnené a potom stroj naštartujte.

## 4. POPIS STROJA A OBSAH DODÁVKY



### Popis stroja (pozrite Obr. 1)

- |                               |                                      |
|-------------------------------|--------------------------------------|
| 1. Bezpečnostná poisťka plynu | 7. Refaz                             |
| 2. Ovládanie plynu            | 8. Vodiaca lišta                     |
| 3. Hlavný vypínač             | 9. Bezpečnostná brzda                |
| 4. Zátka palivovej nádrže     | 10. Držadlo štartovania              |
| 5. Zátka olejovej nádrže      | 11. Skrutka krytu vzduchového filtra |
| 6. Predné držadlo             | 12. Ovládanie sýtiča                 |
|                               | 13. Aretácia plynu                   |

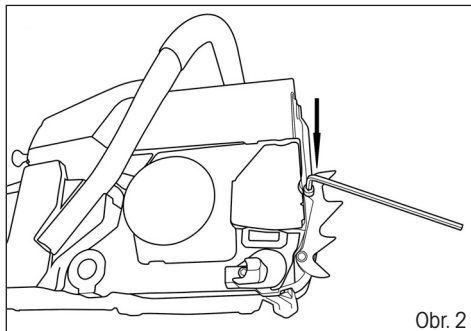
Obsah balenia: Benzínová píla, lišta Oregon 405 mm, refaz Oregon, plastový kryt lišty, kalibovaná nádoba na prípravu palivovej zmesi, súprava náradia s pilníkom.

## 5. INŠTALÁCIA OPORNÝCH ZUBOV, VODIACEJ LIŠTY A REŤAZE

**⚠ POZOR!** Pri inštalácii a pri vykonávaní kontrol reťaze používajte vždy ochranné rukavice, aby ste zabránili zraneniam spôsobeným ostrými ostriami reťaze.

### Inštalácia oporných zubov

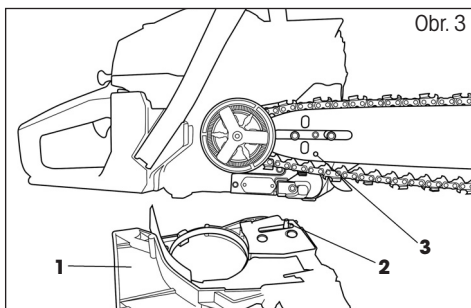
✿ Pomocou priloženého šesťhranného kľúča a skrutiek prípevnite oporné zuby, pozrite obrázok (Obr. 2).



Obr. 2

### Inštalácia vodiacej lišty a reťaze

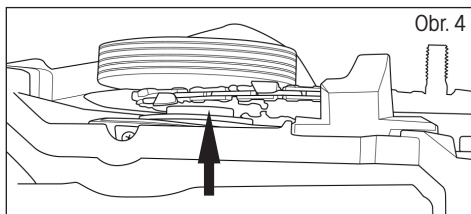
✿ Páka bezpečnostnej brzdy (Obr. 1, bod 9) musí byť odistená (pritiahnite smerom k hornému držadlu)  
 ✿ Povoľte dve matice a odoberte kryt reťazového kolesa (Obr. 3, bod 1).  
 ✿ Reťaz nasadíte na lištu a potom navlečte na reťazové koleso (pastorok). Súčasne pridržavajte reťaz na lište



Obr. 3

**⚠ POZOR!** Čap dopínania reťaze (Obr. 3, bod 2) musí zapadnúť do otvoru v lište (Obr. 3, bod 3). Polohu tohto čapu je možné nastaviť skrutkou na dopínanie reťaze (Obr. 5)

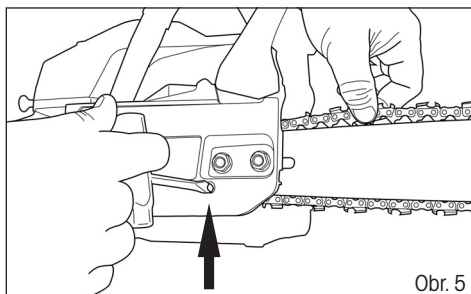
**⚠ POZOR!** Dbajte na to, aby bola reťaz vždy správne usadená v prstenci reťazového kolesa (Obr. 4). V prípade, že tomu tak nie je, môže dôjsť k poškodeniu píly.



Obr. 4

✿ Nasadíte späť kryt reťazového kolesa. Skrutky celkom neufahujú, dotiahnite ich iba rukou, aby bolo možné dopnúť reťaz.

✿ Reťaz dopnite upínacou skrutkou (Obr. 5) a následne dotiahnite matice krytu reťazového kolesa priloženým rúrkovým kľúčom



Obr. 5

**⚠ POZOR!** Napnutie reťaze je správne, ak môžete reťaz zdvihnúť z vodiacej lišty a ak je jeho výška v horizontálnej polohe uprostred vodiacej lišty 3 až 4 mm.

## 6. PALIVO A OLEJ NA MAZANIE REŤAZE

### Naplnenie nádržky olejom

- ⚠ **POZOR!** Nová reťaz vyžaduje určitý čas zábehu, ktorý trvá zhruba 5 minút. V tejto fáze je veľmi dôležité mazanie reťaze. Po tomto čase zábehu skontrolujte napnutie reťaze a ak je to nutné, vykonajte jej ďalšie nastavenie.
- ✿ Nádržka na olej pri dodanej pile je prázdna. Pred prvým použitím píly naplňte túto nádržku olejom.
- ✿ Používajte iba olej určený na stratové mazanie
- ✿ Odskrutkujte viečko plniaceho otvoru (Obr. 6, bod 1).
- ✿ Nalejte do nádržky olej (dávajte pozor, aby ste zabránili znečisteniu oleja počas plnenia nádržky).
- ✿ Zaskrutkujte viečko plniaceho otvoru.
- ✿ Pred použitím píly by nádržka na olej nemala byť nikdy celkom prázdna, hrozilo by poškodenie lišty a reťaze.
- ✿ Kontrolu stavu hladiny oleja je možné vykonať opticky po odskrutkovaní viečka.
- ⚠ **POZOR!** Nepoužívajte olej, ktorý sa už použil alebo spracoval, pretože by mohlo dôjsť k poškodeniu olejového čerpadla.

### Príprava palivovej zmesi

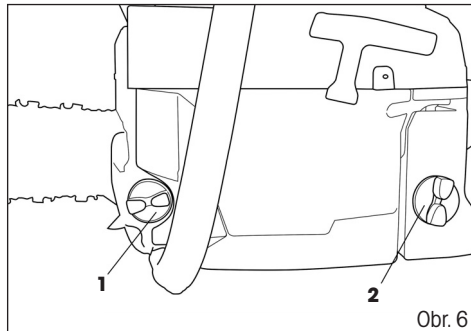
- ⚠ **POZOR!** Nikdy nedoplňujte palivo do palivovej nádrže na uzatvorenom a nevetranom mieste.
- ⚠ **POZOR!** Nedoplňujte palivo v blízkosti otvoreného plameňa alebo zdroja iskrenia.
- ⚠ **POZOR!** Nádrž neprelejte. Pred naštartovaním motora zaistite, aby boli zotreté všetky zvyšky rozliateho paliva.
- ⚠ **POZOR!** Ak je motor horúci, **NEDOPLŇUJTE PALIVO**.
- ✿ Pre tento typ dvojtaktného motora sa používa mix bezolovnatého benzínu s olejom pre dvojtaktné motory. Prvé dve hodiny prevádzky použite pomer 25:1, po dvoch hodinách prevádzky 40:1.
- ⚠ **POZOR!** Palivová zmes namiešaná v inom pomere môže spôsobiť poškodenie motora. Uistite sa, či je táto zmes namiešaná správne.
- ✿ Pri miešaní benzínu s motorovým olejom pre dvojtaktné motory používajte iba benzín, ktorý neobsahuje ŽIADNY ETANOL alebo METANOL (typy alkoholu).
- ✿ Používajte kvalitný benzín s oktánovým číslom 95 alebo vyšším. Takto pomôžete zabrániť možnému poškodeniu palivového systému a iných častí motora.
- ✿ Na namiešanie palivovej zmesi odporúčame použiť kalibrovanú nádobu priloženú v balení píly. **NEMIEŠAJTE BENZÍN A OLEJ PRIAMO V PALIVOVEJ NÁDRŽI.**
- ✿ Odskrutkujte zátku palivovej nádrže (Obr. 6, bod 2) a nalejte palivo. Potom naskrutkujte zátku späť.



## Skladovanie paliva

Skladujte palivo iba v čistom, bezpečnom a schválenom kanistri. Naštudujte si a dodržujte miestne predpisy týkajúce sa typu a umiestnenia kanistrov s palivom.

- ⚠ **POZOR!** Palivo pre dvojtaktné motory sa môže separovať. Pred každým použitím každý kanister s palivom riadne pretrepte.
- ⚠ **POZOR!** Skladované palivo starne. Nemiešajte si viac paliva, než predpokladáte, že spotrebujete do jedného mesiaca.



## 7. PRÍPRAVA NA POUŽITIE

- ⚠ **DÔLEŽITÉ:** Dbajte na pokyny na prípravu palivovej zmesi! Nedodržanie pokynov môže viesť k poškodeniu motora! Nepoužívajte palivo, ktoré sa skladovalo dlhšie než dva mesiace. Palivová zmes skladovaná dlhšie než dva mesiace spôsobí problémy pri štartovaní a nižší výkon motora. Ak sa bude palivová zmes skladovať dlhšie než dva mesiace, mala by sa odstrániť a musí sa použiť nové palivo.
- ⚠ **POZOR!** Používanie benzínovej reťazovej píly sa môže regulovať miestnymi predpismi.
  - ✿ Skontrolujte poškodené, opotrebené alebo chýbajúce súčasti stroja. Nikdy stroj nepoužívajte, ak je poškodený, nesprávne nastavený alebo je nekompletný.
  - ✿ Skontrolujte, či nedošlo k uvoľneniu skrutiek, matíc a montážnych prvkov. Uvoľnené skrutky dotiahnite.
  - ✿ Skontrolujte, či nie je znečistený vzduchový filter. Pred začatím práce odstráňte zo vzduchového filtra všetky nečistoty.
  - ✿ Skontrolujte dopnutie reťaze. Správne dopnutú reťaz môžete zdvihnúť uprostred vodiacej lišty v horizontálnej polohe 3 až 4 mm.
  - ✿ Udržujte rukoväť suché, čisté a bez škvŕn od oleja alebo paliva.
  - ✿ Uistite sa, či nedochádza k únikom z palivovej nádrže.
  - ✿ Skontrolujte pracovnú plochu, predmet rezania a smer rezania. Odstráňte prekážky.
  - ✿ Nikdy nezačínajte prácu, ak nie je pracovná plocha čistá, nemáte stabilný postoj a nemáte naplánovanú únikovú cestu pred padajúcim stromom.
  - ✿ Dbajte na zvýšenú opatnosť a udržujte okoloidúcich a domáce zvieratá mimo pracovného priestoru, a to vo vzdialenosti minimálne 2,5-násobku dĺžky rezaného objektu.
- ⚠ **UPOZORNENIE:** Odporúčaná kombinácia lišty a reťaze vyplýva z technických parametrov uvedených v kapitole 14. Pílu nepoužívajte s dlhšou lištou než 18" (45 cm). Použitie dlhšej lišty môže spôsobiť výrazný pokles výkonu.

**Brzda reťaze (Obr. 1, bod 9)**

Táto píla je vybavená automatickou brzdou, ktorá zastaví rotáciu reťaze v prípade, že počas prevádzky dôjde k spätnému nárazu. Brzda sa spúšťa automaticky pôsobením zotrvačnej sily na závažie umiestnené pod predným krytom. Túto brzdou je možné takisto obsluhovať ručne sklopením predného ochranného rámu dole smerom k lište. Brzda sa opäť uvoľní pritiahnutím predného ochranného rámu späť k držadlu píly.

**POZOR!** Pred každým použitím overte nasledujúcim spôsobom, že je brzda reťaze funkčná.

**Kontrola funkcie brzdy**

- \* Položte pílu v chode na zem a na 1 až 2 sekundy ju nechajte v chode v maximálnych otáčkach.
- \* Zatlačte páku brzdy (Obr. 1, bod 9) dopredu. Reťaz by sa mala ihneď zastaviť.

**POZOR!** Ak sa zastavuje reťaz pomaly alebo ak sa nezastaví vôbec, pílu nepoužívajte a kontaktujte autorizované servisné stredisko.

- \* Ak chcete brzdou uvoľniť, pritiahnite páku brzdy smerom k hornej rukoväti tak, aby ste počuli typické cvaknutie.

**POZOR!** Uistite sa, či je funkcia brzdy reťaze v poriadku. Správne fungujúca brzda reťaze vás ochráni proti prípadnému úrazu, ktorý môže spôsobiť spätný ráz.

V prípade, keď brzda nepracuje správne, zverte jej nastavenie alebo opravu autorizovanému servisu.

## 8. SPUSTENIE A VYPNUTIE PÍLY

**VAROVANIE**

- \* Pred naštartovaním motora sa uistite, či sa reťaz voľne pohybuje po lište a nedotýka sa žiadneho cudzieho predmetu.
- \* Pri minimálnych otáčkach motora sa reťaz píly nesmie otáčať. V opačnom prípade kontaktujte autorizované servisné stredisko, aby vykonalo kontrolu a problém odstránilo.
- \* Pred naštartovaním motora sa uistite, či sa páčka plynu pohybuje voľne.

**UPOZORNENIE:** Vystavenie vibráciám môže spôsobiť poškodenie zdravia osôb, ktoré trpia problémami obehového systému alebo nervovými problémami. Ak sa prejavia fyzické symptómy ako znecitlivenie, zníženie citlivosti, zníženie normálnej sily alebo zmeny zafarbenia pokožky, obráťte sa na lekára. Tieto symptómy sa obvykle prejavia na prstoch, rukách alebo zápästí.

**Štartovanie studeného motora**

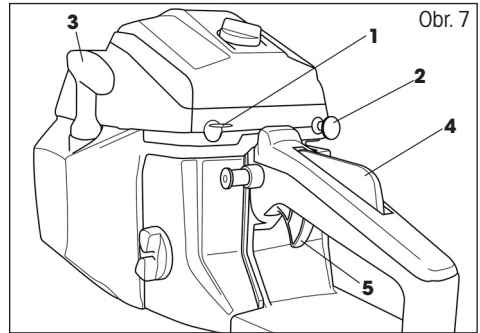
1. Nastavte hlavný vypínač do hornej polohy (pozrite Obr. 7, bod 1).
2. Vytiahnite páčku sýtiča (Obr. 7, bod 2), ale nemanipuluje s páčkou ovládania plynu.
3. Pílu položte na rovnú zem tak, aby bola stabilná a ťahajte za rukoväť štartovacej šnúry, kým nedôjde k pretočeniu motora (motor prejaví snahu naštartovať) (Obr. 8).
4. V tomto okamihu zatlačte páčku sýtiča späť (Obr. 7, bod 2) a opätovným ťahaním za štartovaciu šnúru motor naštartujte.

**⚠ POZOR!** Príliš dlhé pretáčanie motora s vyiahnutou páčkou sýtiča spôsobí preplavenie motora a problémy s jeho štartovaním.

5. Pred začatím práce nechajte motor niekoľko minút zahrievať na prevádzkovú teplotu.

### Štartovanie zahriateho motora

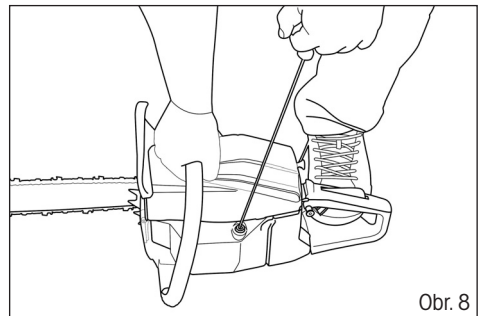
1. Nastavte horný vypínač do hornej polohy (pozrite Obr. 7, bod 1)
2. Ťahajte za rukoväť štartovacej šnúry, kým nedôjde k naštartovaniu motora (Obr. 8)  
NEPOUŽÍVAJTE SÝTIČ!



**⚠ POZOR!** Ak došlo úplnému spotrebovaniu paliva v palivovej nádrži, po doplnení paliva zopakujte kroky na ŠTARTOVANIE STUDENÉHO MOTORA.

### Regulácia otáčok

- ☼ Na zvýšenie otáčok stlačte najskôr dlaňou bezpečnostnú poistku plynu (Obr. 7, bod 4) a následne palcom stlačte páčku ovládania plynu (Obr. 7, bod 5)
- ☼ Na zníženie otáčok uvoľnite páčku ovládania plynu



### Zastavenie motora

- ☼ Uvoľnite páčku ovládania plynu (Obr. 7, bod 5) a prepnite hlavný vypínač do polohy „Stop“ (Obr. 1, bod 1).

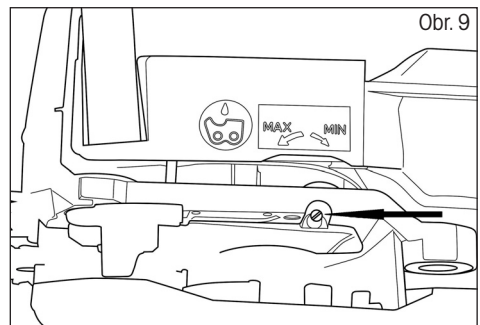
### ⚠ VAROVANIE

Výfukové plyny motora obsahujú chemické látky, ktoré sú zdraviu škodlivé. Nikdy tieto plyny nevdychujte. Pílu vždy štartujte mimo budovy.

### Kontrola mazania reťaze

**⚠ POZOR!** Dodržujte bezpečnostné opatrenia a zabránite kontaktu vodiacej lišty s povrchom terénu. Používajte toto náradie bezpečne a udržiavte minimálnu vzdialenosť od zeme 20 cm.

- ☼ Pred začatím práce skontrolujte namazanie reťaze a množstvo oleja v nádržke píly. Zapnite pílu a držte ju nad zemou. Ak uvidíte zväčšujúce sa stopy po oleji, mazanie reťaze prebieha správne. Ak nebudú na zemi žiadne stopy oleja, nastavte silu mazania na spodnej strane píly (Obr. 9)



- ✿ V prípade, že ani potom nie je reťaz dostatočne mazaná, očistite výstupný otvor na olej (pod krytom reťazového kolesa), horný otvor napínania reťaze a rozvod oleja, prípadne kontaktujte autorizované servisné stredisko.

## 9. NASTAVENIE NAPNUTIA REŤAZE

**⚠ POZOR!** Počas prevádzky má reťaz píly pôsobením vyššej teploty tendenciu sa predlžovať. Dlhšia reťaz sa uvoľňuje a môže skĺznuť z vodiacej lišty.

- ✿ Povoľte upínacie matice krytu reťazového kolesa.
- ✿ Uistite sa, či je reťaz nasadená vo vodiacej drážke vodiacej lišty.
- ✿ Na otočenie nastavovacej skrutky napnutia reťaze (Obr. 5) použite skrutkovač. Otáčajte nastavovacou skrutkou, kým nedosiahnete požadované napnutie reťaze (mali by ste reťaz zdvihnúť uprostred vodiacej lišty v horizontálnej polohe zhruba do výšky 3 až 4 mm).
- ✿ Pevne utiahnite upínacie matice vodiacej lišty.

**⚠ POZOR!** Reťaz príliš nenapínajte. Prílišné napnutie zahriatej reťaze môže viesť k jej nadmernému napnutiu po vychladnutí.

## 10. REZANIE

**⚠ POZOR!** Skôr ako budete pokračovať, prečítajte si kapitolu „Bezpečnostné pokyny“. Odporúčame získať skúsenosti pri rezaní menších polien. Tým sa zároveň s pilou oboznámite.

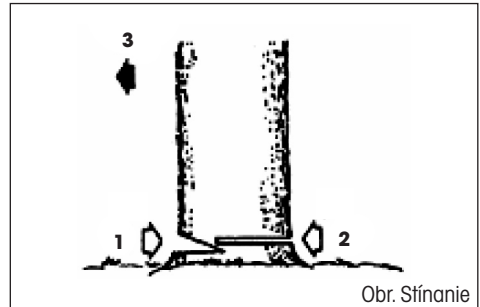
- ✿ Vždy dodržujte bezpečnostné pokyny. Reťazovú pílu je možné používať iba na rezanie dreva. Je zakázané rezať iné materiály. Vibrácie a spätný raz sa pre rôzne materiály líšia. Pílu nepoužívajte ako páku na zdvíhanie, premiestňovanie alebo rozbíjanie objektov. Je zakázané k pile pripieňovať súčasti alebo prípravky iné než uvedené v technickej dokumentácii.
- ✿ Pílu nie je nutné do rezu tlačiť. Keď motor beží na plný plyn, pílu prítlačajte len zľahka.
- ✿ Ak dôjde k zachyteniu reťaze v reze, neskúšajte ho uvoľniť fahom, ale rez rozťahnite klinom alebo pákou.

### Bezpečnostná brzda (ochrana proti spätnému rázu)

- ✿ Táto píla je vybavená brzdou reťaze, ktorá, ak pracuje správne, v prípade spätného rázu ihneď reťaz zastaví. Činnosť brzdy reťaze je nutné skontrolovať pred každým použitím píly. Pílu spustíte na plný plyn na 1 – 2 sekundy a potom sklopte predný ochranný kryt. Reťaz sa musí ihneď zastaviť aj pri plných otáčkach motora. Ak sa reťaz zastavuje pomaly alebo nezastaví vôbec, kontaktujte autorizované servisné stredisko.
- ✿ Je mimoriadne dôležité pred každým použitím skontrolovať funkčnosť brzdy reťaze a stav nabrúsenia reťaze, aby bola zachovaná potrebná úroveň bezpečnosti píly pri spätnom ráze. Odstránením bezpečnostného príslušenstva, pri nesprávnej údržbe či pri použití nevhodnej lišty alebo reťaze môže v prípade spätného rázu dôjsť k ťažkým úrazom.

## Sťínanie stromu

- ✿ Rozhodnite o smere pádu stromu s prihliadnutím k smeru vetra, náklonu stromu a polohe vetvy a zvážte aj všetky ostatné faktory, pred začatím práce.
- ✿ Plocha okolo stromu musí byť voľná, bez prekážok, musí umožňovať stabilný postoj. Úniková cesta musí byť priechodná.
- ✿ Do tretiny priemeru kmeňa urobte klinový zárez z tej strany, na ktorú má strom spadnúť. (pozrite Obr. Sťínanie, bod 1)
- ✿ Z opačnej strany urobte oddeľovací rez v úrovni nad klinovým zárezom. (pozrite obrázok Sťínanie, bod 2)
- ✿ Pád stromu bude prebiehať smerom ku klinovému zárezu. (pozrite obrázok Sťínanie, bod 3)



**⚠ POZOR!** Pri sťínaní stromov upozornite ostatné osoby v okolí na potenciálne hroziace nebezpečenstvo. Sťínanie stromov vyžaduje prax a bez náležitých skúseností ho neodporúčame vykonávať.

## Rezanie polien

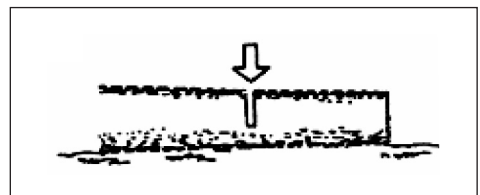
**⚠ POZOR!** Vždy udržiavajte stabilný postoj. Nestúpajte na polená.

**⚠ POZOR!** Pred začatím práce sa uistite, či sú všetky komponenty na svojom mieste a všetky skrutky a matice sú dotiahnuté.

- ✿ Rezané poleno sa môže odvalovať. Najmä pri rezaní na svahu stojte vždy nad rezaným polenom.
- ✿ Predchádzajte spätnému rázu píly postupovaním v súlade s inštrukciami uvedenými v kapitole „Bezpečnostné pokyny“.
- ✿ Pred začatím práce zhodnoďte smer sily spôsobujúcej ohýbanie rezaného kmeňa. Záverečný rez vždy robte z opačnej strany, než pôsobí ohýbajúca sila, aby nedošlo k zovretiu lišty v reze.
- ✿ Pílu prenášajte iba za predpokladu, že je motor vypnutý, a lišta chránená ochranným krytom.

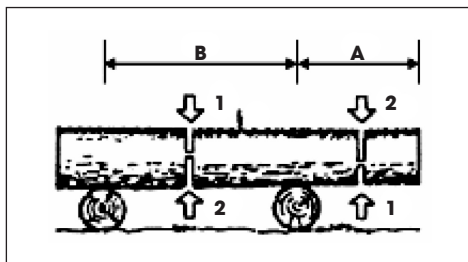
Poleno ležiace na zemi

- ✿ Prerežte do polovice, potom otočte a dorežte z opačnej strany.



### Poleno nad zemou

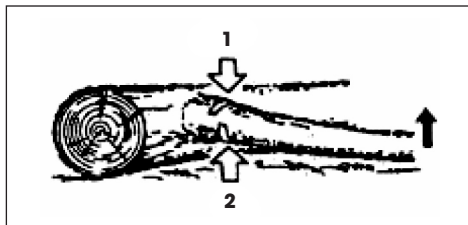
- ✿ V časti „A“ urobte rez zdola do tretiny polena a potom rez dokončíte zhora. V časti „B“ urobte rez zhora do tretiny a potom rez dokončíte zdola.



### Odvetvovanie padnutého stromu

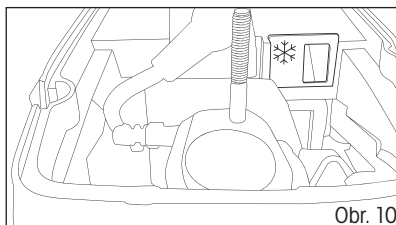
- ✿ Najskôr zistíte, na ktorú stranu je vetva ohnutá. Potom urobte začiatkový rez zo strany ohybu a potom dokončíte rez z opačnej strany.

**⚠ POZOR!** Ohnutá vetva sa môže vymrštiť.



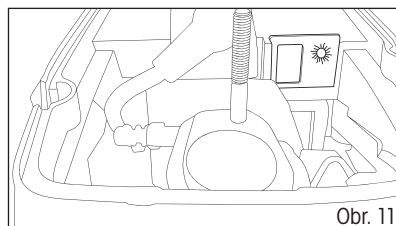
### Pri teplotách pod 0°

- ✿ Nastavte klapku, ktorá sa nachádza za vzduchovým filtrom do zimnej polohy, pozrite obr. 10. Symbol zimnej polohy „Snehová vločka“ musí byť viditeľný. Vďaka tomuto nastaveniu sa spolu so studeným vzduchom nasáva aj teplý vzduch z okolia valca a vnútri karburátora sa potom netvorí ľad.



Obr. 10

- ✿ **Pri teplotách nad +10 °C vráťte klapku do letnej polohy, inak by mohlo dôjsť k poruchám motora z dôvodu prehriatia. Symbol letnej polohy „Sinko“ musí byť viditeľný, pozrite obr. 11.**



Obr. 11

## 11. ČISTENIE A ÚDRŽBA NÁRADIA

- ⚠ POZOR!** Pred čistením, kontrolou alebo opravou píly musí byť motor vypnutý a studený a musí byť vybratá žeravica sviečka, aby nemohlo dôjsť k neplánovanému spusteniu.

### Údržba po každom použití

- ✿ Demontujte lištu a celú pílu očistite od usadených pilín pomocou štetca. Na odstránenie prilipnutých nečistôt je možné použiť špachtľu alebo skrutkovač.

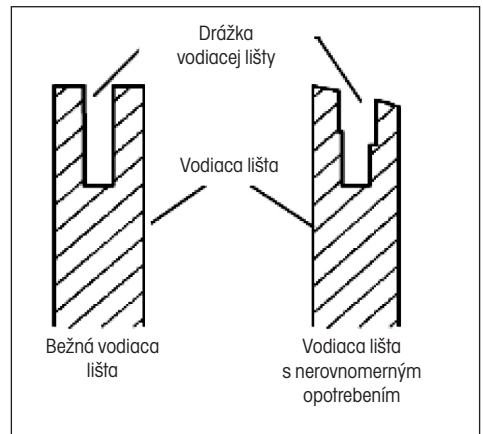
- ✿ **Vzduchový filter:**  
Povoľte skrutku (Obr. 1, bod 11) a odoberte veko vzduchového filtra. Vyberte vložku filtra a kefou odstráňte prilipnutý prach. Ak je vložka filtra zanesená prachom, rozložte ju na 2 časti a preperte ju v benzíne. Ak používate stlačený vzduch, vyfúkava sa smerom zvnútra.
- ✿ **Mazací otvor:**  
Demontujte lištu a skontrolujte priechodnosť mazacieho otvoru.
- ✿ **Vodiaca lišta:**  
Po demontáži lišty odstráňte prach z drážok a mazacieho otvoru.
- ✿ **Ostatné časti:**  
Skontrolujte prípadné úniky oleja, uvoľnené úchyty a poškodenie hlavných častí, najmä v miestach uchytienia rukoväti a lišty. Prípadne zistené poruchy sa musia pred ďalším použitím píly opraviť.

## Čistenie telesa reťazovej píly

Udržujte teleso reťazovej píly čisté. Pri čistení použite mäkkú handričku namočenú v mydlovom roztoku. Touto handričkou starostlivo očistite teleso reťazovej píly.

## Údržba vodiacej lišty

- ✿ Najviac problémov s vodiacou lištou nastáva v dôsledku nerovnomerného opotrebenia. K nerovnomernému opotrebeniu dochádza väčšinou z dôvodu nesprávneho naostrenia reťaze a nesprávneho nastavenia obmedzovacieho zuba. Pri nerovnomernom opotrebení lišty dochádza k rozširovaniu vodiacej drážky (pozrite Obrázok). Dôsledkom je potom klepanie reťaze a odpadávanie niťov. S pilou nie je možné robiť rovné rezy. V takom prípade vodiacu lištu vymeňte za novú.
- ✿ Pred ostrením reťaze vždy skontrolujte stav vodiacej lišty. Použitie opotrebenej alebo poškodenej lišty je veľmi nebezpečné. Použitím opotrebenej alebo poškodenej lišty dôjde k poškodeniu reťaze. Rezanie s takýmto nástrojom bude zároveň výrazne ťažšie a namáhavejšie.



## Bežná údržba vodiacej lišty

- ✿ Demontujte vodiacu lištu z telesa reťazovej píly.
- ✿ Z drážky vodiacej lišty pravidelne odstraňujte piliny. Pri čistení použite špachtľu alebo drôt.
- ✿ Olejové drážky vyčistite po skončení každého pracovného dňa.
- ✿ Vodiacu lištu vymeňte, ak:
  - je ohnutá alebo popraskaná
  - má ťažko poškodenú alebo opotrebenú drážku

 **POZNÁMKA:** Pri výmene vodiacej lišty postupujte podľa pokynov uvedených v tomto návode. Správny typ lišty nájdete v prehľade technických údajov.

## 12. OSTRENIE PÍLOVEJ REŤAZE

Pílovú reťaz udržiajte ostrú. Rezanie bude výrazne rýchlejšie a predovšetkým bezpečnejšie. Tupá reťaz zvyšuje opotrebenie reťazového kolesa, vodiacej lišty, reťaze a pohonu. Ak musíte na pílu tlačiť a pri rezaní sa tvoria iba piliny s pár odrezkami, znamená to, že je reťaz tupá.

**Na tento účel odporúčame kontaktovať autorizovaný servis.**

### Vybavenie nevyhnutné na ostrenie pílovej reťaze

- \* Gulatý pilník – pozrite špecifikácie technických parametrov
- \* Obmedzovací zub
- \* Vodidlo pilníka
- \* Zverák
- \* Plochý pilník strednej veľkosti

### Ostrenie zubov reťaze

Použite vodidlo na pilovanie pod uhlom 30° (značka A, pozrite obrázok).

- \* Nastavte napnutie pílovej reťaze na správnu úroveň.
- \* Upevnite vodiacu lištu do zveráka, aby ste mali reťaz v stabilnej polohe.

**POZNÁMKA:** Samotnú reťaz neupevňujte.

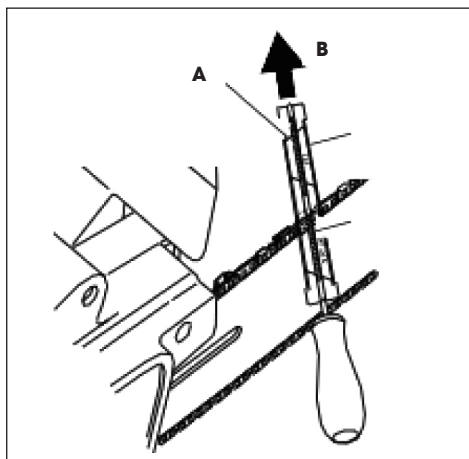
- \* Vtlačte okrúhly pilník, vložený do vodidla, do drážky medzi horný plech a obmedzovací zub na reťazi. Reťaz by sa mala dotýkať ako horného plechu, tak obmedzovacieho zuba (pozrite obrázok).

**POZNÁMKA:** Pilujte v strede vodiacej lišty.

**POZNÁMKA:** Na obrázku vidíte umiestnenie vodidla pilníka a smer pilovania zubov na ľavej strane reťaze.

- \* Umiestnite vodidlo pilníka do požadovaného uhla (značka A, pozrite obrázok). Overte si, že je značka 30° na vodidle pilníka zarovnaná so stredom vodiacej lišty. Ako sa uistíte, budete pilovať pod uhlom 30°.
- \* Pilujte zub smerom zvnútra von (v smere B, pozrite obrázok), kým nebude ostrý. Pilujte iba v tomto smere.

**POZNÁMKA:** Na naoštrenie zuba by mali postačiť dva až tri fahy pilníkom.



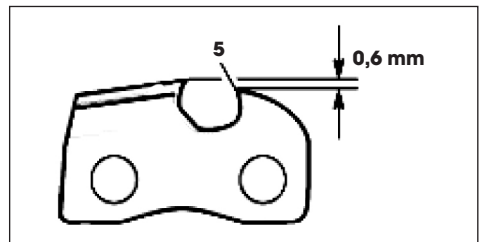
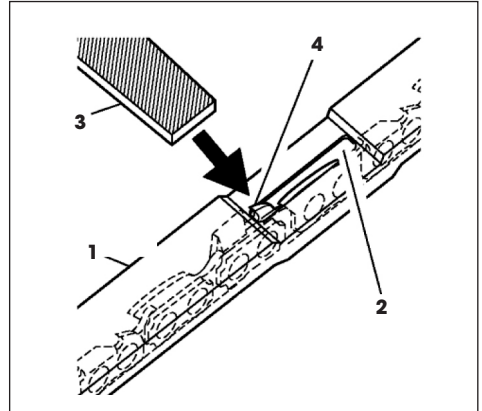


## Pilovanie obmedzovacieho zuba

Dôsledkom ostrenia zubov reťaze je zníženie tolerancie obmedzovacieho zuba. Po každom druhom až treťom ostrení je nevyhnutné upraviť nastavenie obmedzovacieho zuba.

- ✿ Umiestnite nástroj na úpravu obmedzovacieho zuba (pozrite obr., bod 1) pevne na hornú hranu dvoch zubov. Uistite sa, či drážka nástroja zapadá do drážky obmedzovacieho zuba (pozrite obr., bod 2.)
- ✿ Použite plochý pilník strednej veľkosti (pozrite obr., bod 3). Opilujte obmedzovací zub (pozrite obr., bod 4) do úrovne nástroja na úpravu obmedzovacieho zuba.
- ✿ Odoberte nástroj na úpravu obmedzovacieho zuba. Pomocou plochého pilníka zaoblíte prednú hranu obmedzovacieho zuba (pozrite obrázok). Pri brúsení dodržte predpísané hodnoty (pozrite obr., bod 5).

**POZNÁMKA:** Po niekoľkých ručných ostreniach odovzdajte pílovú reťaz na naostrenie autorizovanému servisnému stredisku alebo ho naostriete špeciálnym ostriacim strojom. Tým obnovíte rovnomerné naostrenie všetkých zubov.



# 13. VÝMENA PÍLOVEJ REŤAZE

**⚠ POZOR!** Pri výmene pílovej reťaze neupínajte reťazovú pílu ani vodiacu lištu do zveráka.

Reťaz vymeňte vždy, ak sú zuby príliš opotrebené a nie je možné ich naostriť alebo ak reťaz praskne. Použite iba originálnu náhradnú reťaz podľa špecifikácie tohto návodu na použitie. Pri výmene reťaze vždy vymeňte aj ozubené reťazové koleso. Tým zaistíte správnu pozíciu reťaze pri pohybe. (Poznámka: Špecifikáciu správneho typu reťaze a ozubeného kolesa nájdete v prehľade technických údajov.)

- \* Povoľte a odoberte skrutku vodiacej lišty.
- \* Odoberte kryt reťazového kolesa.
- \* Odoberte pílovú reťaz.
- \* Obtočte novú reťaz okolo ozubeného kolesa, potom pozdĺž hornej drážky vodiacej lišty a okolo hrotu vodiacej lišty.

**⚠ POZOR!** Uistite sa, či rezné zuby reťaze smerujú správnym smerom. Reťaz umiestnite tak, aby zuby na hornej strane lišty smerovali k prednej hrane lišty (pozrite obrázok).

- \* Pred umiestnením krytu reťazového kolesa do pozície si overte, či je regulačný hrot napínania reťaze zasunutý do regulačného otvoru vodiacej lišty.
- \* Umiestnite kryt reťazového kolesa späť na teleso píly.
- \* Pripevnite kryt reťazového kolesa skrutkou vodiacej lišty.

**⚠ POZOR!** Skrutku uťahujte iba rukou.

- \* Upravte napnutie pílovej reťaze.
- \* Dotiahnite skrutku vodiacej lišty.

**⚠ POZOR!** Uistite sa, či ste neumiestnili pílovú reťaz na vodiacu lištu v opačnom smere. V opačnom prípade bude píla vykazovať nadmerné vibrácie a nebude rezať.



# 14. TABUĽKA ÚDRŽBY

Uvedomte si, prosím, že nasledujúce intervaly údržby platia iba pre bežné pracovné podmienky. Ak je vaša denná práca náročnejšia než bežná, musia sa intervaly údržby príslušne skrátiť.		Pred každým použitím	Po každej prestávke na doplnenie paliva	Každý týždeň	Pri poškodení alebo poruche	Podľa potreby
Celý stroj	Skontrolovať: úniky, trhliny a opotrebenie	X	X			
Kontroly: spínač, štartér, páčka plynu a páčka aretácie plynu	Kontrola činnosti	X	X			
Brzda refaze	Kontrola činnosti	X	X			
	Kontrola autorizovanou opravovňou				X	
Palivová nádržka a olejová nádržka	Skontrolovať: úniky, trhliny a opotrebenie	X	X			
Palivový filter	Kontrola a čistenie			X		
	Výmena filtračného prvku				X	Každých 6 mesiacov
Mazanie refaze	Kontrola výkonu	X	X			
Refaz	Skontrolovať: poškodenie, nabrúsenie a opotrebenie	X	X			
	Kontrola napnutia	X	X			
	Naostrenie: skontrolujte hĺbku brúsa				X	
Lišta	Skontrolovať: poškodenie a opotrebenie	X	X			
	Čistenie drážok a vedenia oleja	X				
	Otočenie, namazanie hnacieho kolesa a zbavenie ostrín			X		
	Vymeniť				X	
Refaz	Skontrolovať: poškodenie a opotrebenie			X		Výmena s každou novou refazou
Spojka	Skontrolovať: poškodenie a opotrebenie			X		
	Vymeniť				X	
Zachytávač refaze	Skontrolovať: poškodenie a opotrebenie	X	X			
	Vymeniť				X	
Všetky prístupné skrutky a matice (okrem skrutiek na karburátore)	Skontrolovať a dotiahnuť			X		
Vzduchový filter	Vyčistiť	X				
	Vymeniť				X	Každých 6 mesiacov
Rebrá valca a štrbiny v kryté štartéra	Vyčistiť			X		
Štartovacie lanko	Skontrolovať: poškodenie a opotrebenie			X		
	Vymeniť				X	
Karburátor	Skontrolovať minimálne otáčky (refaz sa pri minimálnych otáčkach nesmie otáčať)	X	X			
Sviečka	Skontrolovať vzdialenosť elektród			X		
	Vymeniť				X	Každých 6 mesiacov
Antivibračný systém	Skontrolovať: poškodenie a opotrebenie			X		

# 15. ŘEŠENÍ PROBLÉMŮ

**POZOR:** jednotku vždy vypněte a odpojte zapalovací svíčku, než začnete vykonávat kontroly odporované v tabulce, okrem případov, keď sa vyžaduje jednotka v činnosti.

Keď boli skontrolované všetky možné príčiny a problém nebol vyriešený, spojte sa s autorizovaným servisným strediskom. Keď zistíte problém, ktorý nebol uvedený v tabulke, spojte sa s autorizovaným servisným strediskom.

PROBLÉM	MOŽNÉ PRÍČINY	RIEŠENIE
Motor nie je možné naštartovať alebo zhasne niekoľko sekúnd po naštartovaní. (Uistite sa, či prepínač je v polohe „I“)	<ol style="list-style-type: none"> <li>1. Svíčka nedáva iskru</li> <li>2. Motor je prehriaty</li> </ol>	<ol style="list-style-type: none"> <li>1. Skontrolujte iskru svíčky. Ak svíčka nedáva iskru, opakujte test s novou svíčkou (WXL7T).</li> <li>2. Vyberte svíčku a niekoľkokrát zatiahnite za štartovanie. Potom očistenú svíčku namontujte späť a štartujte bez sýtiča.</li> </ol>
Motor sa rozbehne, ale riadne nezvyšuje otáčky alebo pri vysokých otáčkach nepracuje správne.	Karburátor sa musí nastaviť.	Spojte sa s autorizovaným servisným strediskom pre nastavenie karburátora
Motor nedosiahne plné otáčky a/alebo príliš dymí.	<ol style="list-style-type: none"> <li>1. Skontrolujte zmes oleja s benzínom.</li> <li>2. Znečistený vzduchový filter.</li> <li>3. Karburátor sa musí nastaviť.</li> </ol>	<ol style="list-style-type: none"> <li>1. Použite nový benzín a olej vhodný pre dvojtaktné motory.</li> <li>2. Vyčistite; pozrite pokyny v kapitole 11.</li> <li>3. Spojte sa s autorizovaným servisným strediskom pre nastavenie karburátora.</li> </ol>
Motor naštartuje, funguje a zrýchľuje, ale nedrží si voľnobežné otáčky.	Karburátor sa musí nastaviť.	Spojte sa s autorizovaným servisným strediskom pre nastavenie karburátora.
Lišta a reťaz sa počas činnosti zahrievajú a dymia	<ol style="list-style-type: none"> <li>1. Prázdna nádržka na olej pre reťaz</li> <li>2. Príliš napnutá reťaz</li> <li>3. Zlá činnosť mazacej sústavy</li> </ol>	<ol style="list-style-type: none"> <li>1. Nádržka na olej sa musí naplniť zakaždým, keď sa plní palivová nádržka.</li> <li>2. Napnutie reťaze; pozrite pokyny v kapitole 5.</li> <li>3. Nechajte ísť na maximálne otáčky 15 – 30 sekúnd. Zastavte a skontrolujte, či olej odkvapkáva zo špičky lišty. Ak tam olej je, môže byť chybná činnosť spôsobená voľnou reťazou alebo poškodenou lištou. Ak olej neodkvapkáva, spojte sa s autorizovaným servisným strediskom</li> </ol>
Motor sa rozbehne, ale reťaz sa netočí. <b>POZOR:</b> keď je motor v činnosti, nikdy sa nedotýkajte reťaze	<ol style="list-style-type: none"> <li>1. Brzda reťaze zapnutá</li> <li>2. Príliš napnutá reťaz</li> <li>3. Montáž lišty a reťaze</li> <li>4. Poškodená reťaz a/alebo lišta</li> <li>5. Poškodená spojka a/alebo pastork</li> </ol>	<ol style="list-style-type: none"> <li>1. Vypnite brzdu reťaze; pozrite kapitolu 7.</li> <li>2. Napnutie reťaze; pozrite pokyny v kapitole 9.</li> <li>3. Pozrite pokyny v kapitole 5.</li> <li>4. Pozrite pokyny v kapitole 11. a 13.</li> <li>5. V prípade potreby vymeňte; spojte sa s autorizovaným servisným strediskom</li> </ol>

## 16. TECHNICKÉ PARAMETRE

Typ.....	FZP 5016 B
Motor.....	50,4 cm <sup>3</sup>
Maximálny výkon motora.....	2,0 kW / 11 500 rpm
Maximálna rýchlosť motora s rezacím nástrojom.....	11 500 rpm
Maximálna rýchlosť motora pri voľnobehu.....	3 000 rpm
Dĺžka lišty.....	405 mm
Rezná dĺžka.....	345 mm
Delenie reťaze.....	0,375 inch
Šírka vodiacej drážky.....	1,5 mm
Počet vodiacich článkov reťaze.....	57
Priemer pilníka.....	4 mm
Hmotnosť (bez lišty a reťaze).....	5,75 kg
Rozmery (vrátane lišty a reťaze).....	790 x 235 x 245 mm
Palivová zmes (benzín : olej).....	40:1
Kapacita palivovej nádrže.....	540 ml
Kapacita olejovej nádrže.....	240 ml
Olej na mazanie reťaze.....	olej na stratové mazanie
Systém mazania reťaze.....	automatická pumpa s možnosťou nastavenia
Hladina akustického tlaku.....	LpA: 115dB(A)
Garantovaná hladina akustického výkonu.....	LwA: 108 dB(A)
Vibrácie* – predné držadlo.....	7,212 m/s <sup>2</sup>
Vibrácie* – zadné držadlo.....	6,530 m/s <sup>2</sup>

Rok výroby: 2016

\* Ak zistíte, že sa vibrácie, prenášané do rúk, znateľne zhoršili v porovnaní so stavom, keď bola píla nová, skontrolujte opotrebenie silenblokov (pogumované upevňovacie prvky) a v prípade potreby kontaktujte autorizované servisné stredisko pre ich výmenu.

**⚠ POZOR!** Práca s reťazovou pilou s nesprávne fungujúcim systémom tlmenia vibrácií môže mať za následok zdravotné problémy.

# 17. LIKVIDÁCIA

## **POKYNY A INFORMÁCIE O ZAOBCHÁDZANÍ S POUŽITÝM OBALOM**

Použitý obalový materiál odložte na miesto určené obcou na ukladanie odpadu.



Stroj a jeho príslušenstvo sú vyrobené z rôznych materiálov, napr. z kovu a plastov.  
Poškodené súčiastky odovzdajte do triedeného zberu. Informujte sa na príslušnom úrade.



Tento výrobok spĺňa všetky základné požiadavky smerníc EÚ, ktoré sa naň vzťahujú.

Zmeny v texte, dizajne a technických špecifikáciách sa môžu meniť bez predchádzajúceho upozornenia a vyhradujeme si právo na ich zmenu.

Návod na použitie v originálnom jazyku.

# 18. VYHLÁSENIE O ZHODE

## ES Vyhlásenie o zhode

Fast ČR, a. s., Černokostelecká 251 01 Říčany pri Prahe, telefón: 323204111, vyhlasuje so záväzným účinkom, že benzínová reťazová píla Fieldmann FZP 5016-B (rok výroby je uvedený na typovom štítku, po ktorom nasleduje výrobné číslo stroja) spĺňa nasledujúce požiadavky SMERNICE RADY

ES Smernica pre strojové zariadenia (MD) 2006/42/ES (98/37/EDC)

ES Smernica pre elektromagnetickú kompatibilitu (EMC)

ES Smernica o hluku zariadení (ND) 2005/88/ES (2000/14/ES)

ES Emisie plyných látok 2002/88/ES

a bola testovaná podľa nasledujúcich noriem:

EN ISO 11681-1:2011

EN ISO 14982:1998; EN ISO 14982:2009

EN ISO 3744:2010

ISO 9207:1995

Technické údaje:

50,4 cm<sup>3</sup>, 2,0 kW

Označenie CE: 15

Říčany, 29. novembra 2015

meno pečiatka podpis

Petr Uher

Manažér kvality

**FAST** FAST ČR, a.s. ©  
 Černokostelecká 1621  
 251 01 Říčany u Prahy  
 IČO: 26726548 tel.: +420/ 323 204 111  
 DIČ: CZ26726548 fax: +420/ 323 204 110







# Láncfűrész

## HASZNÁLATI ÚTMUTATÓ

**Köszönjük, hogy megvásárolta ezt a láncfűrész. Mielőtt használni kezdi, figyelmesen olvassa el ezt a használati útmutatót és őrizze meg a későbbiekre.**

## TARTALOM

1. ÁLTALÁNOS BIZTONSÁGI ELŐÍRÁSOK.....	83
Fontos biztonsági figyelmeztetések.....	83
Csomagolás .....	83
Használati útmutató.....	83
2. A GÉPEN TALÁLHATÓ, UTASÍTÁSOKAT TARTALMAZÓ CÍMKÉK MAGYARÁZATA .....	84
3. BIZTONSÁGI UTASÍTÁSOK .....	85
A gép használata előtt .....	85
Biztonságos kezelés, munkaeszközök és öltözet.....	85
Az üzemanyag kezelésével kapcsolatos utasítások.....	87
4. A GÉP LEÍRÁSA ÉS A CSOMAGOLÁS TARTALMA.....	88
A gép leírása (ld. 1. ábra).....	88
5. A TÁMASZTÓFOGAK, A VEZETŐLEMEZ ÉS A LÁNC FELSZERELÉSE .....	89
A támasztófogak felszerelése.....	89
A vezetőlemez és a lánc felszerelése .....	89
6. ÜZEMANYAG ÉS LÁNCKENŐ OLAJ .....	90
A tartály feltöltése olajjal .....	90
Az üzemanyag-keverék elkészítése .....	90
Az üzemanyag tárolása.....	91
7. A HASZNÁLAT ELŐKÉSZÜLETEI .....	91
Láncfék (1. ábra 9. pont) .....	92
A fék működésének ellenőrzése .....	92
8. A FÜRÉSZ BEINDÍTÁSA ÉS KIKAPCSOLÁSA .....	92
A hideg motor beindítása .....	92
A bemelegített motor indítása.....	93
A forgás szabályozása .....	93
A motor megállítása.....	93
A lánc olajozásának ellenőrzése.....	93
9. A LÁNC FESZESSÉGÉNEK BEÁLLÍTÁSA .....	94
10. VÁGÁS.....	94
Biztonsági fék (védelem visszaütés ellen).....	94
Favágás.....	95
Hasábok aprítása .....	95
Földön fekvő hasáb.....	95
Föld fölött lévő hasáb.....	96
Kidőlt fa legallyazása.....	96

11. A SZERSZÁM TISZTÍTÁSA ÉS KARBANTARTÁSA .....	96
Karbantartás minden használat után .....	96
A láncfűrész testének tisztítása .....	97
A vezetőlemez karbantartása .....	97
A vezetőlemez normál karbantartása .....	97
12. A FŰRÉSZLÁNC ÉLEZÉSE .....	98
A fűrészlánc élezéséhez elengedhetetlen felszerelés .....	98
A lánc szemeinek élezése .....	98
A mélységhatároló reszelése .....	99
13. A FŰRÉSZLÁNC CSERÉJE .....	100
14. KARBANTARTÁSI TÁBLÁZAT .....	101
15. HIBAELHÁRÍTÁS .....	102
16. MŰSZAKI ADATOK .....	103
17. MEGSEMISÍTÉS .....	104
18. MEGFELELŐSÉGI NYILATKOZAT .....	105

# 1. ÁLTALÁNOS BIZTONSÁGI ELŐÍRÁSOK

## Fontos biztonsági figyelmeztetések

- ✿ A terméket óvatosan csomagolja ki és ügyeljen arra, hogy a csomagolóanyag egyik részét se dobja ki korábban, mint hogy megtalálja a termék összes részét.
- ✿ A gépet tartsa száraz helyen és gyermekektől távol.
- ✿ Olvassa el az összes figyelmeztetést és utasítást. A figyelmeztetések és utasítások figyelmen kívül hagyásának áramütés, tűz és/vagy súlyos sérülés lehet a következménye.

## Csomagolás

A terméket a csomagolása védi a szállítás közbeni sérüléstől. Ez a csomagolás újrahasznosítható anyagból készült, ezért le lehet adni újrahasznosításra.

## Használati útmutató

Mielőtt használni kezdi a gépet, olvassa el a következő biztonsági előírásokat és a használati utasításokat. Ismerkedjen meg a kezelőelemekkel és a készülék helyes használatával. Az útmutatót gondosan őrizze meg későbbi szükség esetére. Legalább a jótállás idejére javasolt megőrizni az eredeti csomagolást a belső csomagolóanyagokkal együtt, a pénztárjegyet és a garancialevelet. Szállítás esetén csomagolja vissza az eredeti gyári csomagolásba, így maximális védelmet biztosít számára (pl. költözés vagy szervizbe küldés esetén).

 **MEGJEGYZÉS:** Ha a gépet újabb személynek adja el, az útmutatóval adja át.

A használati útmutató utasításainak betartása a gép helyes használatának alapja. A használati útmutató a kezelésre, karbantartásra és javításra vonatkozó utasításokat is tartalmaz.

**A gyártó nem felel az útmutató utasításainak be nem tartásából adódó balesetekért vagy károkért.**

## 2. A GÉPEN TALÁLHATÓ, UTASÍTÁSOKAT TARTALMAZÓ CÍMKÉK MAGYARÁZATA



A gép használata előtt figyelmesen olvassa el a használati utasítást.



A gép használata közben viseljen védőfelszerelést, pl. védőszemüveget, fülvédőt stb.



A láncfűrész használata közben mindig használja mindkét kezét.



A munkánál használjon védőkesztyűt.



Szilárd, szigetelő munkacipőt használjon.



Figyelem! Vigyázzon, a szerszám visszaüthet.



Figyelmeztetés! Figyelem!

## 3. BIZTONSÁGI UTASÍTÁSOK

**⚠ VIGYÁZAT!** A használati útmutatóban feltüntetett szimbólumokkal megjelölt biztonsági utasítások olyan kritikus pontokra mutatnak rá, amelyeknek a gép használata közben figyelmet kell szentelni, nehogy súlyos vagy akár halálos sérülés következzen be. Olvassa el alaposan a biztonsági utasításokat, és tartsa be őket.

**⚠ VIGYÁZAT!** Ez a szimbólum olyan utasításokat jelez, amelyeket be kell tartani, hogy elkerüljük a baleseteket, amelyek súlyos vagy halálos sérüléshez vezethetnek.

**📖 MEGJEGYZÉS:** Ez a szimbólum olyan utasításokat vagy tanácsokat jelez, amelyek hasznosak lehetnek a készülék használata közben.

### A gép használata előtt

- ✿ A gép használata előtt figyelmesen olvassa el a használati utasítást.
- ✿ Ne használja a készüléket, ha drog vagy alkohol hatása alatt áll, ha fáradt vagy kimerült. A készüléket ne használja, ha olyan gyógyszert szed, ami befolyásolhatja vagy korlátozhatja a belátási képességét a gép biztonságos használata során.
- ✿ Ne használja a gépet beltérben, a kiszabaduló gázok káros szén-monoxidot tartalmaznak.
- ✿ Soha ne használja a készüléket az alábbi feltételek esetén:
  - Ha a munkaterület csúszós, vagy ha az időjárási körülmények nem teszik lehetővé, hogy a készülék használata közben stabilan álljon.
  - Ha sötét van vagy erős köd, vagy olyan rossz időjárási körülmények, amelyek akadályozzák a látási viszonyokat a munkaterületen.
  - Esőben, viharban, erős szélben vagy egyéb olyan feltételek esetén, amelyek veszélyesek lehetnek a gép használata során.
- ✿ Ha először használja a fűrészt, a munka megkezdése előtt kérjen tanácsot szakavatott személytől.
- ✿ A fáradtság vagy fizikai kimerültség a figyelem kihagyásához vezethet, aminek súlyos sérülés lehet a következménye
- ✿ Korlátozza a használati időt egyszerre kb. 10 percre, és igyekezzen az egyes munkák között 10-20 percet pihenni. Korlátozza az egész nap alatt végzendő munkát kb. 2 órára.
- ✿ Bizonyosodjon meg róla, hogy a használati útmutató kéznél van, ha szüksége lenne a rá.
- ✿ Ha a készüléket eladja vagy kölcsönadja, bizonyosodjon meg róla, hogy a használati útmutatót is odaadta.
- ✿ Soha ne engedje, hogy gyermekek vagy olyan személyek használják ezt a készüléket, akik nem ismerkedtek meg eléggé a használati útmutatóval.

### Biztonságos kezelés, munkaeszközök és öltözet

- ✿ A láncfűrész használatakor az alábbi munkaöltözetet és védőfelszerelést hordja:
  - Sisakot
  - Védőszemüveget vagy arcvédő pajsztot
  - Munkavédelmi kesztyűt
  - Csúszásgátló cipőt
  - Fülvédőt

- ✿ Továbbá legyen Önnél
  - a csomagolásban mellékelt szerszám
  - Elég tartalék üzemanyag és olaj a lánc kenéséhez
  - Segédeszközök, amelyekkel kijelöli a munkaterületet (kötél, figyelmeztető jelzések)
  - Síp (segélykéréshez)
  - Fűrész vagy balta ( az akadályok eltávolításához)
- ✿ Munka közben soha ne használjon laza öltözéket, ékszert, ami beakadhat a fűrészbe. Ne dolgozzon szandálban vagy mezítláb.
- ✿ Ellenőrizze a munkafelületet, a vágandó tárgyat és a vágás irányát. Távolítsa el az akadályokat.
- ✿ Soha ne kezdje el a munkát, amíg a munkafelület nem tiszta, nem stabilizálta a helyzetét és nincs tervezett menekülő útvonala a zuhanó fa elől.
- ✿ Legyen nagyon óvatos és tartsa az arra járókat és a háziállatokat a munkaterületen kívül, mégpedig olyan távolságban, amely a vágott tárgy hosszának legalább 2,5-szerese.
- ✿ Ellenőrizze a gép sérült, elhasználódott vagy hiányzó alkatrészeit. Soha ne használja a gépet, ha sérült, rosszul van beállítva vagy hiányos. Bizonyosodjon meg róla, hogy a lánc abbahagyja a forgást, am ikor a gázkart elengedi.
- ✿ Tartsa a fogantyút szárazon, tisztán, olaj- és üzemanyagfoltoktól mentesen.
- ✿ Ne nyúljon hozzá a hangtompítóhoz, gyújtógyertyához vagy a motor egyéb fémrészeihez, ha a gép be van kapcsolva, vagy éppen csak hogy kikapcsolta - megégetheti magát vagy áramütést szenvedhet.
- ✿ Szenteljen különleges figyelmet a vékony ágak és törzsek vágásának, mert a vékony anyagot a lánc elkaphatja és kidobhatja a kezelő felé, aki ettől elveszítheti egyensúlyát.
- ✿ Rugalmas ágak vágásakor ne felejtse el, hogy amikor a vágás után a feszültsége megszűnik, kicsapódhat.
- ✿ Ellenőrizze és távolítsa el a száraz ágakat, amelyek letörhetnek a dőlő fáról.
- ✿ Ha a készüléket félreteszi, ellenőrizze, hogy ki van-e kapcsolva.

**⚠ VIGYÁZAT, visszarúg!** A visszarúgásra akkor kerül sor, amikor a lemez elülső része hozzáér a tárgyhöz, vagy amikor a vágott anyag megakasztja a láncot a vágatban. A tárggyal való érintkezéskor a fűrész kidobódhat, a mit a lemez felfelé és hátra, a kezelő felé történő elmozdulása kísér. A lánc megakadása a vágatban azzal járhat, hogy a lemez gyorsan hátraugrik a kezelő felé. Ez a két reakció azzal járhat, hogy a kezelő elveszti az ellenőrzését a fűrész felett, ami súlyos sérüléshez vezethet. Ne támaszkodjon kizárólag a fűrész biztonsági berendezésére. A fűrész felhasználójaként folyamatosan be kell tartania néhány szabályt a sérülések és anyagi kár megelőzése érdekében.

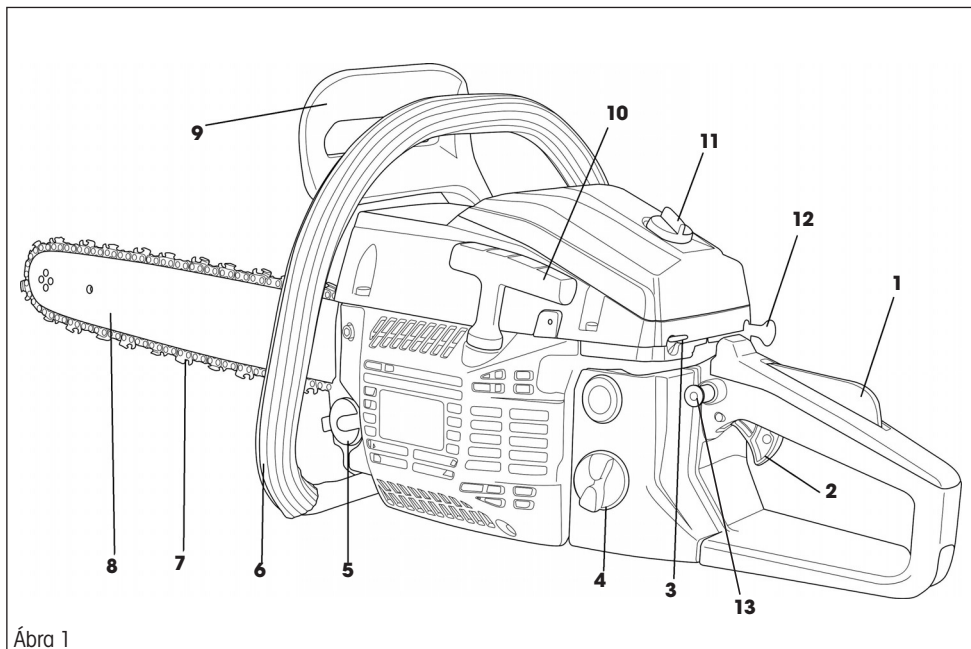
- ✿ Ha fiszfában van a visszarúgás mibenlétével, csökkentheti vagy kizárhatja a meglepetést. A váratlan reakciók vezetnek a balesetekhez.
- ✿ Ha a motor jár, a fűrész tartsa biztosan mindkét kezével, jobb kezével a hátsó fogantyút, bal kezével az elülsőt. A fűrész fogantyúját szilárdan fogja át a többi ujja felé mutató hüvelykujjával. A szilárd tartás segít enyhíteni a visszarúgást és ellenőrzés alatt tartani a fűrész.
- ✿ A munkahelyen semmilyen akadály nem lehet. A lemez szabad vége a fűrészszel végzett munka közben nem akadhat be egy ágba, törzsbe vagy egyéb akadályba.
- ✿ Nagy fordulatszámon vágjon.
- ✿ Vágás közben soha ne veszítse el a stabil pozícióját, legfeljebb vállmagasságban vágjon.
- ✿ Tartsa be a gyártónak a lánc kenésével és élezésével kapcsolatos utasításait.
- ✿ Csak a gyártó által megadott vagy velük azonos tartalékláncot és -lemezt használjon.

## **Az üzemanyag kezelésével kapcsolatos utasítások**

A gép motorját úgy tervezték, hogy nagyon gyúlékony üzemanyag-keveréket használ. Siha ne tárolja az üzemanyagot edényt és ne töltsön üzemanyagot nyílt láng, kandalló, elektromos vezetékek, hegesztő munkák helyszíne és egyéb olyan hő- vagy tűzforrás közelében, amely gyulladást okozhat.

- ✿ A gép használata közben vagy üzemanyag töltéskor tilos a dohányzás.
- ✿ Üzemanyag töltésekor bizonyosodjon meg róla, hogy a gép ki van kapcsolva, és hogy a közelében nincs nyílt tűzforrás.
- ✿ Ha az üzemanyag a készülékre fröccsen, használjon száraz rongyot a foltok eltakarítására.
- ✿ Az üzemanyag töltés után csavarja vissza az üzemanyag-tartály fedelét, és vigye el a készüléket legalább 3 m-re attól a helytől, ahol az üzemanyagot beletöltötte, és csak azután indítsa be.

## 4. A GÉP LEÍRÁSA ÉS A CSOMAGOLÁS TARTALMA



Ábra 1

### A gép leírása (ld. 1. ábra)

- |                                   |                                   |
|-----------------------------------|-----------------------------------|
| 1. A gáz biztonsági biztosítóféka | 7. Lánc                           |
| 2. A gáz kezelése                 | 8. Vezetőléc                      |
| 3. Főkapcsoló                     | 9. Biztonsági fék                 |
| 4. Az üzemanyag-tartály dugója    | 10. Indítófogantyú                |
| 5. Az olajtartály dugója          | 11. A légszűrő fedelének csavarja |
| 6. Elülső fogantyú                | 12. A szivató kezelése            |
|                                   | 13. A gáz rögzítése               |

A csomag tartalma: Benzines fűrész, 405 mm-es lemez Oregon, Oregon lánc, a lemez műanyag fedele, kalibrált edény az üzemanyagkeverék elkészítéséhez, szerszámkészlet reszelővel.



## 5. A TÁMASZTÓFOGAK, A VEZETŐLEMEZ ÉS A LÁNC FELSZERELÉSE

**⚠ VIGYÁZAT!** A lánc felszerelésekor és ellenőrzésekor mindig használjon védőkesztyűt, nehogy a lánc éles pengéi sérülést okozzanak.

### A támasztófogak felszerelése

✿ A mellékelt hatlapú kulcs és csavar segítségével erősítse fel a támasztó fogakat, (2. ábra).

### A vezetőlemez és a lánc felszerelése

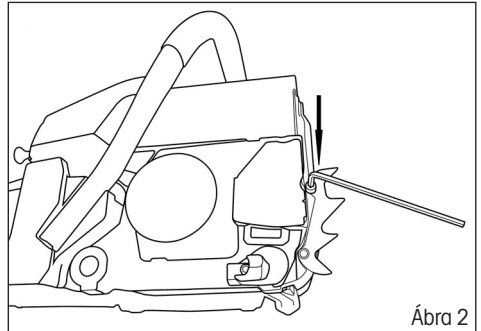
- ✿ A biztonsági fék karját (1. ábra 9. pont) ki kell oldani (húzza a felső fogantyú felé)
- ✿ Engedje ki a két anyát, és vegye le a lánckerék fedelét (3. ábra 1. pont).
- ✿ A láncot illessze rá a lemezre, majd fűzze rá a lánckerékre (fogaskerékre). Eközben tartsa a láncot a lemezen

**⚠ VIGYÁZAT!** A láncfeszítő csapnak (3. ábra 2. pont) bele kell illeszkednie a lemezen lévő nyílásba (3. ábra 3. pont). A csap pozícióját a láncfeszítő csavarral lehet állítani (5. ábra)

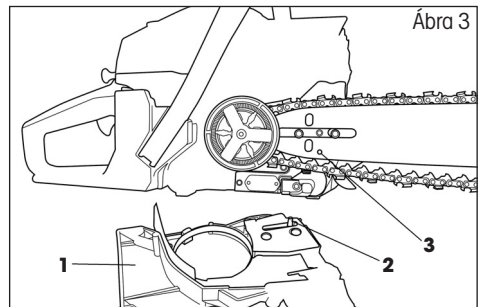
**⚠ VIGYÁZAT!** Figyeljen rá, hogy a lánc megfelelően legyen beleillesztve a lánckerék gyűrűjébe (4. ábra). Ha nem így van, az meghibásodást okozhat a fűrészben.

- ✿ Helyezze vissza a lánckerék fedelét. A csavarokat ne húzza meg teljesen, csak kézzel csavarja be, hogy a láncot meg lehessen feszíteni
- ✿ A láncot feszítse meg a feszítőcsavarral (5. ábra), és azután húzza meg a lánckerék fedelének anyacsavarját a mellékelt csöklőccsal

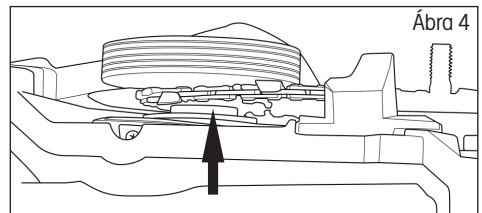
**⚠ VIGYÁZAT!** A lánc akkor van megfelelően megfeszítve, ha a láncot le tudja emelni a vezetőlemezről, és a magassága vízszintes állásban a vezetőlemez közepén 3 - 4 mm.



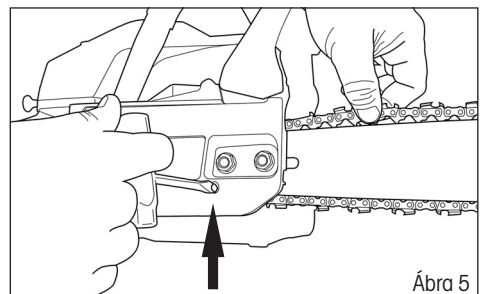
Ábra 2



Ábra 3



Ábra 4



Ábra 5

## 6. ÜZEMANYAG ÉS LÁNCKENŐ OLAJ

### A tartály feltöltése olajjal

**⚠ VIGYÁZAT!** Az új láncknak egy kis bejáratási időre van szüksége, ez mintegy 5 percig tart. Ebben a fázisban nagyon fontos a lánck olajozása. Miután ez az idő eltelt, ellenőrizze a lánck feszességét, és ha szükséges, végezze további beállításokat.

- ✿ A szállított fűrész olajtartálya üres. A fűrész első használata előtt tölts fel a tartályt olajjal.
- ✿ Kizárólag lánckenő olajat használjon
- ✿ Csavarozza le a töltőnyílás tetejét (6. ábra 1. pont).
- ✿ Öntsön a tartályba olajat (ügyeljen rá, hogy az olaj a tartály feltöltése közben ne szennyeződjön).
- ✿ Csavarozza vissza a töltőnyílás tetejét.
- ✿ A fűrész használata előtt az olajtartály nem lehet teljesen üres, ez a lemez és a lánck sérülését okozhatja.
- ✿ Az olajsintet a fedél lecsavarozása után vizuálisan lehet ellenőrizni.

**⚠ VIGYÁZAT!** Ne használjon használt vagy feldolgozott olajat, mert károsíthatja az olajszivattyút.

### Az üzemanyag-keverék elkészítése

**⚠ VIGYÁZAT!** Soha ne töltsön üzemanyagot az üzemanyagtartályba zárt és nem szellőző helyiségben.

**⚠ VIGYÁZAT!** Ne töltsön üzemanyagot nyílt láng vagy szikraforrás közelében.

**⚠ VIGYÁZAT!** Ne töltsön túl a tartályt. Mielőtt elindítja a motort, győződjön meg róla, hogy eltávolította a kifolyt üzemanyag maradványait.

**⚠ VIGYÁZAT!** Ha a motor forró, **NE TÖLTSSÖN BELE ÜZEMANYAGOT.**

- ✿ Az ilyen típusú kétütemű motorhoz olajmentes benzint és kétütemű motorhoz való olaj keverékét használjuk. A működés első két órájában 25:1, két óra eltelté után 40:1 arányt használjon.

**⚠ VIGYÁZAT!** Ha a keverék aránya eltér aránytól, a motor meghibásodhat. Bizonyosodjon meg róla, hogy a keverék megfelelő arányú-e.

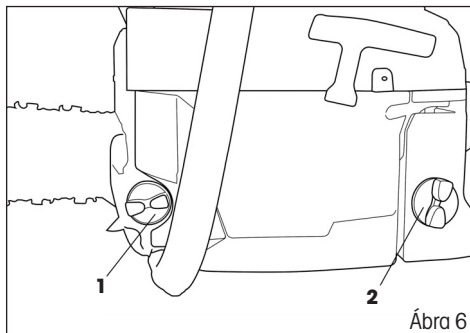
- ✿ Ha kétütemű motor számára benzint és motorolajat kever össze, csak olyan benzint használjon, amely nem tartalmaz ETANOLT vagy METANOLT (alkoholtípusok).
- ✿ 95-ös vagy magasabb oktánszámú jó minőségű benzint használjon. Ezzel megakadályozza az üzemanyagrendszer vagy a motor más részeinek meghibásodását.
- ✿ Az üzemanyag-keverék elkészítéshez javasoljuk, hogy a fűrész csomagolásában mellékelt kalibrált edényt használja. **NE KEVERJE A BENZINT ÉS OLAJT KÖZVETLENÜL AZ ÜZEMANYAG TARTÁLYBAN.**
- ✿ Csavarja le az üzemanyag-tartály kupakját (6. ábra 2. pont), és öntsön bele üzemanyagot. Ezután csavarja vissza a kupakot.

## Az üzemanyag tárolása

Az üzemanyagot csak tiszta, biztonságos, engedélyezett kannában tárolja. Tanulmányozza át és tartsa be az üzemanyagkanna típusára és elhelyezésére vonatkozó helyi előírásokat.

**⚠ VIGYÁZAT!** A kétütemű motorokhoz való üzemanyag szétválhat. Minden használat előtt minden üzemanyagkannát alaposan rázzon fel.

**⚠ VIGYÁZAT!** A tárolt üzemanyag elöregszik. Ne keverjen össze több üzemanyagot, mint amennyit feltételezhetően egy hónap alatt elhasznál.



Ábra 6

## 7. A HASZNÁLAT ELŐKÉSZÜLETEI

**⚠ FONTOS:** Ügyeljen az üzemanyag-keverék készítésére vonatkozó előírásokra! Az előírások be nem tartása a motor meghibásodásához vezethet! Ne használjon olyan üzemanyagot, amelyet már több mint két hónapja tárol. A két hónapon túl tárolt üzemanyag-keverék problémát okozhat indításkor, és a motor gyengébb teljesítményéhez vezethet. Ha az üzemanyag-keveréket több mint két hónapig tárolta, távolítsa el, és használjon új keveréket.

**⚠ VIGYÁZAT!** A benzines lánCFűrész használatát helyi előírások szabályozhatják.

- ✿ Ellenőrizze a gép sérült, elhasználódott vagy hiányzó alkatrészeit. Soha ne használja a gépet, ha sérült, rosszul van beállítva vagy hiányos
- ✿ Ellenőrizze, nem lazult-e ki egy csavar, anya vagy alkatrész. A kilazult csavarokat húzza meg.
- ✿ Ellenőrizze, nem szennyeződött-e a légszűrő. A munka megkezdése előtt a légszűrőből távolítsa el minden szennyeződést.
- ✿ Ellenőrizze a lánCFeszességét. A helyesen megfeszített lánCFot a vezetőlemezről vízszintes állásban a vezetőlemez közepén nagyjából 3 - 4 mm magasságba fel tudja emelni
- ✿ Tartsa a fogantyút szárazon, tisztán, olaj- és üzemanyagfoltoktól mentesen.
- ✿ Győződjön meg róla, nem szökik-e az üzemanyag a tartályból.
- ✿ Ellenőrizze a munkafelületet, a vágandó tárgyat és a vágás irányát. Távolítsa el az akadályokat.
- ✿ Soha ne kezdje el a munkát, amíg a munkafelület nem tiszta, nem stabilizálta a helyzetét és nincs tervezett menekülő útvonala a zuhanó fa elöl.
- ✿ Különösen figyeljen rá, és tartsa távol a környezetében lévő vagy háziállatokat, mégpedig legalább 2,5-szer olyan távolságra, mint amekkor a vágandó tárgy.

**⚠ FIGYELMEZTETÉS:** A javasolt lemez és lánCFkombinációt a 14. fejezetben megadott műszaki paraméterek határozzák meg. A fűrészelt ne használja 18" (45 cm) hosszúságot meghaladó lemezzel. Hosszabb lemez használata jelentős teljesítménycsökkenéshez vezethet.

**Láncfék (1. ábra 9. pont)**

Ez a fűrész automatikus fékkel van ellátva, amely megállítja a lánc forgását, ha a fűrész működés közben visszaüt. A fék automatikusan bekapcsol, ha a tehetetlenségi erő az első fedél alatt lévő súlyra hatást gyakorol. Ez a fék kézzel is kezelhető, ha az elülső védőkeretet lehajítja a lemez felé. A fék újra kienged, ha az elülső védőkeretet újra a fűrész fogantyúja felé húzza.

**⚠ VIGYÁZAT!** Minden használat előtt ellenőrizze a következő módon, hogy a láncfék működőképes.

**A fék működésének ellenőrzése**

- ☼ Tegye a fűrész működés közben a földre, és 1 - 2 másodpercig hagyja menni maximális fordulatszámon.
- ☼ Tolja a fékkart (1. ábra 9. pont) előre. A láncnak azonnal meg kell állnia.

**⚠ VIGYÁZAT!** Ha a lánc lassan áll meg vagy egyáltalán nem, ne használja a fűrész, és vegye fel a kapcsolatra a szakszervizzel.

- ☼ Ha szeretné a féket kiengedni, húzza a fékkart a felső fogantyú felé, míg meghallja a jellemző kattantást .

**⚠ VIGYÁZAT!** Bizonyosodjon meg róla, hogy a láncfék működése rendben van. A megfelelően működő láncfék megvédi a visszaütés okozta véletlen sérüléstől. Amennyiben a fék nem működik megfelelően, a beállítását vagy javítását bízza szakszervizre.

## 8. A FŰRÉSZ BEINDÍTÁSA ÉS KIKAPCSOLÁSA

**⚠ FIGYELMEZTETÉS**

- ☼ Mielőtt beindítja a motort, győződjön meg róla, hogy a lánc szabadon mozog a lemezen, és nem érintkezik semmilyen idegen tárggyal.
- ☼ A motor minimális fordulata mellett a fűrész láncának nem szabad forognia. Ellenkező esetben forduljon szakszervizhez, hogy ellenőrizték, és elhárítsák a problémát.
- ☼ Mielőtt beindítja a motort, győződjön meg róla, hogy a gázkar szabadon mozog.

**⚠ FIGYELMEZTETÉS:** A rázkódás árthat annak, akinek a keringési rendszerével vagy idegrendszerével problémái vannak. Ha fizikai tünetek jelennek meg, például érzéketlenség, az érzékenység csökkenése, erőtlenség, vagy színelváltozás a bőrön, forduljon orvoshoz. Ezek a tünetek általában az ujjakon, a kézen és a csuklón jelennek meg.

**A hideg motor beindítása**

1. Állítsa a főkapcsolót felső állásba (7. ábra 1. pont)
2. Húzza ki a szívatókart (7. ábra 2. pont), de ne nyúljon a gázkarhoz.
3. A fűrész támogatja nekí a földnek, hogy stabil legyen, és húzza meg az indítószinórt, amíg a motor fel nem pörög (a motor készül beindulni) (8. ábra).
4. Ebben a pillanatban nyomja le a szívató (7. ábra 2. pont) karját "vissza, és az indítószinór többszöri meghúzásával indítsa be a motort.

**⚠ VIGYÁZAT!** A motor túl hosszú ideig tartó forgatása kihúzott szívatókkal a motor elárasztása miatt problémát okoz az indításnál.

5. A munka megkezdése előtt hagyja, hogy a motor néhány perc alatt üzemi hőfokra melegegjen.

### A bemelegített motor indítása

1. Állítsa a felső kapcsolót (7. ábra 1. pont) felső állásba
2. Húzogassa az indítószinór fogantyúját, amíg a motor be nem indul (8. ábra)  
NE HASZNÁLJON SZÍVATÓT!

**⚠ VIGYÁZAT!** Ha az üzemanyagtartályból teljesen kifogyott az üzemanyag, feltöltés után A HIDEG MOTOR BEINDÍTÁSÁRA szolgáló lépéseket ismételje meg.

### A forgás szabályozása

- ☼ A fordulatszám növeléséhez először nyomja meg a tenyerével a gáz biztonsági biztosítékát (7. ábra 4. pont), majd a hüvelykujjával nyomja meg a gázkezelő kart (ld. 7. ábra 5. pont)
- ☼ A fordulatszám csökkentéséhez engedje el a gázkezelő kart

### A motor megállítása

- ☼ Engedje el a gázkezelő kart (7. ábra 5. pont), és állítsa a főkapcsolót „Stop” állásba (1. ábra 1. pont).

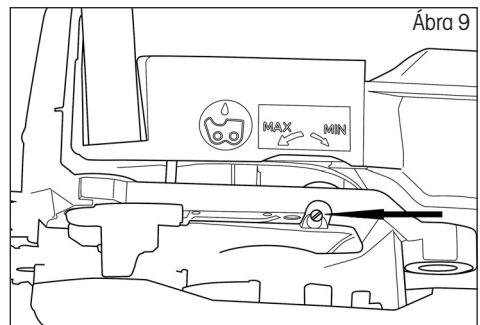
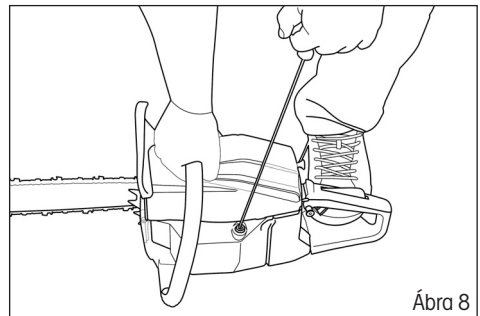
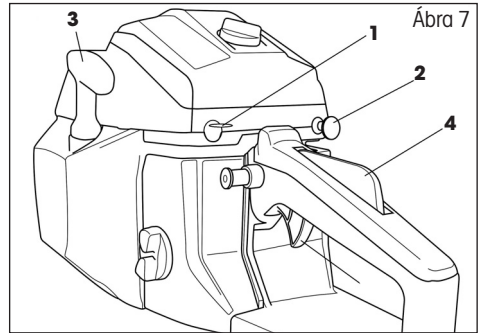
### ⚠ FIGYELMEZTETÉS

A motorból származó kipufogógáz az egészségre ártalmas vegyi anyagokat tartalmaz. Soha ne lélegezze be ezt a gázt. A fűrész mindig épületen kívül indítsa be.

### A lánc olajozásának ellenőrzése

**⚠ VIGYÁZAT!** Tartsa be a biztonsági intézkedéseket, és akadályozza meg, hogy a vezetőlemez érintkezzen a terület felületével. Biztonságosan használja ezt a szerszámot, és tartsa be a földtől a 20 cm-es minimális távolságot.

- ☼ A munka megkezdése előtt ellenőrizze a lánc olajozását, és az olaj mennyiségét a fűrész tartályában. Kapcsolja be a fűrész, és tartsa a föld



felett. Ha növekvő olajfoltokat lát, a fűrész olajozása megfelelő. Ha a földön nincsenek olajfoltok, állítsa be a kenés erejét a fűrész alsó oldalán (9. ábra)

- ☼ Ha a láncceszesség ekkor sem kap megfelelő kenést, tisztítsa meg az olajkivezető nyílást (a lánccerék fedele alatt), a láncceszítő felső nyílását és az olajvezetékét, vagy vegye fel a kapcsolatot a szakszervizzel.

## 9. A LÁNCCESZESSÉGÉNEK BEÁLLÍTÁSA

**⚠ VIGYÁZAT!** A működés során a magas hő hatására a láncceszesség meggyűlhet. A hosszabb láncceszesség kiszabadulhat, és lecsúszhat a vezetőlemezzel.

- ☼ Engedje ki a lánccerék fedelét tartó anyát.
- ☼ Bizonyosodjon meg róla, hogy a láncceszesség be van illesztve a vezetőlemez vezetővágatába.
- ☼ A láncceszítő beállító csavar (5. ábra) elforgatásához használjon csavarhúzóval. Forgassa a beállítócsavart, amíg a láncceszesség el nem éri a kívánt feszességet (a láncceszesség a vezetőlemezzel vízszintes állásban a vezetőlemez közepén 3 - 4 mm magasságba tudja emelni).
- ☼ Erősen húzza meg a vezetőlemez feszítőanyáját.

**⚠ VIGYÁZAT!** A láncceszességet ne feszítse meg túlságosan. A felmelegedett láncceszesség túlzott feszítésével túlzott feszességet okoz kihűlés után.

## 10. VÁGÁS

**⚠ VIGYÁZAT!** Mielőtt folytatja, olvassa el a „Biztonsági előírások” fejezetet. Javasoljuk, hogy először kisebb hasábokon gyakoroljon. Így megismerkedik a fűrésszel.

- ☼ Mindig tartsa be a biztonsági utasításokat. A láncceszességet csak fa vágására szabad használni. Más anyagot vágni tilos. A rezgés és a visszaütés anyagoként különbözik. A fűrésszel ne használja tárgyak felemelésére, áthelyezésére vagy szétfőrésére. Tilos a fűrészhöz a műszaki dokumentációban feltüntetettéktől eltérő alkatrészeket vagy készítményeket csatlakoztatni.
- ☼ A fűrésszel nem kell a vágatba nyomni. Ha a motor teljes sebességgel megy, a fűrésszel csak enyhén nyomja.
- ☼ Ha a láncceszesség megakad a vágatban, ne próbálja húzással kiszabadítani, hanem feszítse szét a vágatot egy ékkel vagy bottal.

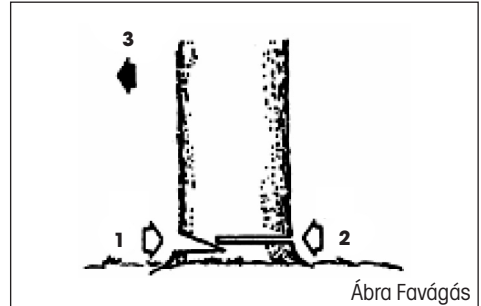
### Biztonsági fék (védelem visszaütés ellen)

- ☼ Ez a fűrészláncceszesség elleni védelem, ami, ha megfelelően működik, megállítja a láncceszességet, amint a fűrészláncceszesség visszaüt. A láncceszesség működését a fűrészláncceszesség minden használata előtt ellenőrizni kell. A fűrészláncceszesség 1–2 másodpercre kapcsolja be teljes sebességre, majd hajtja le az első védőfedeleket. A láncceszességnek azonnal meg kell állnia, miközben a motor teljes fordulatszámon van. Ha a láncceszesség lassan áll meg vagy egyáltalán nem, vegye fel a kapcsolatot a szakszervizzel.

- ✿ Rendkívül fontos, hogy minden használat előtt ellenőrizze a láncfék működését és a lánc köszörültségi állapotát, hogy gondoskodjon a fűrész megfelelő biztonsági állapotáról visszaüteskor. Ha eltávolítja a biztonsági tartozékot, helytelenül végzi a karbantartást vagy nem megfelelő lemezt vagy láncot használ, súlyos balesetveszélynek teszi ki magát visszaütés esetén.

### Favágás

- ✿ Amikor a fa dőlési irányáról dönt, vegye figyelembe a szél irányát, a fa hajlását, és az ágak helyzetét, és mérlegeljen minden más tényezőt, mielőtt belefog a munkába.
- ✿ A fa körüli területet tegye szabaddá, akadálymentessé, hogy stabilan tudjon állni. A menekülő útvonal járható legyen.
- ✿ A törzs átmérőjének harmadáig tegyen egy ék formájú bevágást arról az oldalról, amerre a fát dönteni szeretné. (ld. Favágás ábra, 1. pont)
- ✿ A másik oldalról végezzen egy elválasztó vágást az ék formájú bevágás szintje alatt. (ld. Favágás ábra, 2. pont)
- ✿ A fa az ék formájú bevágás irányába fog dőlni. (ld. Favágás ábra, 3. pont)



- ⚠ **VIGYÁZAT!** Favágáskor figyelmeztesse az esetleges veszélyre a környéken tartózkodó személyeket. A favágás gyakorlatot igényel, és megfelelő tapasztalat nélkül nem javasoljuk végezni.

### Hasábok aprítása

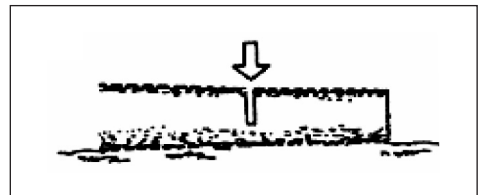
- ⚠ **VIGYÁZAT!** Mindig álljon stabilan. Ne lépjen rá a hasábokra.

- ⚠ **VIGYÁZAT!** A munka megkezdése előtt bizonyosodjon meg róla, hogy minden alkatrész a helyén van, és minden csavar és anya meg van húzva.

- ✿ A vágott hasáb elgurulhat. Különösen ha lejtőn aprít, mindig a vágott hasáb felett álljon.
- ✿ Előzze meg a fűrész visszaütését azzal, hogy követi a „Biztonsági utasítások” fejezetben leírt instrukciókat.
- ✿ A munka megkezdése előtt mérje fel az aprítandó törzs meghajlását okozó erő irányát. Az utolsó vágást mindig ellenkező irányból ejtse meg, mint amerre a hajlító erő hat, nehogy beakadjon a lemez a vágatba.
- ✿ A fűrész csak úgy vigye máshová, ha a motor ki van kapcsolva, a védőfedél pedig óvja a lemezt.

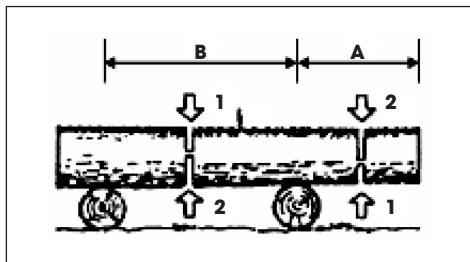
### Földön fekvő hasáb

- ✿ Vágja át a közepéig, majd fordítsa meg, és vágja tovább a másik oldala felől.



### Föld fölött lévő hasáb

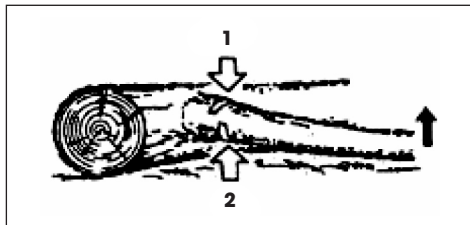
- ✿ Az „A” részben vágja alulról a hasáb harmadáig, majd fejezze be a vágást felülről. A „B” részben vágja felülről a hasáb harmadáig, majd fejezze be a vágást alulról.



### Kidőlt fa legallyazása

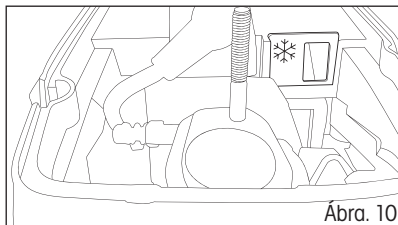
- ✿ Először állapítsa meg, merre hajlanak az ágak. Aztán tegyen egy kezdővágást a hajlás oldaláról, majd fejezze be a vágást az ellenkező oldalról.

**⚠ VIGYÁZAT!** A meghajlott ág kicsapódhat.



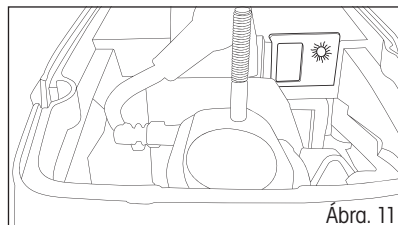
### 0° alatti hőmérséklet esetén

- ✿ Állítsa a légszűrő mögötti kapcsolót téli állásba, ld. 10. ábra. A téli állás „hópihe” ikonjának láthatónak kell lennie. Ebben az állásban a hideg levegővel melegeit is szív a henger közeléből, így a karburátorban nem képződik jég.



Ábra. 10

- ✿ **+10°C feletti hőmérséklet esetén állítsa vissza a kapcsolót nyári állásba, nehogy a túlmelegedés miatt a motor meghibásodjon. A nyári állás „nap” ikonjának láthatónak kell lennie, ld. 11. ábra.**



Ábra. 11

## 11. A SZERSZÁM TISZTÍTÁSA ÉS KARBANTARTÁSA

**⚠ VIGYÁZAT!** A fűrészt tisztítása, ellenőrzése vagy javítása előtt a motornak kikapcsolt állapotban és hidegnek kell lennie, és ki kell venni az izzógyertyát, nehogy magától beinduljon.

### Karbantartás minden használat után

- ✿ Szerelje le a lemezt, és az egész fűrészt tisztítsa meg egy kefével a leülepedett fűrészportól. A lecsapódott szennyeződés eltávolításához használhat kaparót vagy csavarhúzó.



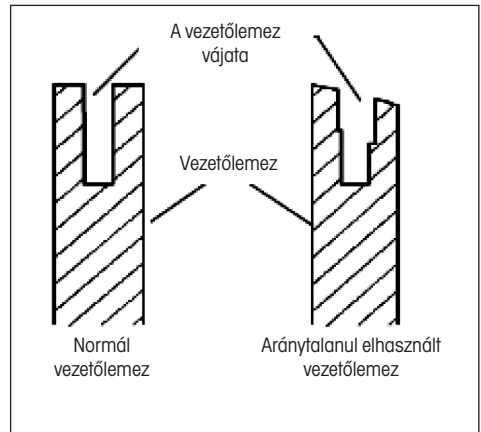
- ✿ A légszűrő:  
Lazítsa ki a csavart (1. ábra, 11. pont) és vegye le a légszűrő fedelét. Vegye ki a szűrőbetétet, és egy kefével távolítsa el a leülepedett port. Ha a szűrőbetétet belepte a por, vegye szét két részre, és mossa át benzinben. Ha sűrített levegőt használ, belülről kifelé fúvassa.
- ✿ Kenőnyílás:  
Szerelje le a lemezt, és ellenőrizze, átjárható-e a kenőnyílás.
- ✿ Vezetőlemez:  
A lemez leszerelése után távolítsa el a port a vágatokból és a kenőnyílásból.
- ✿ A többi rész:  
Ellenőrizze az esetleges olajszivárgást, a kilazult rögzítéseket és a sérült fő alkatrészeket, különösen a fogantyú és a lemez rögzítésénél. A felfedezett hibákat ki kell javítani, mielőtt a fűrészt újra használja.

### A láncfűrész testének tisztítása

Tartsa a láncfűrész testét tisztán. A tisztításhoz puha, szappanos oldatban megnedvesített rongyot használjon. Ezzel a ronggyal óvatosan tisztítsa meg a láncfűrész testét.

### A vezetőlemez karbantartása

- ✿ A vezetőlemez legtöbb hibája az aránytalan elhasználódás következménye. Az aránytalan elhasználódást többnyire az okozza, hogy nem megfelelő a lánc élézése és mélységhatároló beállítása. A lemez aránytalan elhasználódása következtében a vezetővajat kitágul (ld. Ábra). Ennek eredménye a lánc zörgése és a szegecsek kiesése. A fűrésszel nem lehet egyenesen vágni. Ilyen esetben cserélje ki a vezetőlemezt újra.
- ✿ A lánc élézése előtt mindig ellenőrizze a vezetőlemez állapotát. Az elhasználódott vagy meghibásodott lemez használata nagyon veszélyes. Az elhasználódott vagy meghibásodott lemez használata a lánc meghibásodásához vezet. Ilyen szerszámmal vágni jóval nehezebb és fárasztóbb.



### A vezetőlemez normál karbantartása

- ✿ Szerelje le a vezetőlemezt a láncfűrész testéről.
- ✿ A vezetőlemez vágatából rendszeresen távolítsa el a fűrészport. A tisztításhoz használjon kaparót vagy drótot.
- ✿ Az olajos vágatot minden munkanap befejezése után tisztítsa meg.
- ✿ A vezetőlemezt cserélje ki, ha:
  - ha elferdült vagy megrepedt
  - ha a vajat súlyosan sérült vagy elhasználódott

**MEGJEGYZÉS:** A vezetőlemez kicserélésekor a jelen kézikönyv utasításai szerint járjon el. A megfelelő lemezípus megtalálja a műszaki adatok áttekintésében.

## 12. A FÜRÉSZLÁNC ÉLEZÉSE

A fűrészláncot tartsa élveze. A vágás sokkal gyorsabb és mindenk előtt biztonságosabb lesz. A tompa lánc gyorsítja a lánckerék, a lánc és a meghajtó elhasználódását. Ha a fűrész t nyomnia kell, és vágáskor csak fűrészpor és pár forgács látható, azt jelenti, hogy a lánc tompa.

**Javasoljuk, hogy ehhez lépjen kapcsolatba a szakszervizzel**

### A fűrészlánc élezéséhez elengedhetetlen felszerelés

- ✿ Kerek reszelő ld. műszaki paraméterek specifikációja
- ✿ Mélységátaroló
- ✿ Reszelősablon
- ✿ Satu
- ✿ Közepes méretű lapos reszelő

### A lánc szemekének élezése

Használja a reszelőszerszámot 30° szög alatt (A jel, ld. ábra).

- ✿ Állítsa a fűrészlánc hajlásszögét a megfelelő szintre.
- ✿ Rögzítse a vezetőlemez t satuba, hogy a lánc stabil pozícióban legyen.

**MEGJEGYZÉS:** Magát a láncot ne fogja be.

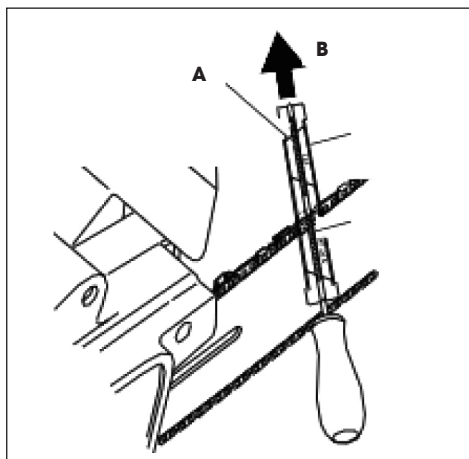
- ✿ Nyomja be a vezetőben lévő kerek reszelőt a felső lemez és láncon lévő mélységátaroló közti vágatba. A láncnak mind a felső lemezt, mind a mélységátarolót érintenie kell (ld. ábra).

**MEGJEGYZÉS:** Csiszolja a vezetőlemez közepét.

**MEGJEGYZÉS:** Az ábrán látja a reszelősablon elhelyezkedését, és a lánc baloldalán lévő szemek csiszolását.

- ✿ Helyezze a reszelő vezetőjét megfelelő szögbe (A jel, ld. ábra). Bizonyosodjon meg róla, hogy a 30° jel a vezetőn egy vonalban van a vezetőlemez közepével. Így biztos lehet benne, hogy 30°-os szög alatt fog reszelni.
- ✿ Reszelje a fogat belülről kifelé (B irányba, ld. ábra), amíg éles nem lesz. Csak ebbe az irányba reszeljen.

**MEGJEGYZÉS:** A fog élezéséhez elég két vagy három húzás a reszelővel.

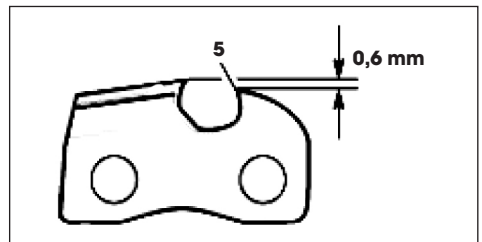
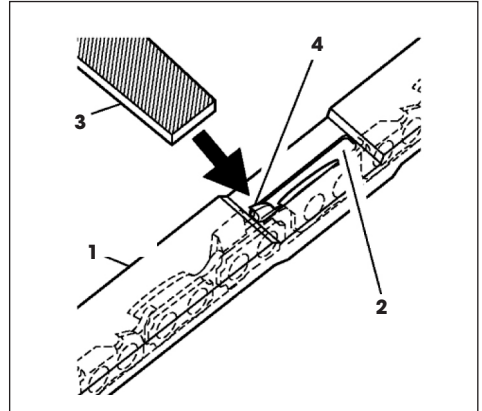


## A mélységghatóró reszelése

A lánc fogainak élezése azt eredményezi, hogy a mélységghatóró toleranciája csökken. Minden második vagy harmadik élezés után módosítani kell a mélységghatóró beállítását.

- ✿ Helyezze el a mélységghatóró beállító szerszámot (ld. ábra 1. pont) stabilan két fog felső élén. Bizonyosodjon meg róla, hogy a szerszám vájata beilleszkedett a mélységghatóró vájatába (ld. ábra 2. pont)
- ✿ Használja a közepes méretű lapos reszelőt (ld. ábra 3. pont). Reszelje a mélységghatórolót (ld. ábra 4. pont) a mélységghatóró-beállító szerszám szintjéig.
- ✿ Vegye le a mélységghatóró beállító szerszámot. A lapos reszelő segítségével kerekítse le a mélységghatóró elülső élét (ld. ábra). A köszürülés során tartsa be az előírt értékeket (ld. ábra 5. pont).

**MEGJEGYZÉS:** Néhány kézi élezést követően adja be a fűrészláncot a szakszervizbe élezni, vagy élezze meg speciális élezőgéppel. Ezzel újra egyenletesség teheti minden fog élét.



# 13. A FÜRÉSZLÁNC CSERÉJE

**⚠ VIGYÁZAT!** A fűrészlánc kicserélésekor se a láncfűrész, se a vezetőlemez ne fogja be satuba.

A láncot mindig cserélje ki, ha a fogai túlságosan elhasználódtak, és nem lehet megélesíteni, vagy ha a lánc elpattan. Csak eredeti, a jelen használati útmutatóban feltüntetett specifikáció szerinti tartalékláncot használjon. A lánc cseréjekor mindig cserélje ki a lánckerék fogaskerekét is. Ezzel biztosíthatja, hogy a lánc megfelelő pozícióban lesz mozgás közben. (Megjegyzés: A megfelelő típusú lánc és fogaskerék specifikációját megtalálja a műszaki adatok áttekintésében.)

- \* Lazítsa ki és vegye ki a vezetőlemez csavarját.
- \* Vegye le a lánckerék fedelét.
- \* Vegye le a fűrészláncot.
- \* Forgassa el az új láncot a fogaskerék körül, aztán a vezetőlemez felső vágata mentén, majd a vezetőlemez hegye körül.

**⚠ VIGYÁZAT!** Bizonyosodjon meg róla, hogy a lánc vágófogai megfelelő irányba néznek. A láncot úgy helyezze el, hogy a fogak a lemez felső oldalán a lemez elülső pereme felé nézzenek (ld. ábra).

- \* Mielőtt a lánckerék fedelét a helyére teszi, ellenőrizze, hogy a láncceszítő szabályozó hegye a vezetőlemez szabályozó nyílásába van dugva.
- \* Helyezze vissza a lánckerék fedelét a fűrésztestre.
- \* Rögzítse a lánckerék fedelét a vezetőlemez csavarjával.

**⚠ VIGYÁZAT!** A csavart csak kézzel húzza meg.

- \* Állítsa be a fűrészlánc feszességét.
- \* Húzza de teljesen a vezetőlemez csavarját.

**⚠ VIGYÁZAT!** Bizonyosodjon meg róla, hogy a fűrészláncot nem fordított irányban helyezte a vezetőlemezre. Ellenkező esetben a fűrész erősen rezegni fog, és nem vág.



# 14. KARBANTARTÁSI TÁBLÁZAT

Vegye figyelembe, hogy a megadott karbantartási időközök csak normál munkafeltételekre érvényesek. Ha a napi munkája az átlagosnál jobban igénybe veszi a gépet, ennek megfelelően a karbantartások között rövidebb időközöket kell tartani.		Minden használat előtt	Minden alkalommal, amikor üzemanyag töltés miatt szünetet tart	Minden héten	Hiba vagy sérülés esetén	Szükség szerint
Egész gép	Ellenőrizni: szívárgást, repedéseket, kopást	X	X			
Ellenőrzés: kapcsoló, indítómotor, gázkar és gázrögzítő kar	A működés ellenőrzése	X	X			
A láncfék	A működés ellenőrzése	X	X			
	Szakszerviz általi ellenőrzés				X	
Üzemanyag-tartály és olajtartály	Ellenőrizni: szívárgást, repedéseket, kopást	X	X			
Üzemanyagszűrő	Ellenőrzés és tisztítás			X		
	A szűrőegység cseréje				X	Minden 6 hónapban
A lánc kenése	A teljesítmény ellenőrzése	X	X			
Lánc	Ellenőrizni: sérülést, élezést, kopást	X	X			
	Feszesség ellenőrzése	X	X			
	Élezés: ellenőrizni a csiszolás mélységét				X	
Betétféc	Ellenőrizni: sérülést és kopást	X	X			
	A tárcsák és az olajvezeték tisztítása	X				
	Megfordítás, a hajtókerék kenése és a forgács eltávolítása			X		
	Csere				X	
Lánckerék	Ellenőrizni: sérülést és kopást			X		Kicserélni minden új láncsal
Összekötő	Ellenőrizni: sérülést és kopást			X		
	Csere				X	
Láncfogó	Ellenőrizni: sérülést és kopást	X	X			
	Csere				X	
Minden elérhető csavar és anya (a karburátor csavarjai kivételével)	Ellenőrizni és meghúzni			X		
Légszűrő	Kitisztítani	X				
	Csere				X	Minden 6 hónapban
A hengerbordák és nyílások az indítómotor fedelén	Kitisztítani			X		
Indítózsín	Ellenőrizni: sérülést és kopást			X		
	Csere				X	
Karburátor	Ellenőrizni a minimális fordulatszámot (a lánc minimális fordulatszámán nem foroghat)	X	X			
Gyertya	Ellenőrizni az elektródák távolságát			X		
	Csere				X	Minden 6 hónapban
Rezgésgátló rendszer	Ellenőrizni: sérülést és kopást			X		

# 15. HIBAEELHÁRÍTÁS

**FIGYELEM:** az egységet mindig kapcsolja ki, és szüntesse meg a gyújtógyertya csatlakozását, mielőtt a táblázatban javasolt ellenőrzéseket elkezdi, kivéve azokat az eseteket, amelyekben működő egységre van szükség.

Ha minden lehetséges okot megvizsgál, és nem sikerült megoldani a problémát, vegye fel a kapcsolatot szakszervizzel. Ha olyan problémával találkozik, amelyről a táblázatban nem esik szó, vegye fel a kapcsolatot szakszervizzel.

PROBLÉMA	LEHETSÉGES OKOK	MEGOLDÁS
A motort nem lehet beindítani, illetve az indítás után néhány másodperccel kikapcsol. (Győződjön meg róla, hogy a főkapcsoló „I” helyzetben van)	<ol style="list-style-type: none"> <li>1. A gyertya nem ad szikrát</li> <li>2. A motor túlszívta magát</li> </ol>	<ol style="list-style-type: none"> <li>1. Ellenőrizze a gyertya szikráját. Ha a gyertya nem ad szikrát, ismételje meg a kísérletet új gyertyával (WXL7T).</li> <li>2. Vegye ki a gyertyát és húzza meg néhányszor az indítót. Azután szerelje vissza a megtisztított gyertyát és indítson szívató nélkül.</li> </ol>
A motor beindul, de nem növeli megfelelően a fordulatszámot vagy magas fordulatszámon nem működik megfelelően.	Állítsa be a karburátort.	Vegye fel a kapcsolatot a szakszervizzel a karburátor beállítása céljából
A motor nem éri el a teljes fordulatszámot és/vagy túlságosan füstöl.	<ol style="list-style-type: none"> <li>1. Ellenőrizze az olaj és benzin keverékét.</li> <li>2. Szennyeződött légszűrő.</li> <li>3. Állítsa be a karburátort.</li> </ol>	<ol style="list-style-type: none"> <li>1. Használjon új, kétütemű motorhoz való benzint és olajat.</li> <li>2. Tisztítsa meg; ld. a 11. fejezet.</li> <li>3. Vegye fel a kapcsolatot a szakszervizzel a karburátor beállítása céljából.</li> </ol>
A motor beindul, működik és gyorsul, de nem tartja az üresjáratú fordulatszámot.	Állítsa be a karburátort.	Forduljon hivatalos szakszervizhez a karburátor beállításáért.
A lemez és a lánc működés közben felforrósodik és füstöl	<ol style="list-style-type: none"> <li>1. A lánc olajtartálya üres</li> <li>2. A lánc túl feszes</li> <li>3. A kenőrendszer rossz működése</li> </ol>	<ol style="list-style-type: none"> <li>1. Az olajtartályt minden alkalommal újra kell tölteni, amikor az üzemanyagtartályt tölti.</li> <li>2. A lánc megfeszítése; ld. 5. fejezet utasításait</li> <li>3. Hagyja maximális fordulatszámon futni 15-30 másodpercig. Állítsa meg és ellenőrizze, csepeg-e az olaj a lemez csúcsáról. Ha van ott olaj, a hibás működést a laza lánc vagy a sérült lemez okozza. Ha nem csepeg olaj, forduljon szakszervizhez</li> </ol>
A motor beindul, de a lánc nem forog. <b>FIGYELEM:</b> ha a motor működik, soha ne érjen hozzá a lánchoz	<ol style="list-style-type: none"> <li>1. A láncfék be van kapcsolva</li> <li>2. A lánc túl feszes</li> <li>3. A lemez és a lánc felszerelése</li> <li>4. Sérült lánc és/vagy lemez</li> <li>5. Sérült kuplung és/vagy fogaskerék</li> </ol>	<ol style="list-style-type: none"> <li>1. Kapcsolja ki a láncféket; ld. 7. fejezet.</li> <li>2. A lánc megfeszítése; ld. 9. fejezet.</li> <li>3. Ld. 5. fejezet.</li> <li>4. Ld. 11. és 13. fejezet.</li> <li>5. Szükség esetén cserélje ki; vegye fel a kapcsolatot szakszervizzel</li> </ol>

## 16. MŰSZAKI ADATOK

Típus.....	FZP 5016 B
Motor.....	50,4 cm <sup>3</sup>
A motor maximális teljesítménye.....	2,0 kW / 11 500 rpm
A motor maximális sebessége vágófejjel.....	11 500 rpm
A motor maximális sebessége szabadon futva.....	3 000 rpm
A vezetőlemez hossza.....	405 mm
Vágóhossz.....	345 mm
A lánc osztása.....	0,375 inch
A vezetővóját szélessége.....	1,5 mm
Vezető láncszemek száma.....	57
A reszelő átmérője.....	4 mm
Tömeg (a lemez és a lánc nélkül).....	5,75 kg
Méreték (a lemezzel és a láncsal együtt).....	790 x 235 x 245 mm
Üzemanyag-keverék (benzin : olaj).....	40:1
Az üzemanyagtartály tárolókapacitása.....	540 ml
Az olajtartály tárolókapacitás.....	240 ml
A lánc kenéséhez használt olaj.....	lánckenő olaj
A lánckenés rendszere.....	automatikus pumpa beállítási lehetőségekkel
Akusztikai nyomásszint.....	115dB(A)
Az akusztikai teljesítmény garantált szintje.....	LwA: 108dB(A)
Rezgés* - első fogantyú.....	7,212 m/s <sup>2</sup>
Rezgés* - hátsó fogantyú.....	6,530 m/s <sup>2</sup>

Gyártás éve: 2016

\* Ha azt tapasztalja, hogy a fogantyúra átvitt rezgés jelentősen erősödött ahhoz képest, amikor a fűrész új volt, ellenőrizze a szilentblokkok (gumis rögzítőelemek) elhasználódását, szükség esetén forduljon szakszervizhez és cseréltesse ki őket.

**⚠ VIGYÁZAT!** A rosszul működő rezgéscsillapító rendszerű lánccűrőrésszel végzett munka egészségügyi problémákat okozhat

# 17. MEGSEMMISÍTÉS

## **A HASZNÁLT CSOMAGOLÓANYAGOKRA VONATKOZÓ UTASÍTÁSOK ÉS TÁJÉKOZTATÓ**

A használt csomagolóanyagot az önkormányzat által kijelölt hulladékgyűjtő helyen adja le.



A gép és tartozékai különböző anyagokból, pl. fémből és műanyagból készültek.  
A sérült alkatrészeket adja le szelektív gyűjtőhelyen. Tájékozódjon az illetékes hivatalnál.



Ez a termék teljesíti az összes rá vonatkozó EU irányelv követelményeit.

Változtatások a szövegben, a kivitelben és a műszaki jellemzőkben előzetes figyelmeztetés nélkül történhetnek, a módosításra vonatkozó jog fenntartva.

Használati útmutató az eredeti nyelven.



# 18. MEGFELELŐSÉGI NYILATKOZAT

## EK Megfeleléségi Nyilatkozat

A Fast ČR, a. s., Černokostecká 251 01 Říčany u Prahy, telefon: 323204111, büntetőjogi felelőssége tudatában kijelenti, hogy a Fieldmann FZP 5016-B benzines fűnyíró (a gyártás éve a típuscímkén van feltüntetve, amit a gép gyártási száma követ) teljesíti a TANÁCS alábbi IRÁNYELVEINEK követelményeit

A gépekről (MD) szóló 2006/42/EK (98/37/EDC) számú EK irányelv  
Az elektromágneses kompatibilitásról (EMC) szóló EK irányelv  
A zajkibocsátásról (ND) szóló 2005/88/EK (2000/14/EK) számú EK irányelv  
A szennyezőanyag-kibocsátásról szóló 2002/88/EK

és az alábbi normák szerinti tesztelésen ment keresztül:

EN ISO 11681-1:2011  
EN ISO 14982:1998; EN ISO 14982:2009  
EN ISO 3744:2010  
ISO 9207:1995  
Műszaki adatok:

50,4 cm<sup>3</sup>, 2,0 kW

CE jelölés: 15

Říčany, 2015. november 29.

név bélyegző aláírás

Petr Uher  
Minőségügyi menedzser

**FAST** FAST ČR, a.s. ©  
Černokostecká 1621  
251 01 Říčany u Prahy  
ICO: 26726548 tel.: +420/ 323 204 111  
DIČ: CZ26726548 fax: +420/ 323 204 110





# Pilarka łańcuchowa

## INSTRUKCJA OBSŁUGI

**Dziękujemy za zakupienie tej pilarki łańcuchowej. Zanim zaczniesz z niej korzystać, przeczytaj uważnie niniejszą instrukcję obsługi i zachowaj ją do wglądu.**

### SPIS TREŚCI

1. OGÓLNE ZASADY BEZPIECZEŃSTWA.....	109
Ważne instrukcje dotyczące bezpieczeństwa .....	109
Opakowanie.....	109
Instrukcja obsługi.....	109
2. WYJAŚNIENIE TABLICZEK ZE WSKAZÓWKAMI ZNAJDUJĄCYCH SIĘ NA MASZYNIE.....	110
3. WSKAZÓWKI BEZPIECZEŃSTWA .....	111
Przed użyciem urządzenia .....	111
Bezpieczeństwo obsługi, wyposażenie i odzież robocza .....	111
Wskazówki dotyczące postępowania się paliwem .....	113
4. OPIS URZĄDZENIA I ZAWARTOŚĆ DOSTAWY .....	114
Opis maszyny (por. Rys. 1).....	114
5. INSTALACJA PIĘTEK ZĘBATYCH, PROWADNICY I ŁAŃCUCHA .....	115
Instalacja piętek zębatych .....	115
Instalacja prowadnicy i łańcucha .....	115
6. PALIWO I OLEJ DO SMAROWANIA ŁAŃCUCHA .....	116
Dolewanie oleju do zbiornika .....	116
Przygotowanie mieszanki paliwowej .....	116
Przechowywanie paliwa.....	117
7. PRZYGOTOWANIE DO UŻYTKU.....	117
Hamulec łańcucha (Rys. 1, punkt 9).....	118
Kontrola działania hamulca .....	118
8. URUCHAMIANIE I WYŁĄCZANIE PILARKI .....	118
Uruchamianie zimnego silnika .....	118
Uruchamianie rozgrzanego silnika.....	119
Regulacja obrotów .....	119
Zatrzymanie silnika .....	119
Kontrola smarowania łańcucha.....	119
9. REGULACJA NAPIĘCIA ŁAŃCUCHA.....	120
10. CIĘCIE.....	120
Hamulec bezpieczeństwa (ochrona przed odbiciem wstecznym).....	120
Wycinka drzew .....	121
Cięcie szczap.....	121
Szczapa leżąca na ziemi.....	122
Szczapa znajdująca się ponad ziemią.....	122
Usuwanie gałęzi z obalonego drzewa .....	122

11. KONSERWACJA I CZYSZCZENIE NARZĘDZIA .....	122
Konserwacja po każdym użyciu.....	122
Czyszczenie korpusu pilarki łańcuchowej.....	123
Konserwacja prowadnicy .....	123
Standardowa konserwacja prowadnicy .....	123
12. OSTRZENIE ŁAŃCUCHA PILARKI.....	124
Wyposażenie niezbędne do ostrzenia łańcucha pilarki .....	124
Ostrzenie zębów łańcucha .....	124
Piłowanie ogranicznika zagłębienia.....	125
13. WYMIANA ŁAŃCUCHA PILARKI .....	126
14. TABELA KONSERWACJI.....	127
15. ROZWIĄZYWANIE PROBLEMÓW .....	128
16. DANE TECHNICZNE .....	129
17. LIKWIDACJA .....	130
18. DEKLARACJA ZGODNOŚCI.....	131

# 1. OGÓLNE ZASADY BEZPIECZEŃSTWA

## Ważne instrukcje dotyczące bezpieczeństwa

- ✿ Starannie rozpakuj wyrób, zwracając uwagę, by nie wyrzucić żadnej części materiału opakowaniowego, zanim nie znajdziesz wszystkich elementów produktu.
- ✿ Przechowuj wyrób w suchym miejscu z dala od dzieci.
- ✿ Przeczytaj wszystkie ostrzeżenia i wskazówki. Nieprzestrzeganie ostrzeżeń i wskazówek może spowodować porażenie prądem elektrycznym, pożar lub ciężkie obrażenia.


## Opakowanie

Wyrób został umieszczony w opakowaniu chroniącym je przed uszkodzeniem podczas transportu. Opakowanie to jest surowcem i z tego względu podlega recyklingowi.

## Instrukcja obsługi

Zanim rozpoczniesz pracę z urządzeniem, przeczytaj następujące zasady bezpieczeństwa i wskazówki dotyczące użytkowania. Zapoznaj się z elementami sterowania i prawidłowym użyciem urządzenia. Instrukcję należy starannie zachować do wglądu. Co najmniej w okresie gwarancyjnym zalecamy zachowanie oryginalnego opakowania łącznie z wewnętrznym materiałem opakowaniowym, dokument kasowy i kartę gwarancyjną.

W razie transportu zapakuj maszynę z powrotem do oryginalnego pudełka dostarczonego przez producenta, zapewniając w ten sposób maksymalną ochronę produktu podczas ewentualnego transportu (np. przeprowadzki lub wysyłki do serwisu).

 **UWAGA:** Jeśli przekazujesz maszynę innym osobom, przekaz ją razem z instrukcją. Przestrzeganie załączonej instrukcji obsługi stanowi założenie prawidłowego użycia urządzenia. Instrukcja obsługi zawiera również wskazówki dotyczące obsługi, konserwacji i naprawy.

**Producent nie ponosi odpowiedzialności za wypadki lub szkody powstałe na skutek nieprzestrzegania niniejszej instrukcji.**

## 2. WYJAŚNIENIE TABLICZEK ZE WSKAZÓWKAMI ZNAJDUJĄCYCH SIĘ NA MASZYNIE



Przed użyciem narzędzia przeczytaj uważnie instrukcję obsługi.



Podczas obsługi narzędzia należy korzystać z środków ochrony takich jak okulary ochronne, ochronniki słuchu itp.



Pilarkę łańcuchową należy obsługiwać zawsze obiema rękoma.



Podczas pracy należy używać rękawic ochronnych.



Używaj mocnego izolacyjnego obuwia roboczego.



Uwaga! Niebezpieczeństwo odbicia wstecznego.



Ostrzeżenie! Uwaga!

## 3. WSKAZÓWKI BEZPIECZEŃSTWA

**⚠ UWAGA!** Wskazówki bezpieczeństwa podane w niniejszej instrukcji obsługi oznaczone tym symbolem zawierają krytyczne punkty, na które należy zwrócić uwagę podczas obsługi narzędzia, aby nie doszło do poważnych lub śmiertelnych obrażeń. Prosimy o uważne przeczytanie instrukcji bezpieczeństwa i jej przestrzeganie.

**⚠ UWAGA!** Ten symbol oznacza wskazówki, których należy przestrzegać, aby nie doszło do wypadków będących przyczyną poważnych lub śmiertelnych obrażeń.

**📖 UWAGA:** Ten symbol oznacza wskazówki lub instrukcje użyteczne podczas obsługi narzędzia.

### Przed użyciem urządzenia

- ✿ Przed użyciem narzędzia przeczytaj uważnie instrukcję obsługi.
- ✿ Nie korzystaj z narzędzia będąc pod wpływem alkoholu lub substancji odurzających, jeśli jesteś zmęczony lub wyczerpany. Nie korzystaj z urządzenia, jeśli zażywasz leki, które mogłyby mieć wpływ na Twoje zdolności decyzyjne lub ograniczyć je podczas obsługi narzędzia.
- ✿ Nie korzystaj z narzędzia we wnętrzach. Wydobywające się gazy zawierają szkodliwy tlenek węgla.
- ✿ Nigdy nie korzystaj z urządzenia w poniższych warunkach:
  - Jeśli powierzchnia robocza jest śliska lub jeśli warunki atmosferyczne nie pozwalają na utrzymanie stabilnej postawy podczas obsługi urządzenia.
  - Jeśli jest ciemno, przy gęstej mgłę lub przy złych warunkach atmosferycznych ograniczających widoczność powierzchni roboczej.
  - Podczas deszczu, burzy, silnego wiatru lub w innych warunkach, które mogą być niebezpieczne podczas używania narzędzia.
- ✿ Jeśli korzystasz z pilarki po raz pierwszy, przed rozpoczęciem pracy zasięgnij rady doświadczonego pracownika.
- ✿ Pod wpływem zmęczenia lub wyczerpania fizycznego może dojść do utraty uwagi i w wyniku tego do ciężkich obrażeń.
- ✿ Ogranicz czas obsługi narzędzia do ok. 10 minut w przypadku jednego użycia. Pomiędzy poszczególnymi odcinkami pracy staraj się wykonywać przerwy na odpoczynek o długości ok. 10–20 minut. Ogranicz ogólną liczbę przepracowanego czasu w ciągu jednego dnia do ok. 2 godzin.
- ✿ Upewnij się, że masz przy sobie instrukcję obsługi, na wypadek, gdybyś potrzebował z niej skorzystać.
- ✿ W przypadku sprzedaży, wypożyczenia lub przekazania urządzenia innej osobie, upewnij się, że zostało ono przekazane wraz z instrukcją obsługi.
- ✿ Nigdy nie pozwalaj dzieciom lub innym osobom, które nie zostały dostatecznie zapoznane z instrukcją obsługi, aby korzystały z tego urządzenia.

### Bezpieczeństwo obsługi, wyposażenie i odzież robocza

- ✿ Podczas obsługi pilarki łańcuchowej należy korzystać z następującej odzieży ochronnej i środków ochrony:
  - kask
  - okulary ochronne lub osłona twarzy
  - rękawice ochronne
  - antypoślizgowe obuwie robocze
  - ochronniki słuchu

- ✿ Ponadto należy mieć przy sobie
  - narzędzia dostarczone w zestawie
  - dostateczną rezerwę paliwa i oleju do smarowania łańcucha
  - moce do oznaczenia obszaru roboczego (linę, znaki ostrzegawcze)
  - gwizdek (do przywołania pomocy)
  - piłę lub siekiere (do ewentualnego usunięcia przeszkód)
- ✿ Podczas pracy nie należy nigdy używać luźnej odzieży i biżuterii, które mogłyby zostać wciągnięte przez pilarkę. Podczas pracy nie należy nosić sandałów ani pracować na boso.
- ✿ Skontroluj powierzchnię roboczą, przedmiot oraz kierunek cięcia. Usuń przeszkodę.
- ✿ Nigdy nie zaczynaj pracy, jeśli powierzchnia pracy nie jest czysta, jeśli nie możesz przyjąć stabilnej pozycji i nie masz zaplanowanej drogi ewakuacyjnej przed obalonym drzewem.
- ✿ Zachowaj szczególną ostrożność i utrzymuj poruszających się w pobliżu przechodni oraz zwierzęta domowe poza powierzchnią roboczą w odległości co najmniej 2,5-krotności długości ścinanego obiektu.
- ✿ Skontroluj uszkodzone, zużyte lub brakujące części maszyny. Nigdy nie używaj maszyny, jeśli jest uszkodzona, nieprawidłowo wyregulowana lub niekompletna. Upewnij się, że łańcuch przestanie się obracać, kiedy dźwignia gazu zostanie zwolniona.
- ✿ Utrzymuj uchwyty suche, czyste i bez plam od oleju lub paliwa.
- ✿ Nie dotykaj tłumika, świecy zapłonowej lub innych metalowych części silnika, jeśli maszyna jest włączona lub bezpośrednio po jej wyłączeniu - ryzyko oparzenia lub porażenia prądem elektrycznym.
- ✿ Zachowaj szczególną ostrożność podczas cięcia cienkich gałęzi i pni, ponieważ kruchy materiał może zostać wciągnięty przez łańcuch, odrzucony na obsługującą osobę i może spowodować utratę jej równowagi.
- ✿ Podczas ścinania sprężystych gałęzi należy pamiętać o możliwości ich odrzucenia po zwolnieniu napięcia na skutek przecięcia włókien drzewa.
- ✿ Skontroluj i usuń stare gałęzie, które mogłyby spaść z obalanego drzewa.
- ✿ Jeśli zamierzasz odłożyć urządzenie, upewnij się, że jest wyłączone.

**⚠ UWAGA odbicie wsteczne!** Do odbicia wstecznego może dojść w momencie, gdy przednia część prowadnicy dostanie się do kontaktu z obiektem lub kiedy cięty materiał zablokuje łańcuch w miejscu cięcia. Podczas kontaktu z obiektem może dojść do odrzucenia pilarki przy jednoczesnym ruchu pilarki do góry i do tyłu w kierunku obsługującej osoby. Zablokowanie łańcucha w miejscu cięcia może doprowadzić do szybkiego odbicia wstecznego prowadnicy w kierunku obsługującej osoby. Obie te reakcje mogą doprowadzić do utraty kontroli nad pilarką i następstw w postaci ciężkich obrażeń. Nie polegaj wyłącznie na elementach zabezpieczających pilarki. Jako użytkownik pilarki powinien nieustannie przestrzegać kilku zasad zapobiegających powstaniu obrażeń lub szkód.

- ✿ Jeśli znasz zasadę odbicia wstecznego, możesz zmniejszyć lub wykluczyć element zaskoczenia. Nieoczekiwane reakcje prowadzą do wypadków.
- ✿ Jeśli silnik pracuje, trzymaj pilarkę mocno obiema rękoma, prawą ręką tylny uchwyt, a lewą ręką przedni. Mocno obejmij uchwyty pilarki kciukiem skierowanym naprzeciw pozostałym palcom. Mocne przytrzymanie może ograniczyć odbicie wsteczne i pozwala mieć pilarkę pod kontrolą.
- ✿ W miejscu pracy nie powinny znajdować się żadne przeszkody. Wolny koniec prowadnicy nie może podczas pracy pilarki zahaczać o gałąź, pierń lub inną przeszkodę.
- ✿ Dokonuj wycinki przy wysokich obrotach silnika.
- ✿ Podczas cięcia nie powinno dojść do utraty stabilnej pozycji. Wykonuj cięcie maksymalnie na wysokości ramion.



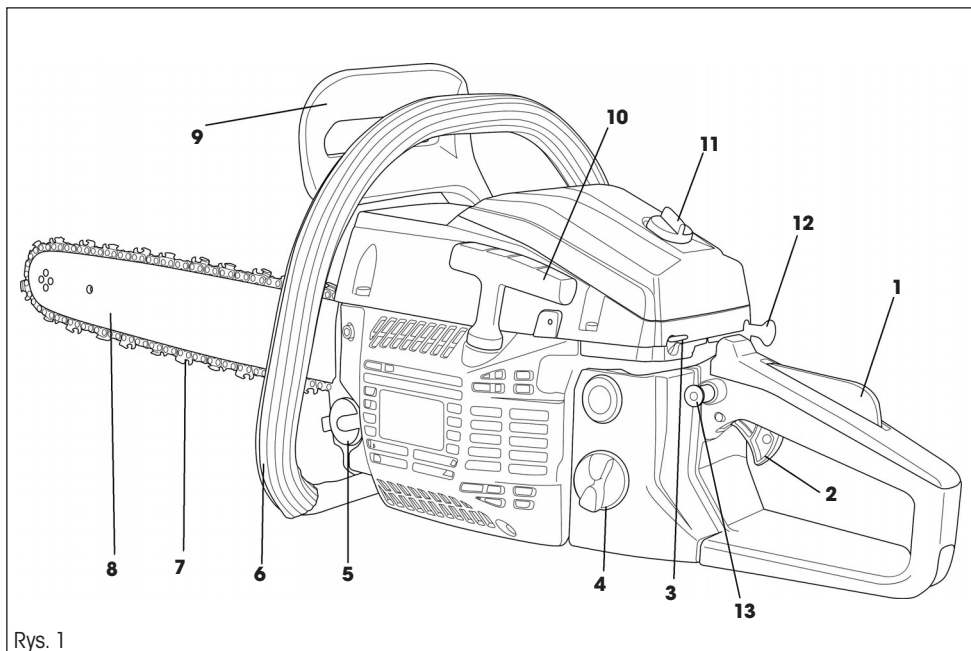
- ✿ Przestrzegaj zaleceń producenta dotyczących smarowania i ostrzenia łańcucha.
- ✿ Korzystaj wyłącznie z łańcuchów i prowadnic zamiennych zalecanych przez producenta lub ich ekwiwalentów.

### **Wskazówki dotyczące posługiwania się paliwem**

Silnik maszyny został zaprojektowany tak, aby wykorzystywał mieszankę paliwa, która jest wysoce łatwopalna. Nigdy nie przechowuj zbiorników z paliwem ani nie dolewaj paliwa w pobliżu otwartego ognia, pieca, przewodów elektrycznych, w miejscu wykonywania prac spawalniczych lub innego źródła ciepła czy ognia, co mogłoby doprowadzić do zapalenia ognia.

- ✿ Podczas obsługi maszyny lub przy dolewaniu paliwa obowiązuje zakaz palenia tytoniu.
- ✿ Podczas dolewania paliwa upewnij się, że maszyna jest wyłączona i że w pobliżu nie ma żadnego źródła otwartego ognia.
- ✿ Jeśli dojdzie do zabrudzenia urządzenia paliwem, użyj suchej ścierki i wytrzyj plamy.
- ✿ Po dolaniu paliwa przykręć korek zbiornika paliwa i odnieś urządzenie na odległość co najmniej 3 m od miejsca, w którym dolewałś paliwo, a następnie włącz maszynę.

## 4. OPIS URZĄDZENIA I ZAWARTOŚĆ DOSTAWY



Rys. 1

### Opis maszyny (por. Rys. 1)

- |                           |                                       |
|---------------------------|---------------------------------------|
| 1. Bezpiecznik gazu       | 7. Łańcuch                            |
| 2. Obsługa gazu           | 8. Prowadnica                         |
| 3. Główny wyłącznik       | 9. Hamulec zabezpieczający            |
| 4. Korek zbiornika paliwa | 10. Uchwyt rozruchu                   |
| 5. Korek zbiornika oleju  | 11. Śruba pokrywy filtra powietrznego |
| 6. Uchwyt przedni         | 12. Obsługa ssania                    |
|                           | 13. Blokada gazu                      |

Zawartość opakowania: Pilarka spalinowa, prowadnica Oregon 405 mm, łańcuch Oregon, plastikowa pokrywa prowadnicy, skalibrowany zbiornik do przygotowania mieszanki paliwowej, zestaw narzędzi z pilnikiem.

## 5. INSTALACJA PIĄTEK ZĘBATYCH, PROWADNICY I ŁAŃCUCHA

**⚠ UWAGA!** Podczas instalacji i dokonywania kontroli łańcucha należy zawsze korzystać z rękawic ochronnych, aby uniknąć obrażeń spowodowanych przez ostrza łańcucha.

### Instalacja piątek zębatach

- ✿ Za pomocą dołączonego klucza sześciokątnego i śrub przymocuj piątki zębate, por. rysunek (Rys. 2).

### Instalacja prowadnicy i łańcucha

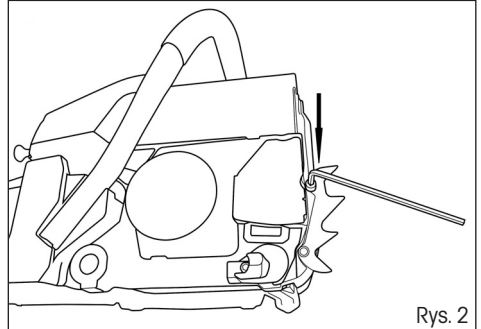
- ✿ Dźwignia hamulca bezpieczeństwa (Rys. 1, punkt 9) musi być odbezpieczona (przyciągnąć w kierunku górnego uchwytu).
- ✿ Poluzuj dwie nakrętki i zdejmij pokrywę koła łańcuchowego (Rys. 3, punkt 1).
- ✿ Nałóż łańcuch na prowadnicę, a następnie na koło łańcuchowe (zębatkę). Jednocześnie przytrzymuj łańcuch na prowadnicy.

**⚠ UWAGA!** Czop napinania łańcucha (Rys. 3, punkt 2) musi wpasować się do otworu w prowadnicy (Rys. 3, punkt 3). Pozycję tego czopu można wyregulować za pomocą śruby napinania łańcucha (Rys. 5)

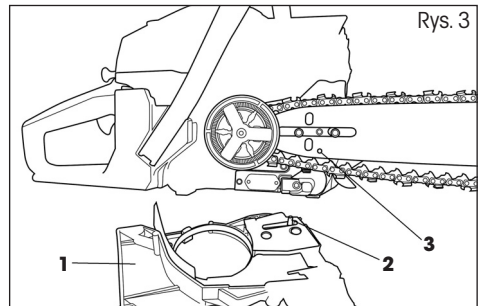
**⚠ UWAGA!** Zadbaj o to, aby łańcuch był zawsze prawidłowo osadzony na pierścieniu koła łańcuchowego (Rys. 4). Jeśli tak nie jest, może dojść do uszkodzenia pilarki.

- ✿ Załóż z powrotem pokrywę koła łańcuchowego. Nie dokręcaj śruby do końca, dokręć ją tylko ręcznie, aby można było napiąć łańcuch.
- ✿ Napij łańcuch za pomocą śruby napinającej (Rys. 5), a następnie dokręć nakrętkę pokrywy koła łańcuchowego za pomocą dołączonego klucza rurkowego.

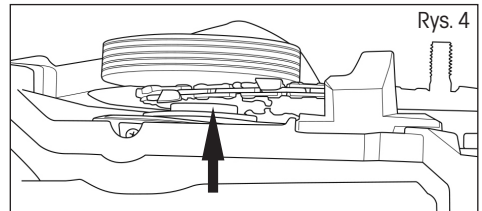
**⚠ UWAGA!** Łańcuch jest napięty prawidłowo, jeśli możesz go podnieść z prowadnicy oraz jeśli jego wysokość w pozycji poziomej wynosi pośrodku prowadnicy od 3 do 4 mm.



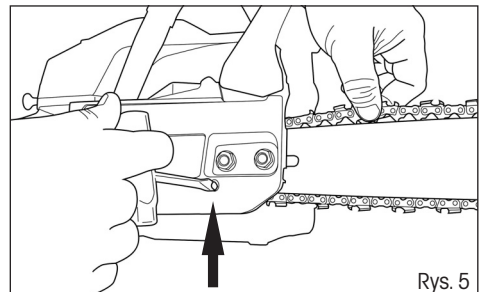
Rys. 2



Rys. 3



Rys. 4



Rys. 5

## 6. PALIWO I OLEJ DO SMAROWANIA ŁAŃCUCHA

### Dolewanie oleju do zbiornika

**⚠ UWAGA!** Nowy łańcuch wymaga dotarcia przez ok. 5 minut. Na tym etapie bardzo ważne jest smarowanie łańcucha. Po dotarciu sprawdź napięcie łańcucha i jeśli to konieczne, dokonaj jego regulacji.

- ✿ W dostarczonej pilarce zbiornik oleju jest pusty. Przed pierwszym użyciem pilarki należy napęłnić zbiornik olejem.
- ✿ Korzystaj wyłącznie z oleju przeznaczonego do smarowania biodegradowalnego.
- ✿ Odkręć korek wlewu (Rys. 6, punkt 1).
- ✿ Wlej do zbiornika olej (uwagaż, aby nie dopuścić do zanieczyszczenia oleju podczas jego wlewania do zbiornika).
- ✿ Zakręć korek wlewu.
- ✿ Przed użyciem pilarki zbiornik na olej nie powinien być nigdy zupełnie opróżniony, ponieważ grozi to uszkodzeniem prowadnicy i łańcucha.
- ✿ Kontrolę poziomu oleju można dokonać optycznie po odkręceniu zakrętki.

**⚠ UWAGA!** Nie korzystaj z oleju, który był już używany lub poddany obróbce, ponieważ mogłoby dojść do uszkodzenia pompki olejowej.

### Przygotowanie mieszanki paliwowej

**⚠ UWAGA!** Nigdy nie dolewaj paliwa do zbiornika w zamkniętym, nie wentylowanym pomieszczeniu.

**⚠ UWAGA!** Nie dolewaj paliwa w pobliżu otwartego ognia lub źródła iskrzenia.

**⚠ UWAGA!** Nie przepelniaj zbiornika. Przed uruchomieniem silnika wytrzyj wszystkie resztki rozlanego paliwa.

**⚠ UWAGA!** Jeśli silnik jest gorący, NIE DOLEWAJ PALIWA.

✿ W tym typie silnika dwusuwowego używana jest mieszanka benzyny bezołowiowej i oleju do silników dwusuwowych. Podczas pierwszych dwu godzin pracy skorzystaj z proporcji 25:1, a po dwu godzinach pracy z proporcji 40:1.

**⚠ UWAGA!** Mieszanka paliwowa przygotowana z użyciem innych proporcji może spowodować uszkodzenie silnika. Upewnij się, czy mieszanka została przygotowana prawidłowo.

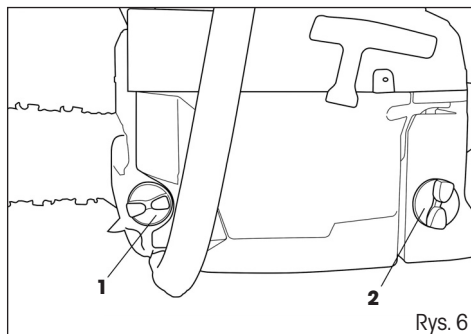
- ✿ Do przygotowania mieszanki benzyny z olejem silnikowym do silników dwusuwowych używaj wyłącznie benzyny nie zawierającej ETANOLU ani METANOLU (typy alkoholu).
- ✿ Korzystaj z wysokiej jakości benzyny z liczbą oktanową 95 lub wyższym. Dzięki temu zapobiegiesz ewentualnemu uszkodzeniu systemu paliwowego i innych części silnika.
- ✿ W celu przygotowania mieszanki paliwa zalecamy skorzystać ze skalibrowanego pojemnika znajdującego się w zestawie pilarki. NIE MIESZAJ BENZYNY Z OLEJEM BEZPOŚREDNIO W ZBIORNIKU PALIWA.
- ✿ Odkręć korek zbiornika paliwa (Rys. 6, punkt 2) i wlej paliwo. Następnie zakręć korek z powrotem.

## Przechowywanie paliwa

Paliwo należy przechowywać wyłącznie w czystym, bezpiecznym i zatwierdzonym kanistrze. Zapoznaj się z lokalnymi przepisami dotyczącymi typów kanistrów z paliwem oraz zasad ich umieszczania i przestrzegaj ich.

**⚠ UWAGA!** Paliwo do silników dwusuwowych może ulec separacji. Przed każdym użyciem należy dokładnie wstrząsnąć kanistrem z paliwem.

**⚠ UWAGA!** Przechowywane paliwo starzeje się. Nie mieszaj większej ilości paliwa niż zużyjesz w ciągu jednego miesiąca.



## 7. PRZYGOTOWANIE DO UŻYTKU

**⚠ WAŻNE:** Przestrzegaj zaleceń dotyczących przygotowania mieszanki paliwowej! Nieprzestrzeganie zaleceń może doprowadzić do uszkodzenia silnika! Nie używaj paliwa, które było przechowywane ponad dwa miesiące. Mieszanka paliwa, która była przechowywana ponad dwa miesiące powoduje problemy podczas uruchamiania silnika i jego niższą efektywność. Jeśli mieszanka była przechowywana dłużej niż dwa miesiące, należy ją usunąć i użyć nowego paliwa.

**⚠ UWAGA!** Zasady używania spalinowej pilarki łańcuchowej mogą być uregulowane w lokalnych przepisach.

- ✿ Skontroluj uszkodzone, zużyte lub brakujące części maszyny. Nigdy nie używaj maszyny, jeśli jest uszkodzona, nieprawidłowo wyregulowana lub niekompletna.
- ✿ Sprawdź, czy nie doszło do poluzowania śrub, nakrętek i elementów montażowych. Dokręć poluzowane śruby.
- ✿ Sprawdź, czy filtr powietrza nie jest zanieczyszczony. Przed rozpoczęciem pracy usuń z filtra powietrza wszystkie zanieczyszczenia.
- ✿ Sprawdź, czy łańcuch jest napięty. Prawidłowo napięty łańcuch można podnieść pośrodku prowadnicy w pozycji horyzontalnej na wysokość 3 do 4 mm.
- ✿ Utrzymuj uchwyty suche, czyste i bez plam od oleju lub paliwa.
- ✿ Upewnij się, czy nie dochodzi do wycieków ze zbiornika paliwa.
- ✿ Skontroluj powierzchnię roboczą, cięty przedmiot oraz kierunek cięcia. Usuń przeszkody.
- ✿ Nigdy nie zaczynaj pracy, jeśli powierzchnia pracy nie jest czysta, jeśli nie przyjąłeś stabilnej pozycji i nie masz zaplanowanej drogi ewakuacyjnej przed obalonym drzewem.
- ✿ Zachowaj szczególną ostrożność i utrzymuj poruszających się w pobliżu przechodni oraz zwierzęta domowe poza powierzchnią roboczą w odległości co najmniej 2,5-krotności długości ścinanego obiektu.

**⚠ UWAGA!** Zalecana kombinacja prowadnicy i łańcucha wynika z parametrów technicznych podanych w rozdziale 14. Nie używaj pilarki z prowadnicą o długości większej niż 18" (45 cm). Używanie dłuższej prowadnicy może spowodować wyraźne obniżenie mocy.

### Hamulec łańcucha (Rys. 1, punkt 9)

Ta pilarka jest wyposażona w automatyczny hamulec zatrzymujący obroty łańcucha, jeśli podczas pracy dojdzie do odbicia wstecznego. Hamulec uruchamia się automatycznie na skutek oddziaływania siły bezwładności na ciężarki umieszczone pod przednią pokrywą. Hamulec można również obsługiwać ręcznie poprzez opuszczenie przedniej ramy ochronnej na dół w kierunku prowadnicy.

Hamulec zostanie ponownie zwolniony poprzez przyciągnięcie przedniej ramy ochronnej z powrotem do uchwytu pilarki.

**⚠ UWAGA!** Przed każdym użyciem dokonaj następującego sprawdzenia, czy hamulec łańcucha działa.

#### Kontrola działania hamulca

- ☼ Połóż włączoną pilarkę na ziemi i pozwól, aby przez 1 do 2 sekund pracowała na maksymalnych obrotach.
- ☼ Wciśnij dźwignię hamulca (Rys. 1, punkt 9) do przodu. Łańcuch powinien się natychmiast zatrzymać.

**⚠ UWAGA!** Jeśli łańcuch zatrzymuje się powoli lub nie zatrzymuje się w ogóle, nie używaj pilarki i skontaktuj się z autoryzowanym serwisem.

- ☼ Jeśli chcesz zwolnić hamulec, przyciągnij dźwignię hamulca w kierunku górnego uchwytu tak, aby można było usłyszeć typowe zatrzaśnięcie.

**⚠ UWAGA!** Upewnij się, czy hamulec łańcucha działa prawidłowo. Prawidłowo działający hamulec łańcucha stanowi ochronę przed ewentualnymi obrażeniami powstającymi na skutek odbicia wstecznego. Jeśli hamulec nie pracuje prawidłowo, powierz jego regulację lub naprawę autoryzowanemu serwisowi.

## 8. URUCHAMIANIE I WYŁĄCZANIE PILARKI

### ⚠ OSTRZEŻENIE

- ☼ Przed uruchomieniem silnika upewnij się, czy łańcuch porusza się swobodnie po prowadnicy i czy nie dotyka żadnego przedmiotu obcego.
- ☼ Łańcuch pilarki nie powinien się obracać przy minimalnych obrotach silnika. W przeciwnym wypadku należy skontaktować się z autoryzowanym serwisem w celu dokonania kontroli i usunięcia problemu.
- ☼ Przed uruchomieniem silnika upewnij się, czy dźwignia gazu porusza się swobodnie.

**⚠ UWAGA:** Narażanie się na wibracje może spowodować problemy zdrowotne u osób cierpiących na choroby układu krążenia lub układu nerwowego. W przypadku pojawienia się takich objawów jak drętwienie, obniżenie wrażliwości, obniżenie normalnej siły lub zmiany zabarwienia skóry, należy zwrócić się o pomoc do lekarza. Objawy te dotyczą zazwyczaj palców, rąk lub nadgarstków.

### Uruchamianie zimnego silnika

1. Ustaw wyłącznik główny w pozycji górnej (por. Rys. 7, punkt 1).
2. Pociągnij do góry dźwignię ssania (Rys. 7, punkt 2), ale nie ruszaj dźwigni obsługi gazu.
3. Połóż pilarkę na równej ziemi tak, aby była stabilna i ciągnij za rękojeść linki rozrusznika, dopóki nie dojdzie do obrotów silnika (silnik będzie próbował się uruchomić) (Rys. 8).

4. W tym momencie wciśnij ponownie w dół dźwignię ssania (Rys. 7, punkt 2) i pociągając za linkę rozrusznika uruchom silnik.

**⚠ UWAGA!** Zbyt długi czas obrotów silnika z wyciągniętą dźwignią ssania spowoduje zalanie silnika i problemy z jego uruchomieniem.

5. Przed rozpoczęciem pracy rozgrzewaj silnik przez kilka minut do temperatury roboczej.

### Uruchamianie rozgrzanego silnika

1. Ustaw wyłącznik główny w górnej pozycji (por. Rys. 7, punkt 1).
2. Ciągnij za rękojeść linki rozrusznika, dopóki nie dojdzie do uruchomienia silnika (Rys. 8)  
NIE UŻYWAJ SSANIA!

**⚠ UWAGA!** Jeśli doszło do całkowitego zużycia paliwa ze zbiornika, w celu dolania paliwa powtórz kroki opisane w części URUCHAMIANIE ZIMNEGO SILNIKA.

### Regulacja obrotów

- ✿ Aby zwiększyć obroty, wciśnij najpierw dłoń bezpiecznik gazu (Rys. 7, punkt 4), a następnie wciśnij kciukiem dźwignię obsługi gazu (Rys. 7, punkt 5).
- ✿ Aby obniżyć liczbę obrotów, zwolnij dźwignię gazu.

### Zatrzymanie silnika

- ✿ Zwolnij dźwignię gazu (Rys. 7, punkt 5) i przełącz wyłącznik główny na pozycję „Stop” (Rys. 1, punkt 1).

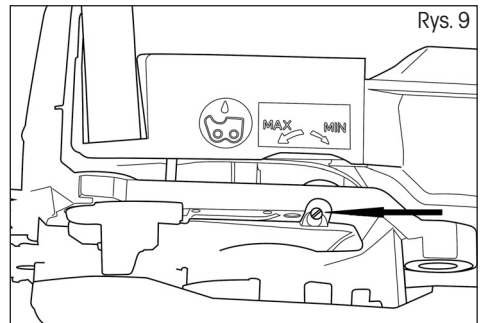
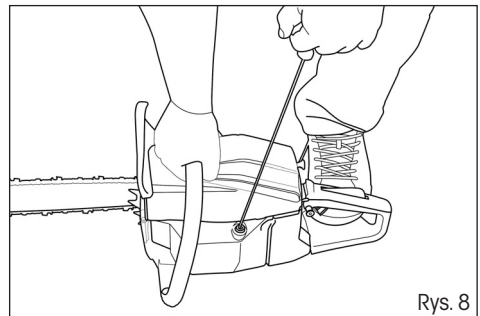
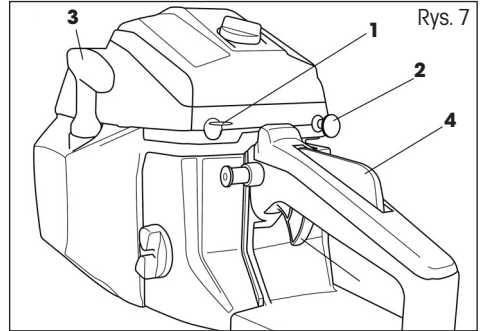
### ⚠ OSTRZEŻENIE

Gazy spalinowe silnika zawierają substancje chemiczne szkodliwe dla zdrowia. Nigdy nie wdychaj tych gazów. Zawsze uruchamiaj pilarkę poza budynkiem.

### Kontrola smarowania łańcucha

**⚠ UWAGA!** Przestrzegaj zasad bezpieczeństwa i nie dopuść do kontaktu prowadnicy z powierzchnią terenu. Używaj tego narzędzia w bezpieczny sposób i przestrzegaj minimalnej odległości 20 cm od ziemi.

- ✿ Przed rozpoczęciem pracy sprawdź smarowanie łańcucha oraz ilość oleju w zbiorniku pilarki. Włącz pilarkę i trzymaj ją ponad ziemią. Jeśli zauważysz



powiększające się plamy od oleju, oznacza to, że smarowanie łańcucha nie przebiega prawidłowo. Jeśli na ziemi nie ma żadnych śladów oleju, ustaw stopień smarowania na spodzie pilarki (Rys. 9)

- ✿ Jeśli również potem łańcuch nie jest dostatecznie nasmarowany, oczyść otwór wypustu oleju (pod pokrywą koła łańcuchowego), górny otwór napinania łańcucha i rozprowadzanie oleju, ewentualnie skontaktuj się z autoryzowanym serwisem.

## 9. REGULACJA NAPIĘCIA ŁAŃCUCHA

**⚠ UWAGA!** Podczas pracy łańcuch pilarki ma tendencję do wydłużania się na skutek oddziaływania podwyższonej temperatury. Dłuższy łańcuch może się poluzować i spaść z prowadnicy.

- ✿ Poluzuj nakrętkę napinającą pokrywy koła łańcuchowego.
- ✿ Upewnij się, że łańcuch jest prawidłowo osadzony w rowku prowadnicy.
- ✿ Aby przekręcić śrubę regulującą stopień napięcia łańcucha (Rys. 5), skorzystaj ze śrubokręta. Obracaj śrubę regulującą do momentu osiągnięcia odpowiedniego napięcia łańcucha (powinieneś móc podnieść łańcuch pośrodku prowadnicy w pozycji poziomej do wysokości ok. 3 do 4 mm).
- ✿ Dokręć mocno nakrętki napinające prowadnicy.

**⚠ UWAGA!** Nie napinaj łańcucha zbyt mocno. Zbyt mocne napięcie rozgrzanego łańcucha może prowadzić do jego nadmiernego napięcia po ostygnięciu.

## 10. CIĘCIE

**⚠ UWAGA!** Zanim zaczniesz czytać, zapoznaj się z rozdziałem „Wskazówki bezpieczeństwa”. Zalecamy zdobyć doświadczenia podczas cięcia małych szczap. Dzięki temu można zapoznać się z działaniem pilarki.

- ✿ Zawsze przestrzegaj zaleceń dotyczących bezpieczeństwa. Pilarki łańcuchowej należy używać wyłącznie do cięcia drewna. Zakaz cięcia innych materiałów. Wibracje i odbite wsteczne są inne w przypadku innych materiałów. Pilarki nie należy używać jako dźwigni do podnoszenia, przemieszczania lub rozbijania obiektów. Zakaz dołączania do pilarki części lub akcesoriów innych niż podane w dokumentacji technicznej.
- ✿ Nie jest konieczne dociskanie pilarki do miejsca cięcia. Kiedy silnik pracuje na pełnych obrotach, pilarkę wystarczy lekko dociskać.
- ✿ Jeśli dojdzie do zaczepienia się łańcucha w miejscu cięcia, nie próbuj go wyciągać, ale poszerz miejsce cięcia za pomocą klina lub dźwigni.

### Hamulec bezpieczeństwa (ochrona przed odbiciem wstecznym)

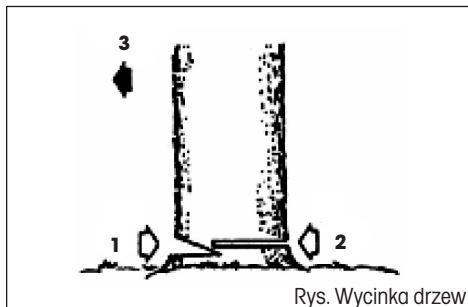
- ✿ Ta pilarka jest wyposażona w hamulec łańcucha. Jeśli działa on prawidłowo, w przypadku odbicia wstecznego powoduje natychmiastowe zatrzymanie łańcucha. Funkcjonalność hamulca łańcucha należy sprawdzić każdorazowo przed użyciem pilarki. Uruchoom pilarkę na pełne obroty na 1-2 sekundy, a następnie opuść pokrywę ochronną. Łańcuch musi się natychmiast zatrzymać nawet podczas pracy silnika na pełnych obrotach. Jeśli łańcuch zatrzymuje się powoli lub nie zatrzymuje się wcale, skontaktuj się z autoryzowanym serwisem.



- ☛ Sprawdzenie funkcjonalności hamulca łańcucha oraz stopnia naostrzenia łańcucha przed każdym użyciem jest niezwykle ważne po to, aby zachować odpowiedni poziom bezpieczeństwa obsługi pilarki w razie odbicia wstecznego. Usunięcie elementów zabezpieczających, nieprawidłowa konserwacja czy korzystanie z nieodpowiedniej prowadnicy lub łańcucha może być w razie odbicia wstecznego przyczyną ciężkich obrażeń.

## Wycinka drzew

- ☛ Podejmij decyzję co do kierunku obalania drzewa uwzględniając kierunek wiatru, pochylenie drzewa i lokalizację gałęzi. Przed rozpoczęciem pracy rozważ również wszystkie pozostałe czynniki.
- ☛ Okolice drzewa musi być wolna, pozbawiona przeszkód i musi umożliwiać przyjęcie stabilnej pozycji. Droga ewakuacyjna musi być łatwo dostępna.
- ☛ Wykonaj nacięcie klinowe na głębokość jednej trzeciej średnicy drzewa z tej strony, na którą ma drzewo spaść (Por. rys. Wycinka, punkt 1)
- ☛ Po przeciwnej stronie dokonaj cięcia oddzielającego na poziomie ponad nacięciem klinowym (por. rysunek Wycinka, punkt 2).
- ☛ Drzewo spadnie w kierunku nacięcia klinowego (por. rysunek Wycinka, punkt 3).



**⚠ UWAGA!** Podczas wycinki drzew poinformuj pozostałe osoby znajdujące się w okolicy o potencjalnym niebezpieczeństwie. Wycinka drzew wymaga praktyki. Nie zalecamy jej wykonywania bez odpowiedniego doświadczenia.

## Cięcie szczap

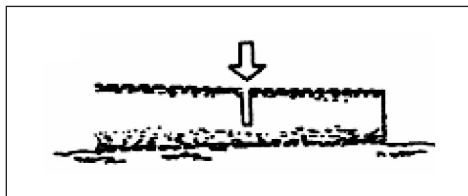
**⚠ UWAGA!** Utrzymuj zawsze stabilną postawę. Nie stój na szczapach.

**⚠ UWAGA!** Przed rozpoczęciem pracy upewnij się, że wszystkie komponenty znajdują się na właściwym miejscu i że wszystkie nakrętki są dokręcone.

- ☛ Ścięte kawałki szczapy mogą spadać. W szczególności podczas cięcia na zboczu należy stać zawsze ponad ciętą szczapą.
- ☛ Aby zapobiec odbiciu wstecznemu pilarki, postępuj zgodnie z instrukcjami podanymi w rozdziale „Wskazówki bezpieczeństwa”.
- ☛ Przed rozpoczęciem pracy dokonaj oceny kierunku oddziaływania siły powodującej zginanie ciętego pnia. Końcowe cięcie wykonuj zawsze z odwrotnej strony, niż oddziałuje siła zgięcia tak, aby nie doszło do zaklinowania prowadnicy w nacięciu.
- ☛ Przenieś pilarkę wyłącznie przy wylączonym silniku i z prowadnicą osłoniętą pokrywą ochronną.

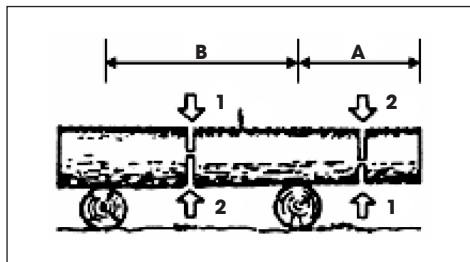
Szczapa leżąca na ziemi

- ☛ Przetnij szczapę do połowy, następnie przekręć ją i dokończ cięcie z przeciwnej strony.



Szczapa znajdująca się ponad ziemią

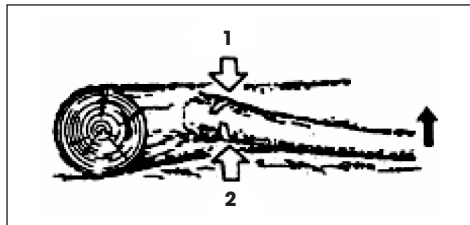
- ✿ W części „A” dokonaj cięcia od dołu do jednej trzeciej szczapy, a następnie dokończ cięcie od góry. W części „B” dokonaj cięcia od góry do jednej trzeciej szczapy, a następnie dokończ cięcie od dołu.



### Usuwanie gałęzi z obalonego drzewa

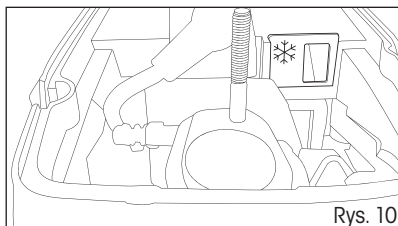
- ✿ Najpierw sprawdź, na którą stronę jest zgięta gałąź. Następnie wykonaj początkowe cięcie od strony zgięcia, a potem dokończ cięcie z przeciwnej strony.

**⚠ UWAGA!** Zgięta gałąź może się odbić.



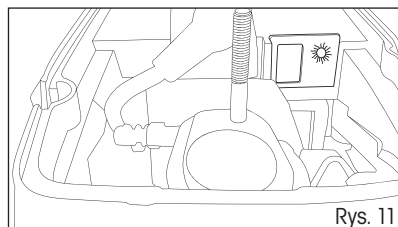
### Przy temperaturze poniżej 0°

- ✿ Ustaw klapkę znajdującą się za filtrem powietrza na pozycję zimową, por. rys. 10. Symbol pozycji zimowej, „płatek śniegu”, musi być widoczny. Dzięki temu ustawieniu wraz z zimnym powietrzem jest zasysane również ciepłe powietrze z otoczenia cylindra i wewnątrz gaźnika nie tworzy się lód.



Rys. 10

- ✿ Przy temperaturze powyżej +10°C ustaw klapkę w pozycji letniej, w przeciwnym wypadku mogłoby dojść do uszkodzenia silnika na skutek przegrzania. Symbol pozycji letniej, „słońce”, musi być widoczny, por. rys. 11.



Rys. 11

## 11. KONSERWACJA I CZYSZCZENIE NARZĘDZIA

**⚠ UWAGA!** Przed czyszczeniem, kontrolą lub naprawą pilarki silnik musi być wyłączony i zimny oraz musi być wyjęta świeca zapłonowa, aby nie mogło dojść do nieplanowanego uruchomienia.

### Konserwacja po każdym użyciu

- ✿ Zdemontuj prowadnicę i oczyść całą pilarkę od osadów trocin za pomocą pędzla. Do usunięcia zanieczyszczeń można użyć szpachelki lub śrubokręta.

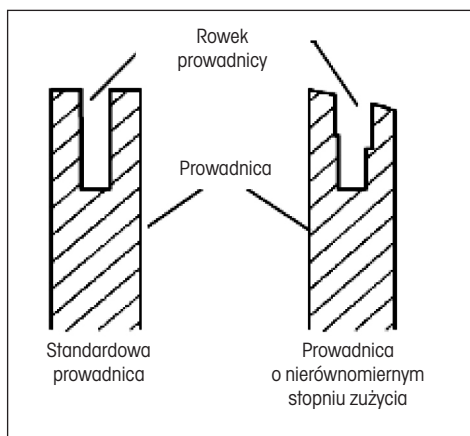
- ✿ **Filtr powietrza:**  
Poluzuj śrubę (Rys. 1, punkt 11) i zdejmij pokrywę filtra powietrza. Wyjmij wkład filtra i usuń kurz szczotką. Jeśli wkład filtra jest pokryty kurzem, rozłóż go na 2 części i wypierz w benzynie. Jeśli używasz sprężonego powietrza, należy dokonać wydmuchiwanie w kierunku od wewnątrz.
- ✿ **Otwór smarowania:**  
Zdemontuj prowadnicę i skontroluj przepustowość otworu smarowania.
- ✿ **Prowadnica:**  
Po zdemontowaniu prowadnicy usuń kurz z rowków i otworu smarowania.
- ✿ **Pozostałe części:**  
Sprawdź, czy nie doszło do wycieku oleju, poluzowania uchwytów czy uszkodzenia głównych części, w szczególności w miejscach mocowania rękojeści i prowadnicy. Ewentualnie stwierdzone wady muszą zostać naprawione przed kolejnym użyciem pilarki.

### Czyszczenie korpusu pilarki łańcuchowej

Utrzymuj korpus pilarki w czystości. Podczas czyszczenia korzystaj z miękkiej ścierki zamoczonej w roztworze mydła. Oczyszć dokładnie korpus pilarki za pomocą tej ścierki.

### Konserwacja prowadnicy

- ✿ Najwięcej problemów dotyczących prowadnicy powstaje na skutek nierównomiernego zużycia. Do nierównomiernego zużycia dochodzi zazwyczaj w wyniku nieprawidłowego zaostrenia łańcucha i niewłaściwych ustawień ogranicznika zagłębienia. W przypadku nierównomiernego zużycia prowadnicy dochodzi do rozszerzenia rowka prowadzącego (por. Rysunek). Jego efektem jest pukanie łańcucha i odpadanie nitów. Za pomocą pilarki nie można wówczas wykonywać równych cięć. W takim wypadku należy wymienić prowadnicę na nową.
- ✿ Przed ostrzeniem łańcucha należy zawsze sprawdzić stan prowadnicy. Używanie zużytej lub uszkodzonej prowadnicy jest bardzo niebezpieczne. Na skutek używania zużytej lub uszkodzonej prowadnicy dojdzie do uszkodzenia łańcucha. Wykonywanie cięcia za pomocą takiego narzędzia będzie wyraźnie trudniejsze i bardziej wyczerpujące.



### Standardowa konserwacja prowadnicy

- ✿ Zdemontuj prowadnicę z korpusu pilarki łańcuchowej.
- ✿ Usuwać regularnie z rowka prowadnicy trociny. Do czyszczenia użyj szpachelki lub drutu.
- ✿ Po zakończeniu każdego dnia pracy wyczyść rowki olejowe.
- ✿ Wymień prowadnicę, jeśli:
  - jest zgięta lub pęknięta
  - ma mocno uszkodzony lub zużyty rowek

**UWAGA:** Podczas wymiany prowadnicy postępuj zgodnie z zaleceniami podanymi w tej instrukcji. Informacje o prawidłowym typie prowadnicy znajdziesz w przeglądzie danych technicznych.

## 12. OSTRZENIE ŁAŃCUCHA PILARKI

Utrzymuj łańcuch pilarki ostry. Cięcie będzie dzięki temu wyraźnie szybsze, a przede wszystkim bezpieczniejsze. Tępy łańcuch zwiększa zużycie koła łańcuchowego, prowadnicy, łańcucha i napędu. Jeśli musisz naciskać na pilarkę, a podczas cięcia tworzą się wyłęcznie trociny i kilka wiórów, oznacza to, że łańcuch jest tępy.

**W tej sytuacji zalecamy skontaktowanie się z autoryzowanym serwisem.**

### Wypożenie niezbędne do ostrzenia łańcucha pilarki

- \* Pilnik okrągły - por. specyfikacja parametrów technicznych
- \* Ogranicznik zagłębienia
- \* Prowadnik pilnika
- \* Imadło
- \* Pilnik płaski średniego rozmiaru

### Ostrzenie zębów łańcucha

Skorzystaj z prowadnika, aby dokonać piłowania pod kątem  $30^\circ$  (znak A, por. rysunek).

- \* Wyreguluj napięcie łańcucha pilarki do prawidłowego poziomu.
- \* Przymocuj prowadnicę do imadła, aby łańcuch znajdował się w stabilnej pozycji.

**UWAGA:** Nie mocuj samego łańcucha.

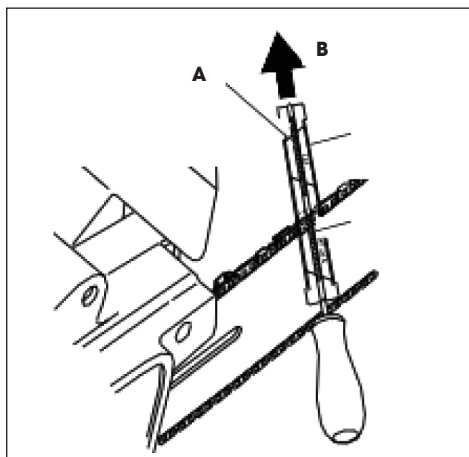
- \* Wciśnij okrągły pilnik, włożony do prowadnicy, do rowka pomiędzy górną blachą a ogranicznikiem zagłębienia na łańcuchu. Łańcuch powinien dotykać zarówno górnej blachy, jak i ogranicznika zagłębienia (por. rysunek).

**UWAGA:** Piłuj pośrodku prowadnicy.

**UWAGA:** Na rysunku pokazano umieszczenie prowadnicy pilnika i kierunek piłowania zębów po lewej stronie łańcucha.

- \* Umieść prowadnicę pilnika pod właściwym kątem (znak A, por. rysunek). Sprawdź, czy znak  $30^\circ$  umieszczony na prowadnicy pilnika jest wyrównany ze środkiem prowadnicy. W ten sposób upewniesz się, że będziesz piłować pod kątem  $30^\circ$ .
- \* Piłuj ząb w kierunku od wewnątrz na zewnątrz (w kierunku B, por. rysunek), aż będzie ostry. Piłuj wyłącznie w tym kierunku.

**UWAGA:** Do zaostrenia zęba powinny wystarczyć dwa do trzech pociągnięć pilnikiem.

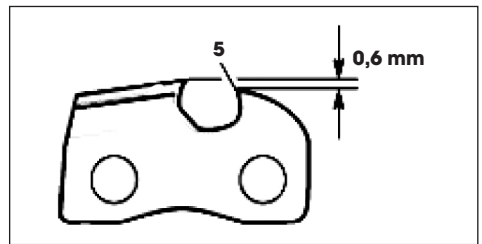
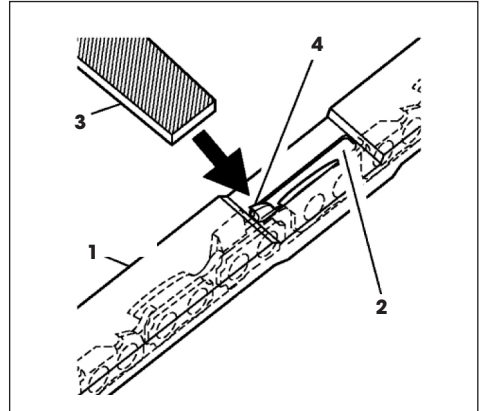


## Piłowanie ogranicznika zagłębienia

Efekt ostrzenia zębów łańcucha jest obniżenie tolerancji ogranicznika zagłębienia. Po drugim lub trzecim ostrzeniu konieczna jest regulacja ustawień ogranicznika zagłębienia.

- ✿ Przymocuj narzędzie służące do regulacji ogranicznika zagłębienia (por. rys., punkt 1) do górnej krawędzi dwu zębów. Upewnij się, że rowek narzędzia wpasował się do rowka ogranicznika zagłębienia (por. rys., punkt 2.)
- ✿ Skorzystaj z pilnika płaskiego o średnim rozmiarze (por. rys., punkt 3). Przypiłuj ogranicznik zagłębienia (por. rys., punkt 4) do poziomu narzędzia służącego do regulacji ogranicznika zagłębienia.
- ✿ Zdejmij narzędzie służące do regulacji ogranicznika zagłębienia. Za pomocą pilnika płaskiego zaokrąglij krawędź przednią ogranicznika zagłębienia (por. rysunek). Podczas piłowania przestrzegaj zalecanych wartości (por. rys., punkt 5).

**UWAGA:** Po wykonaniu kilku ostrzeń ręcznych przekaż łańcuch pilarki do zaostrenia w autoryzowanym serwisie lub zaostrz go za pomocą specjalnej maszyny do ostrzenia. Dzięki temu dojdzie do odnowienia równomiernego zaostrenia wszystkich zębów.



# 13. WYMIANA ŁAŃCUCHA PILARKI

**⚠ UWAGA!** Podczas wymiany łańcucha pilarki nie mocuj piły łańcuchowej ani prowadnicy do imadła.

Wymień łańcuch za każdym razem, kiedy zęby są zbyt mocno zużyte i nie można ich zaostrzyć lub jeśli doszło do pęknięcia łańcucha. Korzystaj wyłącznie z oryginalnego łańcucha zgodnie ze specyfikacją zamieszczoną w niniejszej instrukcji obsługi. Podczas wymiany łańcucha wymień również zębate koło łańcuchowe. Dzięki temu zapewnisz prawidłową pozycję łańcucha przy pracy. (Uwaga: Specyfikacja właściwego typu łańcucha i koła zębatego jest zawarta w przeglądzie danych technicznych.)

- \* Poluzuj i zdejmij śrubę prowadnicy.
- \* Zdejmij pokrywę koła łańcuchowego.
- \* Zdejmij łańcuch pilarki.
- \* Nawiń nowy łańcuch wokół koła zębatego, a następnie wzdłuż górnego rowka prowadnicy oraz wokół końcówki prowadnicy.

**⚠ UWAGA!** Upewnij się, że zęby tnące łańcucha są umieszczone w prawidłowym kierunku. Umieść łańcuch tak, aby zęby na górnej stronie prowadnicy były skierowane do przedniej krawędzi prowadnicy (por. rysunek).

- \* Przed umieszczeniem pokrywy koła łańcuchowego we właściwej pozycji sprawdź, czy końcówka regulująca napinanie łańcucha jest wsunięta do otworu regulującego prowadnicy.
- \* Umieść pokrywę koła łańcuchowego z powrotem na korpusie pilarki.
- \* Przymocuj pokrywę koła łańcuchowego za pomocą śruby prowadnicy.

**⚠ UWAGA!** Śrubę należy dokręcać wyłącznie ręcznie.

- \* Wyreguluj napięcie łańcucha pilarki.
- \* Dokręć śrubę prowadnicy.

**⚠ UWAGA!** Upewnij się, że nie umieścisz łańcucha pilarki na prowadnicy w odwrotnym kierunku. W przeciwnym razie pilarka będzie nadmiernie wibrować i nie będzie ciąć.



# 14. TABELA KONSERWACJI

Podane poniżej odstępy czasowe konserwacji obowiązują wyłącznie w standardowych warunkach roboczych. Jeśli Twoja praca jest bardziej obciążająca niż zazwyczaj, odstępy czasu pomiędzy konserwacją należy odpowiednio skrócić.		Przed każdym użyciem	Po każdej przerwie na uzupełnienie paliwa	Co tydzień	W przypadku uszkodzenia lub usterki	W razie potrzeby
Całe urządzenie	Skontrolować: wycieki, pęknięcia i stopień zużycia	x	x			
Kontrola: włącznik, rozrusznik, dźwignia gazu i dźwignia blokady gazu	Kontrola działania	x	x			
Hamulec łańcucha	Kontrola działania Kontrola w autoryzowanym serwisie	x	x		x	
Zbiornik paliwa i zbiornik oleju	Skontrolować: wycieki, pęknięcia i stopień zużycia	x	x			
Filtr paliwa	Kontrola czyszczenia Wymiana elementu filtrującego			x	x	Co 6 miesięcy
Smarowanie łańcucha	Kontrola mocy	x	x			
Łańcuch	Skontrolować: uszkodzenia, stopień naostrzenia i zużycia Kontrola napięcia Naostrzenie: skontrolować głębokość cięcia	x	x		x	
Prowadnica	Skontrolować: uszkodzenia i stopień zużycia Czyszczenie kolein i dystrybucji oleju Obrócenie, smarowanie koła napędowego i usunięcie zadziorów Wymienić	x	x		x	
Zębatka	Skontrolować: uszkodzenia i stopień zużycia			x		Wymiana wraz z każdym nowym łańcuchem
Sprzęgło	Skontrolować: uszkodzenia i stopień zużycia Wymienić			x	x	
Wychwytnik łańcucha	Skontrolować: uszkodzenia i stopień zużycia Wymienić	x	x		x	
Wszystkie dostępne śruby i nakrętki (oprócz śrub na gaźniku)	Skontrolować i dokręcić			x		
Filtr powietrza	Wyczyścić Wymienić	x			x	Co 6 miesięcy
Żebra cylindra i szczeliny w pokrywie rozrusznika	Wyczyścić			x		
Linka rozrusznika	Skontrolować: uszkodzenia i stopień zużycia Wymienić			x	x	
Gaźnik	Skontrolować minimalne obroty (łańcuch nie powinien się obracać przy minimalnych obrotach)	x	x			
Świeca	Skontrolować odległość elektrod Wymienić			x	x	Co 6 miesięcy
System antywibracyjny	Skontrolować: uszkodzenia i stopień zużycia			x		

# 15. ROZWIĄZYWANIE PROBLEMÓW

**UWAGA:** przed wykonaniem kontroli zalecanej w tabeli urządzenie należy zawsze wyłączyć i odłączyć świecę zapłonową z wyjątkiem wypadków, w których wymagana jest praca urządzenia.

Jeśli pomimo sprawdzenia wszystkich ewentualnych przyczyn problem nie został rozwiązany, skontaktuj się z autoryzowanym serwisem. Jeśli stwierdzisz istnienie problemu, który nie został opisany w tabeli, skontaktuj się z autoryzowanym serwisem.

PROBLEM	MOŻLIWE PRZYCZYNY	ROZWIĄZANIE
Nie można uruchomić silnika lub silnik gaśnie w kilka sekund po jego uruchomieniu. (Upewnij się, że włącznik jest ustawiony w pozycji „I”)	<ol style="list-style-type: none"> <li>1. Świeca nie iskrzy</li> <li>2. Silnik jest przeciążony</li> </ol>	<ol style="list-style-type: none"> <li>1. Skontroluj iskrzenie świecy. Jeśli świeca nie iskrzy, ponów test z nową świecą (WXL7T).</li> <li>2. Wyjmij świecę i pociągnij kilkakrotnie za rozrusznik. Następnie zamontuj z powrotem oczyszczoną świecę i uruchom silnik bez ssania.</li> </ol>
Silnik się uruchamia, ale nie zwiększa należyście obrotów lub nie pracuje prawidłowo na wysokich obrotach.	Należy wyregulować gaźnik.	Skontaktuj się z autoryzowanym serwisem w celu wyregulowania gaźnika.
Silnik nie pracuje na pełnych obrotach i/lub zbyt mocno dymi.	<ol style="list-style-type: none"> <li>1. Skontroluj mieszankę oleju i benzyny.</li> <li>2. Zanieczyszczony filtr powietrza.</li> <li>3. Należy wyregulować gaźnik.</li> </ol>	<ol style="list-style-type: none"> <li>1. Użyj nowej mieszanki benzyny i oleju do silników dwusuwowych.</li> <li>2. Wyczyść - por. zalecenia w rozdziale 11.</li> <li>3. Skontaktuj się z autoryzowanym serwisem w celu wyregulowania gaźnika.</li> </ol>
Silnik się uruchamia, pracuje i przyspiesza, ale nie utrzymuje się na biegu jałowym.	Należy wyregulować gaźnik.	Skontaktuj się z autoryzowanym serwisem w celu wyregulowania gaźnika.
Prowadnica i łańcuch rozgrzewają się podczas pracy i dymią.	<ol style="list-style-type: none"> <li>1. Pusty zbiornik oleju do łańcucha</li> <li>2. Zbyt mocno napięty łańcuch</li> <li>3. Nieprawidłowe funkcjonowanie systemu smarowania</li> </ol>	<ol style="list-style-type: none"> <li>1. Zbiornik oleju należy napętnić za każdym razem przy napełnianiu zbiornika paliwa.</li> <li>2. Napięcie łańcucha; por. zalecenia w rozdziale 5.</li> <li>3. Pozwól, aby pracował na najwyższych obrotach przez 15-30 sekund. Przerwij pracę i sprawdź, czy olej kapie z końcówki prowadnicy. Jeśli jest tam olej, nieprawidłowe funkcjonowanie może być spowodowane przez poluzowany łańcuch lub uszkodzoną prowadnicę. Jeśli olej nie kapie, skontaktuj się z autoryzowanym serwisem.</li> </ol>
Silnik się uruchamia, ale łańcuch się nie obraca. <b>UWAGA:</b> jeśli silnik pracuje, nigdy nie dotykaj łańcucha	<ol style="list-style-type: none"> <li>1. Włączony hamulec łańcucha</li> <li>2. Zbyt mocno napięty łańcuch</li> <li>3. Montaż prowadnicy i łańcucha</li> <li>4. Uszkodzony łańcuch i/lub prowadnica</li> <li>5. Uszkodzone sprzęgło i/lub koła zębate</li> </ol>	<ol style="list-style-type: none"> <li>1. Wyłącz hamulec łańcucha; por. rozdział 7.</li> <li>2. Napięcie łańcucha; por. zalecenia w rozdziale 9.</li> <li>3. Por. zalecenia w rozdziale 5.</li> <li>4. Por. zalecenia w rozdziale 11. i 13.</li> <li>5. W razie potrzeby wymień; skontaktuj się z autoryzowanym serwisem.</li> </ol>



## 16. DANE TECHNICZNE

Typ.....	FZP 5016 B
Silnik.....	50,4 cm <sup>3</sup>
Maksymalna moc silnika.....	2,0 kW / 11 500 rpm
Maksymalna prędkość silnika z narzędziem tnącym.....	11 500 rpm
Maksymalna prędkość silnika na biegu jałowym.....	3 000 rpm
Długość prowadnicy.....	405 mm
Długość cięcia.....	345 mm
Podziałka łańcucha.....	0,375 inch
Szerokość rowka prowadzącego.....	1,5 mm
Liczba ogniw łańcucha.....	57
Średnica pilnika.....	4 mm
Ciężar (bez prowadnicy i łańcucha).....	5,75 kg
Wymiary (wraz z prowadnicą i łańcuchem).....	790 x 235 x 245 mm
Mieszanka paliwowa (benzyna : olej).....	40:1
Pojemność zbiornika paliwa.....	540 ml
Pojemność zbiornika oleju.....	240 ml
Olej do smarowania łańcucha.....	olej biodegradowalny
System smarowania łańcucha.....	automatyczna pompa z możliwością ustawień
Poziom ciśnienia akustycznego.....	LpA: 115dB(A)
Gwarantowany poziom mocy akustycznej.....	LwA: 108dB(A)
Wibracja* – uchwyt przedni.....	7,212 m/s <sup>2</sup>
Wibracja* – uchwyt tylny.....	6,530 m/s <sup>2</sup>

Rok produkcji: 2016

\* Jeśli stwierdzisz, że doszło do wyraźnego zwiększenia wibracji przenoszonych na uchwyt w porównaniu z wibracjami nowej pilarki, sprawdź stopień zużycia silentblocków (ogumowanych elementów mocujących) i w razie potrzeby skontaktuj się z autoryzowanym serwisem w celu ich wymiany.

**⚠ UWAGA!** Praca z pilarką łańcuchową posiadającą niesprawny system tłumienia wibracji może być przyczyną problemów zdrowotnych.

# 17. LIKWIDACJA

## **WSKAZÓWKI I INFORMACJE DOTYCZĄCE GOSPODARKI ZUŻYTYM OPAKOWANIEM**

Zużyty materiał z opakowania należy przekazać na gminne wysypisko odpadów.



Maszyna i jej wyposażenie są wyprodukowane z różnych materiałów, np. z metalu i plastiku. Uszkodzone części należy oddać do punktu selektywnej zbiórki. Szczegółowych informacji udziela odpowiedni urząd.



Ten produkt spełnia wszelkie podstawowe wymagania dyrektyw UE, które go dotyczą.

Zastrzegamy sobie możliwość dokonywania zmian tekstu, designu i danych technicznych wyrobu bez uprzedzenia.

Instrukcja użycia w języku oryginalnym.

# 18. DEKLARACJA ZGODNOŚCI

## WE Deklaracja zgodności

Fast ČR, a. s., Černokostecká 251 01 Říčany u Prahy, telefon: 323204111, oświadcza wiążąco, że spalinowa pilarka łańcuchowa Fieldmann FZP 5016-B (rok produkcji podano na tabliczce znamionowej, po której umieszczono numer seryjny urządzenia) spełnia wymogi poniższych DYREKTYW RADY

Dyrektywa maszynowa (MD) 2006/42/WE (98/37/EDC)

Dyrektywa WE dotycząca kompatybilności elektromagnetycznej (EMC)

Dyrektywa hałasowa (ND) 2005/88/WE (2000/14/WE)

Dyrektywa spalinowa 2002/88/WE

i została przetestowana pod kątem następujących norm:

EN ISO 11681-1:2011

EN ISO 14982:1998; EN ISO 14982:2009

EN ISO 3744:2010

ISO 9207:1995

Dane techniczne:

50,4 cm<sup>3</sup>, 2,0 kW

Oznakowanie CE: 15

Říčany, 29. listopada 2015

Imię i nazwisko pieczęć podpis

Petr Uher

Menedžer ds. Jakości

**FAST** FAST ČR, a.s. ©  
Černokostecká 1621  
251 01 Říčany u Prahy  
ICO: 26726548 tel.: +420/ 323 204 111  
DIČ: CZ26726548 fax: +420/ 323 204 110





# Verižna žaga

## UPORABNIŠKI PRIROČNIK

**Zahvaljujemo se vam za nakup verižne žage. Preden ga boste začeli uporabljati, prosimo, da pozorno preberite ta uporabniški priročnik in ga shranite za kasnejšo uporabo.**

### VSEBINA

1. SPLOŠNA VARNOSTNA NAVODILA.....	135
Pomembno varnostno opozorilo.....	135
Embalaža .....	135
Uporabniški priročnik.....	135
2. RAZLAGA OZNAK NA VERIŽNI ŽAGI.....	136
3. VARNOSTNA NAVODILA .....	137
Pred začetkom dela.....	137
Varnost uporabnika, delovna oprema in oblačila.....	137
Navodila za rokovanje z gorivom .....	139
4. OPIS VERIŽNE ŽAGE IN PRILOŽENE VSEBINE.....	140
Opis verižne žage (glejte sliko 1).....	140
5. NAMESTITEV KREPLJASTEGA NASLONA, MEČA IN VERIGE .....	141
Namestitev krempljastega naslona.....	141
Namestitev meča in verige .....	141
6. GORIVO IN OLJE ZA MAZANJE VERIGE .....	142
Točenje olja v posodo za olje .....	142
Priprava gorivne mešanice .....	142
Shranjevanje goriva.....	143
7. PRIPRAVA ZA DELOVANJE.....	143
Zapora verige (Slika 1, točka 9).....	144
Preverjanje delovnega zaporedja zapore.....	144
8. ZAGON IN IZKLOP VERIŽNE ŽAGE .....	144
Zagon hladnega motorja .....	144
Zagon vročega motorja.....	145
Nadzor števila vrtljajev .....	145
Zaustavitev motorja.....	145
Preverjanje mazanja verige.....	145
9. NASTAVLJANJE NAPETOSTI VERIGE.....	146
10. REZANJE.....	146
Zapora premikanja verige (zaščita pred povratnim udarcem) .....	146
Sečnja dreves.....	147
Žaganje hlodov.....	147
Deblo, ki leži na tleh.....	147
Deblo, ki je nad tlemi .....	148
Razrez padlega drevesa .....	148

11. ČIŠČENJE IN VZDRŽEVANJE .....	148
Vzdrževanje po vsaki uporabi .....	148
Čiščenje ohišja verižne žage .....	149
Vzdrževanje meča .....	149
Običajno vzdrževanje meča .....	149
12. OSTRENJE VERIGE .....	150
Oprema, ki jo potrebujete za ostrenje verige .....	150
Ostrenje zob verige .....	150
Uporaba merilnika globine .....	151
13. MENJAVA VERIGE .....	152
14. TABELA VZDRŽEVANJA .....	153
15. ODPRAVLJANJE NAPAK .....	154
16. TEHNIČNI PARAMETRI .....	155
17. ODLAGANJE .....	156
18. IZJAVA O SKLADNOSTI .....	157

# 1. SPLOŠNA VARNOSTNA NAVODILA

## Pomembno varnostno opozorilo

- ❁ Verižno žago pazljivo vzemite iz embalaže, pri tem pa pazite, da ne boste zavrgli nobenega dela embalaže, dokler ne boste ugotovili, da so vsi deli tudi prisotni.
- ❁ Verižno žago shranjujte na suho mesto, izven dosega otrok.
- ❁ Preberite vsa opozorila in navodila. Neupoštevanje opozorila ali navodil lahko privede do poškodb zaradi električnega udara, požara in/ali drugih resnih poškodb.


## Embalaža

Izdelek je zapakiran v embalažo, ki preprečuje poškodbe med prevozom. Embalaža je iz razgradljivih materialov, zato jo lahko ponovno uporabite.

## Uporabniški priročnik

Preden verižno žago začnete uporabljati, si preberite naslednja varnostna in uporabniška navodila. Seznanitev z elementi krmiljenja in pravilna uporaba verižne žage. Uporabniški priročnik imejte na varnem in enostavno dostopnem mestu. Shranite originalno embalažo, material, garancijsko kartico in potrdilo o nakupu, vsaj za obdobje garancije.

Če morate poslati verižno žago nazaj, jo zapakirajte v originalno kartonsko škatlo in tako poskrbite za najboljšo zaščito med prevozom (tj. kadar potujete ali kadar morate poslati izdelek v popravilo).

-  **OPOMBA:** Če boste verižno žago prodali ali izročili drugi osebi, ji priložite tudi uporabniški priročnik. Upoštevanje navodil v uporabniškem priročniku, je predpogoj za pravilno uporabo verižne žage. Uporabniški priročnik vsebuje tudi navodila za uporabo, vzdrževanje in popravila.

**Proizvajalec ne odgovarja za nobene nesreče ali poškodbe, ki bi nastale zaradi neupoštevanja navodil v tem priročniku.**

## 2. RAZLAGA OZNAK NA VERIŽNI ŽAGI



Pred začetkom dela, si pazljivo preberite uporabniški priročnik.



Med uporabo verižne žage nosite zaščitna sredstva, kot so varnostna očala, glušniki za ušesa itd.



Verižno žago med delom vedno držite z obema rokama.



Med delom uporabljajte zaščitne rokavice.



Nosite čvrsto delovno obutev.



Pozor! Nevarnost povratnega udarca



Opozorilo! Pozor!



## 3. VARNOSTNA NAVODILA

**⚠ POZOR:** Varnostna navodila v tem priročniku so označena s simbolom, ki predstavlja kritične točke, na katere morate biti pozorni pri uporabi verižne žage, kajti le tako lahko preprečite resne ali usodne poškodbe. Pazljivo preučite ta navodila in se jih tudi držite.

**⚠ POZOR!** Ta simbol predstavlja navodila, ki jih morate upoštevati, če želite preprečiti nesreče, ki lahko privedejo do resnih ali usodnih poškodb.

**📖 OPOMBA:** Ta simbol predstavlja nasvet ali navodilo, ki ga je med uporabo verižne žage koristno upoštevati.

### Pred začetkom dela

- ✿ Pred začetkom dela, si pazljivo preberite uporabniški priročnik.
- ✿ Verižne žage nikoli ne uporabljajte, če ste pod vplivom alkohola ali narkotikov, oziroma ste utrujeni ali izčrpani. Če jemljete zdravila, ki lahko vplivajo ali omejijo vaše sposobnosti za odločanje glede varne uporabe verižne žage, slednje ne uporabljajte.
- ✿ Verižne žage ne uporabljajte v zaprtih prostorih, kajti izpušni plini vsebujejo strupeni ogljikov monoksid.
- ✿ Verižne žage nikoli ne uporabljajte, če obstaja katera od spodaj navedenih okoliščin:
  - Če je delovna površina spolzka, oziroma vremenske razmere ne dovoljujejo, da bi med uporabo verižne žage lahko vzdrževali stabilen položaj.
  - Če je temno, vas obdaja gosta megla ali v slabih vremenskih pogojih, ki omejujejo vidljivost na delovnem mestu.
  - Medtem, ko dežuje, med nevihto ali ko piha močan veter, oziroma obstajajo drugi pogoji, ki so lahko nevarni za uporabo verižne žage.
- ✿ Če uporabljate verižno žago prvič, se pred začetkom dela posvetujte z osebo, ki ima izkušnje s tega področja.
- ✿ Utrujenost ali fizična izčrpanost lahko povzročita nepozornost, ki privede so resne poškodbe
- ✿ Omejite čas neprekinjene uporabe verižne žage na približno 10 minut, med temi intervali pa si vzemite približno 10 do 20 minut za počitek. Dnevno omejite celotno delo z verižno žago na približno dve uri.
- ✿ Poskrbite, da boste imeli uporabniški priročnik vedno pri roki, če ga boste potrebovali.
- ✿ Če verižno žago prodate, posodite ali predate drugi osebi, ji priložite tudi uporabniški priročnik.
- ✿ Nikoli ne dovolite, da bi verižno žago uporabljali otroci ali osebe, ki niso ustrezno seznanjene z navodili za uporabo verižne žage.

### Varnost uporabnika, delovna oprema in oblačila

- ✿ Med uporabo verižne žage, morate nositi naslednjo delovno in zaščitno opremo:
  - Čelado
  - Varnostna očala ali zaščitni vizir za obraz
  - Delovne rokavice
  - Čevlje, ki ne drsijo
  - Glušnike za ušesa

- ✿ Poleg navedenega morate poskrbeti tudi za
  - Priložena orodja
  - Zadoštno zalogo goriva ter olja za mazanje verige
  - Pripomočki za označevanje delovnega območja (vrv, opozorilni znaki)
  - Piščalka (za klic na pomoč)
  - Ročna žaga ali sekira (za odstranjevanje potencialnih ovir)
- ✿ Med delom nikoli ne nosite ohlapnih oblačil in nakita, ki bi se lahko ujel v verižno žago. Med delom ne imejte obutih sandal, nikakor si tudi ne dovolite, da bi verižno žago uporabljali bos.
- ✿ Preverite delovno območje, obdelovanec, ki ga želite prerezati in določite smer rezanja. Odstranite ovire.
- ✿ Nikoli ne začnite z delom, če so na delovnem območju ovire ali nimate stabilnega stojišča, oziroma se v primeru padca požaganega drevesa v nepredvideno smer, ne bi mogli varno umakniti.
- ✿ Še posebej pazite na naključne mimoidoče in živali, ki morajo biti oddaljeni vsaj 2,5 krat dlje, kot je dolžina drevesa, ki ga podirate.
- ✿ Redno preverjajte, če je na verižni žagi morda kakšen del poškodovan ali manjka. Če je verižna žaga poškodovana, neustrezno nastavljena ali ji manjka kašen del, je nikakor ne uporabljajte. Preverite, da se veriga zaustavi takoj, ko sprostite stikalo.
- ✿ Ročaja morata biti vedno suha, čista in brez sledi olja ali goriva.
- ✿ Medtem, ko verižna žaga deluje ali takoj po izklopu se ne dotikajte dušilca, vžigalnih svečk ali drugih vročih kovinskih delov, saj bi se na njih lahko nevarno opekli, oziroma utrpeli poškodbe zaradi električnega udara.
- ✿ Bodite še posebej pozorni, kadar žagate tanke veje, saj slednje veriga lahko zagradi in jih vrže proti upravljavcu, ki zaradi tega lahko izgubi ravnotežje.
- ✿ Če žagate veje, ki so ukrivljene in pod napetostjo, upoštevajte, da se bodo slednje po sprostitvi napetosti upognile v smer delovanja sile.
- ✿ Preverite in odstranite suhe veje, ki bi jih padlo drevo lahko dvignilo.
- ✿ Preden verižno žago odložite, se prepričajte, če je ugasnjena.

**⚠ POZOR, nevarnost povratnega udarca!** Do povratnega udarca pride, ko sprednji del meča pride v stik z obdelovancem ali, če se veriga zagozdi v material, ki ga žagate. Pri tem se ustvari sila s tendenco dvigovanja meča navzgor in proti upravljavcu. Če se veriga ujame v material, ki ga žagate, se ustvari močna sila, ki usmeri meč verižne žage proti upravljavcu. Obe ti okoliščini lahko povzročita izgubo nadzora nad verižno žago in posledično hude poškodbe. Zato se med delom ne zanašajte le na varnostne funkcije verižne žage. Kot upravljavec verižne žage, morate neprestano skrbeti za vse ukrepe, ki preprečujejo nastanek poškodb ali škode.

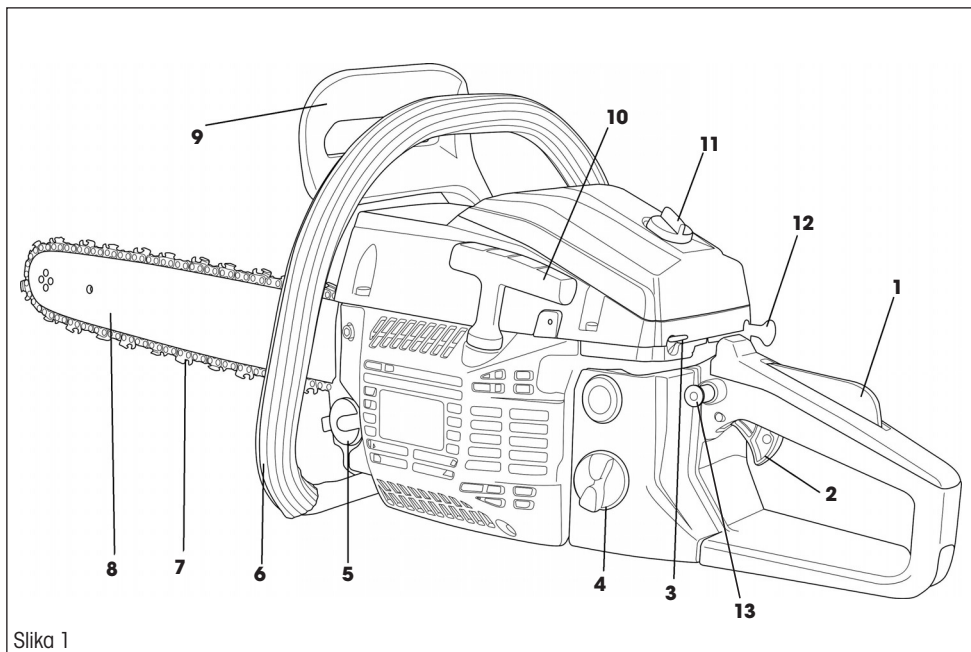
- ✿ Če ste seznanjeni s principom povratnega udarca, lahko zmanjšate ali se izognete trenutku presenečenja. Nepričakovane reakcije lahko privedejo do nesreč.
- ✿ Če motor deluje, verižno žago držite z obema rokama, z desno zadnji, z levo pa sprednji ročaj. Ročaj primate tako, da ga objamete s palcem in slednjega sklenete s prsti, ki objemajo ročaj v nasprotni smeri. Če verižno žago držite zadoštno trdno, to pomaga omejiti povratni udarec, hkrati pa imate veliko boljši nadzor.
- ✿ Na delovnem območju ne sme biti nobenih ovir. Med delom z verižno žago se prosti del meča ne sme dotikati veje, hloda ali druge ovire.
- ✿ Med žaganjem naj motor deluje s polnimi vrtljaji.
- ✿ Med uporabo verižne žage morate imeti stabilen položaj, hkrati pa ne smete nikoli žagati nad višino ramen.
- ✿ Upoštevajte navodila proizvajalca glede mazanja in ostrenja verige.
- ✿ Uporabljajte le verige in meče, ki jih je predpisal proizvajalec ali njegov pooblaščenec.

## Navodila za rokovanje z gorivom

Motor verižne žage uporablja visoko vnetljivo mešanico goriva. Posod z gorivom ne shranjujte, niti slednjega ne točite blizu odprtega ognja, peči na drva, električne napeljave, predelov, kjer varijo ali blizu katerihkoli drugih virov vročine ali ognja, ki bi lahko zanetili požar.

- ✿ Med uporabo verižne žage in med samim točenjem goriva, je kajenje prepovedano.
- ✿ Med točenjem goriva naj bo verižna žaga ugasnjena, blizu pa naj ne bo nobenega odprtega ognja.
- ✿ Če se po verižni žagi razlije gorivo, slednjega temeljito obrišite s suho krpo.
- ✿ Po točenju goriva trdno privijte pokrovček posode za gorivo, in verižno žago prestavite vsaj 3 m proč ter jo zaženite.

## 4. OPIS VERIŽNE ŽAGE IN PRILOŽENE VSEBINE



Slika 1

### Opis verižne žage (glejte sliko 1)

- |                             |                                 |
|-----------------------------|---------------------------------|
| 1. Varnostno stikalo plina  | 7. Veriga                       |
| 2. Ročica za plin           | 8. Meč                          |
| 3. Stikalo za vklop         | 9. Zapora premikanja            |
| 4. Pokrov posode za gorivo  | 10. Držalo vrvice za zaganjanje |
| 5. Pokrovček posode za olje | 11. Vijak pokrova filtra zraka  |
| 6. Sprednji ročaj           | 12. Ročica dušilne lopute       |
|                             | 13. Varovalka ročice za plin    |

Vsebina paketa: Bencinska verižna žaga, 405 mm meč Oregon, veriga Oregon, plastični pokrov meča, umerjena posoda za mešanje goriva, komplet orodja s pilo.

## 5. NAMESTITEV KREMLJASTEGA NASLONA, MEČA IN VERIGE

**⚠ POZOR!** Med nameščanjem ali pregledovanjem verige vedno nosite zaščitne rokavice, sicer se z ostrimi rezili lahko poškodujete.

### Namestitev krempljastega naslona

✿ S priloženim šestrobim ključem privijte krempljasti naslon na ležišče, glejte sliko (Slika 2).

### Namestitev meča in verige

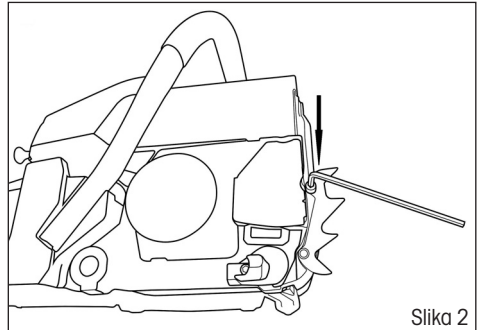
- ✿ Ročica zapore premikanja verige (Slika 1, točka 9) mora biti sproščena (stisnite jo ob ročaj)
- ✿ Odvijte dve matici in odstranite pokrov zobnika (Slika 3, točka 1).
- ✿ Verigo namestite v utor meča in okoli zobnika (zobato kolesce). Medtem držite verigo na meču.

**⚠ POZOR!** Zatič za prilagajanje napetosti verige (Slika 3, točka 2) se mora prilegati luknji v meču (Slika 3, točka 3). Položaj tega zatiča lahko prilagajate z vijakom za napenjanje verige (Slika 5)

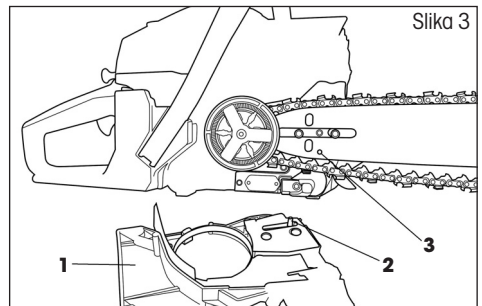
**⚠ POZOR!** Poskrbite, da bo veriga vedno pravilno nameščena na zobnik (Slika 4). V nasprotnem primeru, lahko pride do poškodb.

- ✿ Pokrov zobnika namestite nazaj. Vijakov ne privijte do konca, privijte jih le z roko, tako, da boste lahko nastavili napetost verige.
- ✿ Napnite verigo s privitjem vijaka za napenjanje (Slika 5), nato s priloženim ključem privijte matici pokrova zobnika

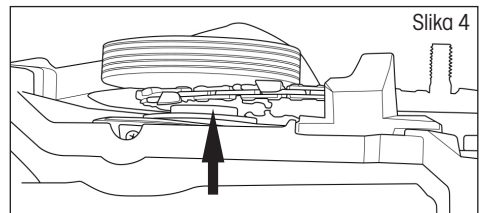
**⚠ POZOR!** Veriga je pravilno napeta, če jo je na sredini meča, ki je v vodoravnem položaju, možno dvigniti za 3 do 4 mm proč od meča.



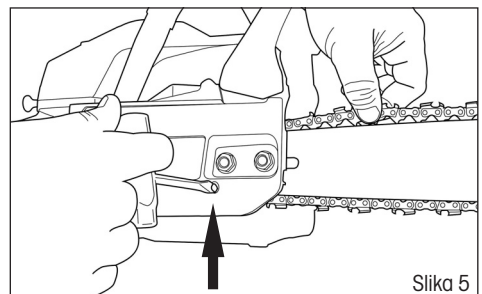
Slika 2



Slika 3



Slika 4



Slika 5

## 6. GORIVO IN OLJE ZA MAZANJE VERIGE

### Točenje olja v posodo za olje

**⚠ POZOR!** Novo verigo morate približno 5 minut utekati. V tej fazi je zelo pomembno, da je zagotovljeno zadostno mazanje. Po utekanju preverite napetost verige in jo po potrebi prilagodite.

- ✿ Posoda za olje je ob dobavi verižne žage prazna. V posodo za olje zato natočite ustrezno količino predpisanega olja.
- ✿ Uporabljajte le olje, ki je namenjeno za mazanje s popolno porabo
- ✿ Odvijte pokrovček posode za olje (Slika 6, točka 1).
- ✿ V posodo natočite ustrezno količino olja (pazite, da med točenjem olja v posodo za olje ne bodo zašle nečistoče).
- ✿ Privijte pokrovček posode za olje.
- ✿ Pred začetkom uporabe verižne žage ne sme biti rezervoar za olje popolnoma prazen, ker lahko to poškoduje meč in verigo.
- ✿ Raven olja lahko preverite, če odvijete pokrovček.

**⚠ POZOR!** Nikoli ne uporabljajte rabljenega ali predelanega olja, kajti to lahko poškoduje črpalko za olje.

### Priprava gorivne mešanice

**⚠ POZOR!** Goriva nikoli ne točite v posodo, če se nahajate v zaprtih in premalo zračenih prostorih.

**⚠ POZOR!** Goriva ne točite v bližini odprtega ognja ali vira iskenja.

**⚠ POZOR!** Posode za gorivo ne napolnite do konca. Pred zagonom motorja temeljito obrišite morebitno razlito gorivo.

**⚠ POZOR!** Če je motor vroč, GORIVA NE TOČITE.

- ✿ Dvotaktni motor vašega rezalnika uporablja gorivno mešanico neosvinčenega bencina in motornega olja za dvotaktne motorje. Pri prvih dveh urah uporabe uporabite razmerje 25:1 in po prvih dveh urah uporabe razmerje 40:1.

**⚠ POZOR!** Gorivna mešanica, ki ni pripravljena v razmerju lahko poškoduje motor. Poskrbite za pripravo ustrezne gorivne mešanice.

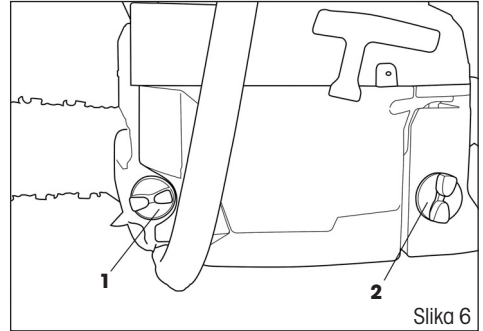
- ✿ Pri mešanju bencina z oljem za dvotaktne motorje, uporabite le bencin BREZ ETANOLA ali METANOLA (vrsti alkoholov).
- ✿ Uporabite kakovostni bencin z oktanskim številom 95 ali več. To bo pomagalo preprečiti morebitne poškodbe na sistemu za gorivo in na drugih delih motorja.
- ✿ Za pripravo gorivne mešanice priporočamo, da uporabite priloženo umerjeno posodo. GORIVNE MEŠANICE NIKOLI NE PRIPRAVLJAJTE NEPOSREDNO V POSODI ZA GORIVO.
- ✿ Odvijte pokrovček posode za gorivo (Slika 6, točka 2) in natočite gorivo. Nato privijte pokrovček nazaj.

## Shranjevanje goriva

Gorivo shranjujte je v čistih, varnih in odobrenih posodah. Predpise, ki urejajo shranjevanje goriva in predpisujejo vrste posod za shranjevanje goriva, si pridobite pri lokalnih oblasteh.

**⚠ POZOR!** Gorivna mešanica za dvotaktne motorje se lahko loči. Pred vsako uporabo temeljito pretresite posodo z gorivom.

**⚠ POZOR!** Gorivo se med shranjevanjem stara. Nikoli ne pripravljajte več gorivne mešanice, kot jo boste porabili v enem mesecu.



Slika 6

## 7. PRIPRAVA ZA DELOVANJE

**⚠ POMEMBNO:** Upošteвайте navodila za pripravo gorivne mešanice! Če ne upoštevate teh navodil, lahko poškodujete motor! Ne uporabljajte gorivne mešanice, ki je bilo shranjeno dlje kot dva meseca. Gorivna mešanica, ki je bila shranjena dlje kot dva meseca, bo povzročila težave pri zagonu in nižjo zmogljivost motorja. Če imate več, kot dva meseca staro gorivno mešanico, jo ustrezno odstranite in pripravite novo.

**⚠ POZOR!** Uporabo bencinskih verižnih žag morda urejujejo lokalni predpisi.

- ✿ Redno preverjajte, če je na verižni žagi morda kakšen del poškodovan ali manjka. Če je verižna žaga poškodovana, neustrezno nastavljena ali ji manjka kašen del, je nikakor ne uporabljajte.
- ✿ Preverite, če so vsi vijaki, matice in pritrilni elementi dobro pritrjeni. Privijte morebitne premalo prвите vijake.
- ✿ Preverite stanje filtra zraka. Pred začetkom dela temeljito očistite filter zraka.
- ✿ Preverite, da zapora verige pravilno deluje. Pravilno napeto verigo lahko, na sredini meča, ki je postavljen vodoravno, dvignete za približno 3 do 4 mm.
- ✿ Ročaja morata biti vedno suha, čista in brez sledi olja ali goriva.
- ✿ Preverite tesnjenje posode za gorivo.
- ✿ Preverite delovno območje, obdelovanec, ki ga želite prerezati in določite smer rezanja. Odstranite ovire.
- ✿ Nikoli ne začnite z delom, če so na delovnem območju ovire ali nimate stabilnega stojišča, oziroma se v primeru padca požaganega drevesa v nepredvideno smer, ne bi mogli varno umakniti.
- ✿ Še posebej pazite na naključne mimoidoče in živali, ki morajo biti oddaljeni vsaj 2,5 krat dlje, kot je dolžina drevesa, ki ga podirate.

**⚠ POZOR!** Priporočena kombinacija meča in verige temelji na tehničnih parametrih, ki so zapisani v poglavju 14. Ne uporabljajte verižne žage z mečem, ki je daljši od 45 cm (18"). Uporaba daljšega meča lahko občutno zmanjša moč žage.

## Zapora verige (Slika 1, točka 9)

Ta verižna žaga ima nameščeno samodejno zaporo, ki v primeru povratnega udarca takoj zaustavi verigo. Zapora se zaradi sile, ki deluje na balast pod zadnjim pokrovom aktivira samodejno. Zaporo lahko aktivirate tudi ročno, če potisnete sprednji zaščitni okvir naprej proti meču.

Zaporo sprostite tako, da stisnete sprednji zaščitni okvir nazaj, proti ročaju verižne žage.

**POZOR!** Pred vsako uporabo preverite delovanje zapore verige.

### Preverjanje delovnega zaporedja zapore.

- ☛ Delujočo verižno žago postavite na tla in jo 1 do 2 sekundi pustite delovati s polno hitrostjo.
- ☛ Ročico zapore (Slika 1, točka 9) pomaknite naprej. Veriga bi se morala takoj zaustaviti.

**POZOR!** Če se veriga zaustavi počasi ali se sploh ne zaustavi, verižne žage ne uporabljajte več, temveč jo dostavite k pooblaščenemu serviserju.

- ☛ Če želite sprostiti zaporo verige, stisnite ročico zapore proti ročaju toliko, da boste slišali tipični zvok sprostitve zapore.

**POZOR!** Preverite, da zapora verige pravilno deluje. Pravilno delovanje zapore verige vas bo zaščitilo pred potencialnimi poškodbami, ki jih lahko povzroči povratni udarec.

Če zapora verige ne deluje pravilno, jo dajte nastaviti ali v popravilo k pooblaščenemu serviserju.

# 8. ZAGON IN IZKLOP VERIŽNE ŽAGE

## **OPOZORILO**

- ☛ Pred zagonom motorja se prepričajte, da se veriga premika prosto vzdolž meča in se ne dotika ob dele žage.
- ☛ Ko motor deluje v prostem teku, se veriga ne sme premikati. V nasprotnem primeru se obrnite na pooblaščen servis in dajte napravo na pregled ter odpravo napak.
- ☛ Pred zagonom motorja se prepričajte, da se ročica za plin prosto giblje.

**POZOR:** Izpostavljenost tresljajem lahko škodljivo vpliva na zdravje oseb, ki imajo težave z ožiljem ali živčnim sistemom. Če boste med uporabo rezalnika zaznali kakršne koli fizične težave, kot so izguba občutka ali zaznavanja, izguba običajne moči ali spremembo barve kože, se obrnite na zdravnika. Ti simptomi se najpogosteje pojavijo na prstih, dlaneh in zapestjih.

### Zagon hladnega motorja

1. Stikalo za vklop preklopite v zgornji položaj (glejte Slika 7, točka 1)
2. Povlecite ročico dušilne lopute (Slika 7, točka 2), vendar ne premikajte ročice plina.
3. Postavite verižno žago na tla, tako da bo v stabilnem položaju in povlecite vrstico za zaganjanje in spremljajte odzivanje motorja, ki se bo začel zaganjati (Slika 8).
4. Na tej točki potisnite ročico dušilne lopute noter (Slika 7, točka 2) in nekajkrat povlecite vrstico za zaganjanje motorja.



**⚠ POZOR!** Predolgo zaganjanje motorja z izvlečeno ročico dušilne lopute bo povzročilo zalitje vžigalne svečke in otežilo zagon.

5. Pred začetkom dela, pustite, motor nekaj časa delovati na mestu, da se ogreje do delovne temperature.

### Zagon vročega motorja

1. Stikalo za vklop preklonite v zgornji položaj (glejte Slika 7, točka 1)
2. Povlecite ročaj vrvice za zaganjanje in zaženite motor (Slika 8).  
NE UPORABLJAJTE ROČICE DUŠILNE LOPUTE!

**⚠ POZOR!** Če med delom do konca porabite gorivo, počakajte, da se motor ohladi, natočite gorivo v posodo za gorivo in izvedite postopek ZAGANJANJA HLADNEGA MOTORJA.

### Nadzor števila vrtljajev

- ✿ Za povečanje števila vrtljajev, najprej z dlanjo potisnite navzdol varovalo ročice plina (Slika 7, točka 4) in nato s prstom stisnite ročico plina (Slika 7, točka 5)
- ✿ Če želite zmanjšati hitrost vrtenja, sprostite ročico plina

### Zaustavitev motorja

- ✿ Sprostite ročico plina (Slika 7, točka 5) in preklonite stikalo za vklop v položaj "Stop" (Slika 1, točka 1).

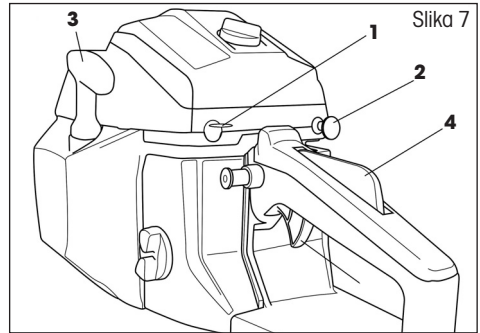
### ⚠ OPOZORILO

Hlapi izpušnih plinov motorja vsebujejo kemične snovi, ki so škodljive za zdravje. Nikoli ne vdihavajte teh hlapov. Verižno žago zato vedno zaganjajte na prostem.

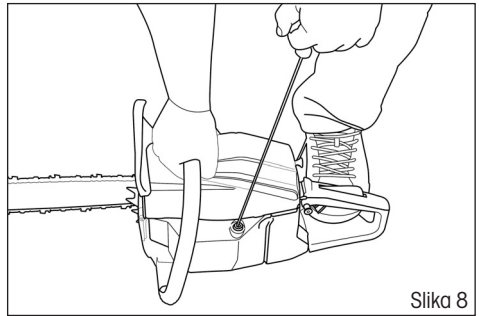
### Preverjanje mazanja verige

**⚠ POZOR!** Med delom upoštevajte varnostna priporočila in pazite, da z mečem ne boste zadeli ob podlago ali tla. Električno orodje uporabljajte varno, pri čemer ga držite vsaj 20 cm od tal.

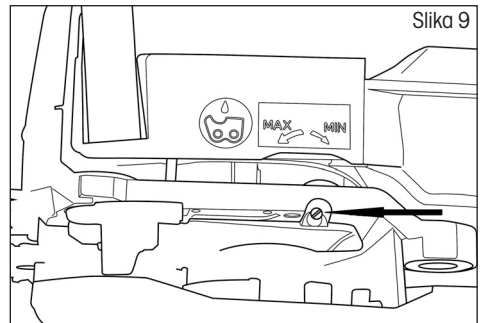
- ✿ Pred začetkom dela preverite kakovost mazanja in količino olja v posodi za olje. Zaženite verižno žago in jo držite nad tlemi. Če na podlagi vidite sled



Slika 7



Slika 8



Slika 9

olja, je mazanje zadostno. Če na tleh ne vidite sledi olja, prilagodite intenzivnost mazanja na verižni žagi (Slika 9)

- ☛ Če tudi potem mazanje verige ne bo zadostno, očistite oljno šobo (pod pokrovom zobnika), zgornjo luknjo za napenjanje verige in cevi za olje, oziroma se posvetujte s pooblaščenim serviserjem.

## 9. NASTAVLJANJE NAPETOSTI VERIGE

**⚠ POZOR!** Zaradi segrevanja, ki nastane med delovanjem, se veriga lahko raztegne. Daljša veriga je bolj ohlapna in lahko zdrsne z meča.

- ☛ Odvijte pritrdilni matici pokrova zobnika.
- ☛ Poskrbite, da bo veriga lepo sedla v utor na meču.
- ☛ Napenjalni vijak lahko prilagajate z izvijačem (Slika 5). Napenjalni vijak obrnite za toliko, da bo veriga ustrezno napeta (če jo dvignete na sredini vodoravno postavljenega meča, se lahko premakne za 3 do 4 mm).
- ☛ Nato čvrsto privijte matici meča.

**⚠ POZOR!** Verige ne napnite preveč. Če je vroča veriga preveč napeta, se bo pri ohlajanju še bolj napela.

## 10. REZANJE

**⚠ POZOR!** Pred začetkom dela, si pazljivo preberite poglavje »Varnostna navodila«. Priporočamo, da izkušnje pridobivate z rezanjem manjših kosov. Na ta način se boste seznanili z delovanjem verižne žage.

- ☛ Vedno upoštevajte varnostna navodila. Verižno žago lahko uporabljate le za rezanje lesa. Rezanje drugih materialov ni dovoljeno. Vibracije in povratni udarci se pri rezanju različnih materialov razlikujejo. Te verižne žage ne uporabljajte kot pripomoček za dvigovanje, premikanje ali razvrščanje materiala. Na verižno žago ni dovoljeno nameščati nobenih dodatkov, kot le te, ki so navedeni v tehnični dokumentaciji.
- ☛ Verižne žage med žaganjem ni treba pritiskati s silo. Če motor deluje pri polni hitrosti, verižno žago le počasi pritiskajte proti kosu, ki ga žagate.
- ☛ Če se verižna žaga ujame v špranj, je ne poskušajte izvleči s silo, raje jo ugasnite in razširite špranjo z lesenim ali plastičnim klinom.

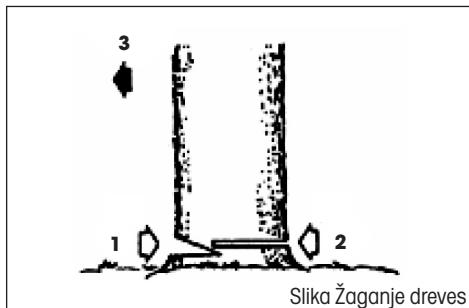
### Zapora premikanja verige (zaščita pred povratnim udarcem)

- ☛ Ta verižna žaga ima nameščeno samodejno zaporo, ki mora v primeru povratnega udarca takoj zaustaviti verigo. Pred vsako uporabo verižne žage obvezno preverite delovanje zapore premikanja verige. Verižno žago zaženite s polno hitrostjo za 1 do 2 sekundi, nato sprednji zaščitni pokrov pomaknite naprej. Veriga se mora takoj zaustaviti, čeprav motor še vedno deluje s polno hitrostjo. Če se veriga zaustavi počasi ali se sploh ne zaustavi, verižno žago dostavite k pooblaščenemu serviserju.

- ☼ Za varno in pravilno uporabo verižne žage je izjemno pomembno, da stalno zagotavljate brezhibno delovanje zapore premikanja verige in tudi ostrino verige, kajti s tem zagotovite varnost tudi v primeru povratnega udarca. Odstranitev varnostnih elementov, neustrezno vzdrževanje ali uporaba ne predpisanega meča oziroma verige, lahko privede do povratnega udarca, ki povzroči poškodbe.

### Sečnja dreves

- ☼ Pred rezanjem določite smer, v katero bo drevo padlo, pri čemer upoštevajte smer pihanja vetra, nagib drevesa in razporeditev vej, ter ostale dejavnike, ki bi lahko bistveno vplivali na padeč drevesa.
- ☼ Področje okoli drevesa mora biti čisto, brez ovir, hkrati pa mora zagotavljati stabilen položaj. Predvideti morate tudi smer umika v sili.
- ☼ Na strani, na katero naj bi drevo padlo, približno od ene tretjine premera zažagajte klinasto zarezo. (glejte sliko Sečnja dreves, točka 1)
- ☼ Na nasprotni strani klinaste zareze začnite rezati malce nad njenim nivojem. (glejte sliko Sečnja dreves, točka 2)
- ☼ Drevo bo padlo v smeri klinaste zareze. (glejte sliko Sečnja dreves, točka 3)



Slika žaganje dreves

**⚠ POZOR!** Pri sečnji dreves opozorite druge na nevarnost poškodb.

Sečnja dreves zahteva ustrezne izkušnje, zato ne priporočamo, da se teh opravil lotevate, če še niste zadosti izkušeni.

### Žaganje hlodov

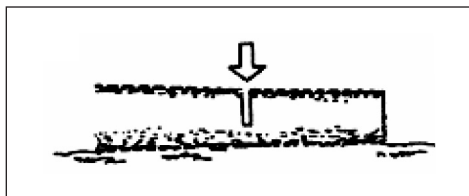
**⚠ POZOR!** V vsakem trenutku poskrbite za varno oporo nog in ravnotežje. Ne stojte na hlodih.

**⚠ POZOR!** Pred začetkom dela preverite, če so vsi deli na svojih mestih, matice ter vijaki pa dobro priviti.

- ☼ Hlod, ki ga odžagate se bo morda odkotalil proč. Če delo opravljate na klančini, vedno stojte nad hlodom, ki ga žagate.
- ☼ Povratne udarce lahko preprečite, če upoštevate navodila v poglavju »Varnostna navodila«.
- ☼ Preden začnete z žaganjem, ugotovite, v katero smer delujejo sile na hlodu. Končni rez morate vedno opraviti z nasprotne strani, kot je smer delovanja sile hloda, kajti le tako se meč verižne žage ne bo ujel v špranjo.
- ☼ Verižne žage med prenašanjem nikoli ne zaganjajte, na meču pa imejte nameščen zaščitni pokrov.

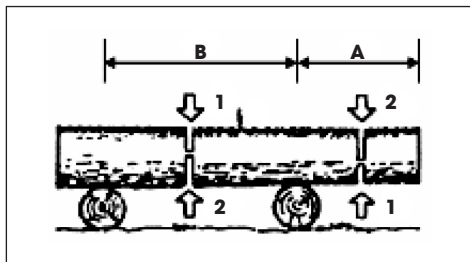
Deblo, ki leži na tleh

- ☼ Najprej zarezite od vrha do polovice, nato deblo obrnite in dokončajte rez z druge strani.



Deblo, ki je nad tlemi

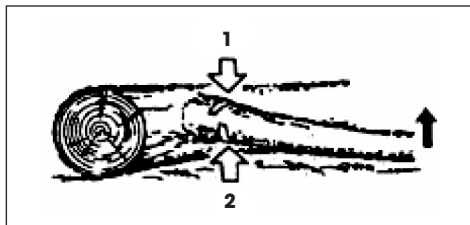
- Na delu »A« zarezžite od spodaj, do tretjine debla, nato dokončajte rez od zgoraj. Na delu »B« zarezžite od zgoraj, do tretjine debla, nato dokončajte rez od spodaj.



### Razrez padlega drevesa

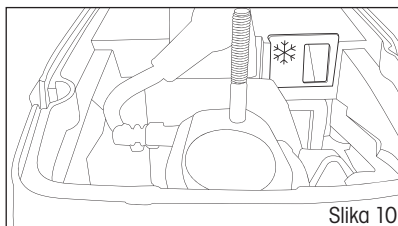
- Najprej ugotovite, v katero smer se nagibajo veje. Nato zarezžite v vejo iz smeri v katero se nagiba in dokončajte rez z nasprotno smeri.

**POZOR!** Odžagana veja, ki se nagiba lahko po rezanju udari navzgor.



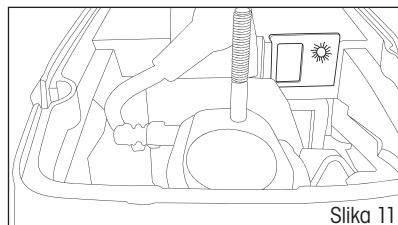
### Pri temperaturah pod 0 °C

- Loputo, ki se nahaja za filtrom za zrak nastavite na zimski položaj, glej sl. 10. Prikazan mora biti simbol "snežinka", ki ponazarja zimo. Ta nastavev omogoča vsrkavanje mešanico toplega zraka, ki cirkulira okoli cilindra in na ta način onemogoča formiranje ledu v uplinjaču.



Slika 10

- Pri temperaturah nad +10 °C, vrnite loputo v položaj za poletje, sicer se lahko motor pregreje in privede do nepravilnega delovanja ali okvare motorja. Prikazan mora biti simbol "sonce", ki ponazarja poletje, glej sl. 11.



Slika 11

## 11. ČIŠČENJE IN VZDRŽEVANJE

**POZOR!** Pred čiščenjem, pregledovanjem ali popravilom verižne žage, mora biti motor ugasnjen, vžigalna svečka pa odstranjena, da ne bi prišlo do nehotenega zagona motorja.

### Vzdrževanje po vsaki uporabi

- Odstranite meč ter z verižne žage s ščetko očistite nakopičen prah ter žagovino. Trdovratnejše nanose odstranite z lopatico ali izvijačem.

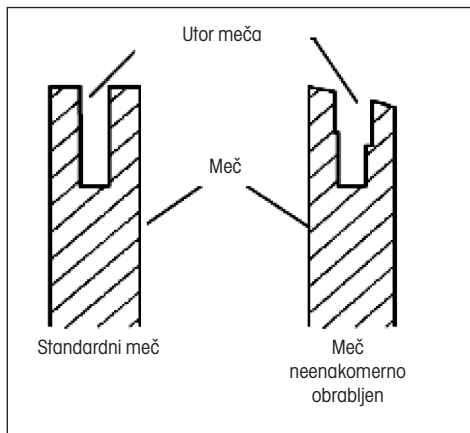
- ✿ **Filter zraka:**  
Odvijte vijak (slika 1, točka 11) in odstranite pokrov filtra zraka. Izvlecite vložek filtra in s ščetko odstranite morebitne nakopičene nečistoče. Če je vložek filtra zaprašen, ga razstavite in operite v bencinu. Če imate na voljo stisnjeni zrak, z njim izpihajte vložek filtra od znotraj navzven.
- ✿ **Odprtina za mazanje:**  
Odstranite meč in preverite pretočnost odprtine za mazanje.
- ✿ **Meč:**  
Ko ste meč odstranili, s ščetko očistite prah iz utora in odprtine za mazanje.
- ✿ **Ostali deli:**  
Preverite tesnjenje olja, privitost matic in vijakov ter brezhibnost nameščenih delov, še posebej pa bodite pozorni na mestih, kjer sta pritrjena ročaja ali meč. Vsakršno ugotovljeno napako morate pred naslednjo uporabo verižne žage odpraviti.

## Čiščenje ohišja verižne žage

Ohišje verižne žage naj bo vedno čisto. Mehko krpo namočite v milnico in jo ožemite. S to krpo nato podrobno očistite ohišje verižne žage.

## Vzdrževanje meča

- ✿ Najpogostejše težave z mečem nastanejo zaradi neenakomerne obrabe. Do neenakomerne obrabe pride zaradi neustrezno naostrenih členov verige ali neustrezno nastavljene globine rezanja. Neenakomerno obrabljen meč ima razširjen utor verige (glejte sliko). Posledica tega je rožljanje verige in izmet zakovic. Z verižno žago ne morete več rezati ravnih rezov. V takšnem primeru zamenjajte meč z novim.
- ✿ Pred ostrenjem verige preverite stanje meča. Uporaba obrabljenega ali poškodovanega meča lahko privede do poškodb. Če boste uporabljali prekomerno obrabljen ali poškodovan meč, boste poškodovali tudi verigo. Rezanje s takšnim orodjem bo težavnejše in zahtevnejše.



## Običajno vzdrževanje meča

- ✿ Odstranite meč iz ležišča.
- ✿ Iz utora meča redno odstranjujte žaganje in prah. Za čiščenje uporabljajte žično ali ščetinasto ščetko.
- ✿ Vedno po končanem delu očistite oljne nanose očistite.
- ✿ Meč zamenjajte v primeru, da:
  - je upognjen ali počen
  - je njegov utor močno obrabljen ali poškodovan

**OPOMBA:** Pri menjavi meča upoštevajte navodila, ki so v tem uporabniškem priročniku. Ustrezni nadomestni meč lahko izberete s pomočjo tehničnih specifikacij.

## 12. OSTRENJE VERIGE

Veriga naj bo vedno ostra. Rezanje z ostro verigo bo potekalo veliko hitreje in tudi varneje. Topa veriga povzroča hitrejšo obrabo zobnika, meča, verige in prekomerno obremenjuje motor. Če med žaganjem morate močno pritiskati verižno žago ob obdelovanec, iz špranje pa leti le droben prah in malo ostružkov, to pomeni, da je veriga topa.

**V takšnem primeru vam priporočamo, da se posvetujete s pooblaščenim serviserjem**

### Oprema, ki jo potrebujete za ostrenje verige

- \* Okrogla pila, ki je navedena v tehničnih specifikacijah
- \* Merilnik globine
- \* Vodilo pile
- \* Primež
- \* Srednje velika ploščata pila

### Ostrenje zob verige

Vodilo pile nastavite pod kotom  $30^\circ$  (oznaka A, glejte sliko).

- \* Nastavite napetost verige na predpisano.
- \* Meč vpnite v primež, tako da bo veriga v stabilnem položaju.

**OPOMBA:** Verige ne pritrjujte v primež.

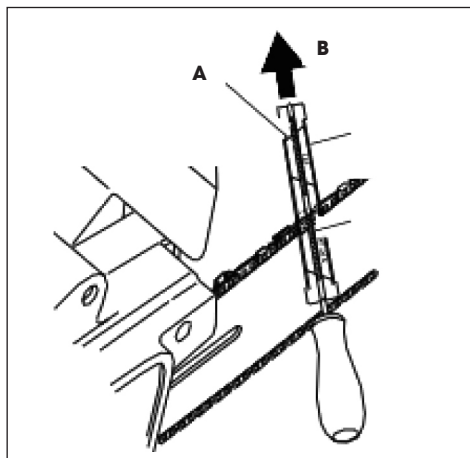
- \* Ploščato pilo, ki ste jo vstavili v vodilo, potisnite v utor med zgornjo ploščo in merilnikom globine na verigi. Veriga se mora dofikati tako zgornje plošče, kot tudi merilnika globine (glejte sliko)

**OPOMBA:** Pila na sredini vodila.

**OPOMBA:** Na sliki lahko vidite položaj vodila pile in smer piljenja zoba na levi strani verige.

- \* Vodilo postavite na verigo pod predpisanim kotom (oznaka A, glejte sliko). Preverite, če je oznaka  $30^\circ$  na vodilu pile poravnana s sredino meča. To bo zagotovilo, da bo vaša pila pod kotom  $30^\circ$  na meč.
- \* S pilo brusite zob v smeri od noter navzven (v smeri B, glejte sliko), dokler slednji ne bo zadosti oster. Brusite le v tej smeri.

**OPOMBA:** Praviloma zob postane zadosti oster, če po njem dvakrat do trikrat povlečete s pilo.

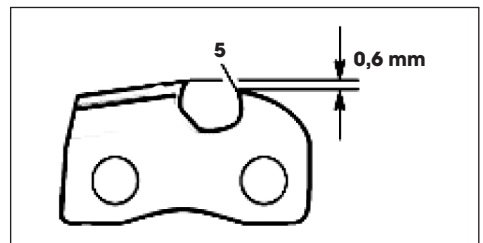
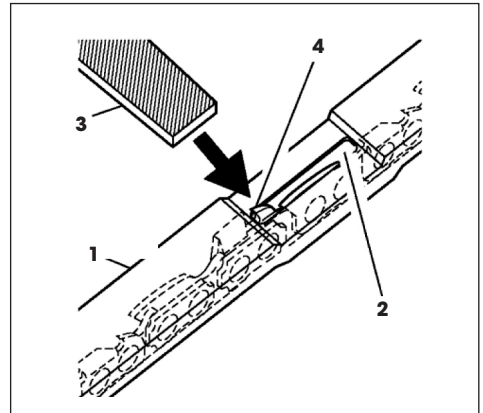


## Uporaba merilnika globine

Kot posledica ostrenja zob verige, se zmanjšuje tudi njihova globina. Po vsakem drugem ali tretjem ostrenju, morate prilagoditi merilnik globine.

- ✿ Prilagojevalnik (glejte sliko, točka 1) čvrsto postavite na konici dveh zaporednih zob. Poskrbite, da se bo utor prilagojevalnika prilagajal zobu (glejte sliko, točka 2).
- ✿ Uporabite srednje veliko ploščato pilo (glejte sliko, točka 3). Merilnik globine (glejte sliko, točka 4) pomikajte vzdolž prilagojevalnika.
- ✿ Odstranite prilagojevalnik. S ploščato pilo poravnajte konico zoba z merilnikom globine (glejte sliko). Med ostrenjem zob upoštevajte predpisane mere (glejte sliko, točka 5).

**OPOMBA:** Vsakih nekaj ročnih ostrenj zobe verige, naj slednjo strojno naostri pooblaščen servisier, ki ima specialno napravo za ostrenje. Tako boste zagotovili enakomerno ostrino vseh zob verige.



# 13. MENJAVA VERIGE

**⚠ POZOR!** Pri menjavi verige nikoli ne vpenjajte verižne žage ali meča v primež.

Če opazite, da so zobje verige prekomerno obrabljeni in jih ni več možno naostriti, jo zamenjajte z novo. Uporabite le originalno nadomestno verigo, ki je navedena v tehničnih specifikacijah. Ob menjavi verige zamenjajte tudi zobnik. Tako boste zagotovili, da bo veriga vedno v pravem položaju. (Opomba: Tehnične podatke o predpisani vrsti verige in zobnika si lahko ogledate v tehničnih specifikacijah tega priročnika).

- \* Odvijte in odstranite vodilni vijak meča.
- \* Odstranite pokrov zobnika.
- \* Odstranite verigo.
- \* Novo verigo namestite na zobnik, nato jo vstavite v zgornji utor meča ter napeljite okoli sprednjega dela meča.

**⚠ POZOR!** Poskrbite, da bodo zobje verige obrnjeni v pravo smer. Verigo namestite tako, da bodo zobje na zgornjem delu meča obrnjeni naprej (glejte sliko).

- \* Preden namestite zobnik v ležišče, preverite, če je zatič za prilagajanje napetosti verige vstavljen v luknjo na meču.
- \* Pokrov zobnika namestite nazaj na ohišje verižne žage.
- \* Privijte vijak meča in tako pritrdite pokrov zobnika.

**⚠ POZOR!** Vijak privijte z roko.

- \* Nastavite napetost verige.
- \* Privijte vijak meča.

**⚠ POZOR!** Poskrbite, da boste verigo namestili v pravilni smeri.

V nasprotnem primeru bo verižna žaga pri rezanju povzročala prekomerne vibracije in ne bo rezala.





# 14. TABELA VZDRŽEVANJA

Zavedajte se, da se navedeni intervali vzdrževanja nanašajo le na standardne delovne pogoje. Če je dnevno delo zahtevnejše od običajnega, se morajo ustrezno skrajšati intervali vzdrževanja.		Pred vsako uporabo	Po vsakem odmoru za dodajanje goriva	Vsak teden	Ko pride do poškodb	Kot je zahtevano
Celotni stroj	Preverite: iztekanje, razpoke in obrabljenost	X	X			
Preverite: sprožilac, zaganjalnik, vzvod dušilne lopute in zapah vzvoda dušilne lopute	Preverite razporeditev dela	X	X			
Zavora verige	Preverite razporeditev dela	X	X			
	Kontrolno mora opraviti pooblaščen mehanična delavnica				X	
Rezervoarja za gorivo in olje	Preverite: iztekanje, razpoke in obrabljenost	X	X			
Filter za gorivo	Kontrolni pregled in čiščenje			X		
	Zamenjava filtrirnih elementov				X	Vsaki 6 mesecev
Mazanje verige	Preverjanje moči žage	X	X			
Veriga	Preverite: poškodbe, ostrino verige in obrabljenost	X	X			
	Preverite napetost	X	X			
	Ostrenje: preverite globino žganja				X	
Meč	Preverite: poškodbe in obrabljenost	X	X			
	Čiščenje žlebov in oljnih vodov	X				
	Vrtenje, mazanje pogonskega kolesa in odstranjevanje iskrenja			X		
	Zamenjava				X	
Verižnik	Preverite: poškodbe in obrabljenost			X		Zamenjava z novo verigo
Priključek	Preverite: poškodbe in obrabljenost			X		
	Zamenjava				X	
Vzmet verige	Preverite: poškodbe in obrabljenost	X	X			
	Zamenjava				X	
Vse dosegljive matice in vijaki (razen vijaki na uplinjaču)	Preverite in zategnite			X		
Zračni filter	Očistite	X				
	Zamenjava				X	Vsaki 6 mesecev
Rebra valja in reže v pokrovu zaganjalnika	Očistite			X		
Zaganjalna vrvica	Preverite: poškodbe in obrabljenost			X		
	Zamenjava				X	
Uplinjač	Preverite hitrost v prostem teku (veriga se v prostem teku ne sme vrteti)	X	X			
Vžigalna svečka	Preverite razdaljo elektrod			X		
	Zamenjava				X	Vsaki 6 mesecev
Sistem proti tresljajem	Preverite: poškodbe in obrabljenost			X		

# 15. ODPRAVLJANJE NAPAK

<b>OPOZORILO:</b> pred preverjanji, ki so navedena v tabeli, vedno izklopite napravo in odstranite vtič z vžigalne svečke razen v primerih, ko mora naprava delovati.		
Če ste preverili vse možne vzroke in težave niste odpravili, kontaktirajte s pooblaščenim servisnim centrom. Če ste ugotovili težavo, ki je ni v tabeli, kontaktirajte s pooblaščenim servisnim centrom.		
TEŽAVA	MOŽNI VZROKI	REŠITEV
Motorja ni mogoče zagnati ali se ustavi nekaj sekund po zagonu. (Prepričajte se, ali je stikalo v položaju »I«)	<ol style="list-style-type: none"> <li>1. Vžigalna svečka se ne iskri</li> <li>2. Motor je zalit</li> </ol>	<ol style="list-style-type: none"> <li>1. Preverite, ali se vžigalna svečka iskri. Če se vžigalna svečka ne iskri, ponovite test z novo vžigalno svečko (WXL7T).</li> <li>2. Odstranite vtič svečke za vžig, povlecite nekajkrat zaganjalno vrstico. Znova namestite vtič vžigalne svečke in zaženite brez čoka.</li> </ol>
Motor se zažene, a ne poveča pravilno svoje hitrosti in ne teče pravilno z veliko hitrostjo.	Nastaviti je treba uplinjač.	Za nastavev uplinjača kontaktirajte s pooblaščenim servisnim centrom.
Motor ne doseže polne hitrosti in/ali se iz njega preveč kadi.	<ol style="list-style-type: none"> <li>1. Preverite mešanico bencin - olje.</li> <li>2. Umazan zračni filter.</li> <li>3. Nastaviti je treba uplinjač.</li> </ol>	<ol style="list-style-type: none"> <li>1. Uporabljajte le sveži bencin in olje, ki je primerno za dvotaktne motorje.</li> <li>2. Očistite filter; glejte navodila v poglavju 11.</li> <li>3. Za nastavev uplinjača kontaktirajte s pooblaščenim servisnim centrom.</li> </ol>
Motor se zažene, deluje in pospeši, da ne ohranja hitrosti prostega teka.	Nastaviti je treba uplinjač.	Za nastavev uplinjača kontaktirajte s pooblaščenim servisnim centrom.
Meč in veriga se med delovanjem segrevata in dviguje se dim.	<ol style="list-style-type: none"> <li>1. Prazen rezervoar olja za žagino verigo</li> <li>2. Žagina veriga je preveč napeta</li> <li>3. Sistem mazanja ne deluje pravilno</li> </ol>	<ol style="list-style-type: none"> <li>1. Rezervoar z oljem je treba napolniti vsakokrat, ko polnite rezervoar za gorivo.</li> <li>2. Napenjanje verige; glejte navodila v poglavju 5.</li> <li>3. Pustite, da 15-30 sekund teče na najvišji hitrosti. Ustavite in preverite, ali olje izteka na konici meča. Če je tam olje, lahko napačno delovanje povzroči popuščena veriga ali poškodovani meč. Če tam ni olja, kontaktirajte s servisnim centrom</li> </ol>
Motor se zažene, a veriga ne teče. <b>OPOZORILO:</b> če motor deluje, se nikoli ne dotikajte verige	<ol style="list-style-type: none"> <li>1. Aktivirana je zavora verige</li> <li>2. Žagina veriga je preveč napeta</li> <li>3. Namestitev meča in verige</li> <li>4. Poškodovana veriga in/ ali meč</li> <li>5. Poškodovana sklopka in/ ali zobnik</li> </ol>	<ol style="list-style-type: none"> <li>1. Sprostite sklopko žagine verige; glejte poglavje 7.</li> <li>2. Napenjanje verige; glejte navodila v poglavju 9.</li> <li>3. Glejte navodila v poglavju 5.</li> <li>4. Glejte navodila v poglavju 11. in 13.</li> <li>5. Če je treba, zamenjajte; kontaktirajte s pooblaščenim servisnim centrom</li> </ol>

## 16. TEHNIČNI PARAMETRI

Vrsta .....	FZP 5016 B
Prostornina motorja .....	50,4 cm <sup>3</sup>
Maksimalna moč motorja.....	2,0 kW / 11 500 vrt/min
Maksimalno število vrtljajev motorja z nameščeno verigo.....	11 500 vrt/min
Maksimalno število vrtljajev motorja v prostem teku.....	3 000 vrt/min
Dolžina meča .....	405 mm
Dolžina rezanja .....	345 mm
Korak zob.....	0,375 "
Širina vodilnega utora .....	1,5 mm
Število členov verige.....	57
Premer pile .....	4 mm
Teža (brez meča in verige).....	5,75 kg
Dimenzije (z nameščenim mečem in verigo).....	790 x 235 x 245 mm
Gorivna mešanica (bencin : olje).....	40:1
Prostornina posode za gorivo .....	540 ml
Prostornina posode za olje.....	240 ml
Olje za mazanje verige.....	olje za mazanje s popolno porabo
Sistem za mazanje verige.....	nastavljiva samodejna črpalka
Raven zvočnega tlaka.....	LpA: 115 dB(A)
Zagotovljena raven emisije moči zvoka .....	LwA: 108 dB(A)
Tresljaji* – sprednji ročaj.....	7,212 m/s <sup>2</sup>
Tresljaji* – zadnji ročaj.....	6,530 m/s <sup>2</sup>

Leto izdelave: 2016

\* Če ugotovite, da postajajo tresljaji, ki se prenašajo na ročaj, občutno slabši v primerjavi s stanjem, ko je bila žagina veriga še nova, preverite obrabljenost bloka za blaženje tresljajev (z gumo prevlečeni nameščeni elementi) in, če je treba, kontaktirajte s pooblaščenim servisnim centrom, da bi opravili zamenjavo.

**⚠ POZOR!** Delo z verižno žago s sistemom za vlaženje tresljajev, ki deluje nepravilno, lahko povzroči zdravstvene težave.

# 17. ODLAGANJE

## NAVODILA IN INFORMACIJE O ODLAGANJU UPORABLJENE EMBALAŽE

Rabljeno embalažo odlagajte na mestih za ločeno zbiranje odpadkov.



Naprava in njeni dodatki so izdelani iz različnih materialov, npr. iz kovine in plastike. Poškodovane dele dostavite v reciklažni center. Za podrobnosti se posvetujte pri ustreznem državnem organu.



Ta izdelek izpolnjuje vse osnovne zahteve, ki jih predpisujejo direktive EU.

Pridržujemo si pravico za spreminjanje besedila, oblike in tehničnih specifikacij brez opozorila.

Uporabniški priročnik v izvirnem jeziku.

# 18. IZJAVA O SKLADNOSTI

## ES-izjava o skladnosti

Fast ČR, a.s., Černokostelecká 251 01 Říčany u Prahy, telefon: 323204111, izjavlja, da bencinska motorna verižna žaga Fieldmann FZP 5016-B (letnica izdelave je odtisnjena na tipski ploščici, ki se nadaljuje z serijsko številko naprave), ustreza zahtevam DIREKTIVE SVETA

ES-Direktiva o strojih (MD) 2006/42/ES (98/37/EDC)

ES-Direktiva o elektromagnetni združljivosti (EMC)

ES-Direktiva o hrupu (ND) 2005/88/ES (2000/14/ES)

ES-Direktiva o emisiji plinov 2002/88/ES

in da je bila preizkušena skladno z naslednjimi standardi:

EN ISO 11681-1:2011

EN ISO 14982:1998; EN ISO 14982:2009

EN ISO 3744:2010

ISO 9207:1995

Tehnične specifikacije:

50,4 cm<sup>3</sup>, 2,0 kW

CE oznaka: 15

Říčany, 29.11.2015

ime žig podpis

Petr Uher

Vodja oddelka kakovosti

**FAST** FAST ČR, a.s. ©  
Černokostelecká 1621  
251 01 Říčany u Prahy  
ICO: 26726548 tel.: +420/ 323 204 111  
DIC: CZ26726548 fax: +420/ 323 204 110











Vyplní prodejce. | Vyplní predajca. | To be filled in by the seller.  
 | Wypełnia sprzedawca. | A kereskedő tölti ki.

Název: | Názov: | Name: | Nazwa: | Megnevezés:

Typ: | Type: | Típus:

Výrobní číslo: | Výrobné číslo: | Serial number: | Numer seryjny: | Gyártási szám:

 V prípade opravy vyplní servis. | V prípade opravy vyplní servis. | To be filled in by a repair shop  
 in case of repair. | W przypadku naprawy wypełniają serwis. | Javítás esetén a szerviz tölti ki.

 Datum oznámení nároku na záruku: | Dátum oznámenia nároku na záruku: | Date of notification of  
 the entitlement to warranty: | Data zgłoszenia roszczeń gwarancyjnych: | A jótállási igény  
 bejelentésének időpontja:

 Den: | Deň: | Day: | Dzień: | Nap: ..... Měsíc: | Mesiac: | Month: | Miesiąc: | Hő: ..... Rok: | Ró: | Year: | Év: **20** .....

 Datum převzetí do opravy: | Dátum prevzatia do opravy: | Data przyjęcia do naprawy: | Date of  
 accepting for repair: | Javításra átvétel időpontja:

 Den: | Deň: | Day: | Dzień: | Nap: ..... Měsíc: | Mesiac: | Month: | Miesiąc: | Hő: ..... Rok: | Ró: | Year: | Év: **20** .....

Důvod poruchy: | Dóvod poruchy: | Cause of defect: | Przyczyna awarii: | Hiba oka:

A termék azonosításra alkalmas részeinek meghatározása (amennyiben alkalmazható):

 Číslo prodejního dokumentu: | Číslo predajného dokumentu: | Sales document no.: | Numer  
 dokumentu sprzedawcy: | Vásártást igazoló bizonylat száma:

 Datum nákupu (uvezení do provozu): | Dátum nákupu (uvezenie do prevádzky): | Date of pur-  
 chase (putting into operation): | Data zakupu (przekazania do eksploatacji): | A vásártás (uzem-  
 be helyezés) időpontja:

 Den: | Deň: | Day: | Dzień: | Nap: ..... Měsíc: | Mesiac: | Month: | Miesiąc: | Hő: ..... Rok: | Ró: | Year: | Év: **20** .....

 Razítko prodejce: | Pečiatka predajcu: | Seller's stamp: | Pieczęć sprzedawcy: | Kereskedő  
 bélyegzője:

Způsob opravy: | Spósob opravy: | Mode of repair: | Spósob naprawy: | Javítás módja:

 Datum vráčení výrobku zpět zákazníkovi: | Dátum vrátenia výrobku späť zákazníčkovi: | Date  
 of returning the product back to the customer: | Data zwrotu wyrobu klientowi: | A termék  
 fogyasztó részére való visszadásának időpontja:

 Den: | Deň: | Day: | Dzień: | Nap: ..... Měsíc: | Mesiac: | Month: | Miesiąc: | Hő: ..... Rok: | Ró: | Year: | Év: **20** .....

 Nová záruční lhůta – prodloužená o délku opravy: | Nová záručná lehota – predĺžená o dĺžku  
 opravy: | New warranty period – extended by the duration of the repair: | Nowy termin gwa-  
 rancyjny – przedłużony o czas naprawy: | A jótállás – kijavítás időtartamával meghosszabbí-  
 tott – új határideje:

 Den: | Deň: | Day: | Dzień: | Nap: ..... Měsíc: | Mesiac: | Month: | Miesiąc: | Hő: ..... Rok: | Ró: | Year: | Év: **20** .....

 Razítko servisu: | Pečiatka servisu: | Stamp of the repair shop: | Pieczęć serwisu: | Szerviz  
 pecsétje:

Autorizovaná servisní střediska | Autorizované servisné strediská | Authorized service centres

**FAST ČR, a. s.**

 Černokostelecká 1621  
 CZ 251 01 Říčany  
 Česká republika  
 Tel.: +420/ 323 204 120  
 Fax: +420/ 323 204 121  
 servis.praha@fastcr.cz  
 www.fastcr.cz

**FAST ČR, a. s.**

 Cejl 31  
 CZ 602 00 Brno  
 Česká republika  
 Tel.: +420/ 531 010 295  
 Fax: +420/ 531 010 296  
 servis.brno@fastcr.cz  
 www.fastcr.cz

**Fast Plus, spol. s r. o.**

 Na Pántoch 18  
 SK 831 06 Bratislava  
 Slovenská republika  
 Tel.: +421/2/49 105 854  
 Fax: +421/2/49 105 859  
 servis@fastplus.sk  
 www.fastplus.sk

További információkért | Aby uzyskać więcej informacji | További információkért

**Fast Hungary Kft.**

 Dulácska u. 1/a.  
 H-2045 Törökbálint  
 Magyarország  
 Tel.: + 36/ 23 330 905  
 Fax: + 36/ 23 330 827  
 info@fasthungary.hu  
 www.fasthungary.hu

**Arconet sp. z o.o.**

 W celu znalezienia  
 najbliższego serwisu  
 prosimy zadzwonić:  
 0801 44 33 22  
 Lub odwiedzić stronę  
 internetową:  
 www.arconet.pl

**Uab „Senuku Prekybos**
**Centras“ Garantinis Servisas**  
 Jonavos G. 62, Lt-44192,  
 Kaunas, Lithuania  
 Tel.: +370 37 212 146  
 Tex.: +370 37 212 165  
 garrem@senukai.lt  
 www.senukai.lt



Vom Verkäufer auszufüllen. | Para ser llenado el vendedor. | À remplir par le vendeur.  
 | Popuni prodavatelj. | Da compilare dal venditore. | Door de verkoper in te vullen.

Name: Denominación: | Dénomination: | Naziv: Nome: Naam:

Typ: Modelo: Type: Tip: Tipo:

Produktionsnummer: No. de serie: Numéro de référence: Numer serjynjy: Numero di  
 fabbricazione broj szám: Serienummer:

Im Falle einer Reparatur vom Service auszufüllen. | Para ser llenado por el servicio, en caso de  
 reparación. | À remplir par le service de réparation en cas de réparation. | U slučaju popravke  
 popuni servis. | Nel caso di un riparo va compilato dal Centro di Assistenza. | Door servicecentrum  
 in te vullen bij reparatie.

Datum der Bekanntmachung des Anspruchs auf Garantie: Fecha de notificación de derecho a  
 garantía: Date de notification de l'application de la garantie: Datum obavijesti jamstvenog  
 zahtjeva: Data della notifica del diritto alla garanzia: Datum waarop beroep op garantie is  
 gedaan:

Tag: Día: Jour: | Monat: Mes: Mois: | Jahr: Año Année: 20  
 Dan: Giorno: Dag: | Mjese: Mese: Maand: | Godina: Anno: Jaar: .....

Datum der Übernahme zur Reparatur: Fecha de aceptación para reparación: Date de la  
 remise au service de réparation: Datum prijema za popravak: Data della presa in carico  
 per riparazione: Datum waarop reparatie is aangenomen:

Tag: Día: Jour: | Monat: Mes: Mois: | Jahr: Año Année: 20  
 Dan: Giorno: Dag: | Mjese: Mese: Maand: | Godina: Anno: Jaar: .....

Grund der Störung: Motivo de la avería: Cause du défaut: Przyczyna awarii: Motivo del  
 guasto: Reden van defect

A termék azonosításra alkalmas részeinek meghatározása [amennyiben alkalmazható]:

Numerus des Verkaufsbeleges: No. de documento de venta: Numéro de document de vente:  
 Broj kupoprodajnog dokumenta: N. documento di vendita: Nummer van aankoopbewijs:

Datum des Einkaufs [Inbetriebnahme]: Fecha de compra [puesta en servicio]: Date d'achat  
 [Mise en service]: Datum kupnje [puštanja u pogon]: Data di acquisto [messa in funzione]:  
 Aankoopdatum [ingebruikname]:

Tag: Día: Jour: | Monat: Mes: Mois: | Jahr: Año Année: 20  
 Dan: Giorno: Dag: | Mjese: Mese: Maand: | Godina: Anno: Jaar: .....

Stempel des Verkäufers: Sello del vendedor: Tampon du vendeur: Pečat prodavatelja:  
 Timbro del venditore: Stempel van verkoper:

Art der Reparatur: Forma de reparación: Type de réparation: Način popravke: Tipologia  
 di riparazione: Wijze van repareren:

Datum der Rückgabe des Produktes dem Kunden: Fecha de devolución del producto al  
 cliente: Date de la remise du produit au client: Datum povratka proizvođača natrag kupcu:  
 | Data del ritiro del prodotto da parte del cliente: Datum waarop klant product weer in  
 ontvangst heeft genomen:

Tag: Día: Jour: | Monat: Mes: Mois: | Jahr: Año Année: 20  
 Dan: Giorno: Dag: | Mjese: Mese: Maand: | Godina: Anno: Jaar: .....

Neue Garantiefrist - verlängert um die Dauer der Reparatur: Nuevo plazo de garantía -  
 prorrogado por el tiempo de reparación: Nouveau délai de garantie - prolongé de la durée  
 de la réparation: Novi jamstveni rok - produžen o trajanje popravke: Nuovo termine di  
 garanzia, rinnovato a seguito di riparazione: Dieuwe garantietermijn - verlenging met de  
 duur van reparatie

Tag: Día: Jour: | Monat: Mes: Mois: | Jahr: Año Année: 20  
 Dan: Giorno: Dag: | Mjese: Mese: Maand: | Godina: Anno: Jaar: .....

Stempel der Servicestelle: Sello del servicio | Tampon du service de réparation: Pečat  
 servisa: Timbro del Centro di Assistenza Tecnica: Stempel van servicecentrum:

### Autorizirane Servisestellen | Centros de servicio autorizados | Centres autorisés de réparation

#### FAST ČR, a. s.

Černokostelecká 1621  
 CZ 251 01 Říčany  
 Česká republika  
 Tel.: +420/ 323 204 120  
 Fax: +420/ 323 204 121  
 servis.praha@fastcr.cz  
 www.fastcr.cz

#### FAST ČR, a. s.

Cejl 31  
 CZ 602 00 Brno  
 Česká republika  
 Tel.: +420/ 531 010 295  
 Fax: +420/ 531 010 296  
 servis.brno@fastcr.cz  
 www.fastcr.cz

#### Fast Plus, spol. s r. o.

Na Páňotech 18  
 SK 831 06 Bratislava  
 Slovenská republika  
 Tel.: +421/2/49 105 854  
 Fax: +421/2/49 105 859  
 servis@fastplus.sk  
 www.fastplus.sk

### Autorizirana servisna centra | Centri di Assistenza autorizzati | Geautoriseerde servicecentra

#### Fast Hungary Kft.

Dulácska u. 1/a.  
 H-2045 Törökbálint  
 Magyarország  
 Tel.: + 36/ 23 330 905  
 Fax: + 36/ 23 330 827  
 info@fasthungary.hu  
 www.fasthungary.hu

#### Arconet sp. z o.o.

W celu znalezienia  
 najbliższego serwisu  
 prosimy zadzwonić:  
 0801 44 33 22  
 Lub odwiedzić stronę  
 internetową:  
 www.arconet.pl

#### Uab „Senuku Prekybos

Centras“ Garantinis Servisas  
 Jonavos G. 62, Lt-44192,  
 Kaunas, Lithuania  
 Tel.: +370 37 212 146  
 Tex.: +370 37 212 165  
 garrem@senukai.lt  
 www.senukai.lt

## Garantiebedingen

Der Verkäufer gewährt dem Kunden eine Garantie auf das Produkt in den ersten 24 Monaten nach der Übernahme des Produktes durch den Käufer. Die Garantie wird zu den unten genannten Bedingungen gewährt. Die Garantie bezieht sich nur auf die Artikel, die dem Verkäufer zur in der entsprechenden Betriebsanleitung genannten Zwecke verkauft wurden. Die Rechte aus der Mängelhaftung (Beurteilung) kann der Käufer direkt beim Verkäufer geltend machen, bei dem das Produkt gekauft wurde, oder in der unten genannten autorisierten Servicestelle. Der Käufer ist verpflichtet, die Bestandteile ohne unnötigen Verzögerung zu machen, so dass sich der Mangel nicht verschlechtert, spätestens bis Ende der Garantiefrist. Der Käufer ist verpflichtet, bei der Beanstandung Hilfe beim Prüfen des Bestehens des beanstandeten Mangels zu leisten. Zur Beanstandung können nur komplette und aus heutiger Sicht funktionstüchtige Produkte angenommen werden. Wenn die Beanstandung gerechtfertigt ist, verlängert sich die Garantiezeit um die Zeit von der Geltendmachung der Beanstandung bis zum Moment der Übernahme des reparierten Produktes durch den Käufer oder bis zum Moment, wenn der Käufer nach Beendigung der Reparatur verpflichtet ist, das Produkt zu übernehmen. Der Käufer ist verpflichtet, sein Recht auf Beanstandung nachzuweisen (Kaufbeleg, Garantiebescheinigung, Beweis über die Inbetriebnahme des Produktes...).

### Die Garantie bezieht sich vor allem nicht auf:

- Mängel, auf die Rabatt gewährt worden ist; Verschleiß- und Beschädigung durch die übliche Benutzung des

Produktes ■ Beschädigung des Produktes infolge unsachgemäßer oder falscher Installation, Benutzung des Produktes im Widerspruch zur Betriebsanleitung, zu den gültigen Rechtsvorschriften und den allgemein bekannten und üblichen Nutzungsmethoden, infolge der Nutzung des Produktes zu einem anderen Zweck, als für welchen das Produkt bestimmt ist ■ Beschädigung des Produktes infolge vernachlässigter oder falscher Wartung ■ Beschädigung des Produktes durch Verschmutzung, Unfall oder durch höhere Gewalt (Naturkatastrophe, Brand, Eindringen von Wasser...) ■ Funktionsfehler des Produktes durch ungeeignete Qualität des Signals, ein strenges elektromagnetisches Feld usw. ■ Mechanische Beschädigung des Produktes (z. B. Bruch des Knopfes, Sturz...) ■ Beschädigung durch ungeeignete Mittel, Flüssigkeiten, Verbrauchsmaterial (Batterie) oder ungeeignete Betriebsbedingungen (z. B. hohe Umgebungstemperatur, hohe Luftfeuchtigkeit, Staub, Erschütterungen...) ■ Beschädigung, Anpassung oder einen anderen Eingriff in das Produkt durch die nicht berechnete oder nicht autorisierte Person (Service) ■ Fälle, wenn der Käufer bei der Beanstandung die Berechtigung seiner Rechte nicht nachweist (wenn und wo das beanstandete Produkt gekauft wurde) ■ Fälle, wenn sich die Angaben in den vorgelegten Belegen in dem am Produkt angeführten Angaben unterscheiden ■ Fälle, wenn das beanstandete Produkt mit dem in den Belegen, mit denen der Käufer sein Recht auf Beanstandung nachweist, angeführten Produkt nicht identifiziert werden kann (z. B. Beschädigung der Produktionsnummer oder Garantieplombe des Gerätes; überschriebene Angaben in den Belegen...).

## Condiçions de garantie

Le vendeur accorde à l'acheteur une garantie du produit s'étalant sur 24 mois à partir de la vente du produit par l'acheteur. La garantie s'applique selon les conditions suivantes. La garantie concerne uniquement la nouvelle marchandise vendue au consommateur pour une utilisation conforme au mode d'emploi relatif. L'acheteur peut faire valoir ses droits à la garantie des défauts (l'acheteur apprécie au vendeur qui lui a vendu le produit ou auprès d'un des services autorisés agréés ci-dessous). La réclamation doit être faite par l'acheteur sans tarder afin d'éviter la détermination du défaut, avant la fin de la période de garantie au plus tard. Lors de la réclamation, la coopération de l'acheteur est nécessaire pour vérifier l'existence du défaut réclaté. S'écoule un produit complet et, pour des raisons d'hygiène, propre est accepté pour la procédure de réclamation. En cas de réclamation justifiée, la période de garantie est prolongée de la période allant du moment de l'application de la réclamation jusqu'à la reprise du produit réparé par l'acheteur ou jusqu'à sa réparation / l'acheteur doit reprendre le produit après la réclamation ou sa réparation. L'acheteur doit prouver ses droits à la réclamation (la production du justificatif d'achat, de la fiche de garantie, du certificat de la mise en service du produit...).

### La garantie ne s'applique pas notamment à:

- aux défauts donan lieu à une promotion ou à l'usage et l'endommagement provoqués par l'utilisation courante du produit ■ l'endommagement du produit provoqué par une installation défectueuse ou incorrecte, à l'utilisation du produit non conforme au mode d'emploi, aux prescriptions juridiques en vigueur, et aux utilisations généralement connues et ha-

bituales, à l'endommagement du produit provoqué par l'usage improprie auquel celui-ci n'est pas destiné ■ l'endommagement du produit provoqué par la négligence de l'utilisateur ou l'entretien incorrect ■ l'endommagement du produit provoqué par l'entretien incorrect, l'accident ou la force majeure (le sinistre, l'incendie, l'irradiation d'eau...) ■ aux vices de fonctionnement provoqués par la mauvaise qualité de signal, le champs magnétiques interférent, etc. ■ l'endommagement mécanique du produit (p. ex. le bouton cassé, la chute...) ■ l'endommagement du produit provoqué par les métaux incompatibles, la charge, le matériel de consommation (les piles) ou par les conditions de fonctionnement incompatibles (p. ex. la température environnementale trop élevée, l'humidité de l'environnement important, les secousses...) ■ l'endommagement, la modification ou une autre intervention effectuée sur le produit par une personne (un service) incompétent ou non autorisée ■ aux cas où l'acheteur ne prouve pas, lors de la réclamation, le bon fonctionnement de ses droits (le lieu et le jour de son achat du produit) ■ aux cas où les données figurant dans les documents présentés par l'acheteur afin de faire valoir ses droits à la réclamation (p. ex. le numéro de référence ou le plomb de garantie de l'appareil endommagé, les informations figurant dans les documents écrits...).

## Condiçioni di garanzia

Il Venditore garantisce il prodotto per il periodo di 24 mesi dalla presa in consegna del prodotto da parte dell'Acquirente. La garanzia è concessa alle condizioni indicate di seguito. La garanzia si riferisce solo alla merce nuova, venduta all'utente ai fini di utilizzo alle valenze in relativo manuale d'uso. L'Acquirente può far valere i diritti per la responsabilità per difetti (il reclamo) o presso il Venditore, presso il quale il prodotto è stato comprato, o presso l'Assistenza autorizzata indicato sotto. L'Acquirente è tenuto a far valere il reclamo senza indugi, affinché non si avveri un peggioramento del difetto, e comunque entro e non oltre la scadenza del termine di garanzia. Presentando il reclamo, l'Acquirente è tenuto a collaborare in modo necessario al fine della verifica dell'esistenza del difetto reclamato. Nella procedura del reclamo viene ammesso solo un prodotto completo e pulito a garanzia delle norme sull'igiene. Nel caso di un reclamo giustificato, il termine di garanzia viene prolungato del periodo che è trascorso dal momento della presentazione del reclamo al momento della presa in consegna, da parte dell'Acquirente, del prodotto riparato o al momento in cui l'Acquirente è tenuto a ritirare il prodotto alla fine della riparazione. L'Acquirente è tenuto a dimostrare il proprio diritto a presentare il reclamo (il documento di acquisto del prodotto, il certificato di garanzia, un documento attestante la messa del prodotto in funzione...).

**Non sono coperti dalla garanzia soprattutto:**  
■ il difetto per cui il prodotto è stato acquistato con sconto ■ il logoramento e il danneggiamento del prodotto, provocati dal suo uso abituale ■ il danneggiamento del produ-

## Condiçoes de garantia

O vendedor proporcionará una garantía de 24 meses al comprador a partir de la recepción del producto por parte de éste. La garantía se otorga bajo las siguientes condiciones. La garantía se aplica solamente a los productos nuevos que se venden a los consumidores para el uso indicado en las instrucciones de manejo correspondientes. Los derechos de responsabilidad de defectos (reclamación) el comprador los puede aplicar, ya sea en el vendedor donde compró el producto o en el centro de servicio autorizado abajo indicado.

El comprador está obligado a hacer una reclamación sin demora injustificada para evitar el deterioro del defecto, pero a más tardar a finales del periodo de garantía. El comprador está obligado a establecer las sinergias necesarias ante una reclamación para verificar la existencia del defecto reclamado. En el procedimiento de reclamación sólo se acepta el producto íntegro y limpio por razones de cumplimiento de normas de higiene. En el caso de reclamaciones justificadas, el periodo de garantía se extiende por el periodo comprendido entre el momento de la fecha de reclamación y el momento en que el comprador recibe el producto reparado, o a partir del momento en que el comprador está obligado a recoger el producto después de reparado. El comprador está obligado a probar su derecho a reclamar (comprobante de compra, hoja de derecho, documento de puesta en servicio del producto...).

### La garantía no se aplica a:

- defectos que fueron objeto de rebaja ■ desgaste y daños causados por el uso normal del producto ■ daños en el producto debido a una instalación inadecuada o inco-

recta, el uso del producto en contradicción con las instrucciones de manejo, las normas jurídicas vigentes y los patrones de uso conocidos y convencionales. Daños en el producto, debido a un uso diferente de aquel para el que fue concebido ■ daños en el producto por negligencia o mantenimiento inadecuado ■ daños en el producto causados por su contaminación, accidente y por fuerza mayor (desastres naturales, incendios, peneetración de agua...) ■ defectos en el funcionamiento del producto causados por mala calidad de la señal, interferencia de campo electromagnético, etc. ■ daños mecánicos en el producto (p.ej., rotura del botón, caída...) ■ daños causados por el uso de medios inadecuados, accesorios, materiales consumibles (baterías) o condiciones de trabajo inadecuadas (tales como temperaturas ambiente elevadas, alta humedad, estrechamientos...) ■ daños, modificación o cualquier otra intervención en el producto por personas no calificadas o no autorizadas (por el centro de servicios) ■ los casos en que el comprador no prueba la existencia de sus derechos a reclamar (fecha y lugar donde compró el producto reclamado) ■ los casos en que los datos en los documentos difieren de la información contenida en el producto ■ los casos en que el producto reclamado no puede ser identificado con el producto mencionado en los documentos, con los que el comprador pruebe su derecho a reclamar (p.ej., daños en el número de serie o el sello de la garantía de dispositivos, datos transcritos en los documentos...).

## Janstveni

Prodatelj daje kupcu jamstvo na proizvod u trajanju od 24 mjeseca od dana primika proizvoda kupcem. Jamstvo se daje pod sljedećim uvjetima. Jamstvo se odnosi samo na novu robu koja je prodana potrošaču u svrhu korištenja koje je navedeno u odgovarajućim uputi za upotrebu. Prava koja proizlaze iz odgovornosti za nedostate (reklamacija) može kupac primijeniti kod prodavatelja koji je kupio proizvod ili u dolje navedenom autoriziranom servisu. Kupac je obavezan reklamirati primijeniti bez suvišnog odlaganja, kako bi se izbjeglo pogoršanje nedostata, ali najkasnije do kraja jamstvenog roka. Kupac je dužan pružiti potrebne suradnju kod reklamacije koja je neophodna za provjeru postojanja reklamiranog nedostata. U reklamacijski postupak prima se samo kompletni i u razlogu održavanja higijenski pristupa čist proizvod. U slučaju opravdanje reklamacije se jamstveni rok proizvoda u razloznoj ili trenutno primljene reklamacije do trenutka primka opravdanje proizvoda kupcem ili trenutka, kada je kupac nakon popravaka popravke obavezan proizvod preuzeti. Kupac je dužan dokazati svoja prava za reklamaciju (Kupoprodajni dokument o kupnji proizvoda, jamstveni list, dokument o puštanju proizvoda u pogon...).

### Jamstvo se ne odnosi naime na:

- nedostata koja je bio pruženi popust ■ habanje ili oštećenje koje je nastalo normalnim korištenjem proizvoda ■ oštećenja proizvoda koja je uzrokom nestručne ili neispravne instalacije,

korištenja proizvoda u suprotnosti sa uputom za upotrebu, važećim pravim propisima i opće poznatim i uobičajenim pravilima korištenja, iz razloga korištenja u druge svrhe nego kojima je namijenjen ■ oštećenje proizvoda iz razloga zanemarano ili nepropisno održavanje ■ oštećenje proizvoda prouzrokovano nepravilnim uplajanjem, nezgodom i utjecajem visoke sile (elementarna nepogoda, požar, prodor vode...) ■ nedostatak u funkcionalnosti proizvoda koji su prouzrokovane nepovoljnim kvalitetom signala, smetnjom elektromagnetičnih polja i sl. ■ mehaničko oštećenje proizvoda (npr. smoljenje jupolje, pad...) ■ oštećenje prouzrokovano korištenjem neispravnih medija, napajanja, potrošačkog materijala (baterije) ili neispravnih radnim uvjetima (npr. visoke temperature u okolišu, visoka vlažnost okoliša, potresi...) ■ oštećenje, prilagodbu ili drugu intervenciju izvršenu na proizvodu neovlaštenim ili neautoriziranim osobama (servisom) ■ slučajve kada kupac priklom reklamacije neće dokazati opravdanost njegovih prava (kada i gdje je kupio reklamirani proizvod) ■ slučajve kada je prodavao u predočtenim ispravama različite od podataka navedenih na proizvodu ■ slučajve kada proizvod nije moguće identificirati sa proizvodnom kopijom je naveden u dokumentima, kojima kupac dokazuje svoja prava za reklamaciju (npr. oštećenje proizvoda ili jamstvena plomba zavrtanja, prepisivañi podaci u dokumentima...).

## Garantievoorwaarden

## Garantievoorwaarden

De verkoper geeft de eindgebruiker een garantie van 24 maanden op het product vanaf de dag van de aankoop. Deze garantie is geldig onder de volgende voorwaarden. Garantie is alleen van toepassing op nieuwe goederen die aan de consument zijn verkocht met als doel deze te gebruiken in overeenstemming met de gebruiksaanwijzing en het doel waarvoor ze gemaakt zijn. De eindgebruiker kan een beroep doen op de garantie bij de verkoper waar hij het product heeft gekocht of bij een hieronder vermeld, geautoriseerd servicecentrum. De eindgebruiker is verplicht om het product zo snel mogelijk, maximaal voor het einde van de garantieperiode, terug te sturen om te voorkomen dat het defect verder verslechtert. De eindgebruiker moet in geval van reparatie binnen de garantieperiode meewerken aan het documenteren van het geconstateerde defect. Alleen complete artikelen die volgens de hygiënische voorschriften zijn gereinigd, kunnen ter reparatie worden aangenomen. Indien het product voor reparatie in aanmerking komt, wordt de garantieperiode verlengd met de periode vanaf het moment dat de reparatie is aangevraagd tot het moment dat de eindgebruiker het gerepareerde product weer in ontvangst neemt of wanneer de eindgebruiker het product in ontvangst neemt van de reparatie-afdeling in ontvangst dient te nemen. De eindgebruiker is verplicht om zijn recht op reparatie te bewijzen (aankoopbewijs, garantiebewijs, bewijs van gebruikruimte van product...).

### De garantie vervalt indien er sprake is van:

- mechanische defecten aan het product (bijv. afbreken van de knoppen, val...) ■ schade als gevolg van het gebruik van ongeschikte media, vullingen, vording (batterijen) of ongeschikte operationele omstandigheden (bijv. hoge omgevings temperatuur, zeer vochtige omgeving, aardbevingen...) ■ schade of reparatie of andere ingrepen die door niet-bevoegde of niet-geautoriseerde personen (of serviceorganisaties) aan het product zijn gedaan ■ gevallen van schade by de eindgebruiker bij een verzoek tot reparatie binnen de garantieperiode niet bewijst dat hij daar recht op heeft (wanneer en waar hij het teruggestuurde product heeft gekocht heeft) ■ gevallen waarin de gegevens op de overlegde documenten verschillen van de gegevens die op het product vermeld worden ■ gevallen waar het teruggestuurde product niet geïdentificeerd kan worden aan de hand van het product dat vermeld wordt in de documenten waarmee de eindgebruiker zijn recht op reparatie binnen de garantieperiode uitoefent (bijv. beschadigde serie-nummers van garantiezegel, veranderde gegevens in de documenten...).

Заполняется продавцом.

Название:

Тип:

Серийный номер изделия

В случае ремонта заполняется сервисной организацией.

Дата обращения в сервисный центр:

Число: ..... Месяц: ..... Год: 20 .....

Дата принятия в ремонт:

Число: ..... Месяц: ..... Год: 20 .....

Причина неисправности:

A termék azonosításra alkalmas részeinek meghatározása (amennyiben alkalmazható):

Номер документа, подтверждающего продажу:

Дата покупки (ввода в эксплуатацию):

Число: ..... Месяц: ..... Год: 20 .....

Печать продавца:

Способ ремонта:

Дата возврата изделия обратно заказчику:

Число: ..... Месяц: ..... Год: 20 .....

Новый гарантийный срок – продлен на срок проведения ремонта:

Число: ..... Месяц: ..... Год: 20 .....

Печать сервисной организации:

## Авторизованные сервисные центры

## AO «FAST ČR»

Чернокостелецка 1621  
251 01 Ржичаны  
Чешская Республика  
Тел.: +420/323 204 120  
Факс: +420/323 204 121  
servis.praha@fastcr.cz  
www.fastcr.cz

## AO «FAST ČR»

Цейл 31  
602 00 Брно  
Чешская Республика  
Тел.: +420/531 010 295  
Факс: +420/531 010 296  
servis.brno@fastcr.cz  
www.fastcr.cz

## 000 «FAST Plus»

На Пантох 18  
831 06 Братислава  
Словацкая Республика  
Тел.: +421/2/49 105 854  
Факс: +421/2/49 105 859  
servis@fastplus.sk  
www.fastplus.sk

## Авторизованные сервисные центры

## Fast Hungary Kft.

Dulácska u. 1/a.  
H-2045 Törökbálint  
Magyarország  
Тел.: + 36/ 23 330 905  
Факс: + 36/ 23 330 827  
info@fasthungary.hu  
www.fasthungary.hu

## Arconet sp. z o.o.

W celu znalezienia  
najbliższego serwisu  
prosimy zadzwonić:  
0801 44 33 22  
Lub odwiedzić stronę  
internetową:  
www.arconet.pl

Uab „Senuku Prekybos  
Centras” Garantinis Servisas

Jonavos G. 62, Lt-44192,  
Kaunas, Lithuania  
Тел.: +370 37 212 146  
Тех.: +370 37 212 165  
garrem@senukai.lt  
www.senukai.lt

Продавец предоставляет покупателю гарантию на товар в течение 24 месяцев с момента получения товара покупателем. Гарантия предоставляется при соблюдении следующих условий. Гарантия распространяется только на новый товар, проданный потребителю для целей использования, указанных в соответствующей инструкции по эксплуатации. Покупатель имеет право обратиться с претензией, связанной с ответственностью за некачественный товар (рекламацией), непосредственно к продавцу, у которого был приобретен товар, либо в авторизованный сервисный центр, указанный ниже. Покупатель обязан предъявить рекламацию без необоснованной задержки, чтобы избежать ухудшения неисправности, но не позднее, чем до конца истечения гарантийного срока. Покупатель обязан при решении рекламации оказывать содействие, необходимое для проверки наличия заявленного дефекта. В рамках процедуры рассмотрения жалоб принимается только комплектный и, в целях соблюдения гигиенических правил, чистый товар. В случае если претензия является обоснованной, гарантийный срок продлевается на период с момента принятия товара для проведения гарантийного ремонта изделия по момент получения отремонтированного товара покупателем, либо по момент, когда покупатель обязан получить товар после проведения гарантийного ремонта. Покупатель обязан предъявлять документы, подтверждающие его право на проведение гарантийного ремонта (документ, подтверждающий покупку, гарантийный талон, документ о вводе в эксплуатацию ...).

### **Гарантийные обязательства на товар, главным образом, не распространяются на:**

■ недостатки, на которые была предоставлена скидка ■ износ и повреждения, вызванные обычным использованием изделия ■ повреждения изделия в результате неспециализированной или неправильной установки и монтажа, использования изделия в противоречии с Инструкцией по эксплуатации, действующим законодательством и общеизвестными и обычными способами использования, в связи с использованием товара для других целей, чем те, для которых он предназначен ■ повреждения изделия, вызванные с пренебрежением или неправильным техническим обслуживанием ■ повреждения изделия, вызванные его загрязнением, аварией и форс-мажорными обстоятельствами (стихийными бедствиями, пожаром, попаданием воды ...) ■ неисправности изделия, вызванные неадекватным качеством сигнала, помехами электромагнитного поля и т.д. ■ механические повреждения изделия (например, отломанная кнопка, падение ...) ■ повреждения, вызванные использованием неподходящих носителей, расходных материалов (батарей) или в результате ненадлежащих условий эксплуатации (напр., высокой температуры окружающей среды, высокой влажности, ударов ...) ■ повреждения, изменения или другое вмешательство в результате самостоятельного ремонта изделия или ремонта, проведенного неуполномоченным или неавторизованным лицом (сервисным центром) ■ случаи, когда покупатель не подтвердит правомерность своих прав на гарантийный ремонт (когда и где был приобретен товар, на который распространяется гарантия) ■ случаи, когда данные в предоставленных документах отличаются от информации, содержащейся на изделии ■ случаи, когда изделие, на которое заявлена рекламация, не является тождественным с изделием, указанным в документах, которыми покупатель подтверждает свое право на проведение гарантийного ремонта (напр., повреждение серийного номера или гарантийной пломбы устройства, исправление данных в документах ...)





 **FIELDMANN**<sup>®</sup>  
Home & Garden Performance